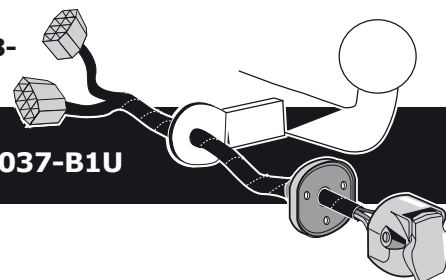


**Audi A4 Sedan (8EC) + A4 Avant (8ED) 2005- / A4 Cabrio (8HE) 2006-
Audi A3 (8P1) 2003- + A3 Sportback (8PA) 2005- / A3 Cabrio (8P7) 2008-
Seat Exeo (3R) 2009- / Exeo ST (3R5) 2009-**

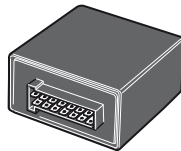
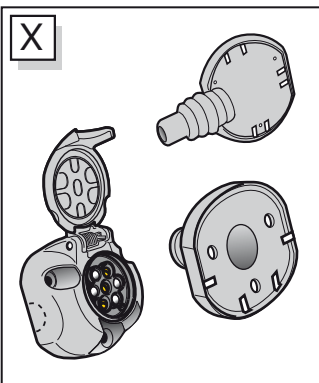
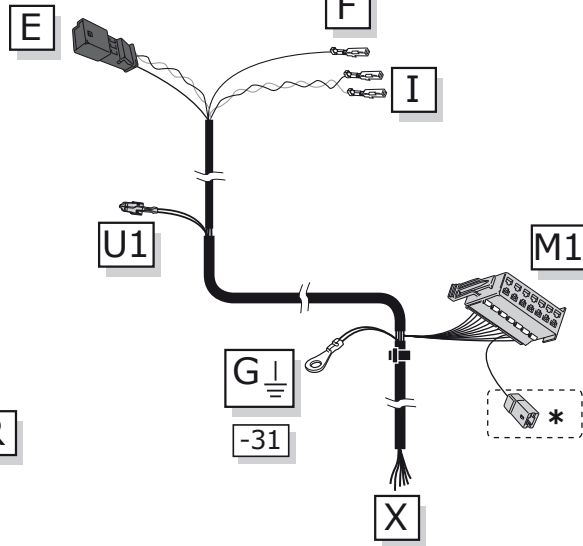
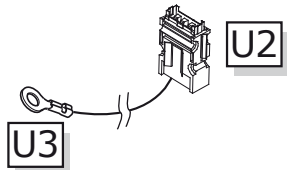
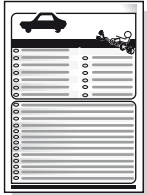
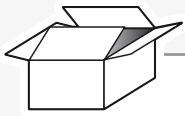


Partnr.: AU-037-B1U

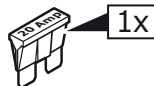
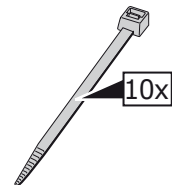
- Fitting instructions electric wiring kit tow bar with 12-N socket up to DIN/ISO Norm 1724.
- We would expressly point out that assembly not carried out properly by a competent installer will result in cancellation of any right to damage compensation, in particular those arising by virtue of the product liability act.
- Contents of these kits and their fitting manuals are subject to alteration without notice, please ensure that these instructions are read and fully understood before commencing installation.
- Do not overload circuits; the maximum loads per connection are detailed in this manual.
- Attention! Before Installation, please read this manual carefully and inform your customer to consult the vehicle owners manual to check for any vehicle modifications required before towing.
- In the event of functional problems, troubleshooting must be limited to about 0.5 hours, contact the technical support:
ukts@ecs-electronics.com / 07440 202 052.



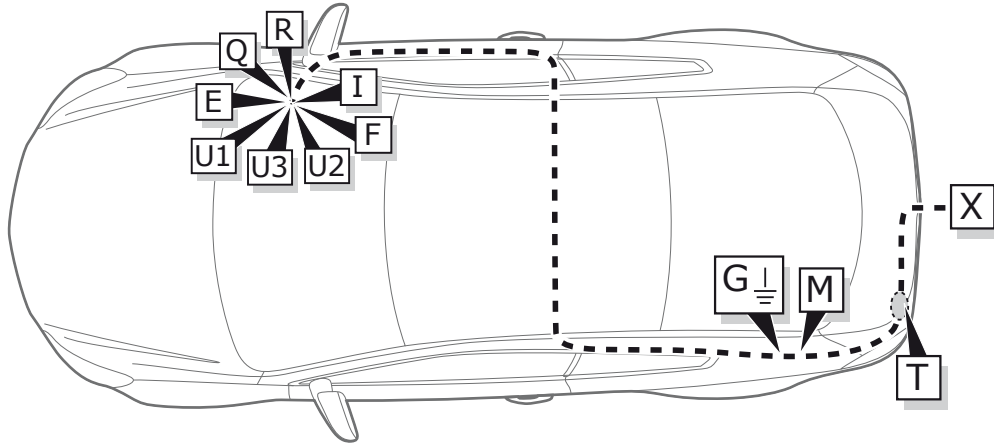
Part list



* Reverse signal preparation
 → **Pag. 22**

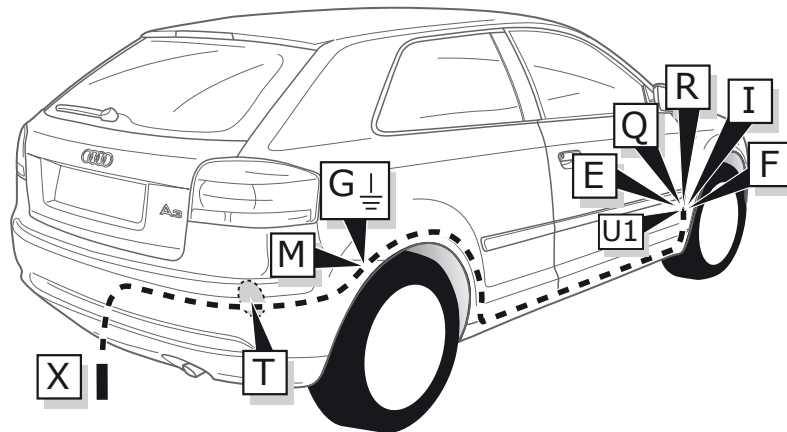


ROUTING



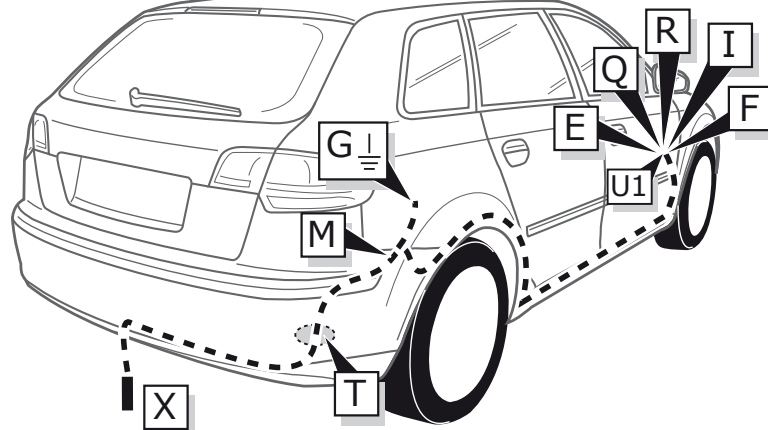
A3

ROUTING



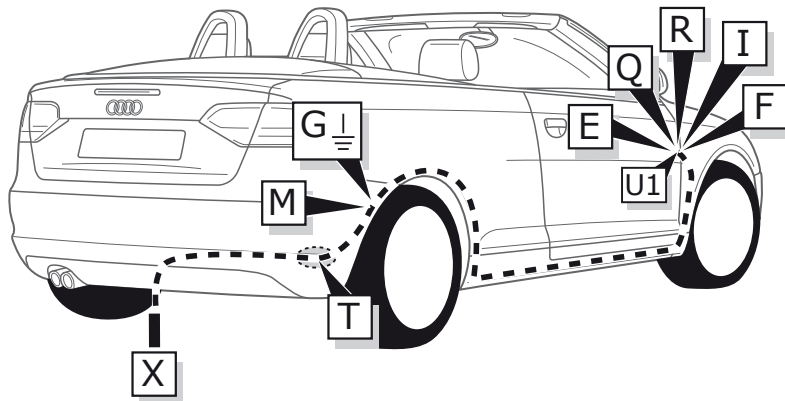
A3 Sportback

ROUTING



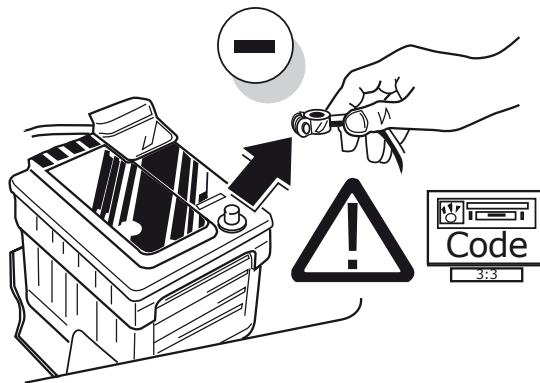
A3 Cabrio

ROUTING



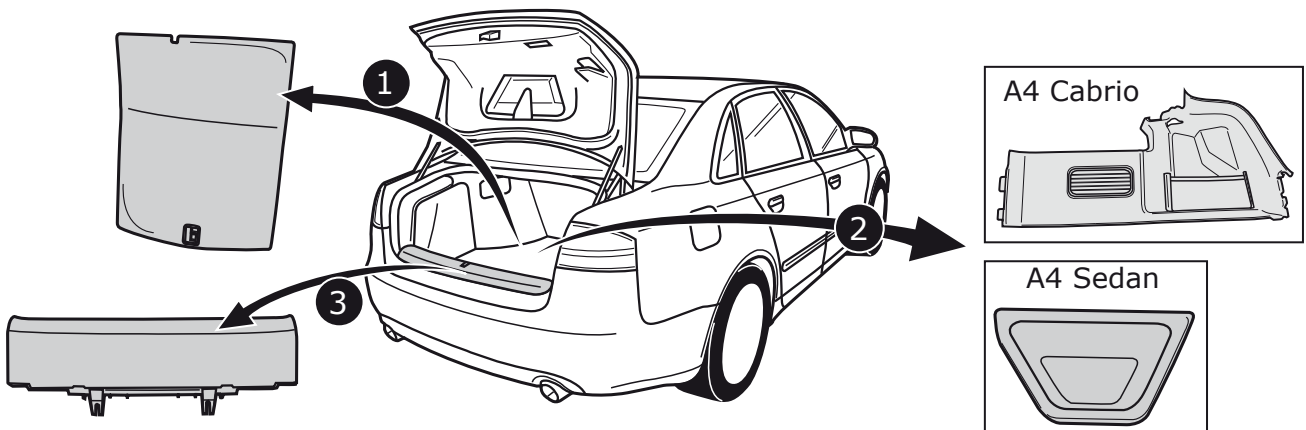
A4 Sedan / A4 Cabrio / A4 Avant / A3 / A3 Cabrio / A3 Sportback / Exeo / Exeo ST

1



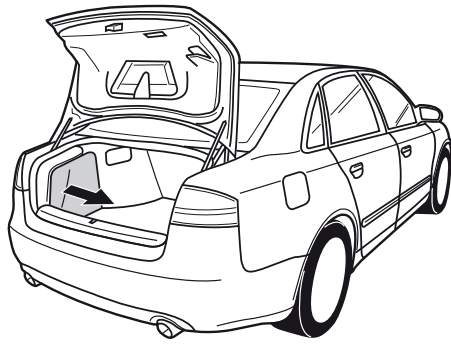
A4 Sedan / A4 Cabrio / Exeo

2



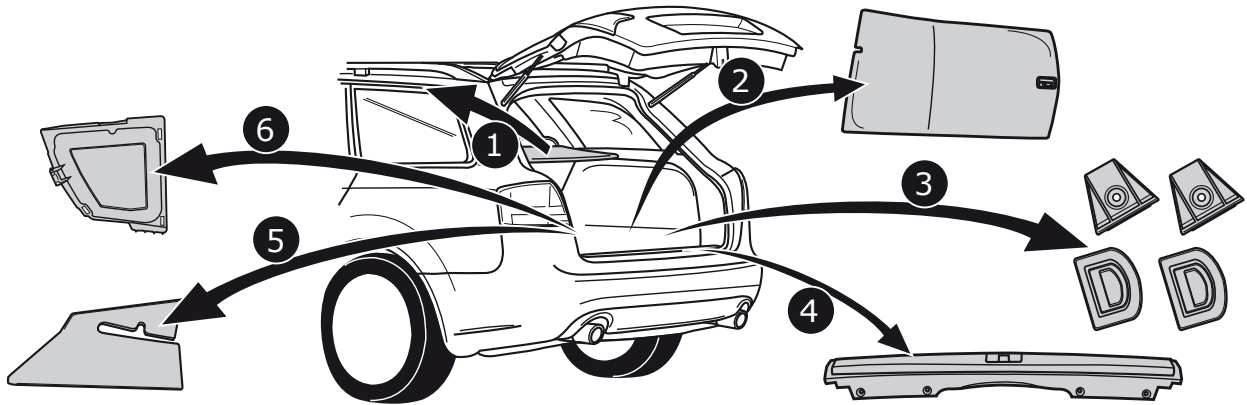
A4 Sedan / A4 Cabrio / Exeo

3



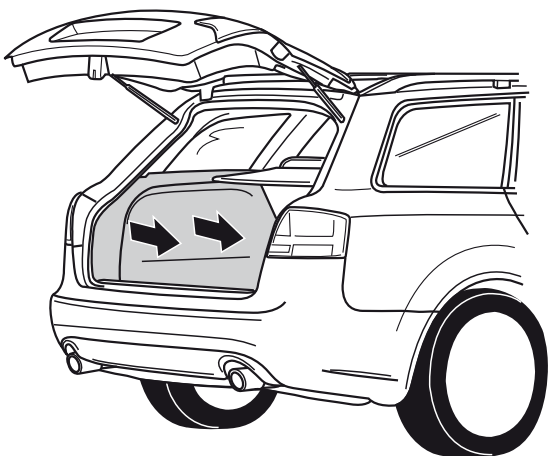
A4 Avant / Exeo ST

4



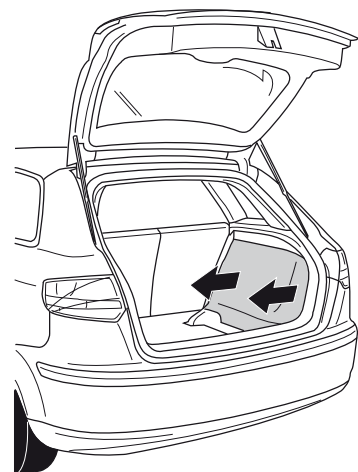
A4 Avant / Exeo ST

5



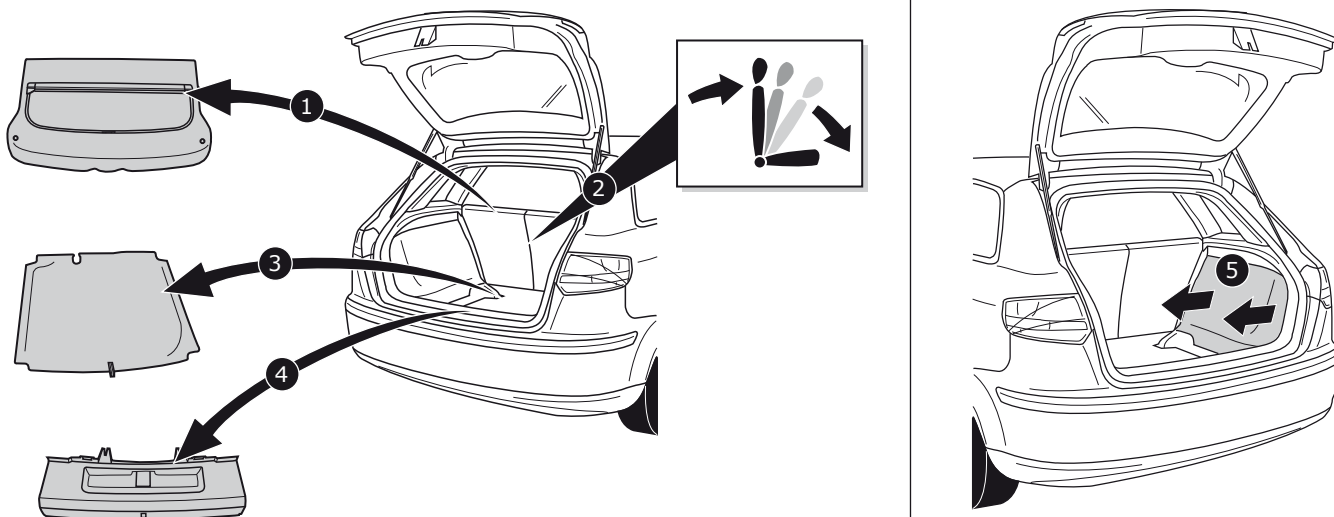
A3

6



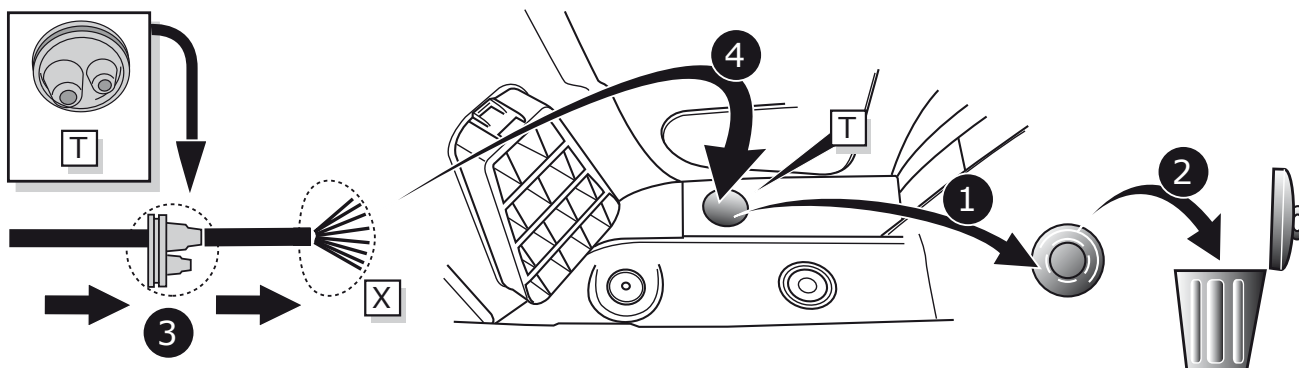
A3 / A3 Cabrio / A3 Sportback

7



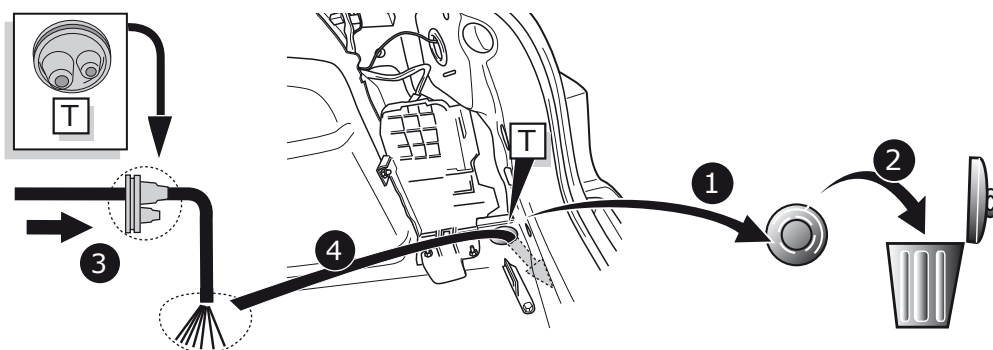
A4 Sedan / A4 Cabrio / A4 Avant / Exeo / Exeo ST

8



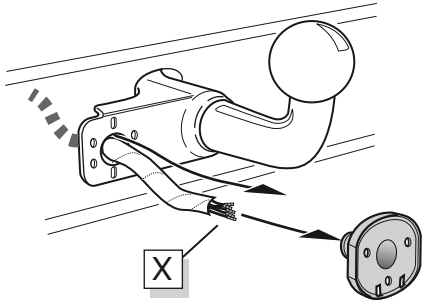
A3 / A3 Sportback / A3 Cabrio

9

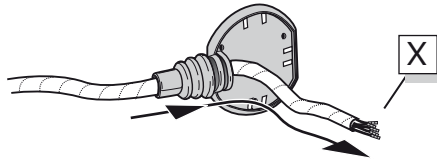


A

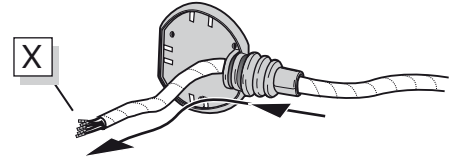
Option 1



Option 2



Option 3



INFO

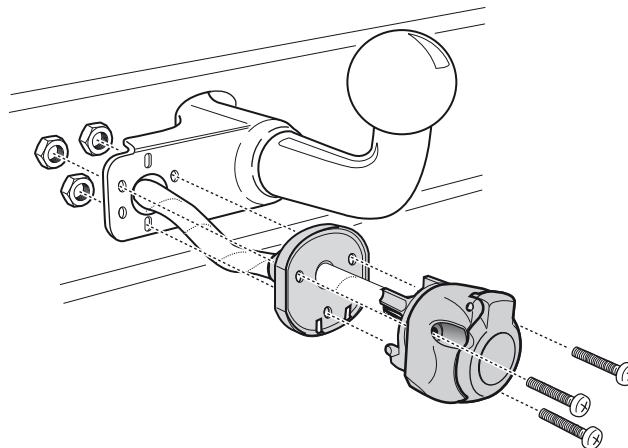
SOCKET CONNECTION

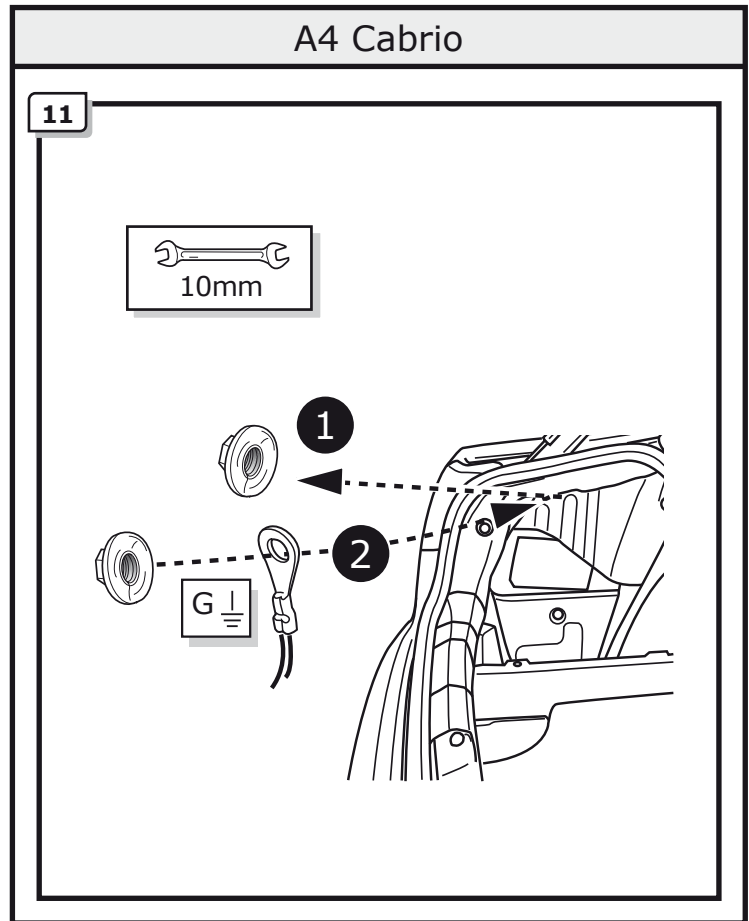
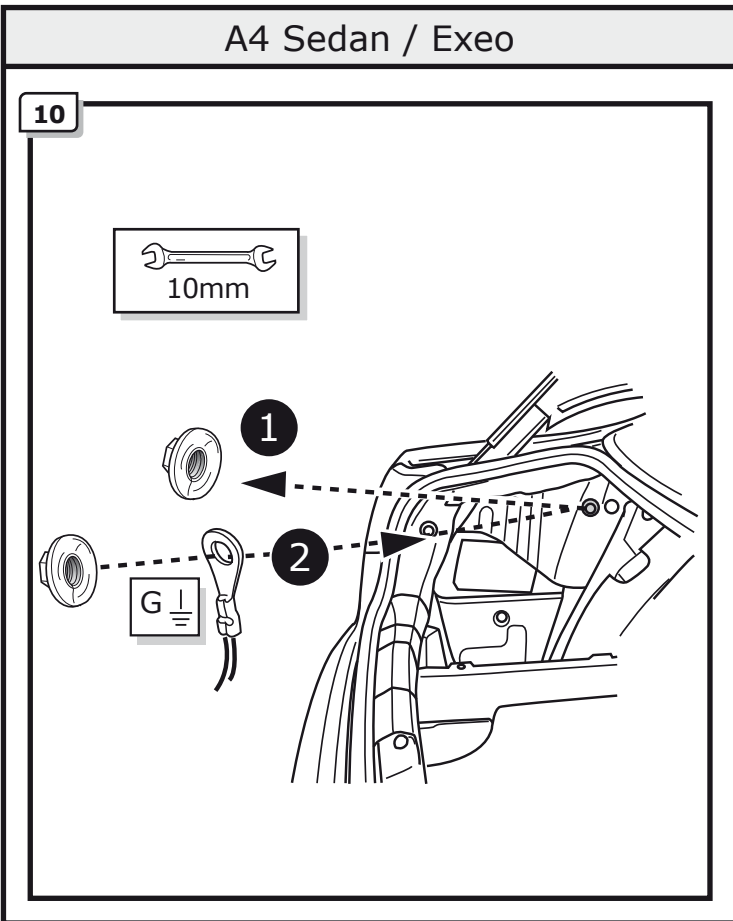
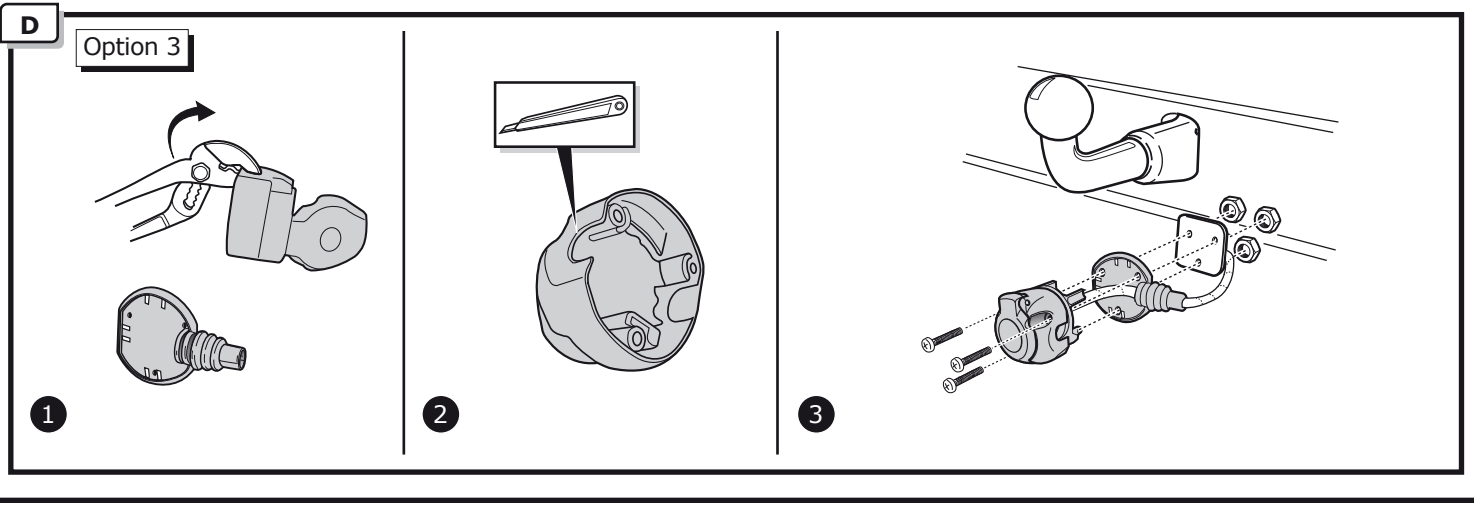
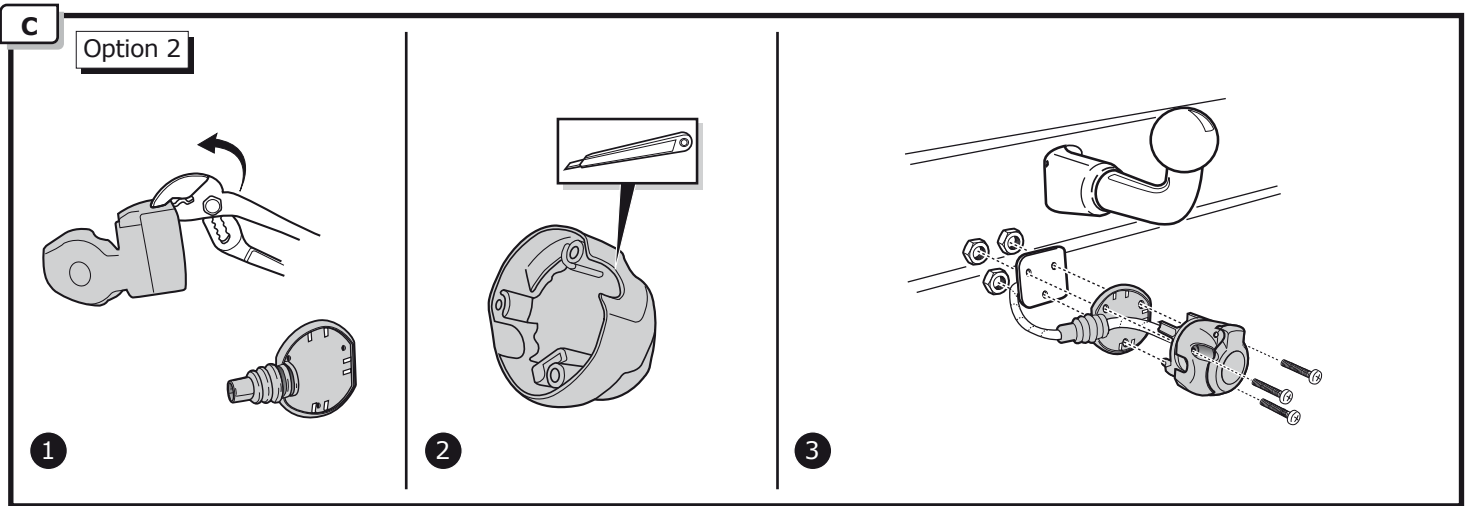


Pag. 21

B

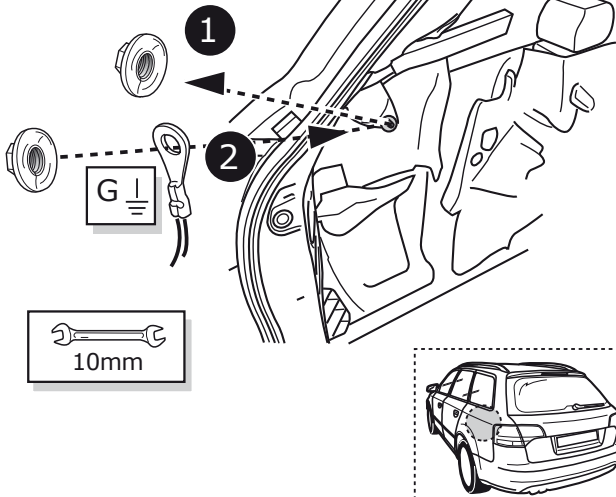
Option 1





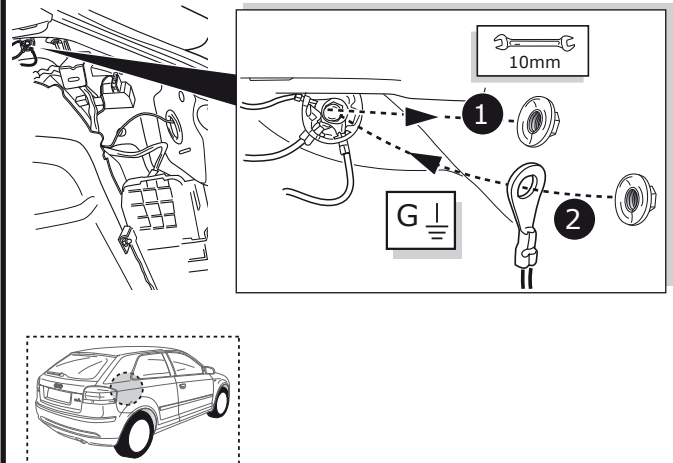
A4 Avant / Exeo ST

12



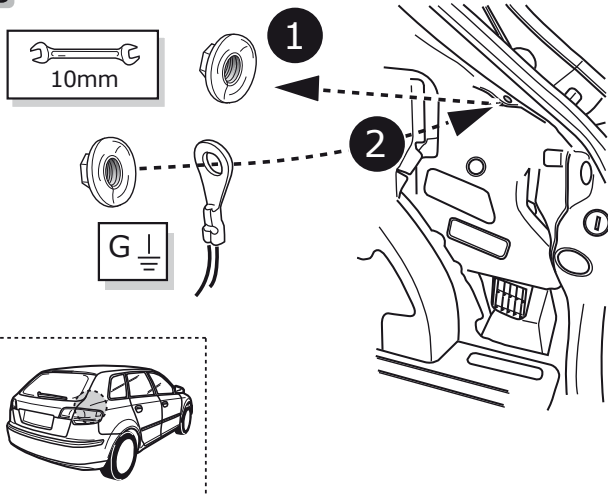
A3

13



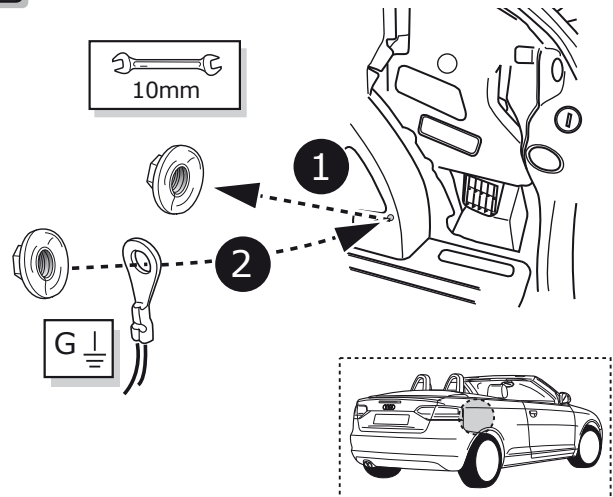
A3 Sportback

14



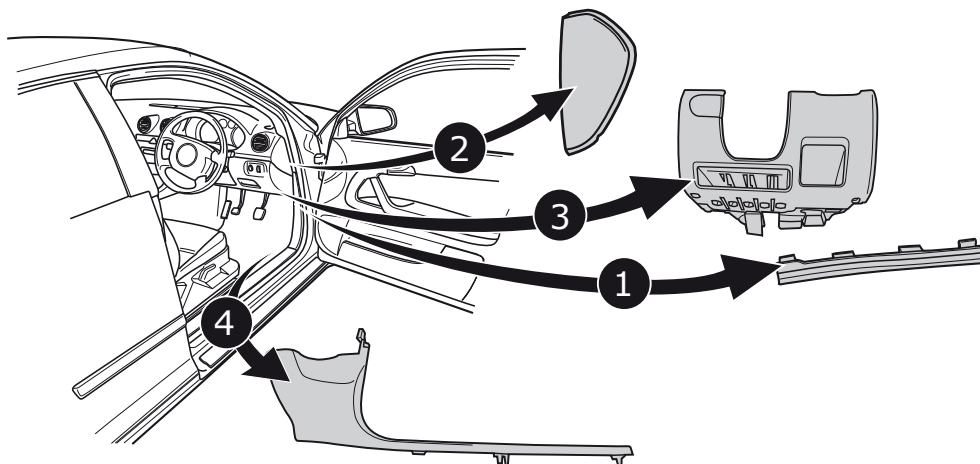
A3 Cabrio

15



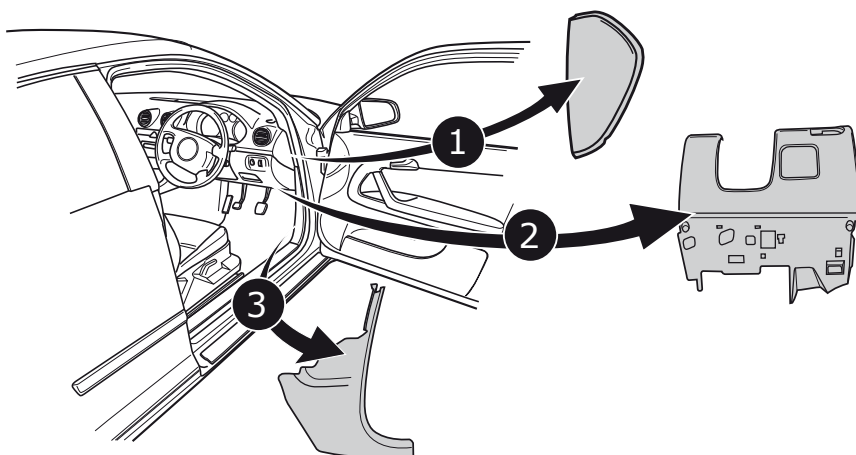
A4 Sedan / A4 Cabrio / A4 Avant / Exeo / Exeo ST

16

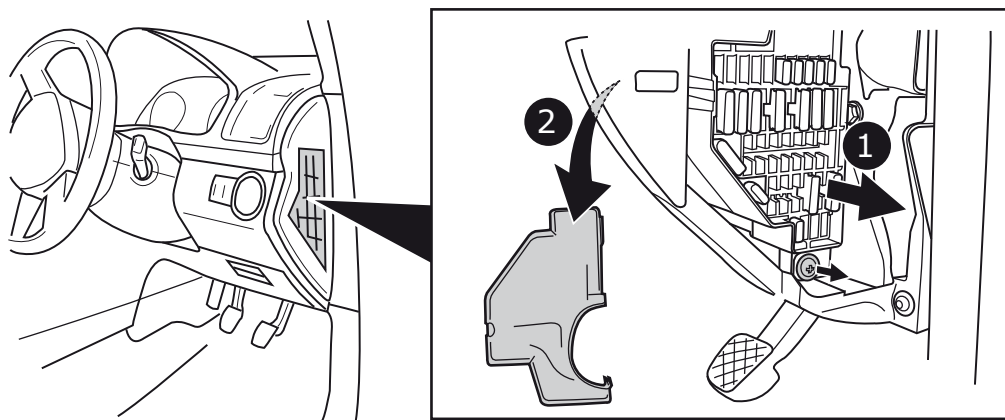


A3 / A3 Sportback / A3 Cabrio

17

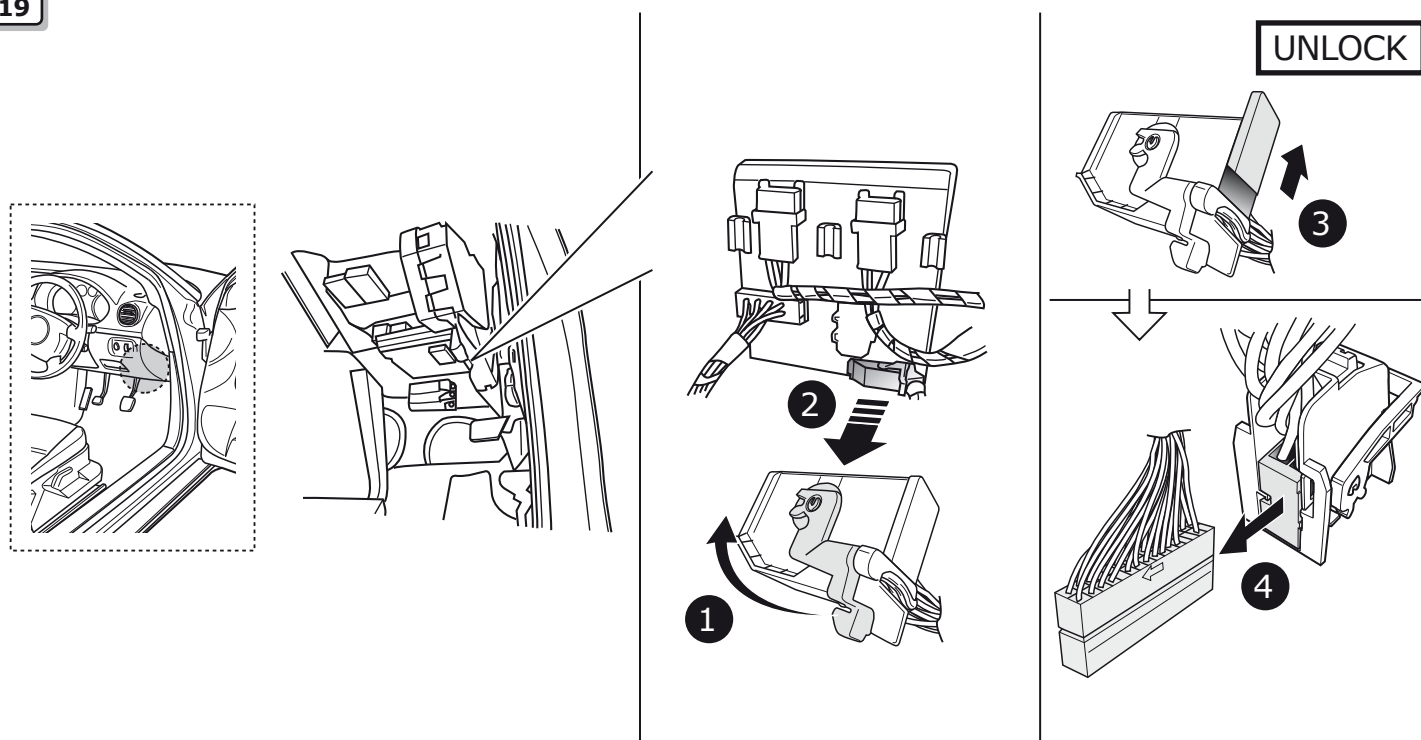


18

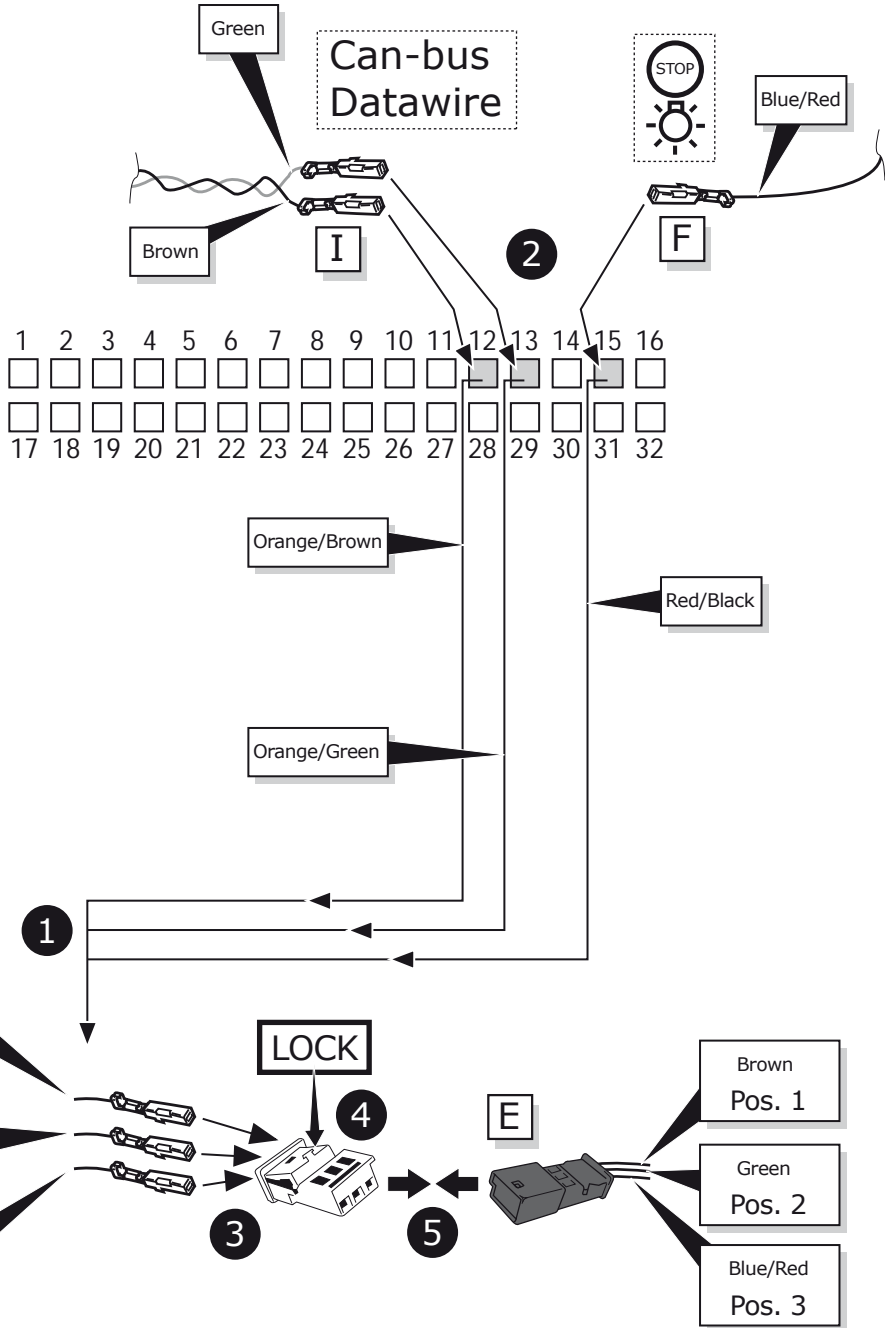
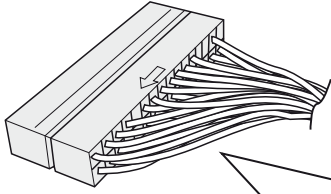


A4 Sedan / A4 Cabrio / A4 Avant / Exeo / Exeo ST

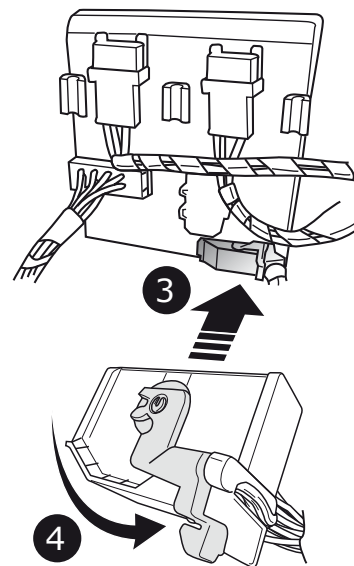
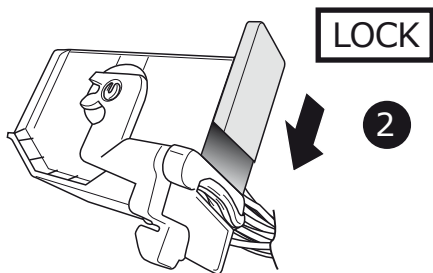
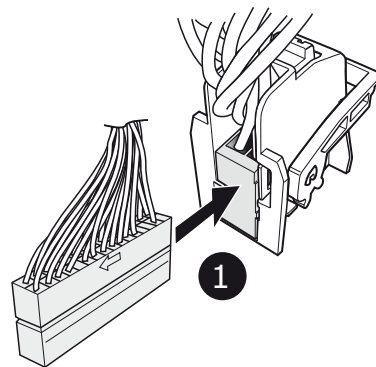
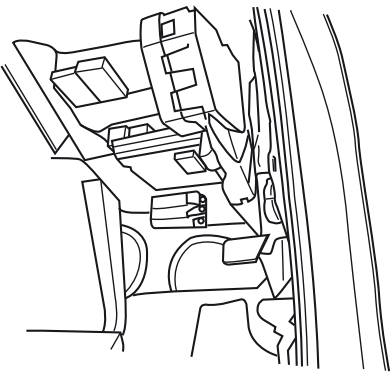
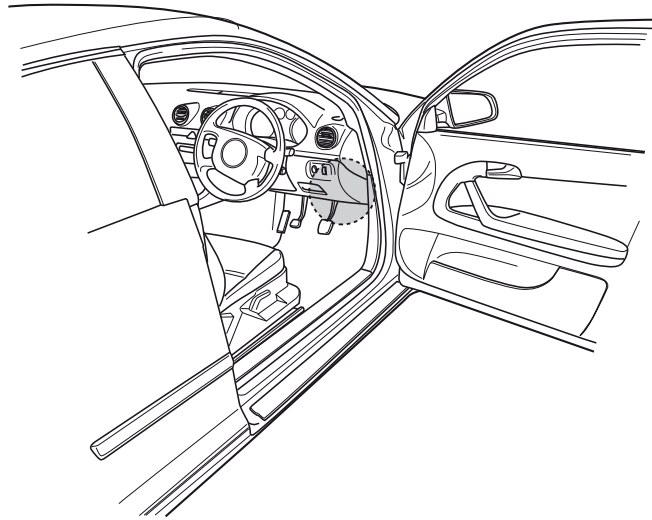
19



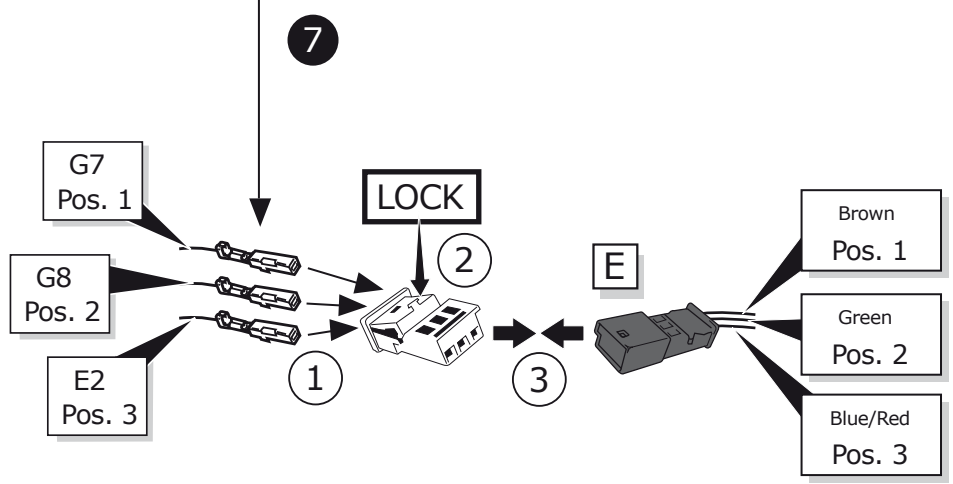
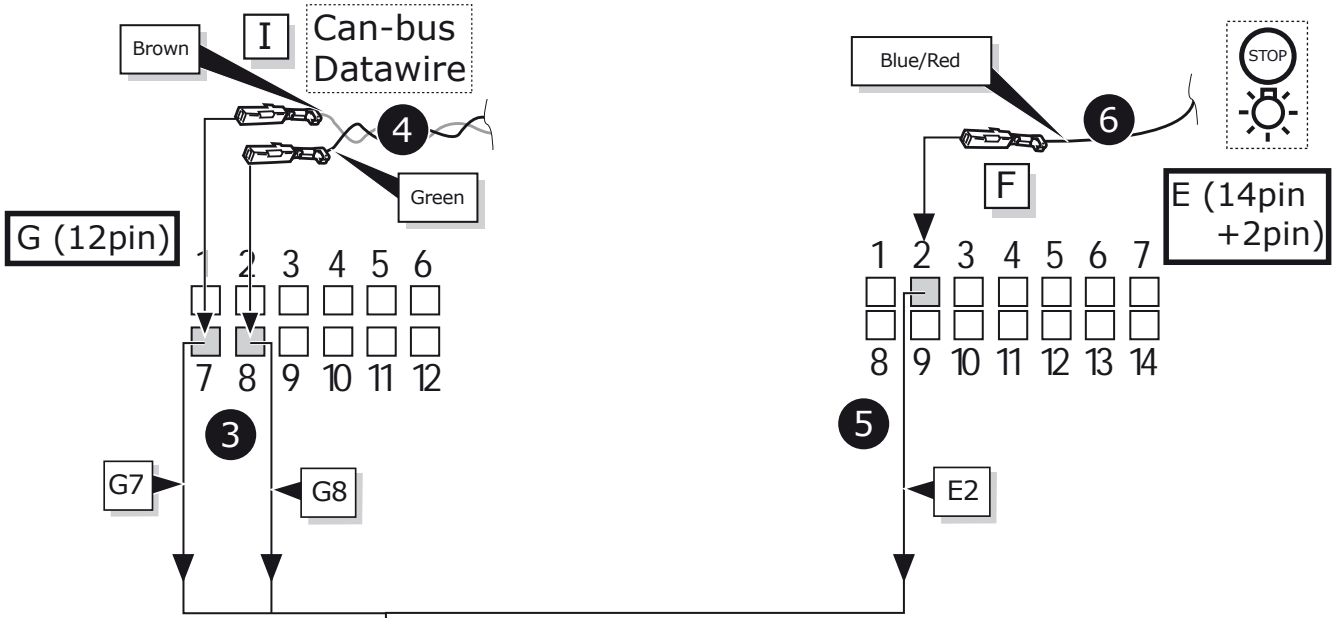
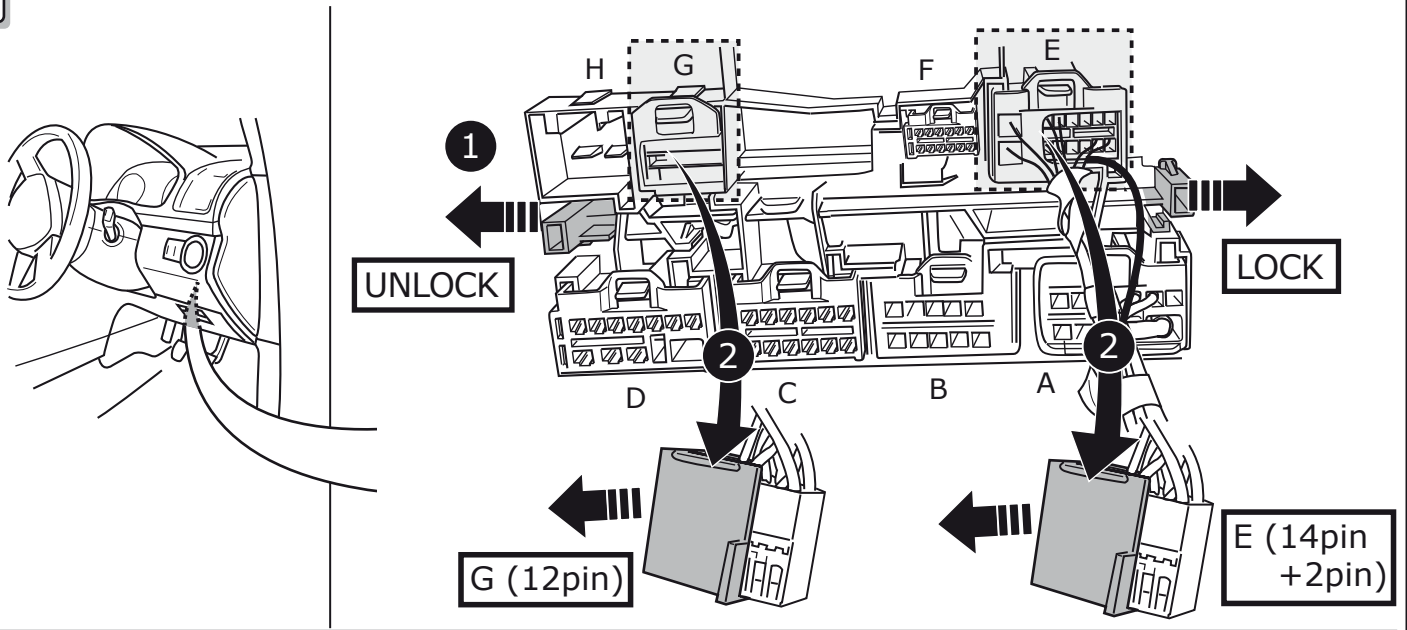
20



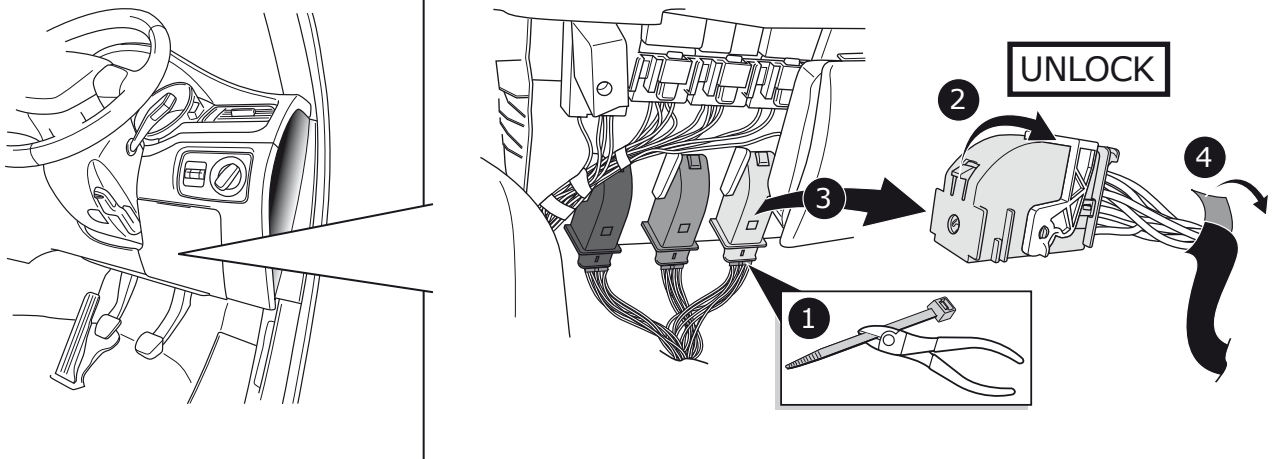
21



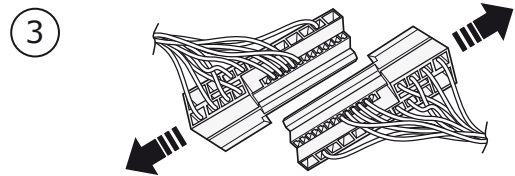
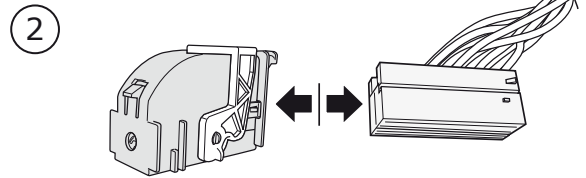
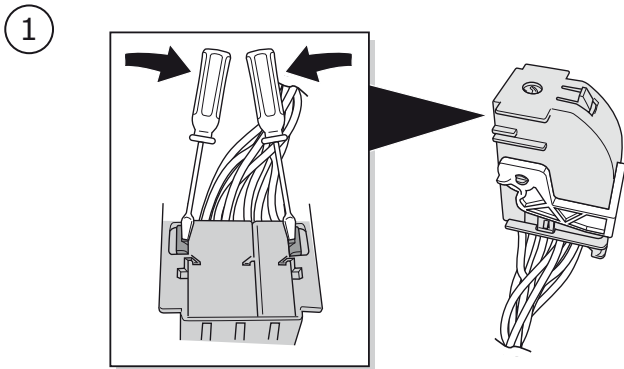
22



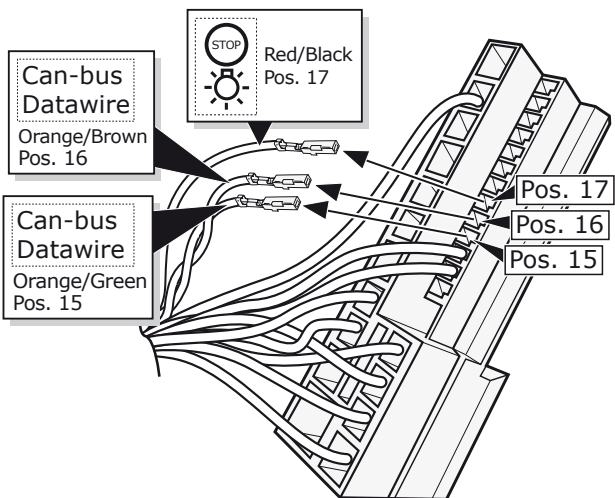
23



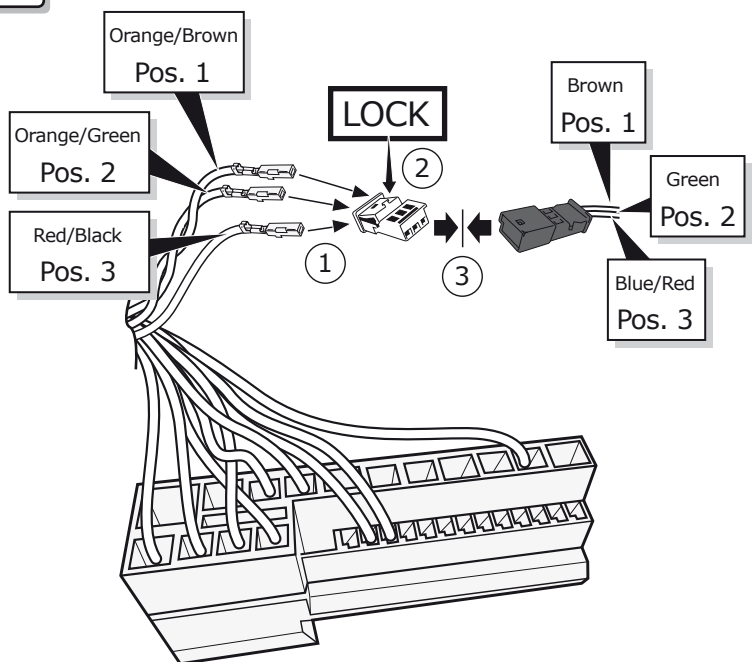
24



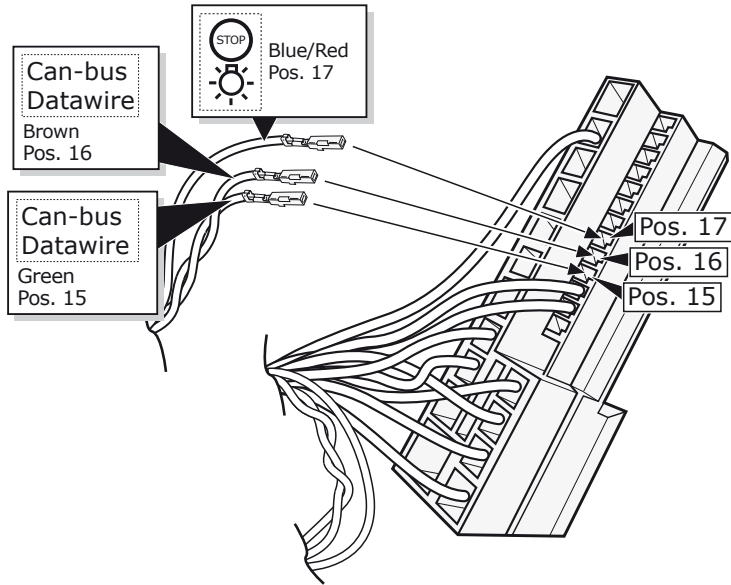
25



26

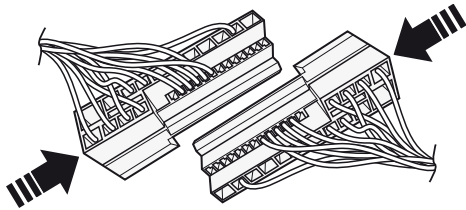


27

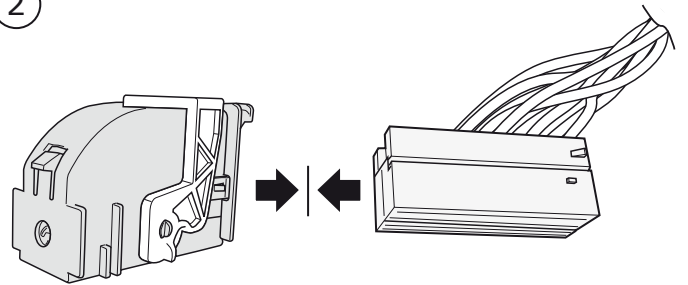


28

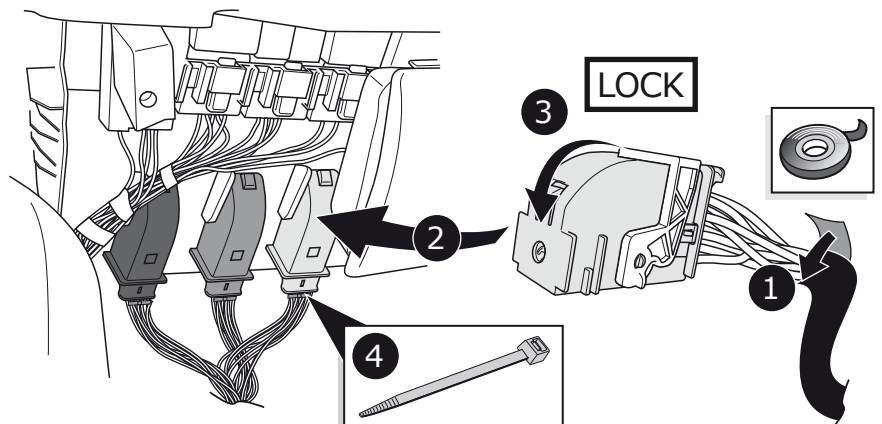
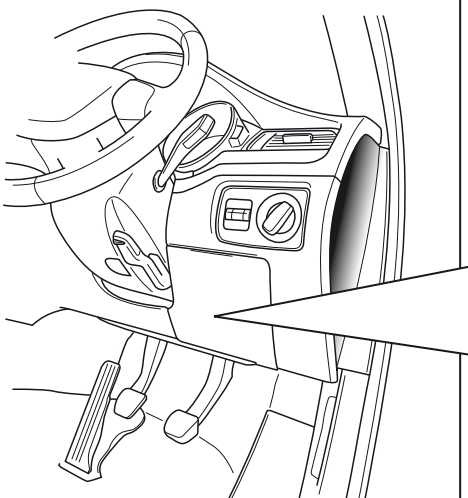
1



2

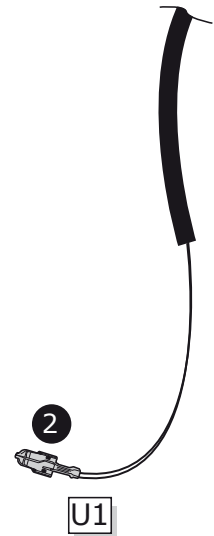
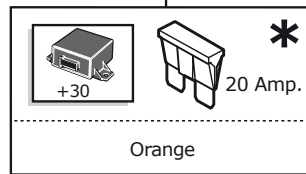
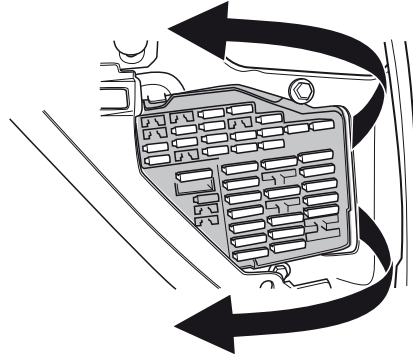
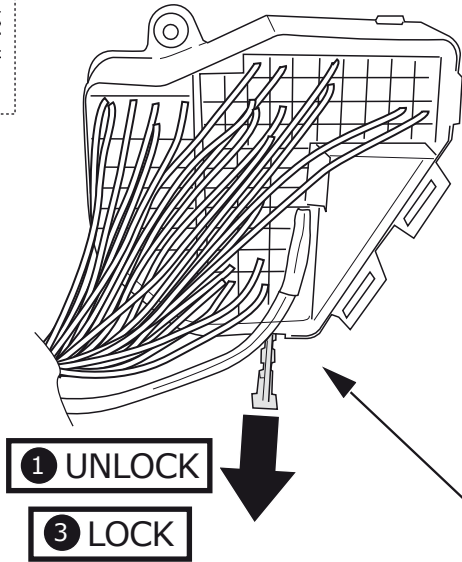
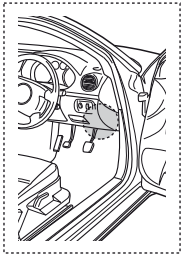


29

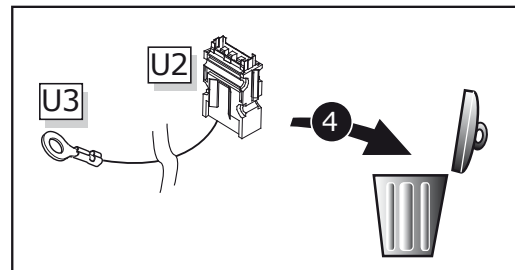


30

OPTION 1

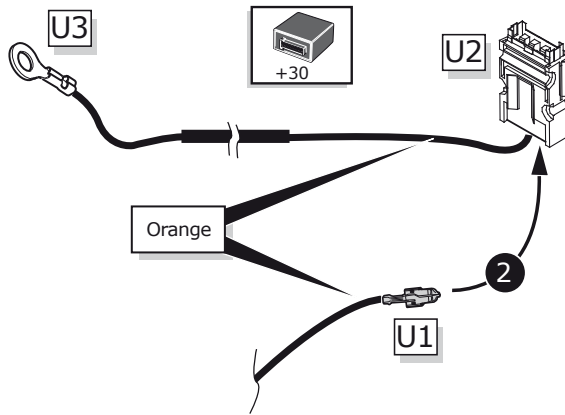


* Pos. free



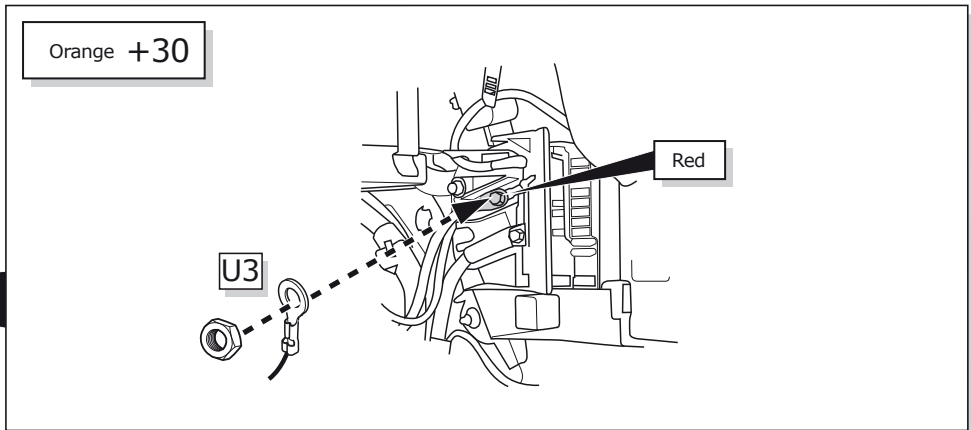
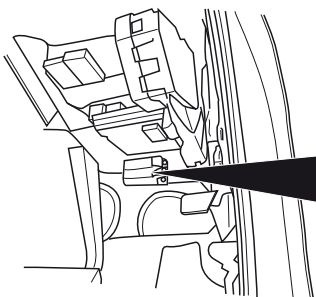
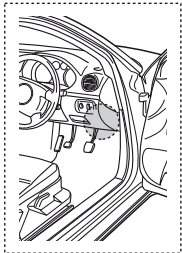
31

OPTION 2



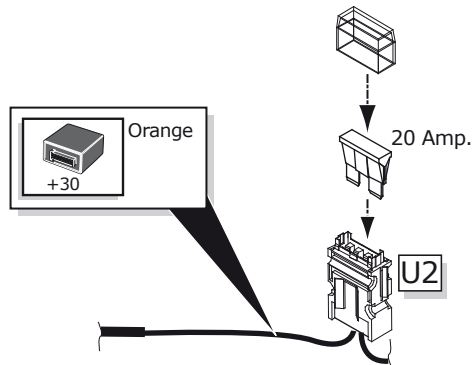
32

OPTION 2

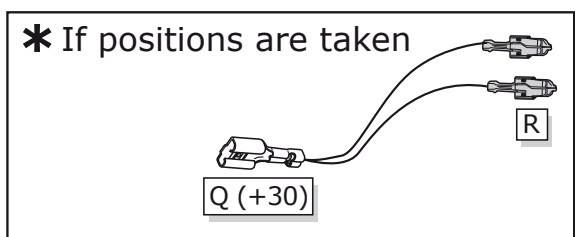
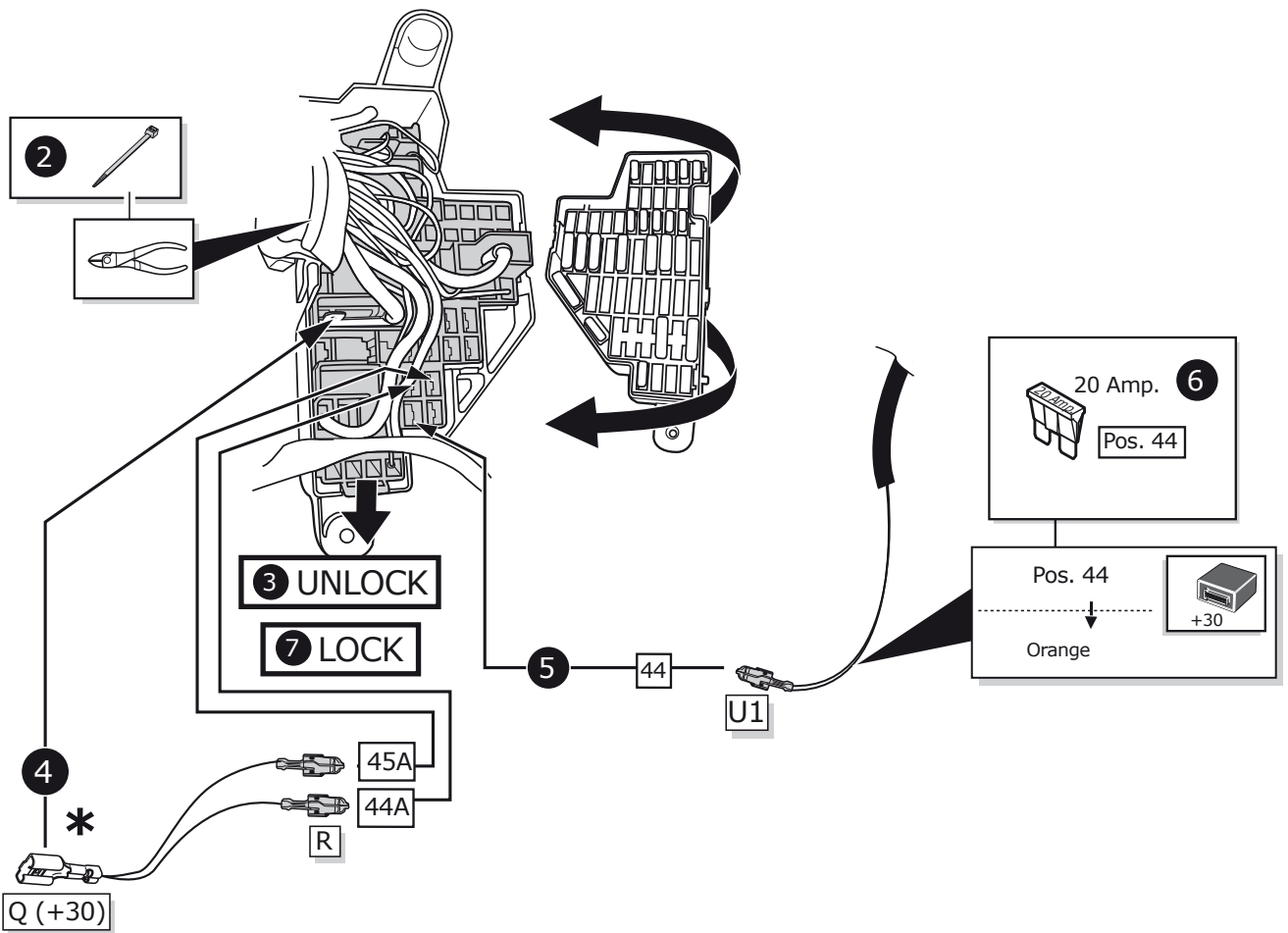
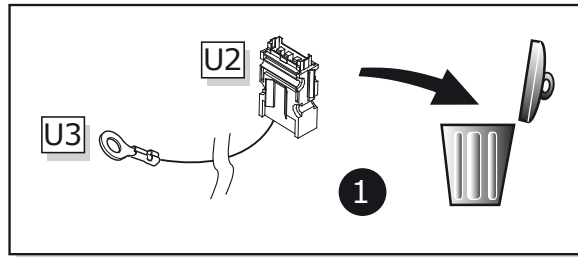
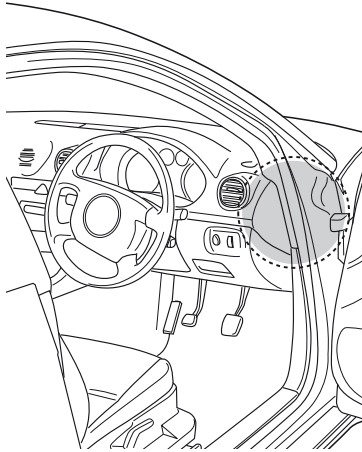


33

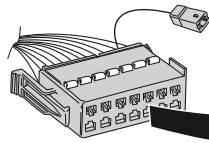
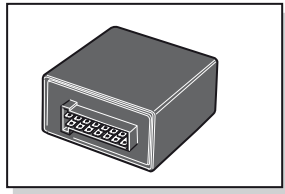
OPTION 2



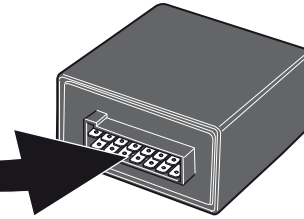
34



35



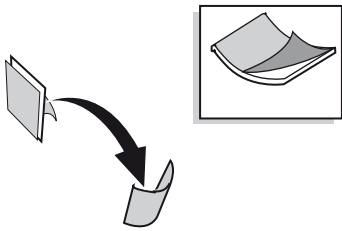
M1



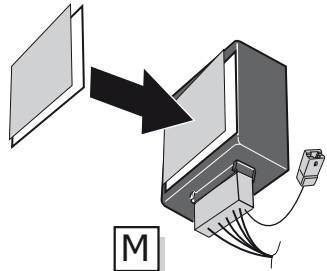
M

36

1

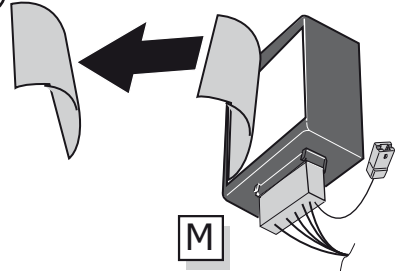


2



M

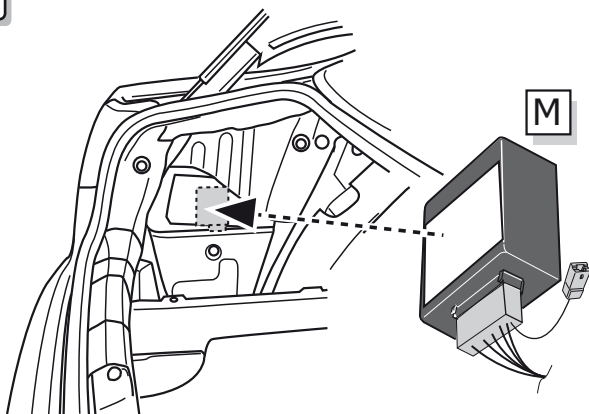
3



M

A4 Sedan / Exeo

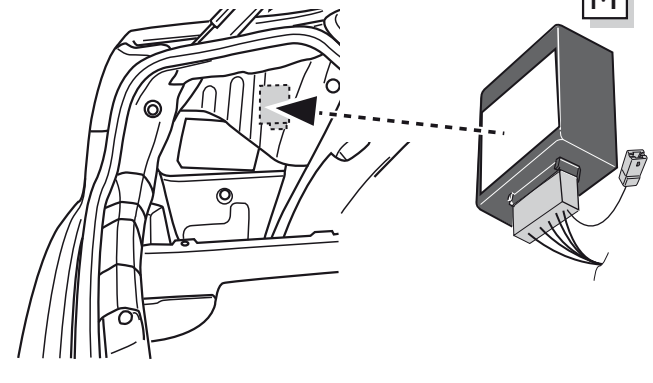
37



M

A4 Cabrio

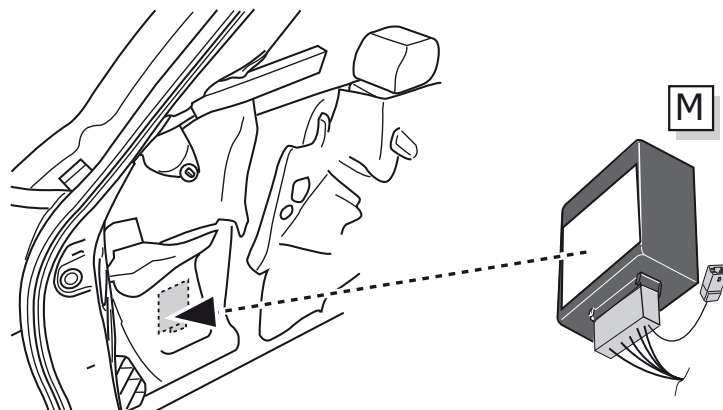
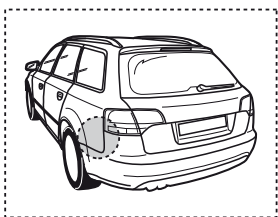
38



M

A4 Avant / Exeo ST

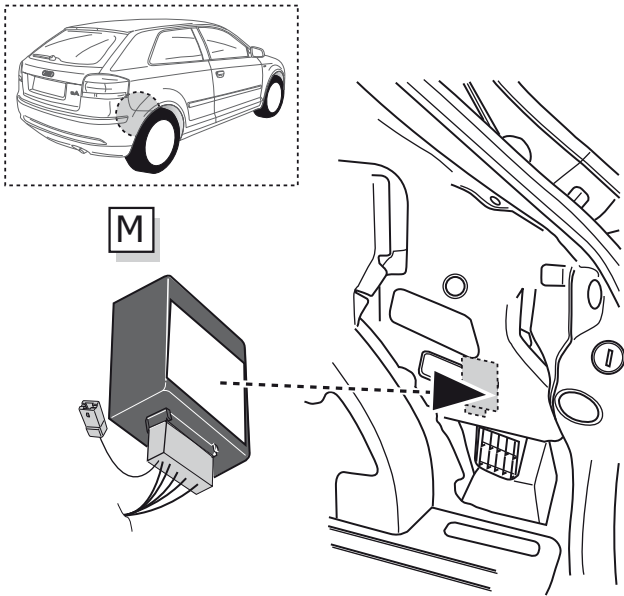
39



M

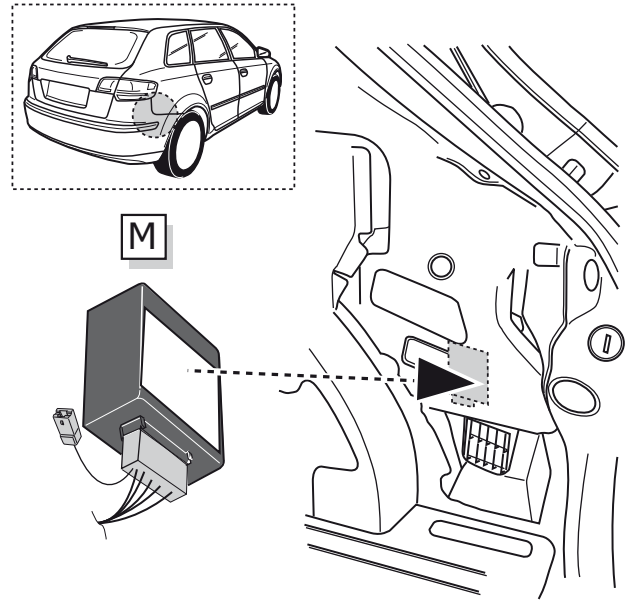
A3

40



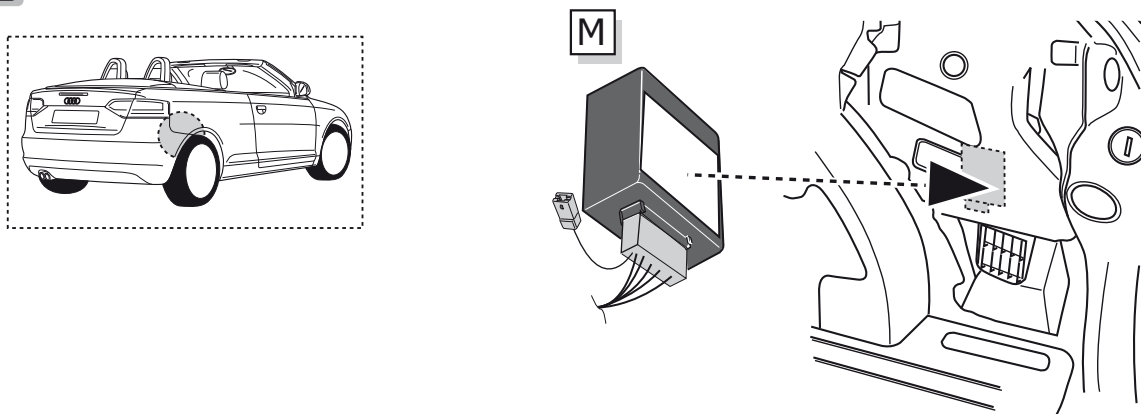
A3 Sportback

41



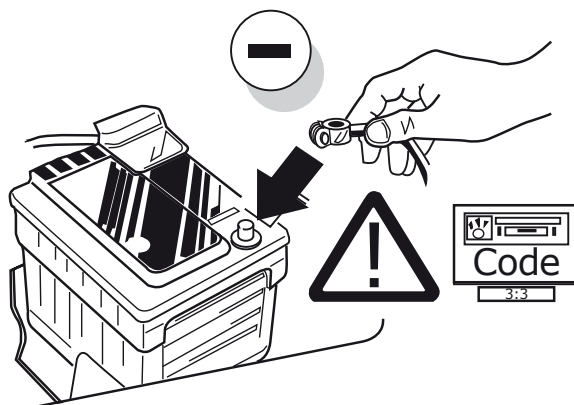
A3 Cabrio

42



A4 Sedan / A4 Cabrio / A4 Avant / A3 / A3 Cabrio / A3 Sportback / Exeo / Exeo ST

43



44

A VAG Service Tester must be used to code the vehicle's Gateway with the additional function for the towing hitch at the dealer.

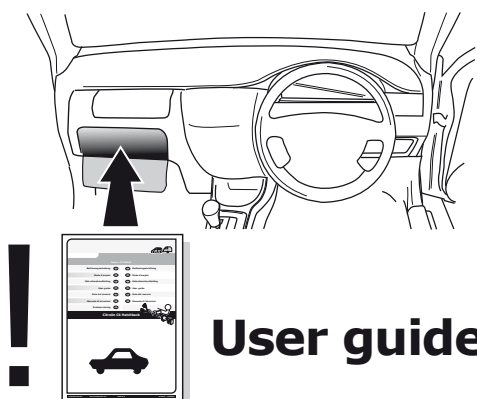
45

! TEST ALL THE CIRCUITS WITH A TEST DEVICE WITH THE CORRECT POWER LOAD FOR EACH FUNCTION. A TEST DEVICE WITH LED'S CANNOT BE USED FOR THIS PURPOSE.

INFO

REINSTALL TRIM.

46



User guide



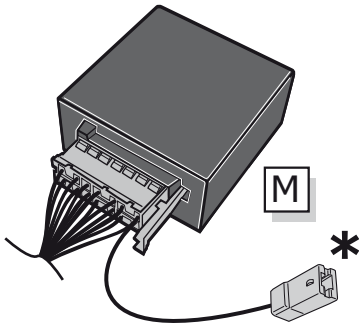
INFO

SOCKET CONNECTION

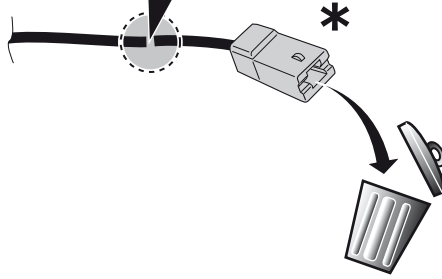
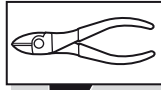
DIN/ISO 1724							
	1/L	2	3/31	4/R	5/58-R	6/54	7/58-L
Pmax	21W	21W		21W	42W	3x21W	42W
Colour	Black/White	Blue	Brown	Black/Green	Grey/Red	Black/Red	Grey/Black

Reverse signal preparation

A



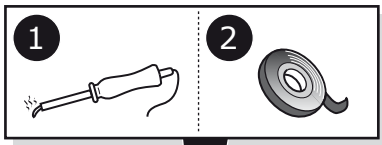
1



2



B



⚠ MAX = 21W