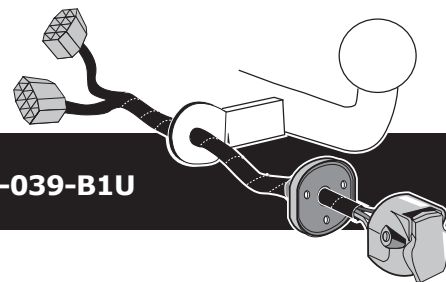


Audi A6 Sedan (4G) 2011- -12/2014

Audi A7 Sportback (4G) 2010- -12/2014

Audi A6 Avant (4G5) 2012- -12/2014

Audi A6 Avant Allroad (4G5) 01/2012- -12/2014

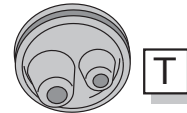
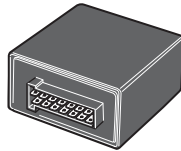
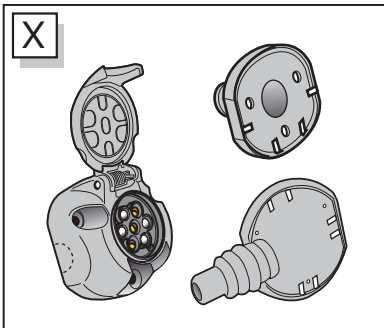
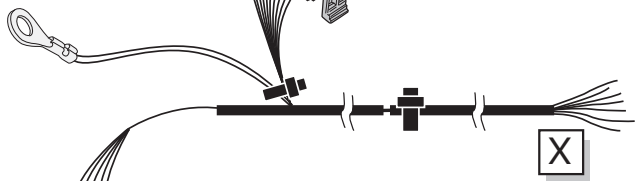
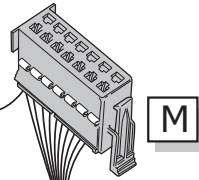
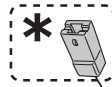
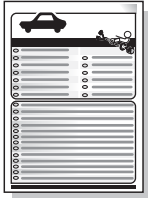
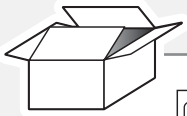


Partnr.: AU-039-B1U

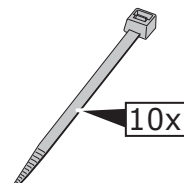
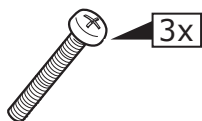
- Fitting instructions electric wiring kit tow bar with 12-N socket up to DIN/ISO Norm 1724.
- We would expressly point out that assembly not carried out properly by a competent installer will result in cancellation of any right to damage compensation, in particular those arising by virtue of the product liability act.
- Contents of these kits and their fitting manuals are subject to alteration without notice, please ensure that these instructions are read and fully understood before commencing installation.
- Do not overload circuits; the maximum loads per connection are detailed in this manual.
- Attention! Before Installation, please read this manual carefully and inform your customer to consult the vehicle owners manual to check for any vehicle modifications required before towing.
- In the event of functional problems, troubleshooting must be limited to about 0.5 hours, contact the technical support:
ukts@ecs-electronics.com / 07440 202 052.



Part list

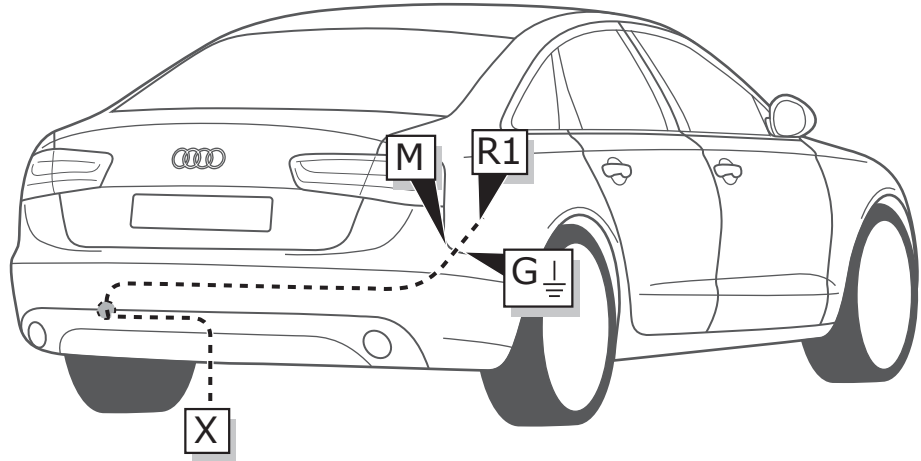


* Reverse signal preparation
▶ **Pag. 11**

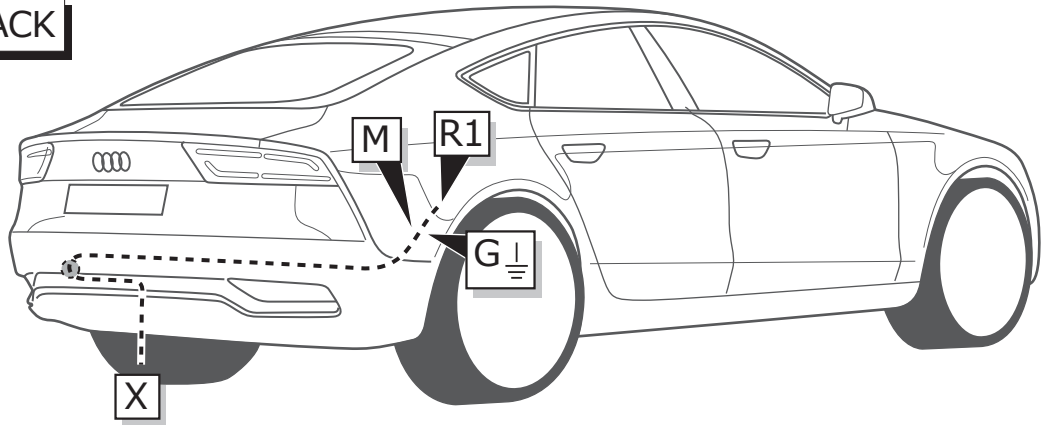


ROUTING

AUDI A6 SEDAN

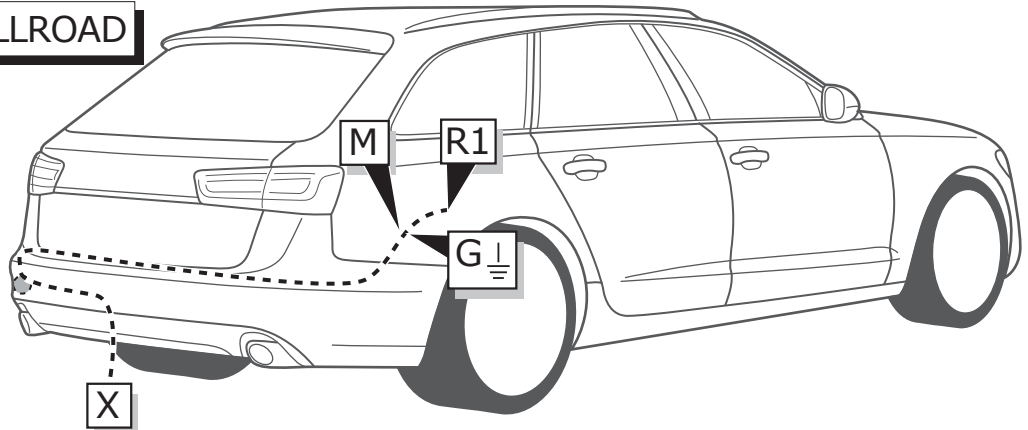


AUDI A7 SPORTBACK

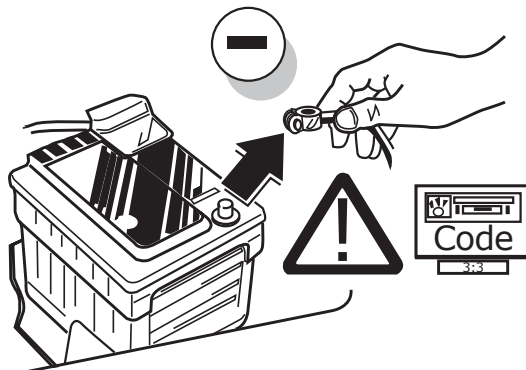


AUDI A6 AVANT ALLROAD

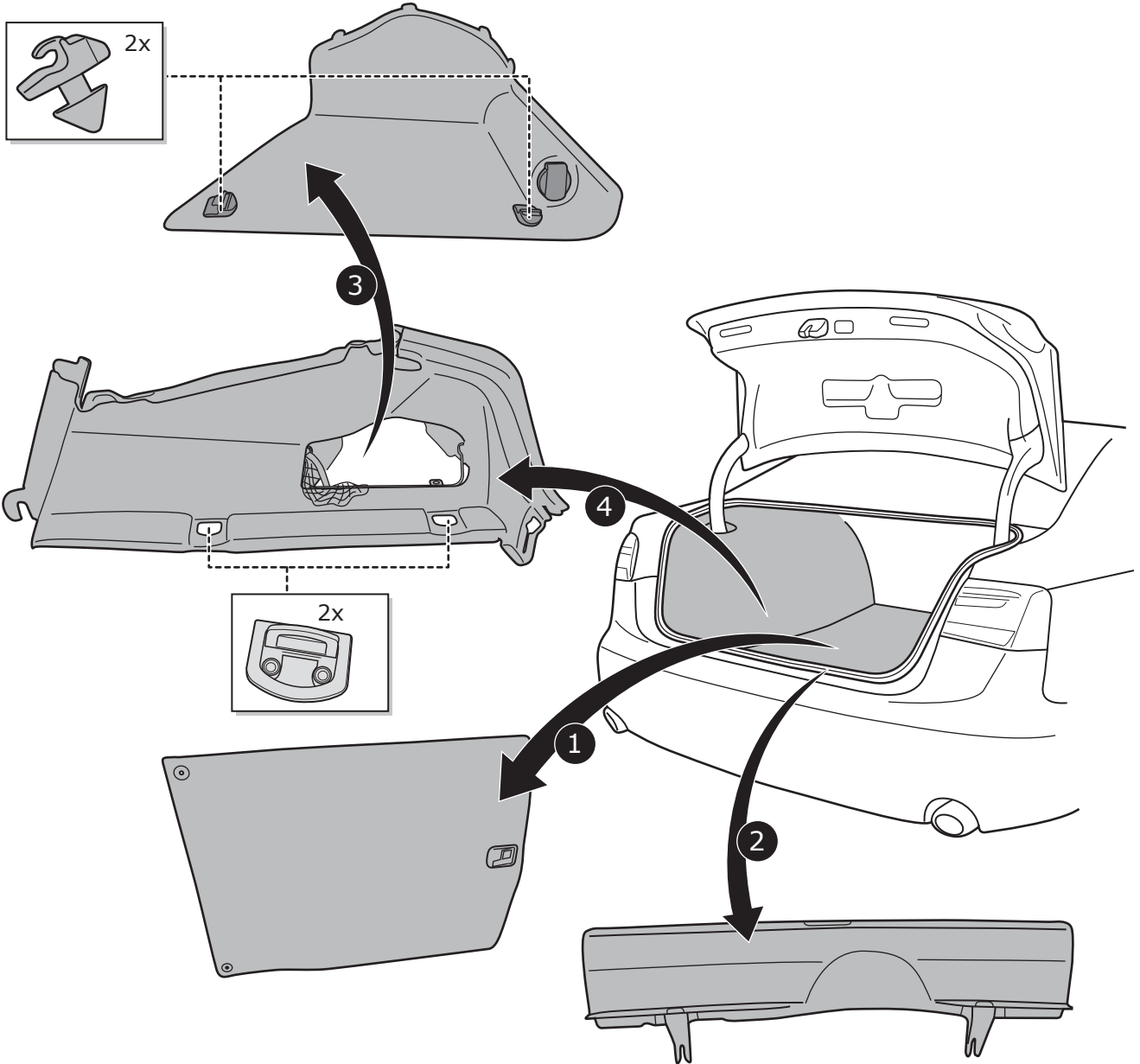
AUDI A6 AVANT



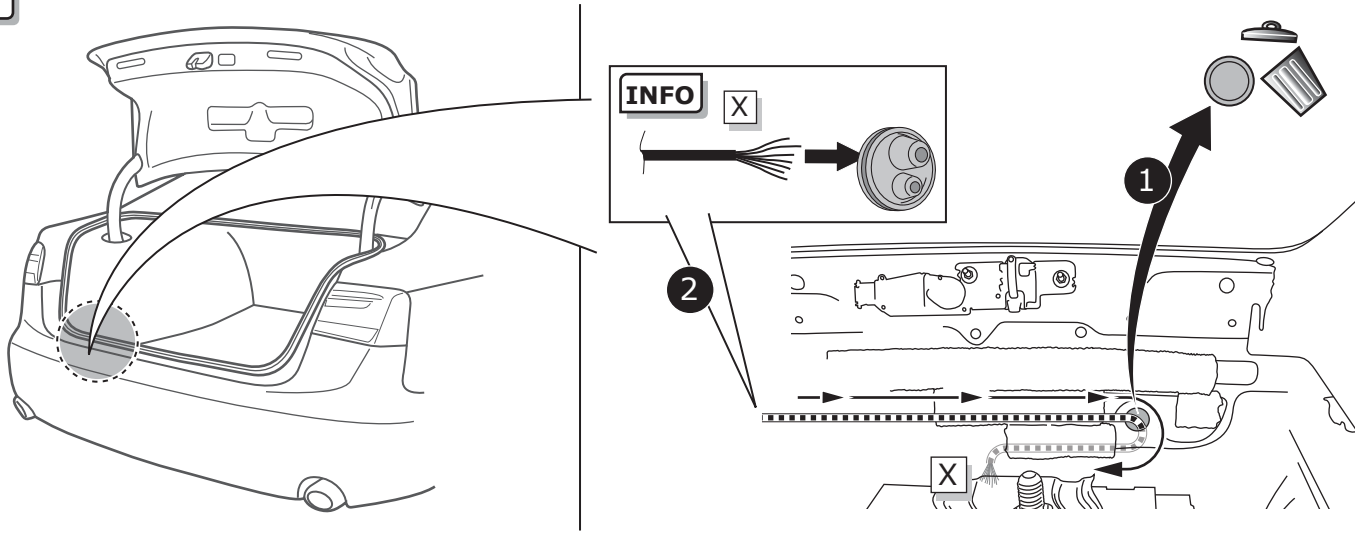
1



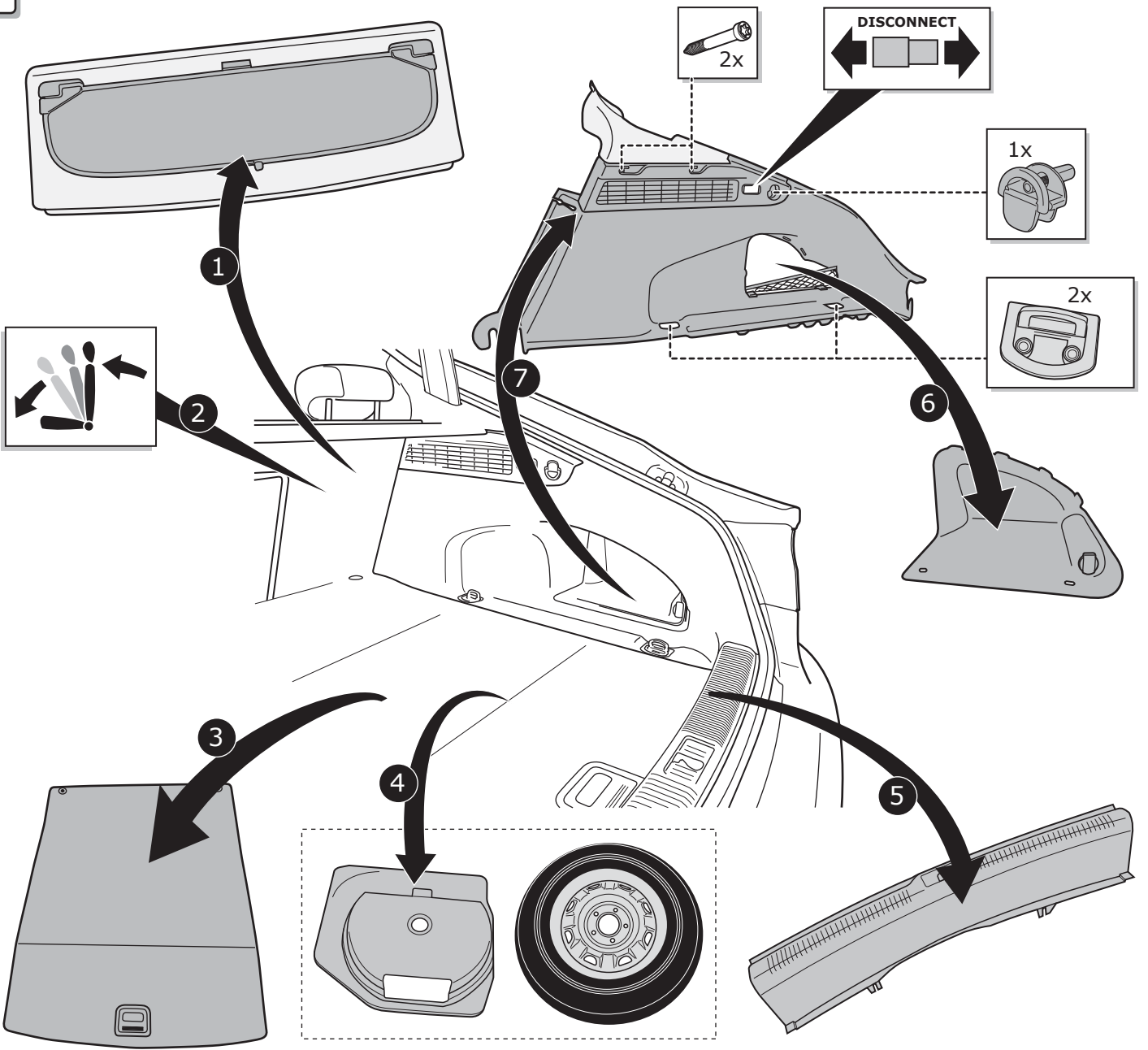
2



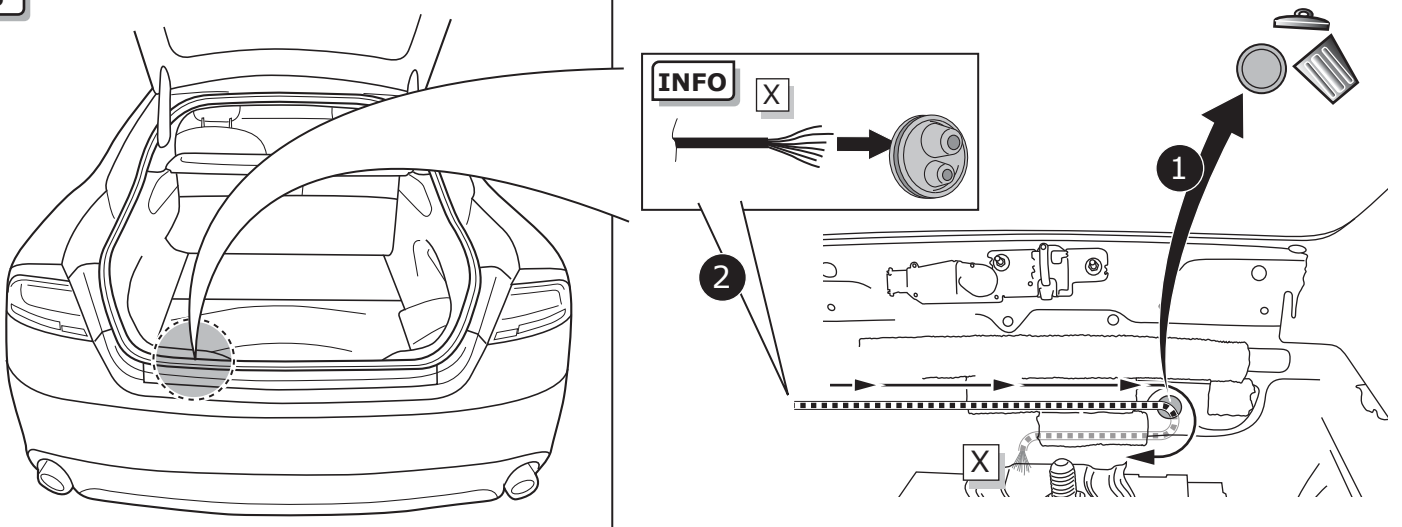
3



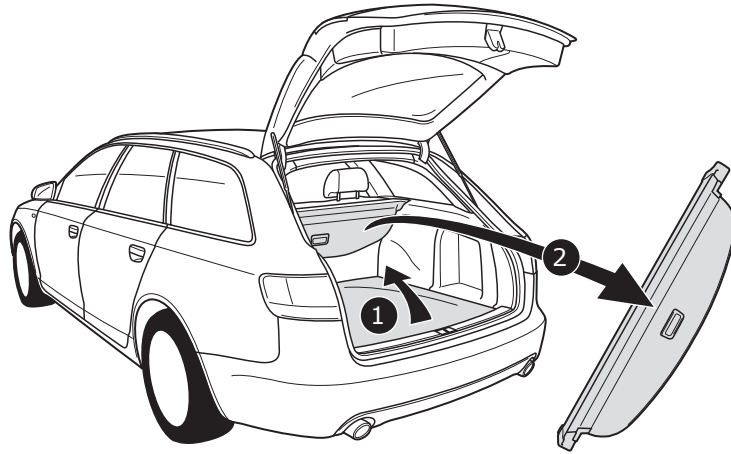
4



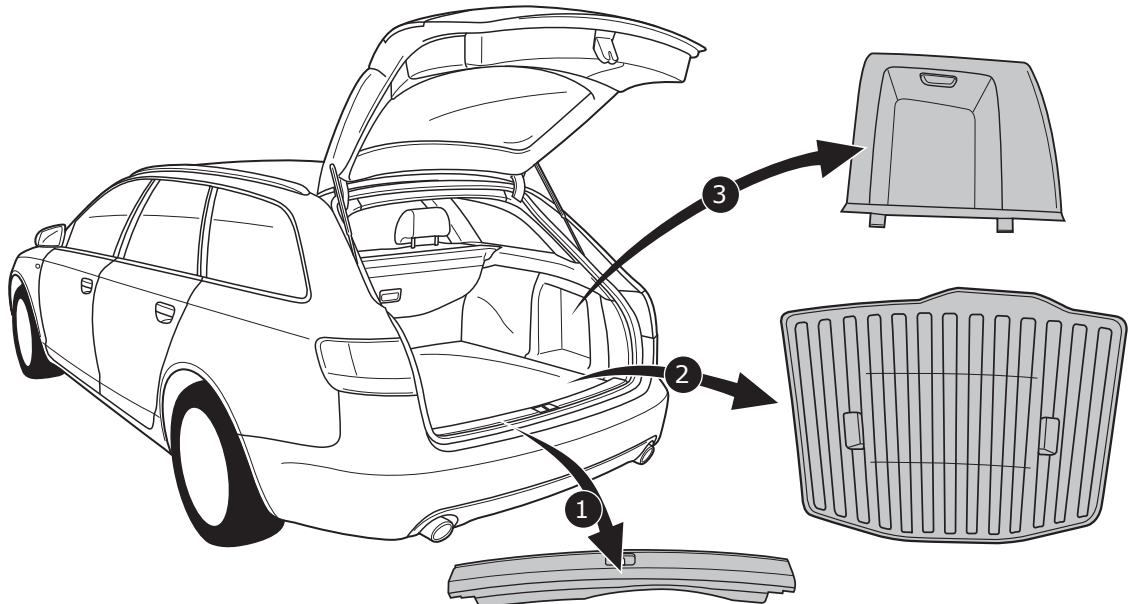
5



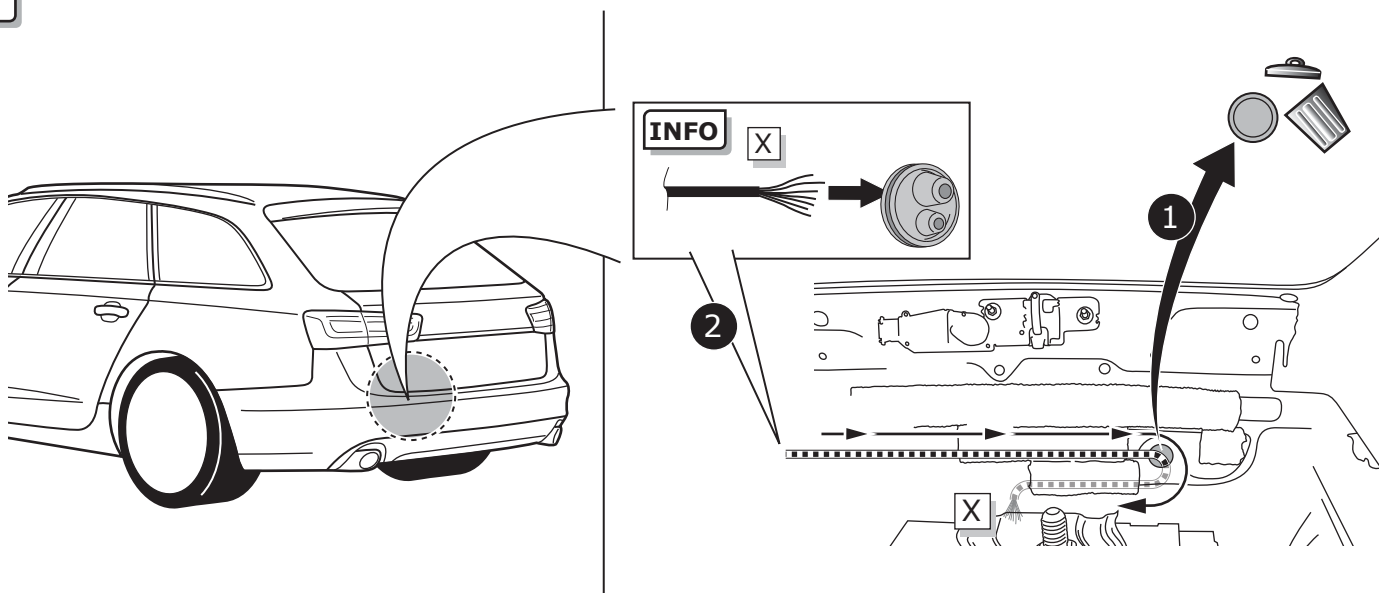
6

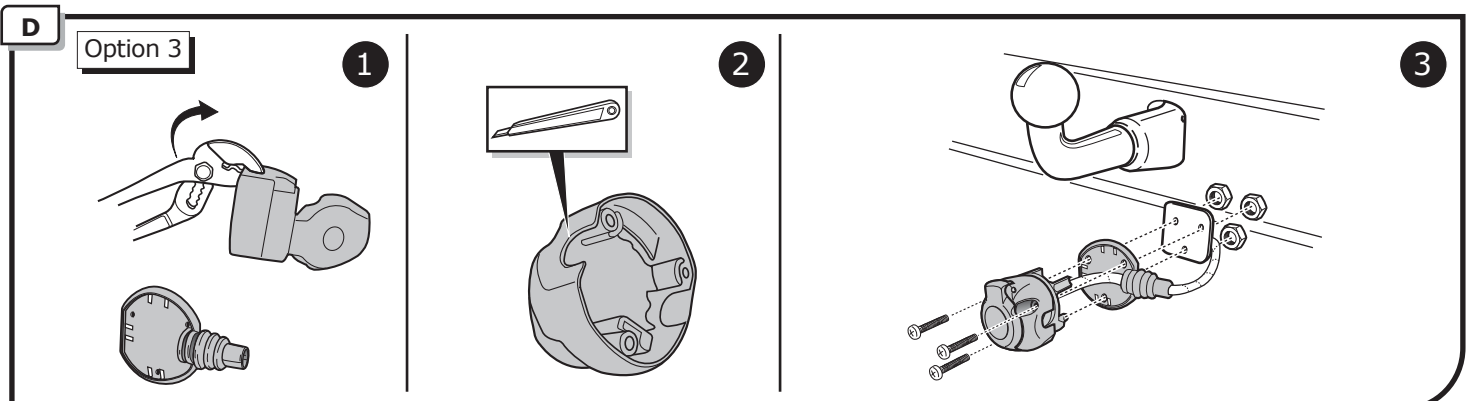
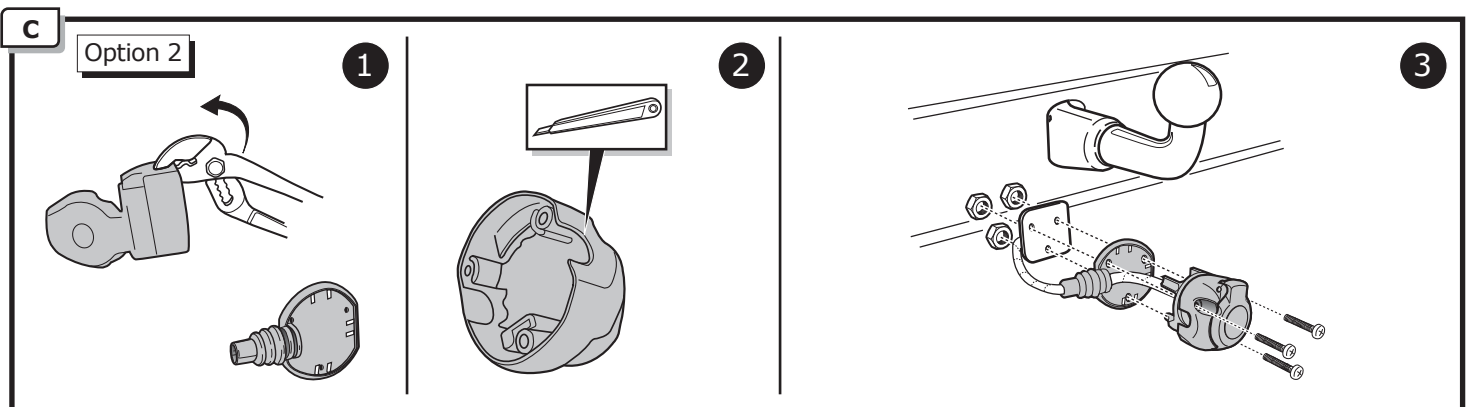
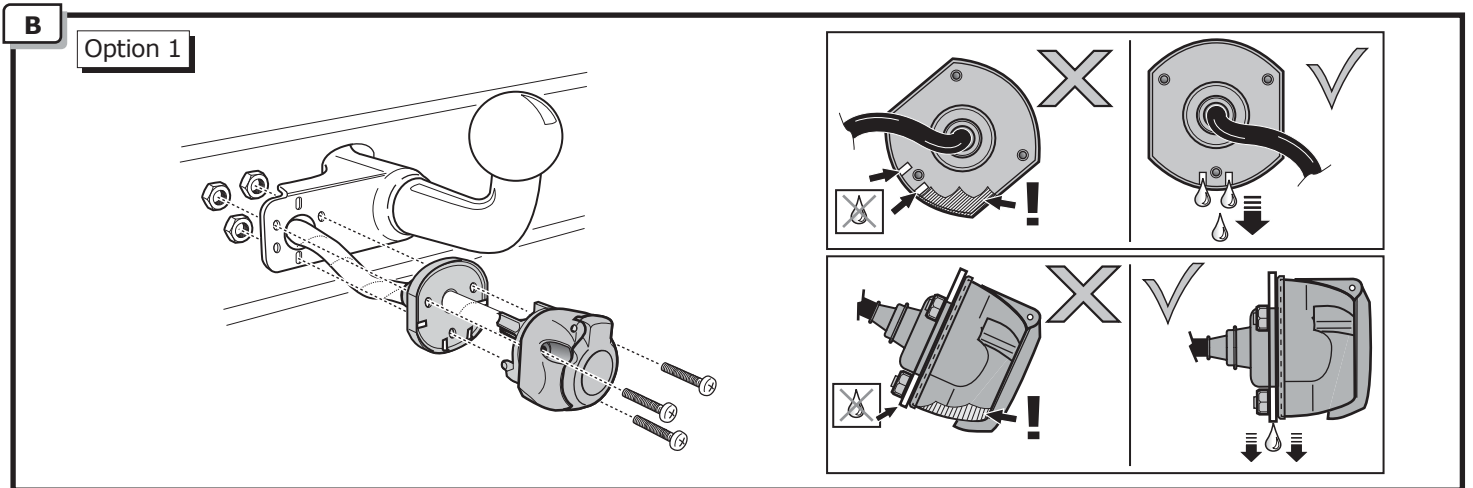
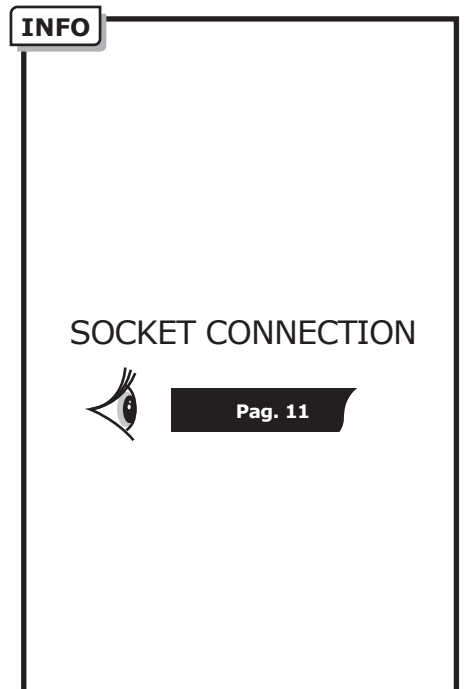
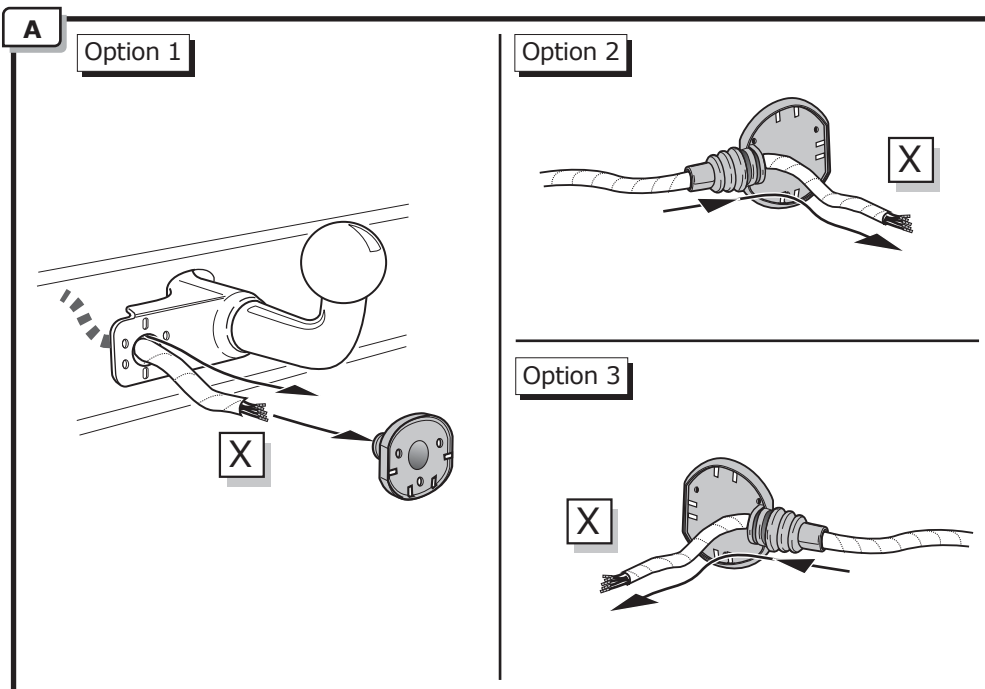


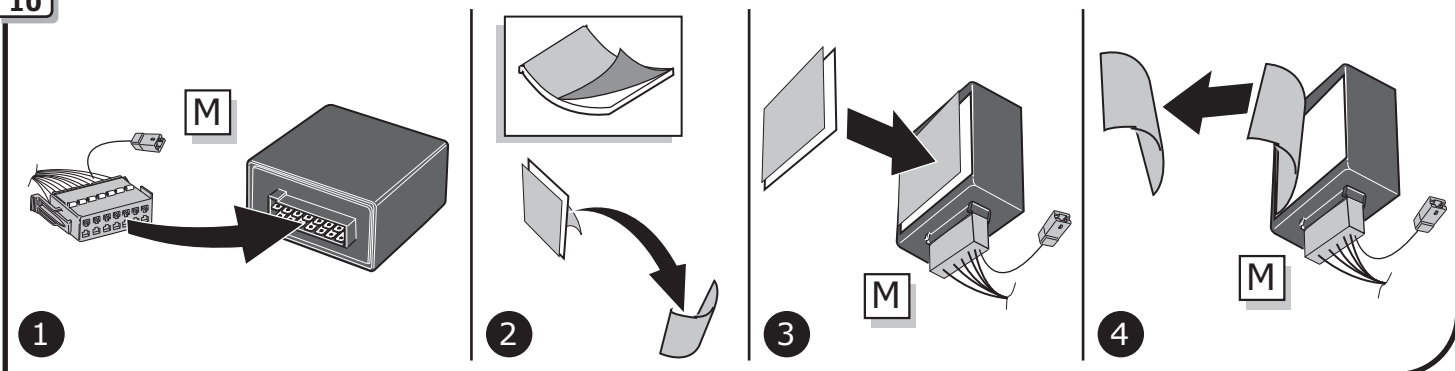
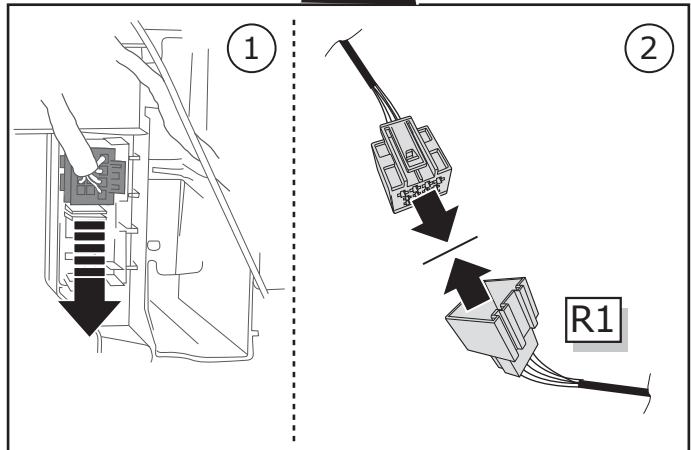
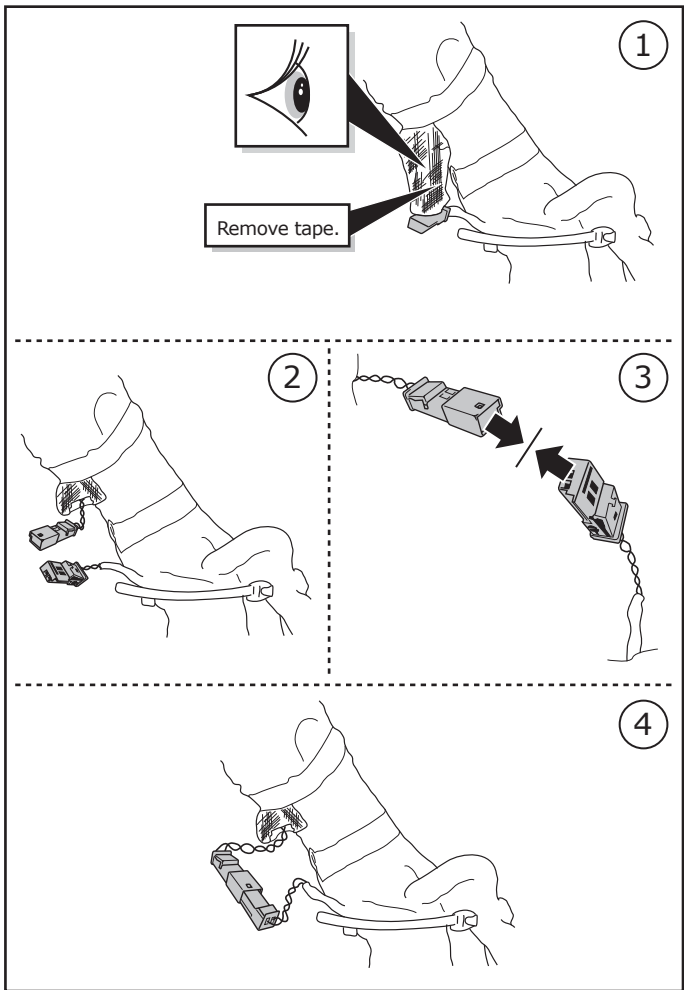
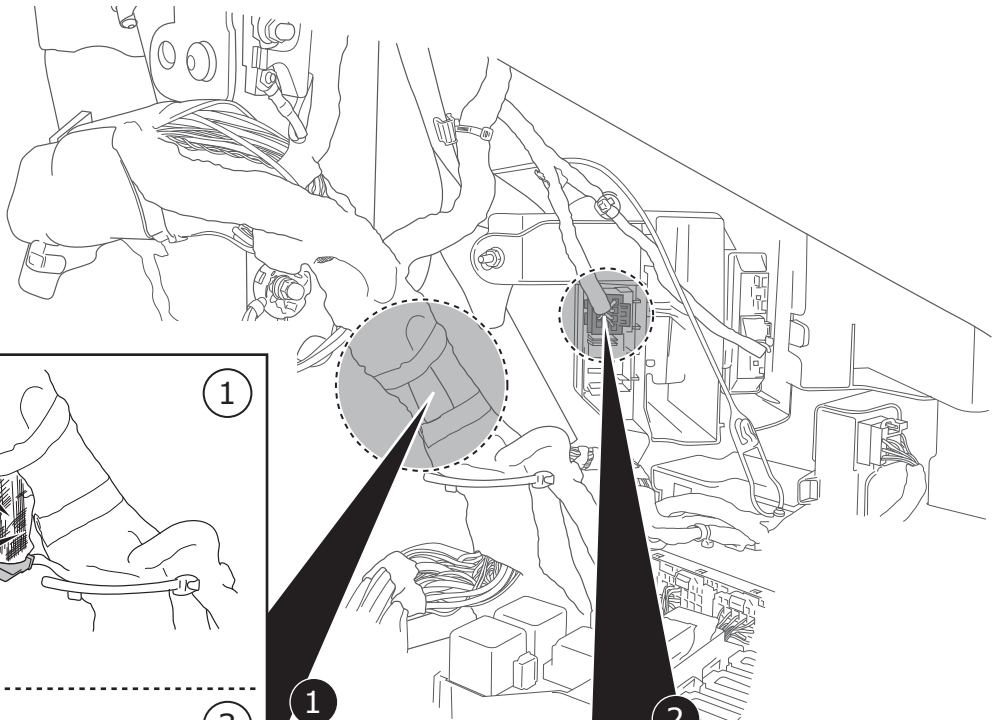
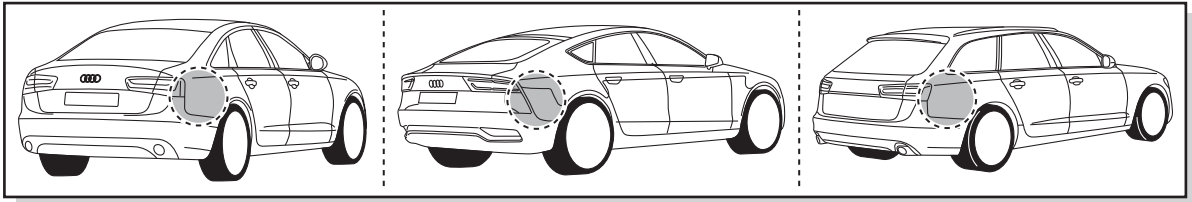
7



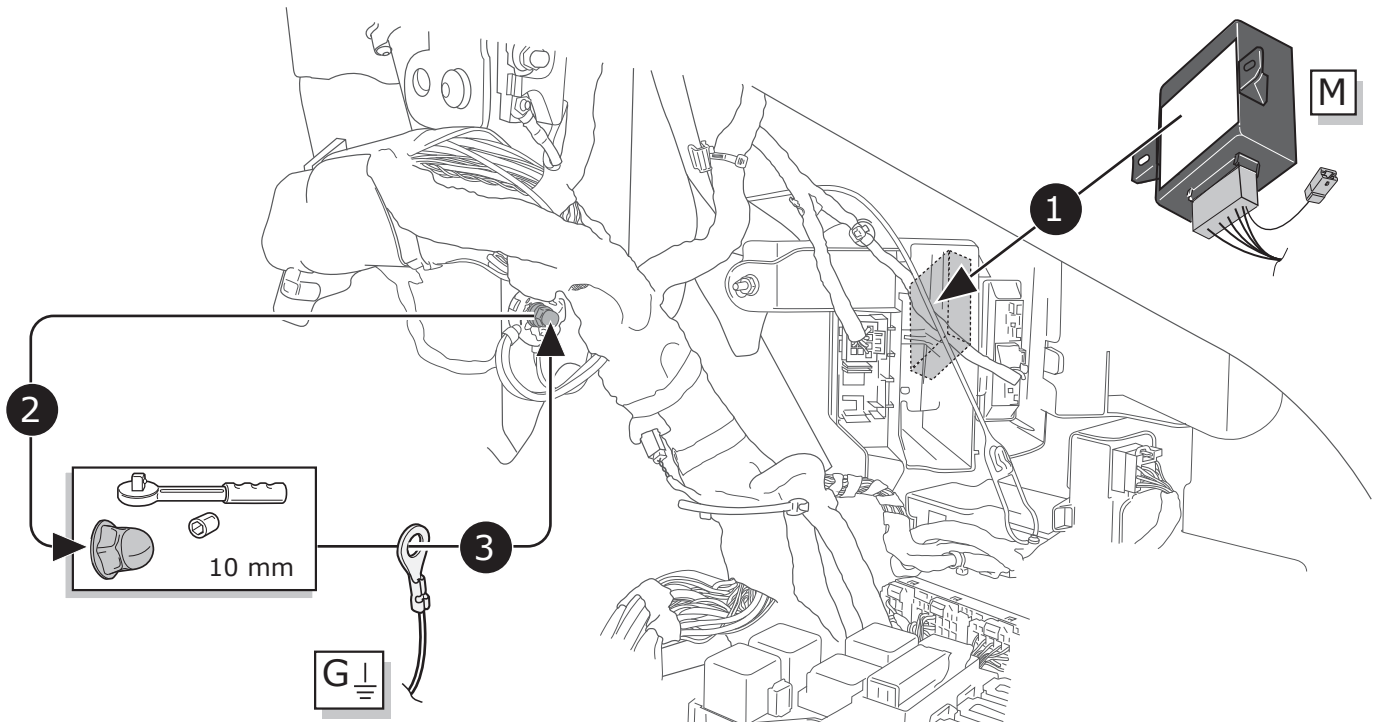
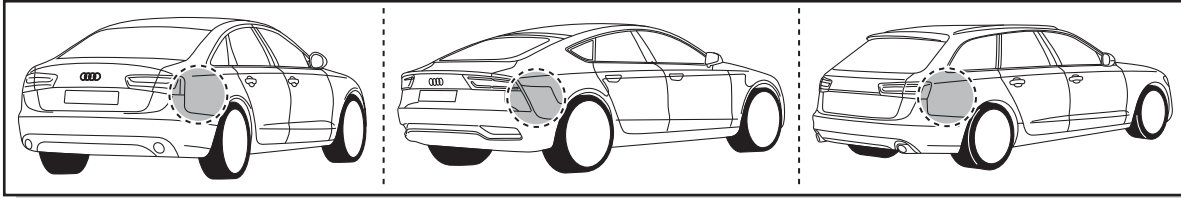
8



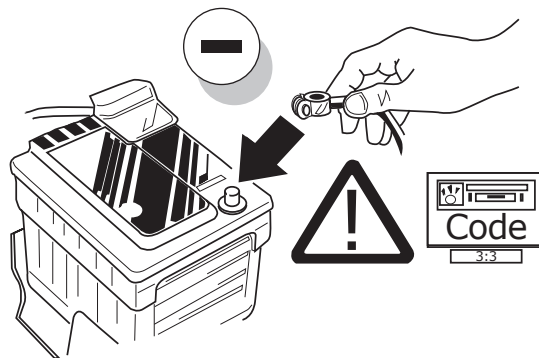




11



12



13

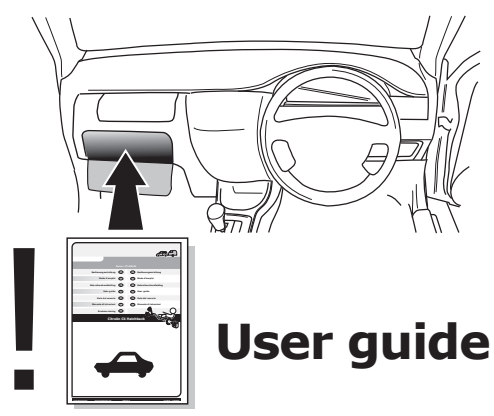
A VAG Service Tester must be used to code the vehicle's Gateway with the additional function for the towing hitch at the dealer.



TEST ALL THE CIRCUITS WITH A TEST DEVICE WITH THE CORRECT POWER LOAD FOR EACH FUNCTION. A TEST DEVICE WITH LED'S CANNOT BE USED FOR THIS PURPOSE.

INFO

REINSTALL TRIM.



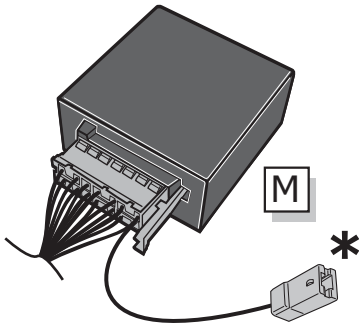
INFO

SOCKET CONNECTION

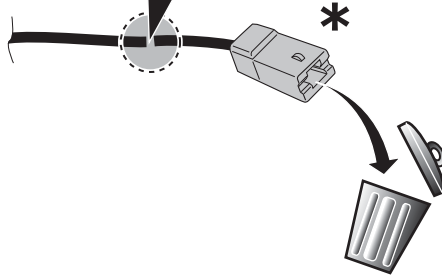
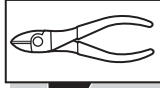
DIN/ISO 1724							
	1/L	2	3/31	4/R	5/58-R	6/54	7/58-L
Pmax	21W	21W		21W	42W	3x21W	42W
Colour	Black/White	Blue	Brown	Black/Green	Grey/Red	Black/Red	Grey/Black

Reverse signal preparation

A



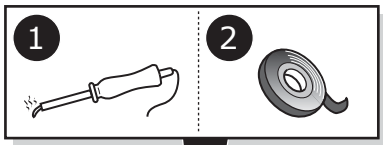
1



2



B



⚠ MAX = 21W

