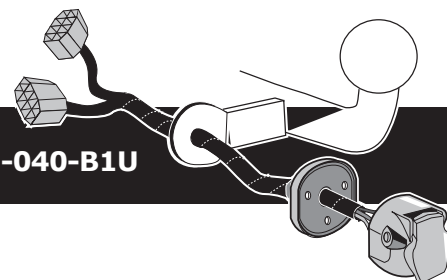




Only for Audi's with towbar preparation

Audi Q3 2012 --> 2014
Audi Q3 2015 -->

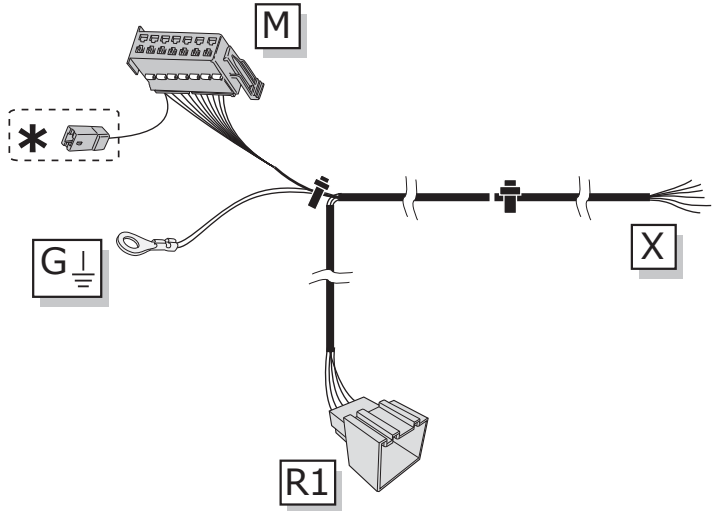
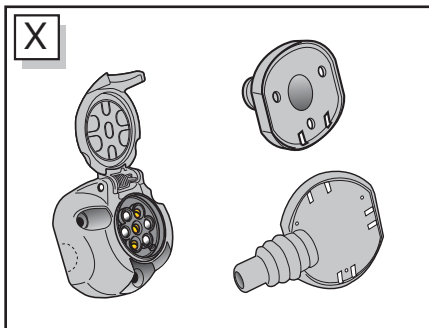
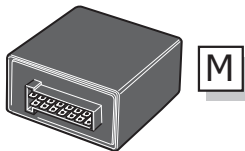
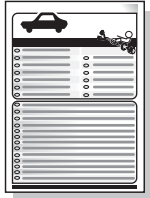
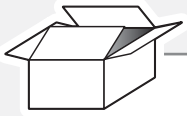
Partnr.: AU-040-B1U




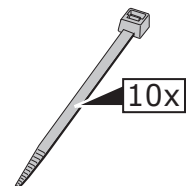
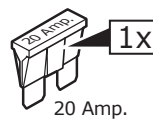
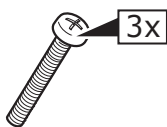
- Fitting instructions electric wiring kit tow bar with 12-N socket up to DIN/ISO Norm 1724.
- We would expressly point out that assembly not carried out properly by a competent installer will result in cancellation of any right to damage compensation, in particular those arising by virtue of the product liability act.
- Contents of these kits and their fitting manuals are subject to alteration without notice, please ensure that these instructions are read and fully understood before commencing installation.
- Do not overload circuits; the maximum loads per connection are detailed in this manual.
- Attention! Before Installation, please read this manual carefully and inform your customer to consult the vehicle owners manual to check for any vehicle modifications required before towing.
- In the event of functional problems, troubleshooting must be limited to about 0.5 hours, contact the technical support:
ukts@ecs-electronics.com / 07440 202 052.

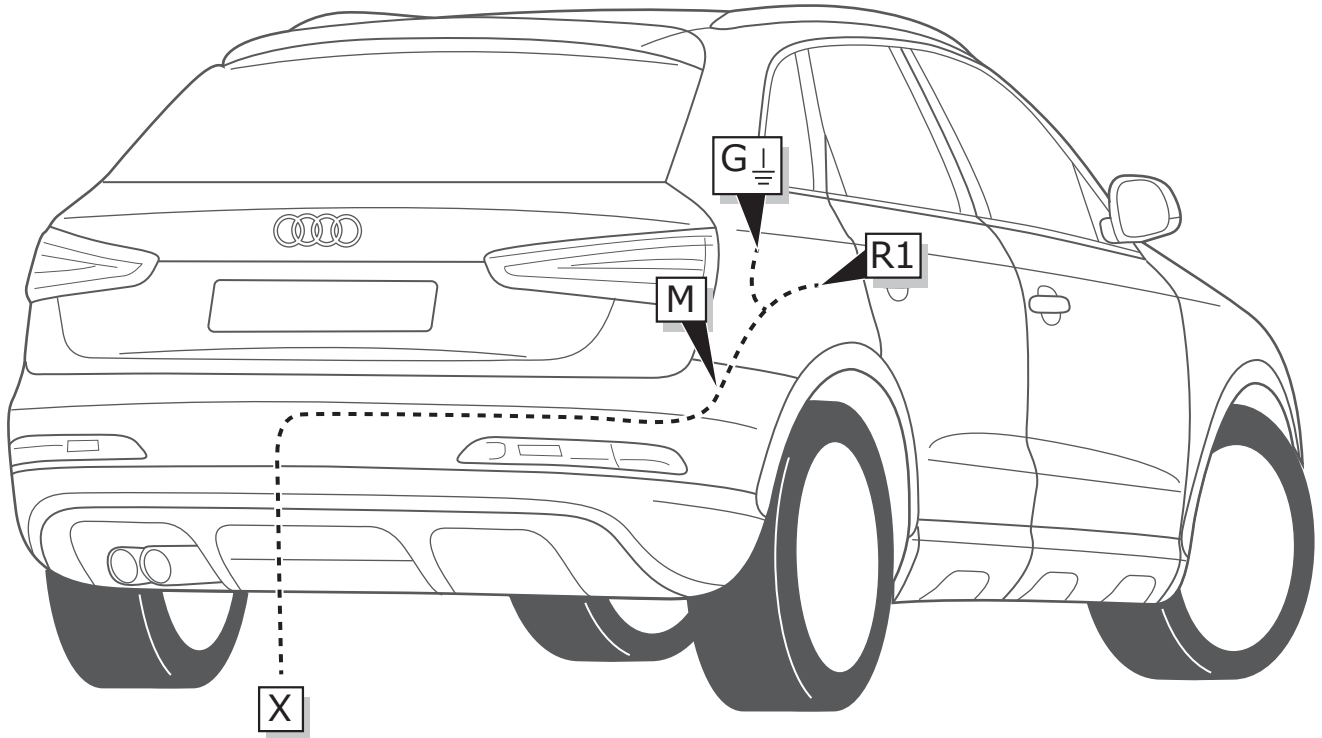


Part list

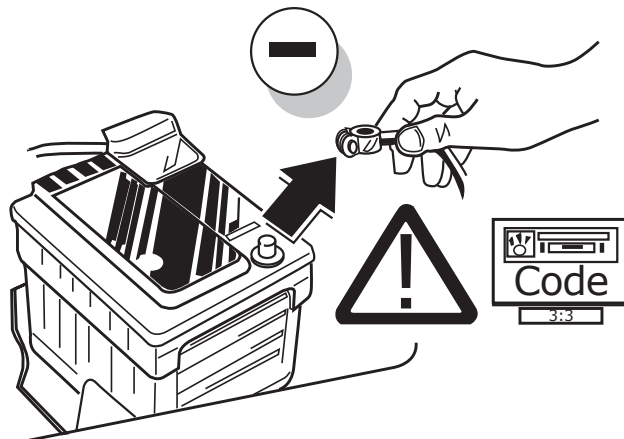


* Reverse signal preparation
 → **Pag. 10**

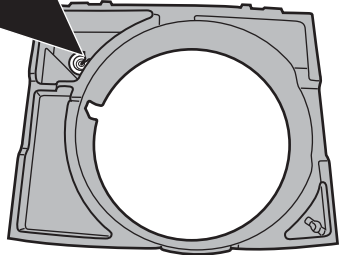
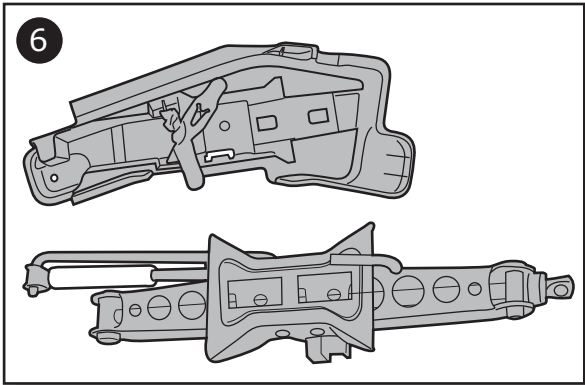
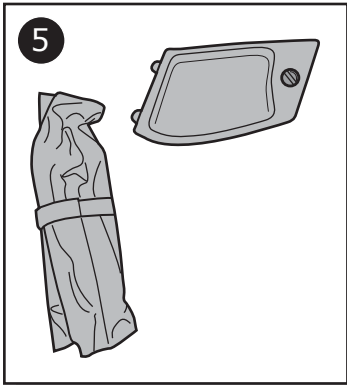
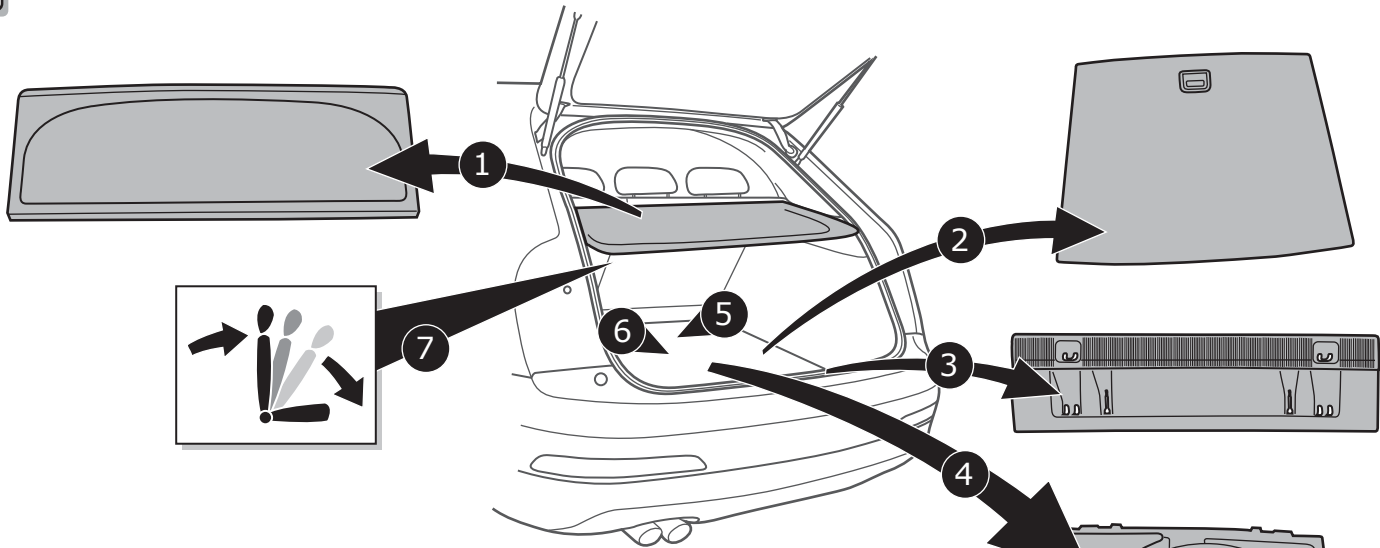




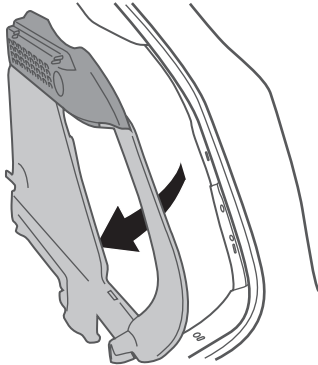
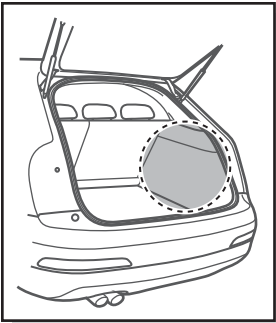
1



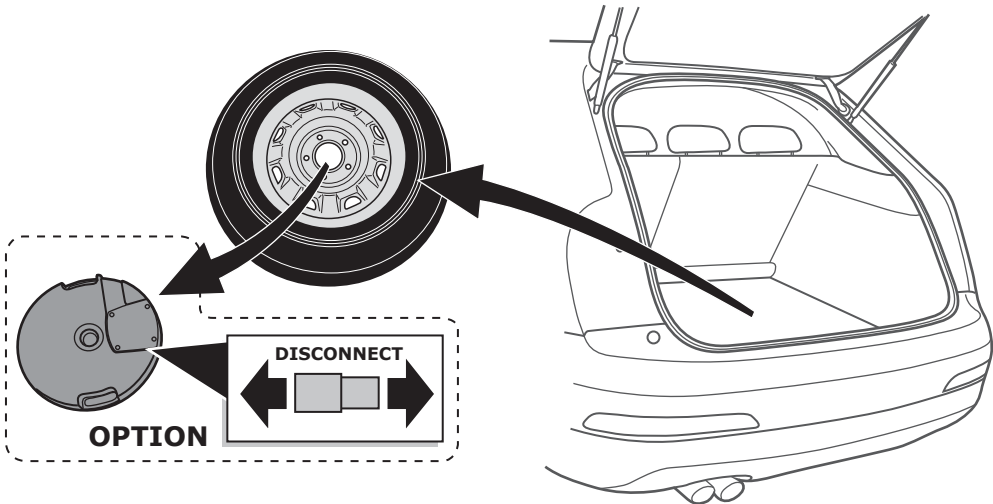
2



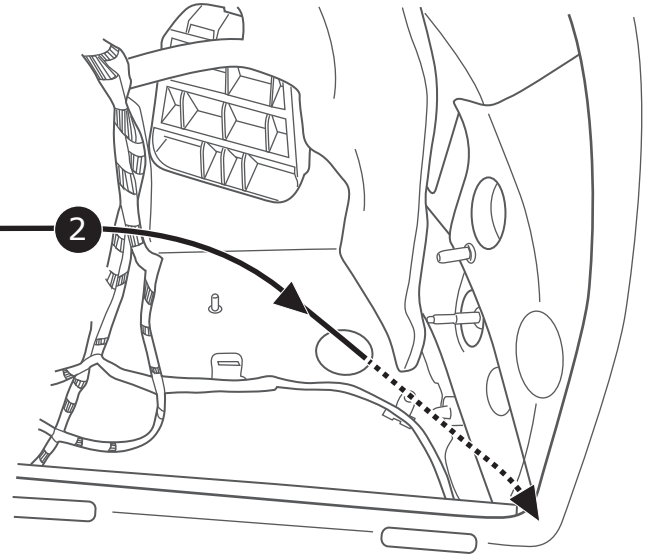
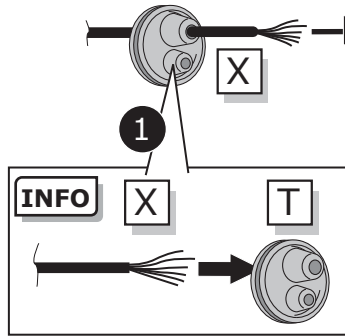
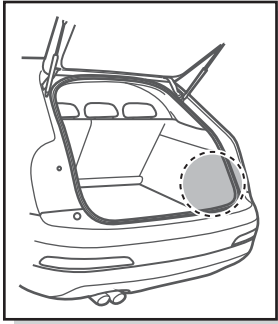
3



4

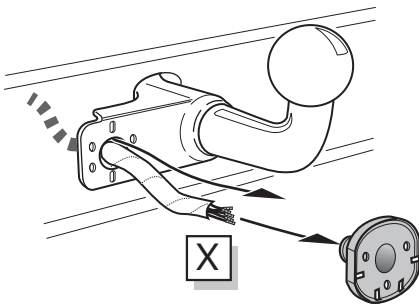


5

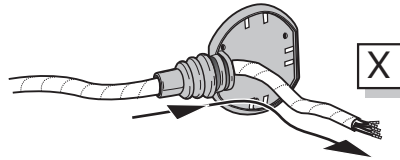


A

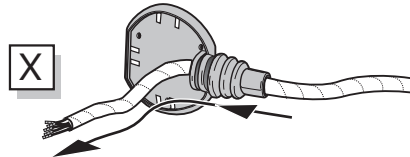
Option 1



Option 2



Option 3



INFO

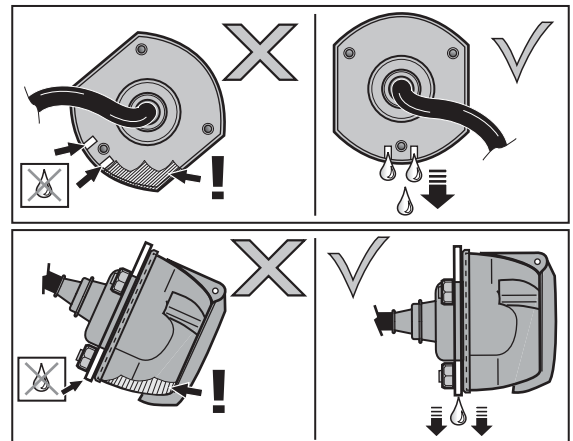
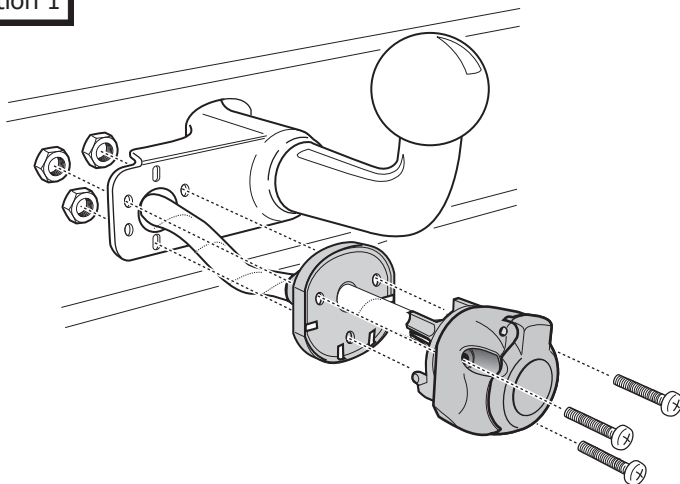
SOCKET CONNECTION

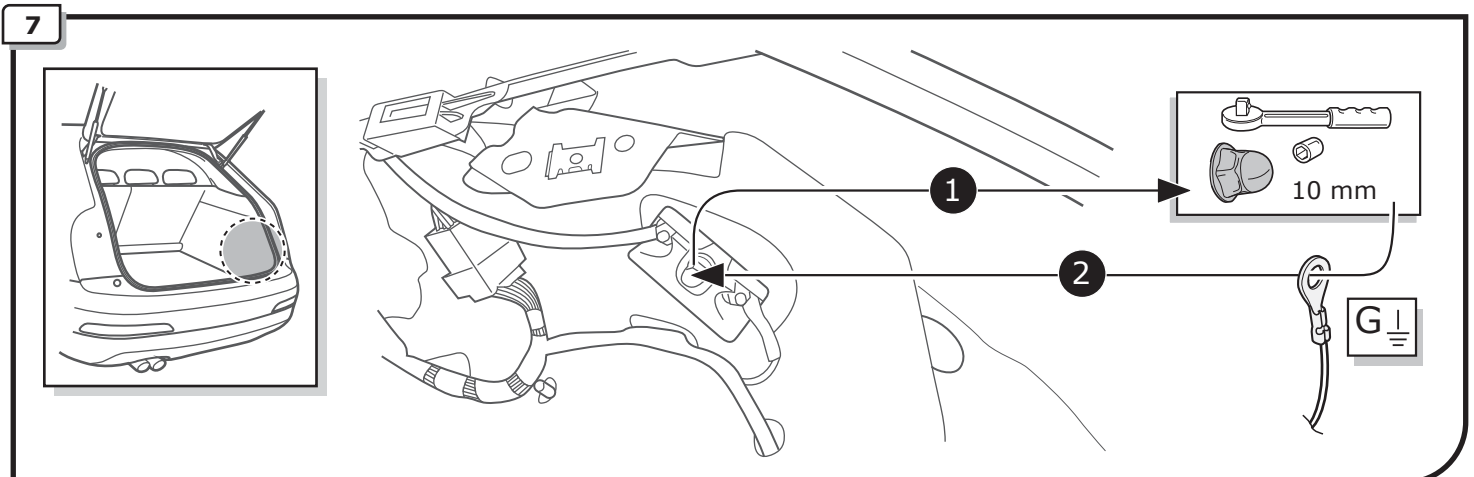
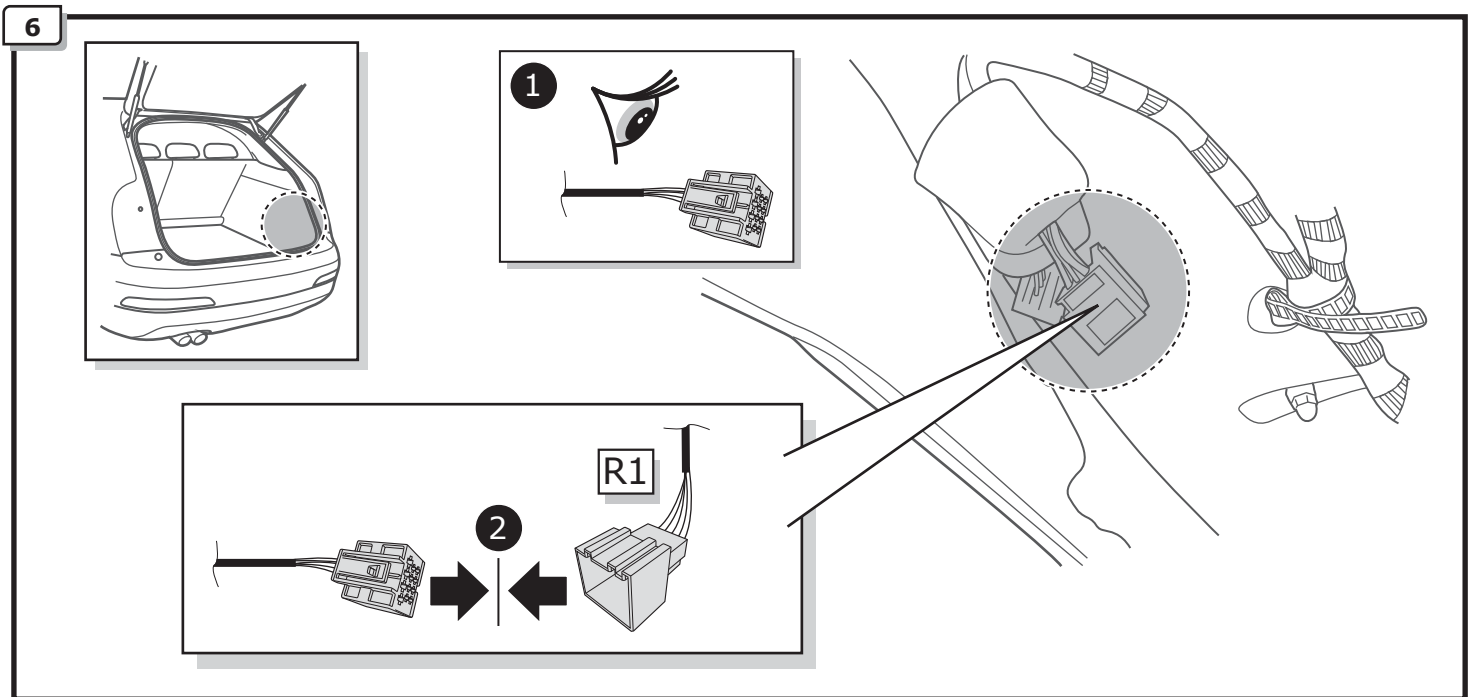
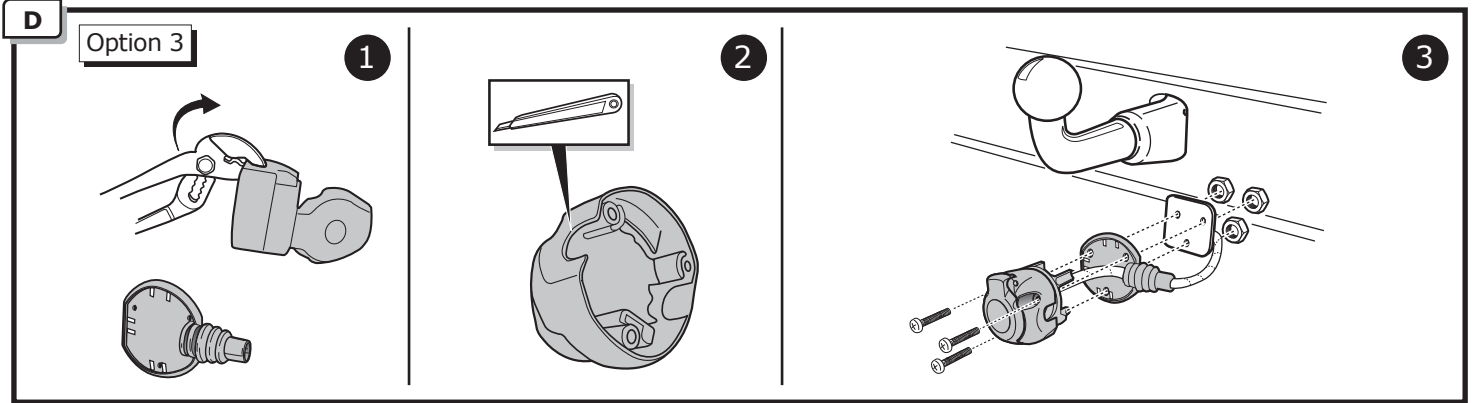
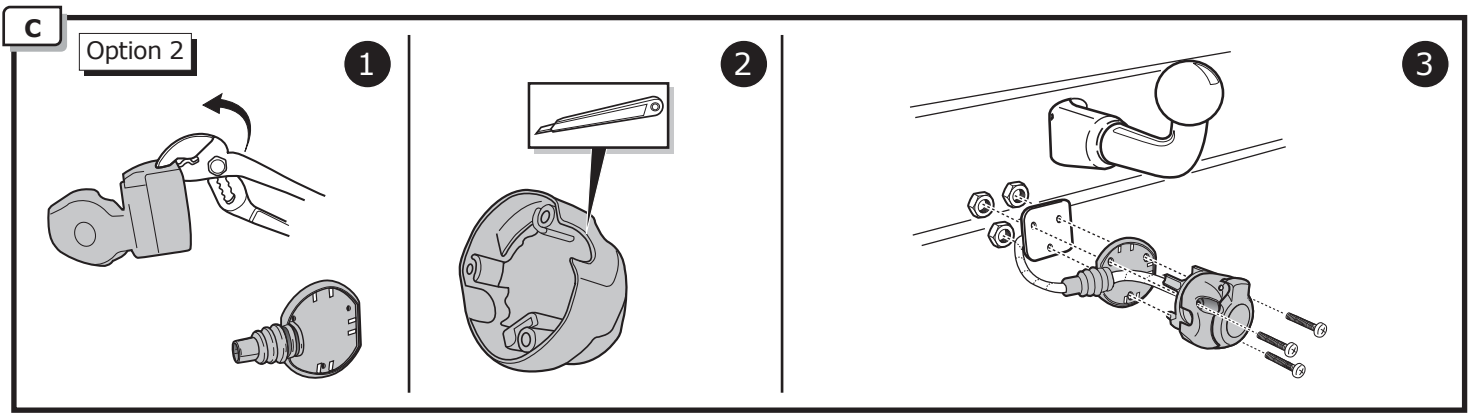


Pag. 10

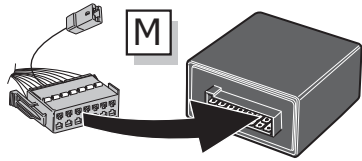
B

Option 1

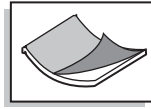




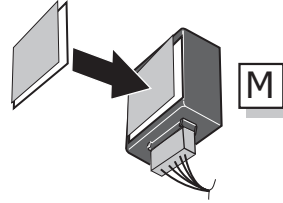
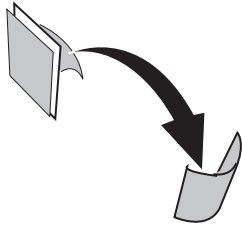
8



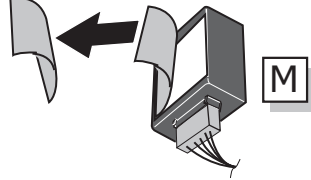
1



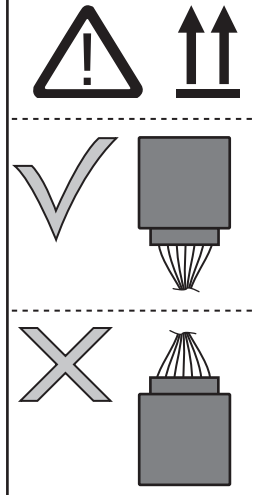
2



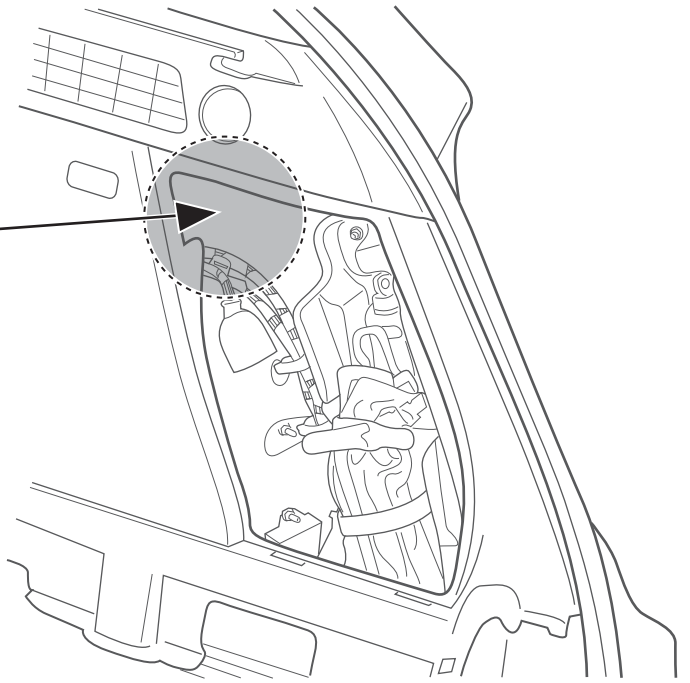
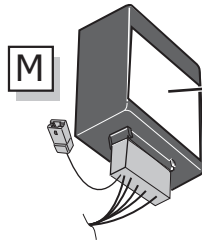
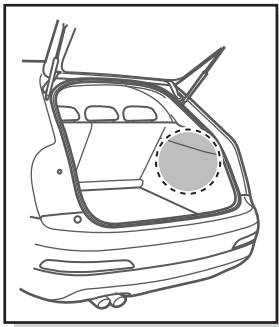
3



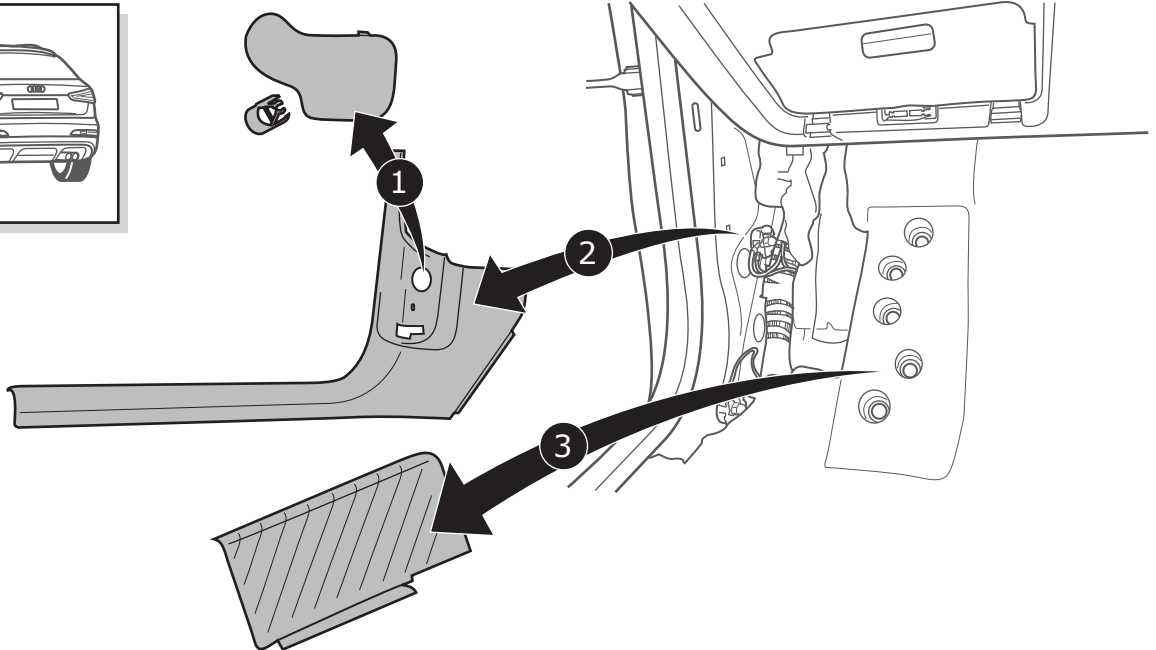
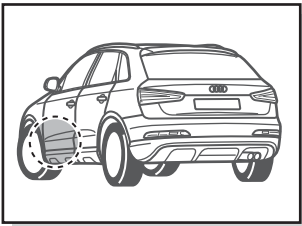
4



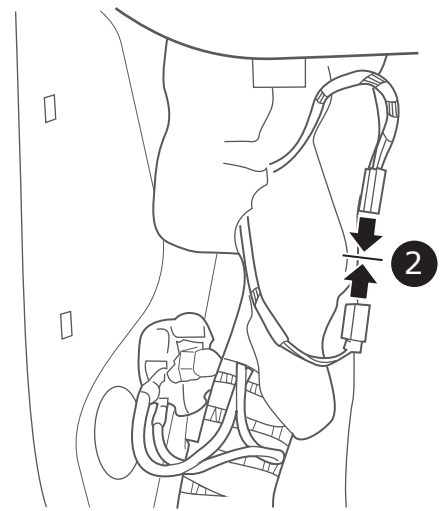
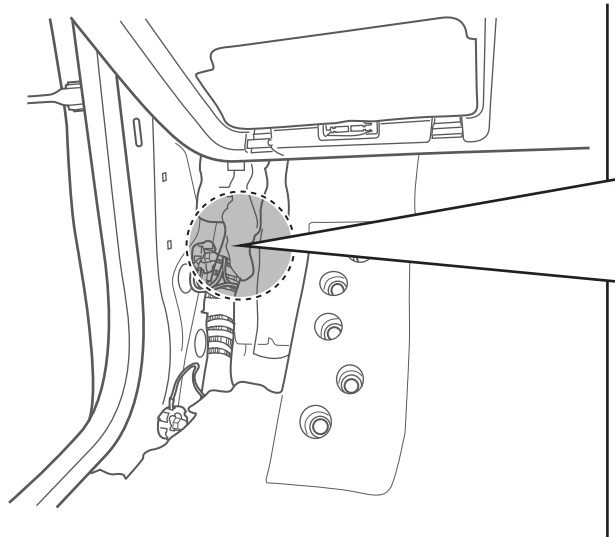
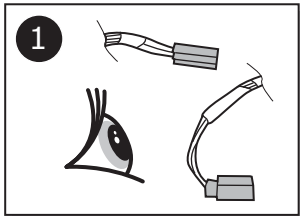
9



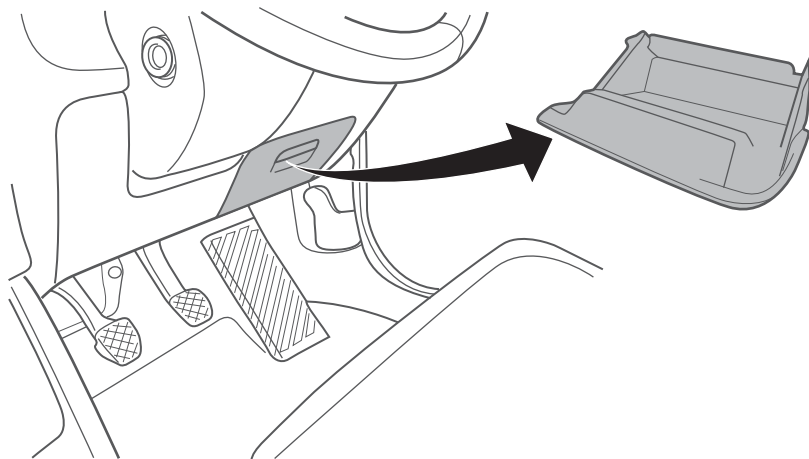
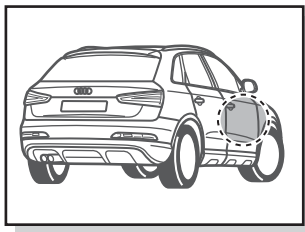
10



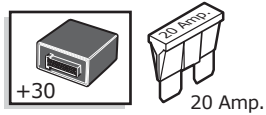
11



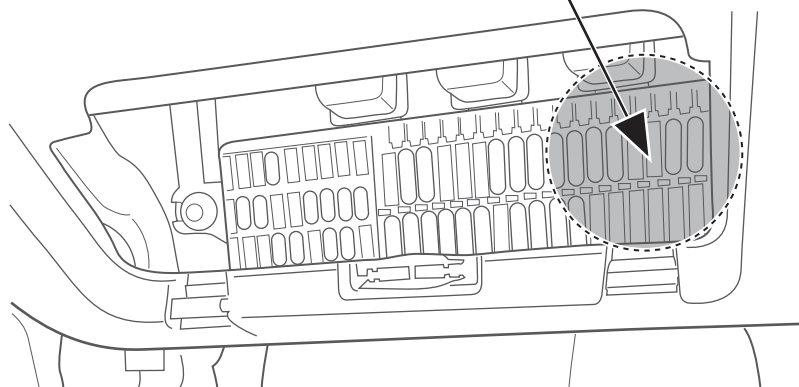
12



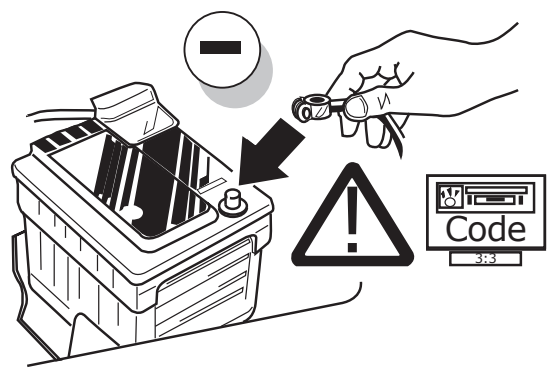
13



PIN 41



14



INFO

With a VAG Service tester with the help of SVM code '050200' the software of the vehicle must be adjusted to trailer coupling converted D12.

15

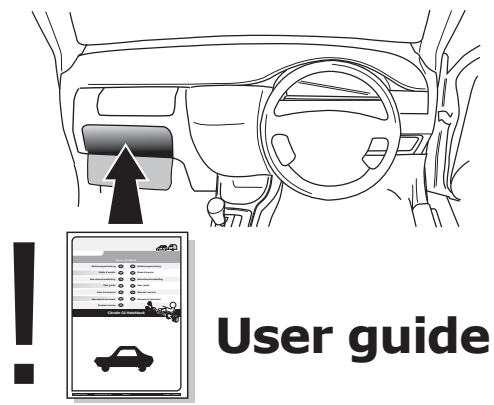


TEST ALL THE CIRCUITS WITH A TEST DEVICE WITH THE CORRECT POWER LOAD FOR EACH FUNCTION. A TEST DEVICE WITH LED'S CANNOT BE USED FOR THIS PURPOSE.

INFO

REINSTALL TRIM.

16



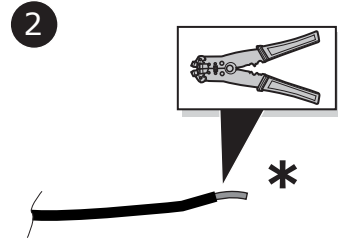
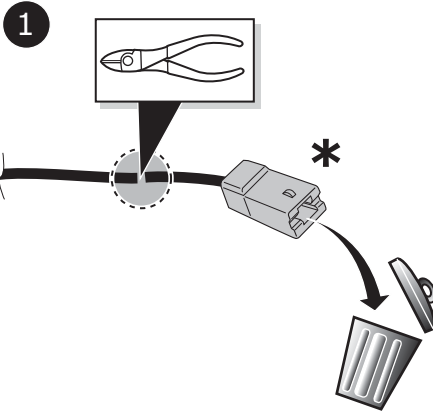
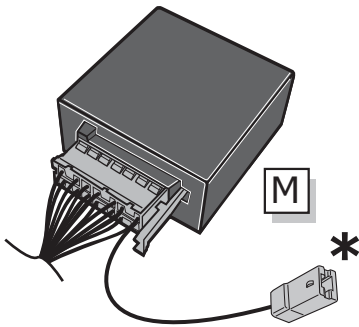
A technical support banner for ECS Electronics. It features a large headset icon with the text 'CALL 07440 202 052' inside it. A diagonal banner in the top left corner says 'TECHNICAL SUPPORT'. At the bottom, it lists the company name 'ECS ELECTRONICS', the contact hours 'MONDAY TO FRIDAY 08.00 - 11.00 am 12.00 - 05.00 pm', the email 'ukts@ecs-electronics.com', and the website 'www.ecs-electronicsuk.co.uk'.

SOCKET CONNECTION

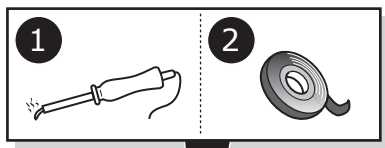
DIN/ISO 1724							
	1/L	2	3/31	4/R	5/58-R	6/54	7/58-L
Pmax	21W	21W		21W	42W	3x21W	42W
Colour	Black/ White	Blue	Brown	Black/ Green	Grey/ Red	Black/ Red	Grey/ Black

Reverse signal preparation

A



B



MAX = 21W

