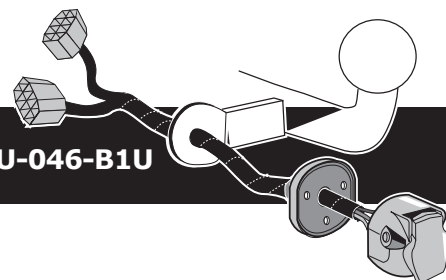


**Skoda Octavia Limo 2013 - 05/2014**  
**Skoda Octavia Combi 2014 - 05/2014**

Only for models without towbar prepared connector

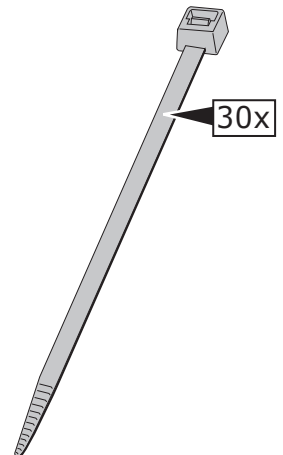
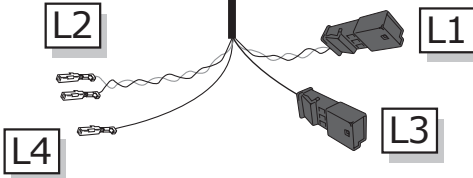
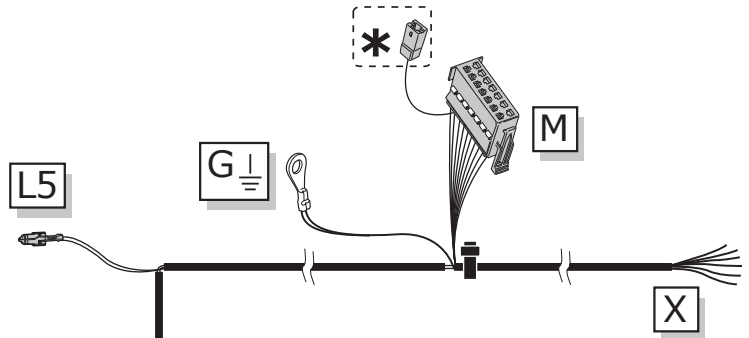
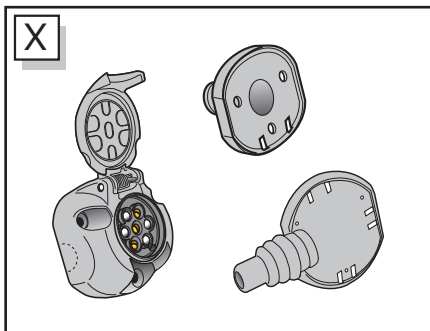
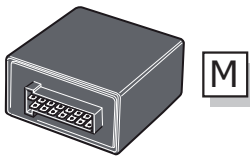
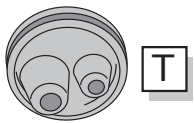
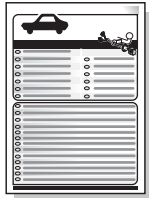
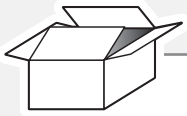
Partnr.: AU-046-B1U



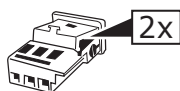
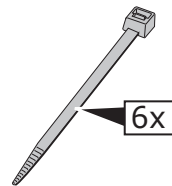
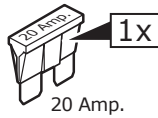
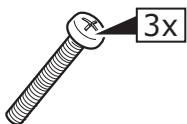
- Fitting instructions electric wiring kit tow bar with 12-N socket up to DIN/ISO Norm 1724.
- We would expressly point out that assembly not carried out properly by a competent installer will result in cancellation of any right to damage compensation, in particular those arising by virtue of the product liability act.
- Contents of these kits and their fitting manuals are subject to alteration without notice, please ensure that these instructions are read and fully understood before commencing installation.
- Do not overload circuits; the maximum loads per connection are detailed in this manual.
- Attention! Before Installation, please read this manual carefully and inform your customer to consult the vehicle owners manual to check for any vehicle modifications required before towing.
- In the event of functional problems, troubleshooting must be limited to about 0.5 hours, contact the technical support:  
[ukts@ecs-electronics.com](mailto:ukts@ecs-electronics.com) / 07440 202 052.



# Part list

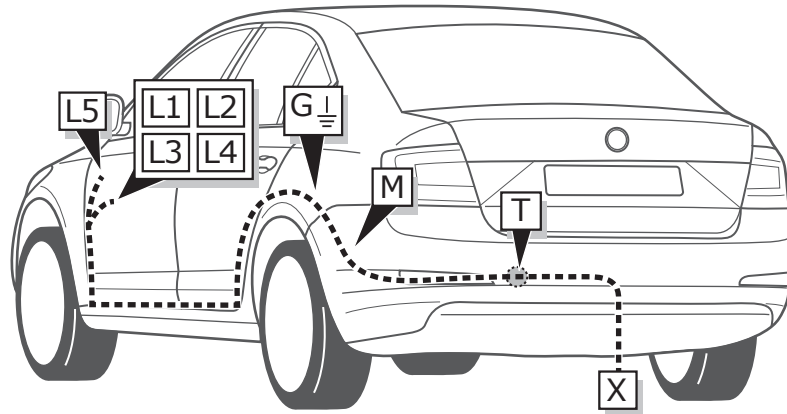


\* Reverse signal preparation

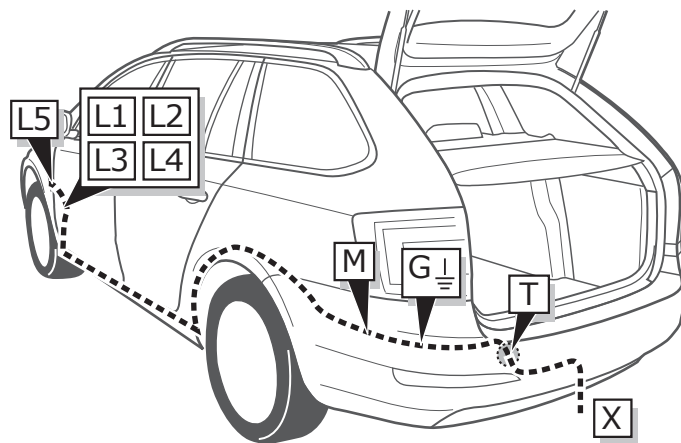


ROUTING

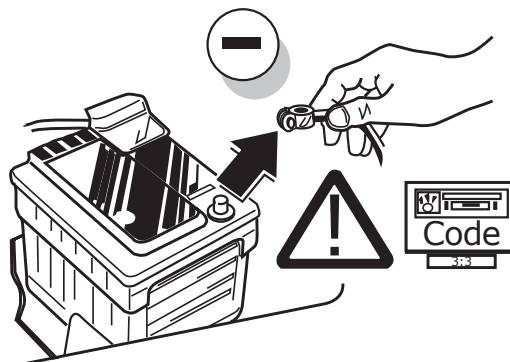
Octavia Limo



Octavia Combi

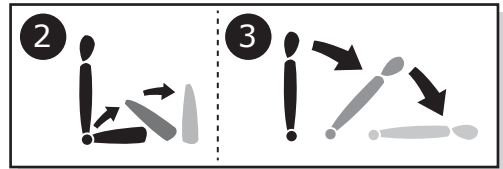
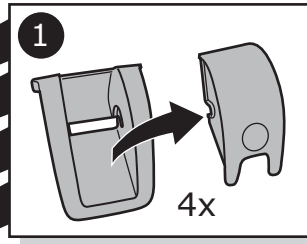
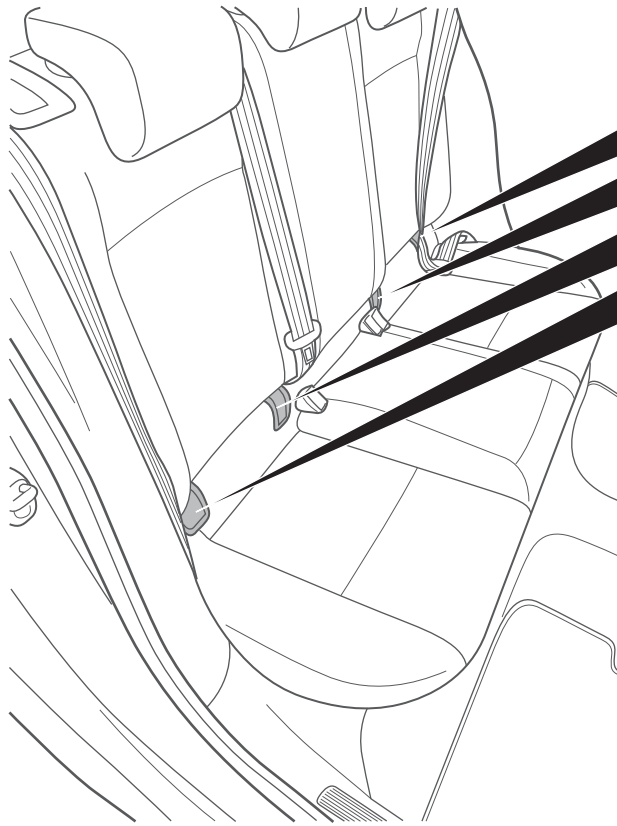


1



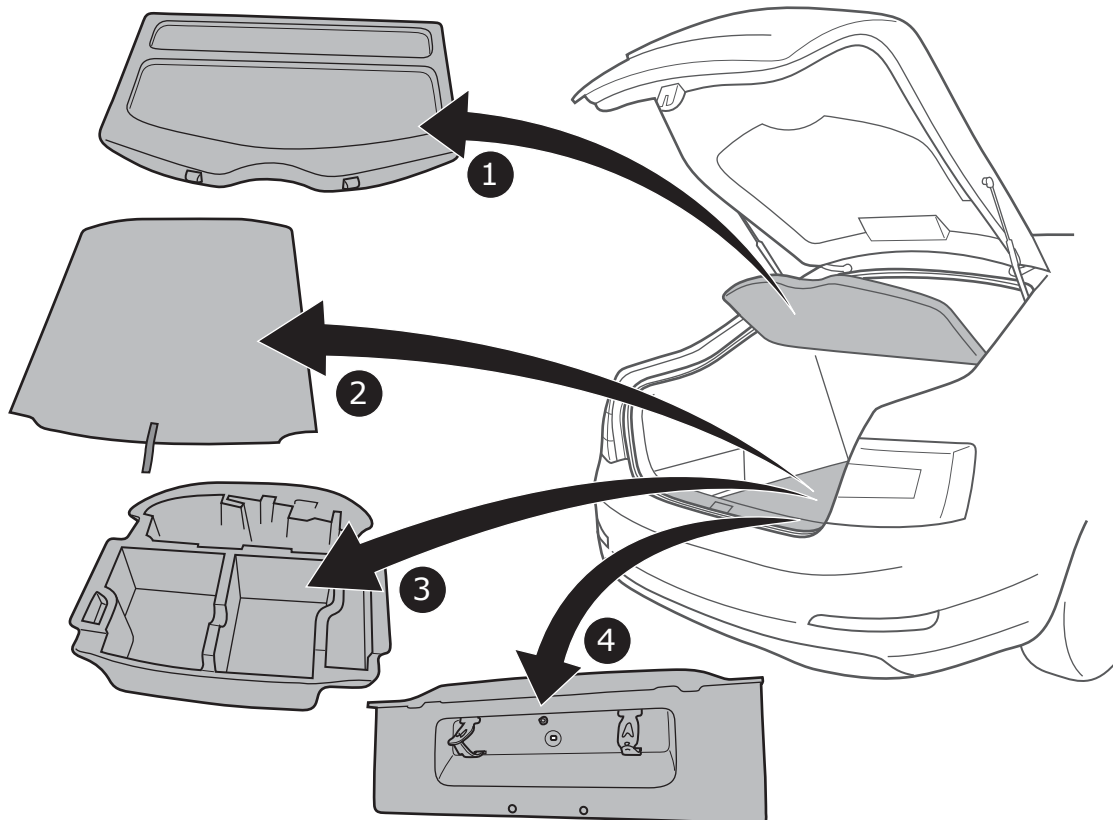
# Octavia Limo / Combi

2

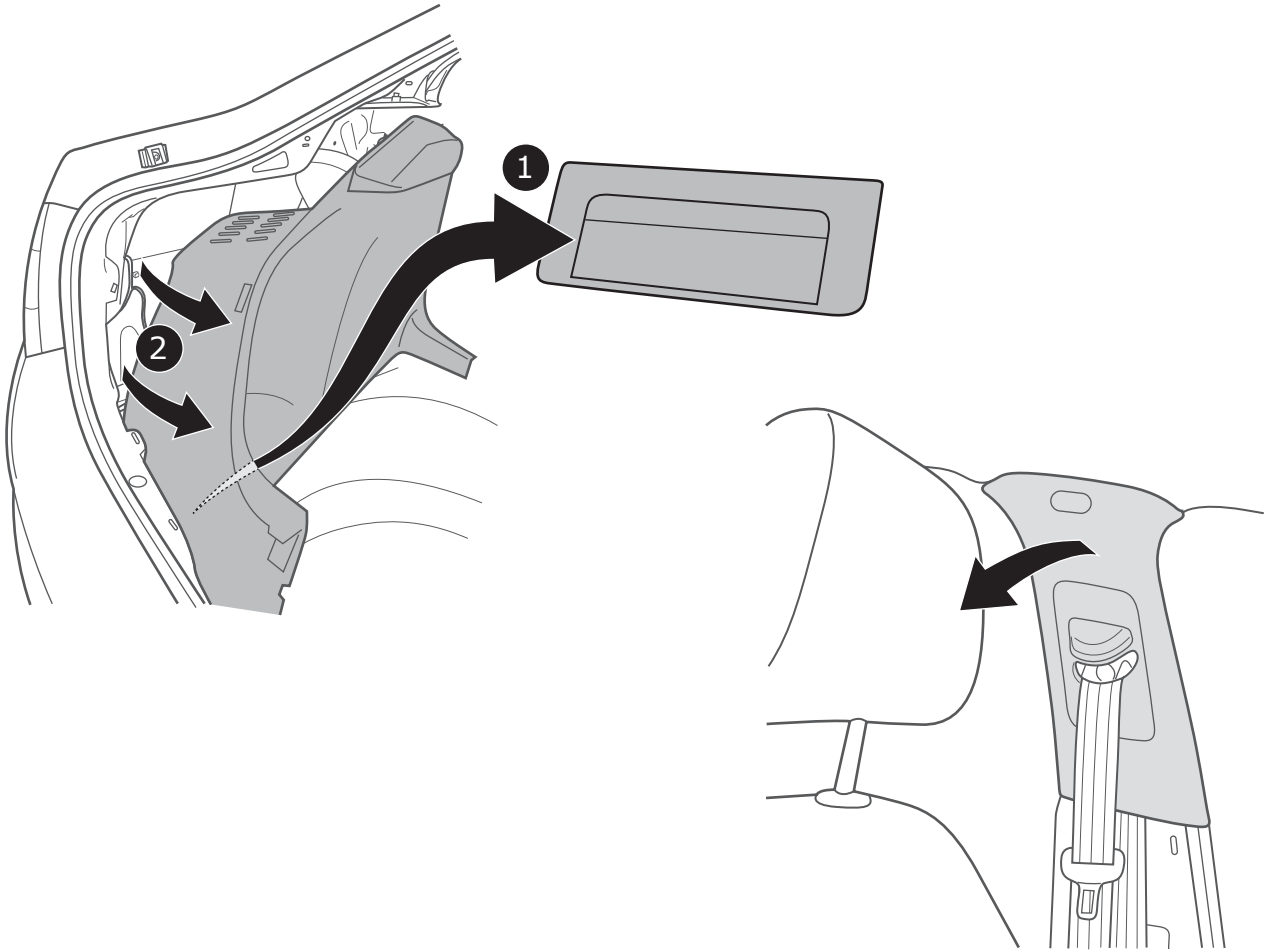


# Octavia Limo

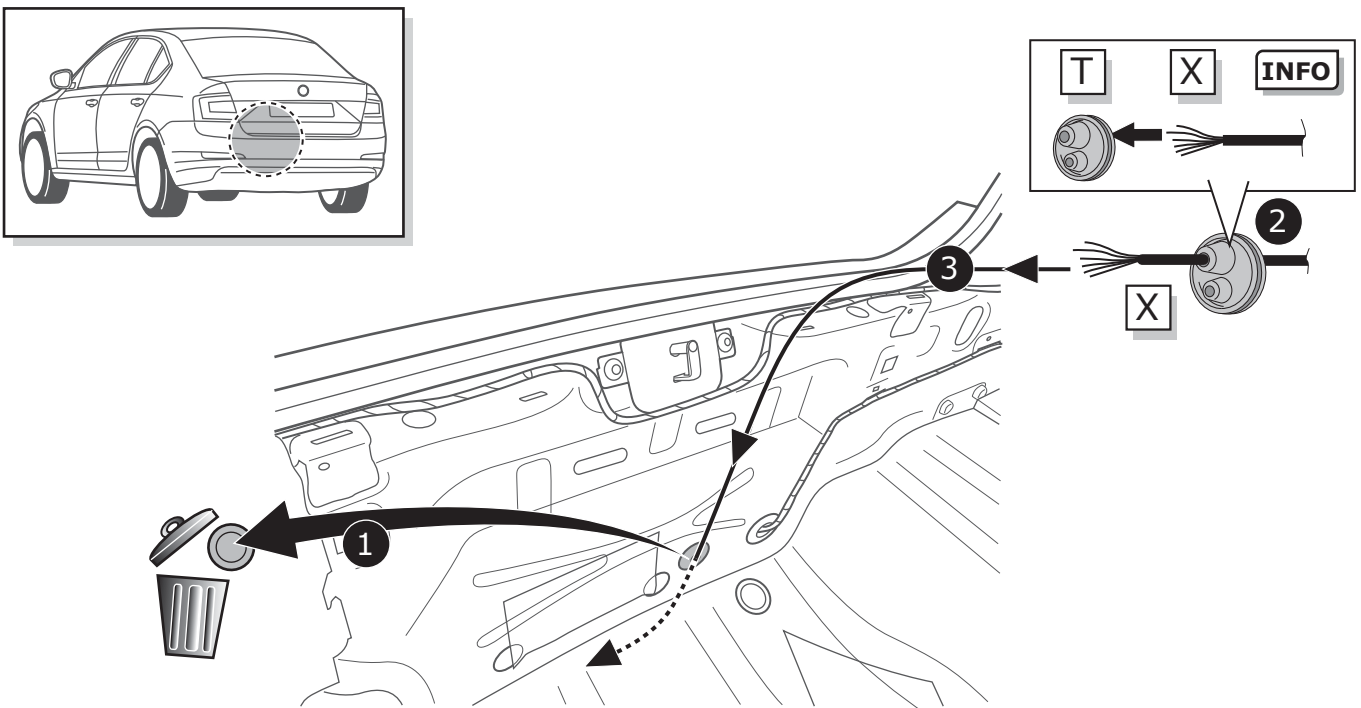
3



4

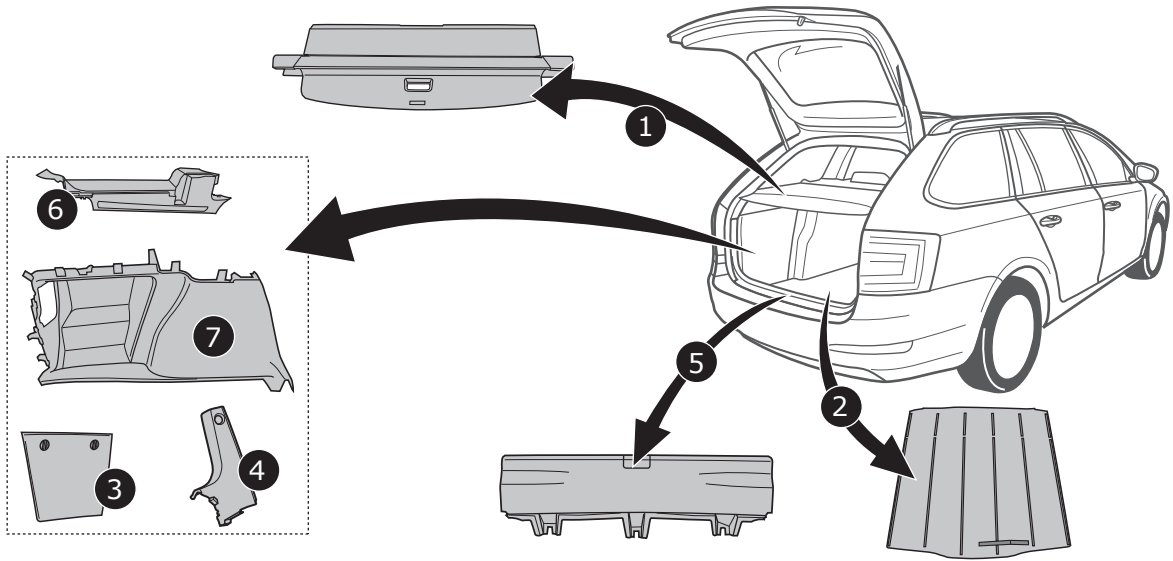


5

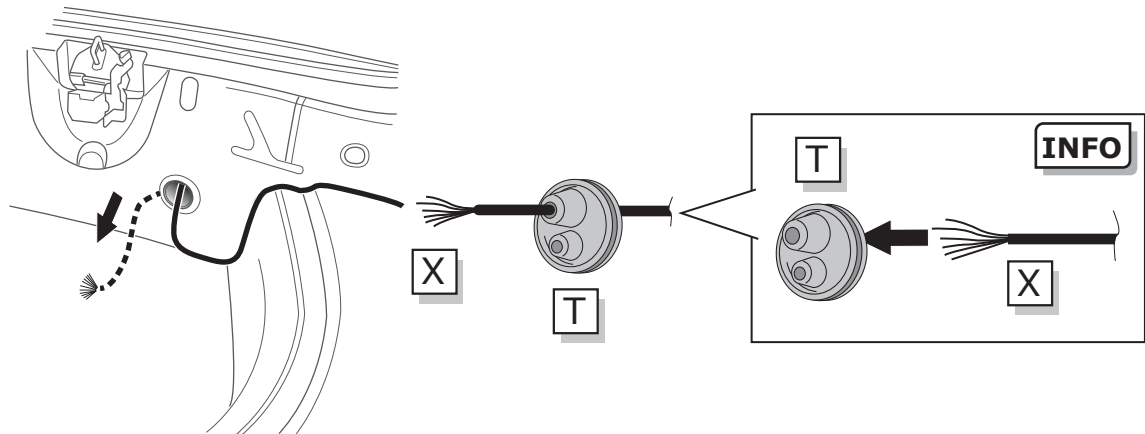


# Octavia Combi

6



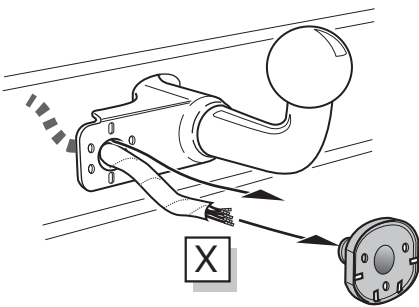
7



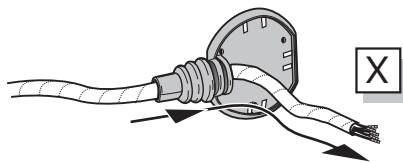
# Octavia Limo / Combi

A

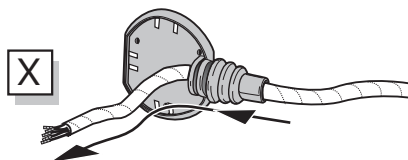
Option 1



Option 2



Option 3



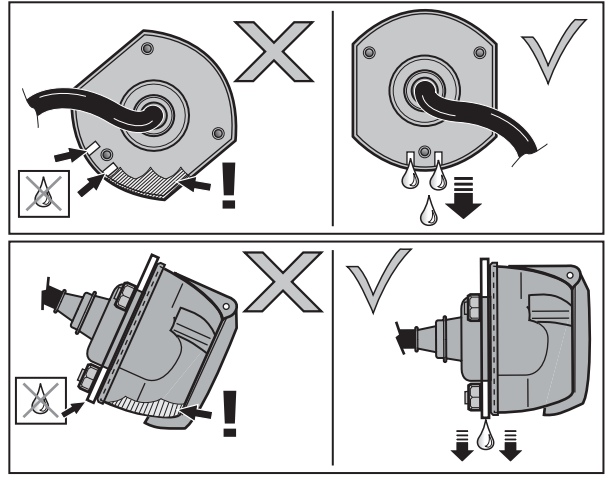
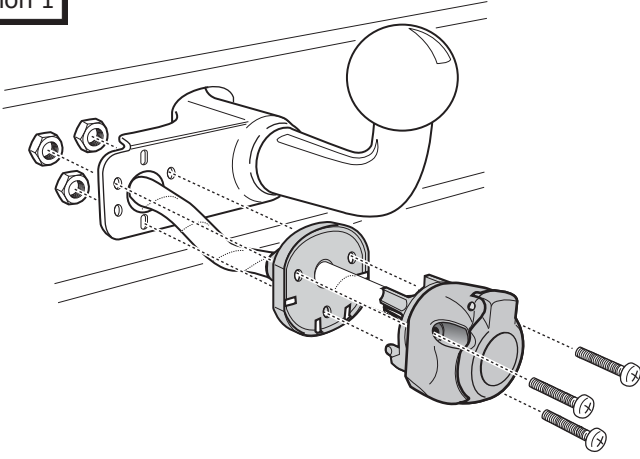
INFO

SOCKET CONNECTION

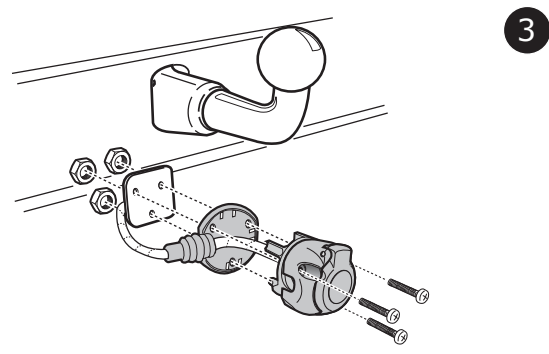
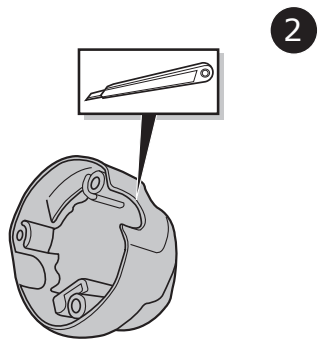
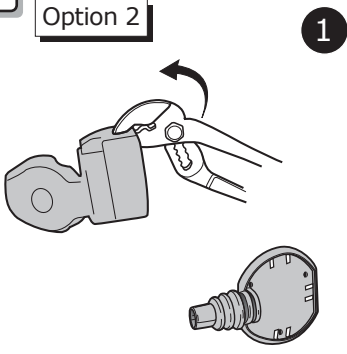


Pag. 16

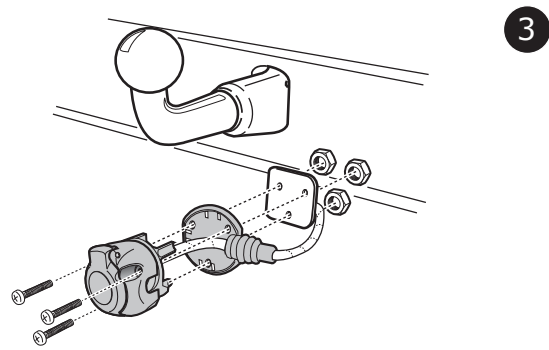
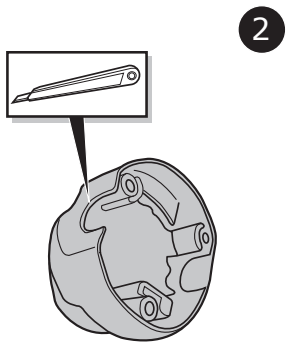
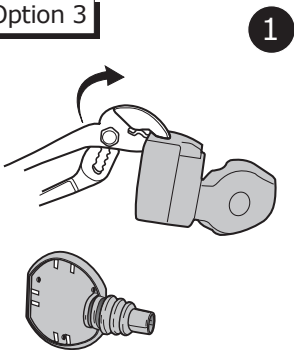
**B** Option 1



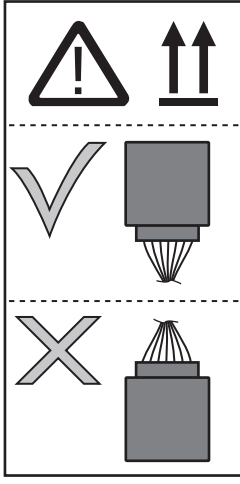
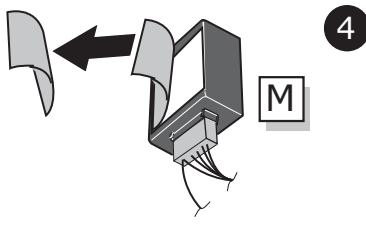
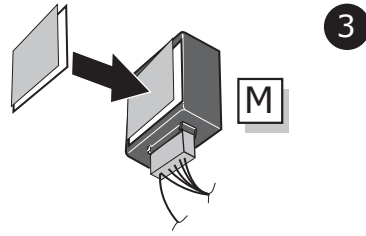
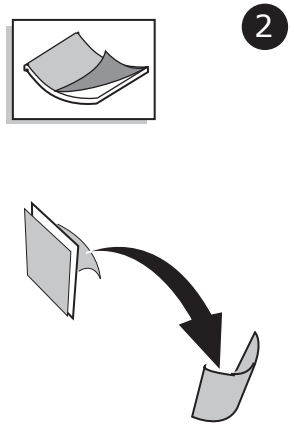
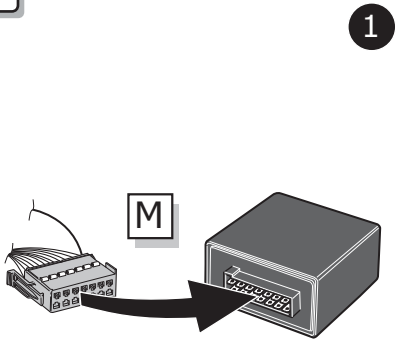
**C** Option 2



**D** Option 3

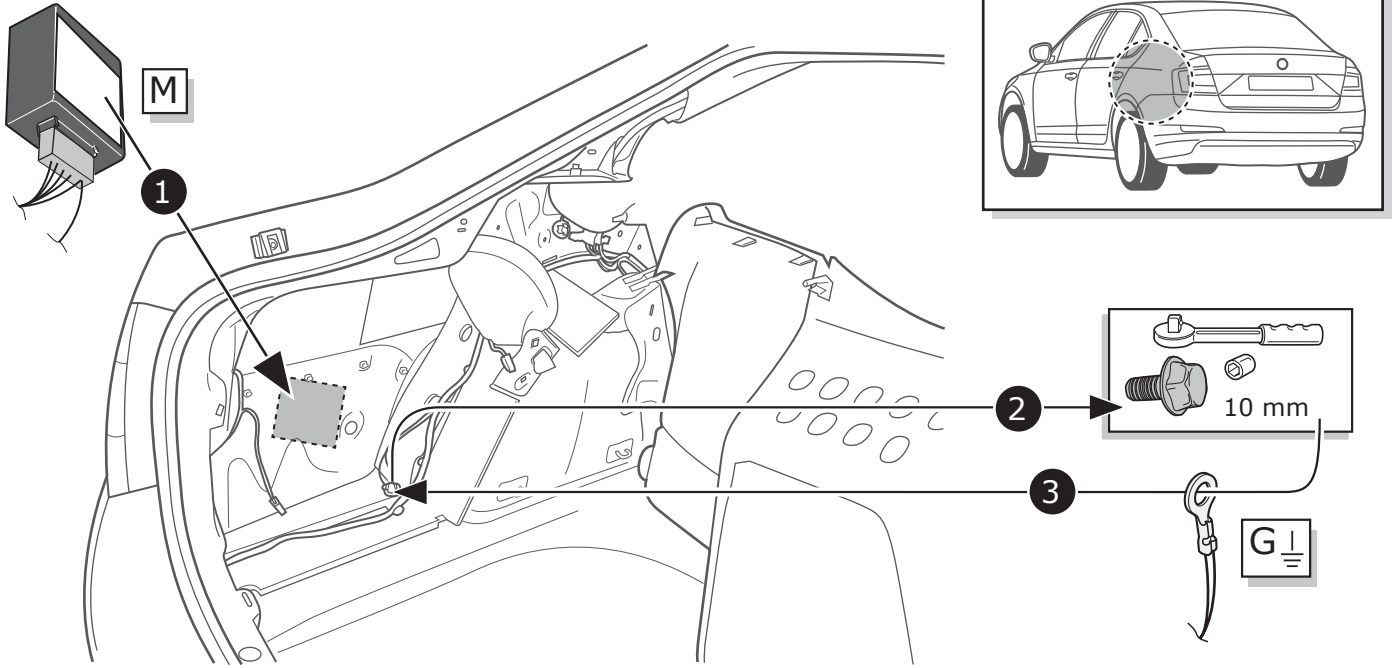


**8**



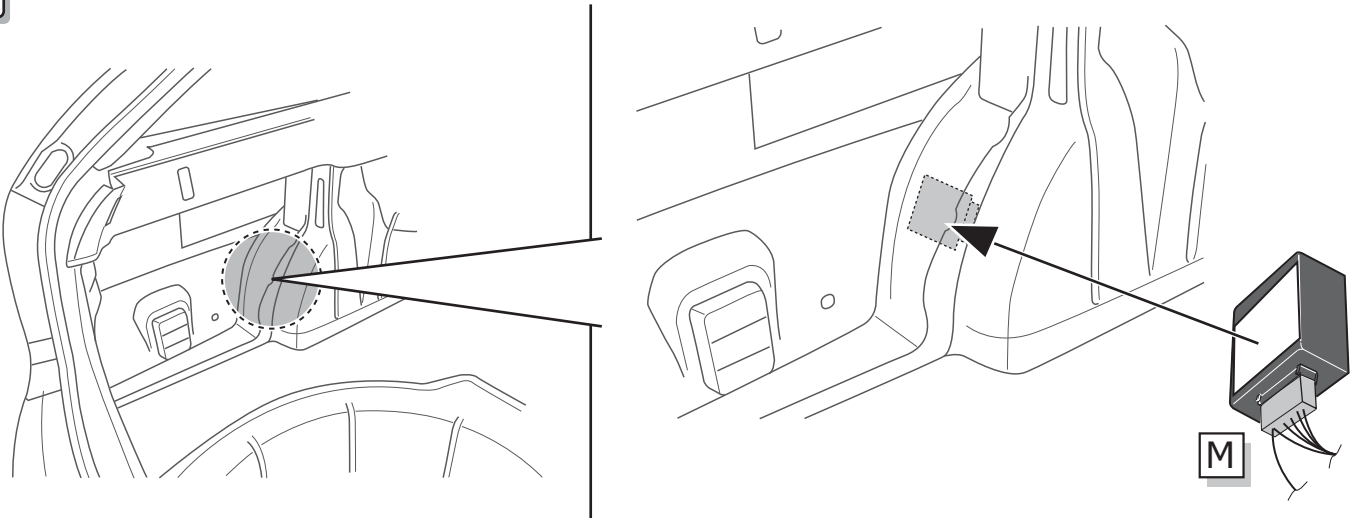
# Octavia Limo

9

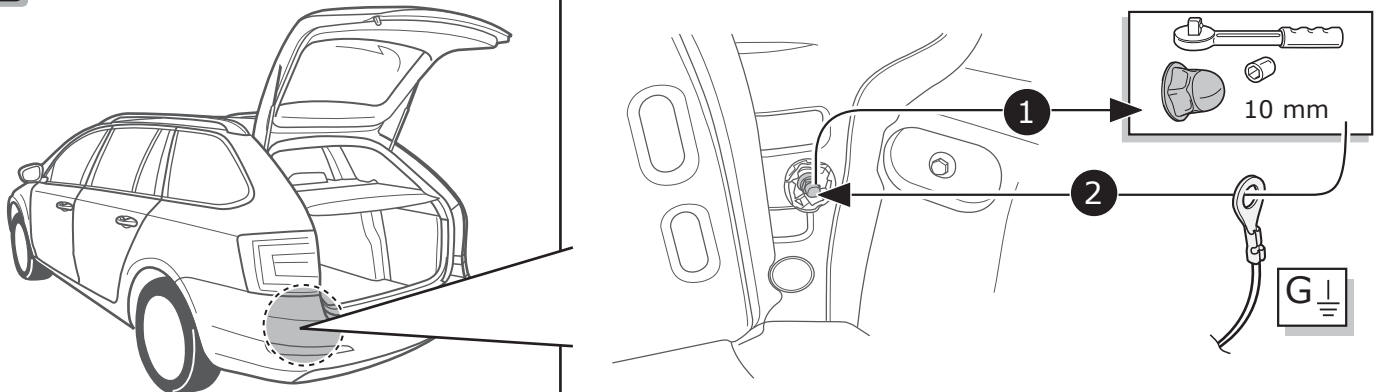


# Octavia Combi

10

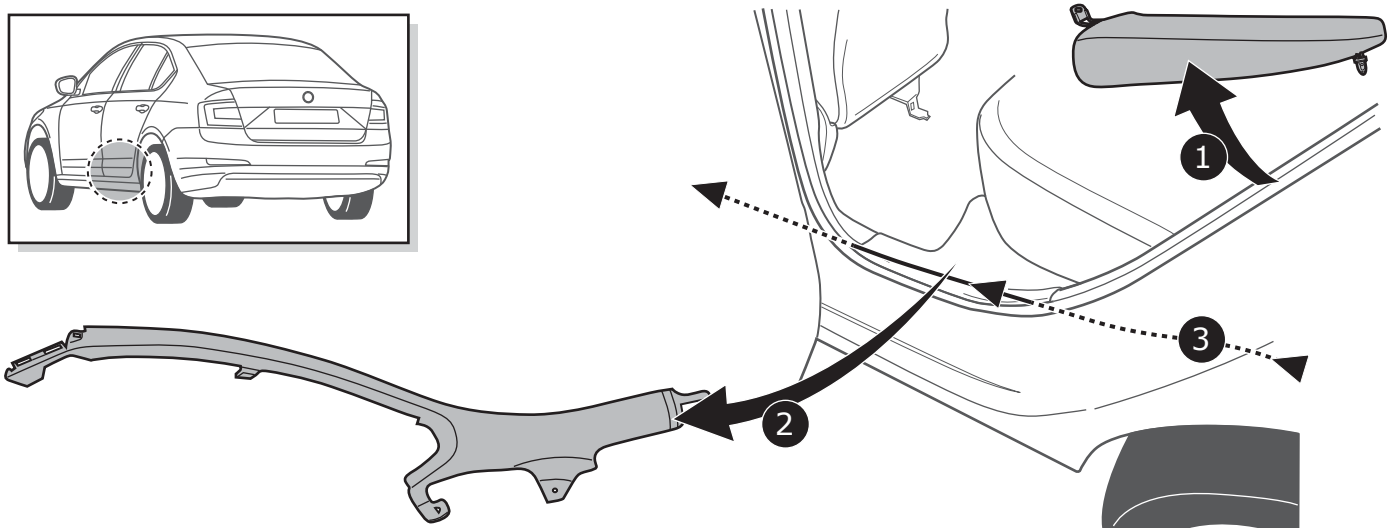
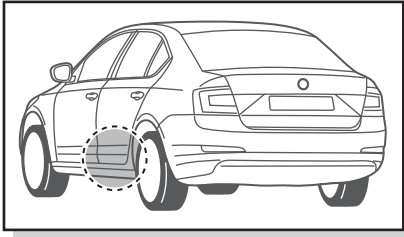


11

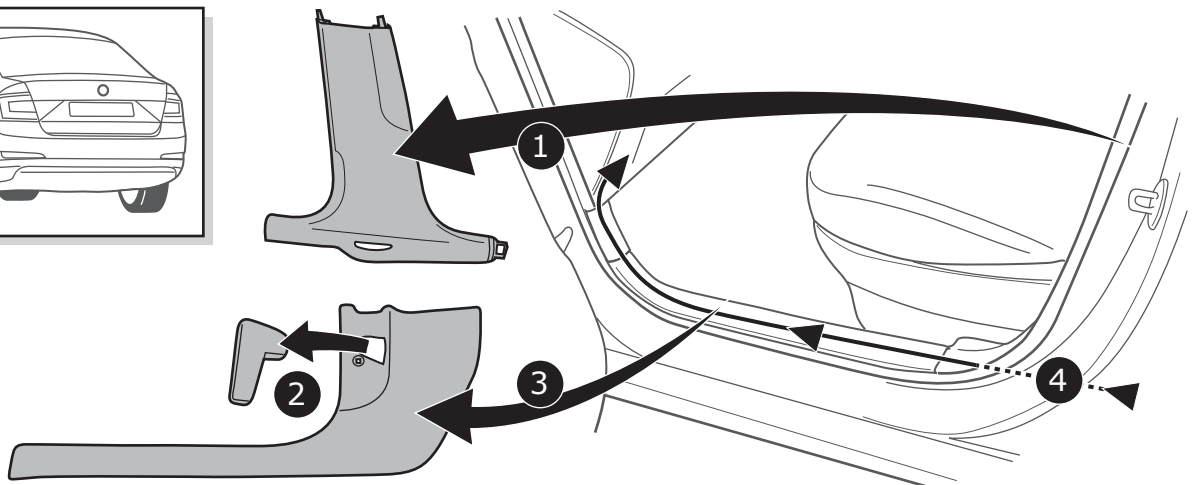
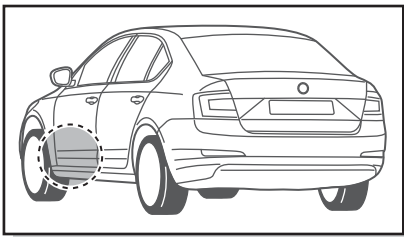




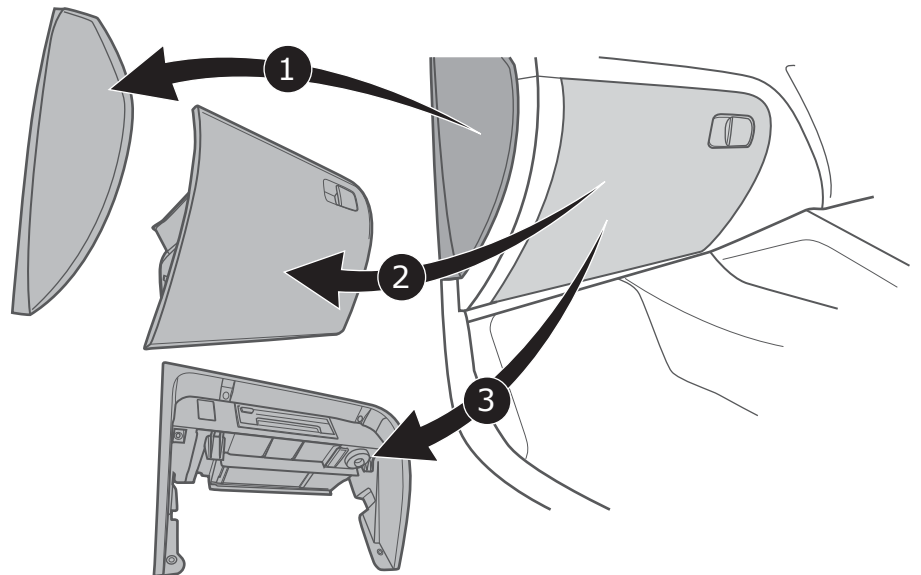
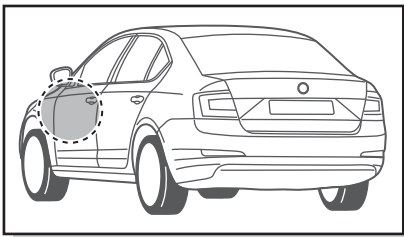
12



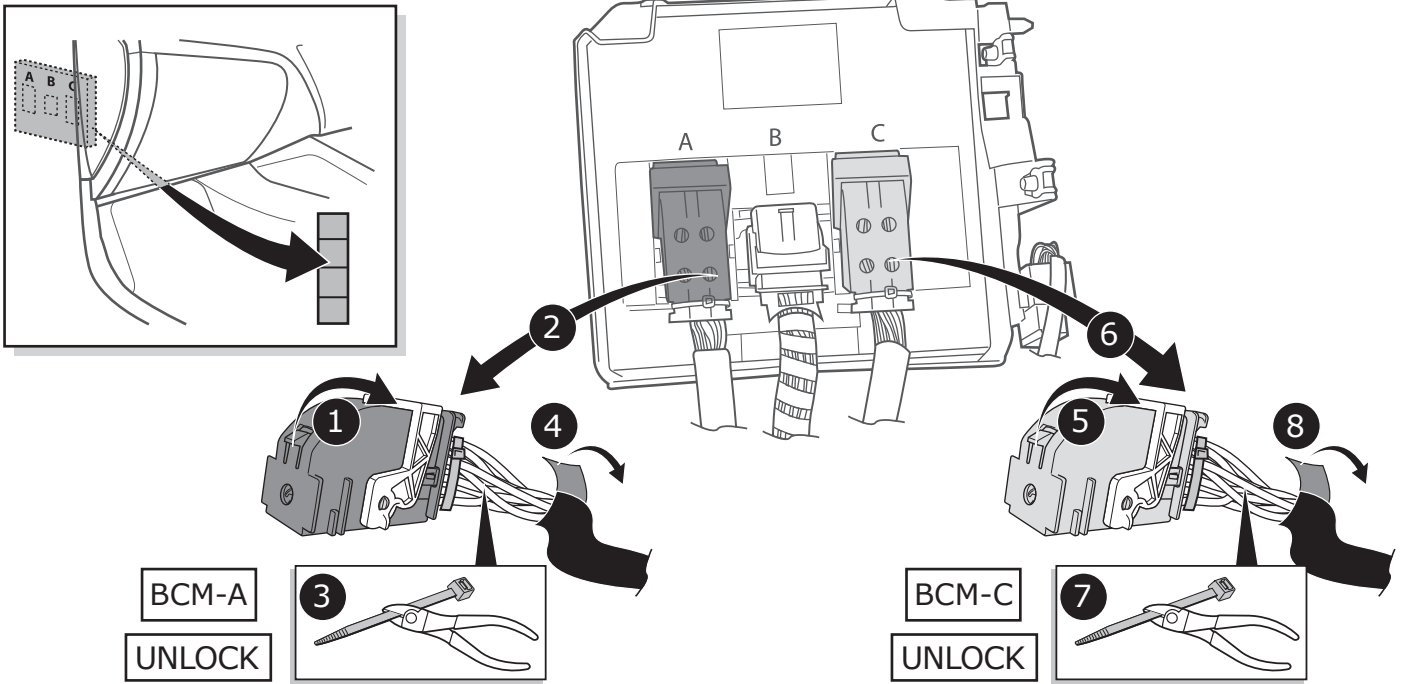
13



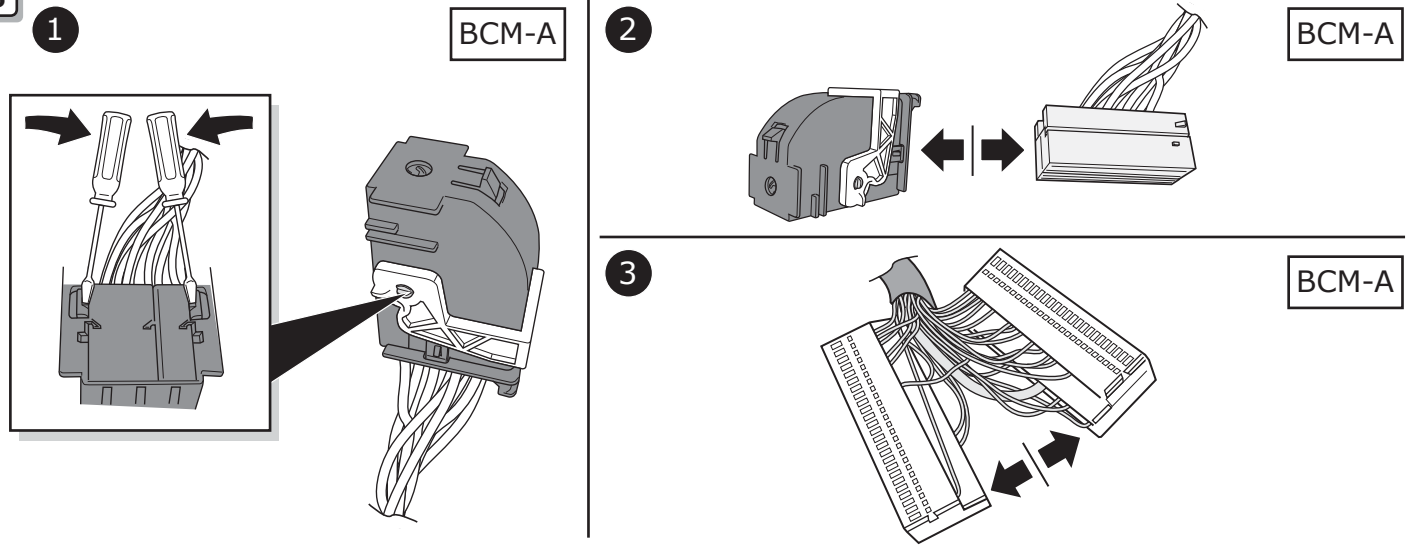
14



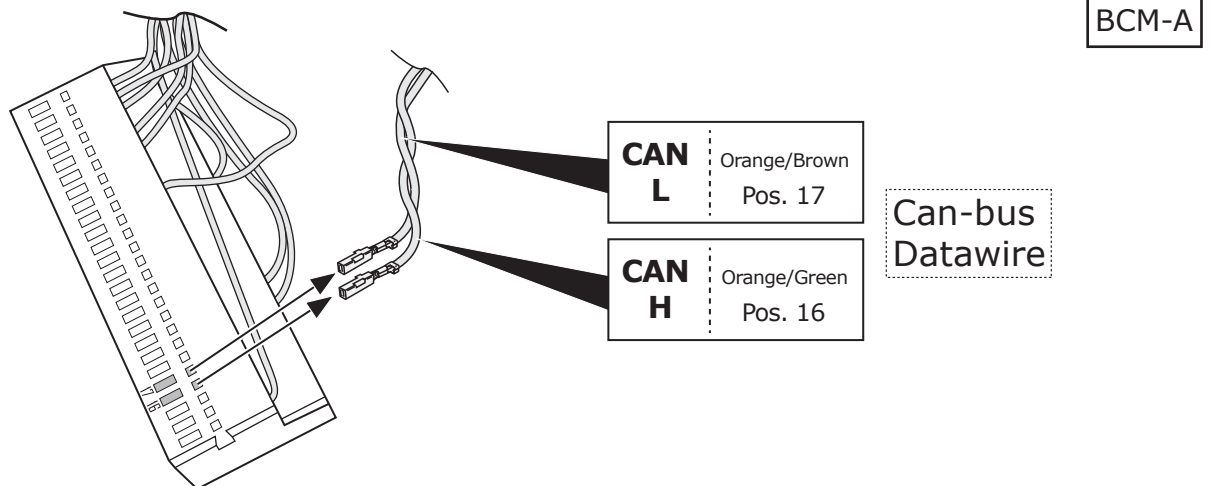
15



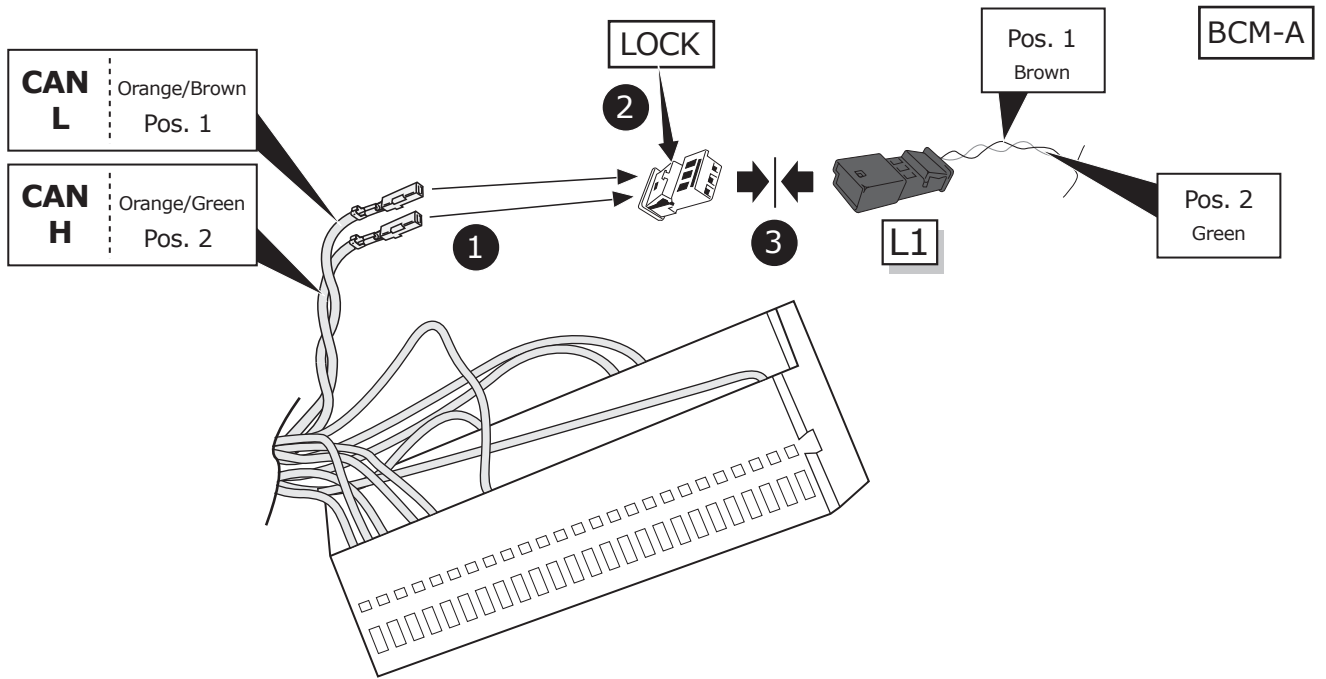
16



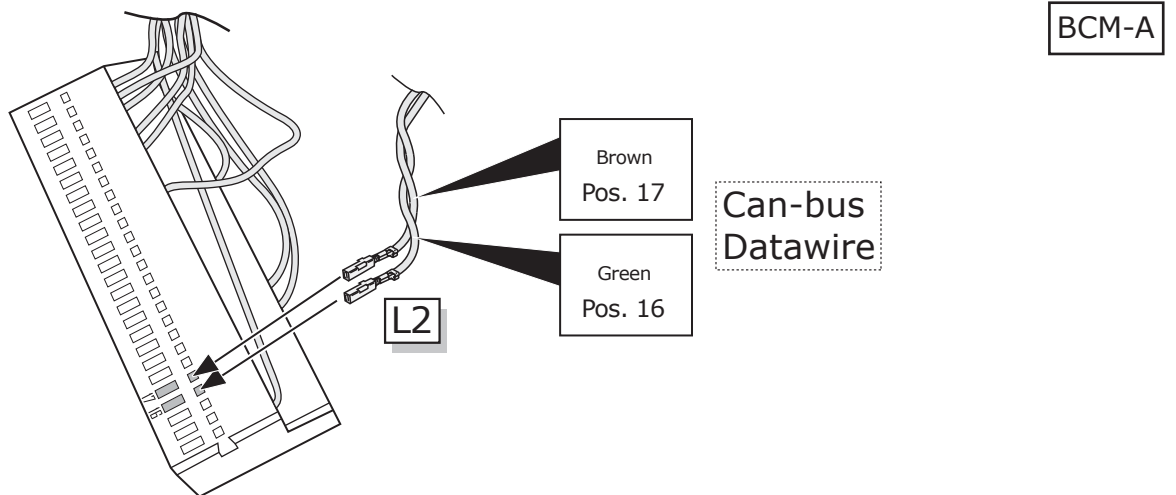
17



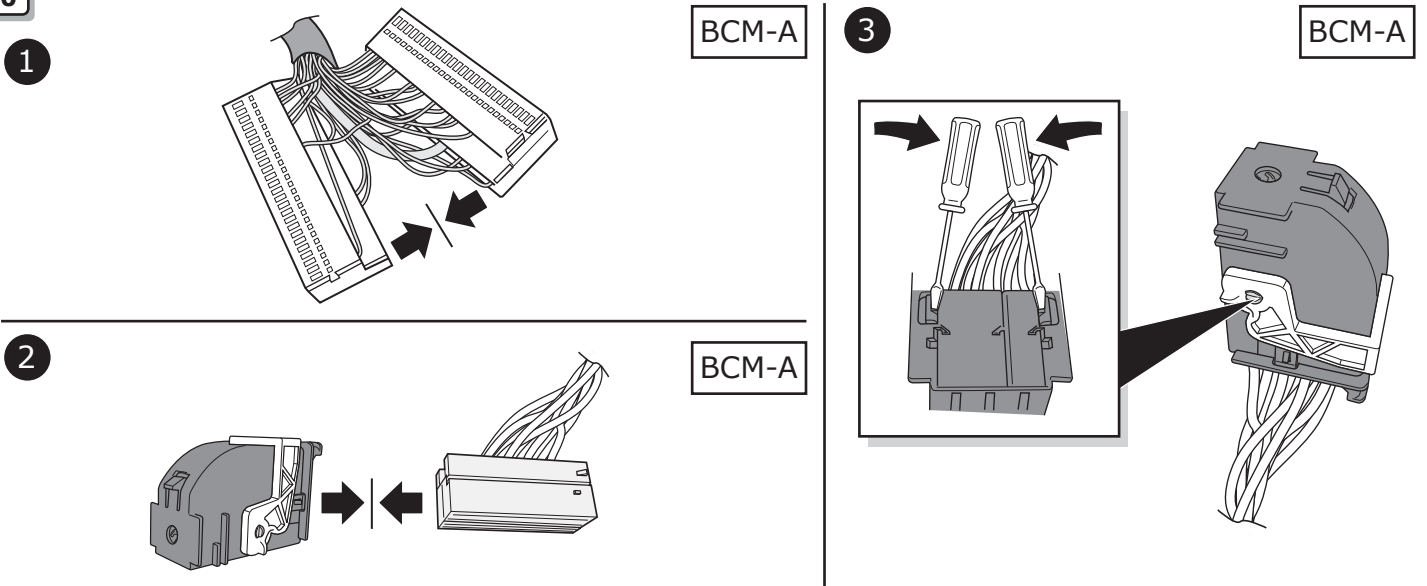
18



19



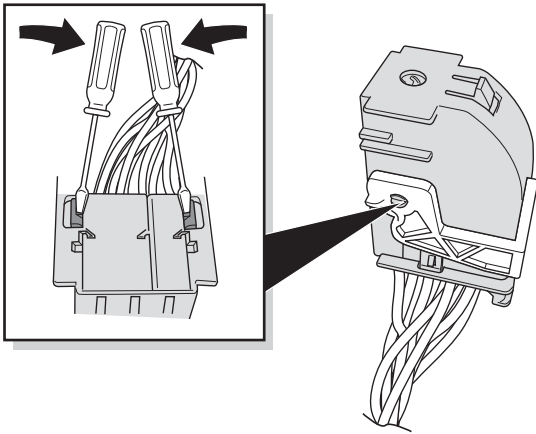
20



21

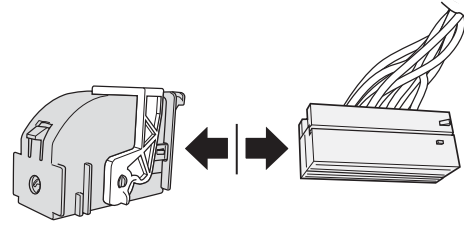
1

BCM-C



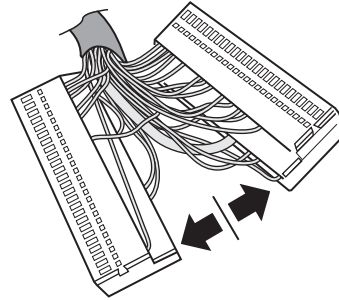
2

BCM-C



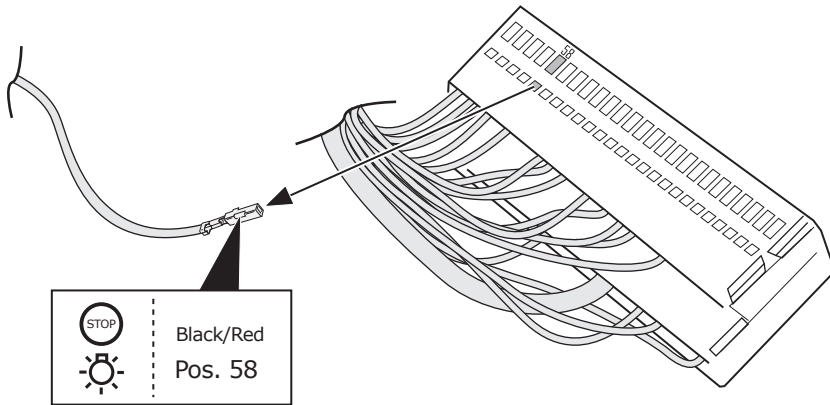
3

BCM-C



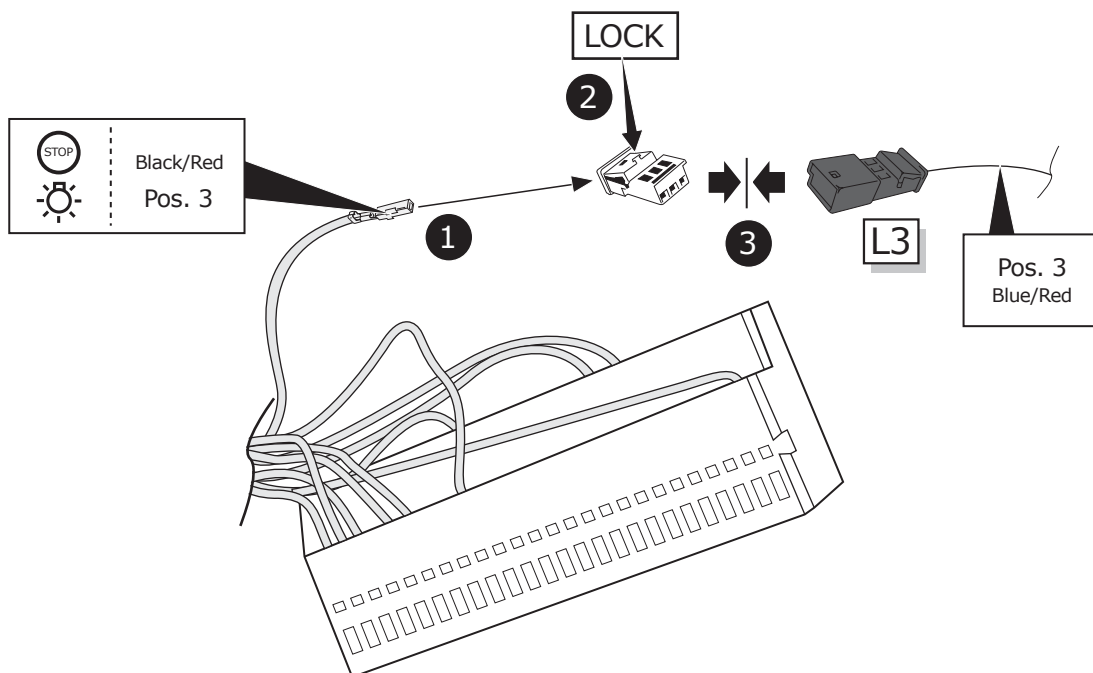
22

BCM-C



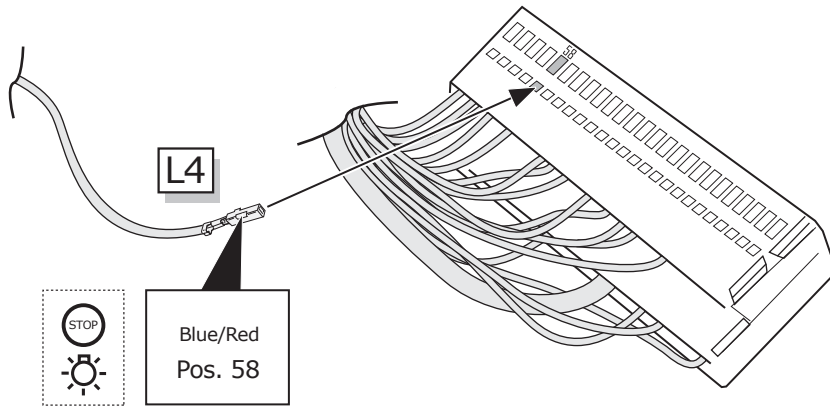
23

BCM-C



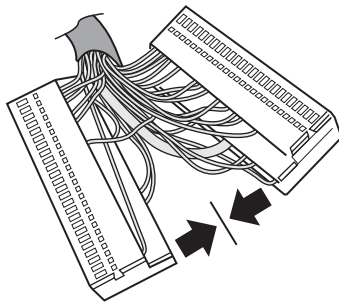
24

BCM-C

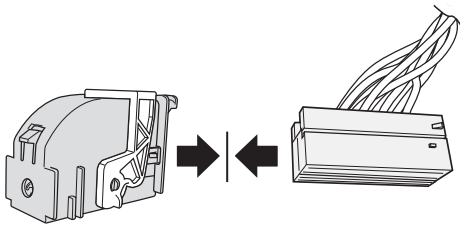


25

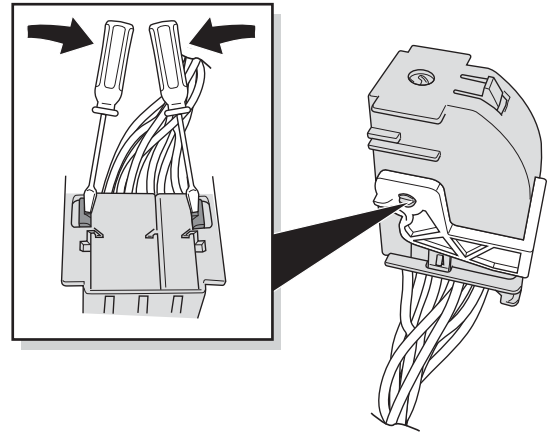
1



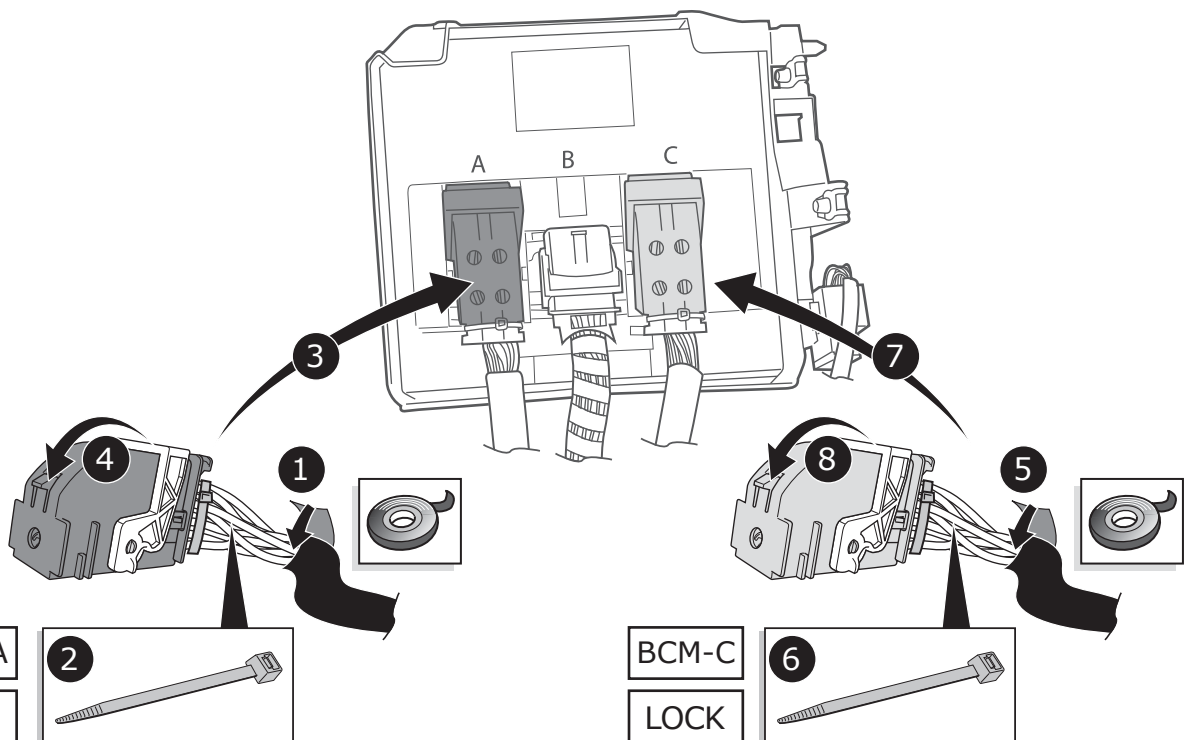
2



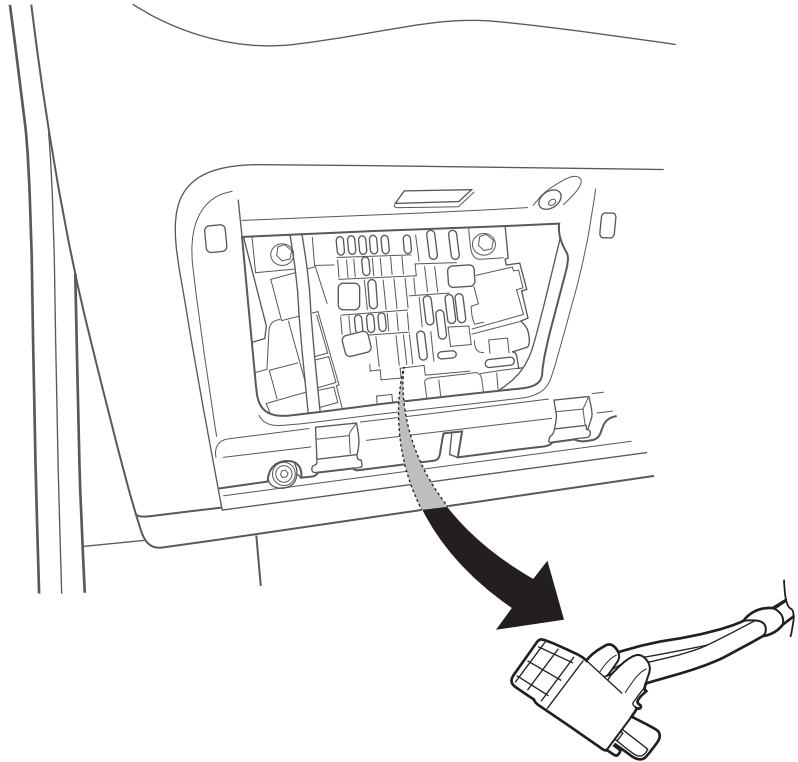
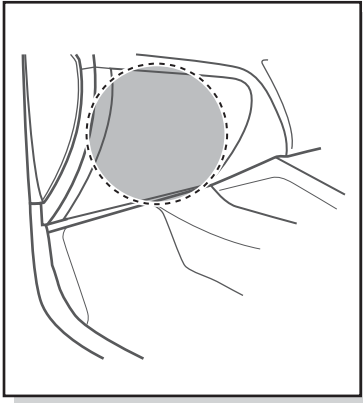
3



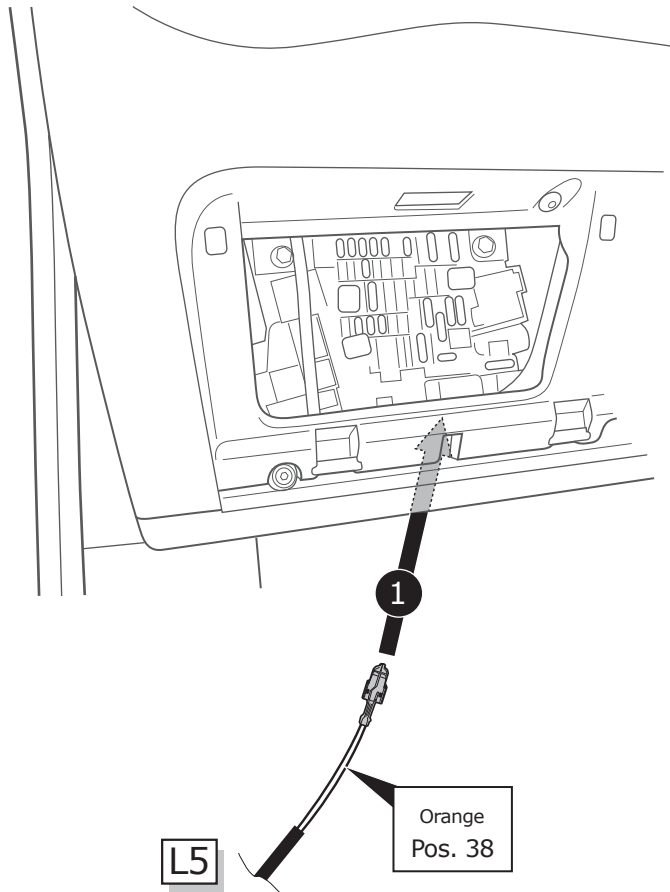
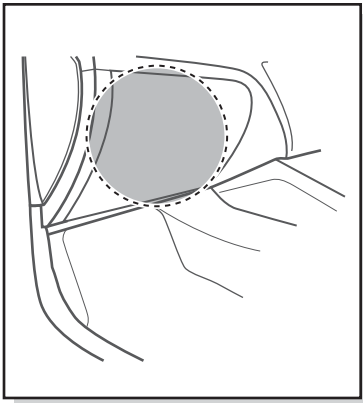
26



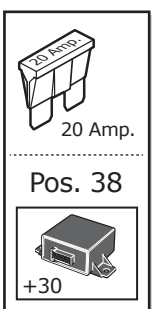
27



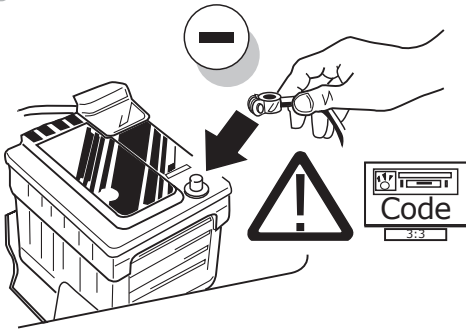
28



2



29



INFO

## ONLINE CODING



INFO

Warning! It must be ensured that all the requirements of the vehicle manufacturer for changes to and retro-fitting on the vehicle and/or cooling system for the operation with a trailer are carried out. Subject to change.

30

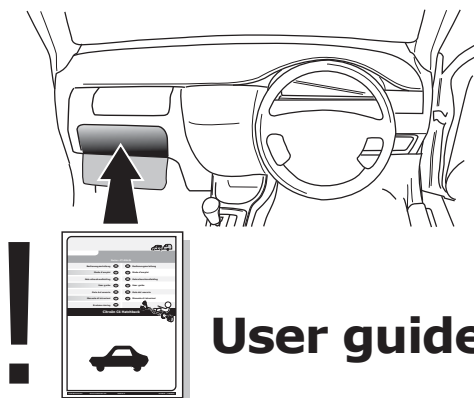


TEST ALL THE CIRCUITS WITH A TEST DEVICE WITH THE CORRECT POWER LOAD FOR EACH FUNCTION. A TEST DEVICE WITH LED'S CANNOT BE USED FOR THIS PURPOSE.

INFO

REINSTALL TRIM.

31



**User guide**

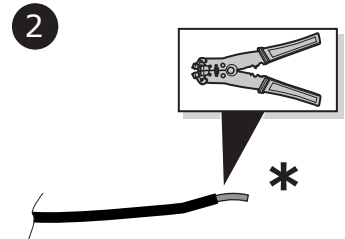
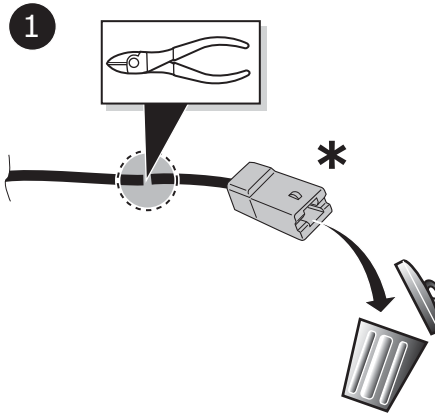
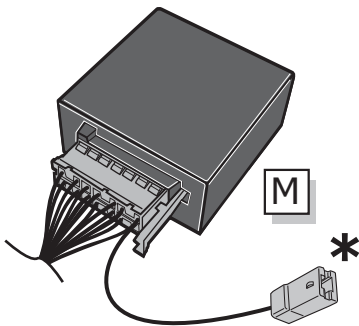


SOCKET CONNECTION

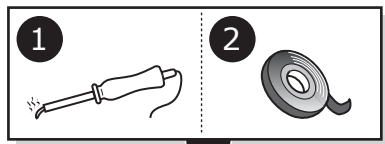
DIN/ISO 1724							
	1/L	2	3/31	4/R	5/58-R	6/54	7/58-L
Pmax	21W	21W		21W	42W	3x21W	42W
Colour	Black/ White	Blue	Brown	Black/ Green	Grey/ Red	Black/ Red	Grey/ Black

Reverse signal preparation

A



B



MAX = 21W