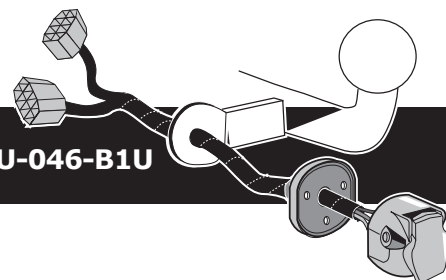


**VW Golf VII 5G Limo 10/2012 - 05/2014**  
**VW Golf VII 5G Variant 08/2013 - 05/2014**

Only for models without towbar prepared connector

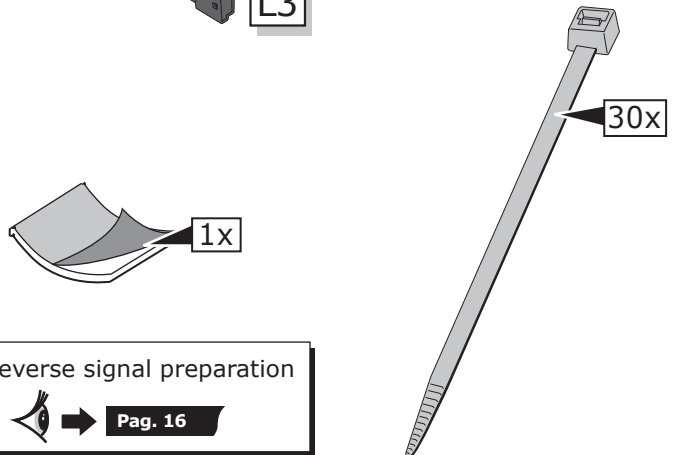
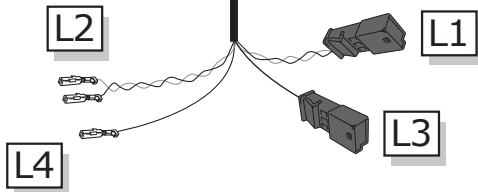
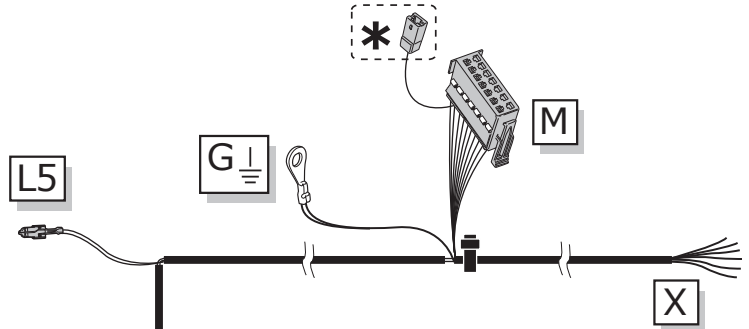
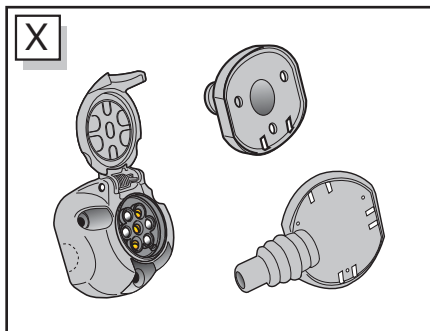
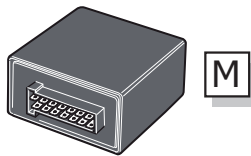
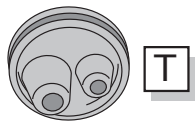
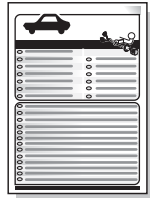
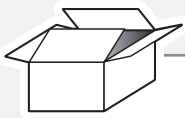
Partnr.: AU-046-B1U



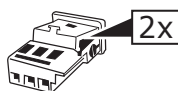
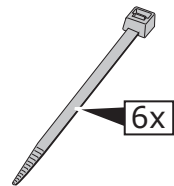
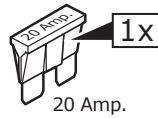
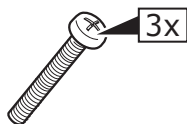
- Fitting instructions electric wiring kit tow bar with 12-N socket up to DIN/ISO Norm 1724.
- We would expressly point out that assembly not carried out properly by a competent installer will result in cancellation of any right to damage compensation, in particular those arising by virtue of the product liability act.
- Contents of these kits and their fitting manuals are subject to alteration without notice, please ensure that these instructions are read and fully understood before commencing installation.
- Do not overload circuits; the maximum loads per connection are detailed in this manual.
- Attention! Before Installation, please read this manual carefully and inform your customer to consult the vehicle owners manual to check for any vehicle modifications required before towing.
- In the event of functional problems, troubleshooting must be limited to about 0.5 hours, contact the technical support:  
[ukts@ecs-electronics.com](mailto:ukts@ecs-electronics.com) / 07440 202 052.



# Part list

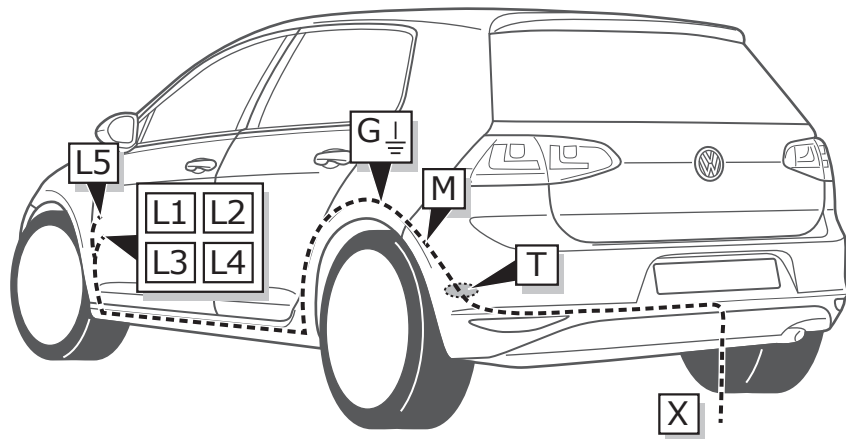


\* Reverse signal preparation  
 → **Pag. 16**

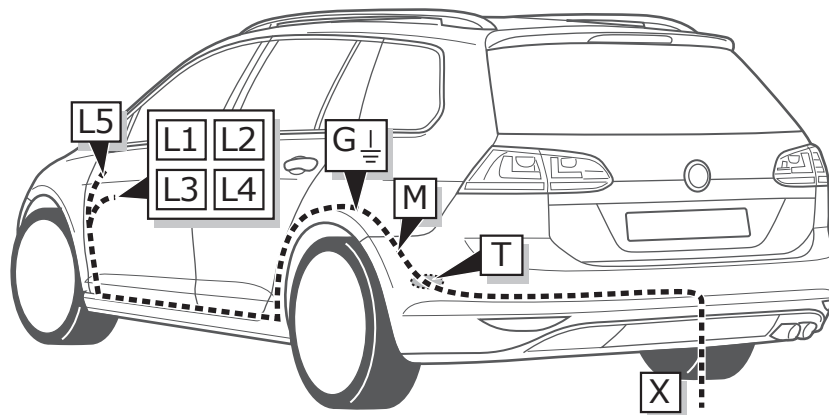


**ROUTING**

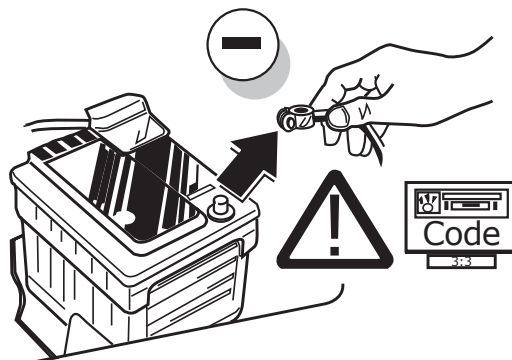
**Golf VII 5G Limo**



**Golf VII 5G Variant**

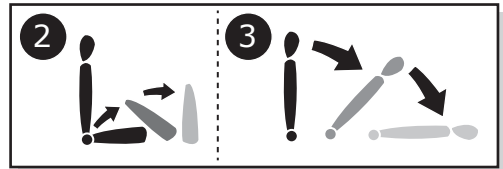
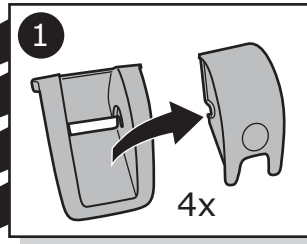
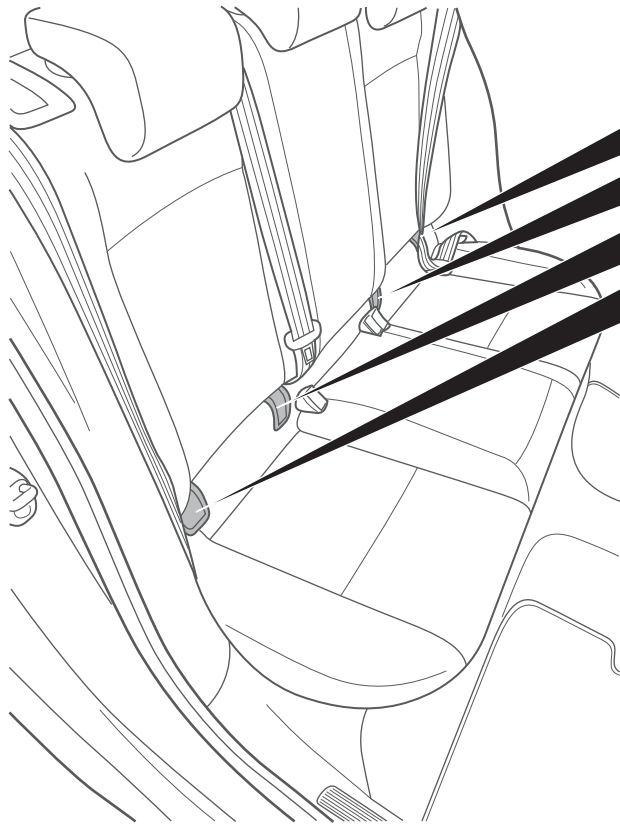


1



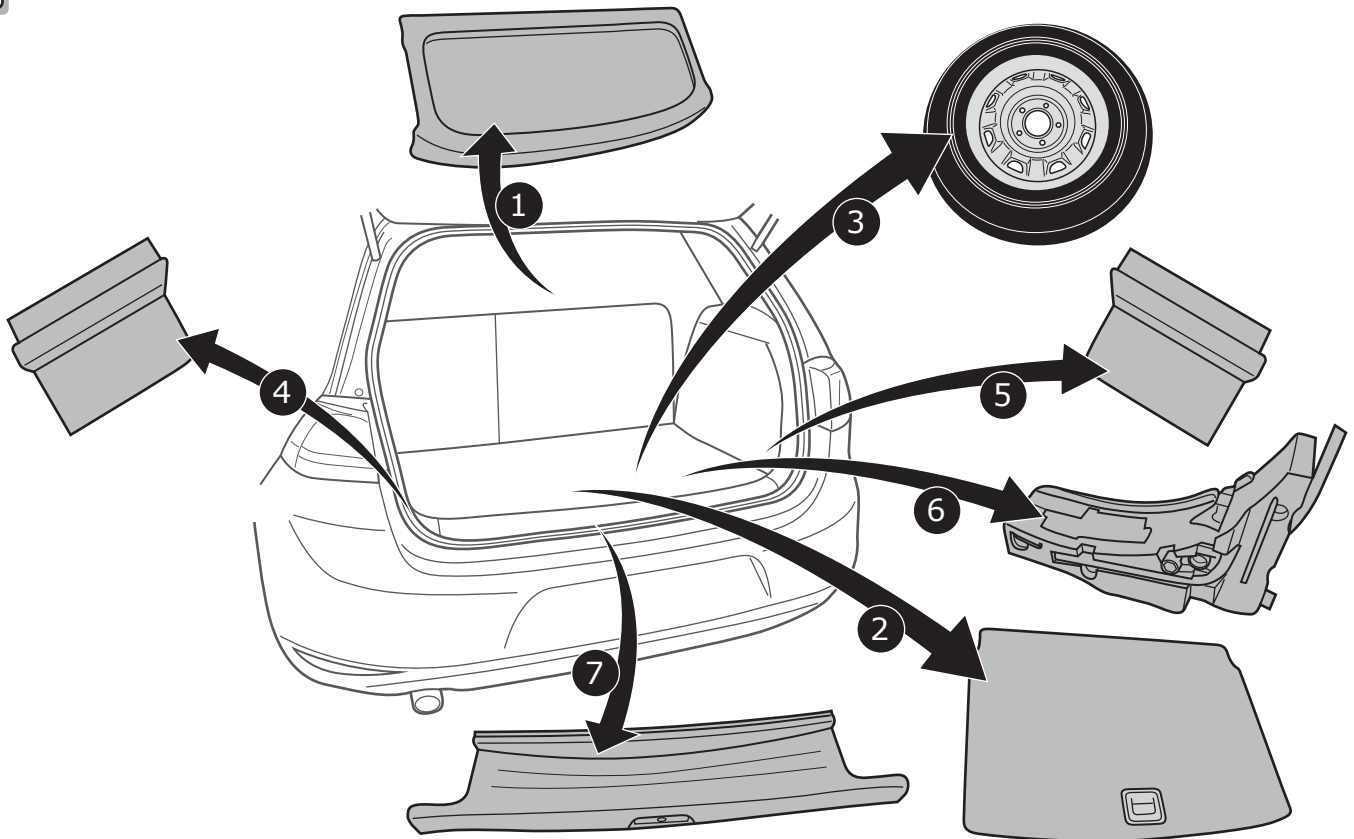
# Golf VII 5G Limo / Variant

2



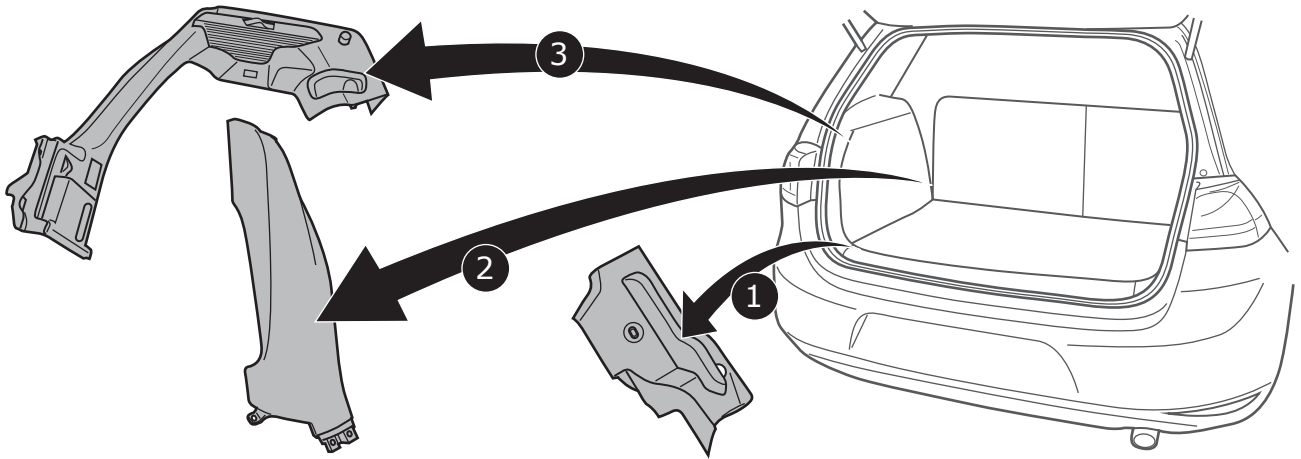
# Golf VII 5G Limo

3

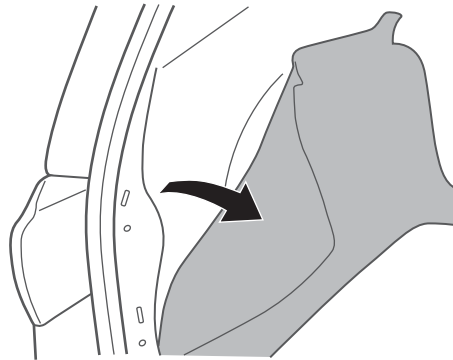
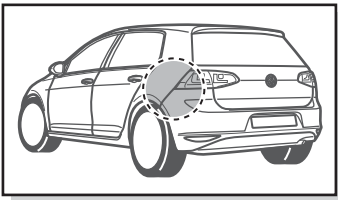


## Golf VII 5G Limo

4

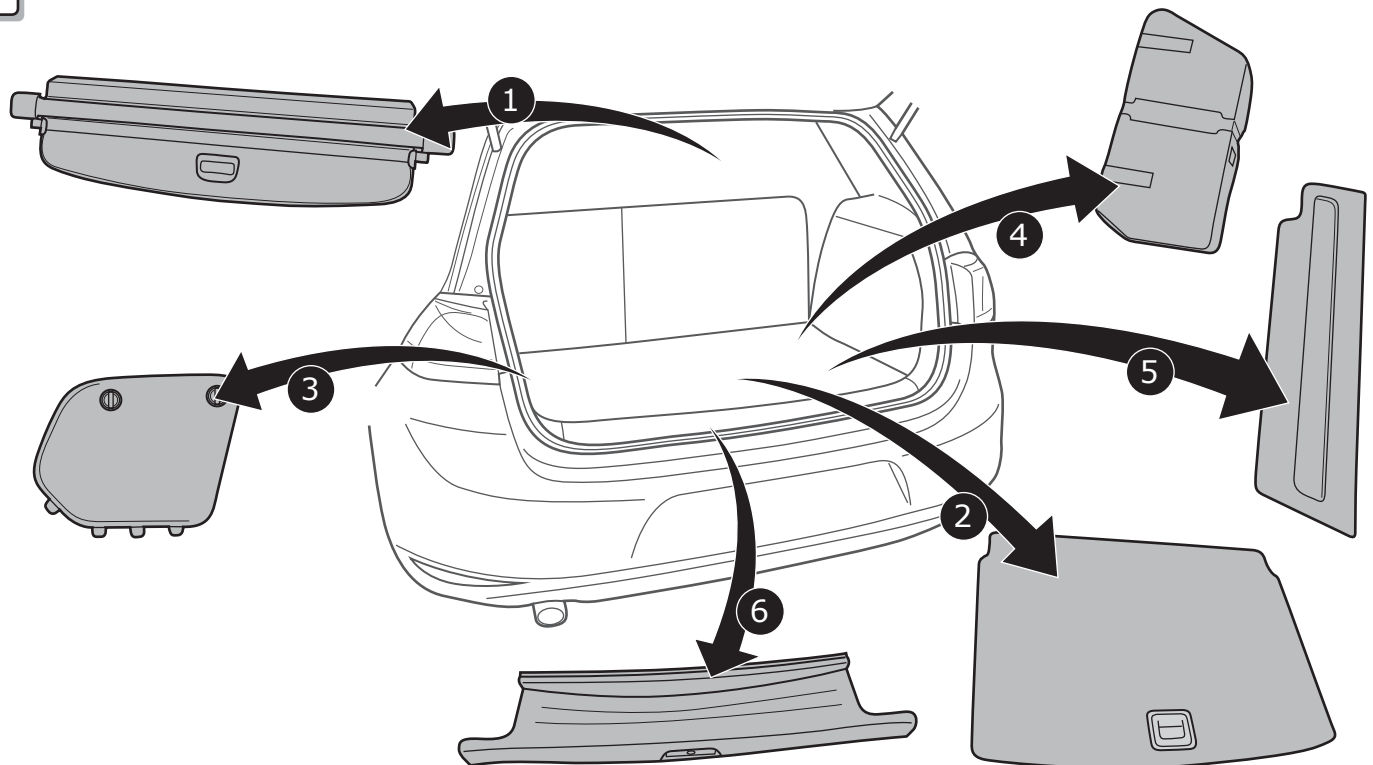


5



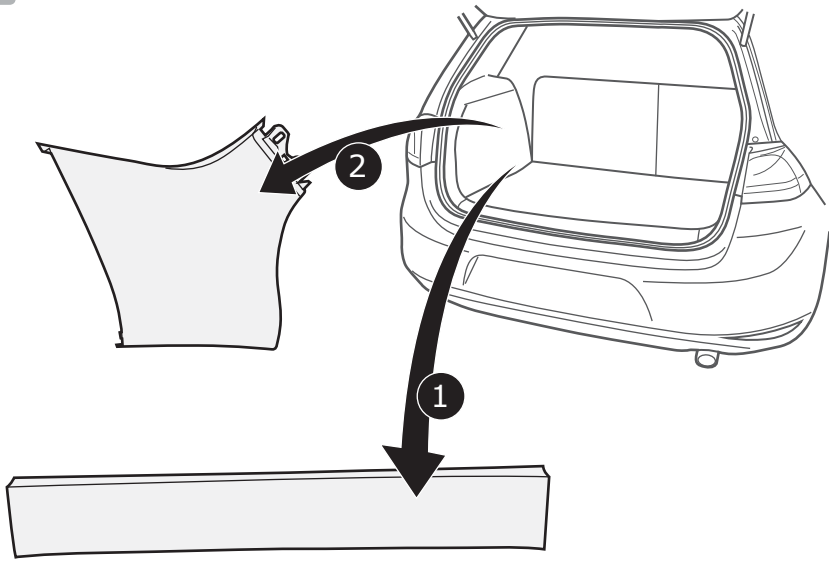
## Golf VII 5G Variant

6

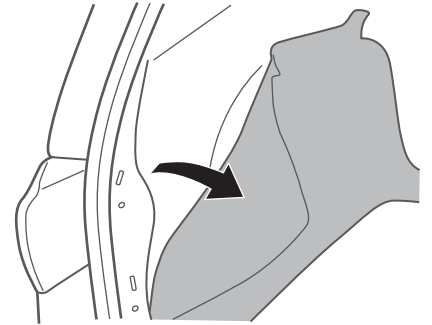
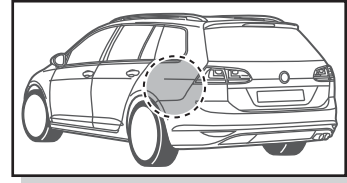


# Golf VII 5G Variant

7

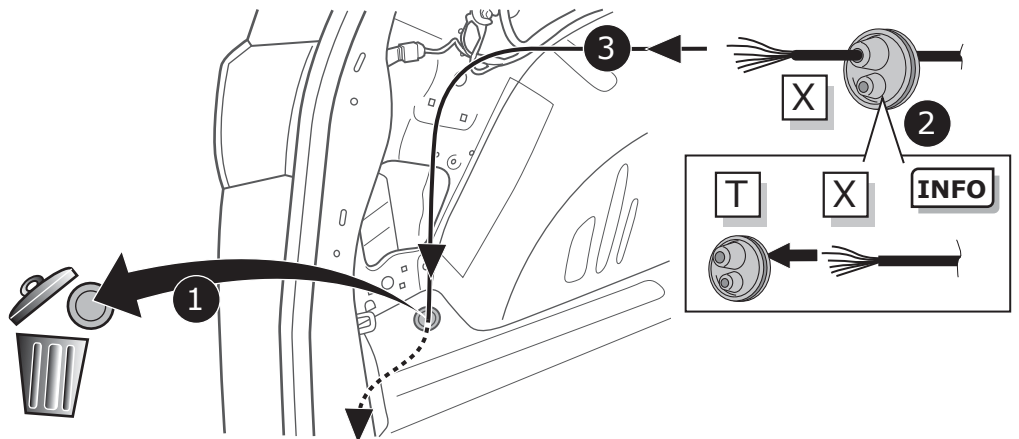
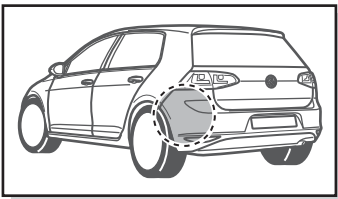


8



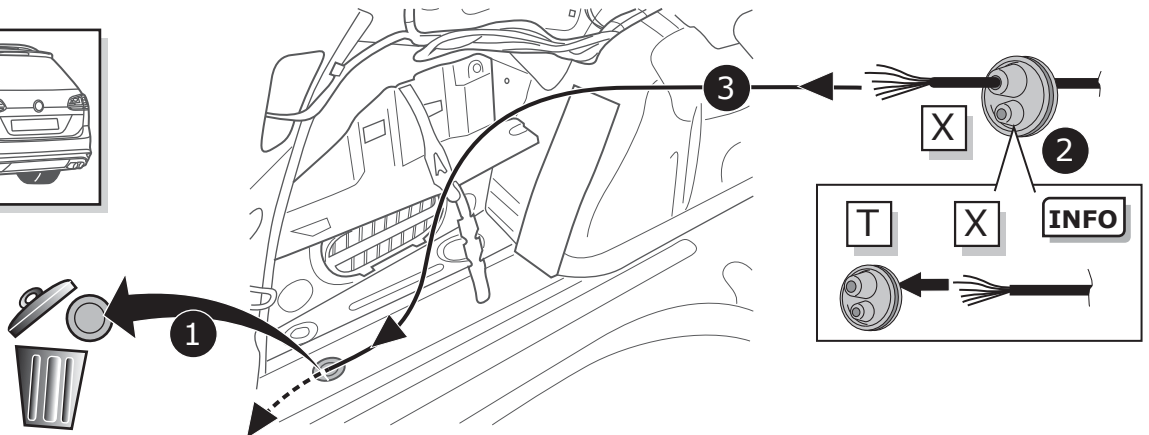
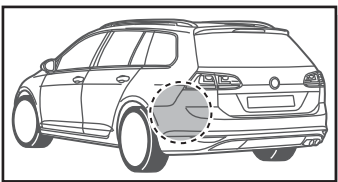
# Golf VII 5G Limo

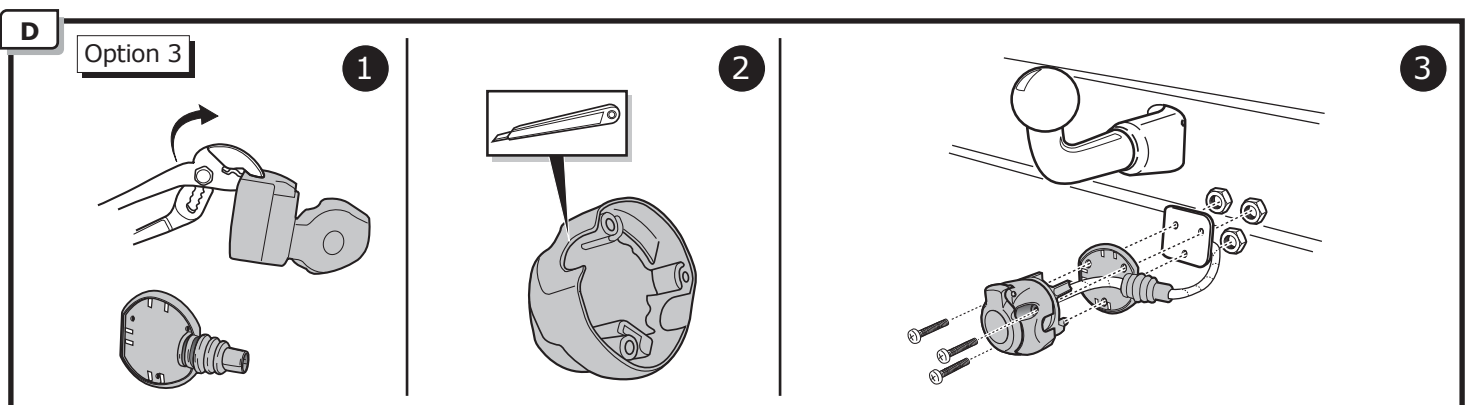
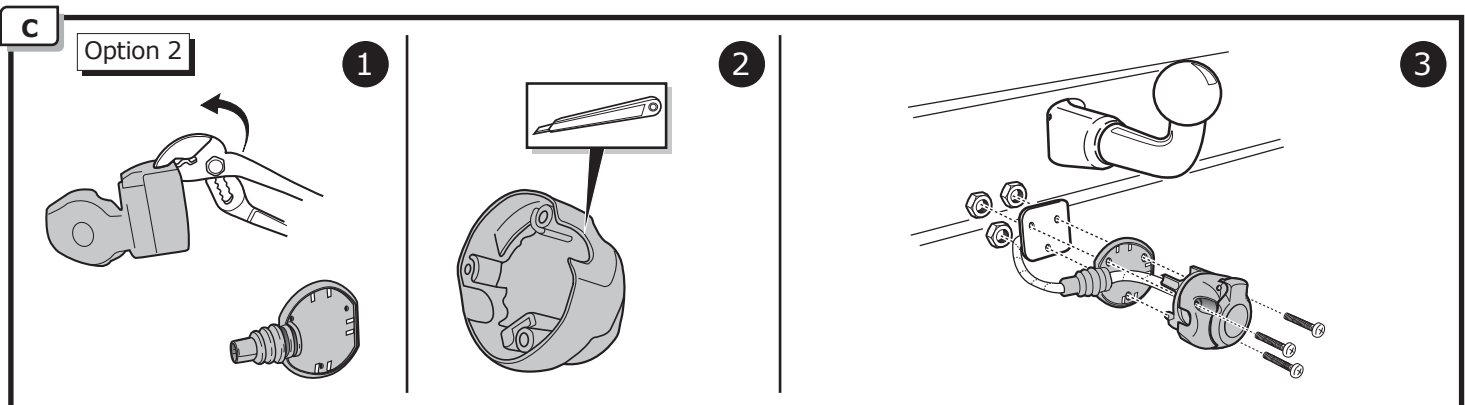
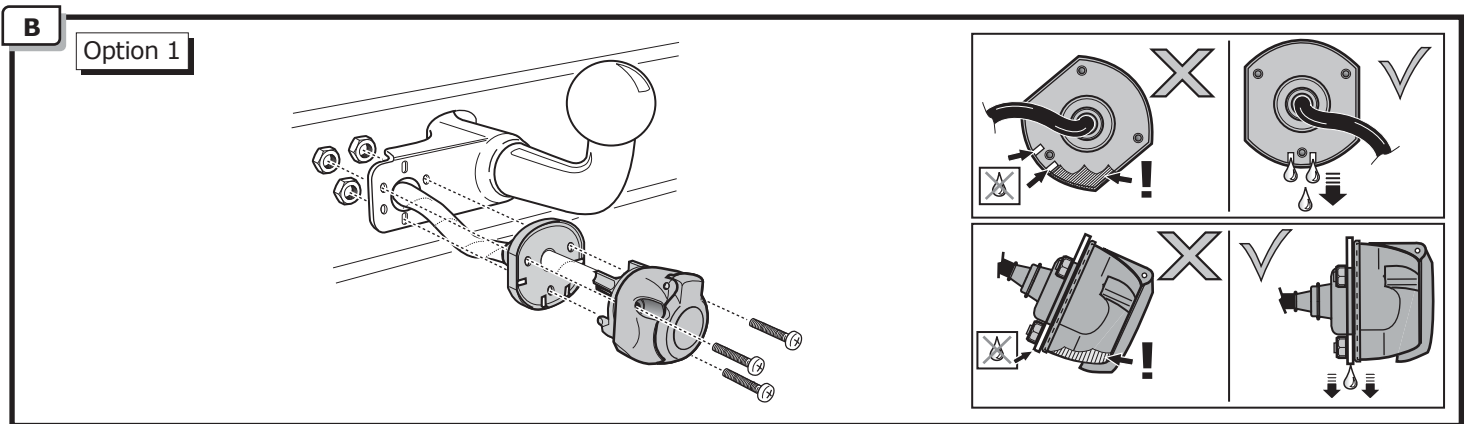
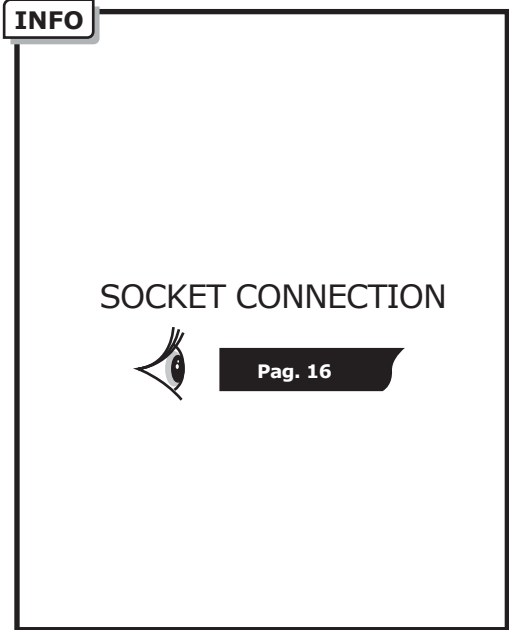
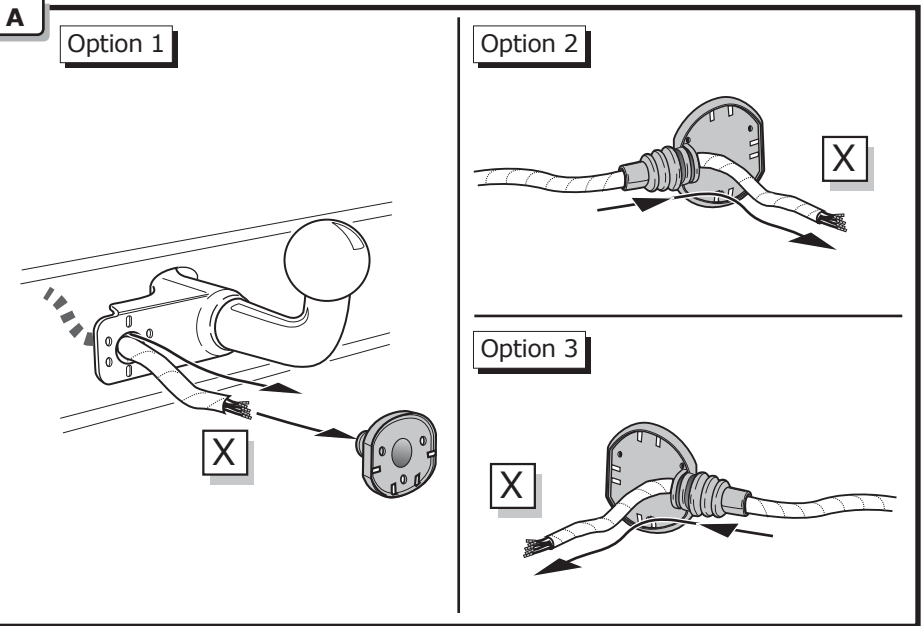
9



# Golf VII 5G Variant

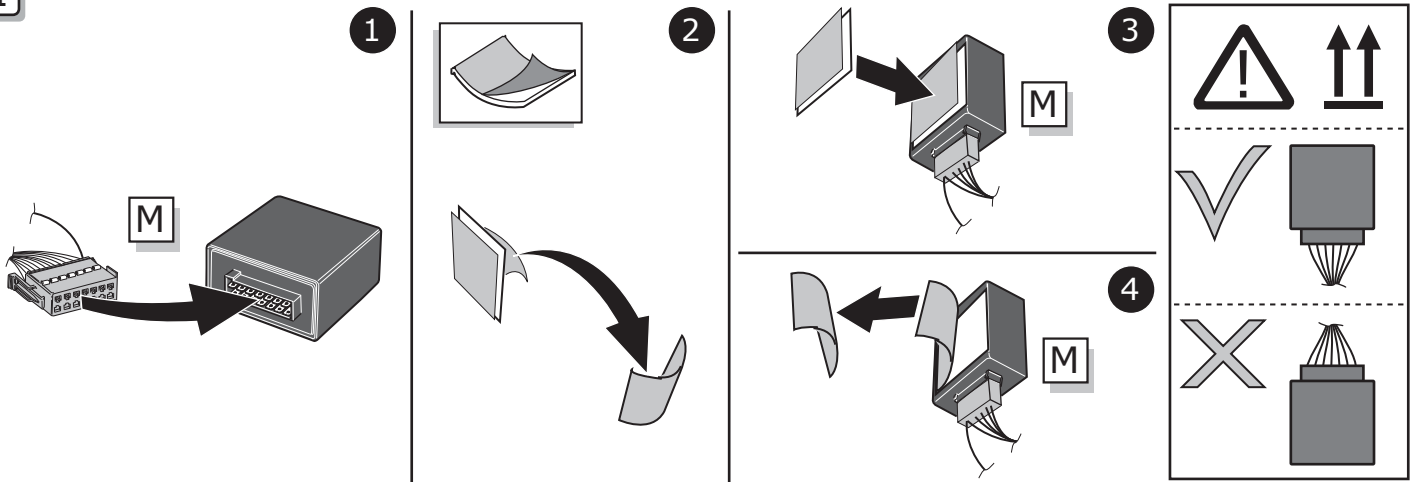
10





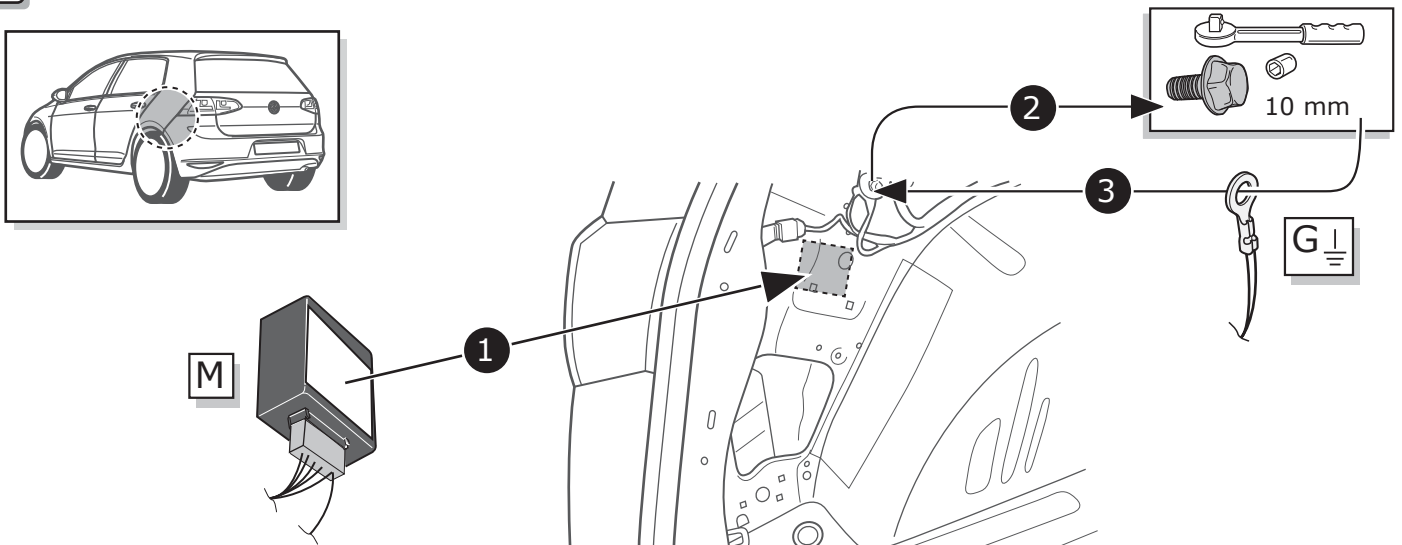
## Golf VII 5G Limo / Variant

11



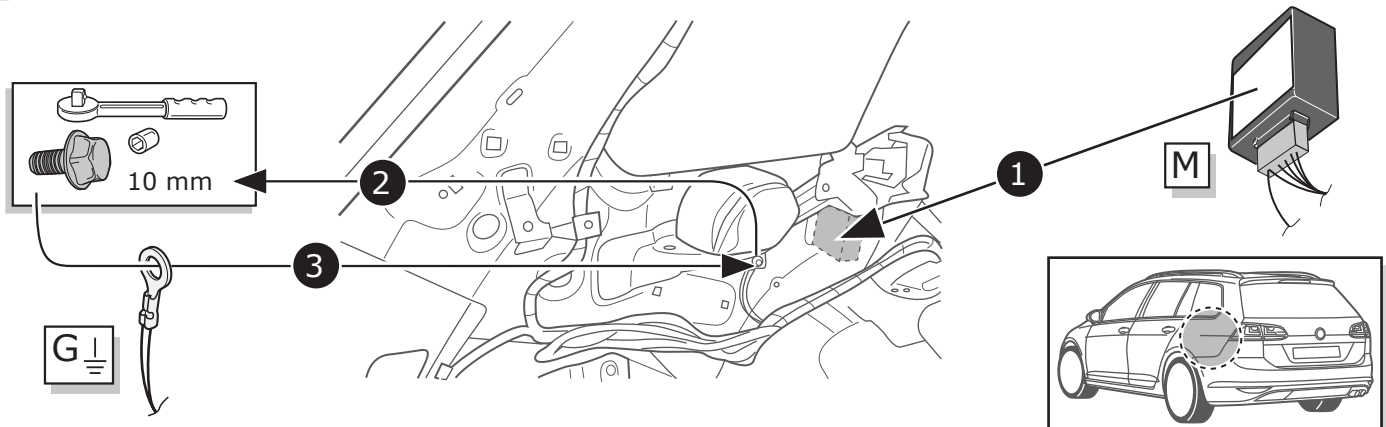
## Golf VII 5G Limo

12



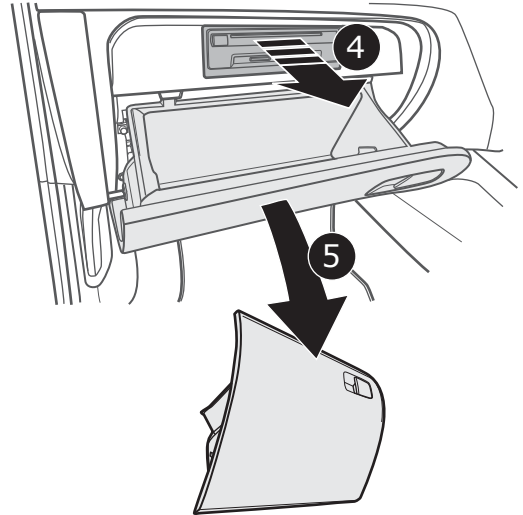
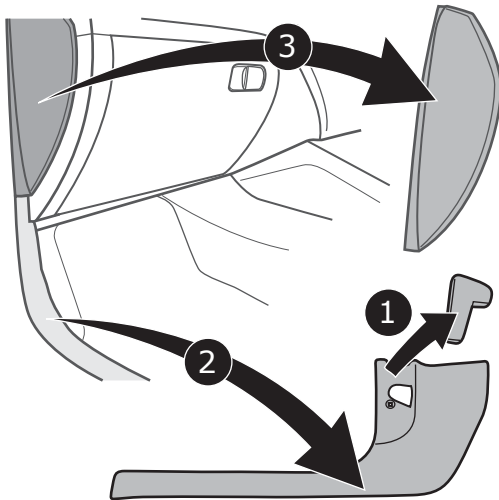
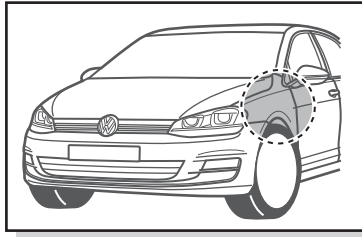
## Golf VII 5G Variant

13

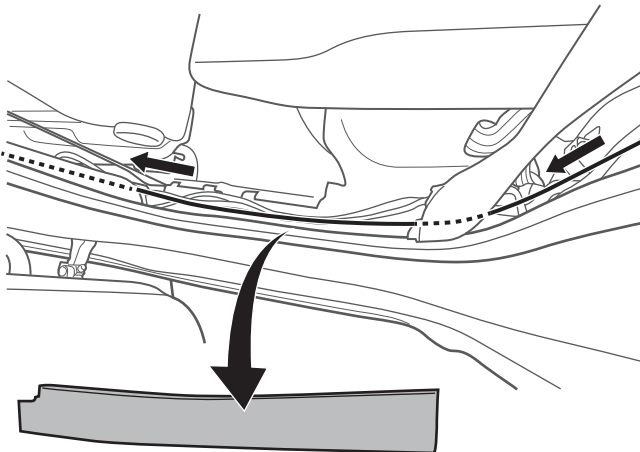




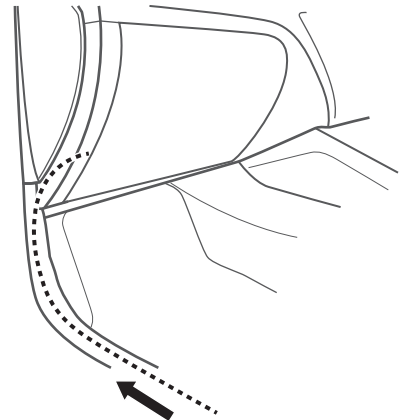
14



15

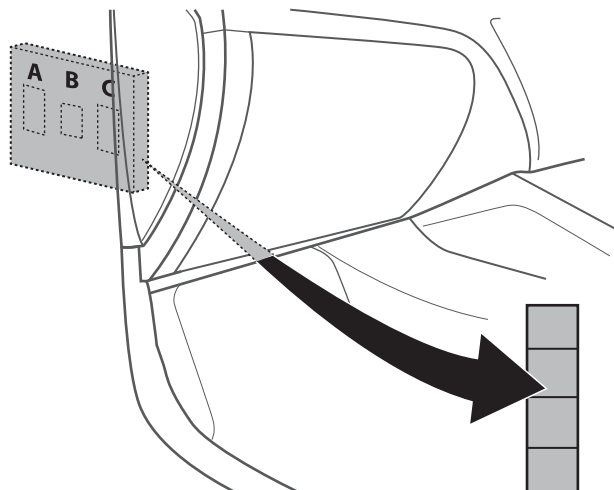
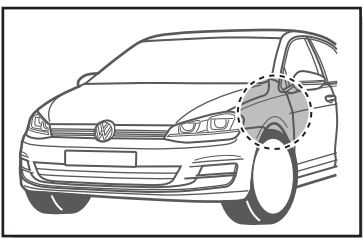


1

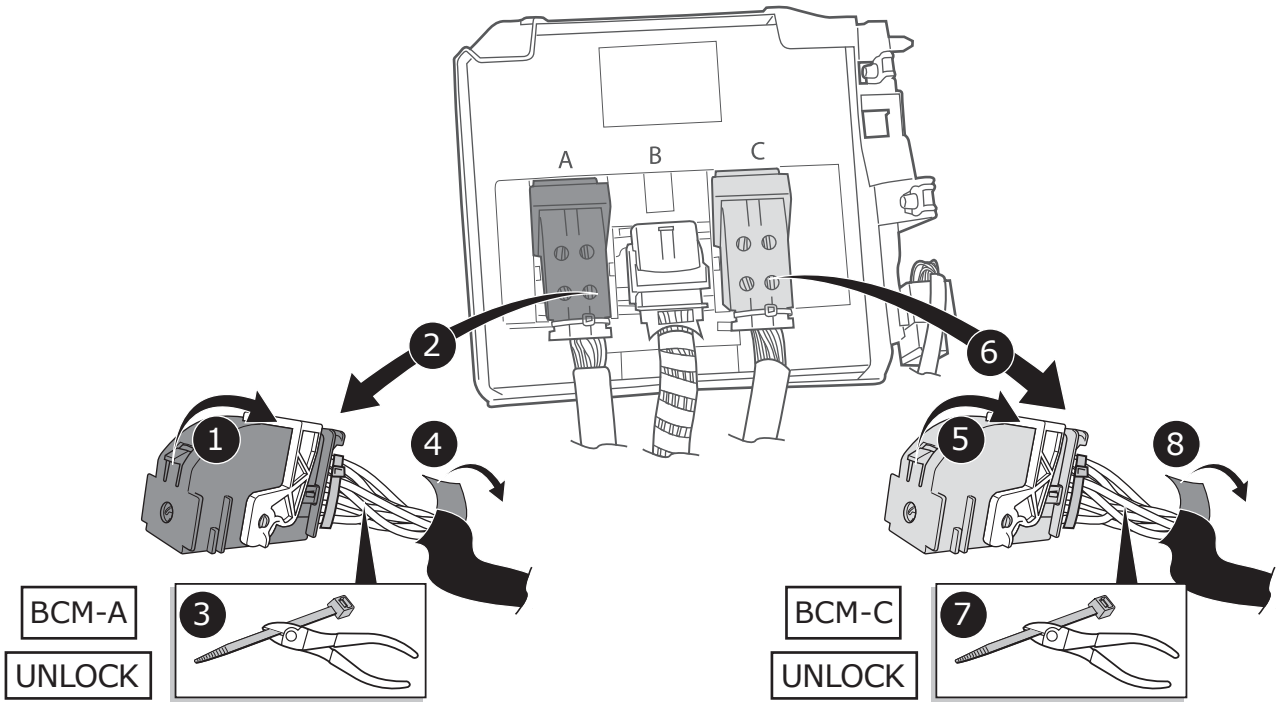


2

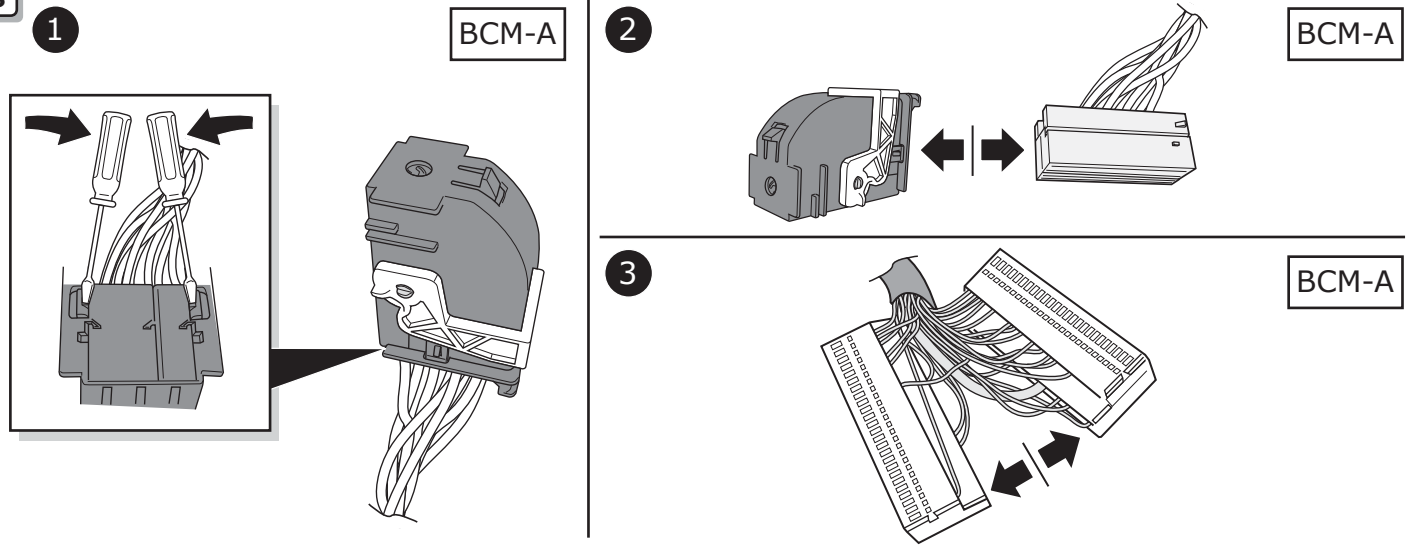
16



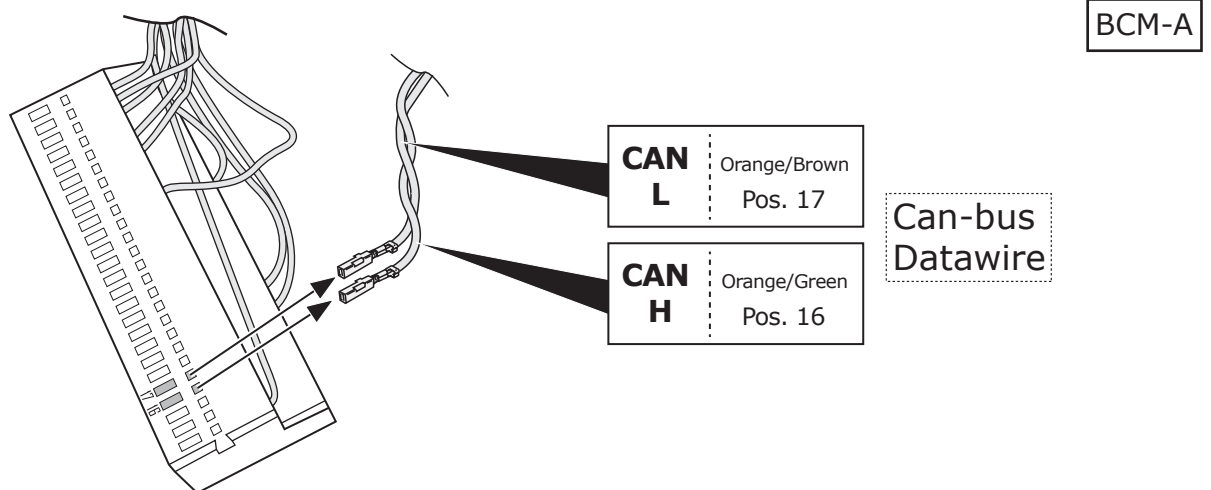
17



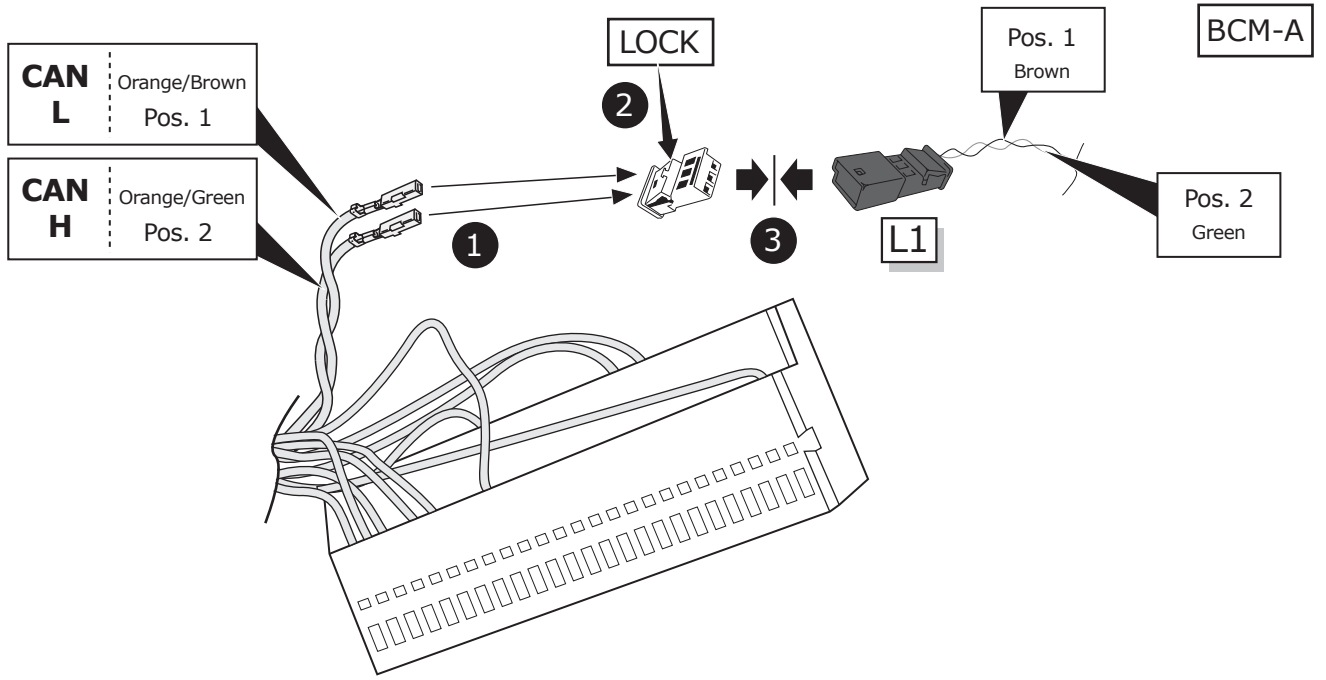
18



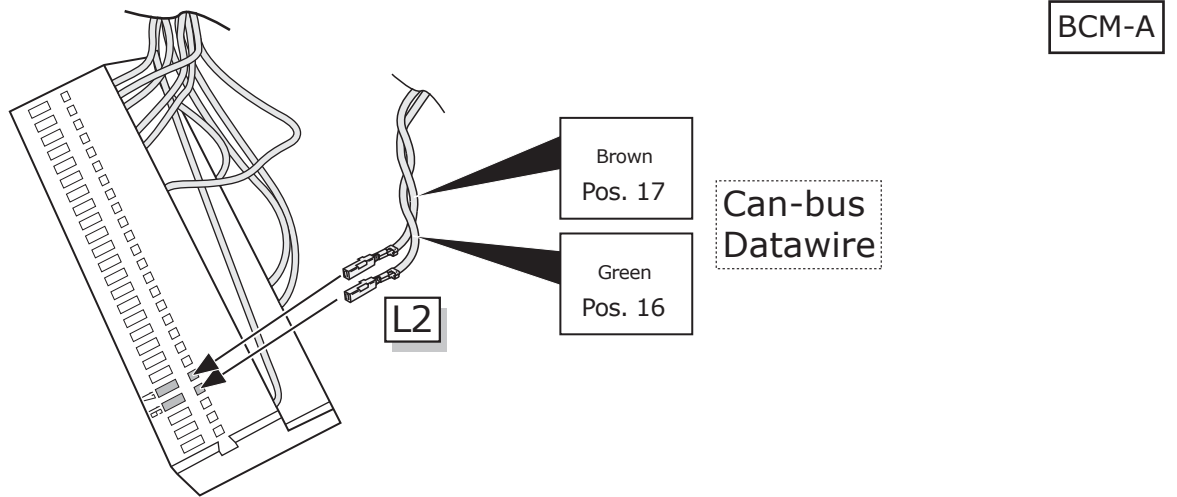
19



20

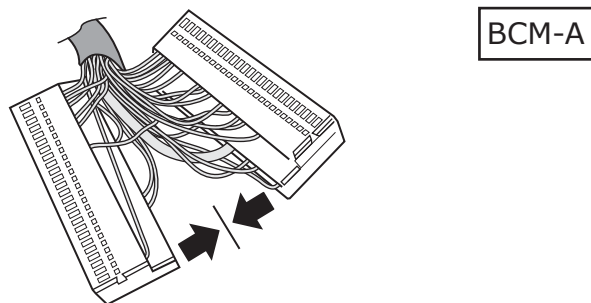


21

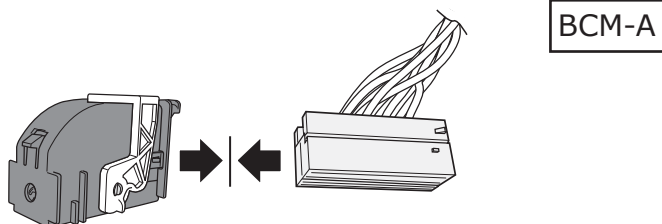


22

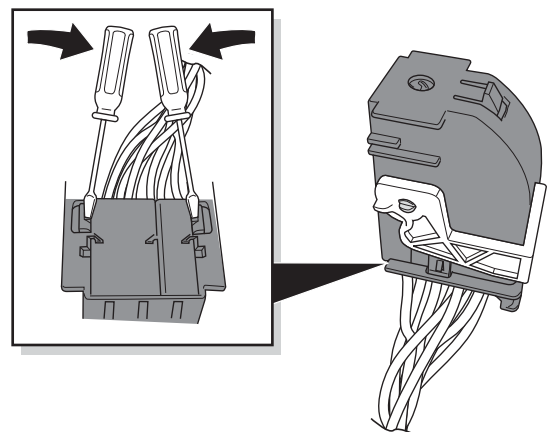
1



2



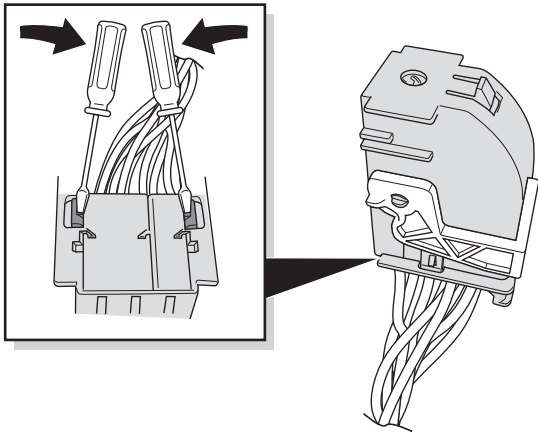
3



23

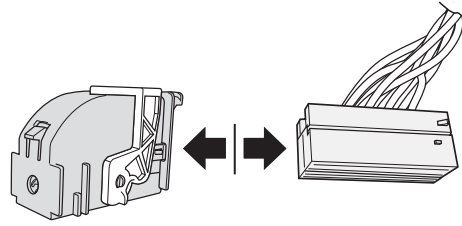
1

BCM-C



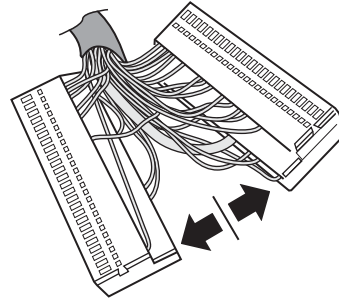
2

BCM-C



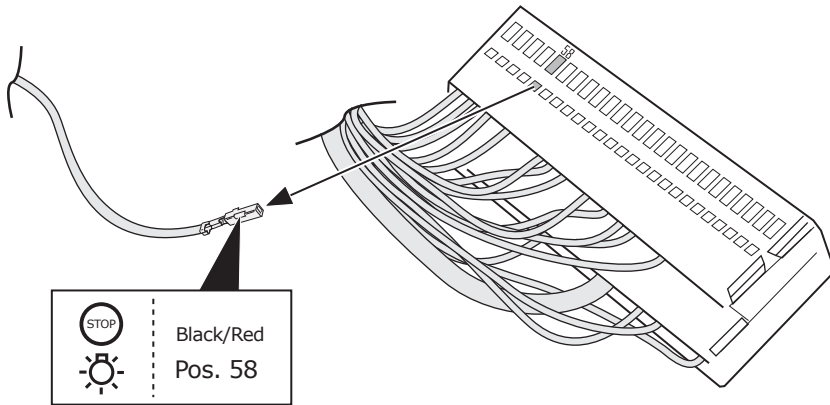
3

BCM-C



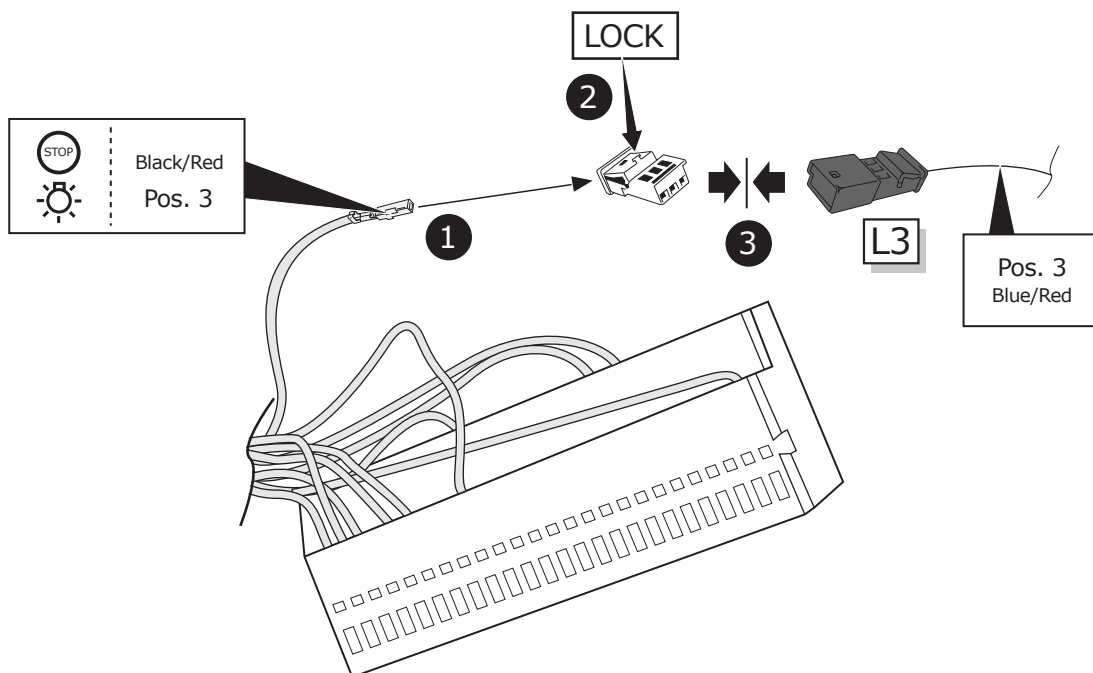
24

BCM-C



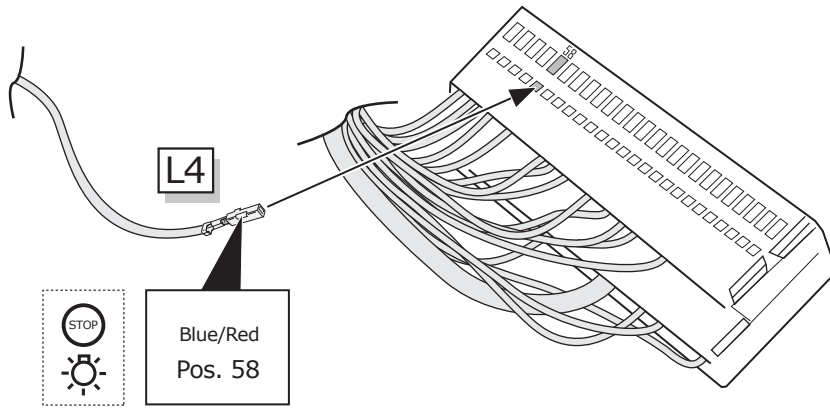
25

BCM-C



26

BCM-C

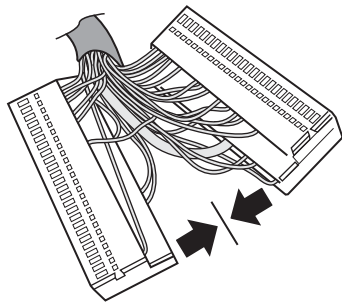


27

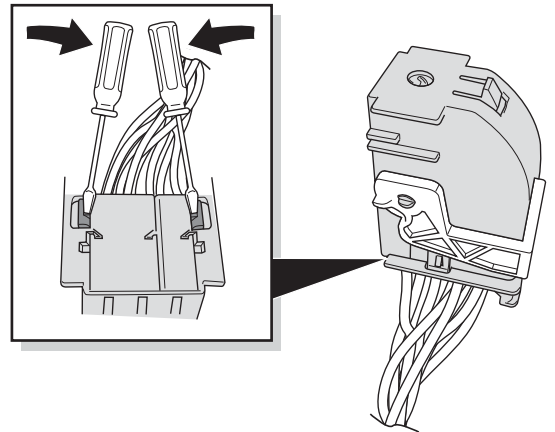
BCM-C

BCM-C

1

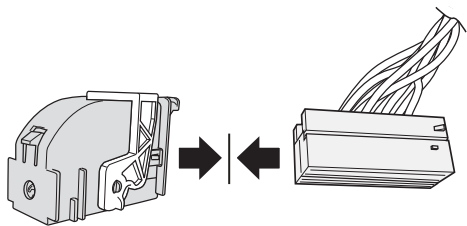


3

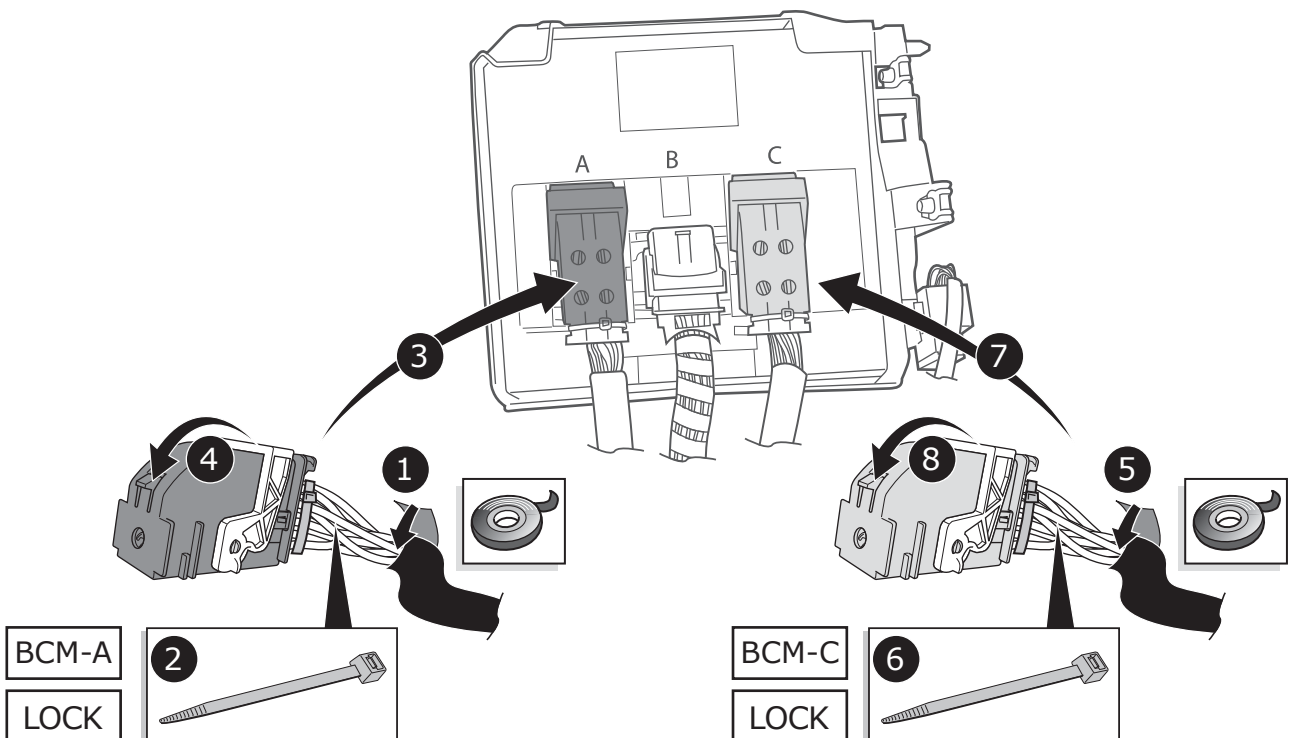


2

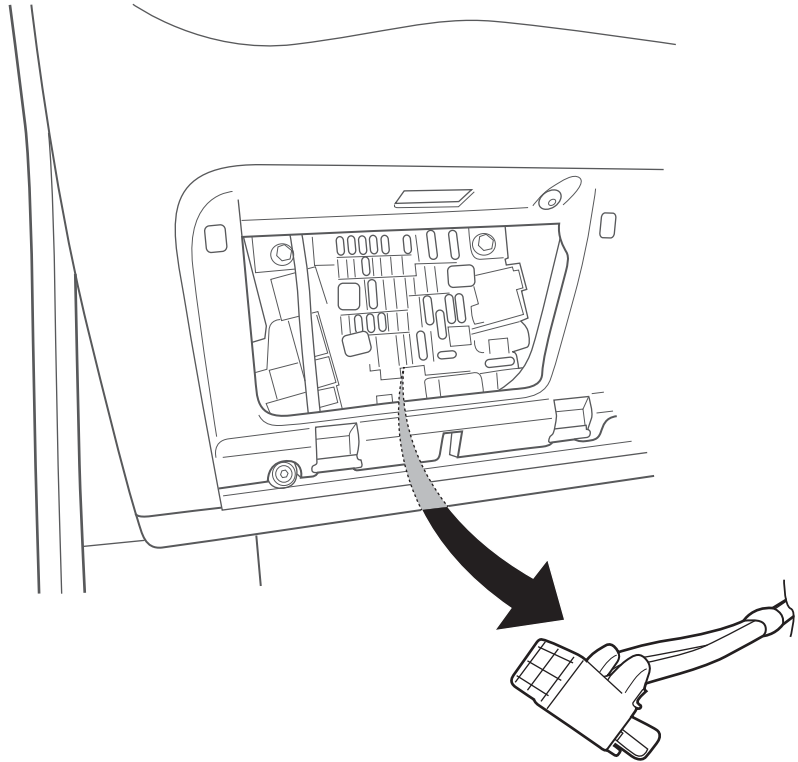
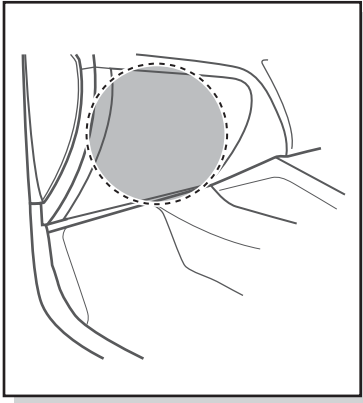
BCM-C



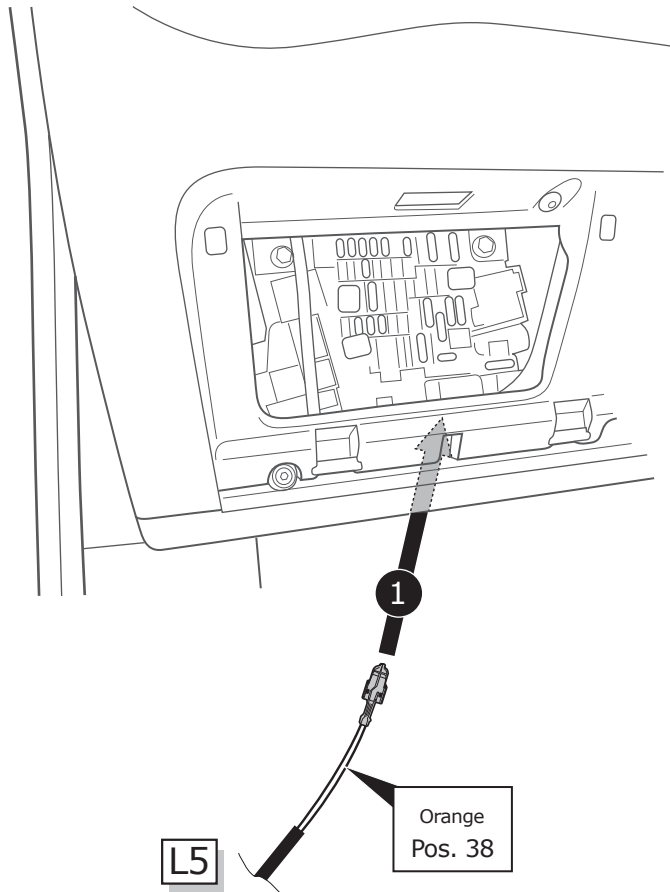
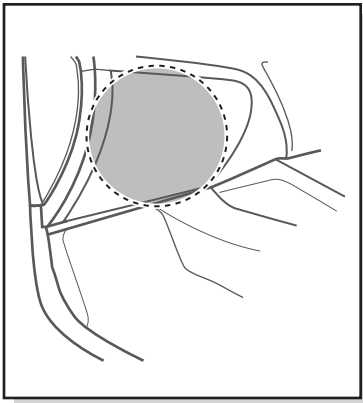
28



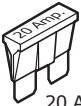
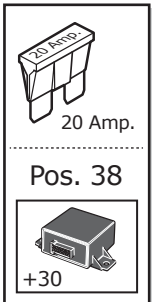
29



30

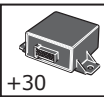


2



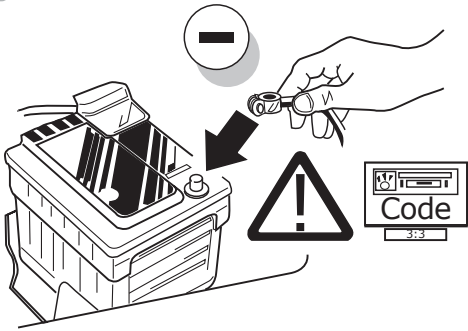
20 Amp.

Pos. 38



+30

31



INFO

## ONLINE CODING



INFO

Warning! It must be ensured that all the requirements of the vehicle manufacturer for changes to and retro-fitting on the vehicle and/or cooling system for the operation with a trailer are carried out. Subject to change.

32

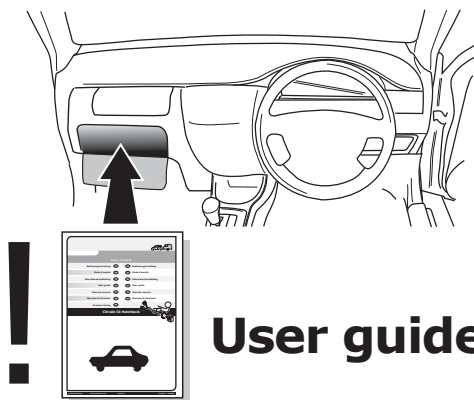


TEST ALL THE CIRCUITS WITH A TEST DEVICE WITH THE CORRECT POWER LOAD FOR EACH FUNCTION. A TEST DEVICE WITH LED'S CANNOT BE USED FOR THIS PURPOSE.

INFO

REINSTALL TRIM.

33



User guide

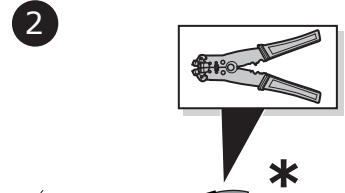
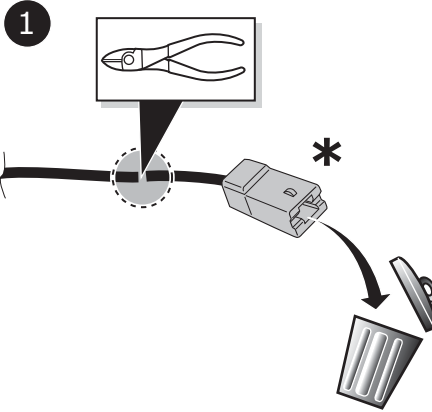
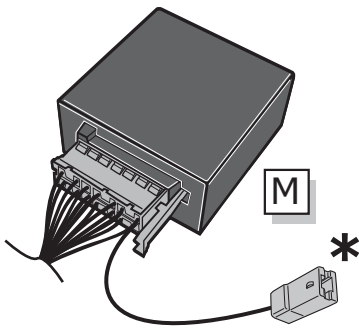


SOCKET CONNECTION

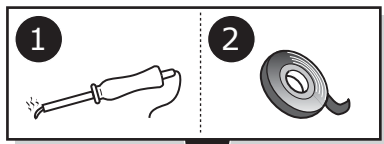
DIN/ISO 1724							
	1/L	2	3/31	4/R	5/58-R	6/54	7/58-L
Pmax	21W	21W		21W	42W	3x21W	42W
Colour	Black/ White	Blue	Brown	Black/ Green	Grey/ Red	Black/ Red	Grey/ Black

Reverse signal preparation

A



B



MAX = 21W

