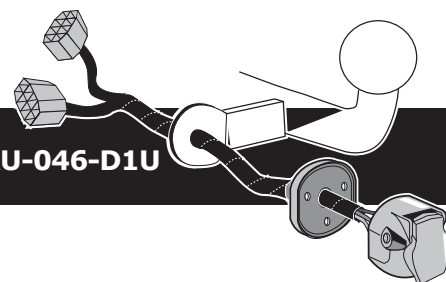


Seat Leon Limo 5D & 3D 2013 - 05/2014
Seat Leon ST 2013 - 05/2014



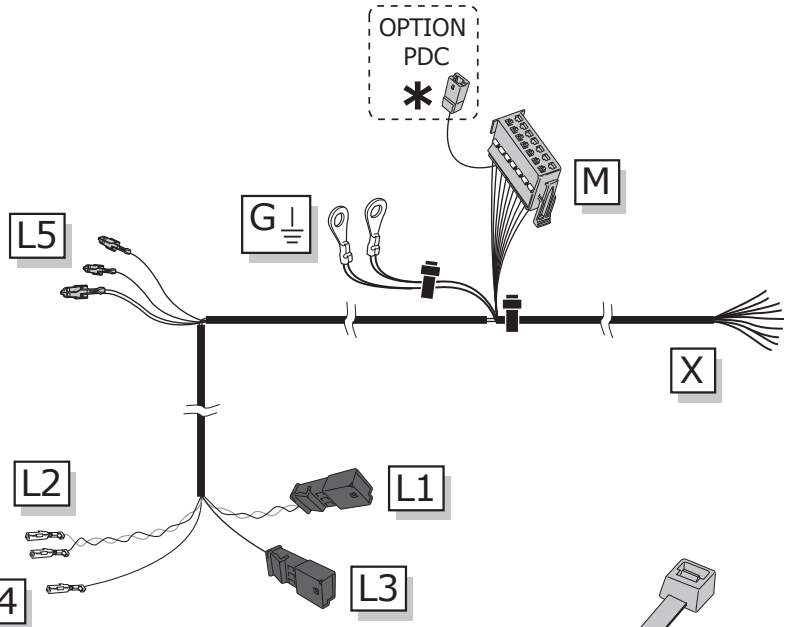
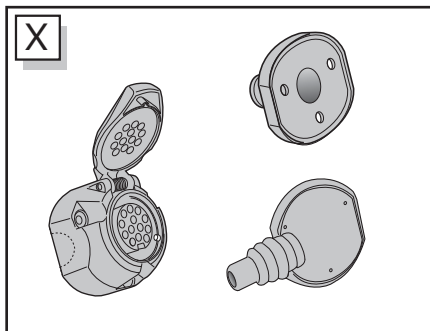
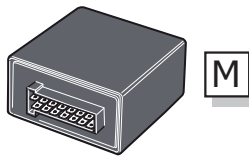
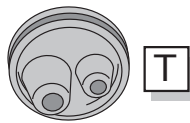
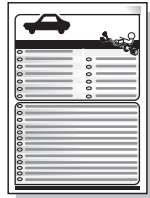
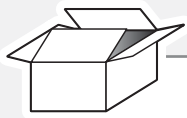
Only for models without towbar prepared connector

Partnr.: AU-046-D1U

- Fitting instructions electric wiring kit tow bar with 13-P socket up to DIN/ISO Norm 11446.
- We would expressly point out that assembly not carried out properly by a competent installer will result in cancellation of any right to damage compensation, in particular those arising by virtue of the product liability act.
- Contents of these kits and their fitting manuals are subject to alteration without notice, please ensure that these instructions are read and fully understood before commencing installation.
- Do not overload circuits; the maximum loads per connection are detailed in this manual.
- Attention! Before Installation, please read this manual carefully and inform your customer to consult the vehicle owners manual to check for any vehicle modifications required before towing.
- In the event of functional problems, troubleshooting must be limited to about 0.5 hours, contact the technical support:
ukts@ecs-electronics.com / 07440 202 052.



Part list



OPTION PDC *

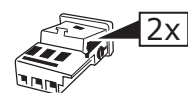
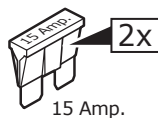
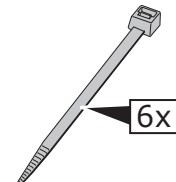
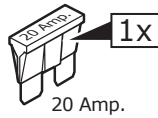
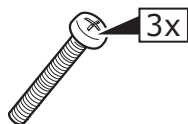
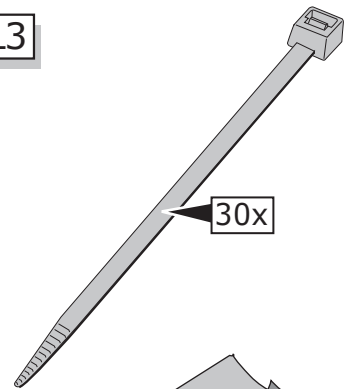
Option P.D.C. *

PARK DISTANCE CONTROL

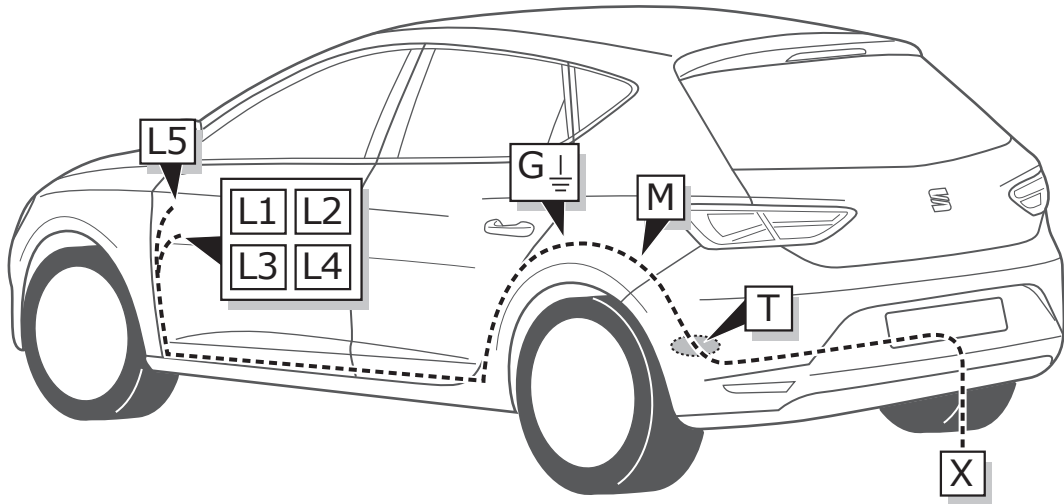
↓

PARK DISTANCE CONTROL

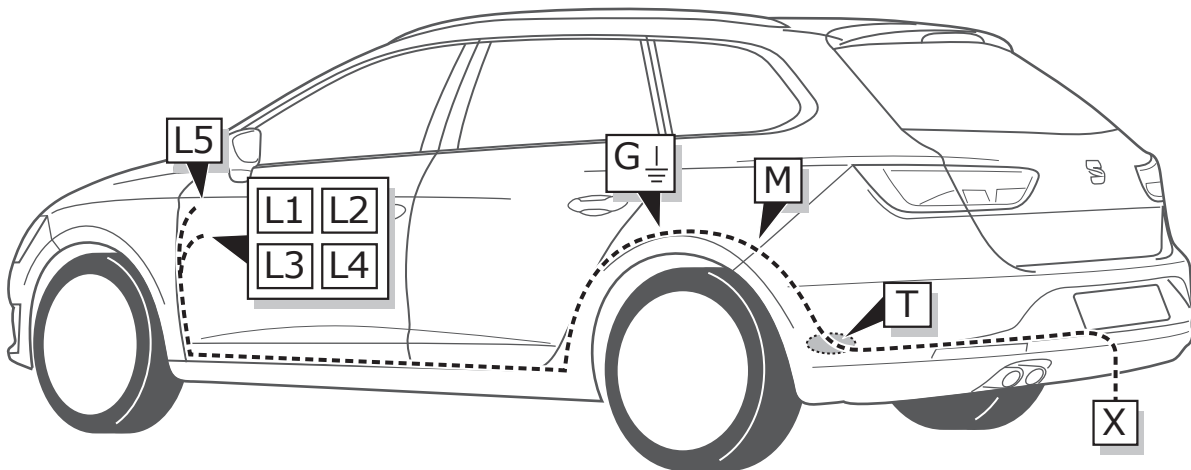
For not OEM P.D.C. System use the: VW-083-ZZ



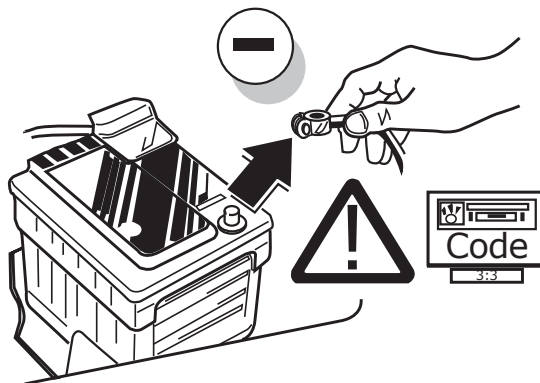
Leon Limo



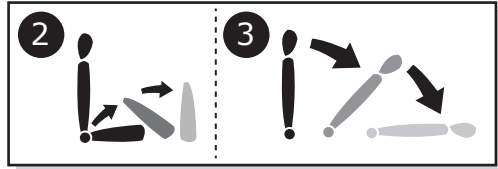
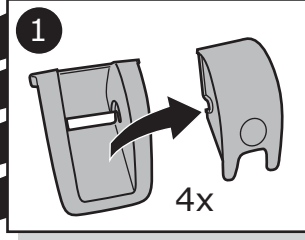
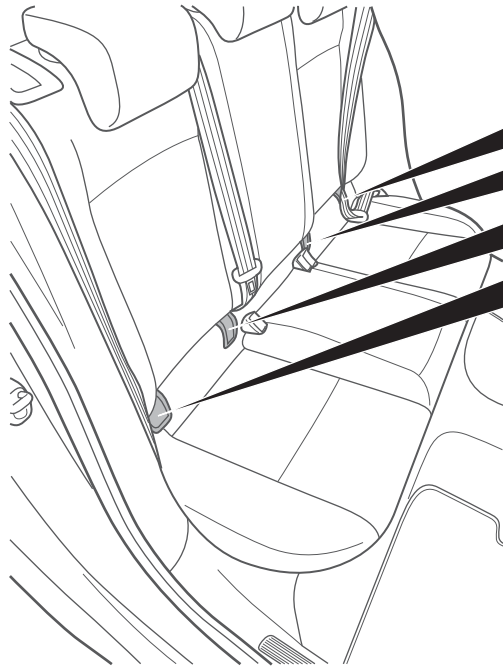
Leon ST



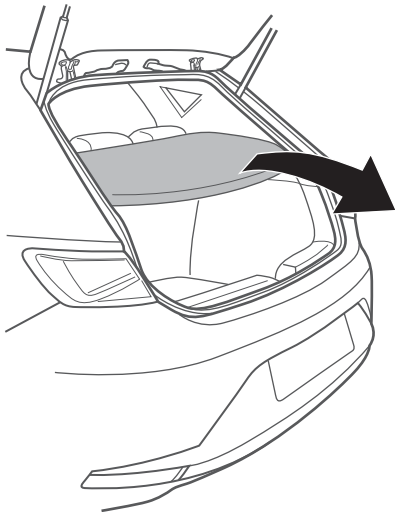
1



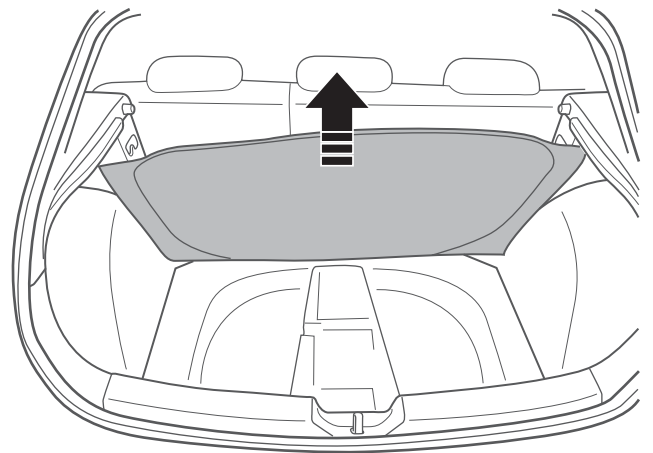
2



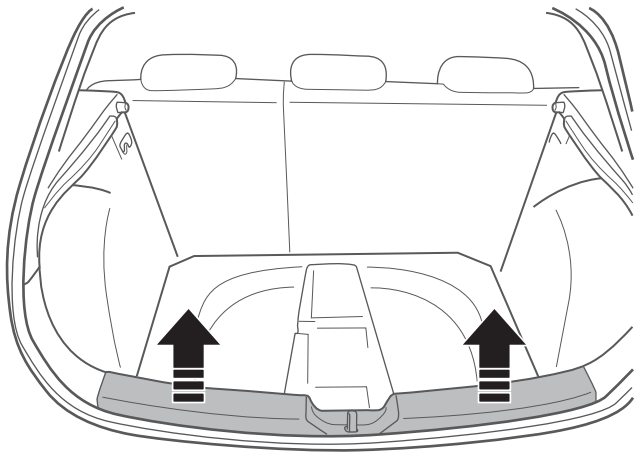
3



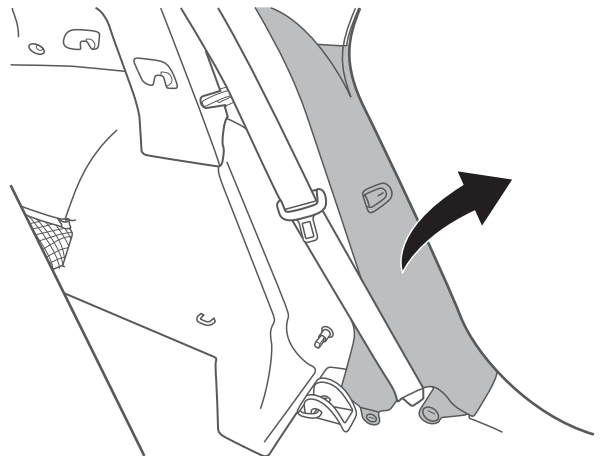
4



5

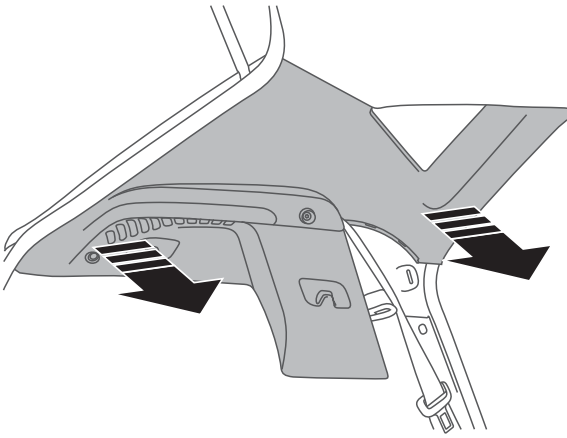


6

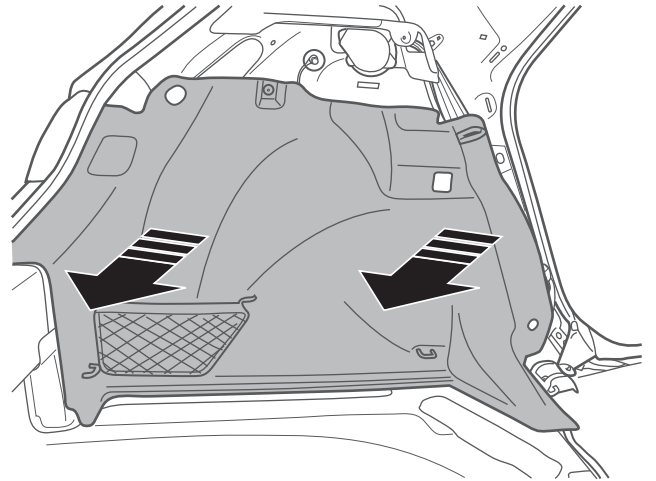


Léon Limo

7

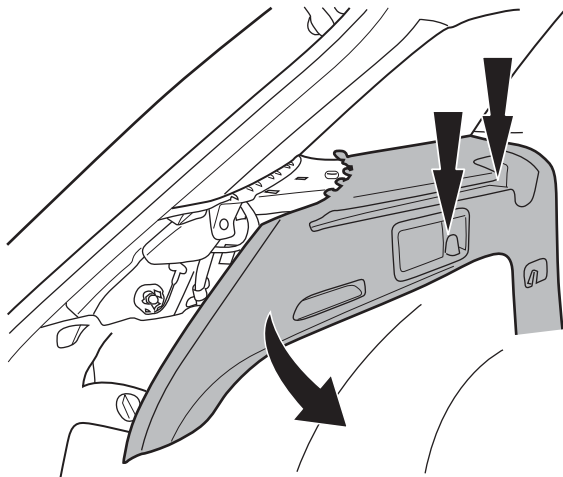


8

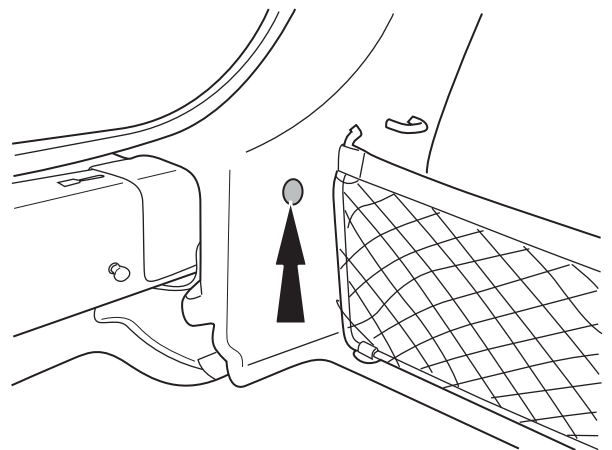


Léon ST

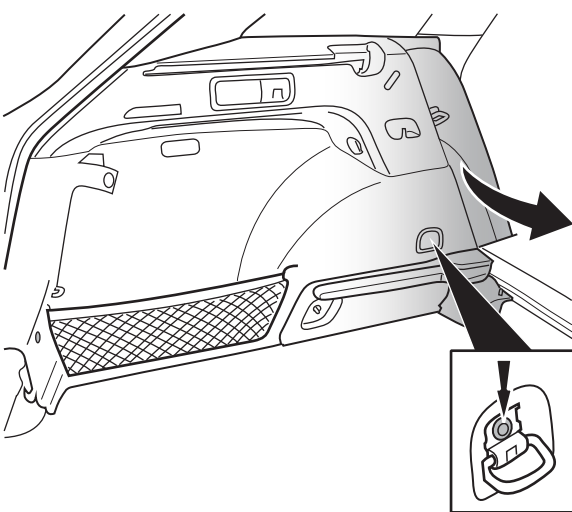
9



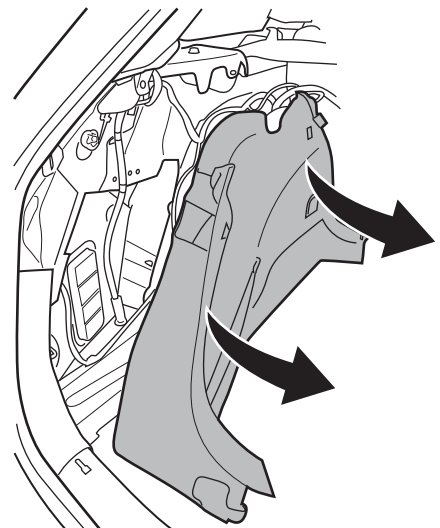
10



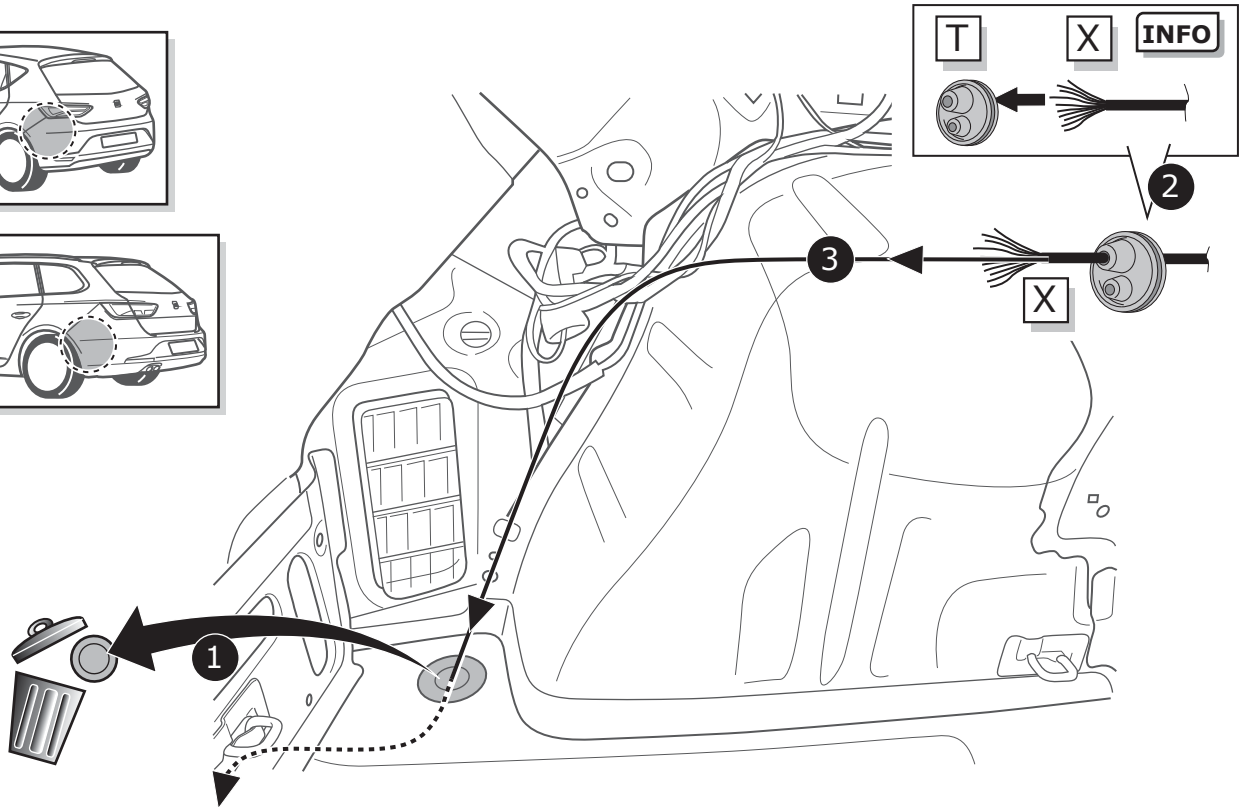
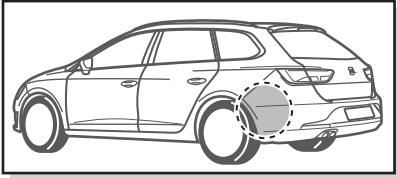
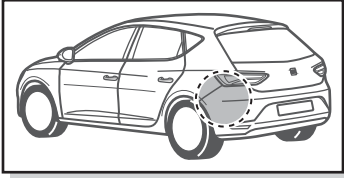
11



12

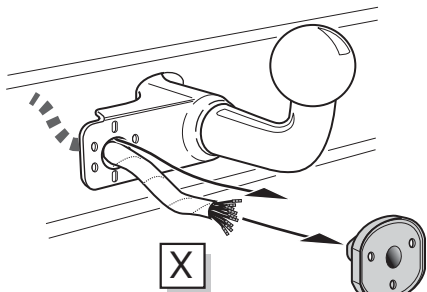


13

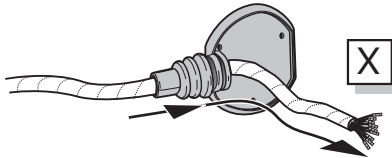


A

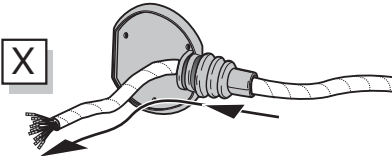
Option 1



Option 2



Option 3



INFO

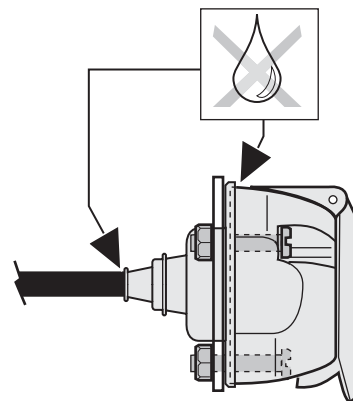
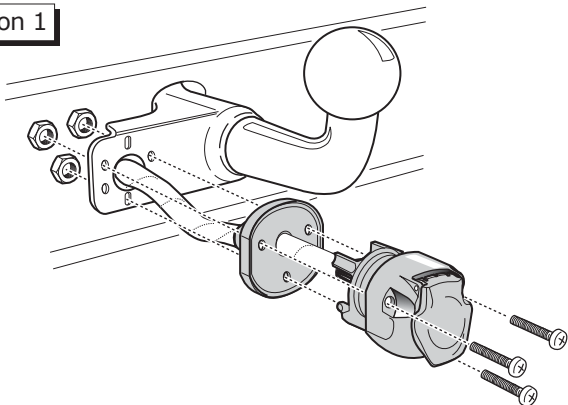
SOCKET CONNECTION

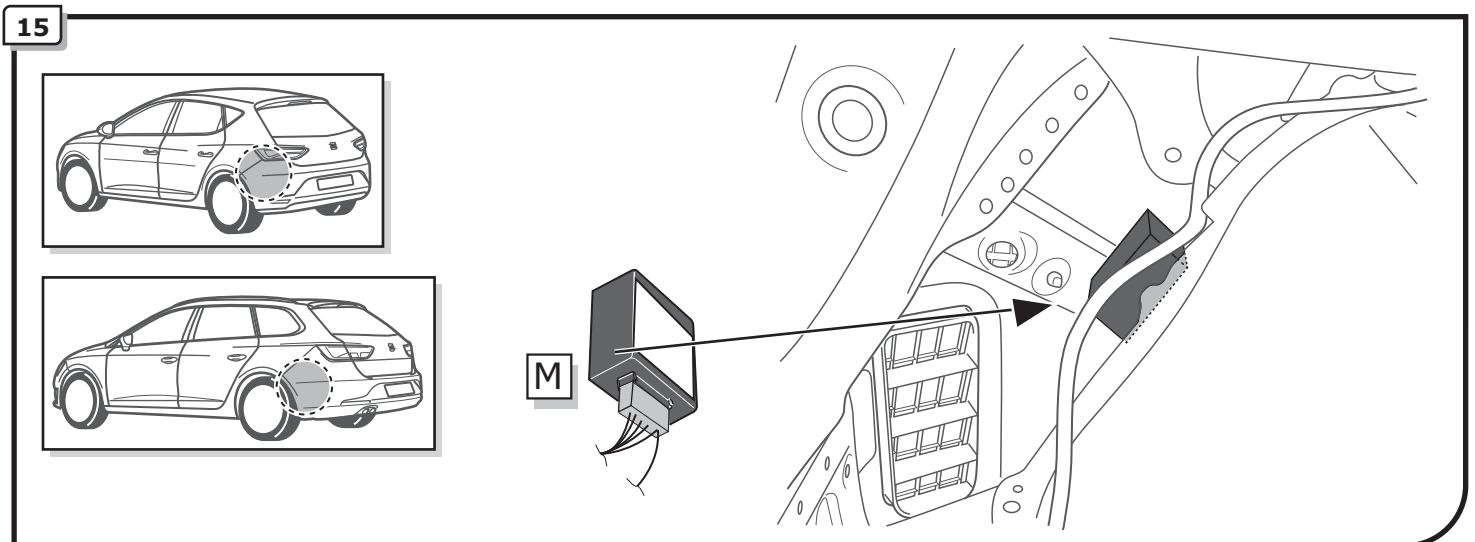
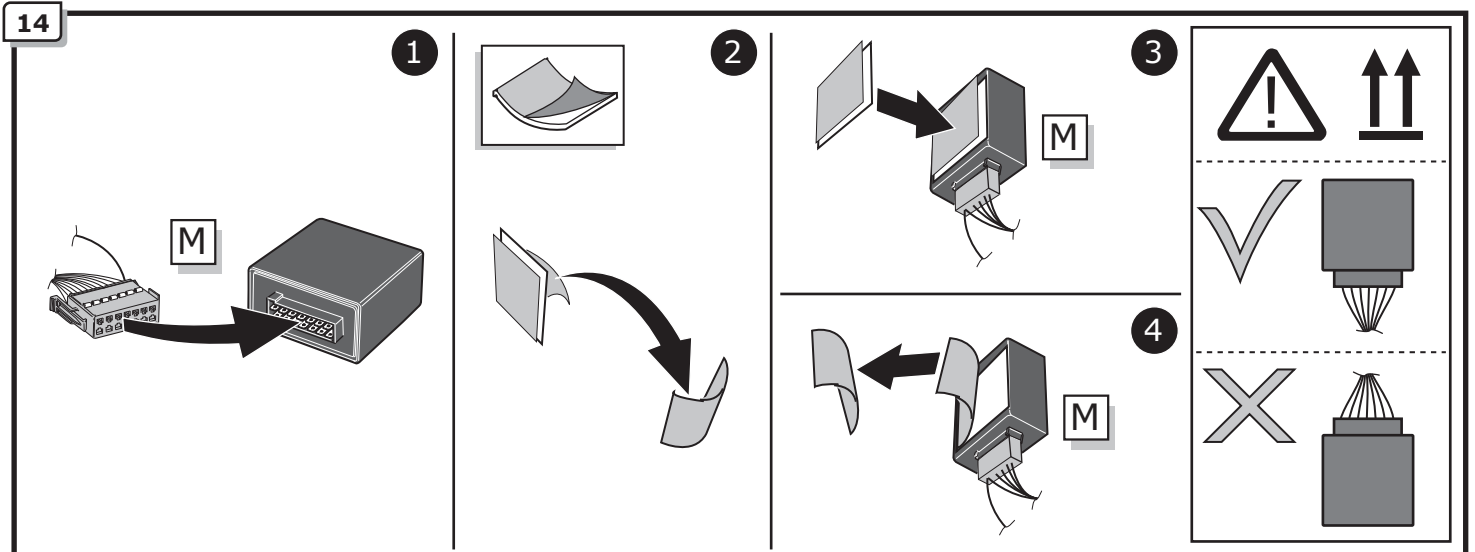
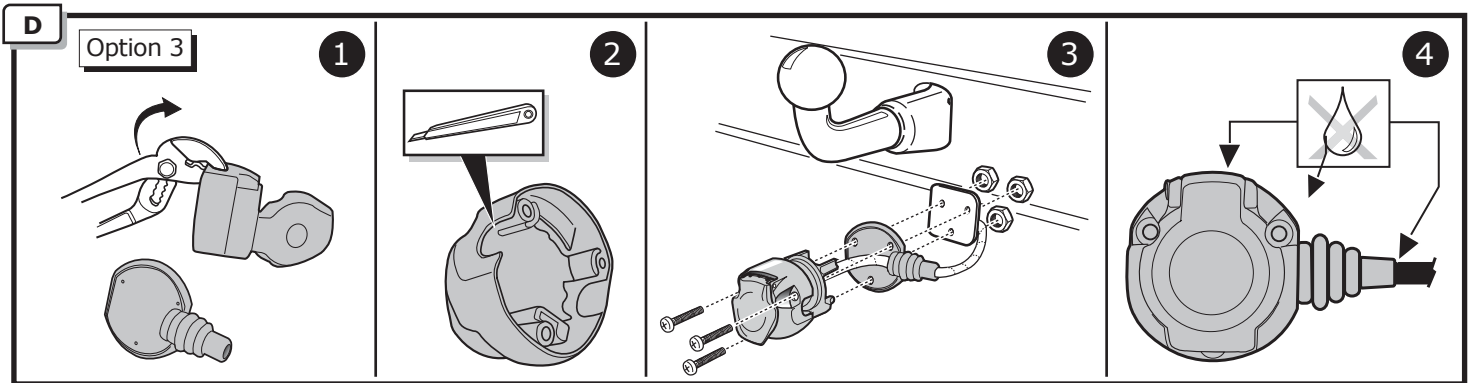
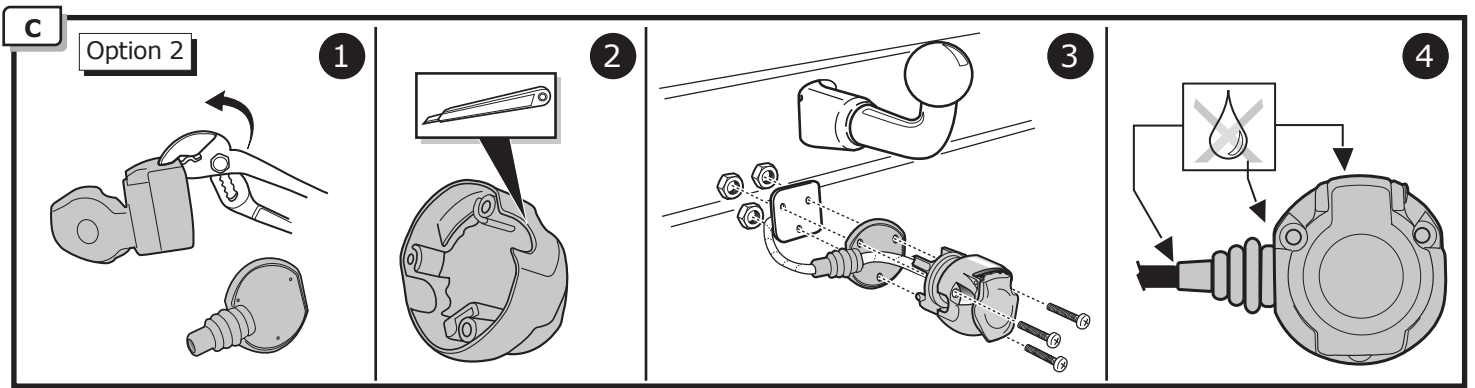


Pag. 15

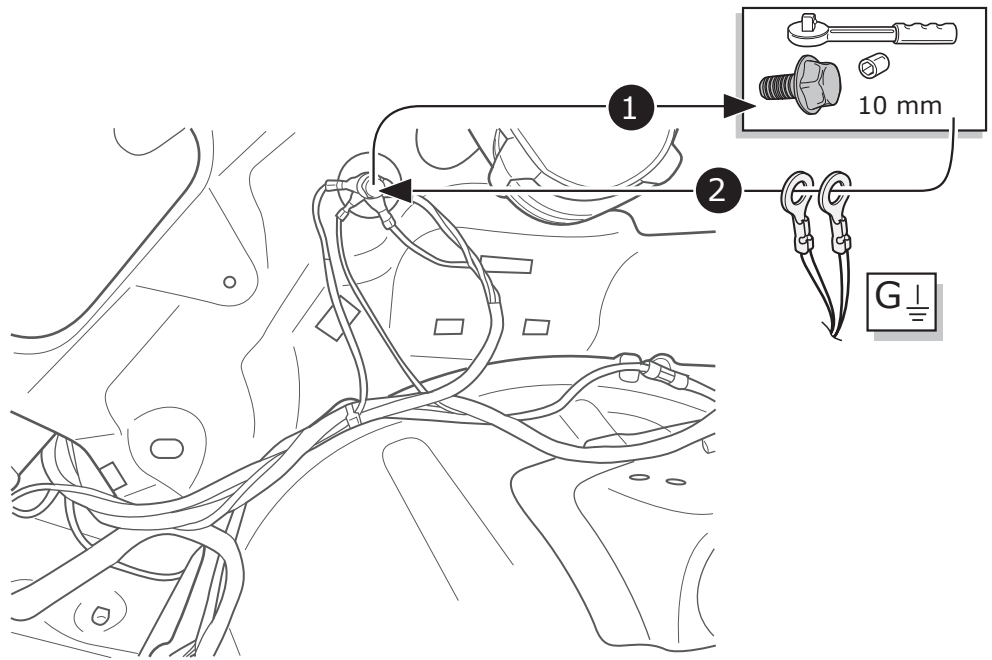
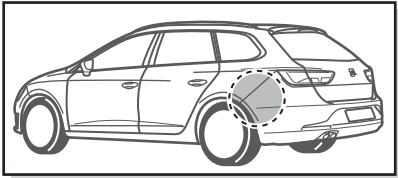
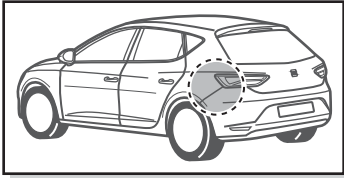
B

Option 1

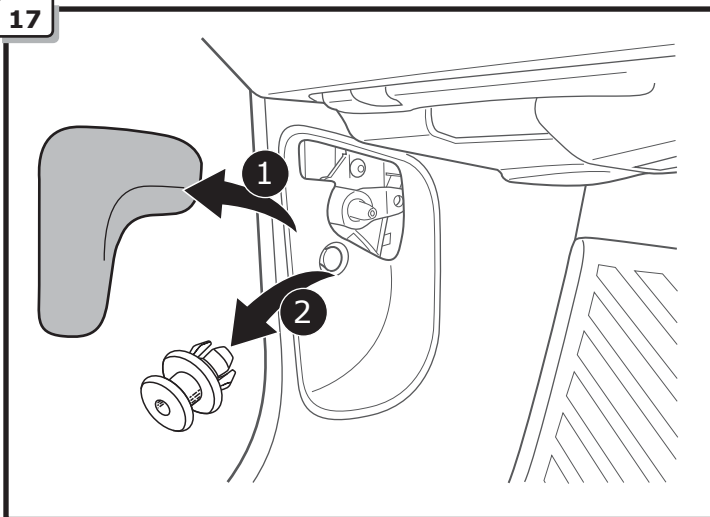




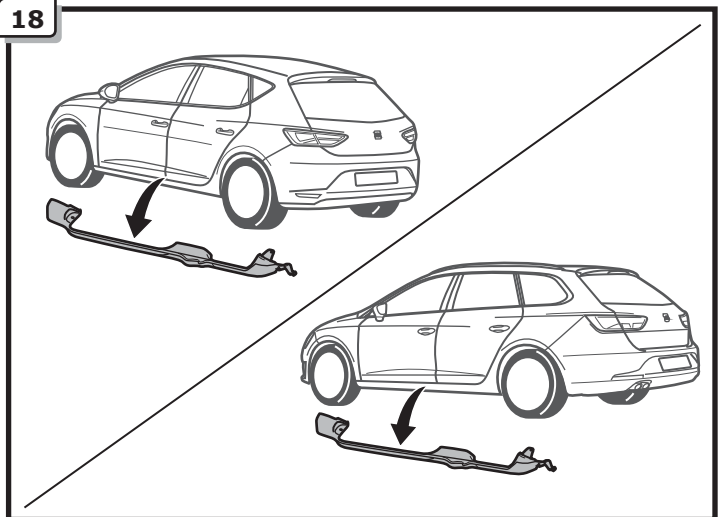
16



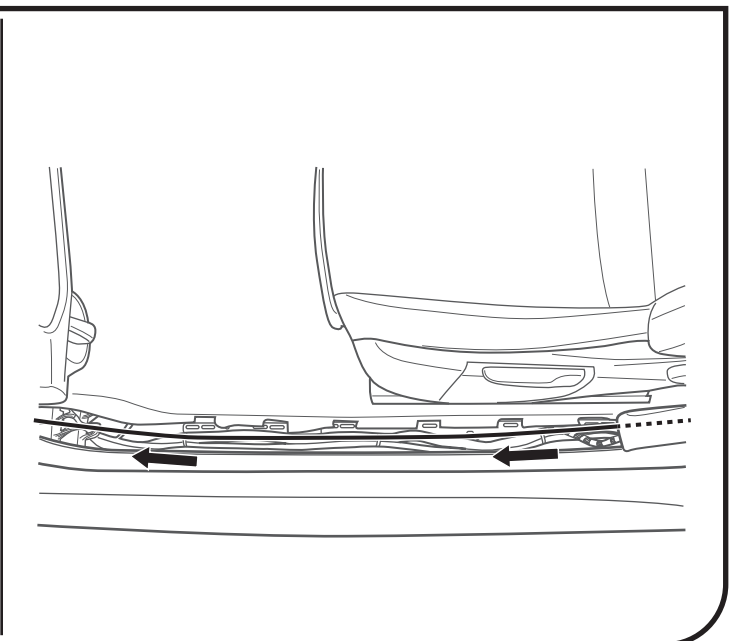
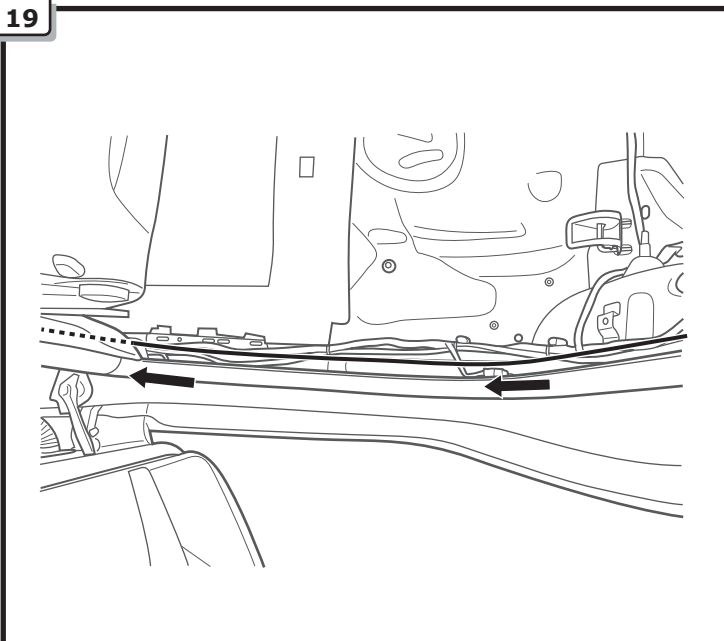
17



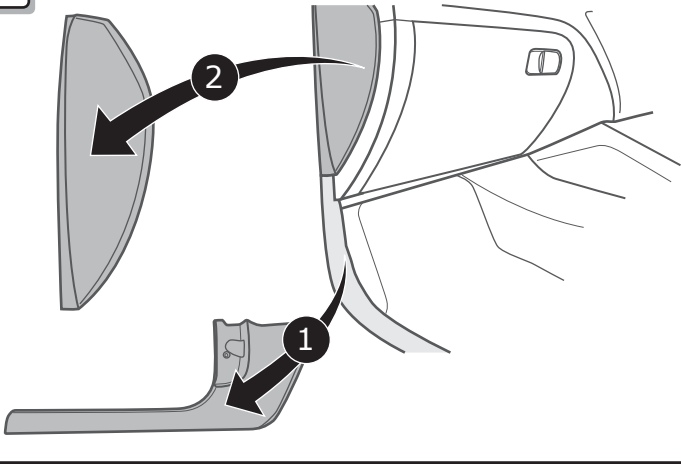
18



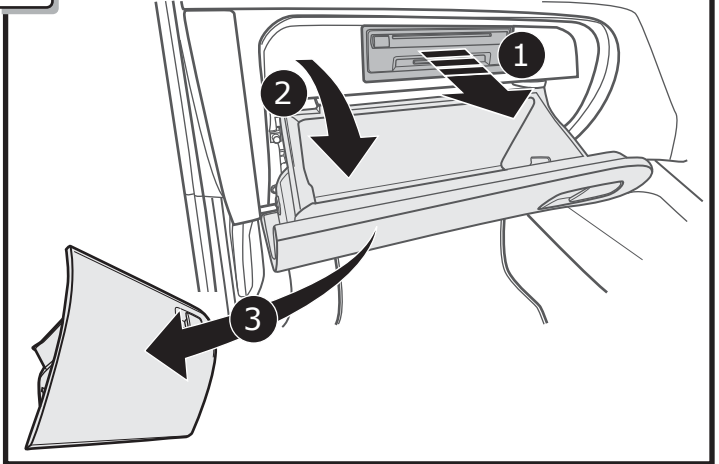
19



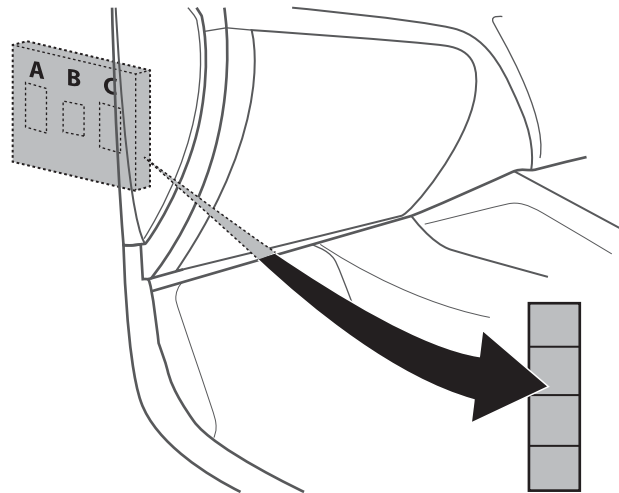
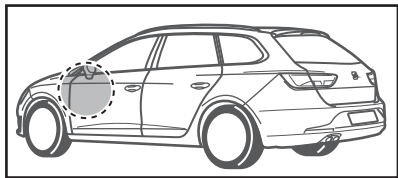
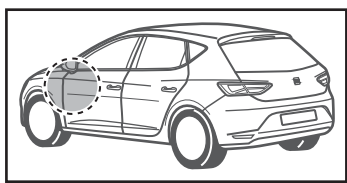
20



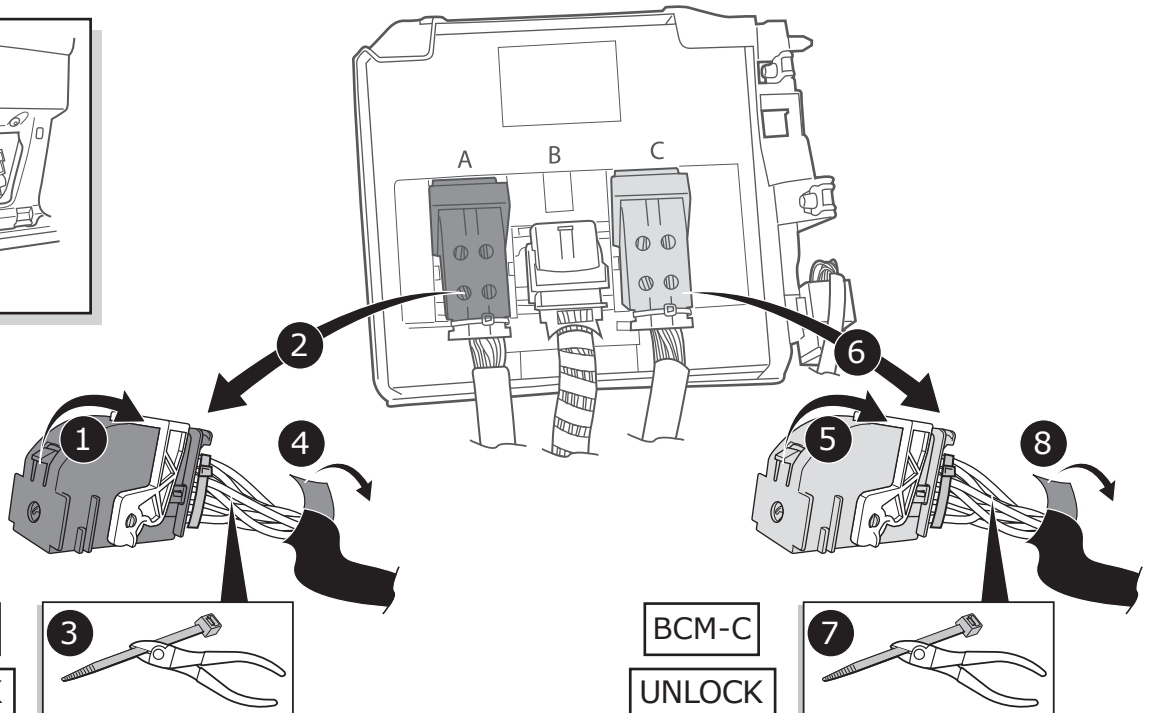
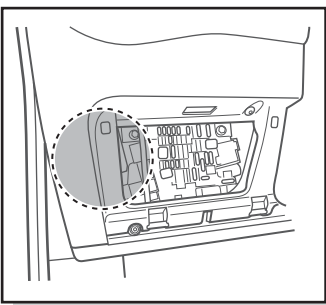
21



22



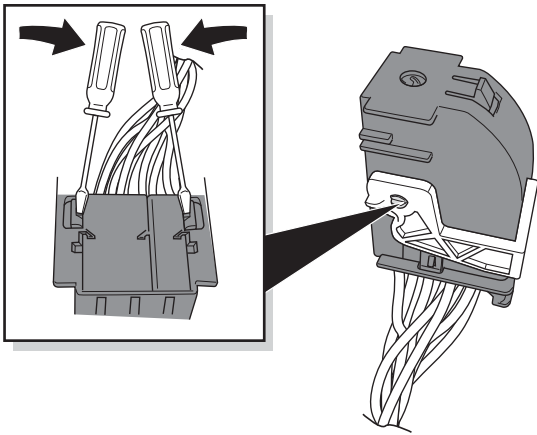
23



24

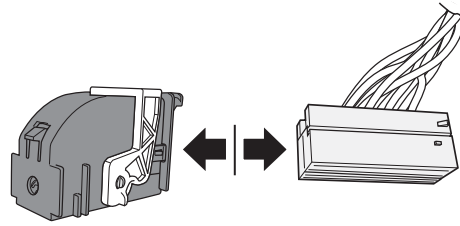
1

BCM-A



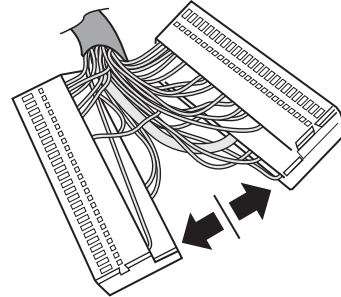
2

BCM-A



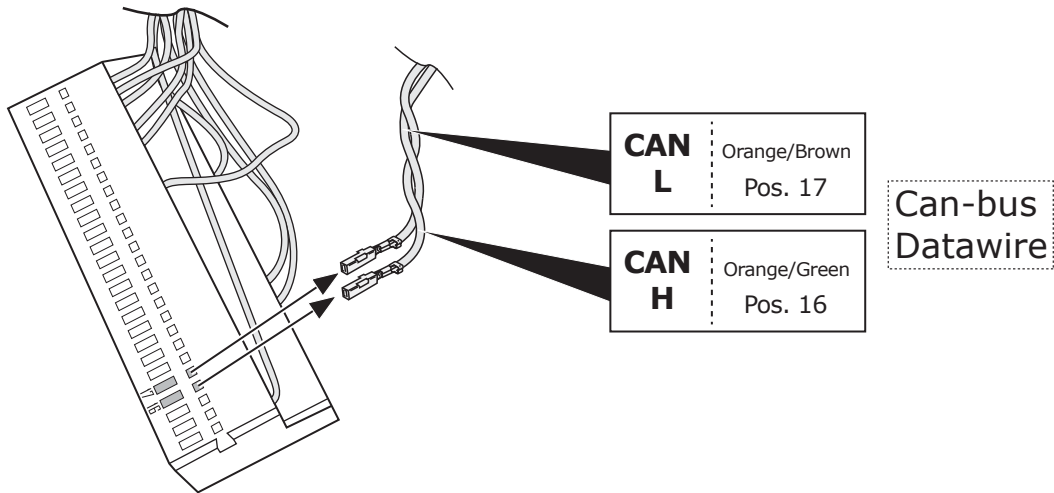
3

BCM-A



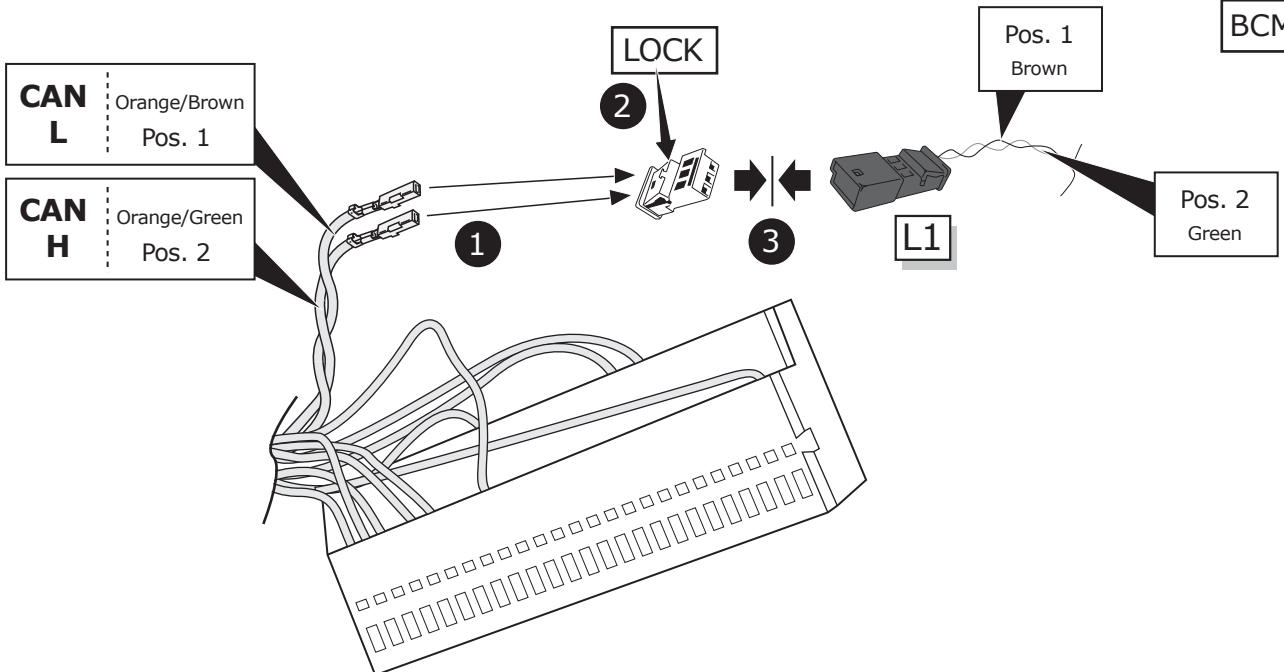
25

BCM-A



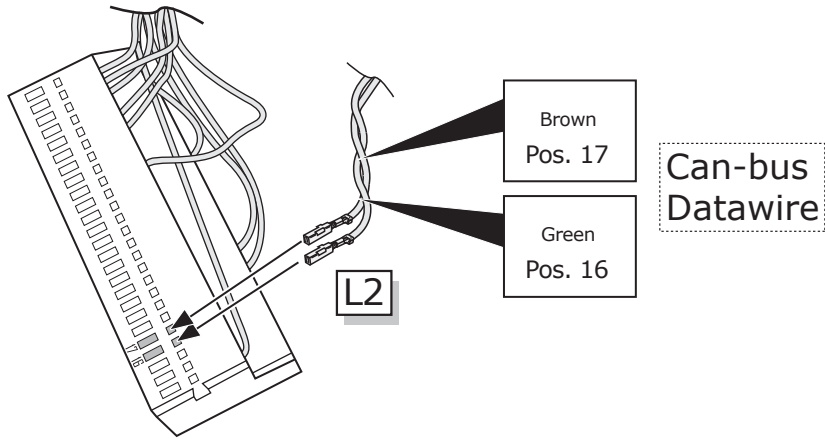
26

BCM-A



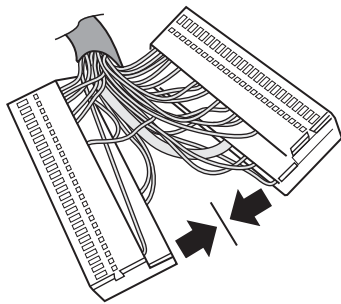
27

BCM-A



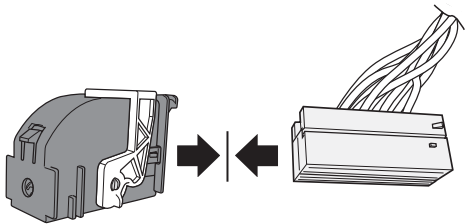
28

1



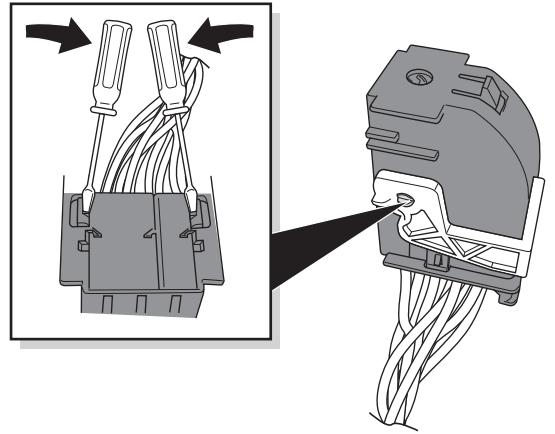
BCM-A

2



BCM-A

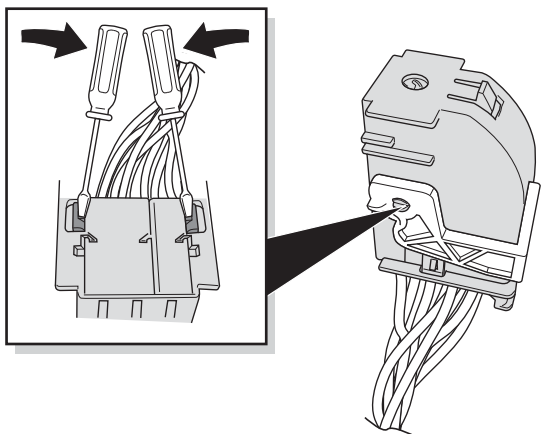
3



BCM-A

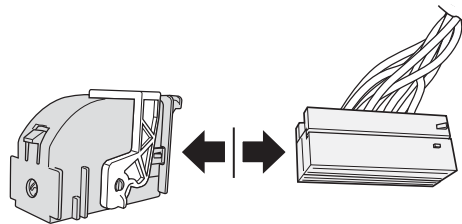
29

1



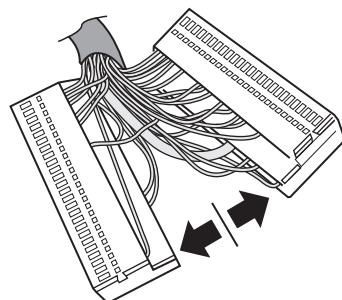
BCM-C

2



BCM-C

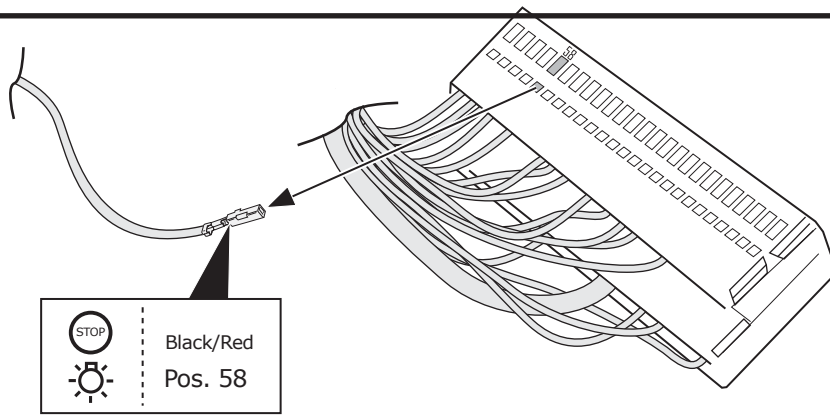
3



BCM-C

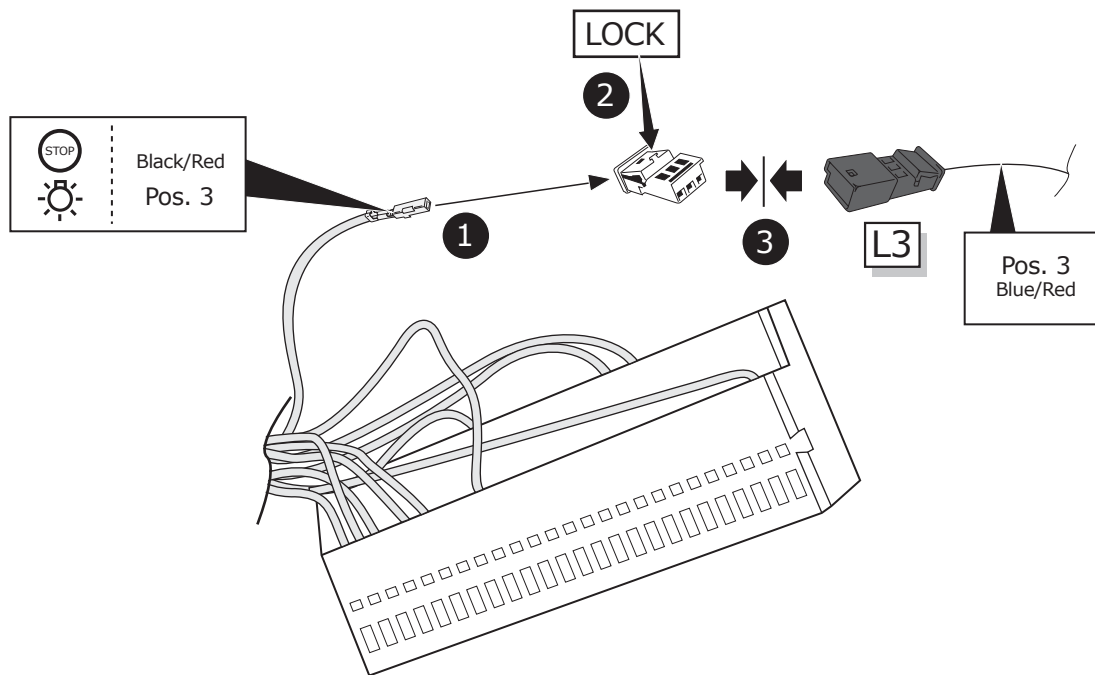
30

BCM-C



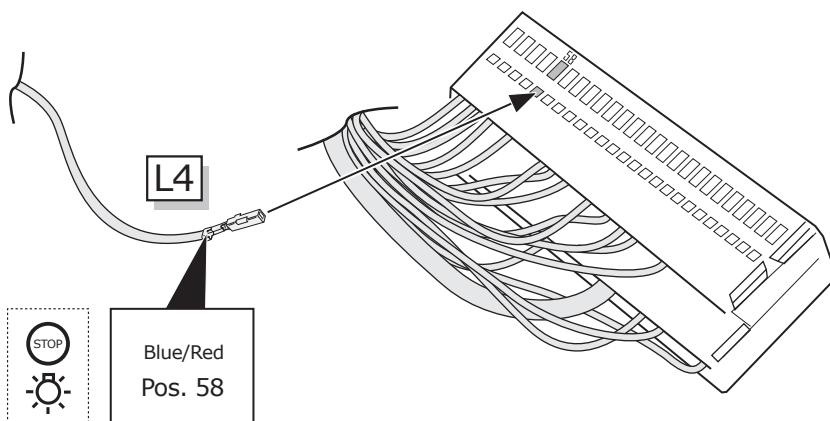
31

BCM-C



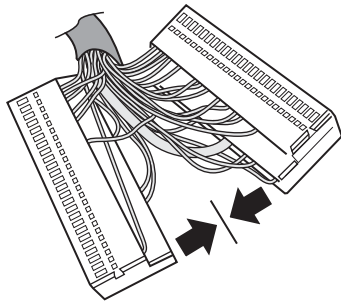
32

BCM-C



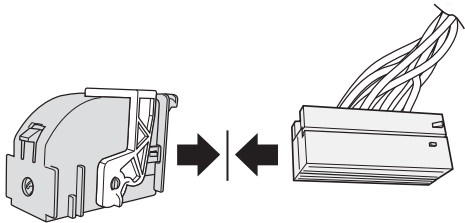
33

1



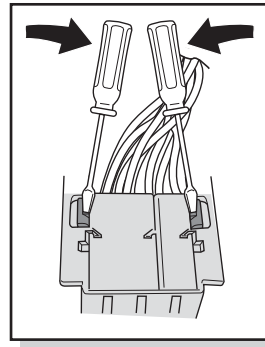
BCM-C

2

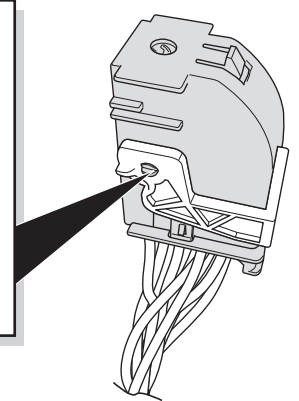


BCM-C

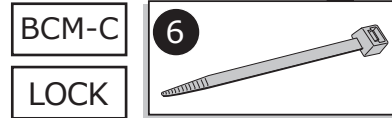
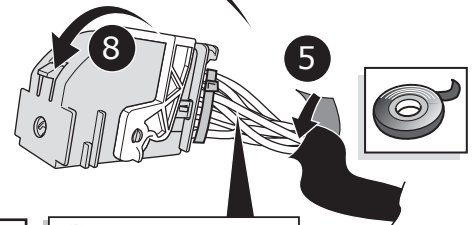
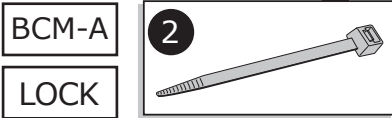
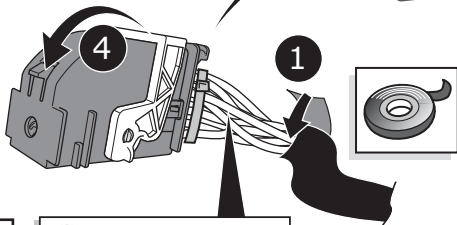
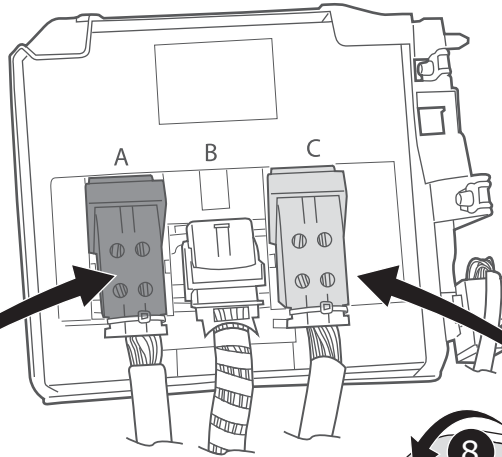
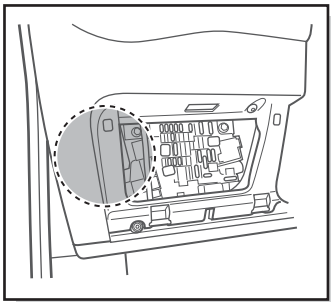
3



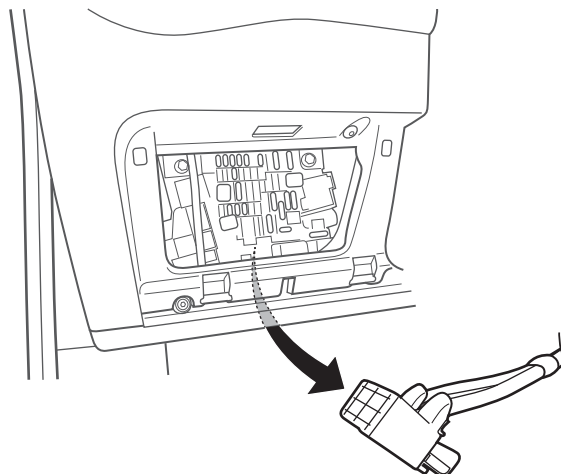
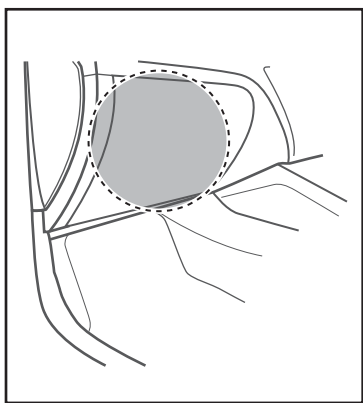
BCM-C



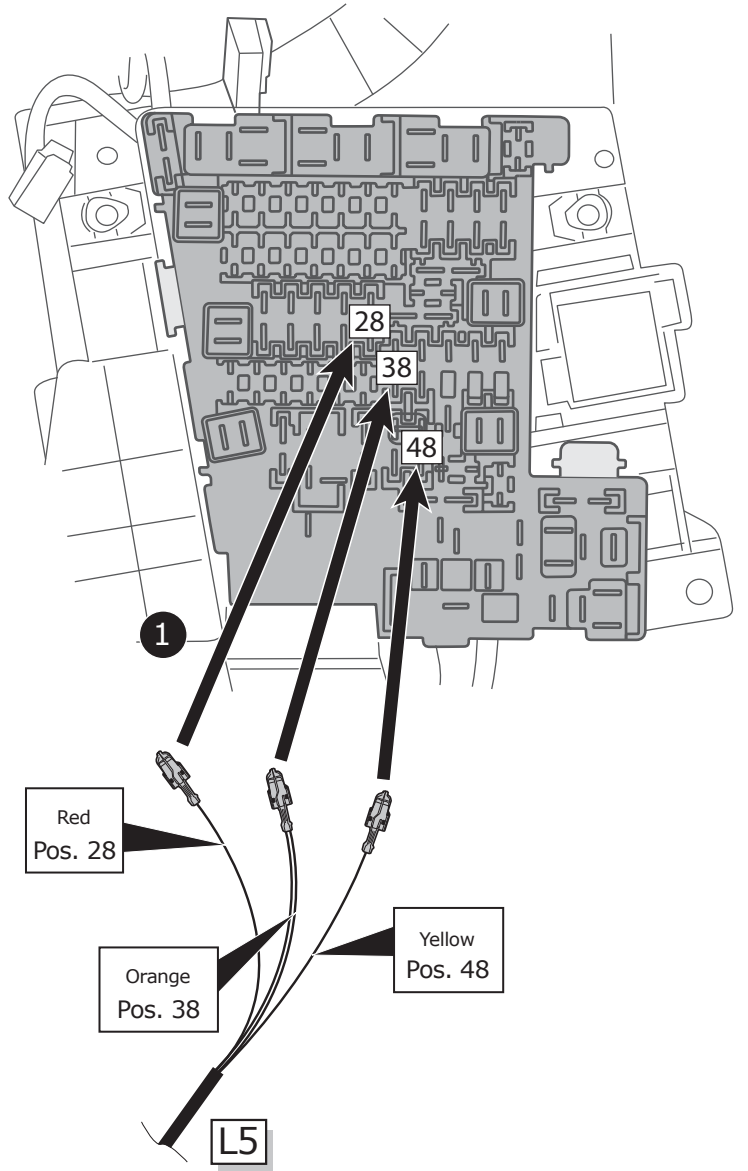
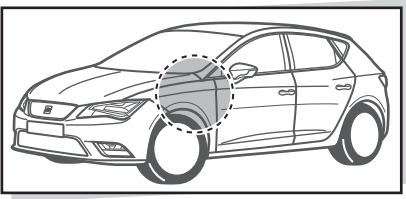
34



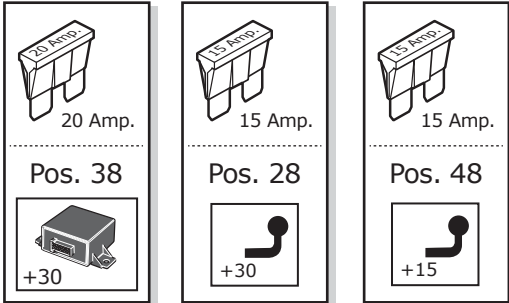
35



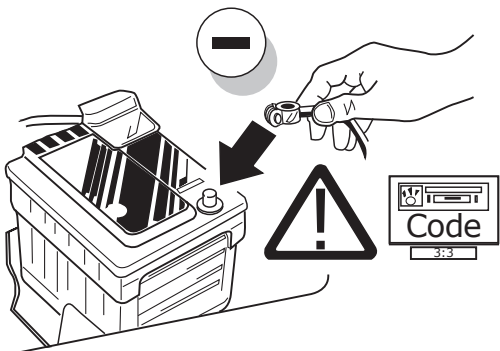
36



2

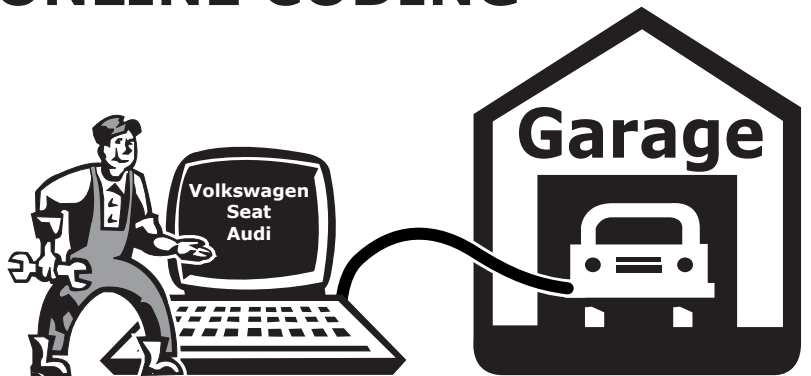


37



INFO

ONLINE CODING



INFO

Warning! It must be ensured that all the requirements of the vehicle manufacturer for changes to and retro-fitting on the vehicle and/or cooling system for the operation with a trailer are carried out. Subject to change.

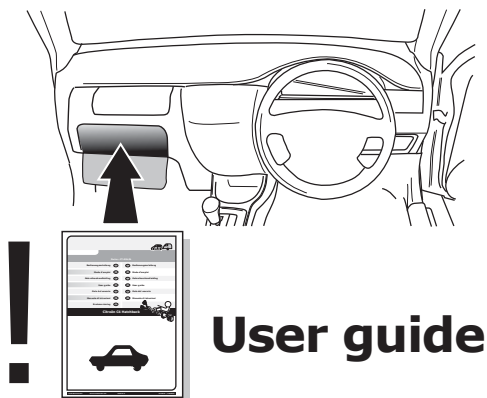
38

! TEST ALL THE CIRCUITS WITH A TEST DEVICE WITH THE CORRECT POWER LOAD FOR EACH FUNCTION. A TEST DEVICE WITH LED'S CANNOT BE USED FOR THIS PURPOSE.

INFO

REINSTALL TRIM.

39



User guide



INFO

SOCKET CONNECTION

DIN/ISO 11446													
	1/L	2	3/31	4/R	5/58-R	6/54	7/58-L	8	9	10	11	12	13
Pmax	21W	21W		21W	42W	3x21W	42W	21W	180W/15Amp	180W/15Amp			
Colour	Black/White	Blue	Brown	Black/Green	Grey/Red	Black/Red	Grey/Black	Black	Red	Yellow	Brown	-	Brown