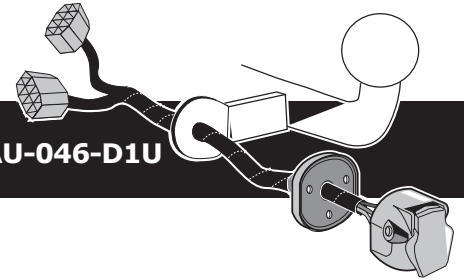


**VW Golf VII 5G Limo 10/2012 - 05/2014**  
**VW Golf VII 5G Variant 08/2013 - 05/2014**



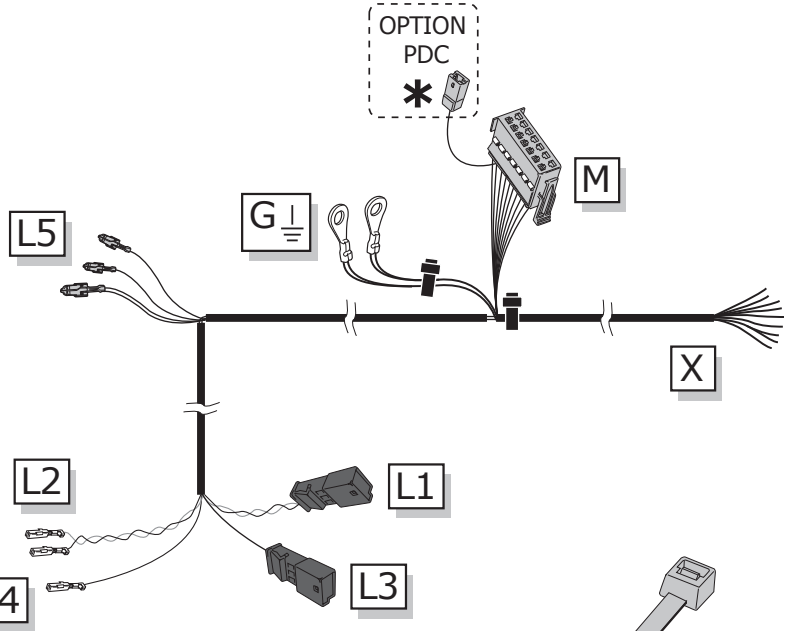
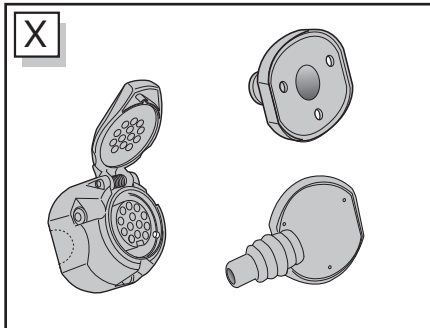
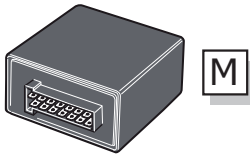
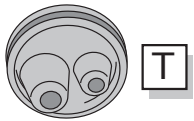
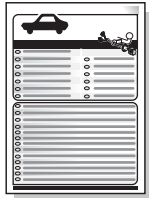
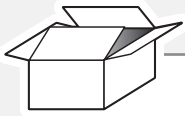
**Only for models without towbar prepared connector**

**Partnr.: AU-046-D1U**

- Fitting instructions electric wiring kit tow bar with 13-P socket up to DIN/ISO Norm 11446.
- We would expressly point out that assembly not carried out properly by a competent installer will result in cancellation of any right to damage compensation, in particular those arising by virtue of the product liability act.
- Contents of these kits and their fitting manuals are subject to alteration without notice, please ensure that these instructions are read and fully understood before commencing installation.
- Do not overload circuits; the maximum loads per connection are detailed in this manual.
- Attention! Before Installation, please read this manual carefully and inform your customer to consult the vehicle owners manual to check for any vehicle modifications required before towing.
- In the event of functional problems, troubleshooting must be limited to about 0.5 hours, contact the technical support:  
[ukts@ecs-electronics.com](mailto:ukts@ecs-electronics.com) / 07440 202 052.



# Part list



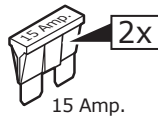
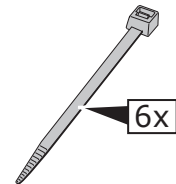
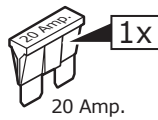
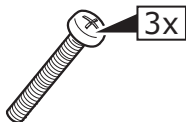
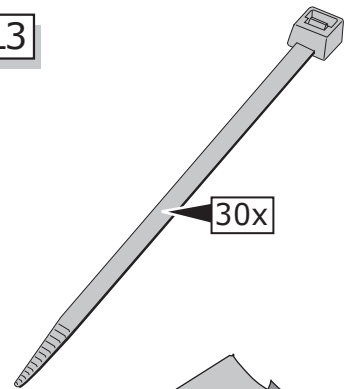
**Option P.D.C. \***

PARK DISTANCE CONTROL

↓

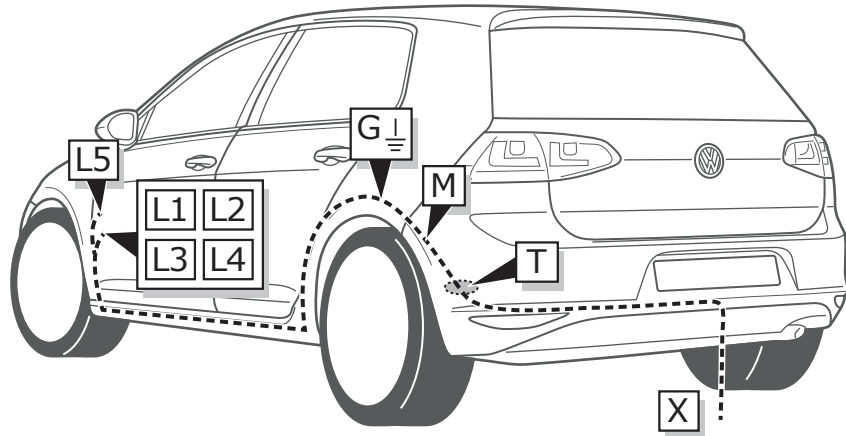
PARK DISTANCE CONTROL

For not OEM P.D.C. System  
use the: VW-083-ZZ

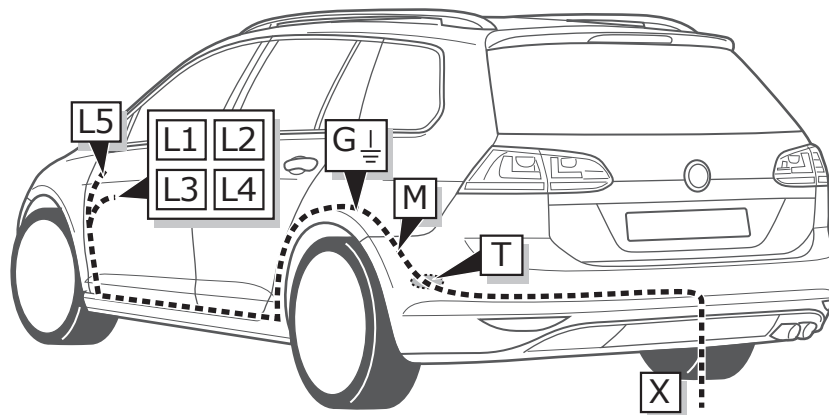


ROUTING

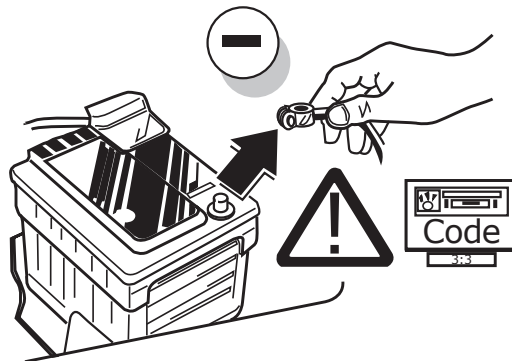
Golf VII 5G Limo



Golf VII 5G Variant

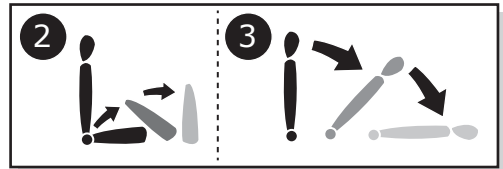
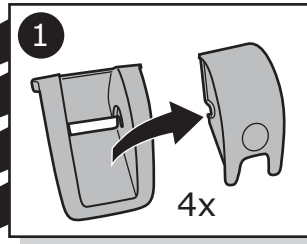
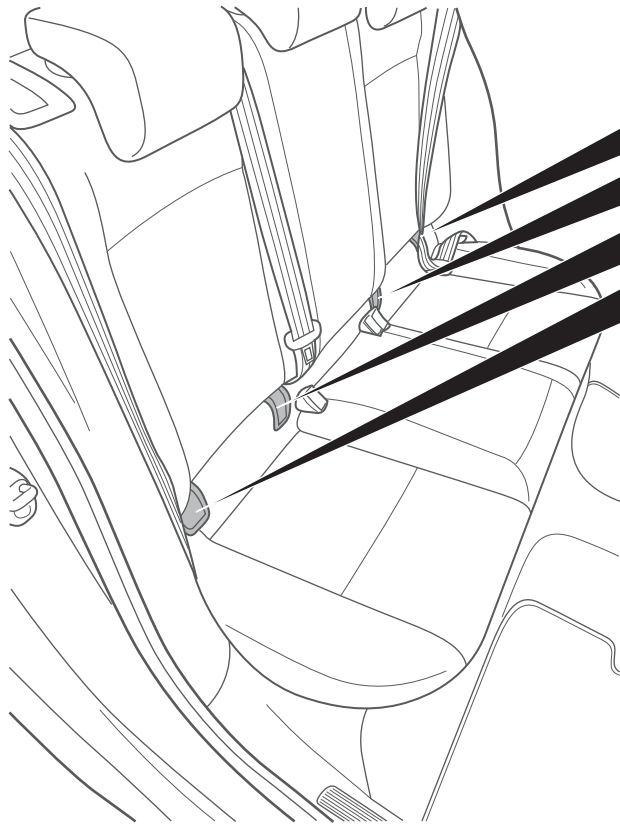


1



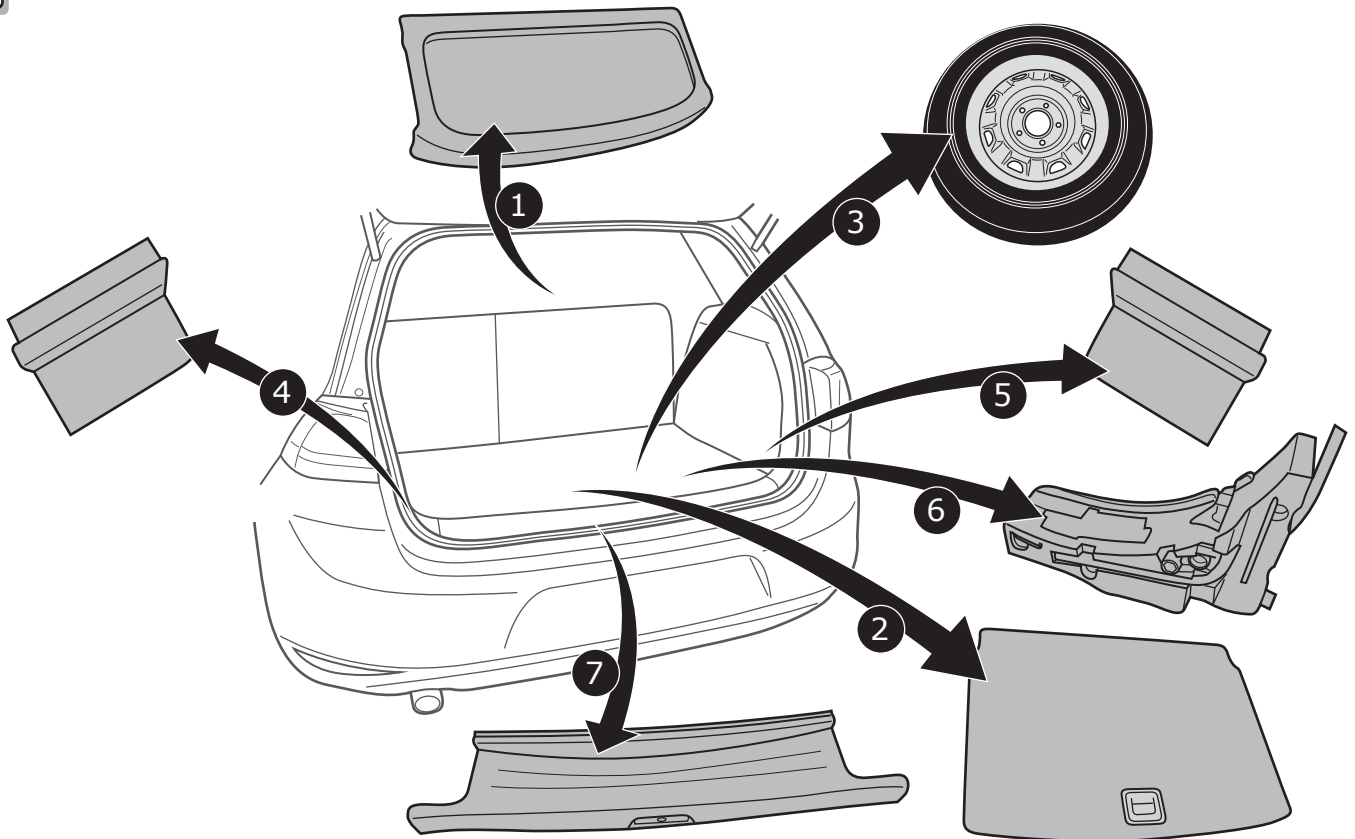
# Golf VII 5G Limo / Variant

2



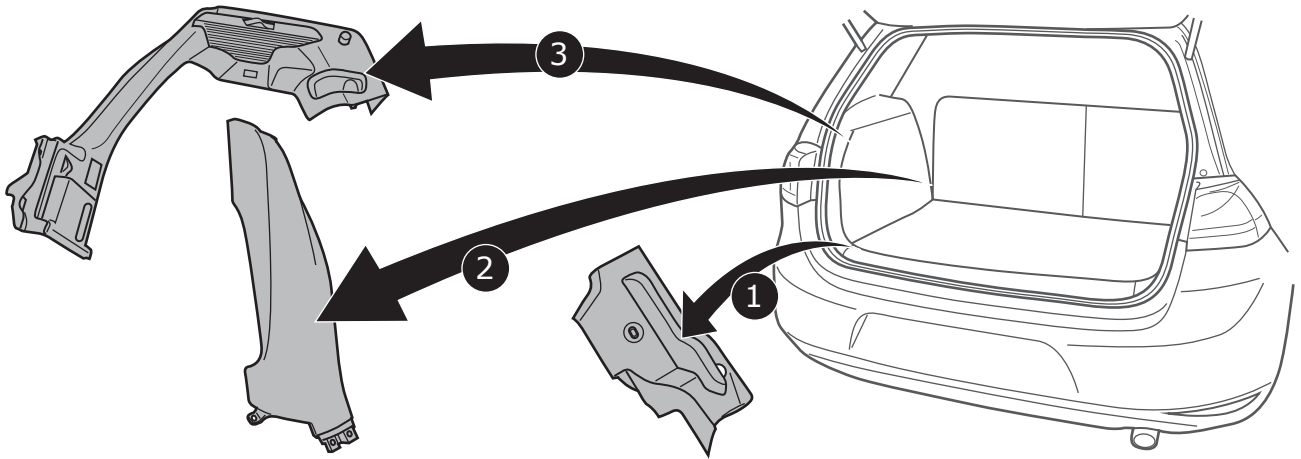
# Golf VII 5G Limo

3

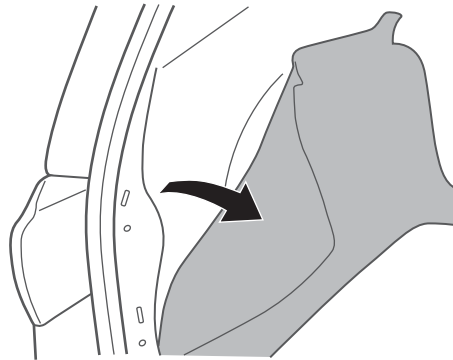
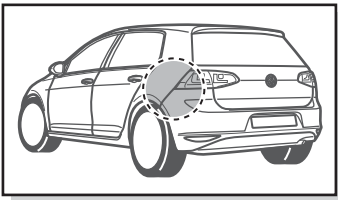


## Golf VII 5G Limo

4

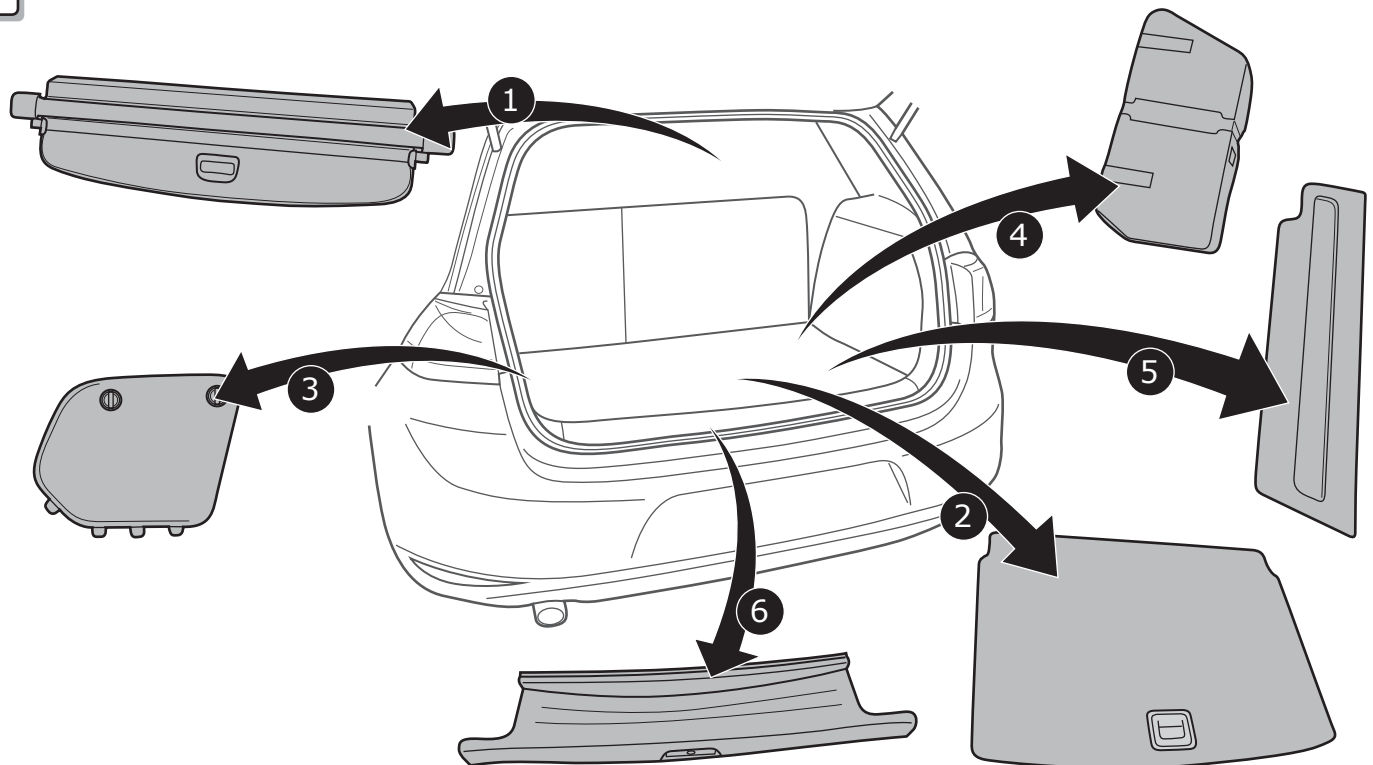


5



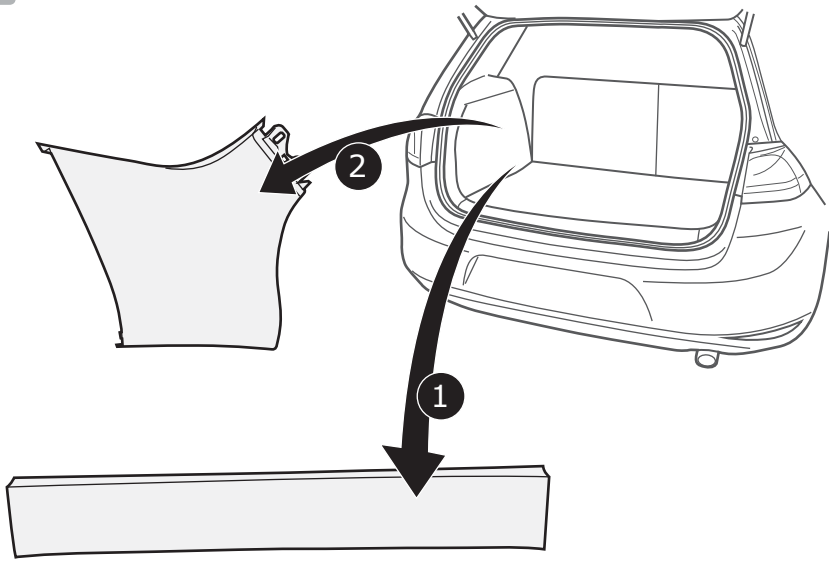
## Golf VII 5G Variant

6

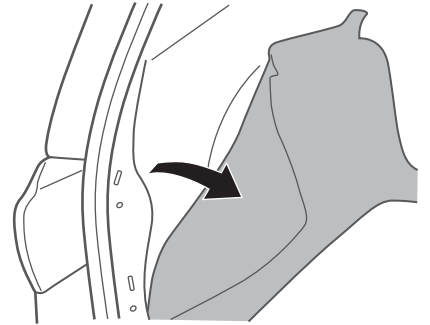
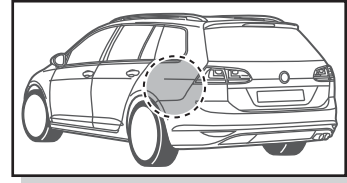


# Golf VII 5G Variant

7

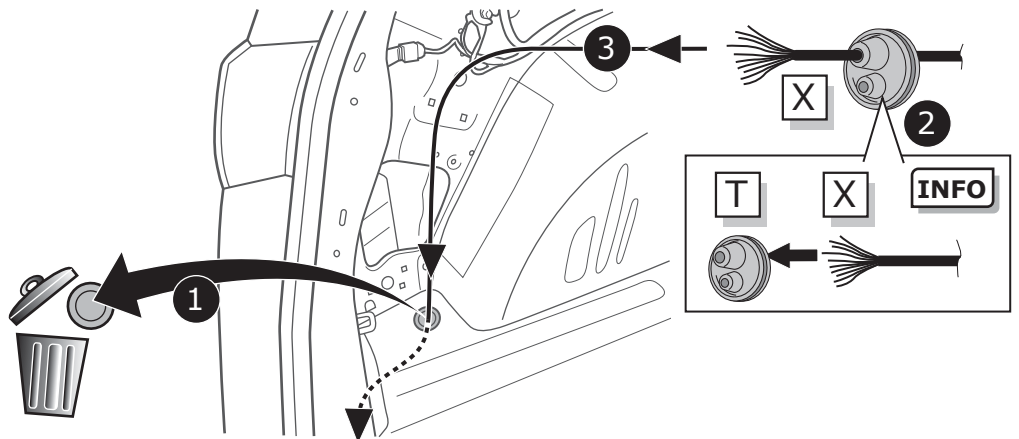
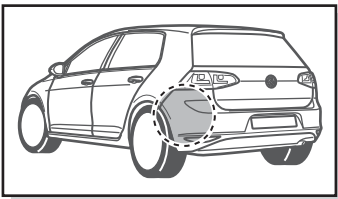


8



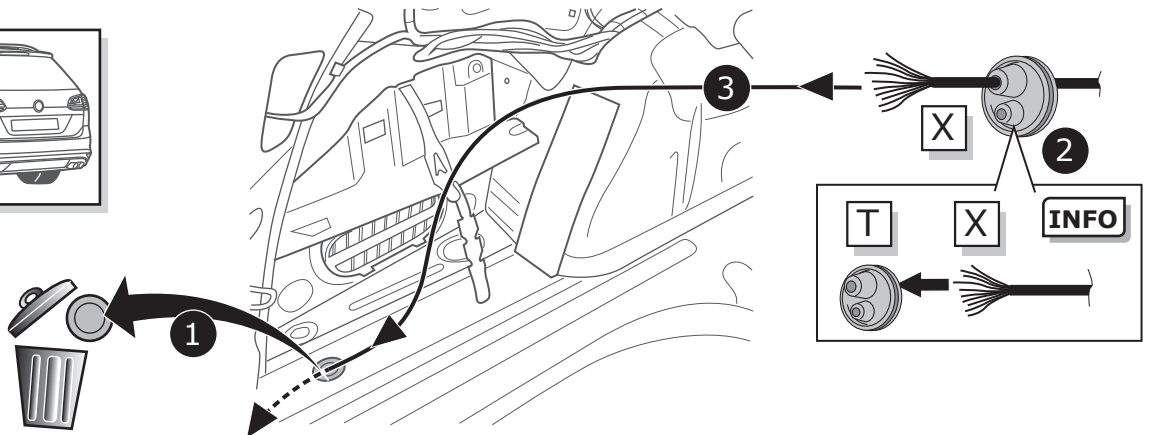
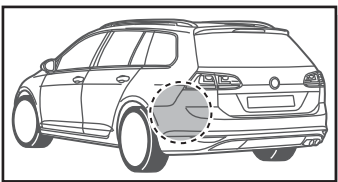
# Golf VII 5G Limo

9



# Golf VII 5G Variant

10



**A**

**Option 1**

**Option 2**

---

**Option 3**

**INFO**

SOCKET CONNECTION

Pag. 16

**B**

**Option 1**

**C**

**Option 2**

- 1
- 2
- 3
- 4

**D**

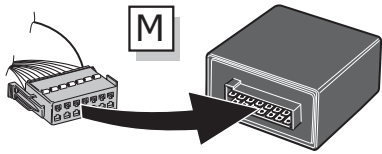
**Option 3**

- 1
- 2
- 3
- 4

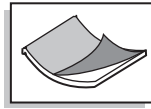


# Golf VII 5G Limo / Variant

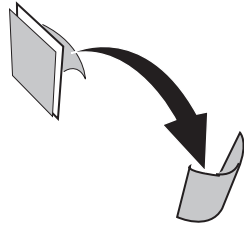
11



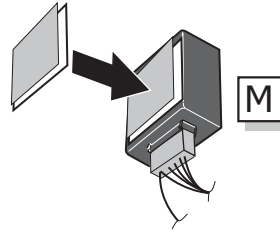
1



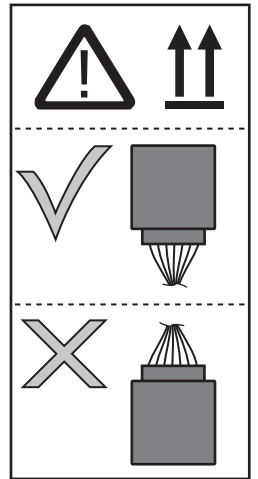
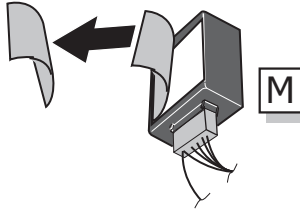
2



3

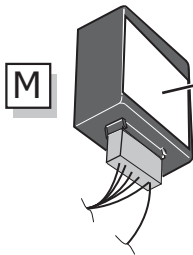
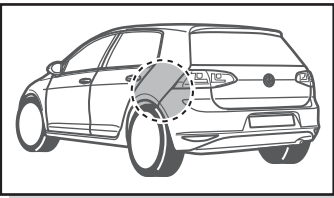


4



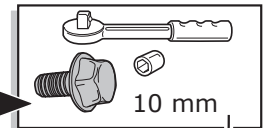
# Golf VII 5G Limo

12

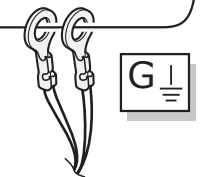


1

2

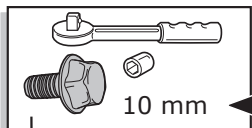


3

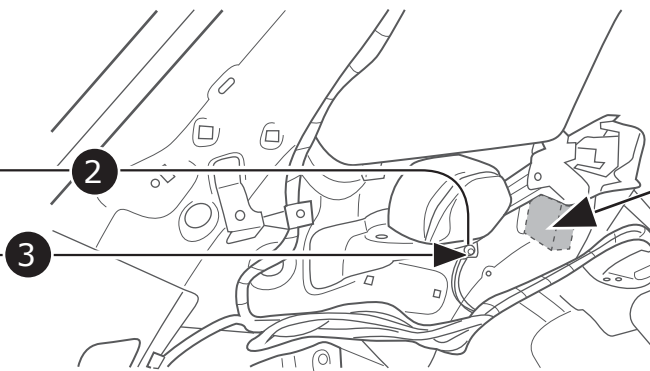


# Golf VII 5G Variant

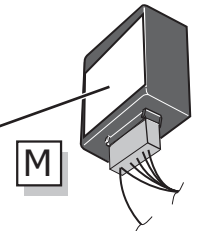
13



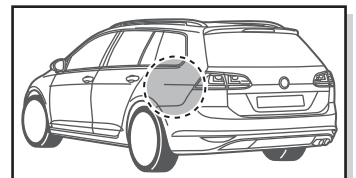
2



1

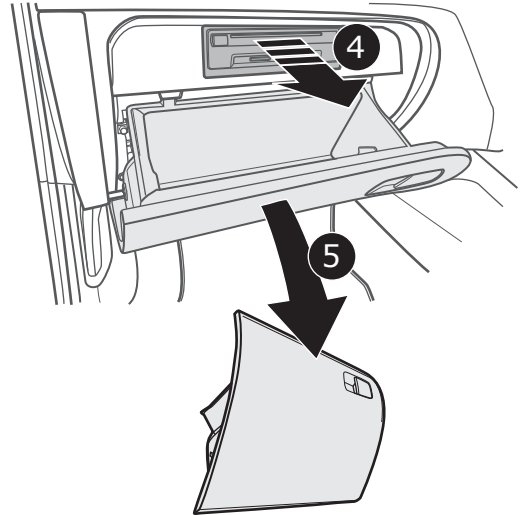
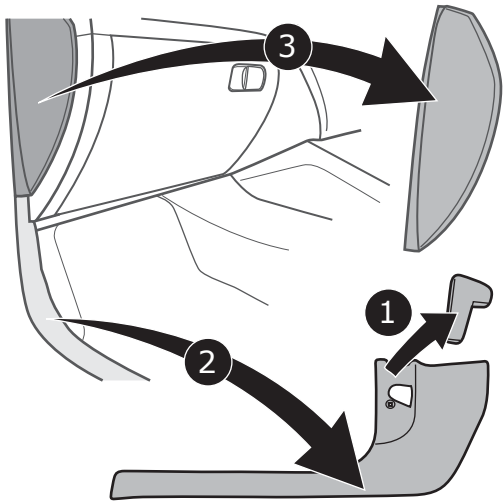
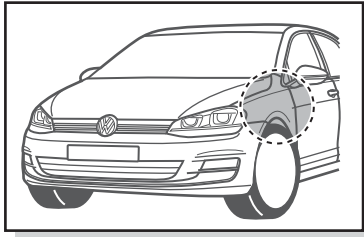


3

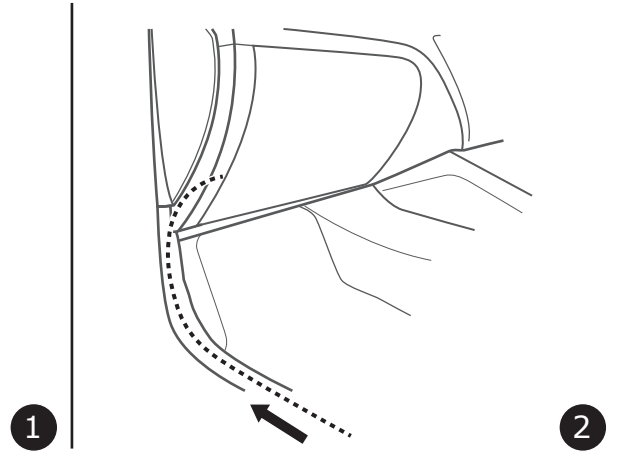
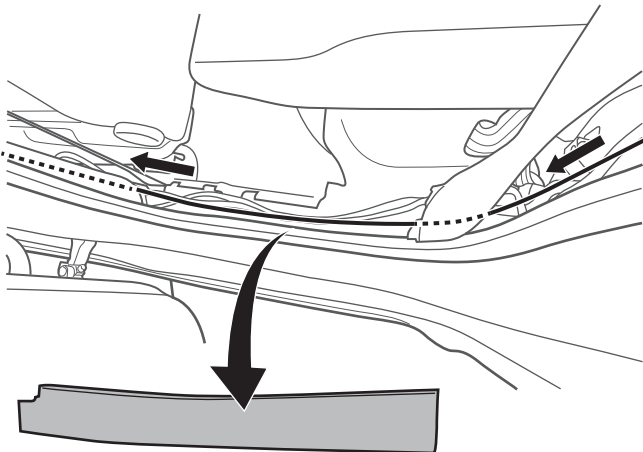




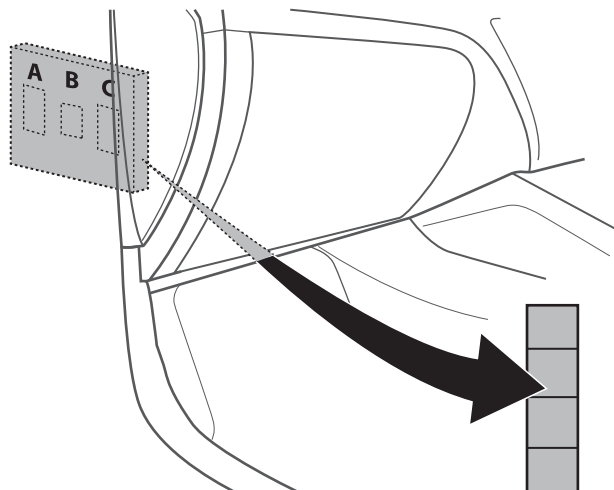
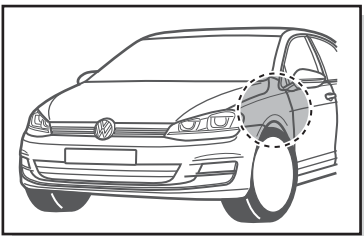
14



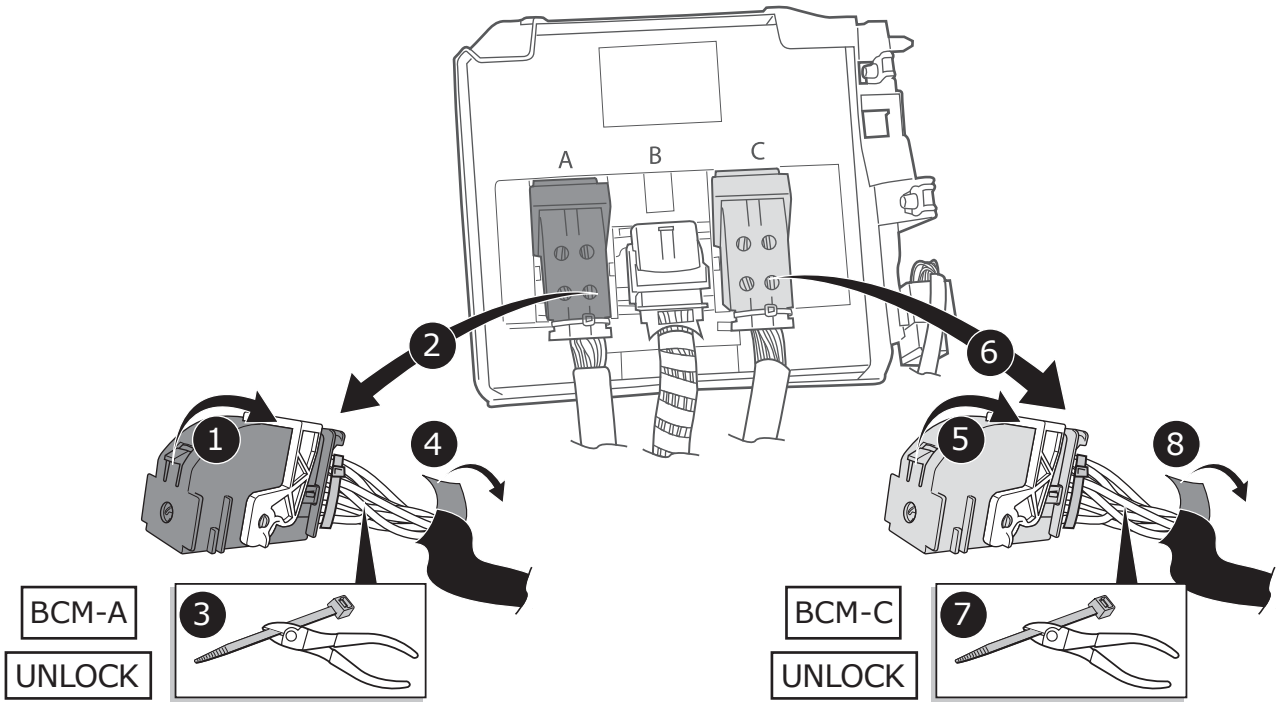
15



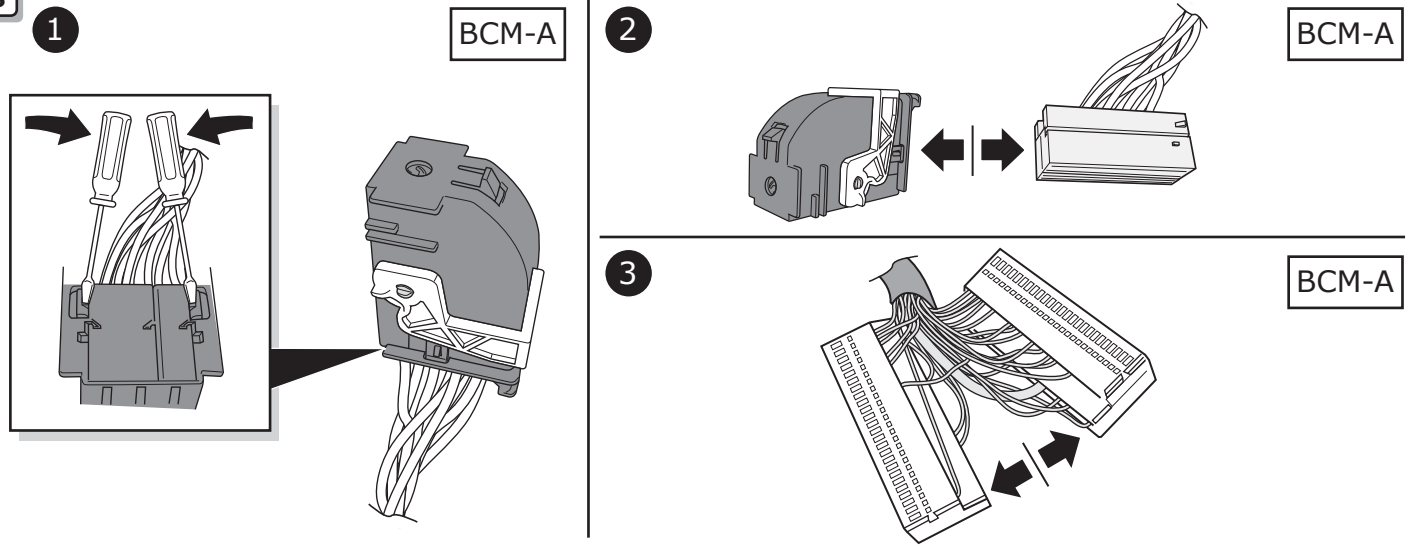
16



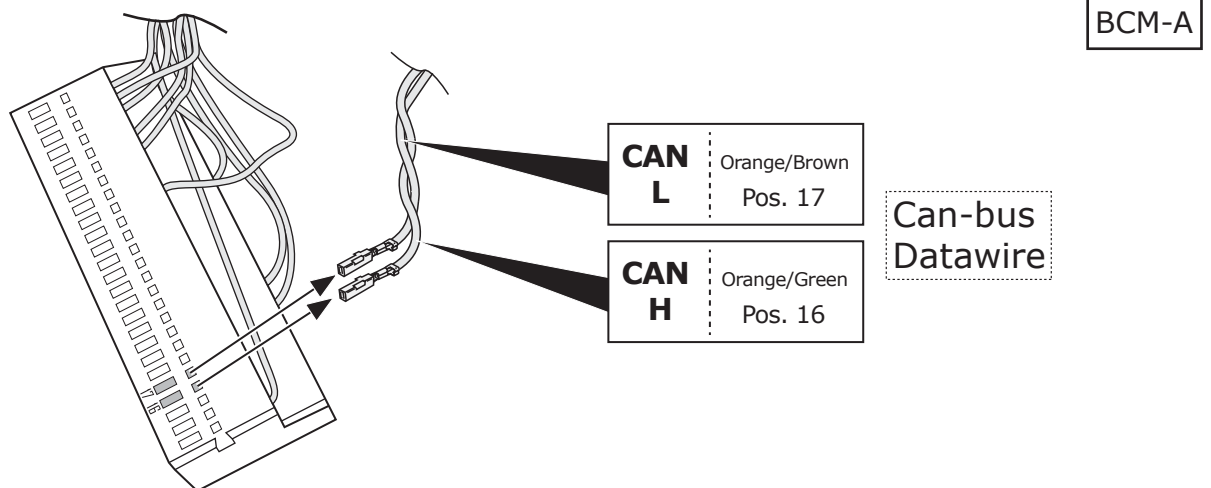
17



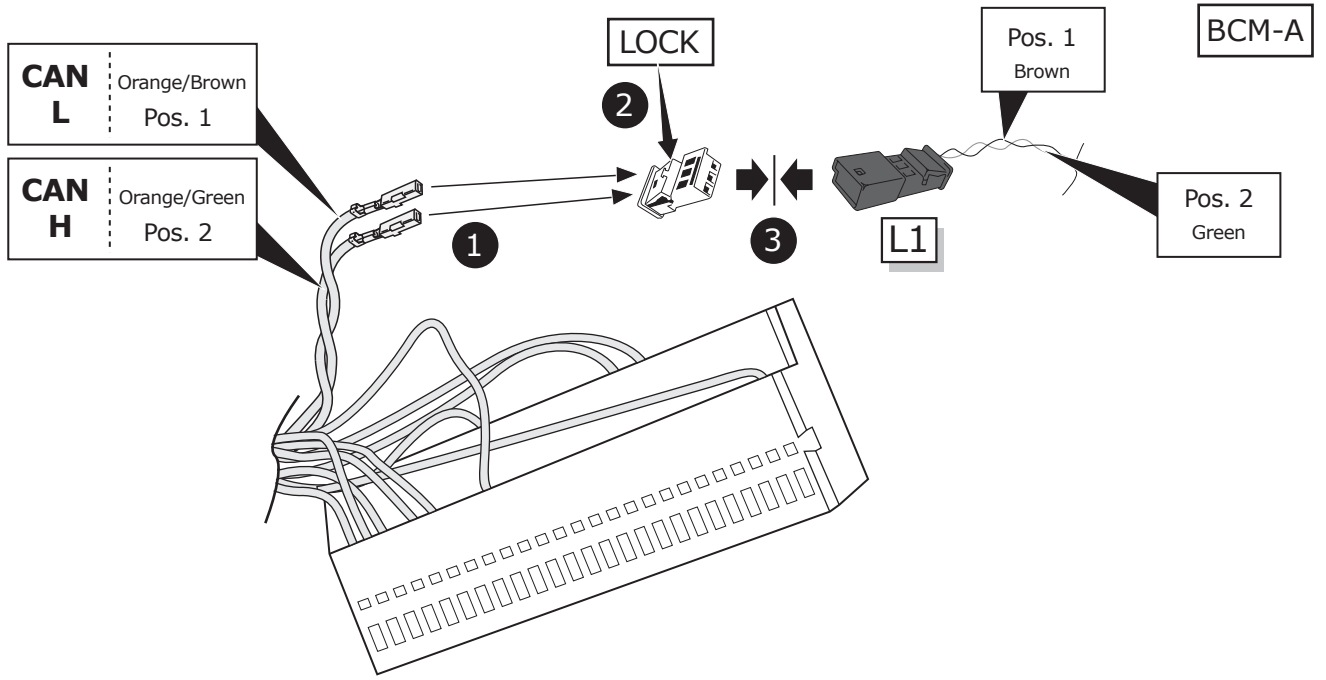
18



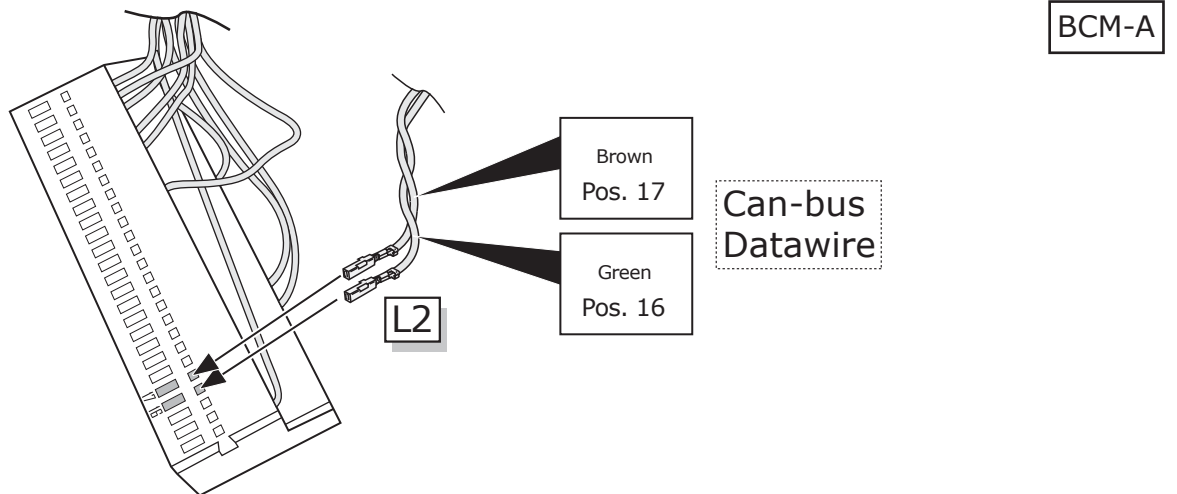
19



20

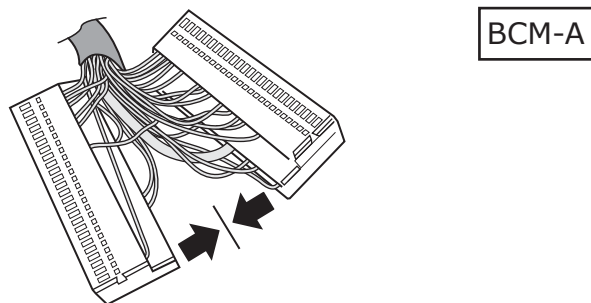


21

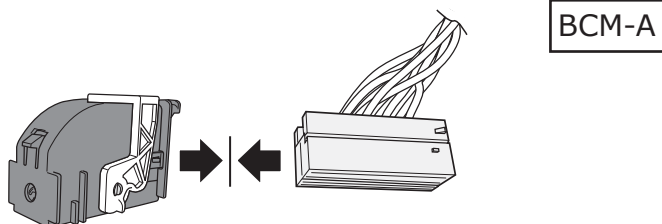


22

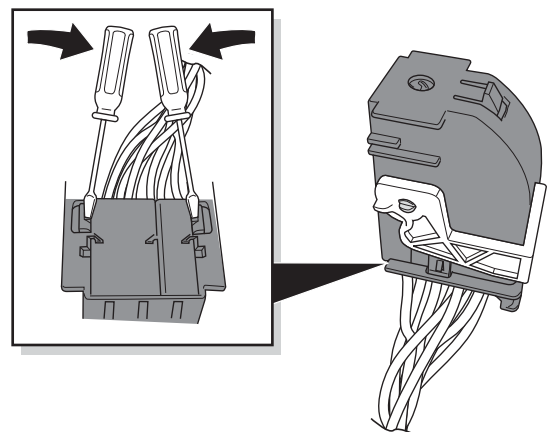
1



2



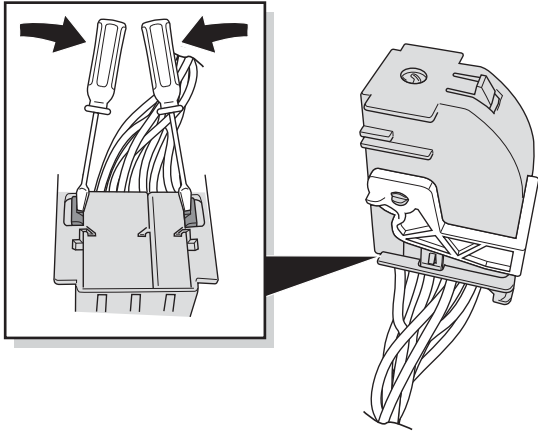
3



23

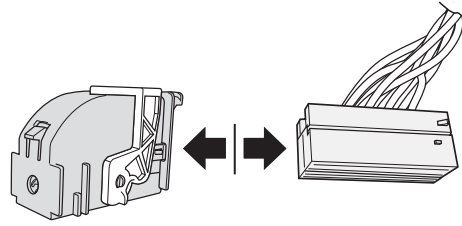
1

BCM-C



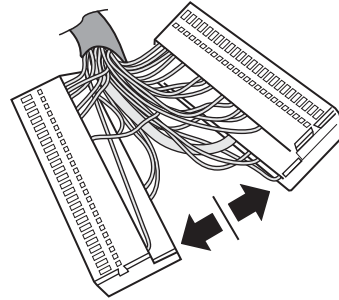
2

BCM-C



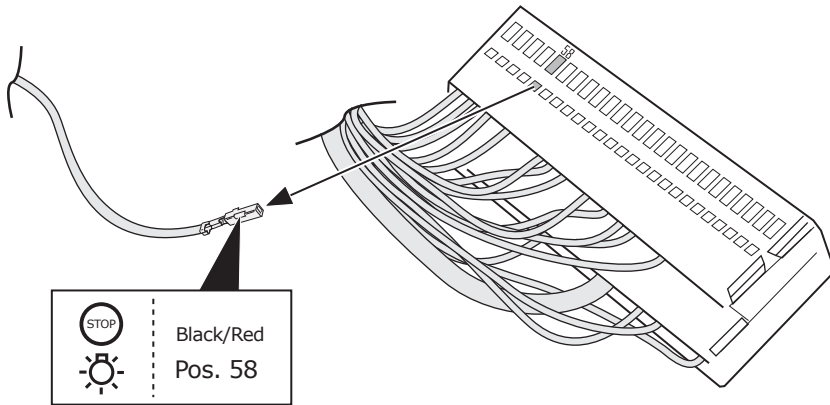
3

BCM-C



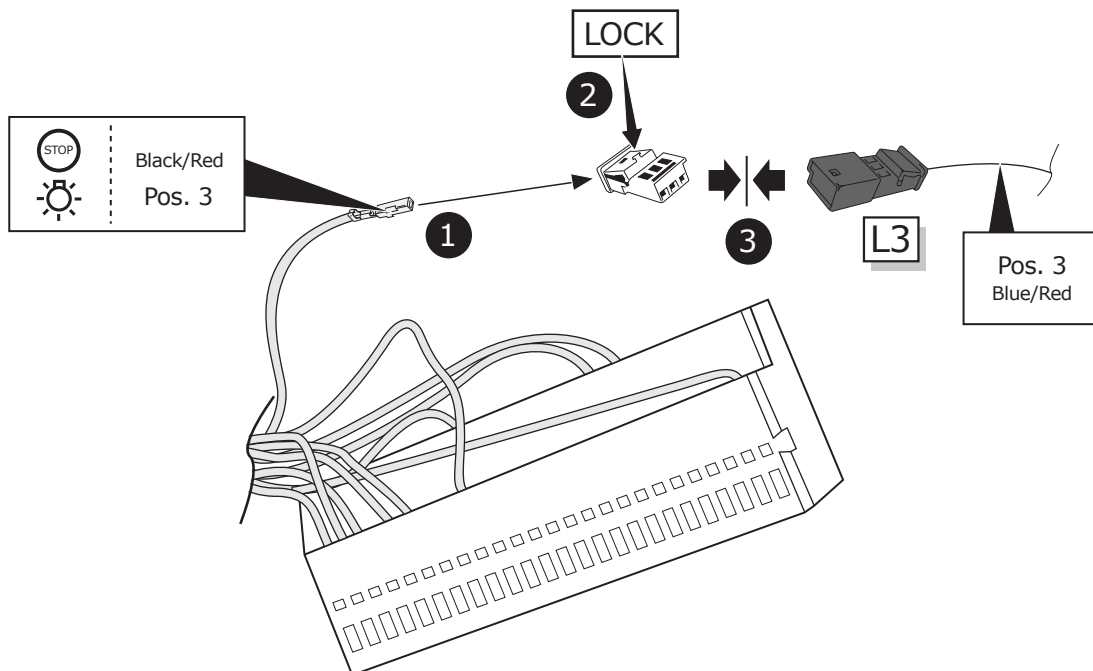
24

BCM-C



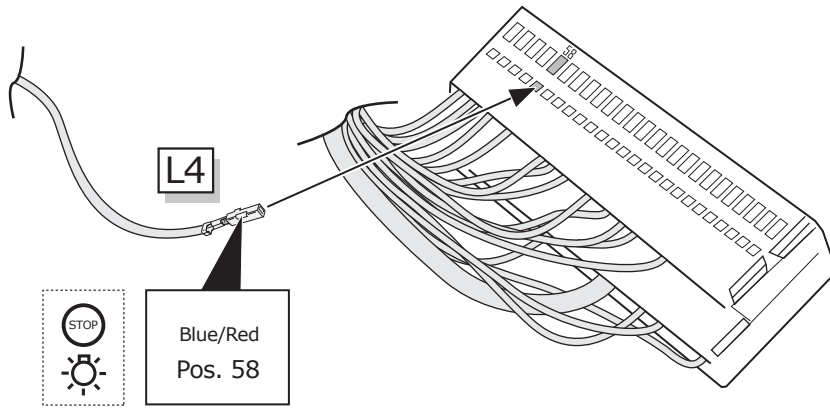
25

BCM-C



26

BCM-C

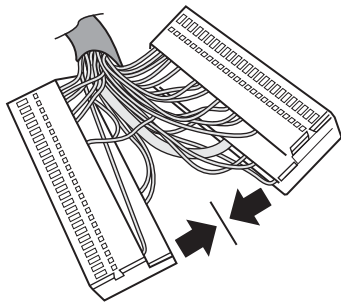


27

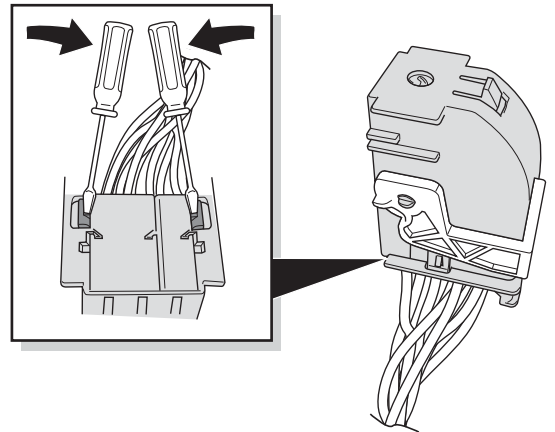
BCM-C

BCM-C

1

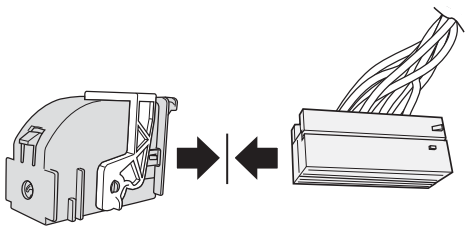


3

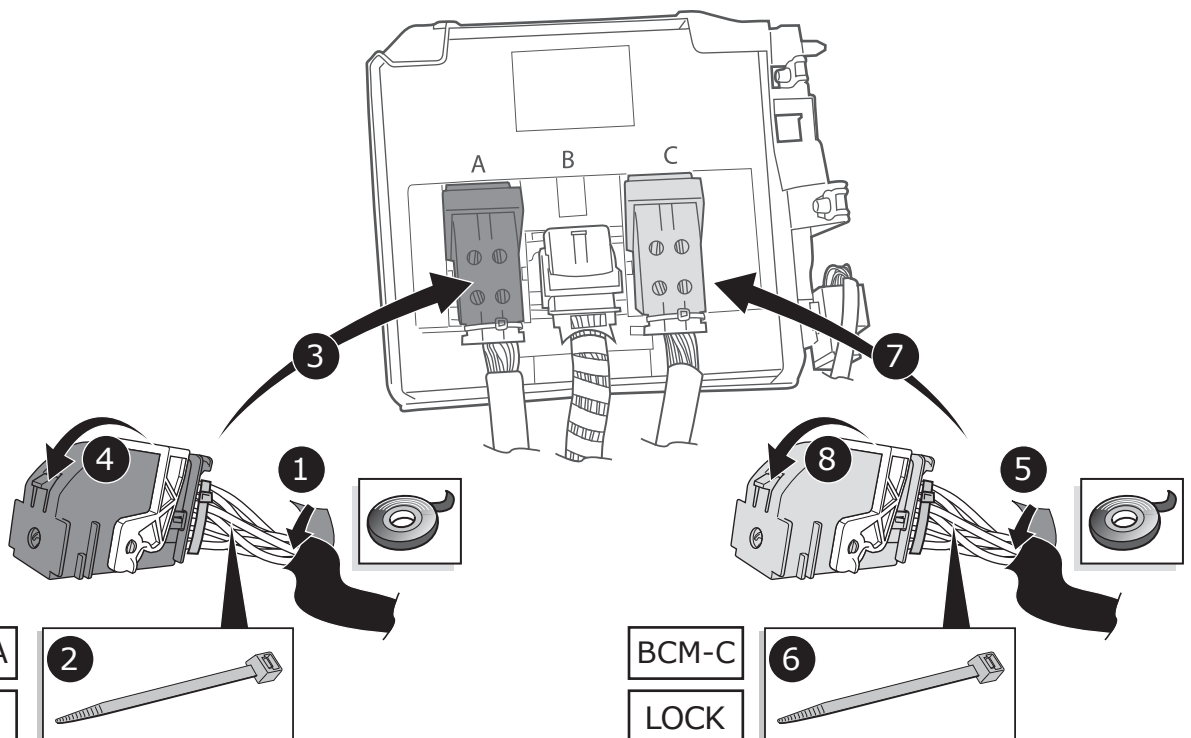


2

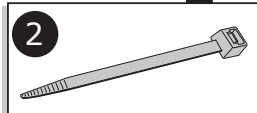
BCM-C



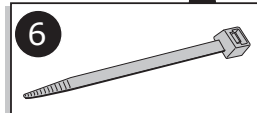
28



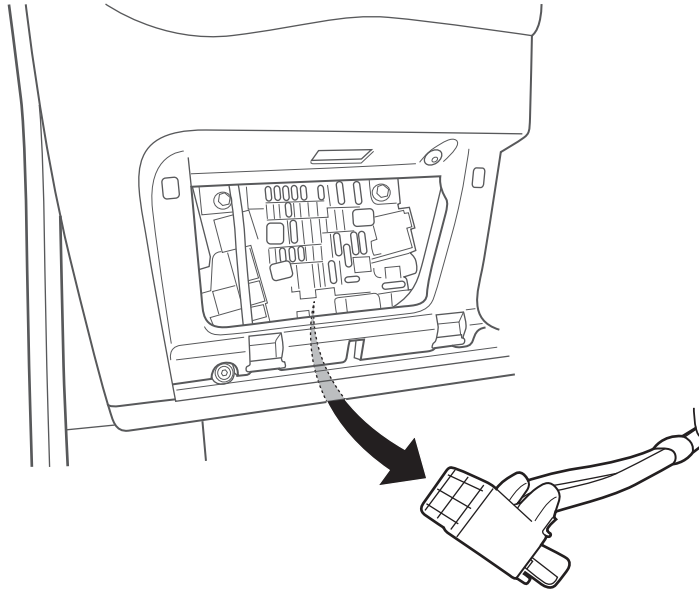
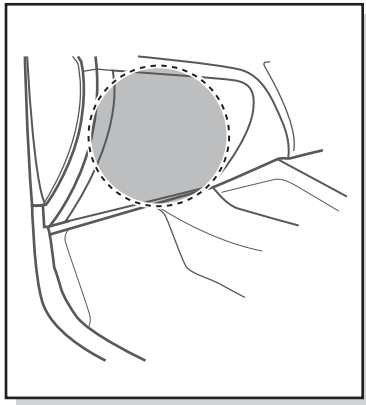
BCM-A  
LOCK



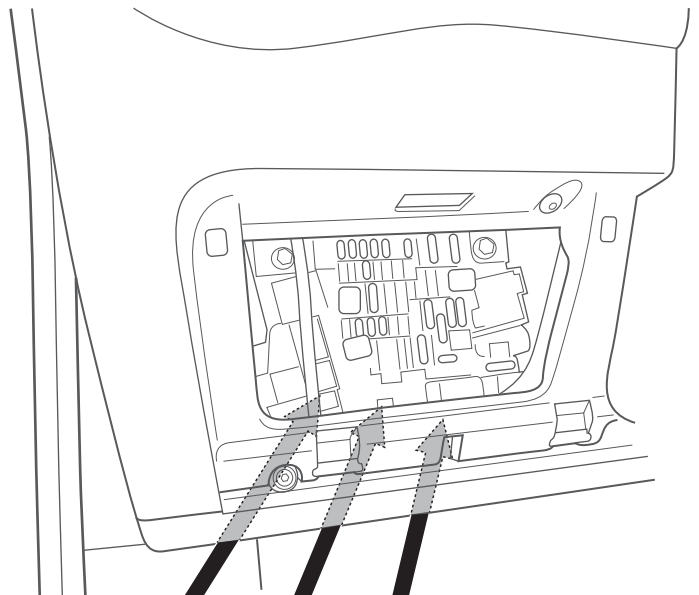
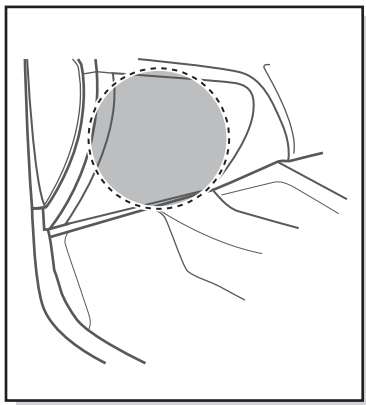
BCM-C  
LOCK



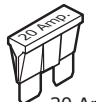
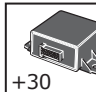



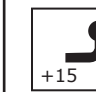
29

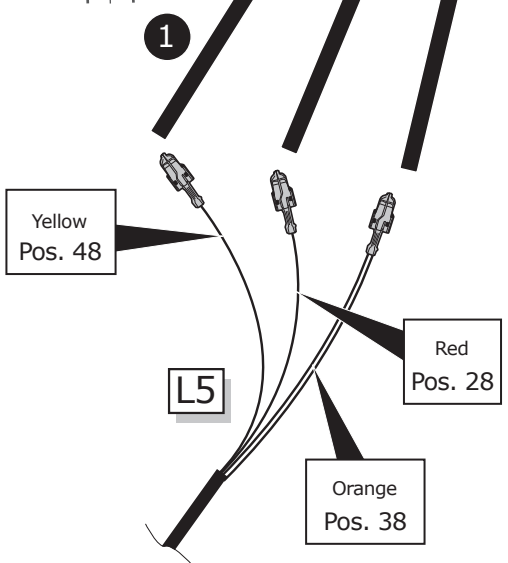


30

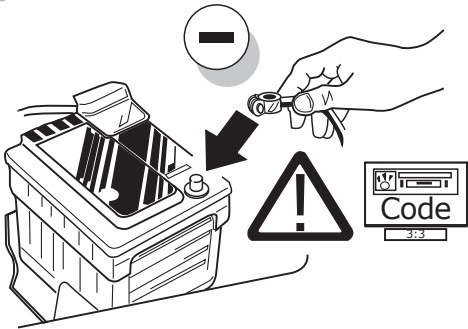


2

 <p>20 Amp.</p> <p>Pos. 38</p>  <p>+30</p>	 <p>15 Amp.</p> <p>Pos. 28</p>  <p>+30</p>	 <p>15 Amp.</p> <p>Pos. 48</p>  <p>+15</p>
--	--	--



31



INFO

## ONLINE CODING



INFO

Warning! It must be ensured that all the requirements of the vehicle manufacturer for changes to and retro-fitting on the vehicle and/or cooling system for the operation with a trailer are carried out. Subject to change.

32

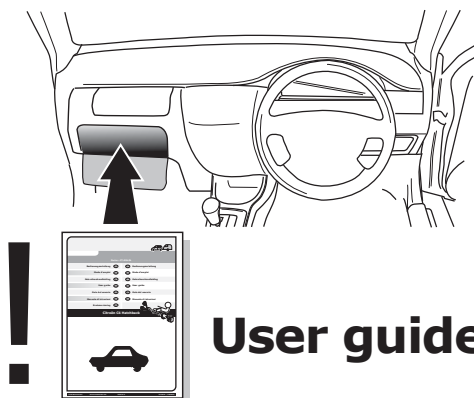


TEST ALL THE CIRCUITS WITH A TEST DEVICE WITH THE CORRECT POWER LOAD FOR EACH FUNCTION. A TEST DEVICE WITH LED'S CANNOT BE USED FOR THIS PURPOSE.

INFO


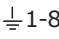



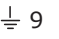
REINSTALL TRIM.

33





## SOCKET CONNECTION

DIN/ISO 11446													
	1/L	2	3/31	4/R	5/58-R	6/54	7/58-L	8	9	10	11	12	13
Pmax	21W	21W		21W	42W	3x21W	42W	21W	180W/15Amp	180W/15Amp			
Colour	Black/ White	Blue	Brown	Black/ Green	Grey/ Red	Black/ Red	Grey/ Black	Black	Red	Yellow	Brown	-	Brown