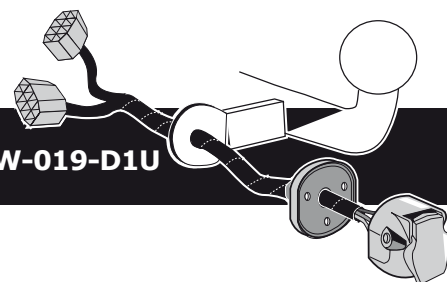


**BMW 3 Serie E46 04-1998 - 02/2005**

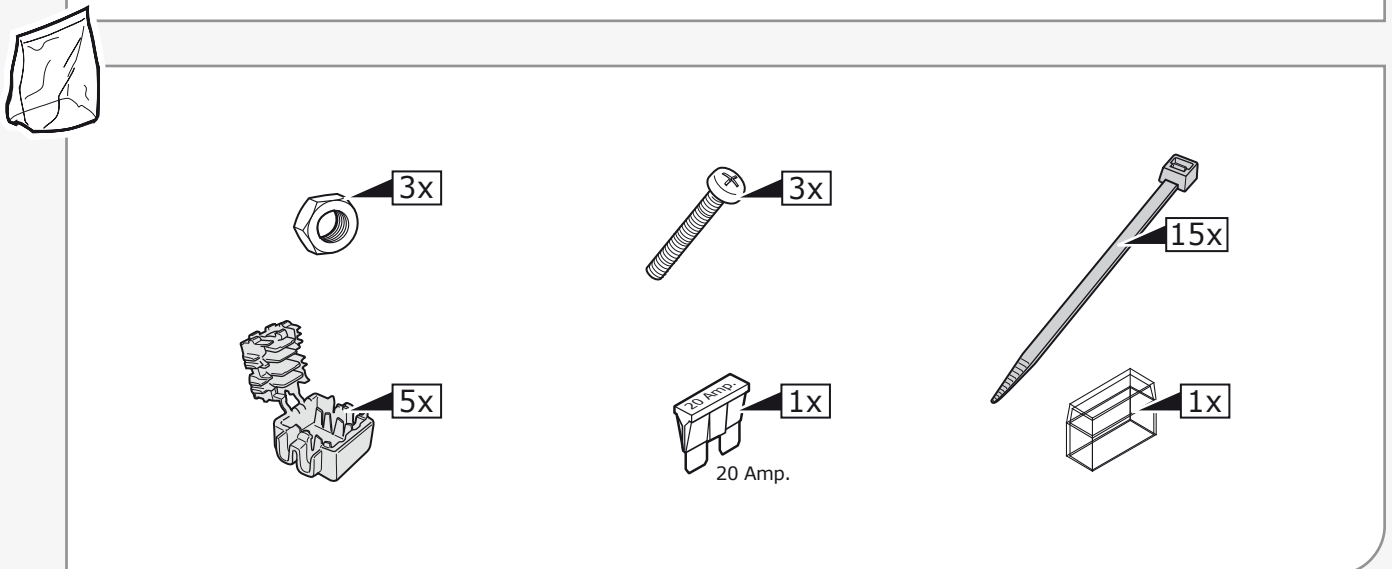
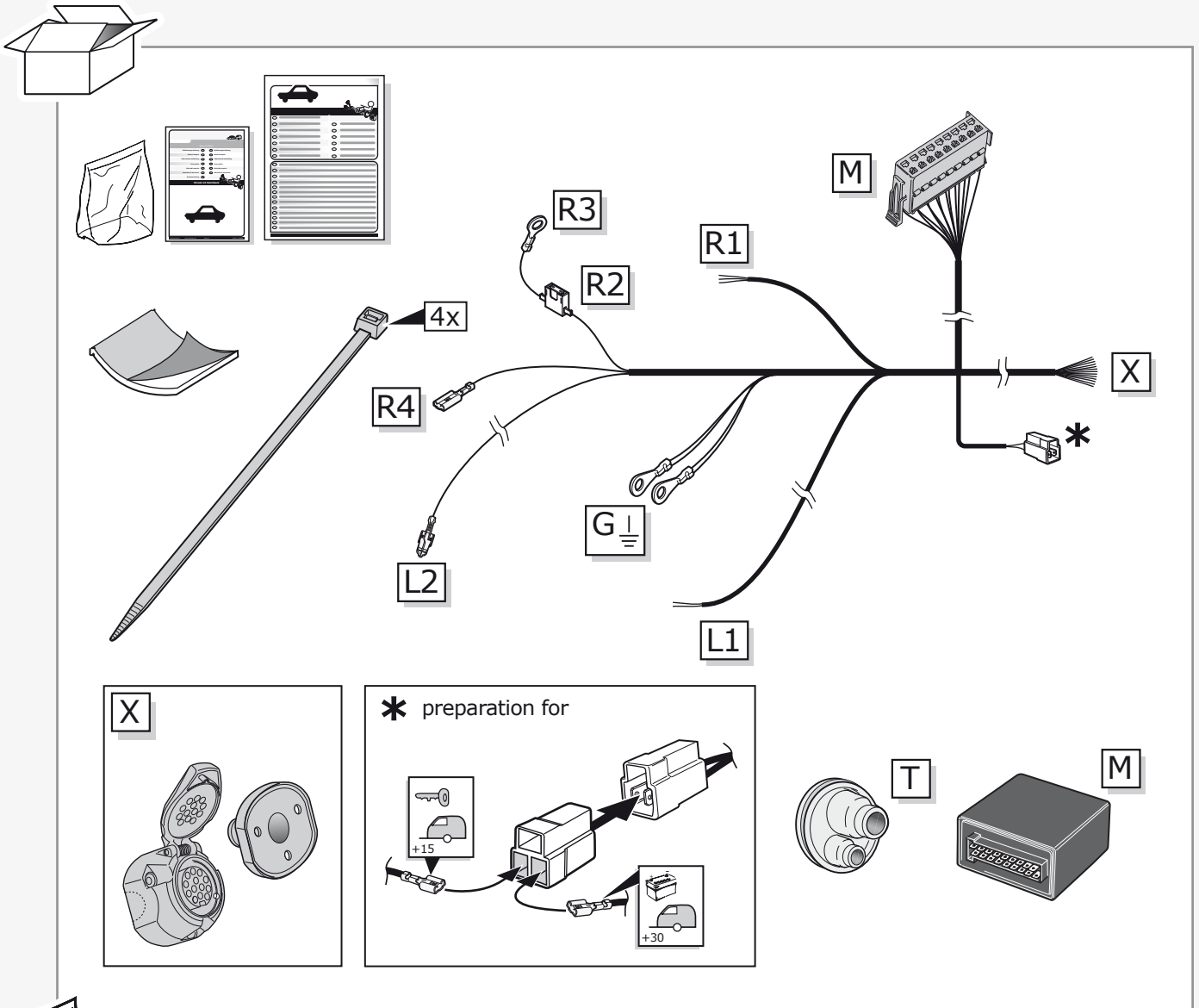
**Partnr.: BW-019-D1U**

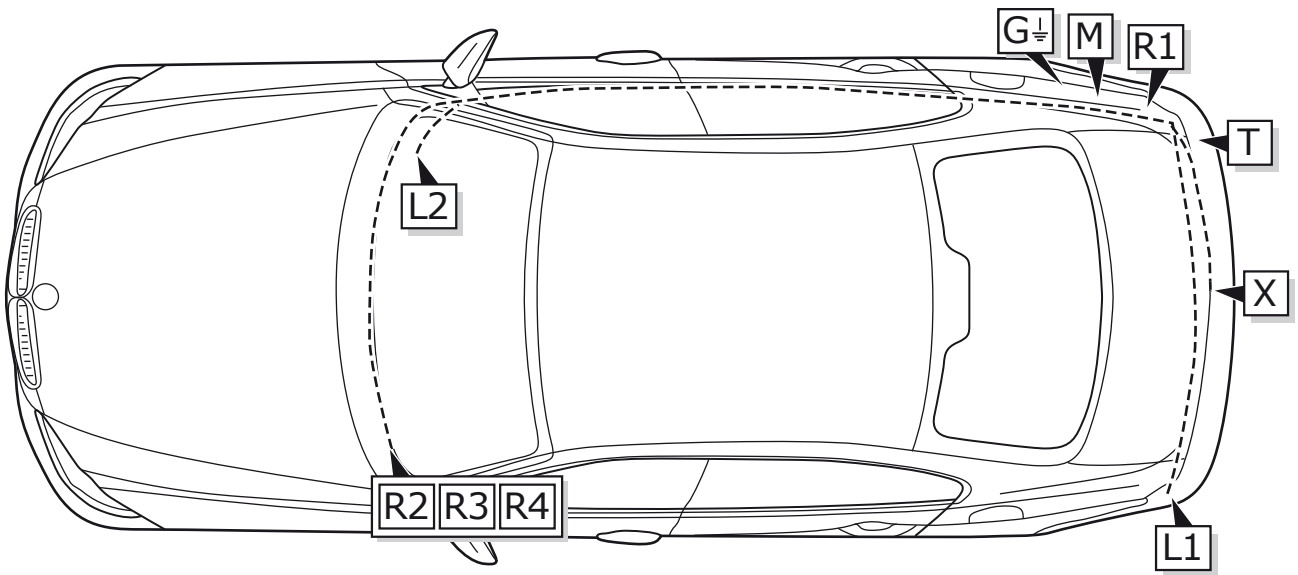


- Fitting instructions electric wiring kit tow bar with 13-P socket up to DIN/ISO Norm 11446.
- We would expressly point out that assembly not carried out properly by a competent installer will result in cancellation of any right to damage compensation, in particular those arising by virtue of the product liability act.
- Contents of these kits and their fitting manuals are subject to alteration without notice, please ensure that these instructions are read and fully understood before commencing installation.
- Do not overload circuits; the maximum loads per connection are detailed in this manual.
- Attention! Before Installation, please read this manual carefully and inform your customer to consult the vehicle owners manual to check for any vehicle modifications required before towing.
- In the event of functional problems, troubleshooting must be limited to about 0.5 hours, contact the technical support:  
[ukts@ecs-electronics.com](mailto:ukts@ecs-electronics.com) / 07440 202 052.

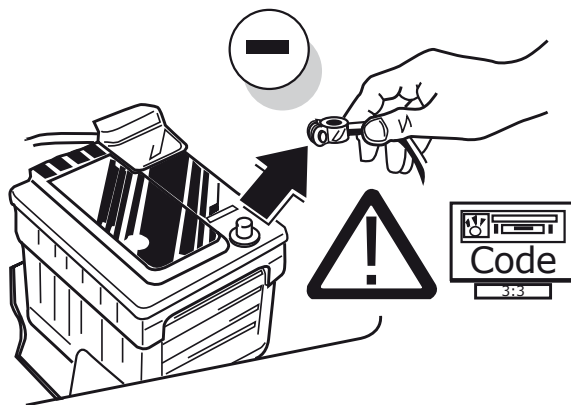


# Part list

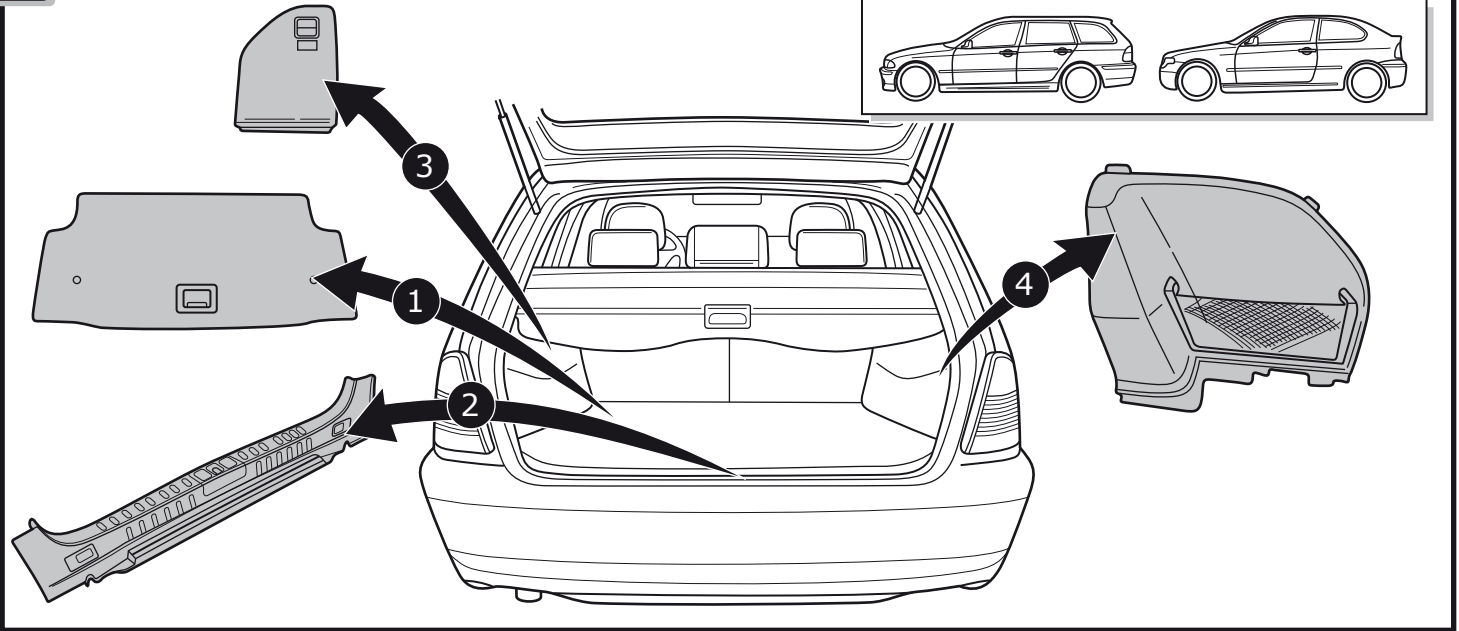




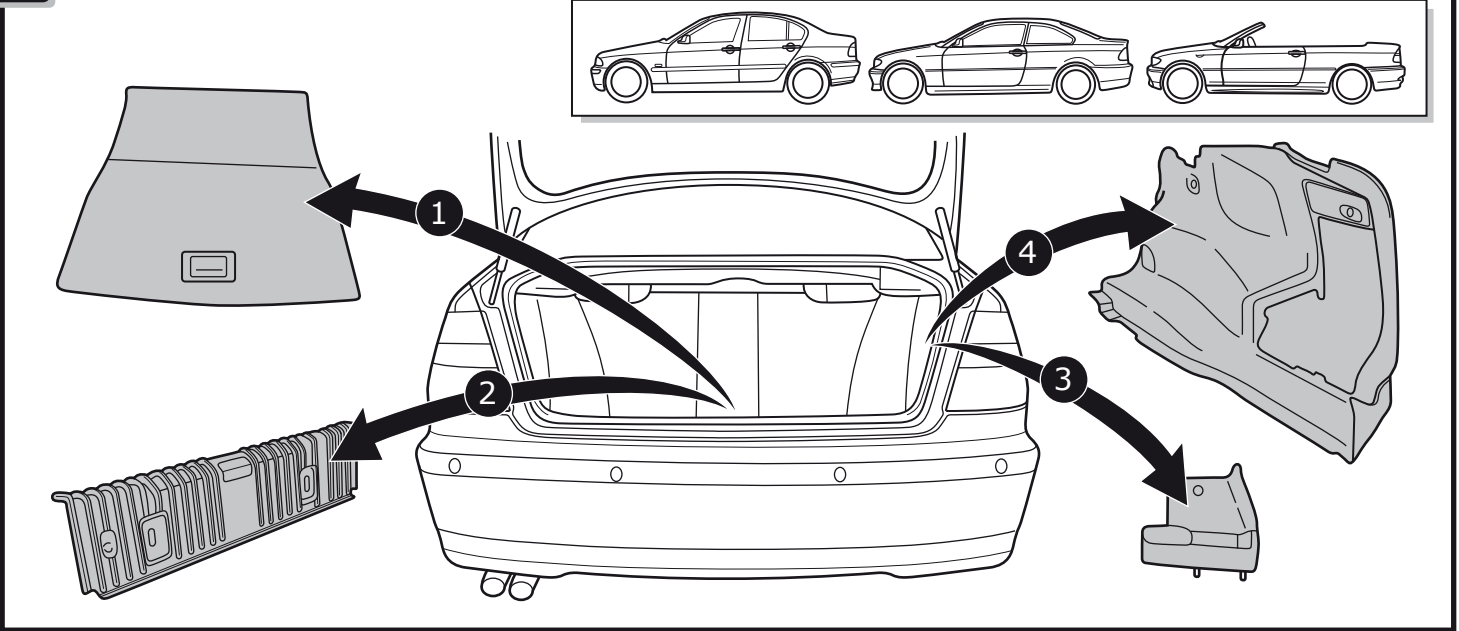
1



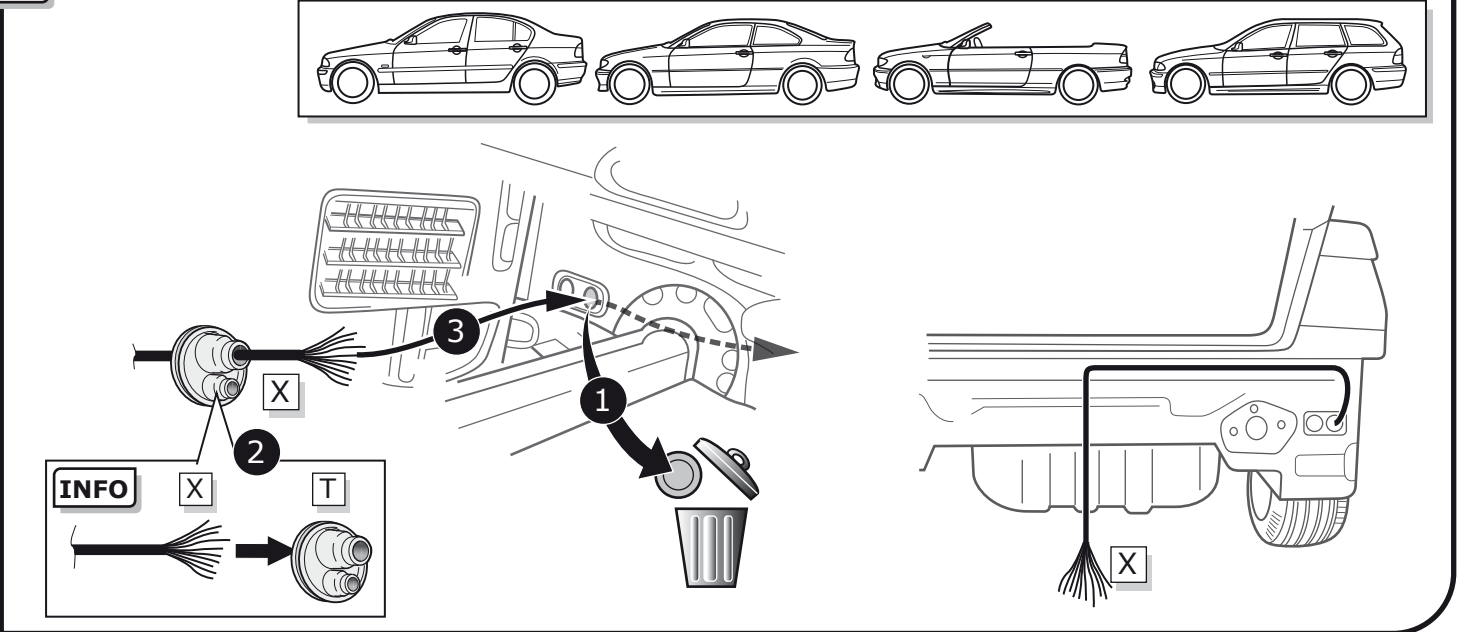
2



3

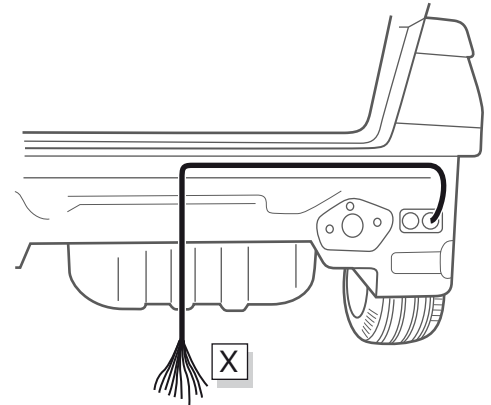
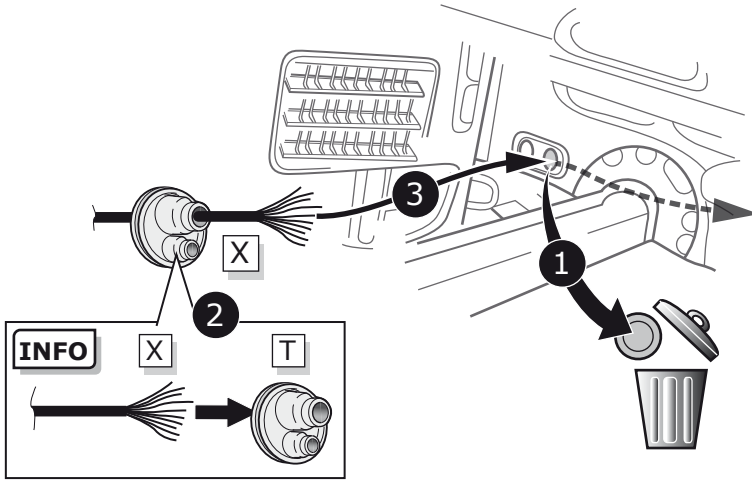
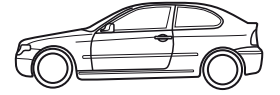


4



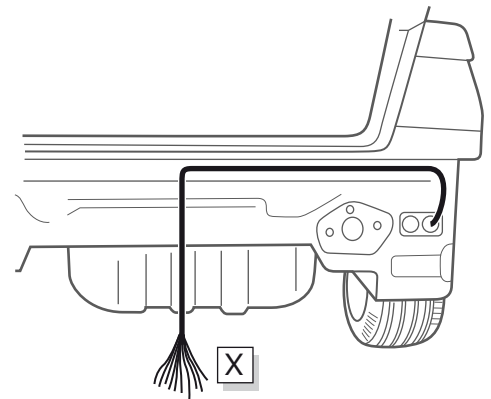
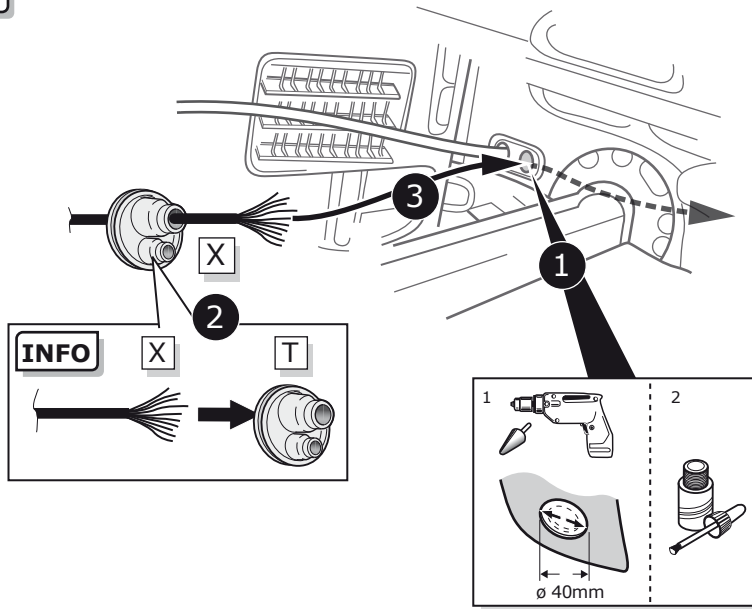
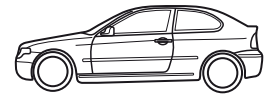
5

**OPTION 1  
NO PDC**



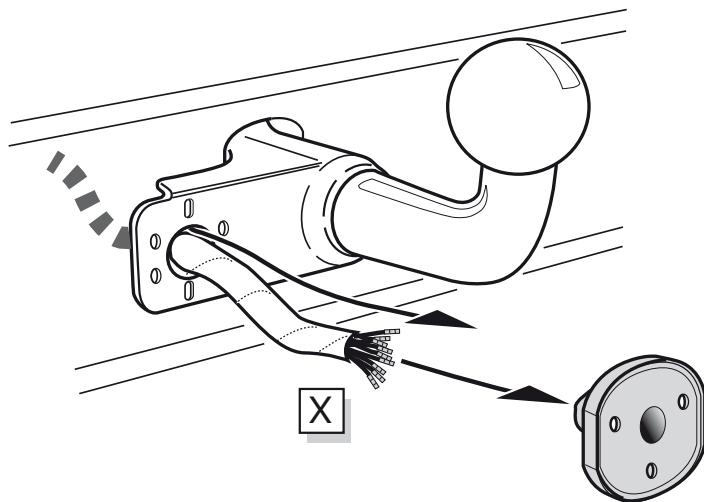
6

**OPTION 2  
PDC**



A

**INFO**

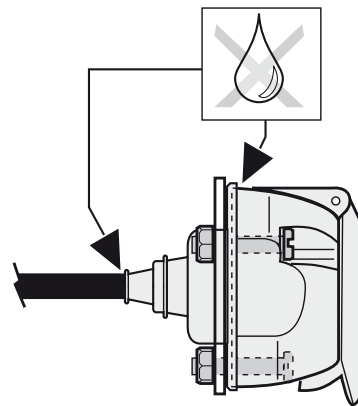
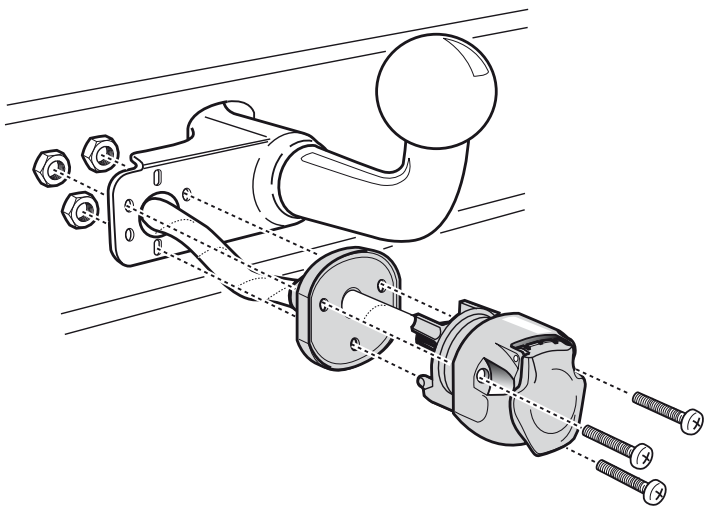


SOCKET CONNECTION

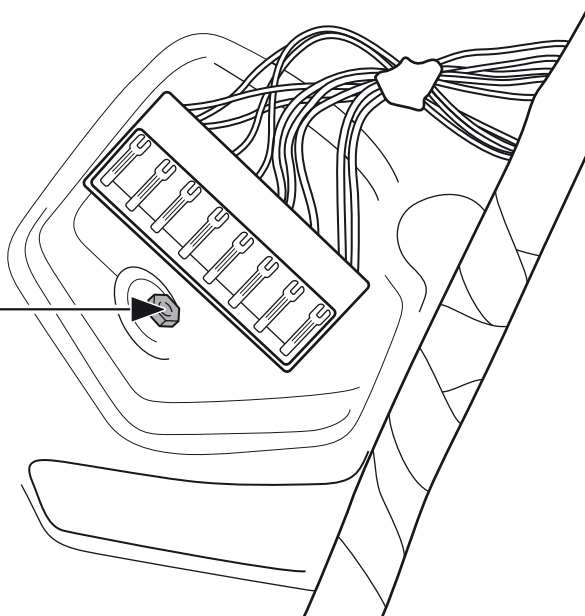
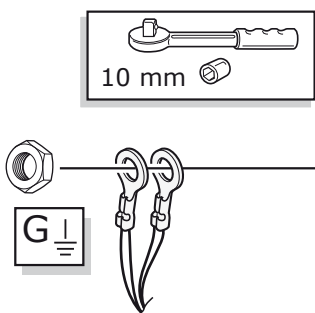


Pag. 12

B



7



8

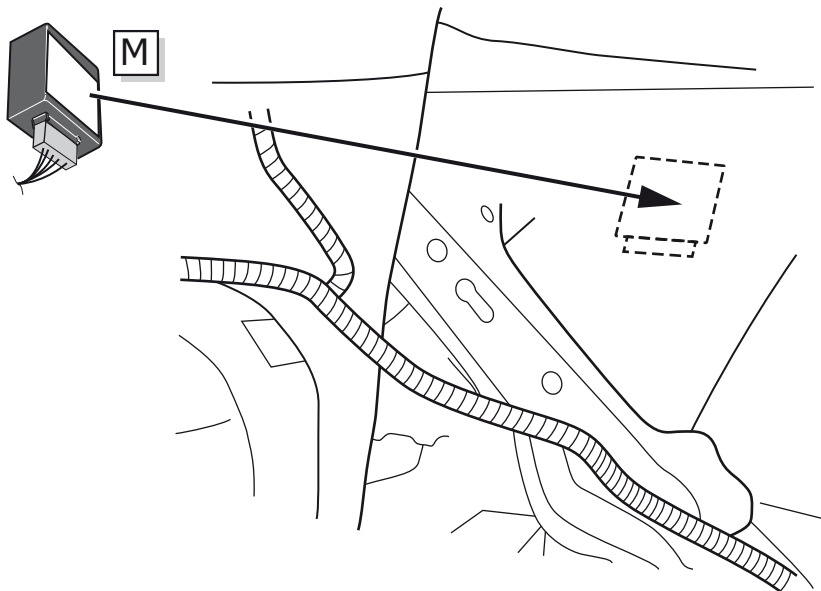
**1**

**2**

**3**

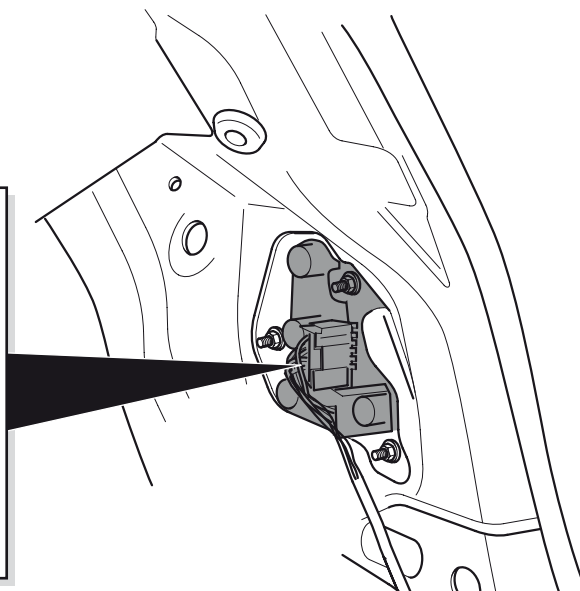
**4**

9



10

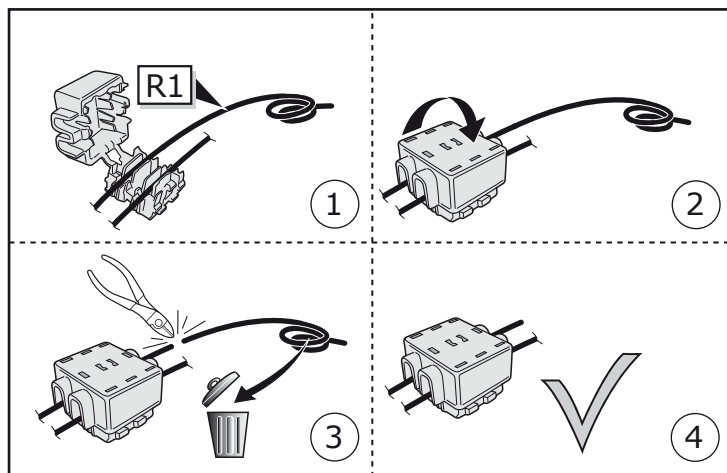
54 STOP		
R →		
R ☀		



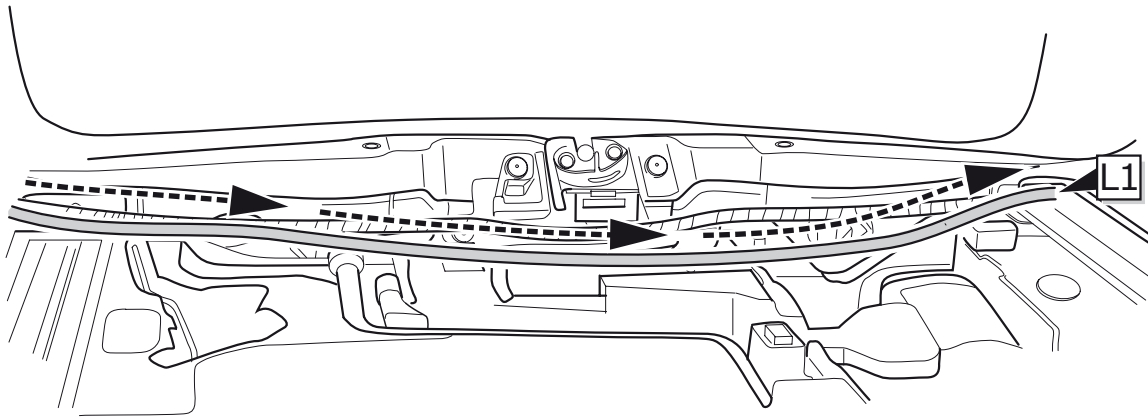
11

R1

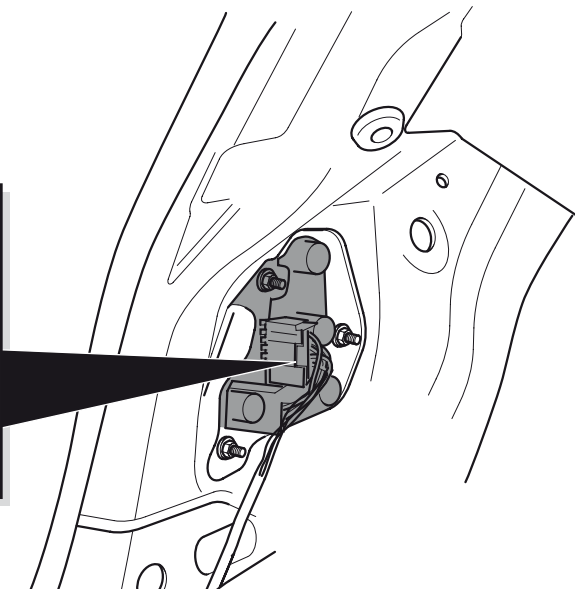
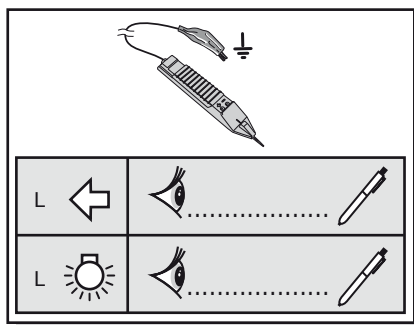
- Black/Green → ← R ⇄
- Black/Brown → ← R ☀
- Blue/Red → ← 54 STOP



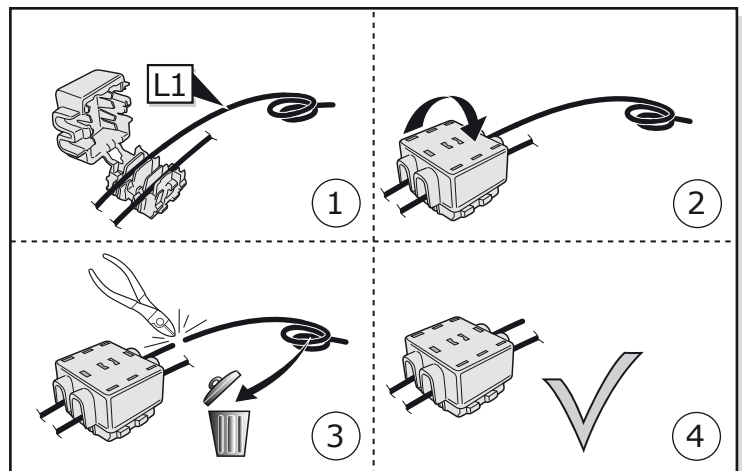
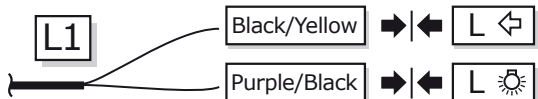
12



13

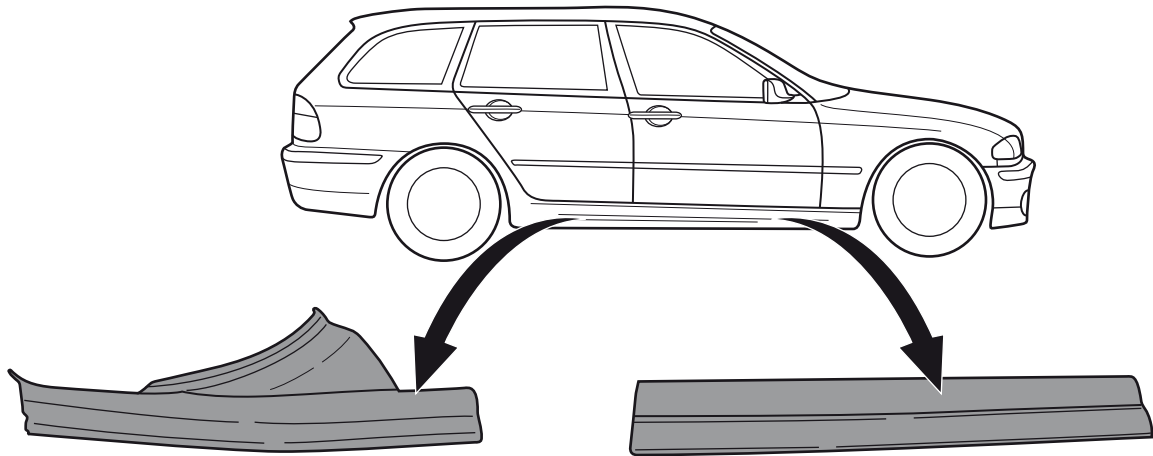


14

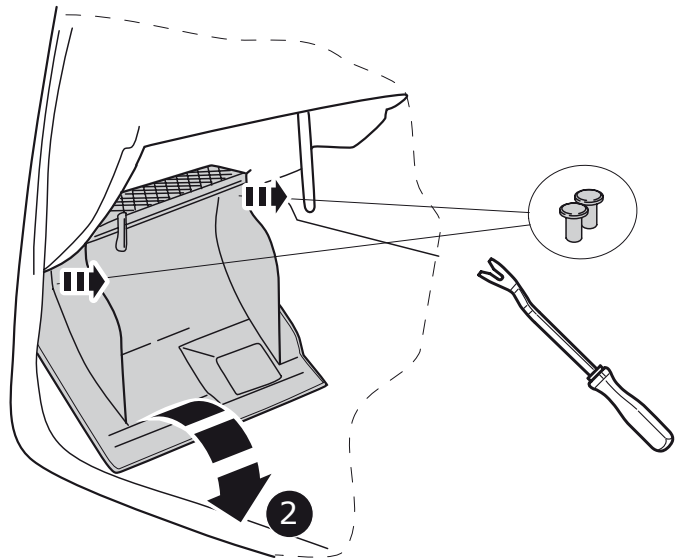
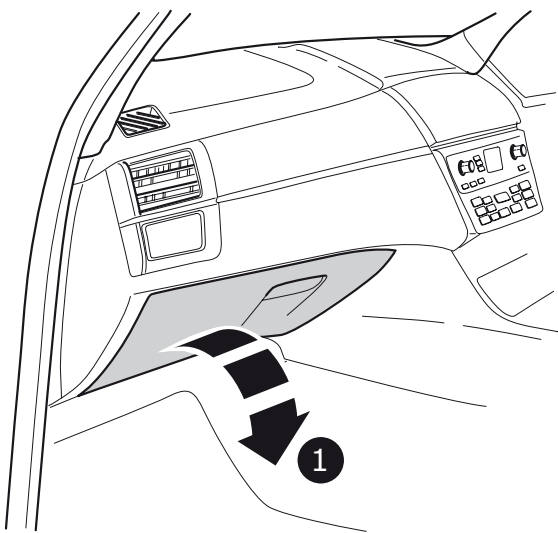




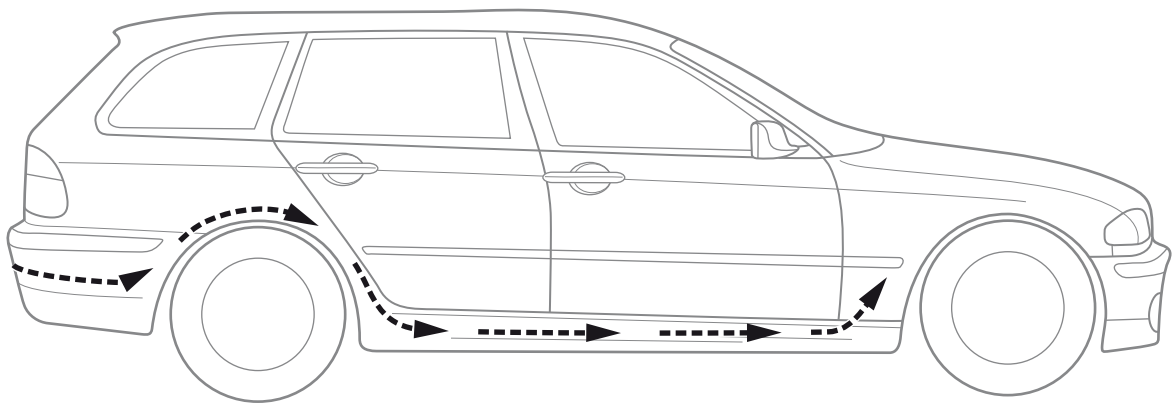
15



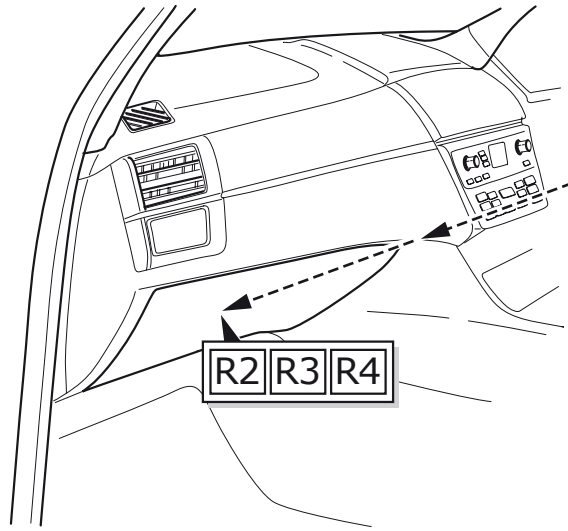
16



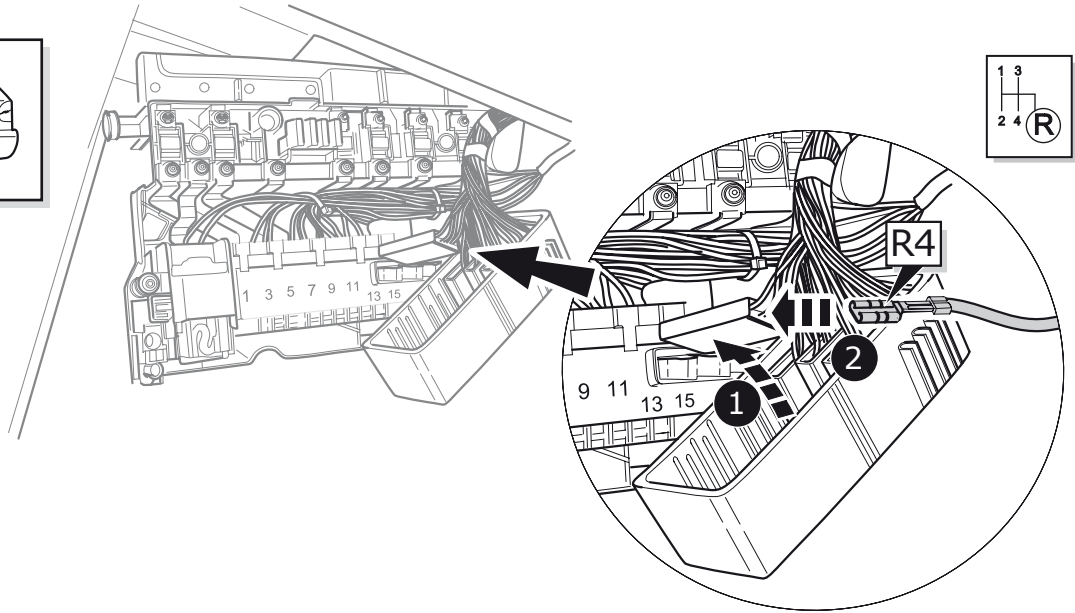
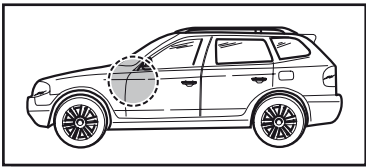
17



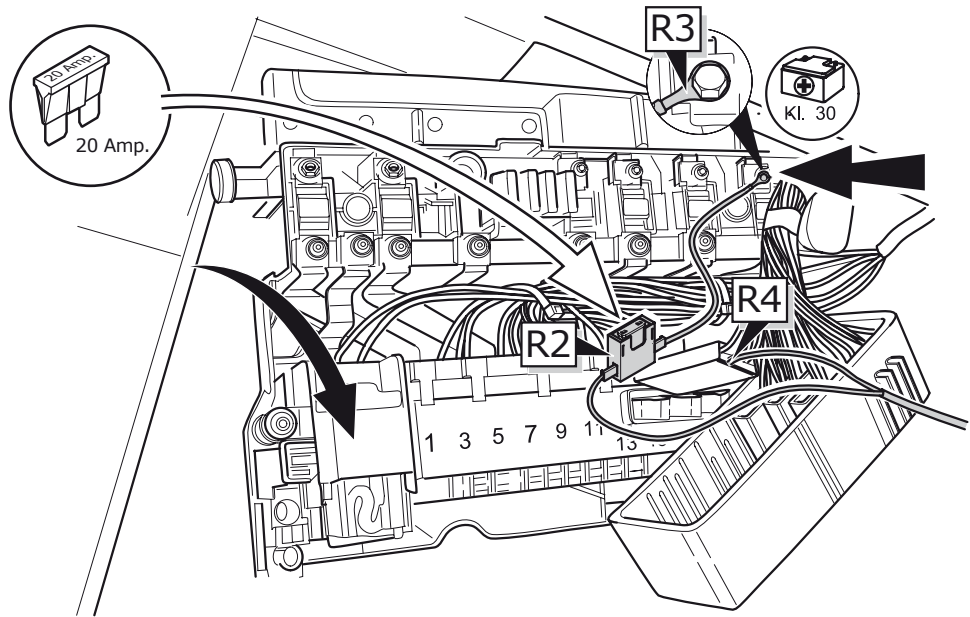
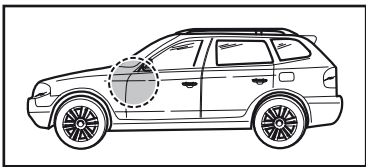
18



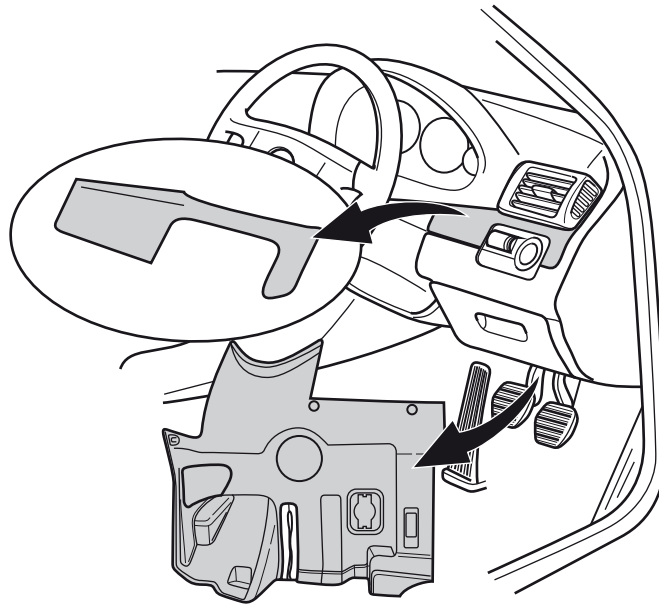
19



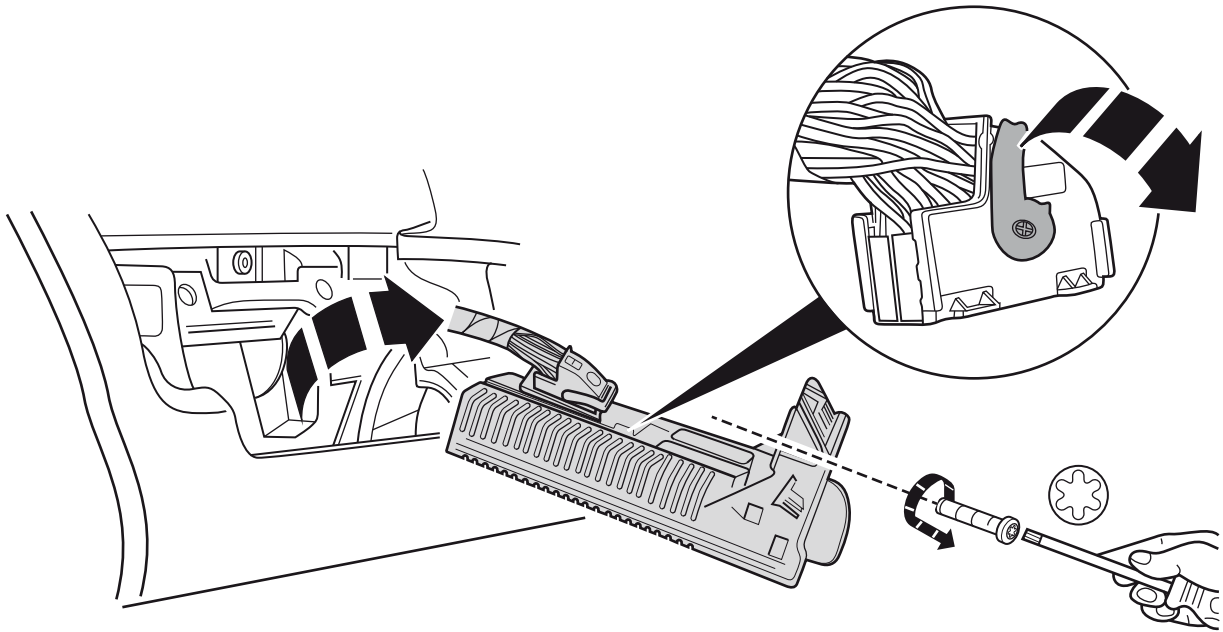
20



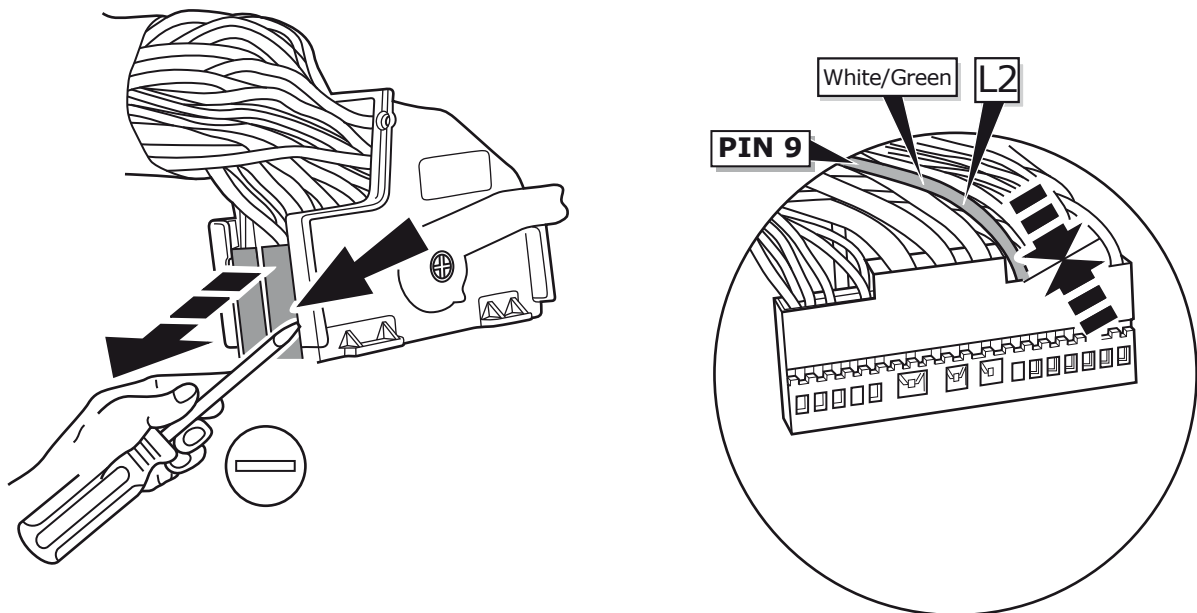
21



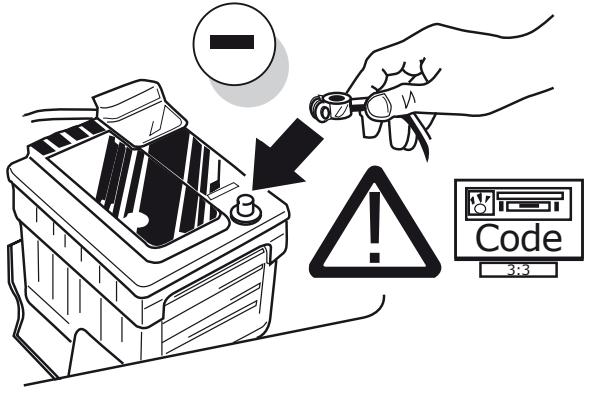
22



23



24



25

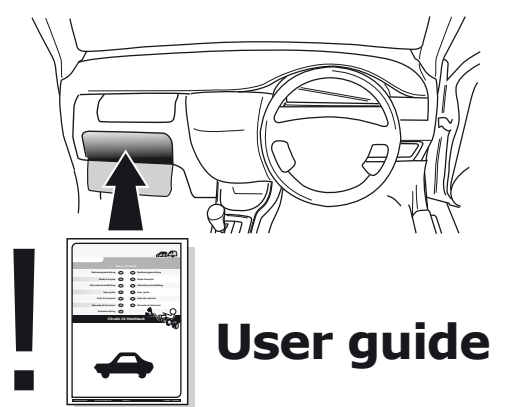


TEST ALL THE CIRCUITS WITH A TEST DEVICE WITH THE CORRECT POWER LOAD FOR EACH FUNCTION. A TEST DEVICE WITH LED'S CANNOT BE USED FOR THIS PURPOSE.

INFO

REINSTALL TRIM.

26



INFO

SOCKET CONNECTION

DIN/ISO 11446													
	1/L	2	3/31	4/R	5/58-R	6/54	7/58-L	8	9	10	11	12	13
Pmax	21W	2x21W		21W	52W	3x21W	52W	2x21W	180W/15Amp	180W/15Amp			
Colour	Yellow	Blue	White	Green	Brown	Red 1,00 mm <sup>2</sup>	Black	Black/ Red	Brown/ White	Red 2,50 mm <sup>2</sup>	White	-	White