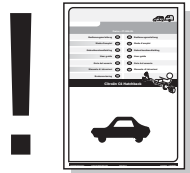
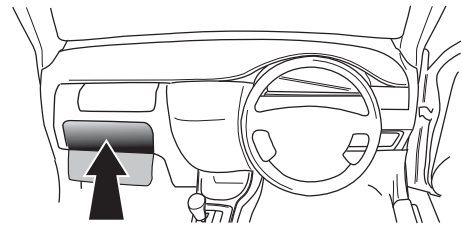
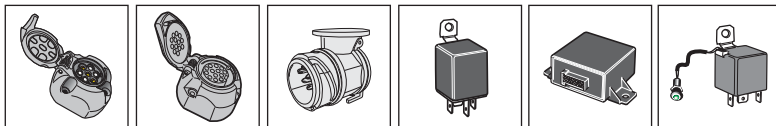


! INFO !

Do not charge the battery of the towing vehicle and/or towed vehicle directly via the socket.



User guide



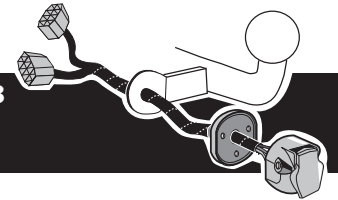
SPARE PARTS

www.ecs-electronicsuk.co.uk



Partnr.: CR-041-DHU

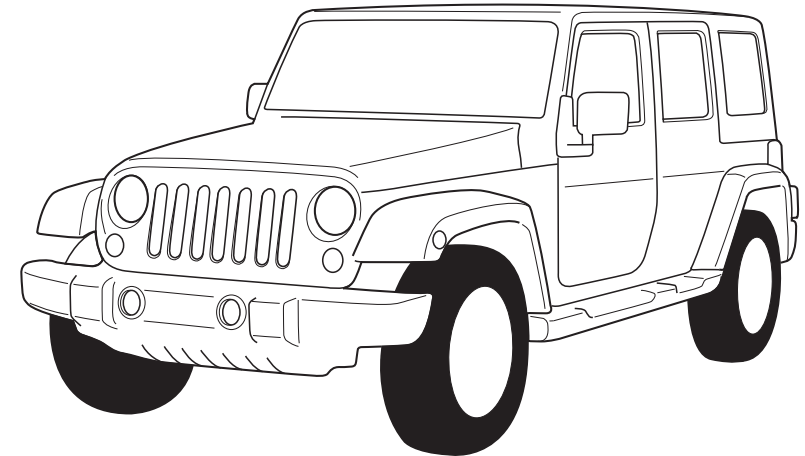
User Guide



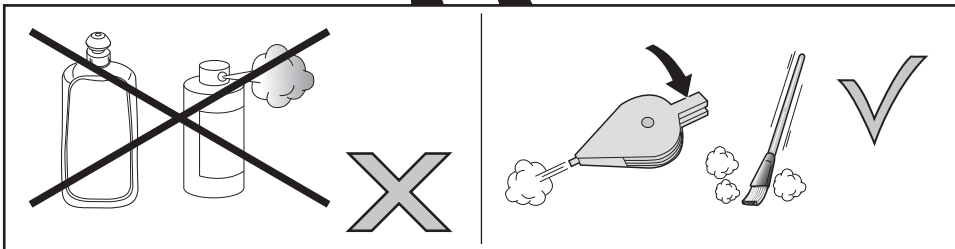
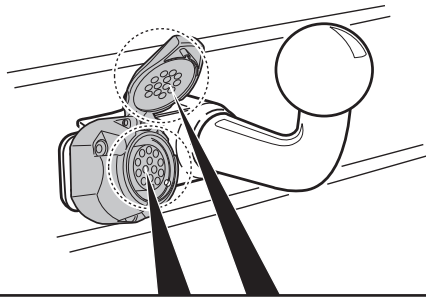
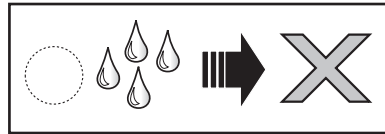
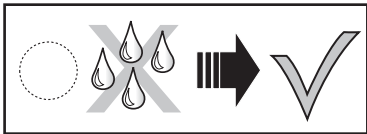
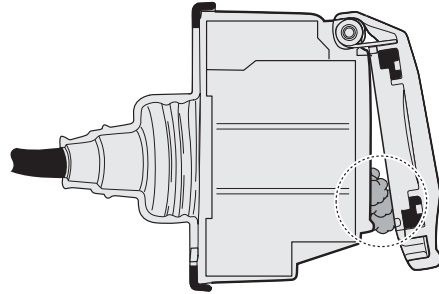
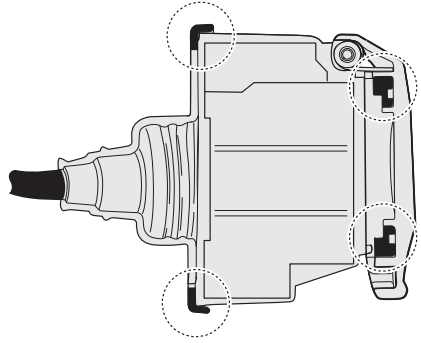
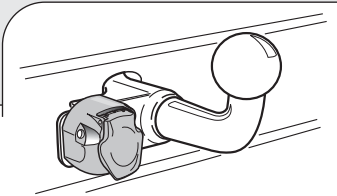
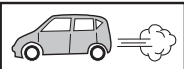
JEEP Wrangler JK (3&5 Drs.) 01/2007 >> 08/2018

JEEP Wrangler JL (3&5 Drs.) 09/2018 >>

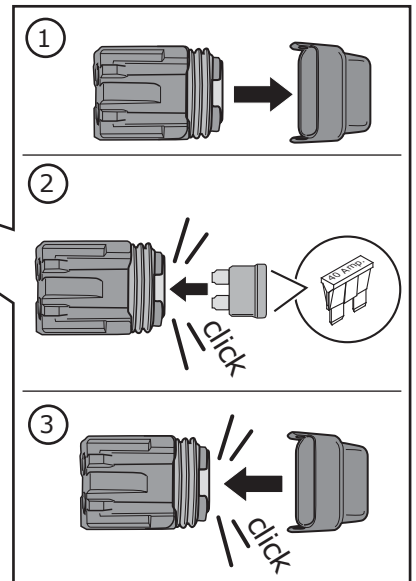
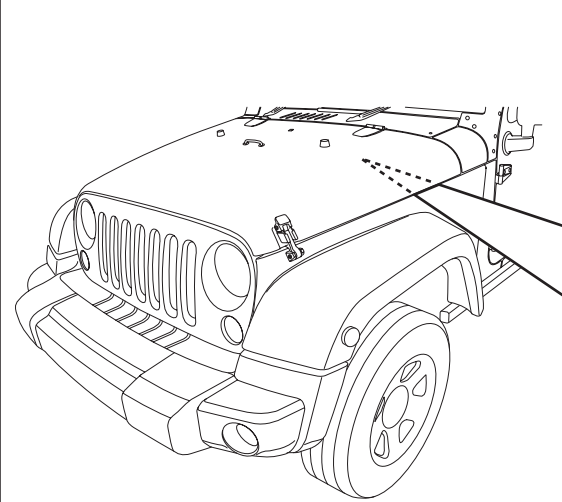
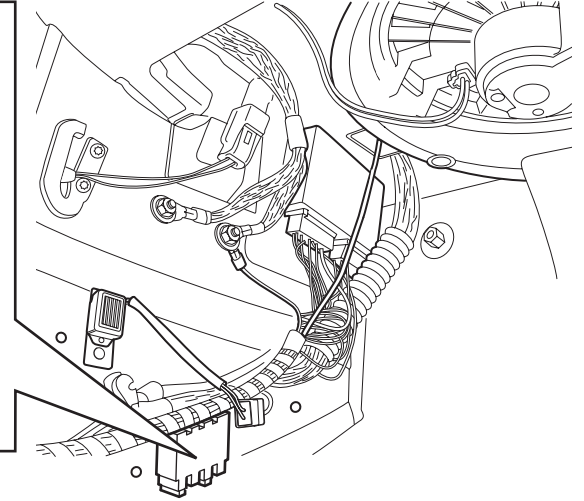
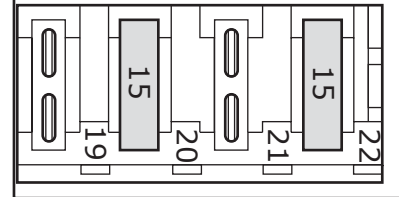
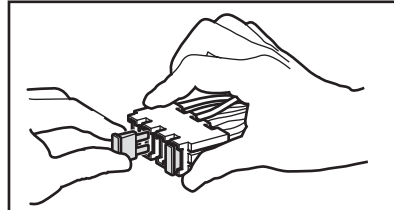
JEEP Wrangler JL 4xe PHEV 05/2021 >>



INFO



CHANGING THE FUSE



SOCKET CONNECTION

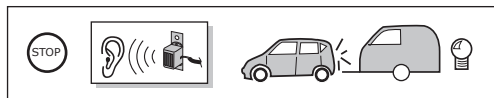
| DIN/ISO 11446 | | | | | | | | | | | | | | |
|---------------|--------|-------|------|-------|-------|-------|-----------------------------|-------|---------------|-----------------|-----------------------------|-------|--------------|-------|
| Pmax | 21W | 2x21W | | | 21W | 52W | 3x21W | 52W | 2x21W | 180W/15Amp | 180W/15Amp | | | |
| Colour | Yellow | Blue | Grey | White | Green | Brown | Red 1,00 mm ² | Black | Black/ Red | Brown/ White | Red 2,50 mm ² | White | Red/ Blue | White |



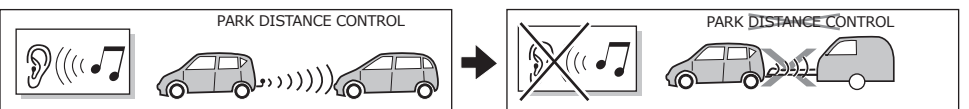
In a coupled trailer with working fog lamp, the fog lamp of the vehicle will be switched off, if applicable.



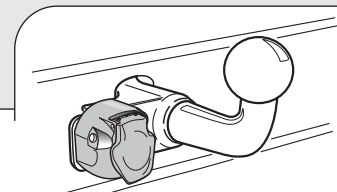
The flashing lights on the trailer are monitored. If one of the indicators of the trailer breaks down, a buzzer will be audible and/or a visual signal will be visible on the dashboard. Check the flashing lights on the trailer.



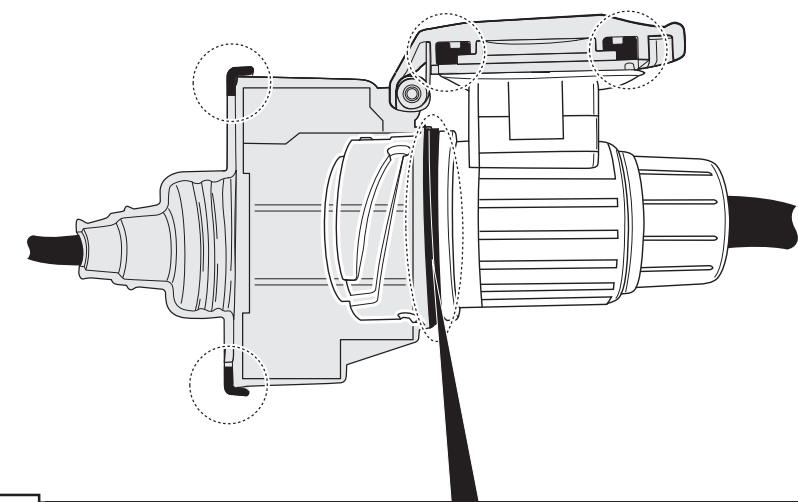
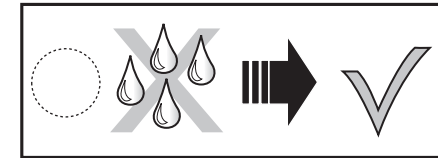
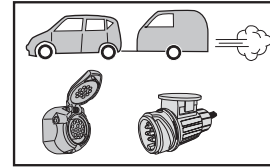
The brake lights on the trailer are monitored by the module. If all the brake lights on the trailer are defective, a buzzer is heard upon braking. Check the brake lights on the trailer.



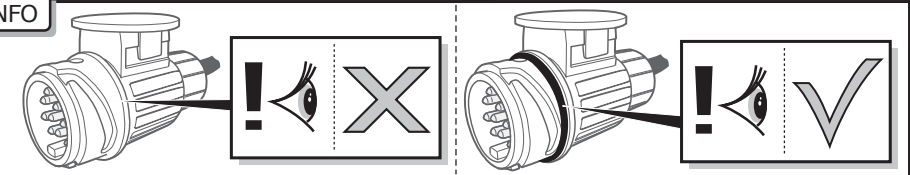
The wiring kit has a possibility to switch off any Park Distance Control in the case of a coupled trailer.



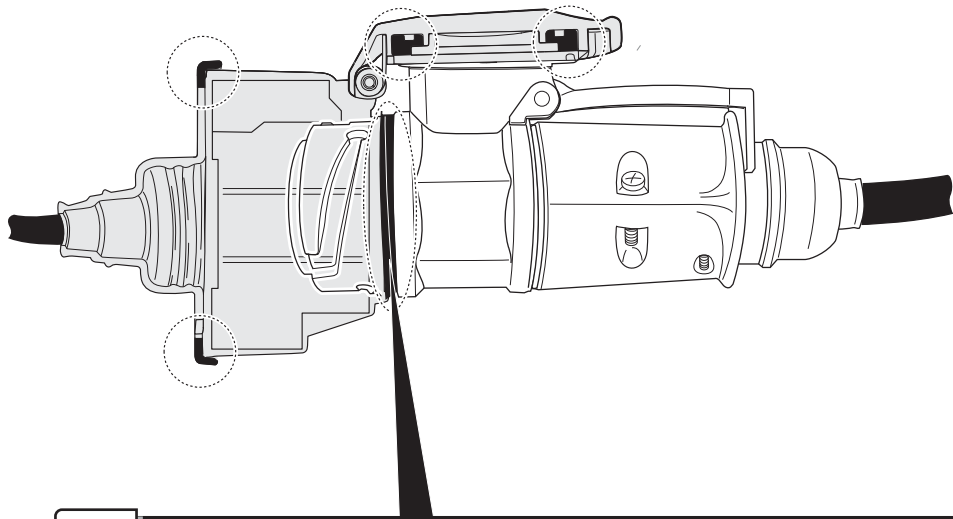
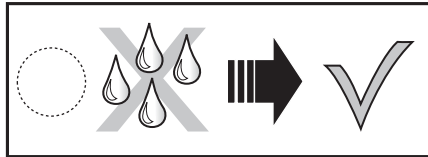
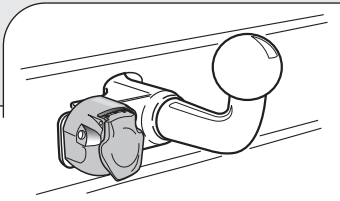
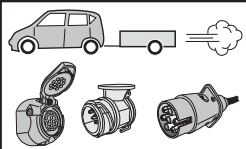
INFO : Ring.



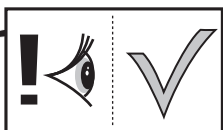
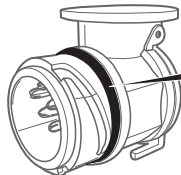
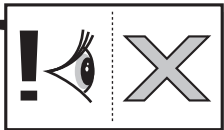
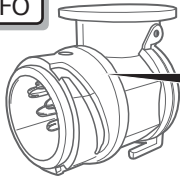
INFO



INFO : Adapt.



INFO



INFO : Storage

