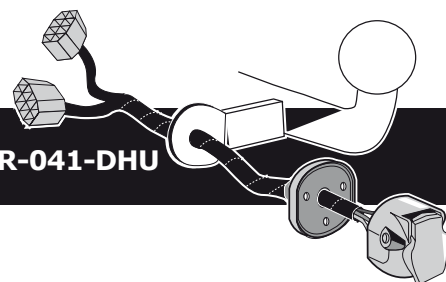


JEEP Wrangler JK (3&5 Drs.) 01/2007 >> 08/2018
JEEP Wrangler JL (3&5 Drs.) 09/2018 >>
JEEP Wrangler JL 4xe PHEV 05/2021 >>

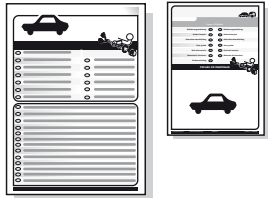
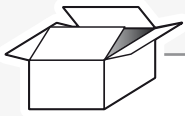
Partnr.: CR-041-DHU



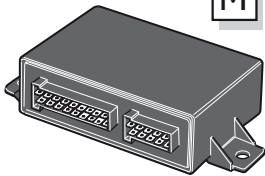
- Fitting instructions electric wiring kit tow bar with 13-P socket up to DIN/ISO Norm 11446.
- We would expressly point out that assembly not carried out properly by a competent installer will result in cancellation of any right to damage compensation, in particular those arising by virtue of the product liability act.
- Contents of these kits and their fitting manuals are subject to alteration without notice, please ensure that these instructions are read and fully understood before commencing installation.
- Do not overload circuits; the maximum loads per connection are detailed in this manual.
- Attention! Before Installation, please read this manual carefully and inform your customer to consult the vehicle owners manual to check for any vehicle modifications required before towing.
- In the event of functional problems, troubleshooting must be limited to about 0.5 hours, contact the technical support:
ukts@ecs-electronics.com / 07440 202 052.



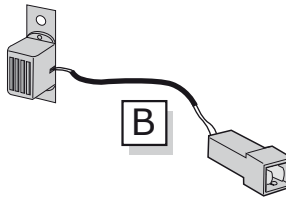
Part list



M



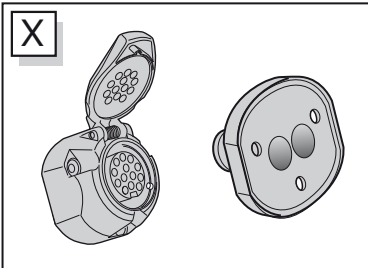
B



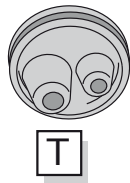
U3



U4

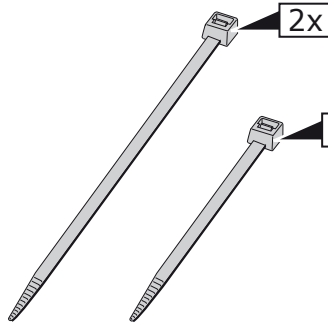


X



T

2x



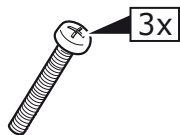
15x

Option! W

PARK DISTANCE CONTROL

PARK DISTANCE CONTROL

Pag. 14



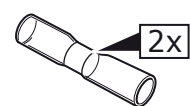
3x



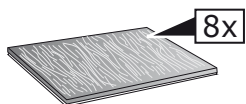
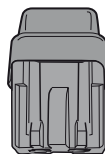
3x



3x



2x



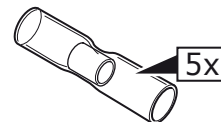
8x



2x

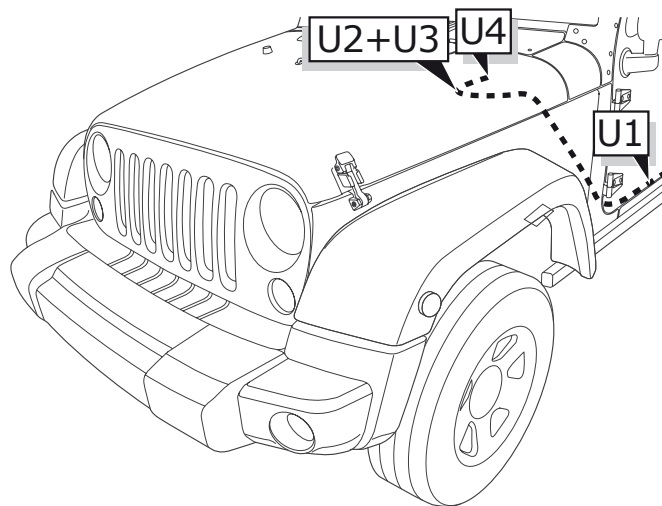
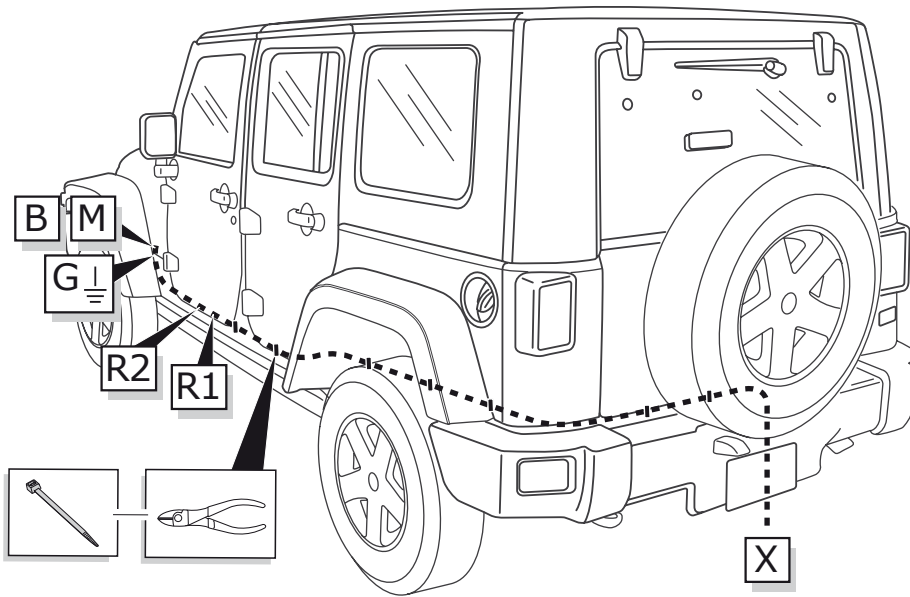


1x

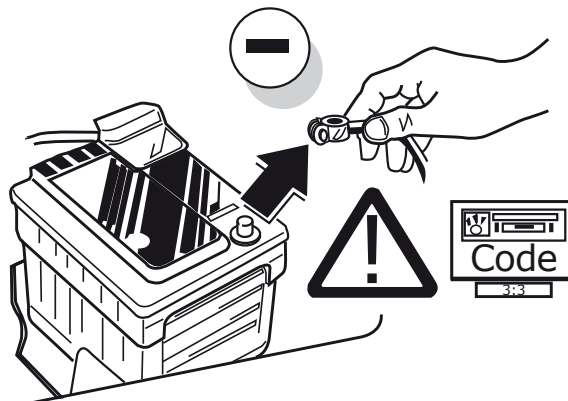


5x

ROUTING

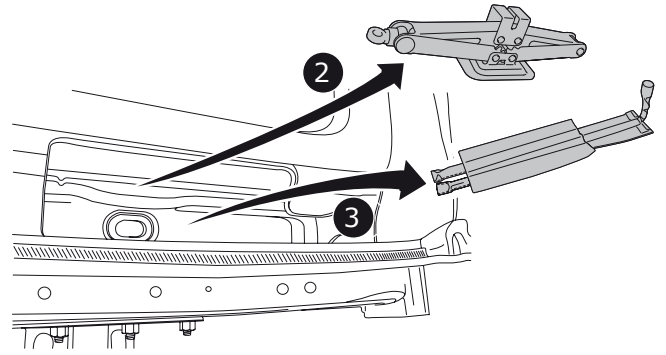
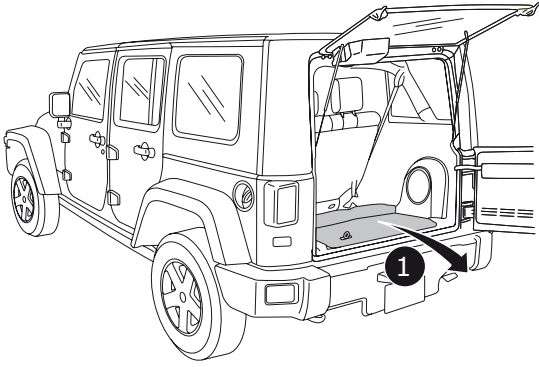


1



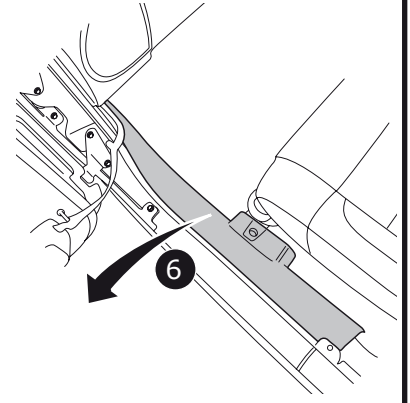
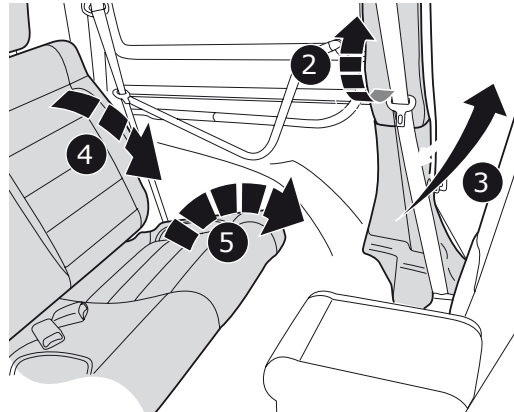
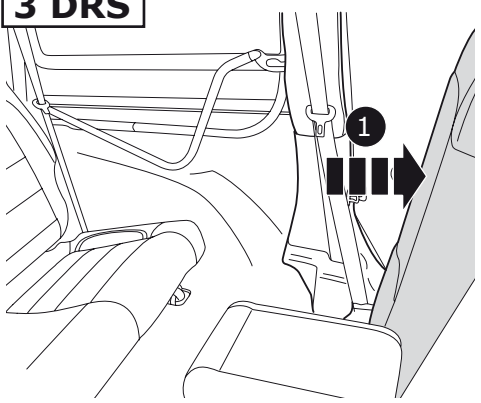
2

3&5 DRS



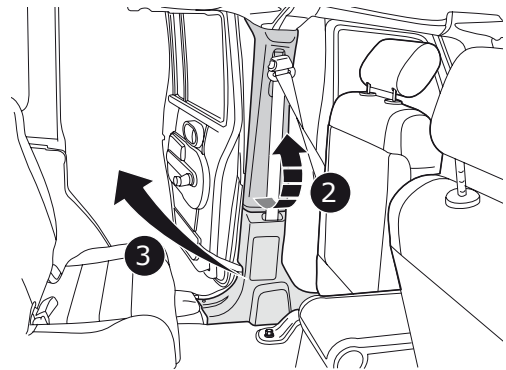
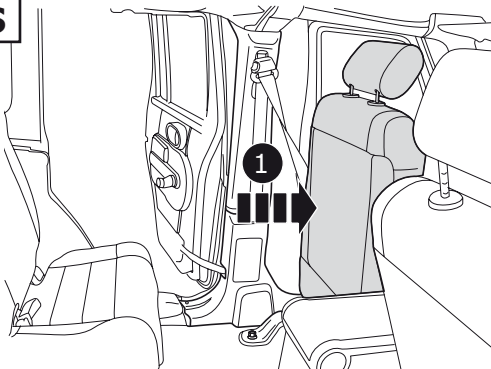
3

3 DRS



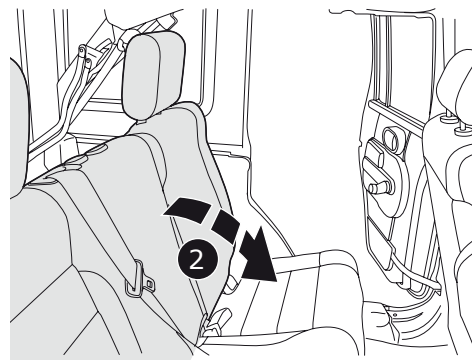
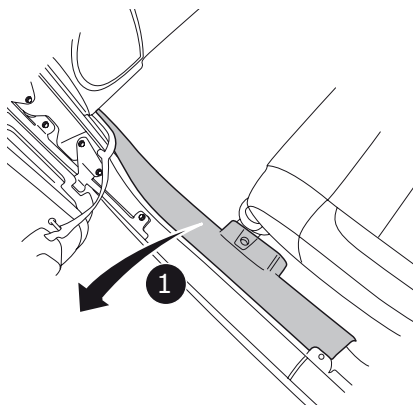
4

5 DRS



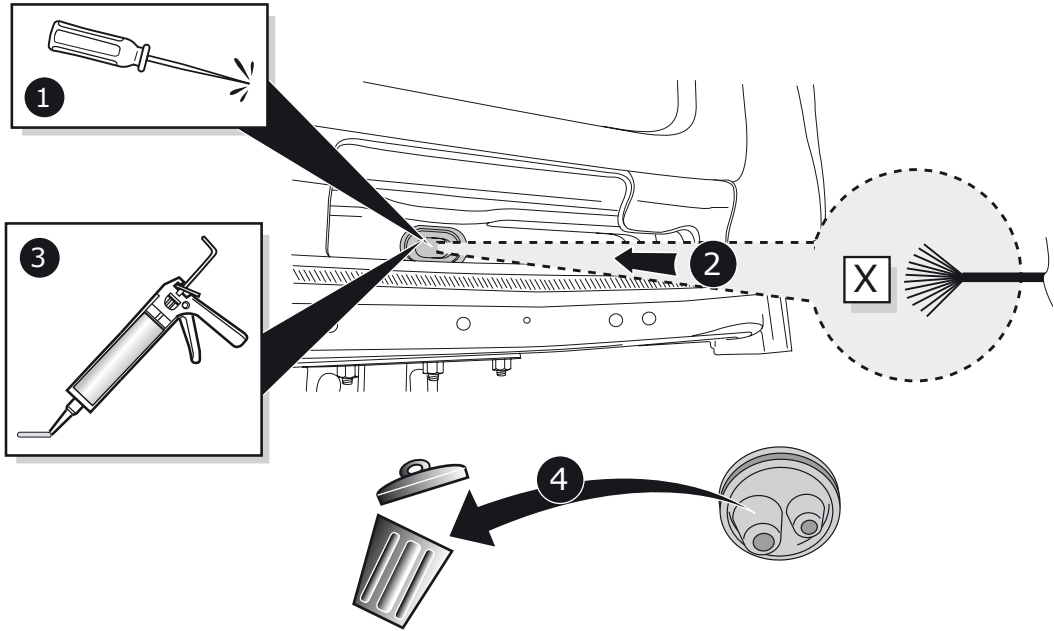
5

5 DRS



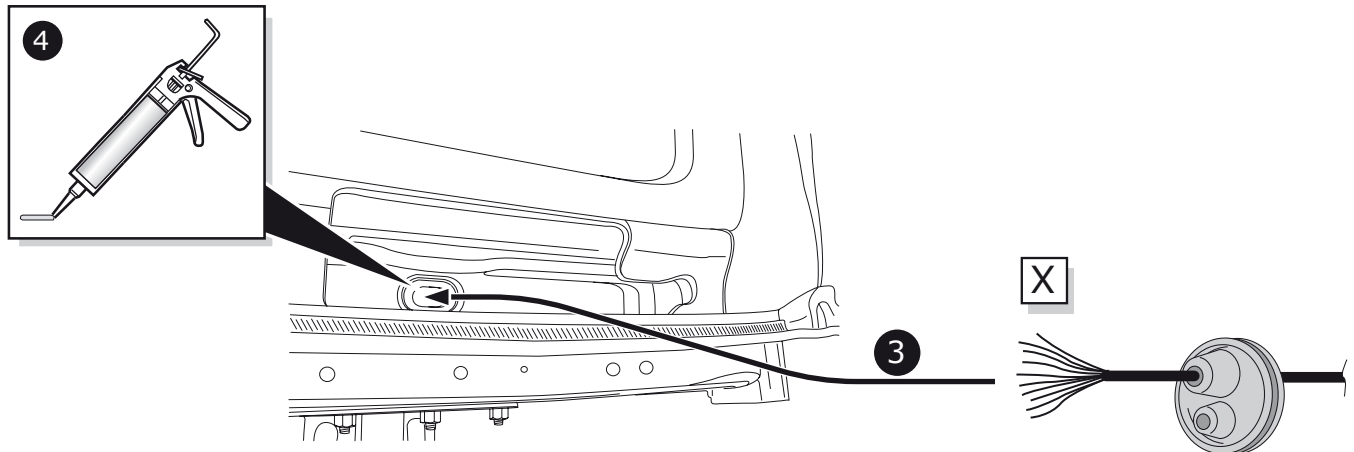
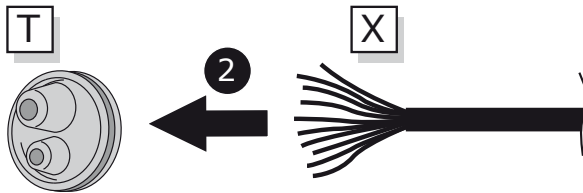
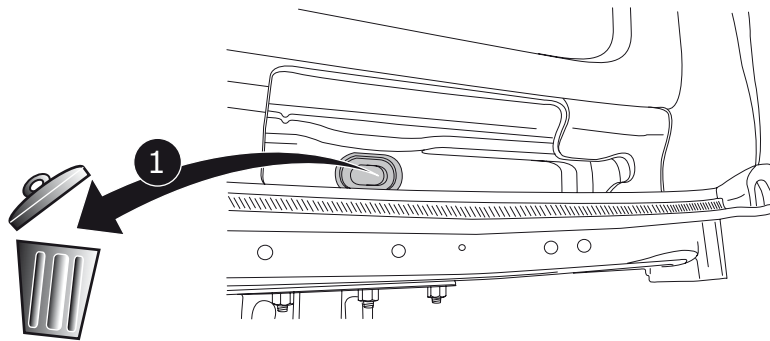
6

OPTION 1:

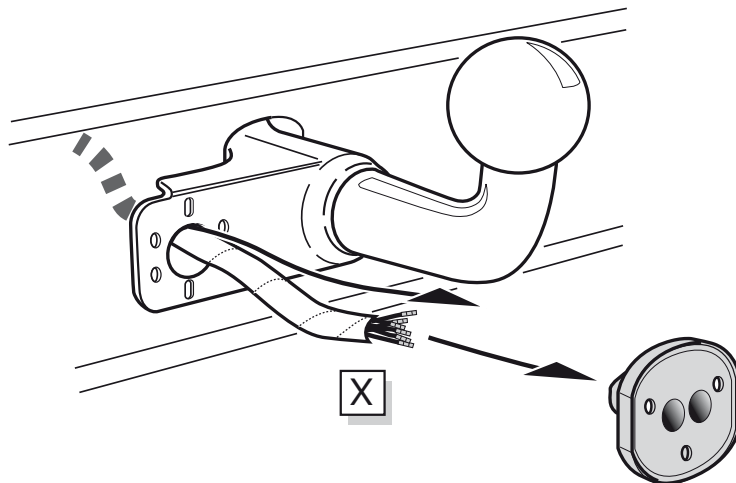


7

OPTION 2:



A

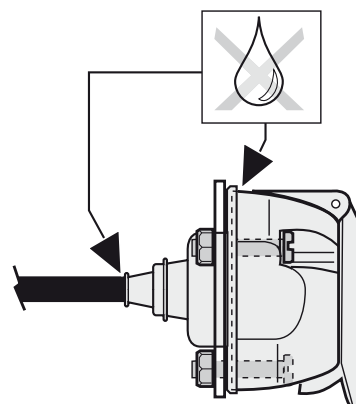
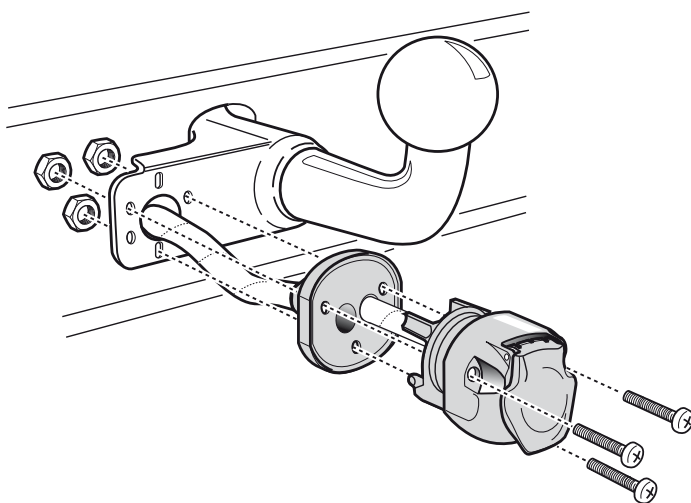


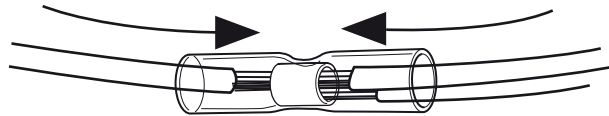
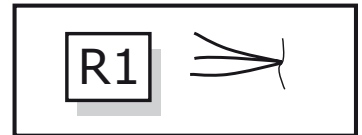
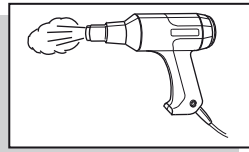
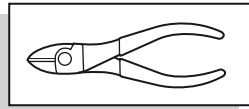
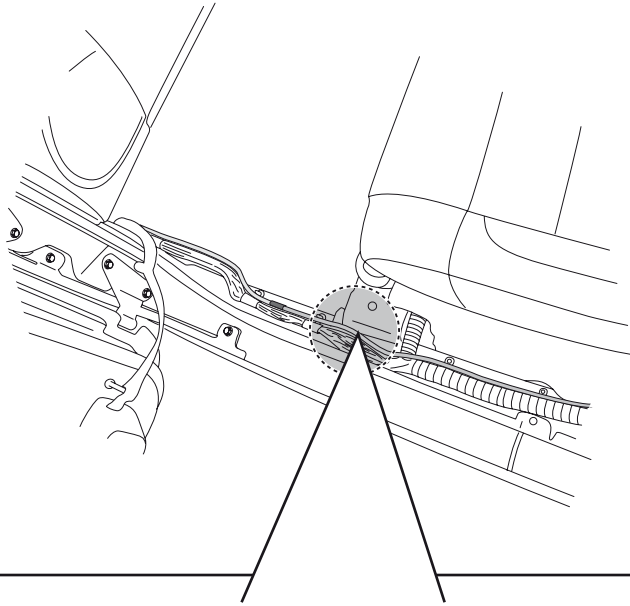
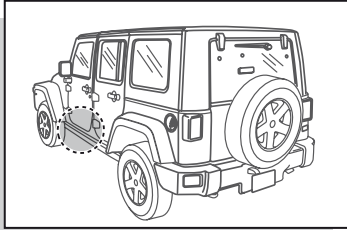
INFO

SOCKET CONNECTION 

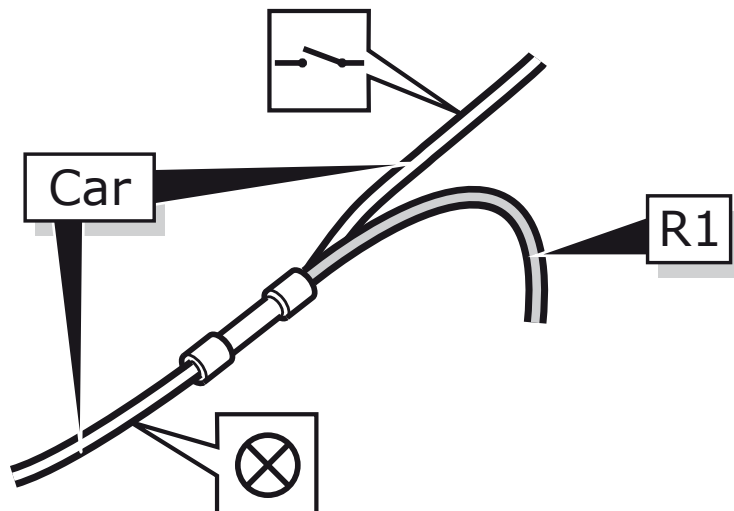
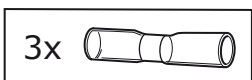
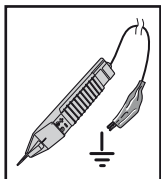
Pag. 15

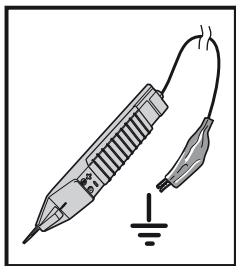
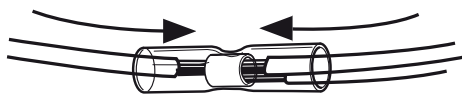
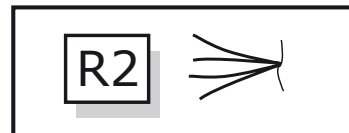
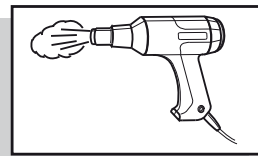
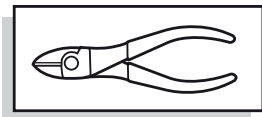
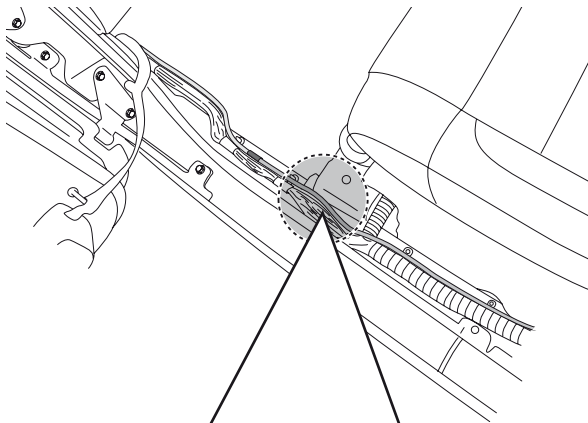
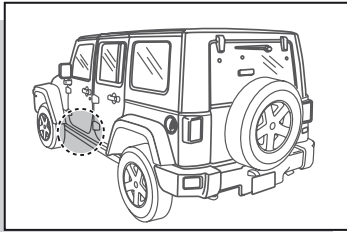
B



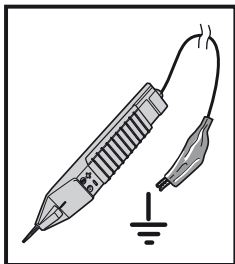
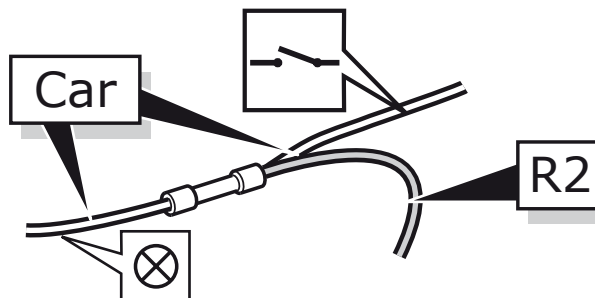
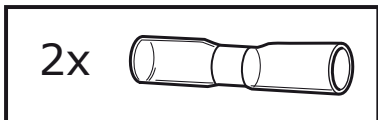


| R1 | | Wrangler JK 01/2007 >> 08/2018 | Wrangler JL 09/2018 >> | Wrangler JL 4xe PHEV 05/2021 >> |
|--------------|----|-----------------------------------|--|--|
| Blue/Red | 54 | Green/White | White | White |
| Black/Yellow | L | White/Green | White/Green more than 1 WH/GN! | White/Green more than 1 WH/GN! |
| Purple/Black | 58 | White/Orange | White/Red | White/Grey |

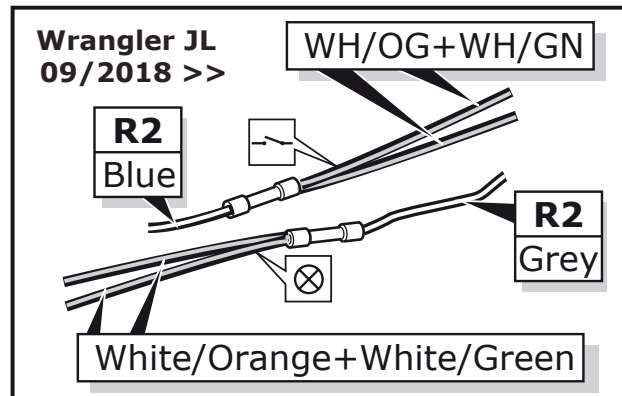
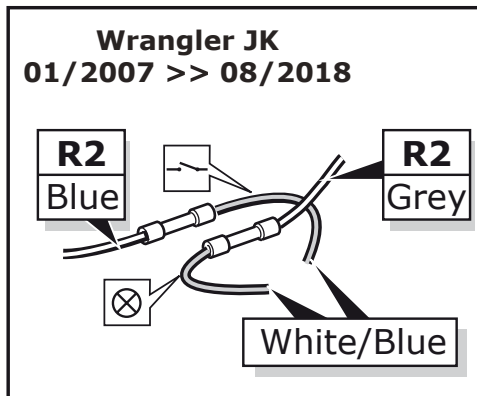
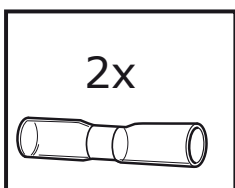




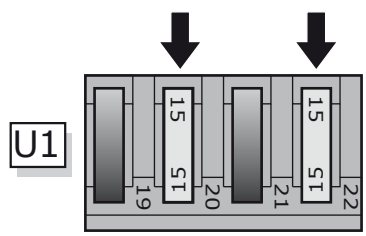
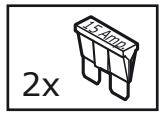
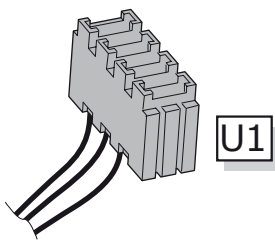
| R2 | | Wrangler JK 01/2007 >> 08/2018 | Wrangler JL 09/2018 >> |
|-------------|---------|-----------------------------------|---------------------------|
| Green/Red | Reverse | White/Grey | White/Violet |
| Black/Green | R | Brown/Red | White/Yellow |



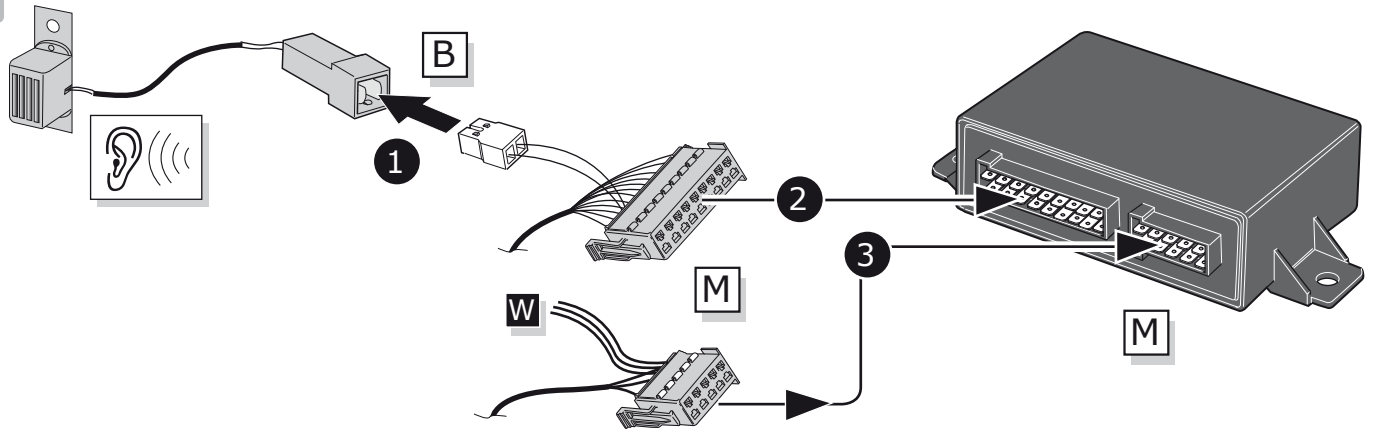
| R2 | | Wrangler JK 01/2007 >> 08/2018 | Wrangler JL 09/2018 >> |
|------|--|-----------------------------------|---|
| Blue | | White/Blue | White/Orange + White/Green more than 1 WH/GN! |
| Grey | | White/Blue | White/Orange + White/Green more than 1 WH/GN! |



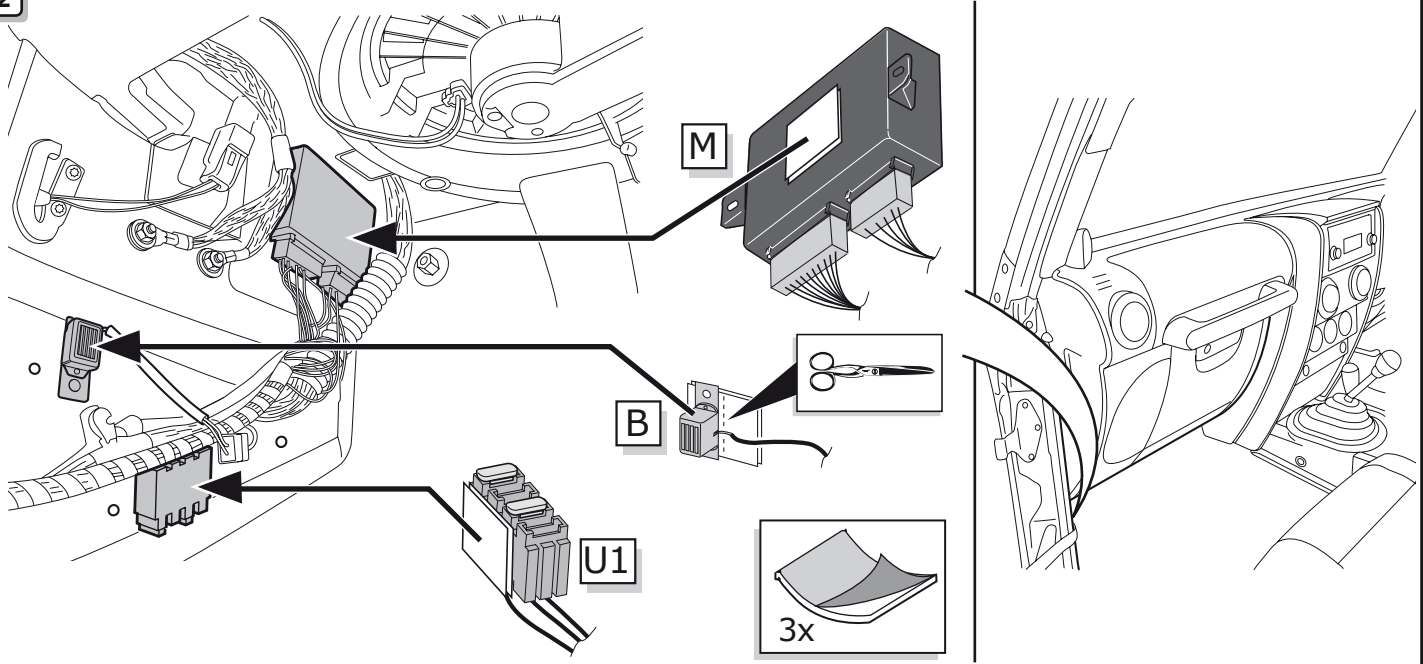
10



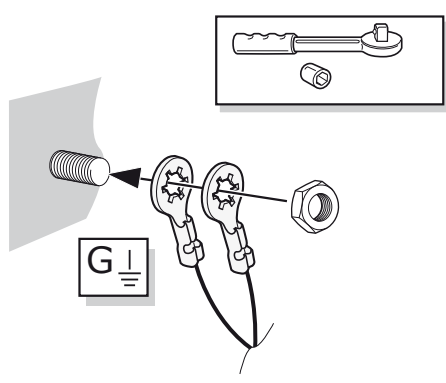
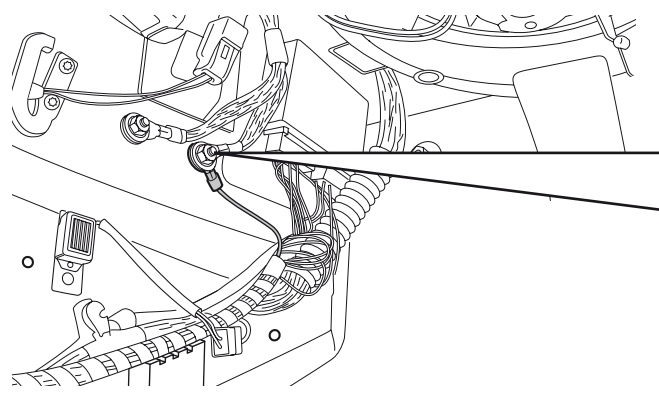
11



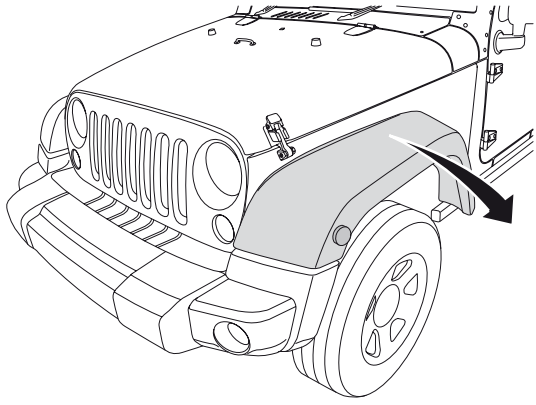
12



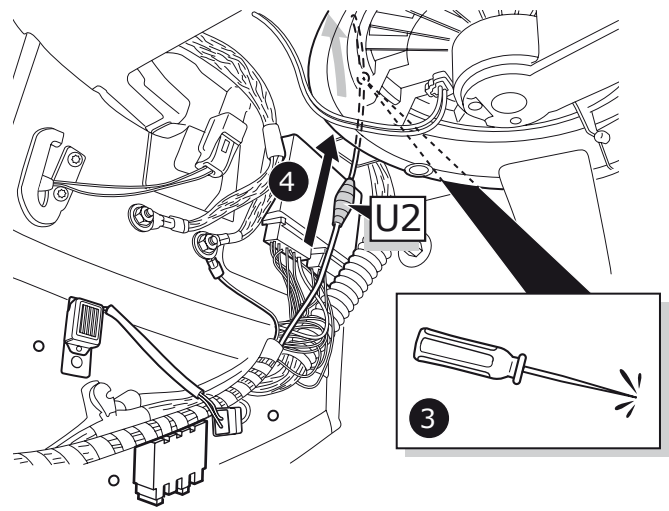
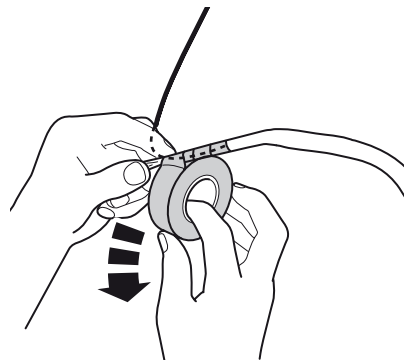
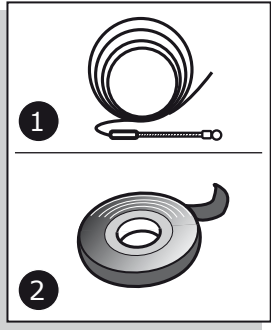
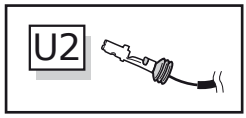
13



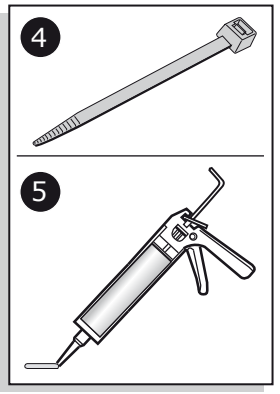
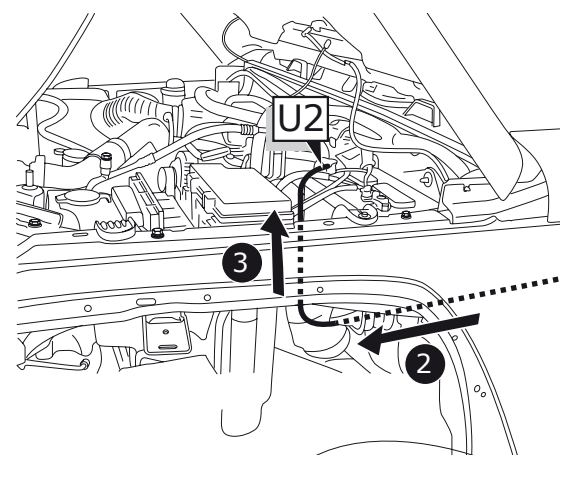
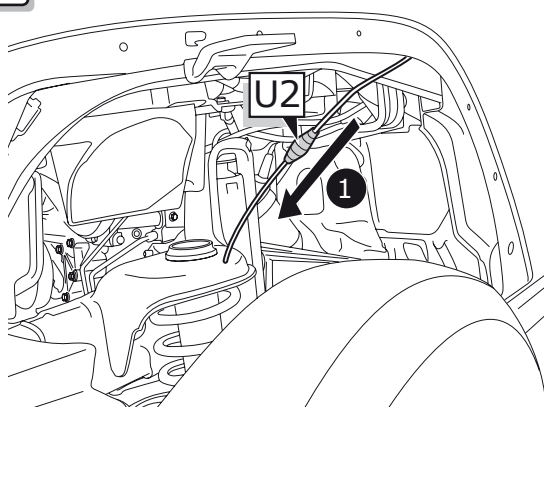
14



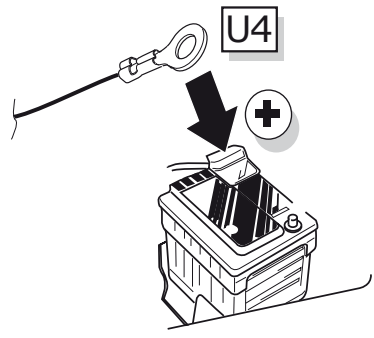
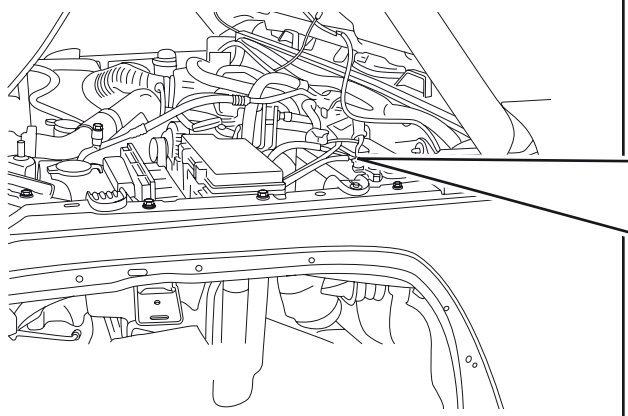
15



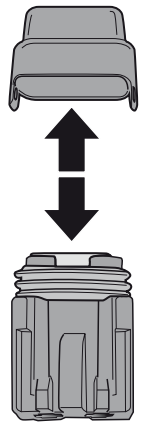
16



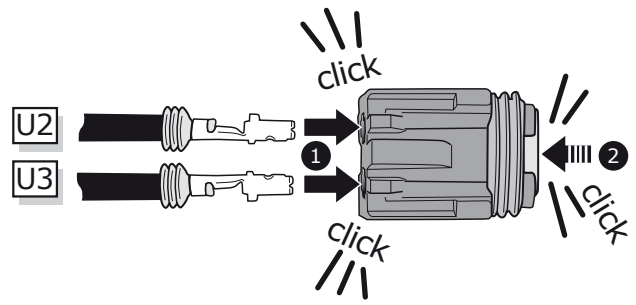
17



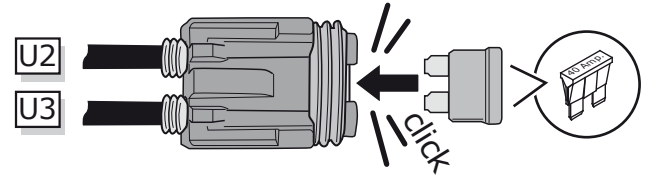
18



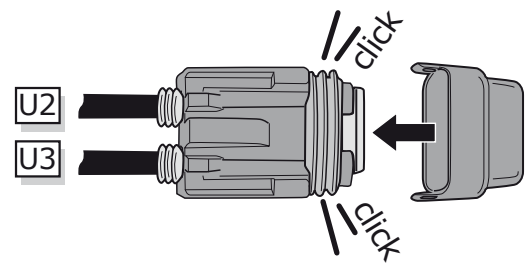
①



②

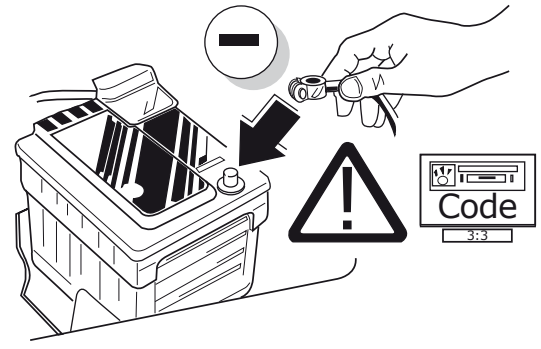


③



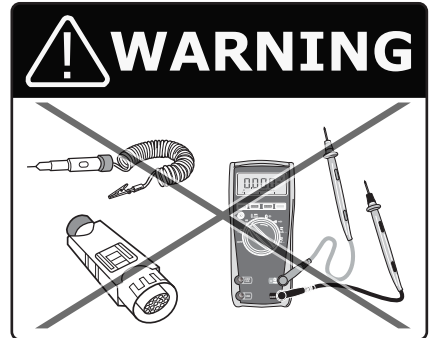
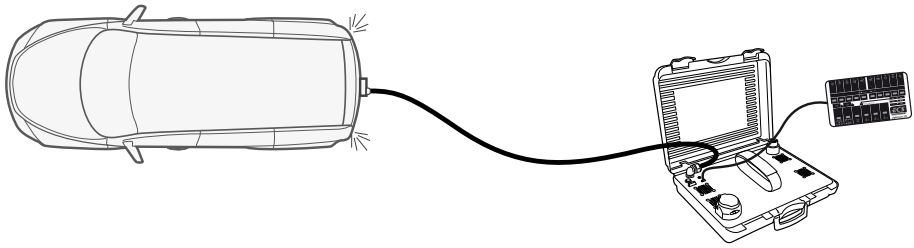
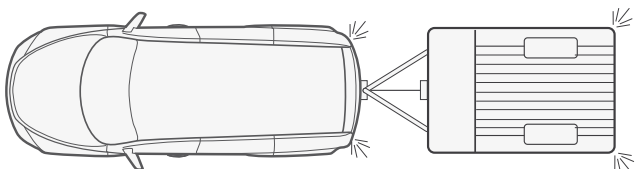
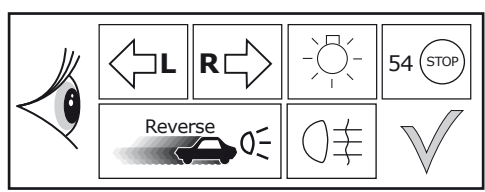
④

19



20

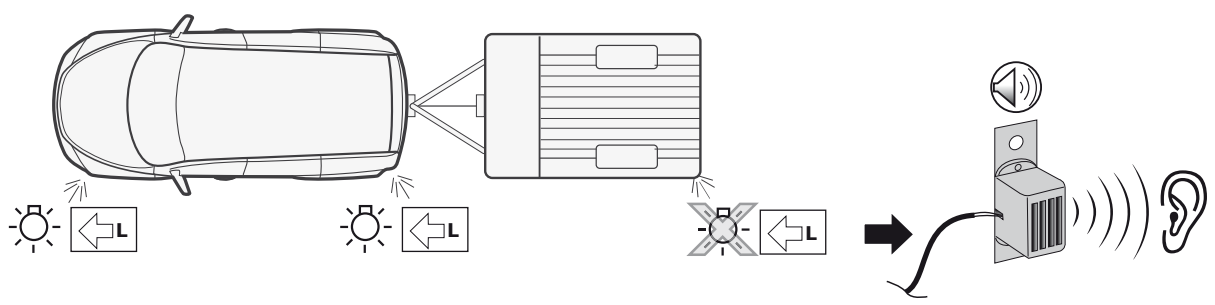
Functional test



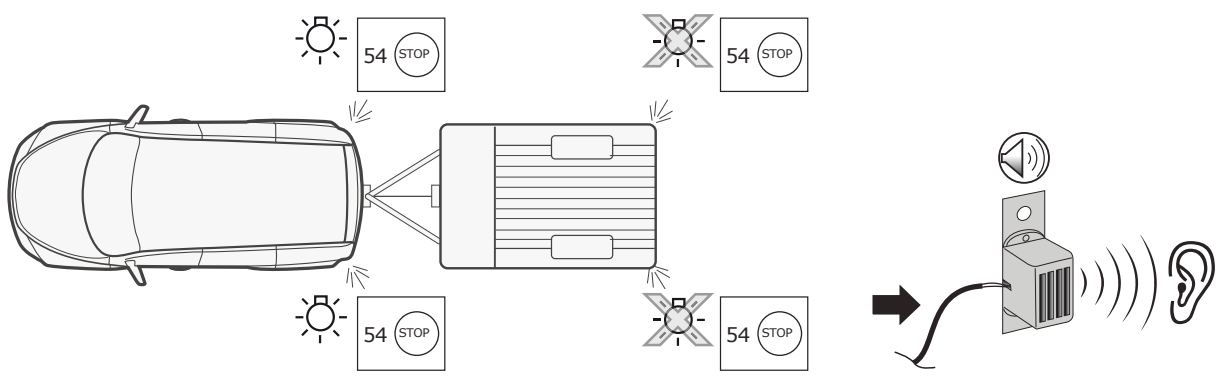
LIGHT MATE®

ECS part no.
LIGHTMATE II
LIGHTMATE III

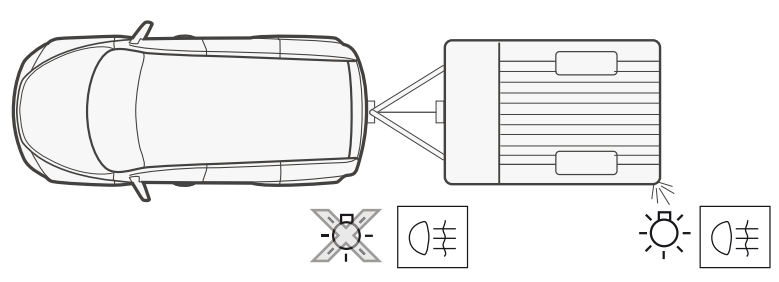
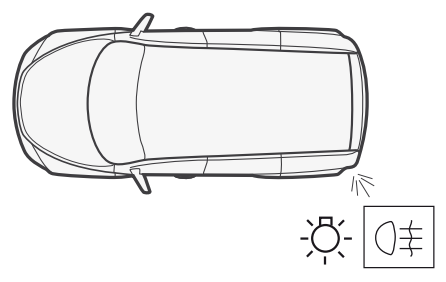
21



22



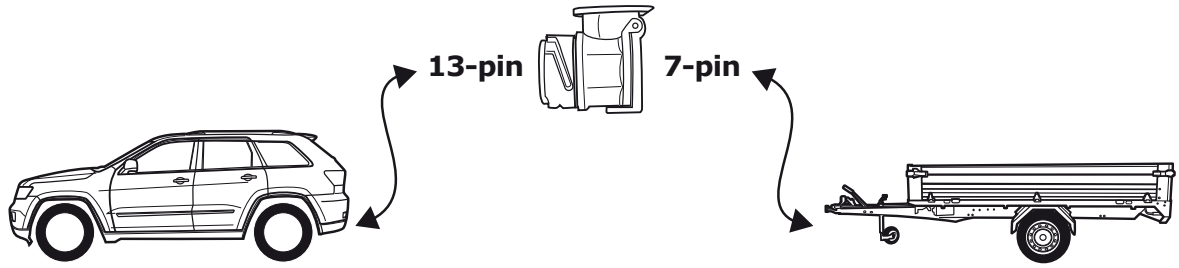
23



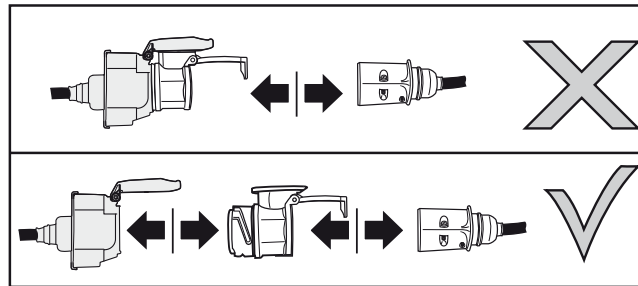
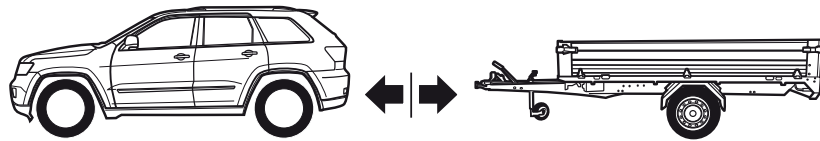
24

Optional

Adapter socket



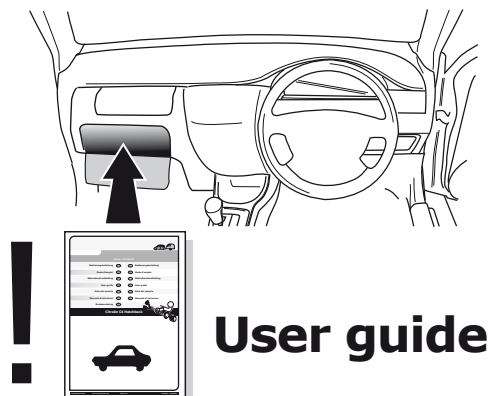
25



26

REINSTALL TRIM.

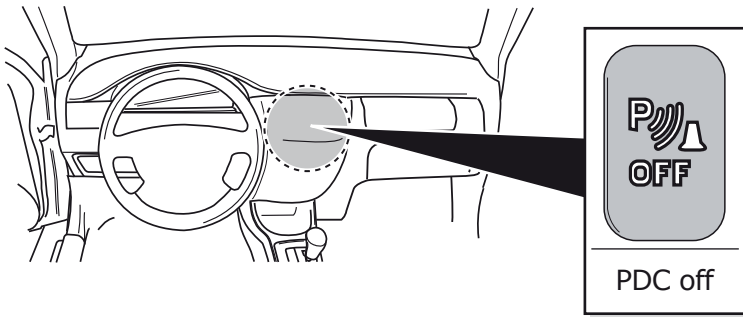
27



User guide



Option 1



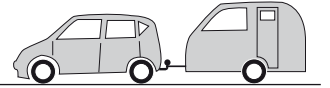
Option 2



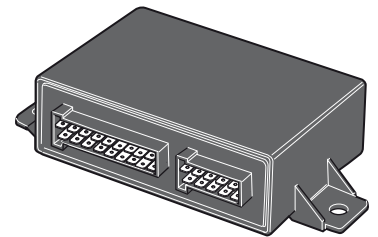
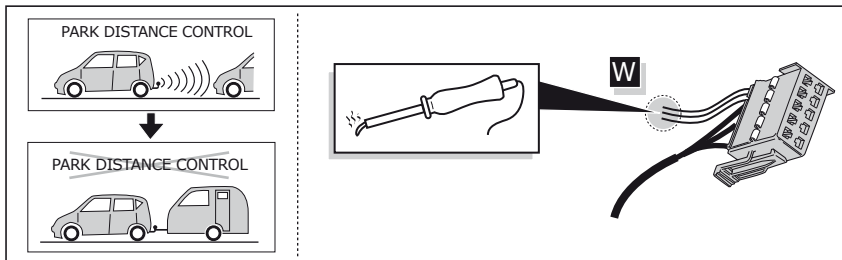
PARK DISTANCE CONTROL



PARK DISTANCE CONTROL

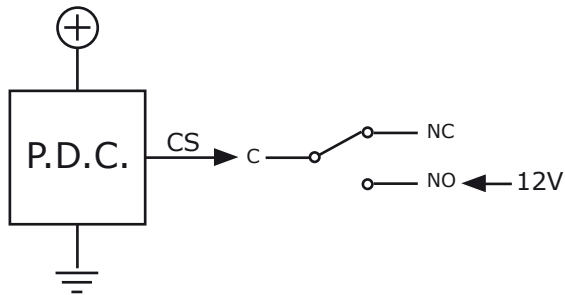


Option 2

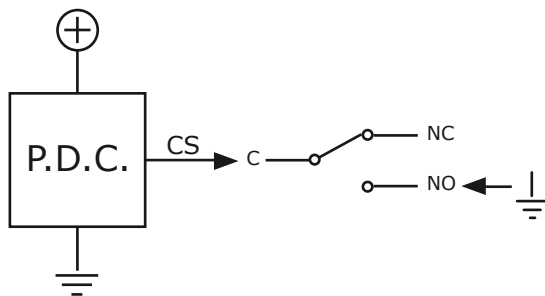


Option 2

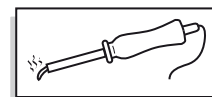
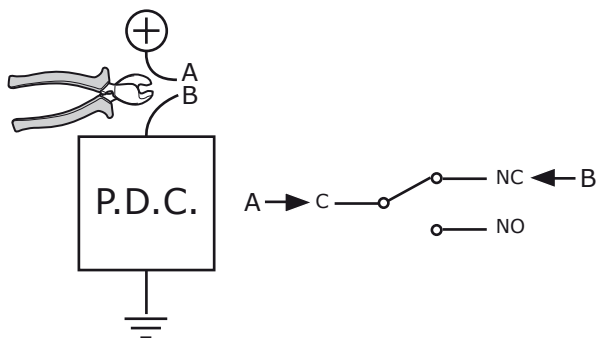
Option A



Option B



Option C

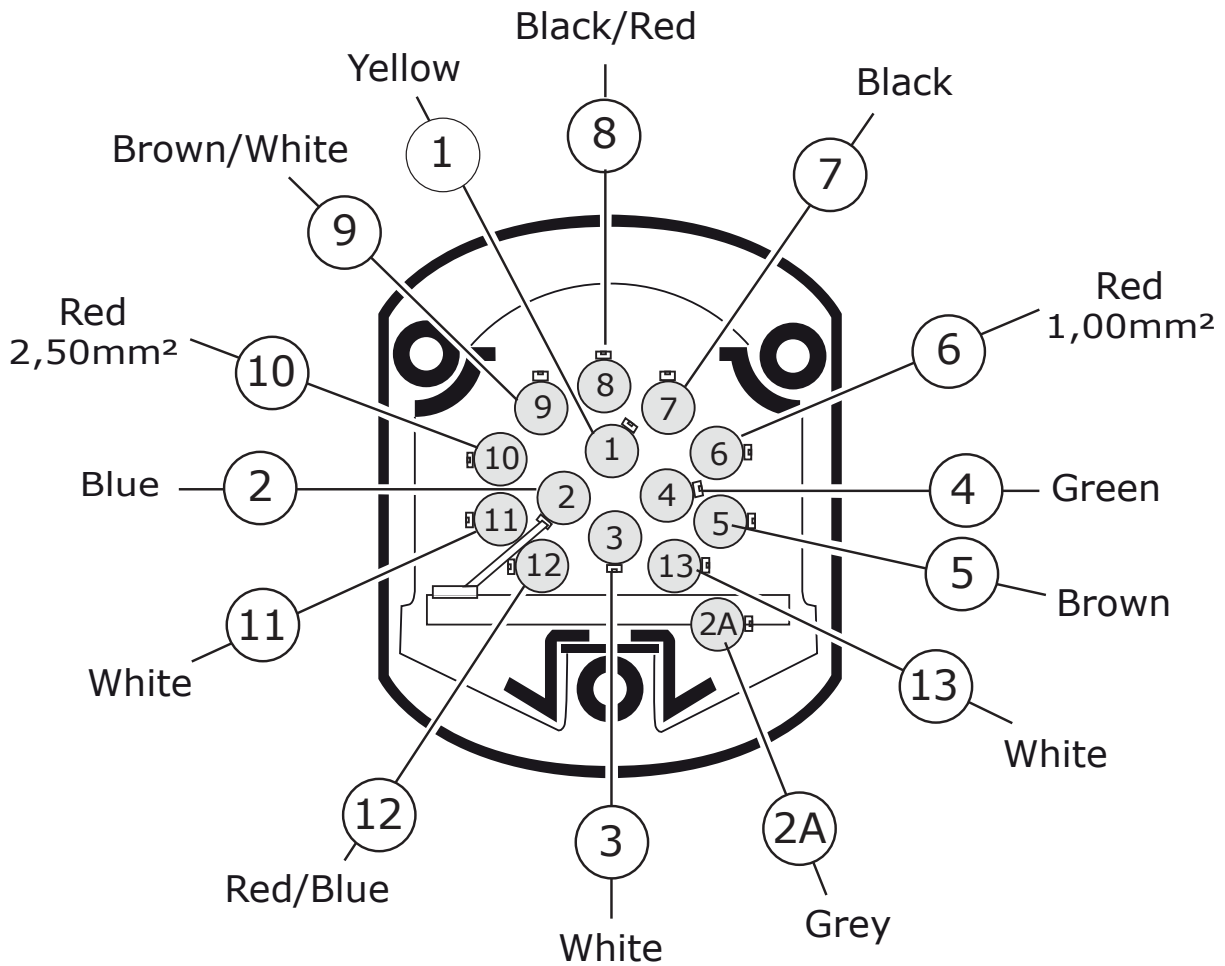
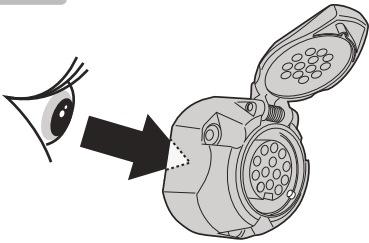


9 = C
Red/Black

7 = NC
Blue/Black

5 = NO
Blue/White

INFO



INFO

SOCKET CONNECTION

| DIN/ISO 11446 | | | | | | | | | | | | | | |
|---------------|--------|-------|------|-------|-------|--------|-----------------------------|--------|---------------|-----------------|-----------------------------|-------|--------------|-------|
| | 1/L | 2 | 2a | 3/31 | 4/R | 5/58-R | 6/54 | 7/58-L | 8 | 9 | 10 | 11 | 12 | 13 |
| Pmax | 21W | 2x21W | | | 21W | 52W | 3x21W | 52W | 2x21W | 180W/15Amp | 180W/15Amp | | | |
| Colour | Yellow | Blue | Grey | White | Green | Brown | Red 1,00 mm ² | Black | Black/ Red | Brown/ White | Red 2,50 mm ² | White | Red/ Blue | White |