

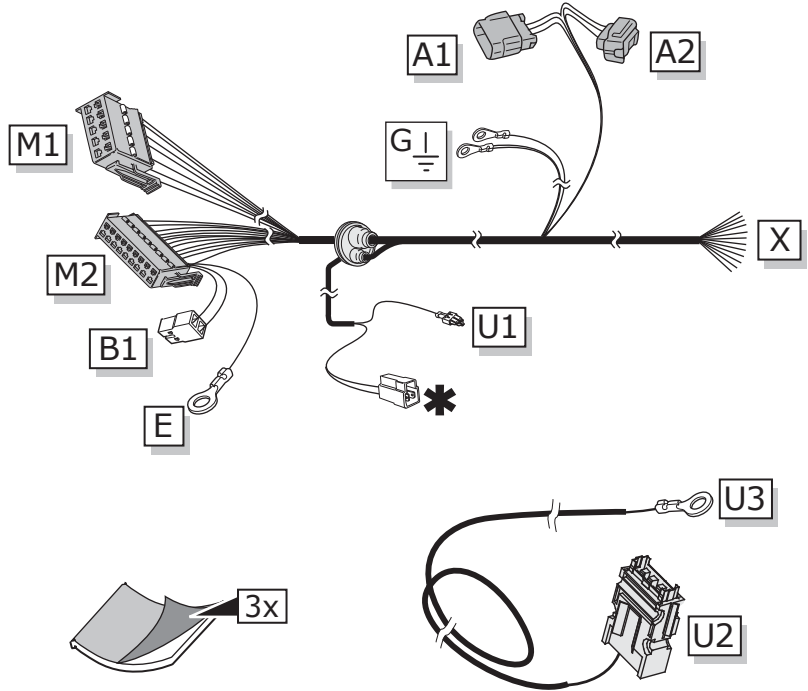
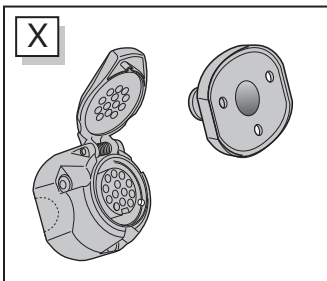
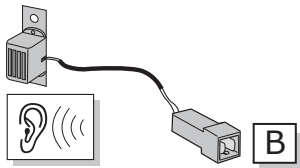
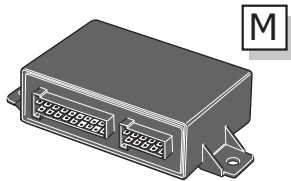
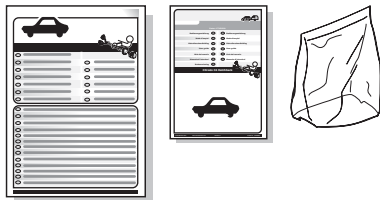
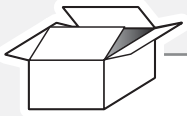
Fiat Ducato Chassis & Pick up 06/2006 >>
Citroen Jumper III Chassis & Pick up 06/2006 >>
Peugeot Boxer Chassis & Pick up 06/2006 >>

Partnr.: FI-023-DLU

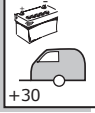
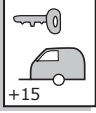
- Fitting instructions electric wiring kit tow bar with 13-P socket up to DIN/ISO Norm 11446.
- We would expressly point out that assembly not carried out properly by a competent installer will result in cancellation of any right to damage compensation, in particular those arising by virtue of the product liability act.
- Contents of these kits and their fitting manuals are subject to alteration without notice, please ensure that these instructions are read and fully understood before commencing installation.
- Do not overload circuits; the maximum loads per connection are detailed in this manual.
- Attention! Before Installation, please read this manual carefully and inform your customer to consult the vehicle owners manual to check for any vehicle modifications required before towing.
- In the event of functional problems, troubleshooting must be limited to about 0.5 hours, contact the technical support:
ukts@ecs-electronics.com / 07440 202 052.

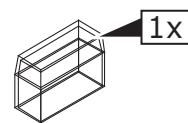
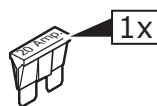
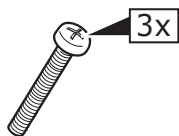


Part list

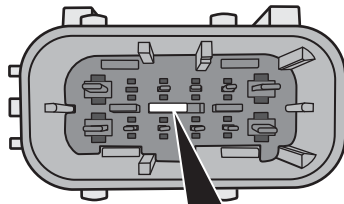


*** OPTION +30/+15**
preparation for

 +30	 +15
Brown/White	Red



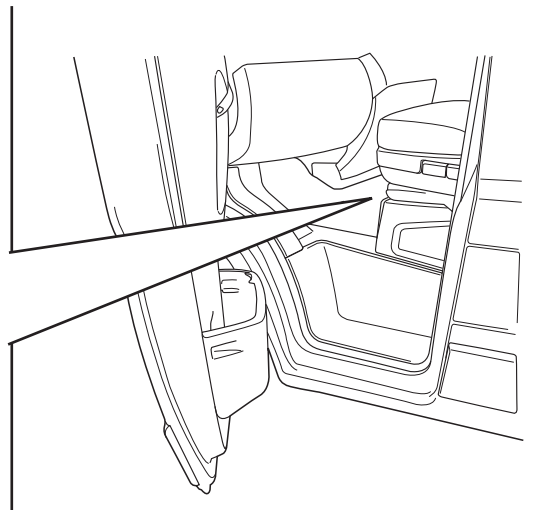
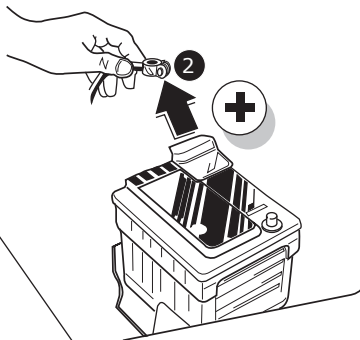
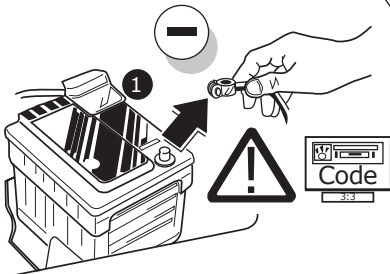
1



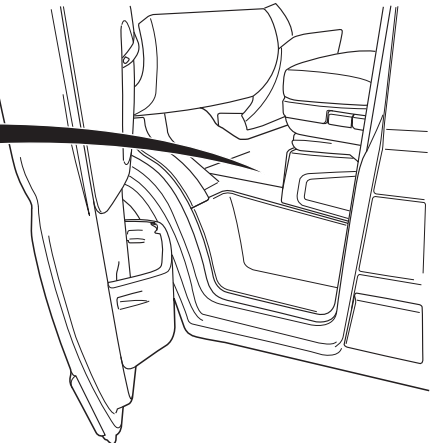
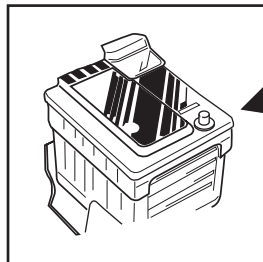
A1



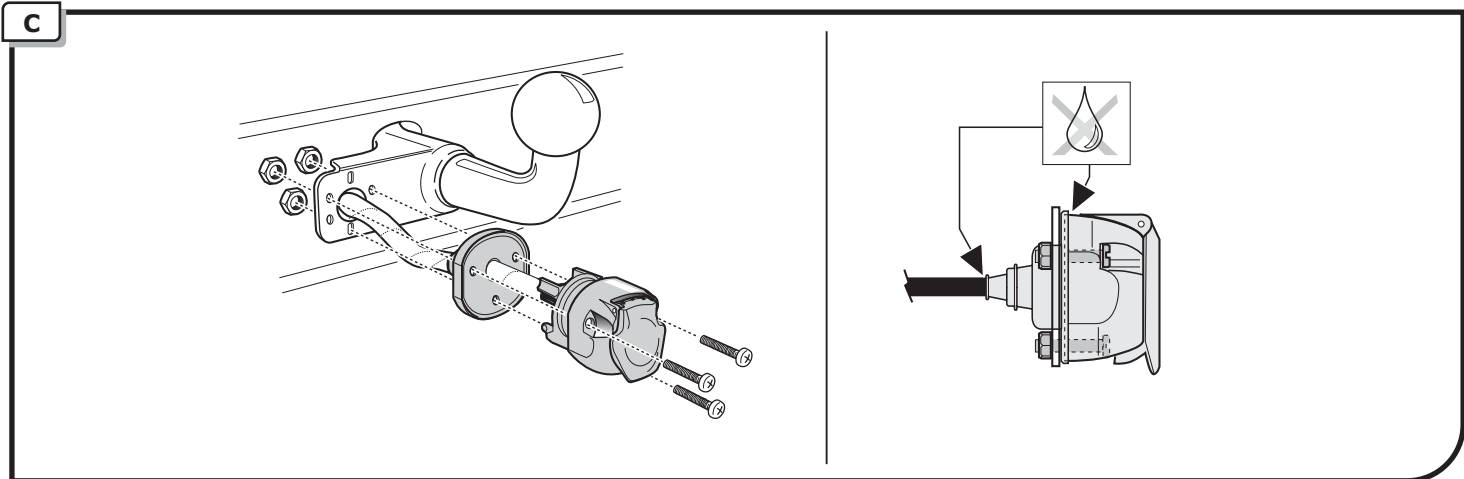
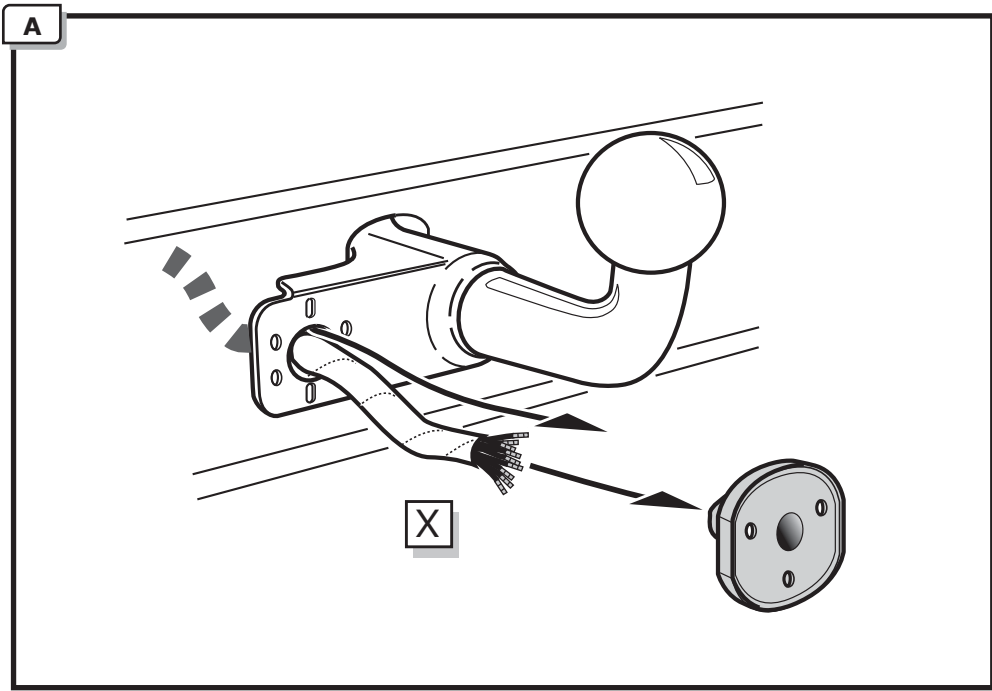
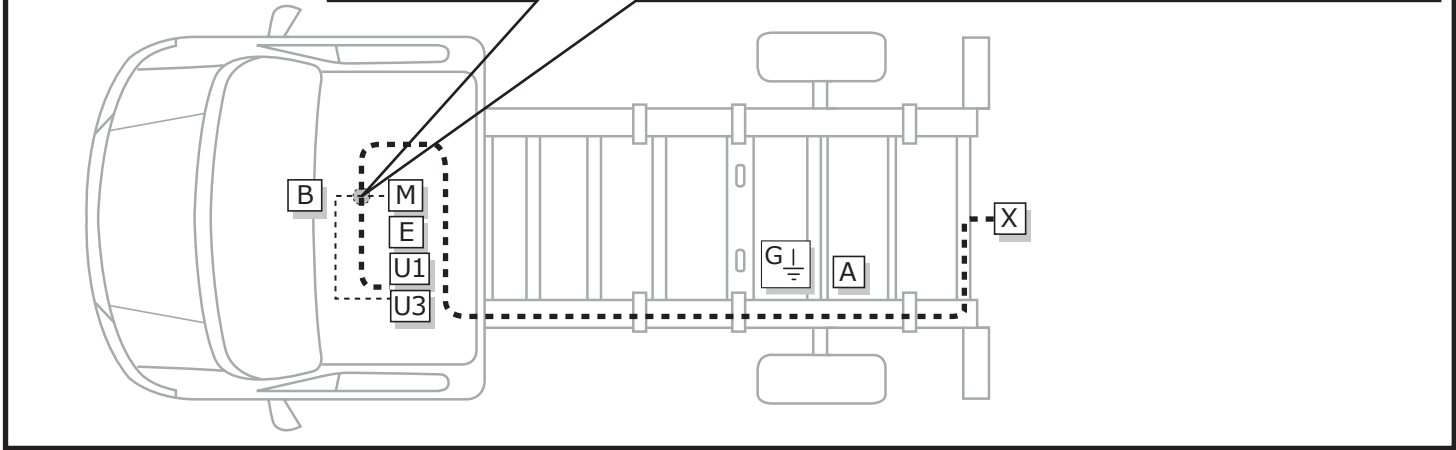
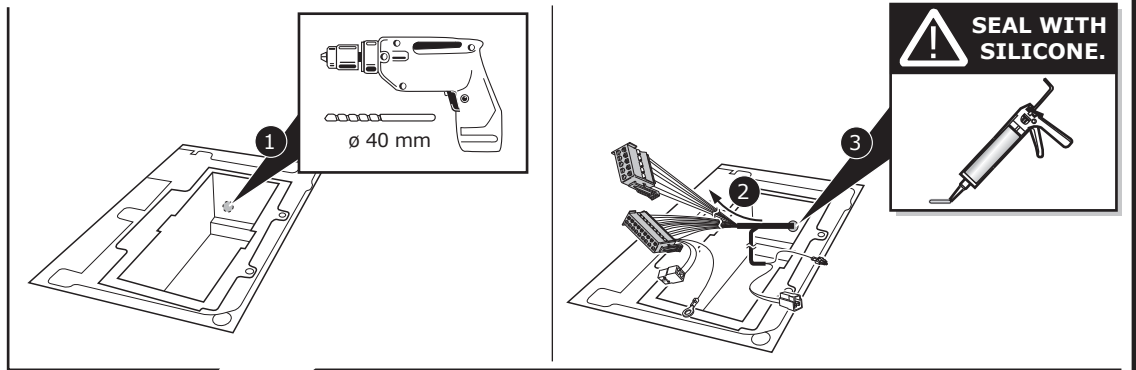
2



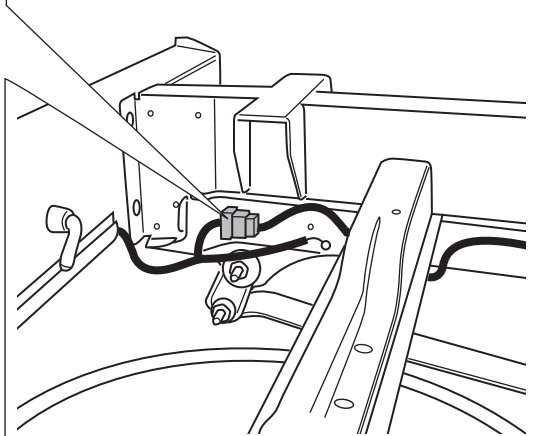
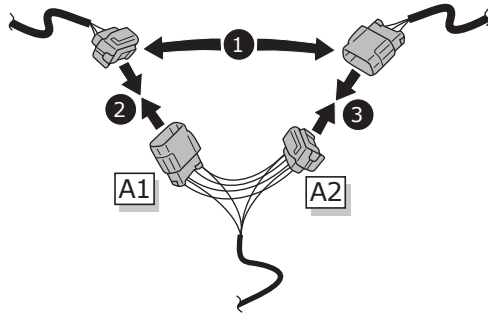
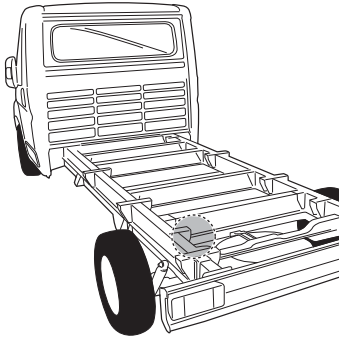
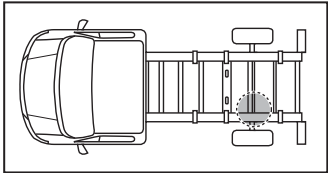
3



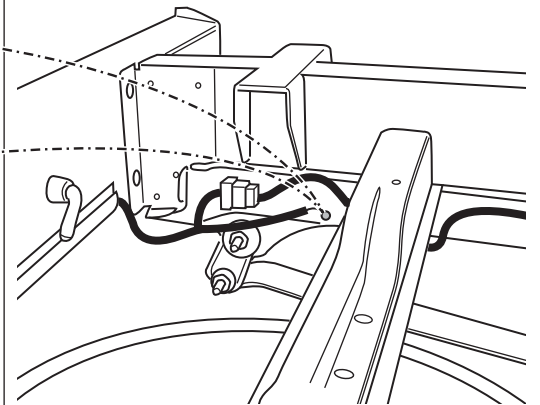
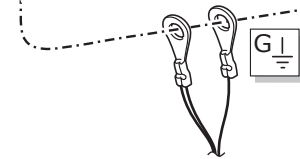
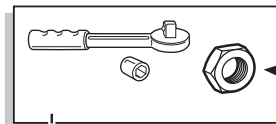
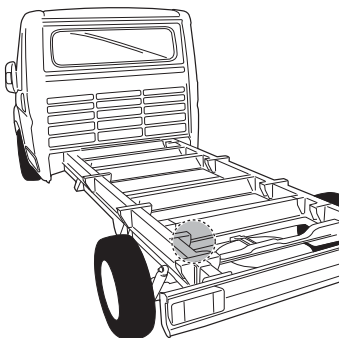
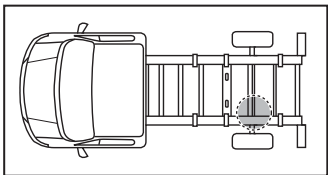
ROUTING



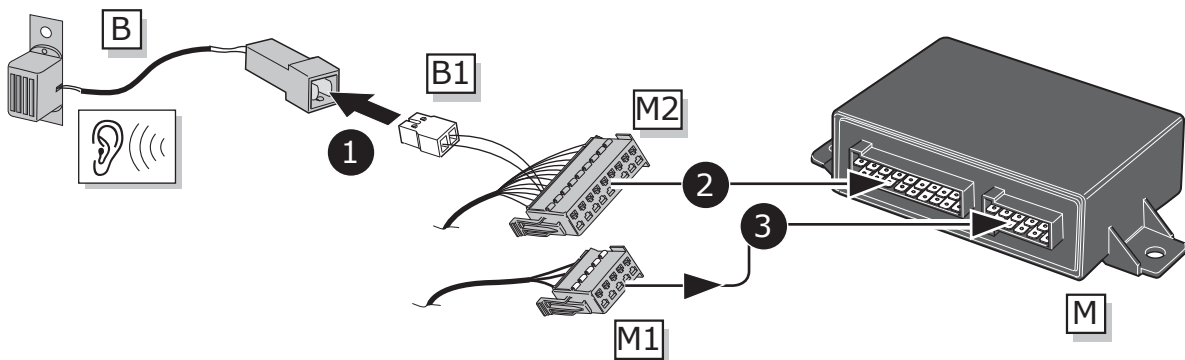
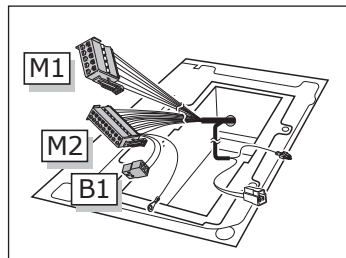
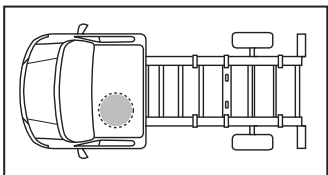
4



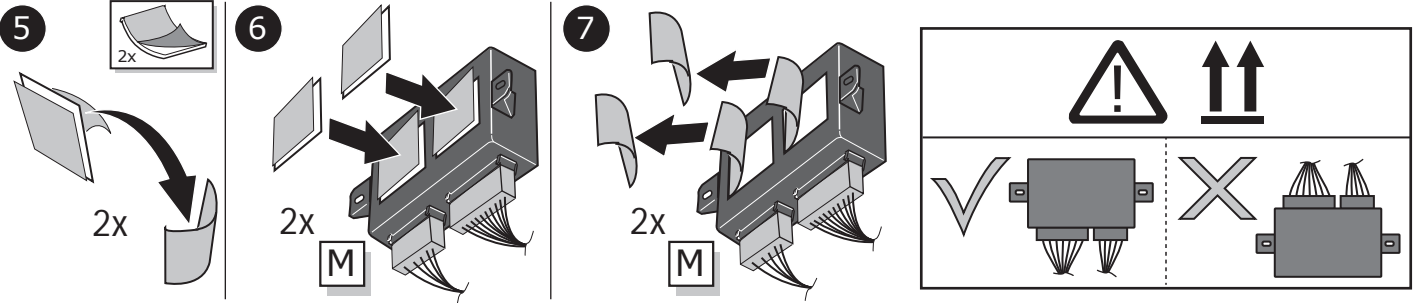
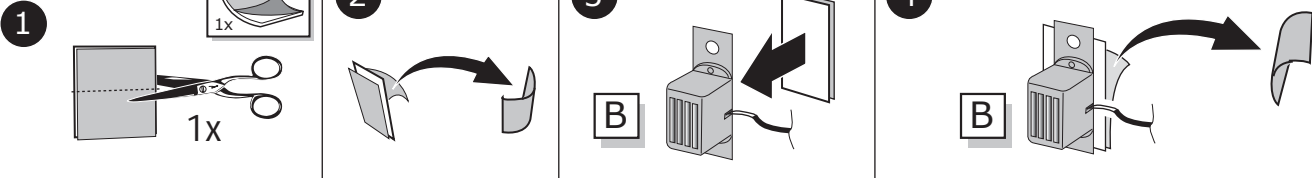
5



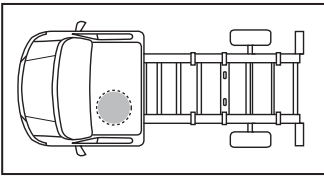
6



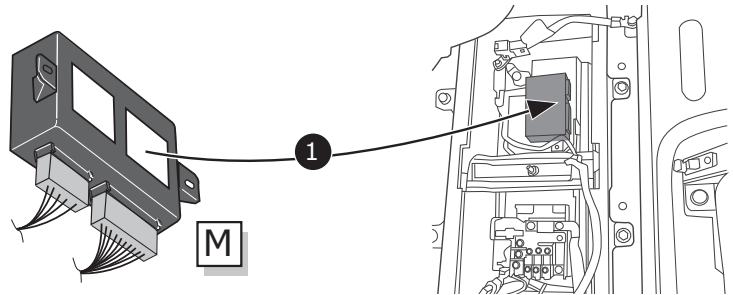
7



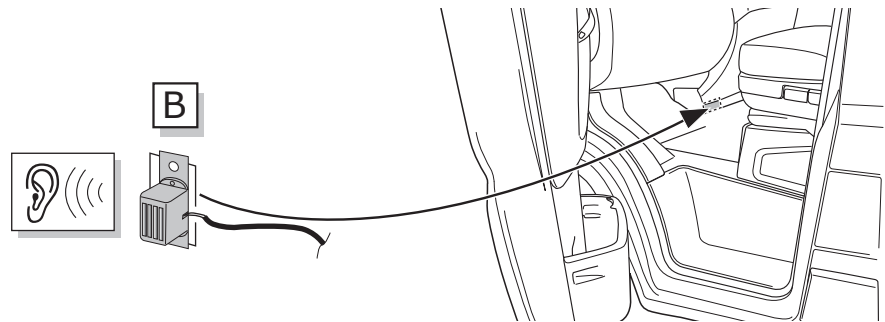
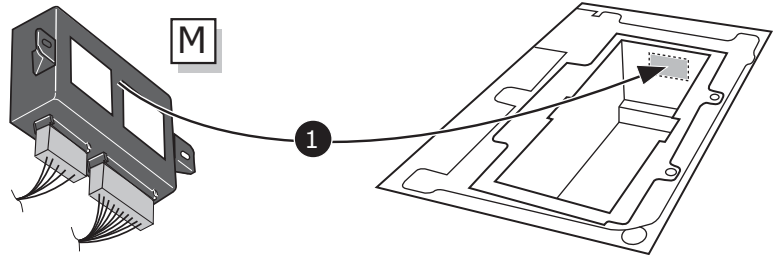
8



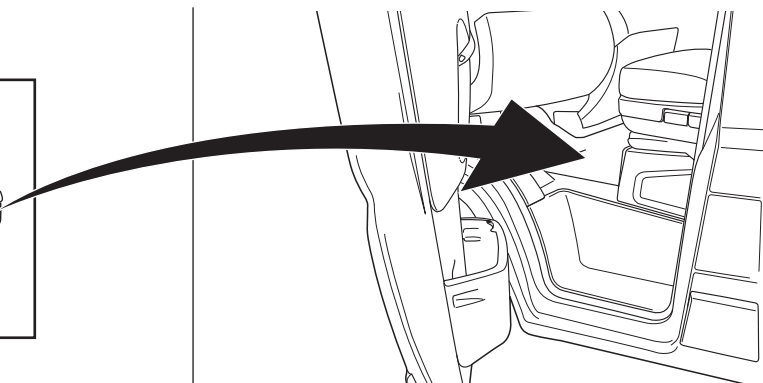
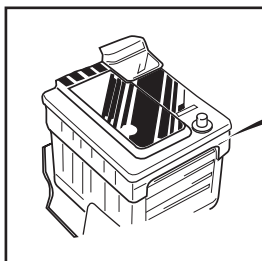
Option 1



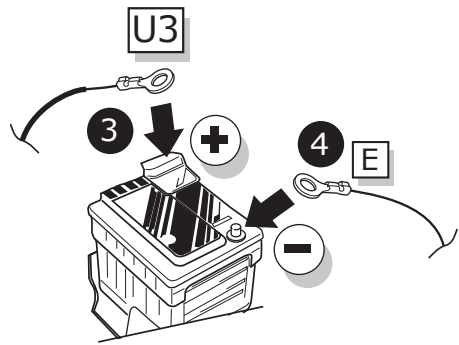
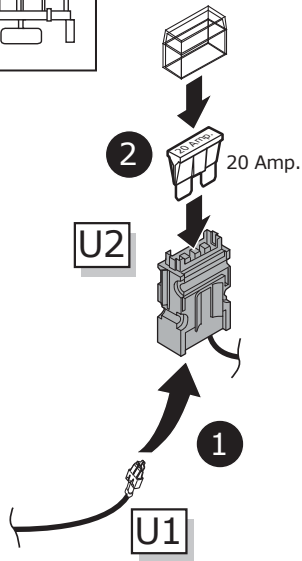
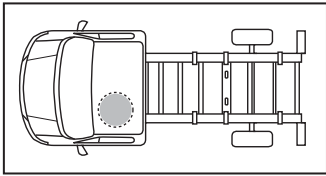
Option 2



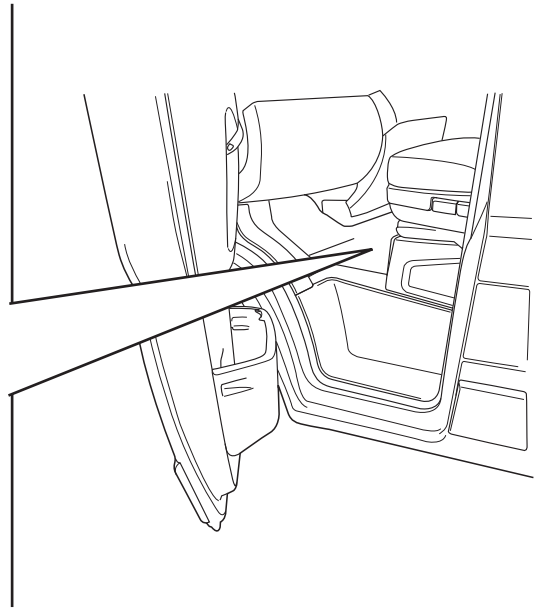
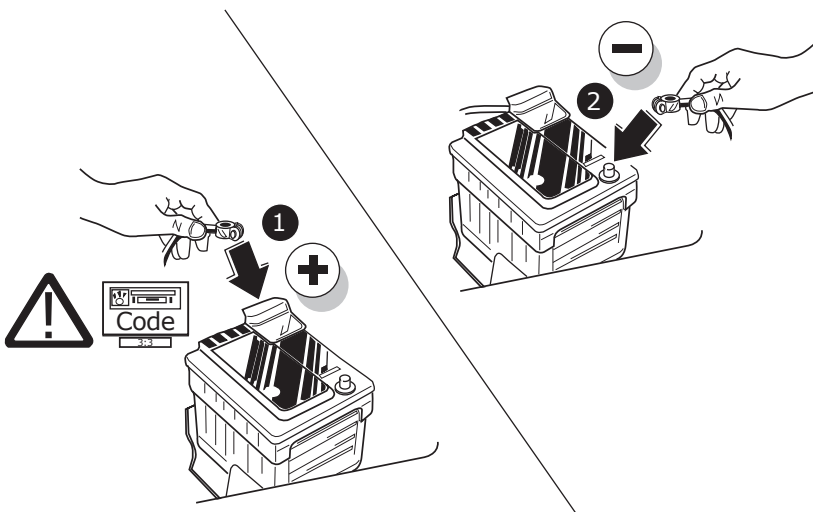
9



10



11

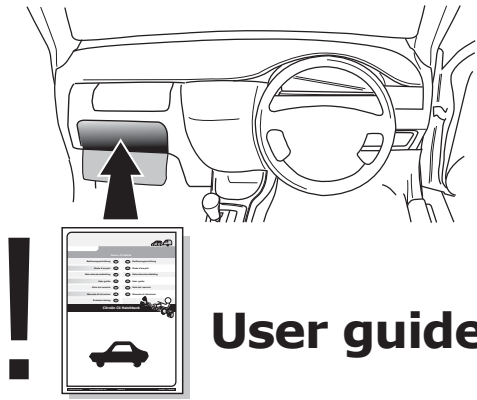


12



TEST ALL THE CIRCUITS WITH A TEST DEVICE WITH THE CORRECT POWER LOAD FOR EACH FUNCTION. A TEST DEVICE WITH LED'S CANNOT BE USED FOR THIS PURPOSE.

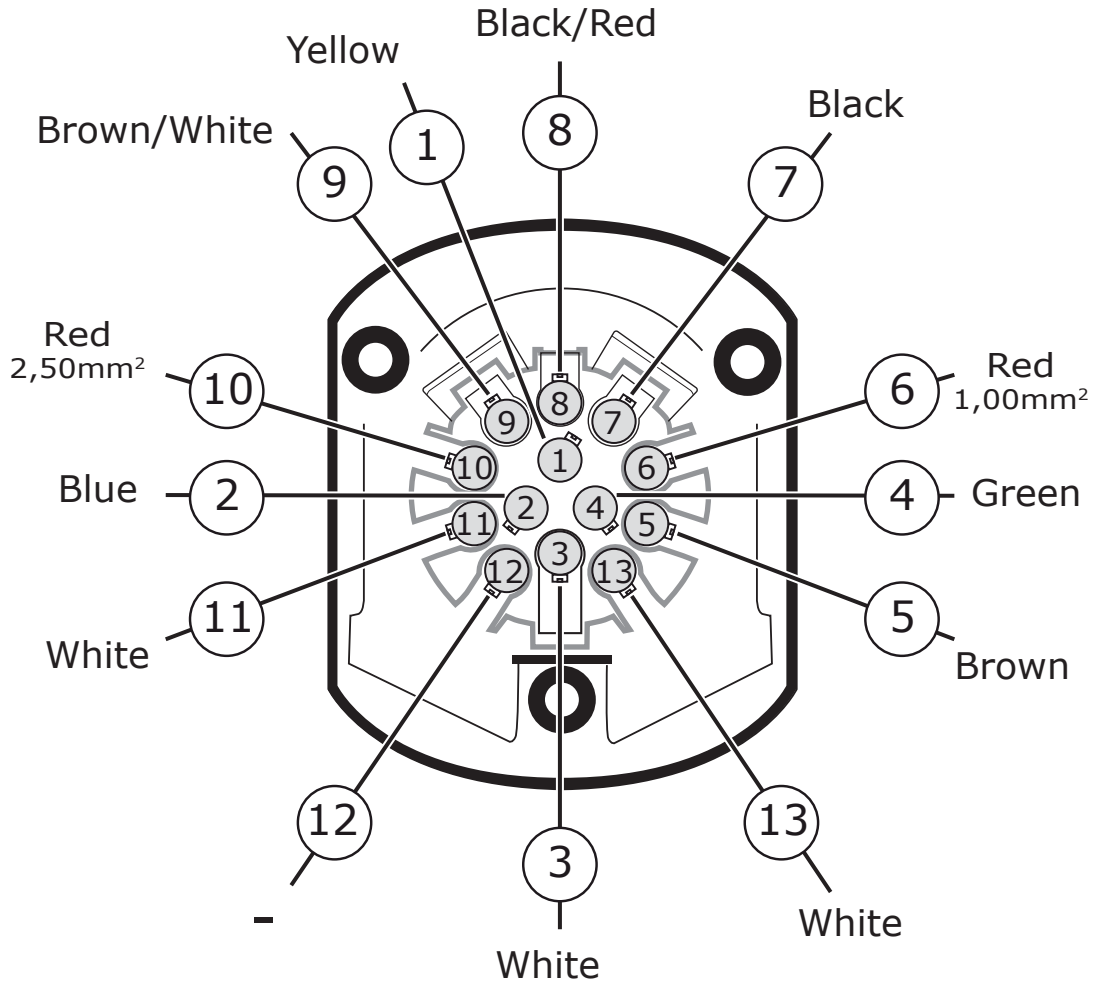
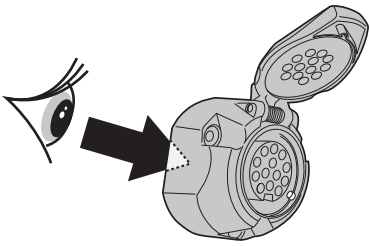
REINSTALL TRIM.



User guide



SOCKET CONNECTION



DIN/ISO 11446													
	1/L	2	3/31	4/R	5/58-R	6/54	7/58-L	8	9	10	11	12	13
Pmax	21W	2x21W		21W	52W	3x21W	52W	2x21W	OPTION	OPTION			
Colour	Yellow	Blue	White	Green	Brown	Red 1,00 mm²	Black	Black/Red	Brown/White	Red 2,50 mm²	White	-	White