

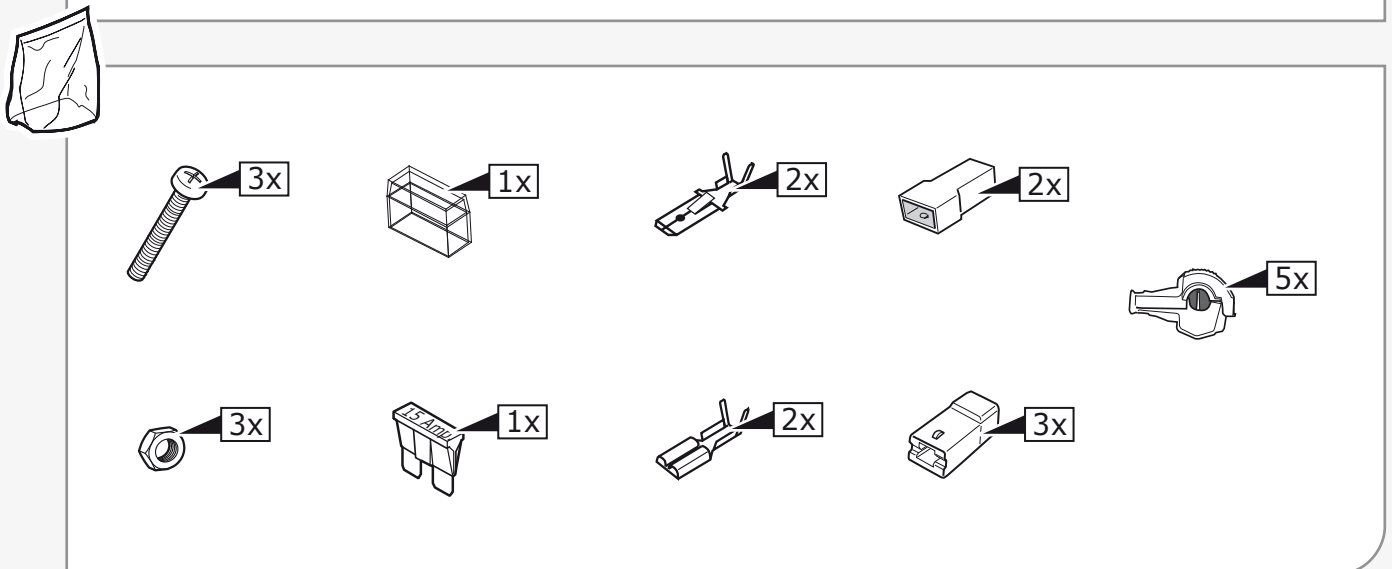
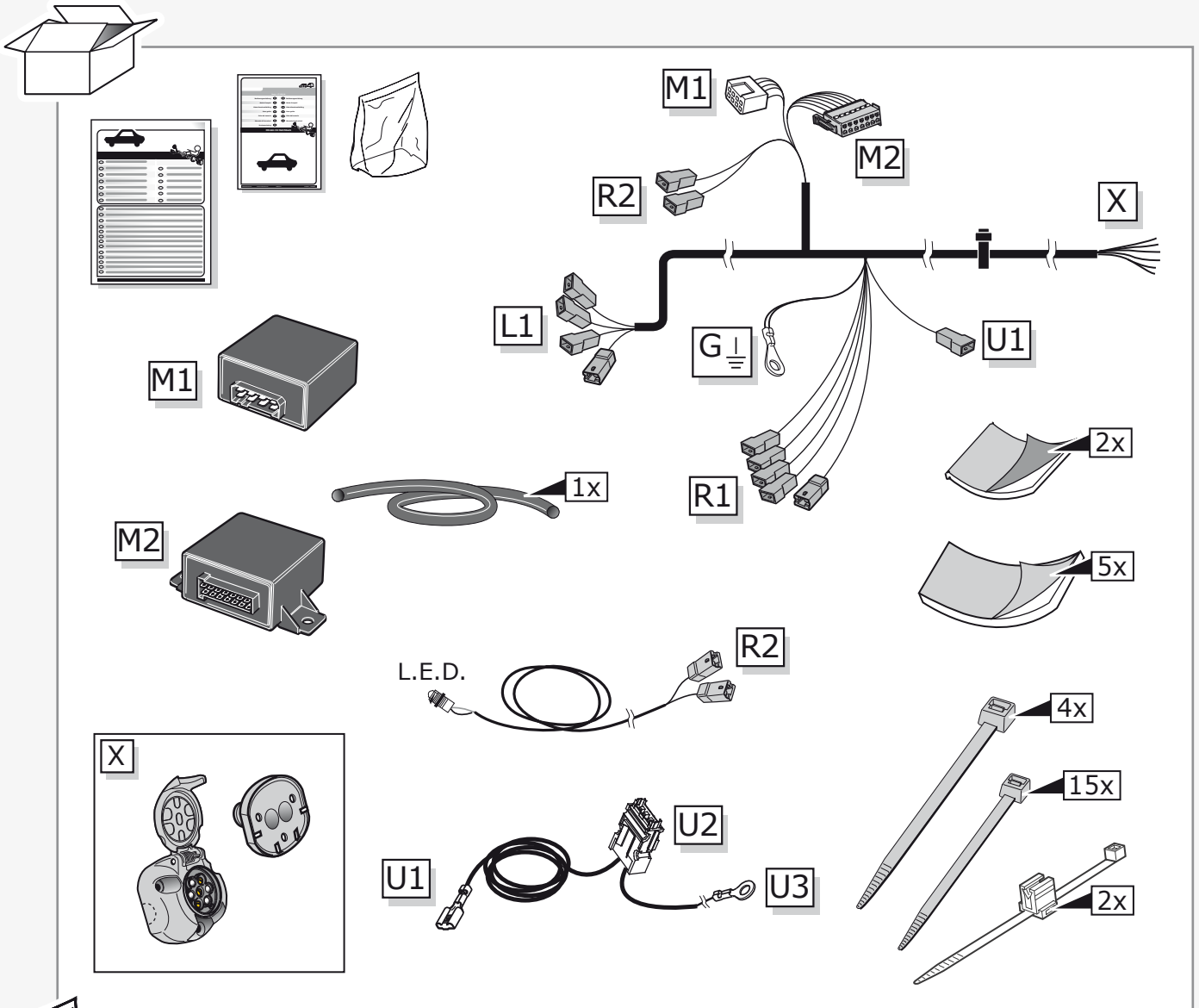
Fiat Fiorino / Peugeot Bipper / Citroën Nemo

Partnr.: FI-024-BHU

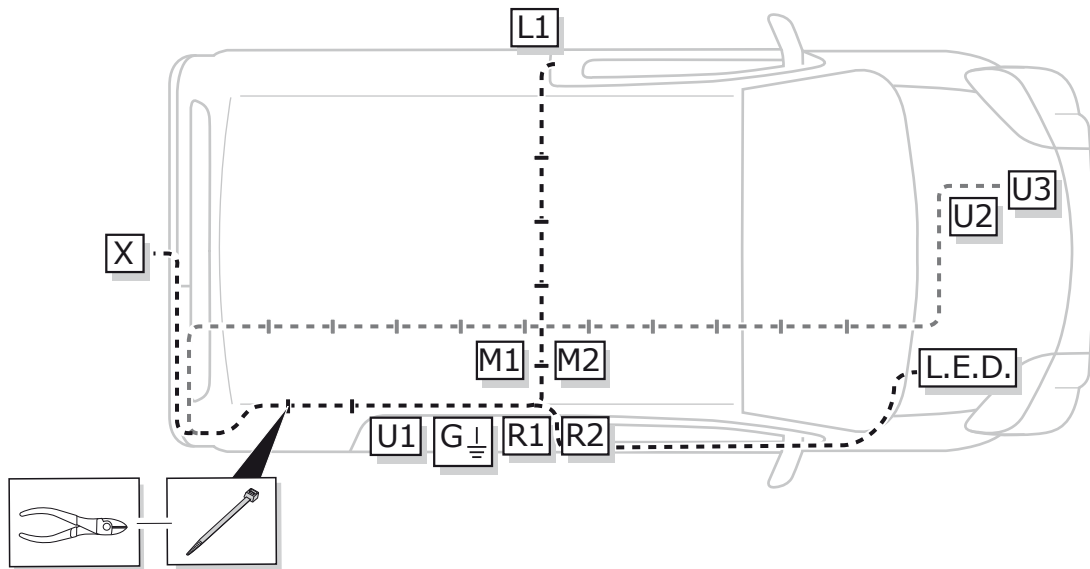
- Fitting instructions electric wiring kit tow bar with 12-N socket up to DIN/ISO Norm 1724.
- We would expressly point out that assembly not carried out properly by a competent installer will result in cancellation of any right to damage compensation, in particular those arising by virtue of the product liability act.
- Contents of these kits and their fitting manuals are subject to alteration without notice, please ensure that these instructions are read and fully understood before commencing installation.
- Do not overload circuits; the maximum loads per connection are detailed in this manual.
- Attention! Before Installation, please read this manual carefully and inform your customer to consult the vehicle owners manual to check for any vehicle modifications required before towing.
- In the event of functional problems, troubleshooting must be limited to about 0.5 hours, contact the technical support:
ukts@ecs-electronics.com / 07440 202 052.



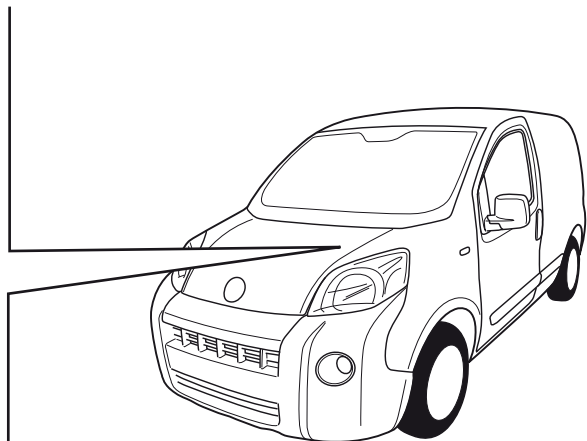
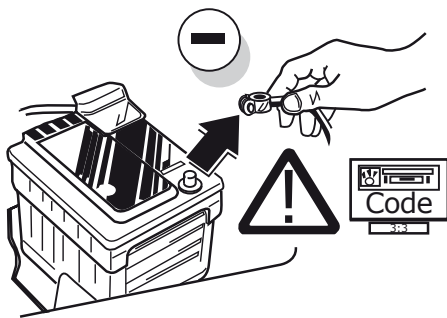
Part list



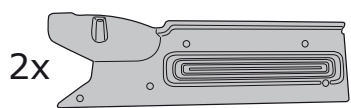
ROUTING



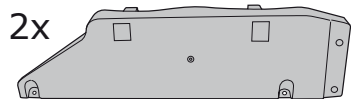
1



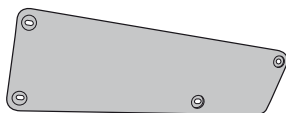
2



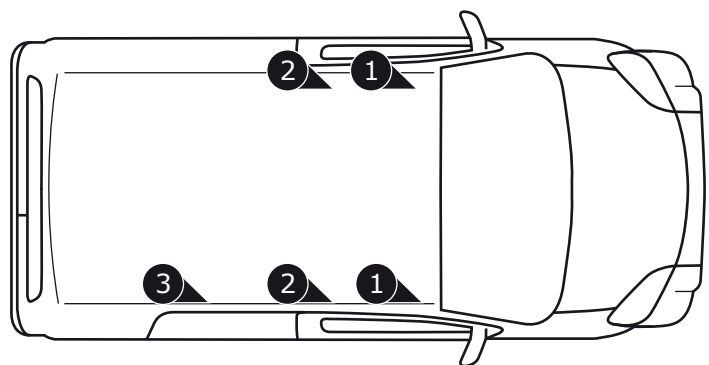
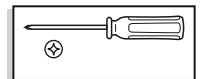
1



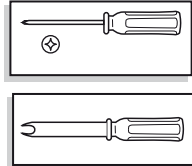
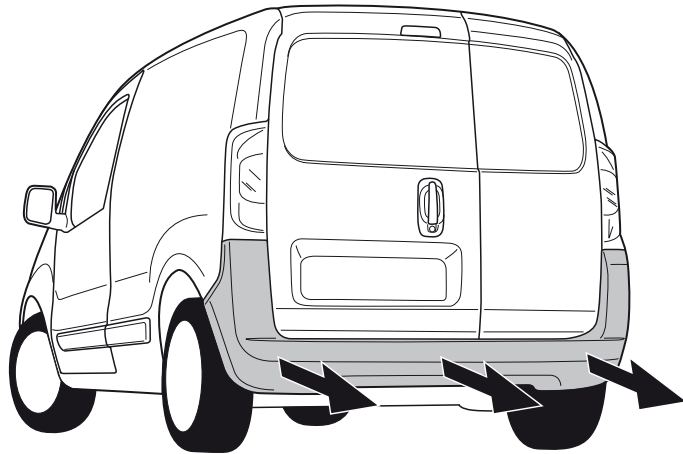
2



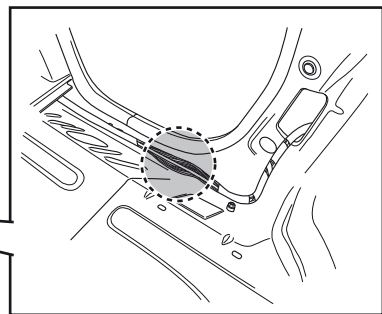
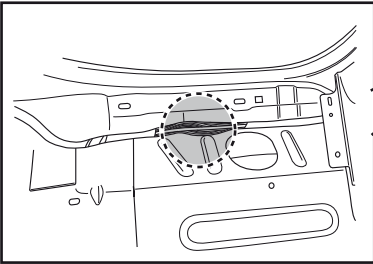
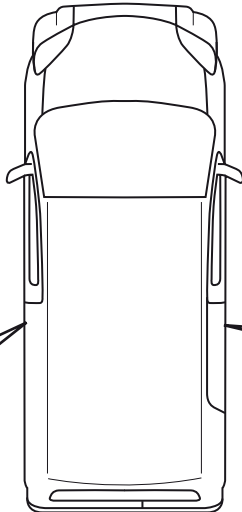
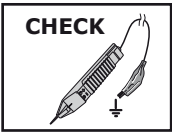
3



3



4



58L

L

54G

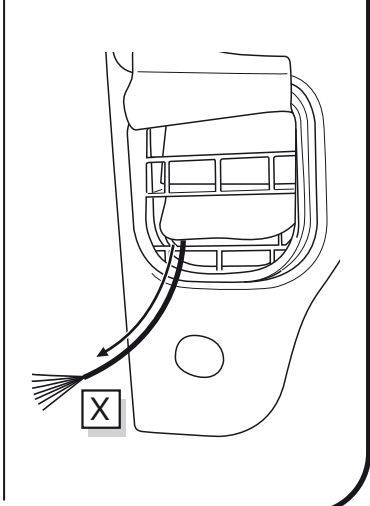
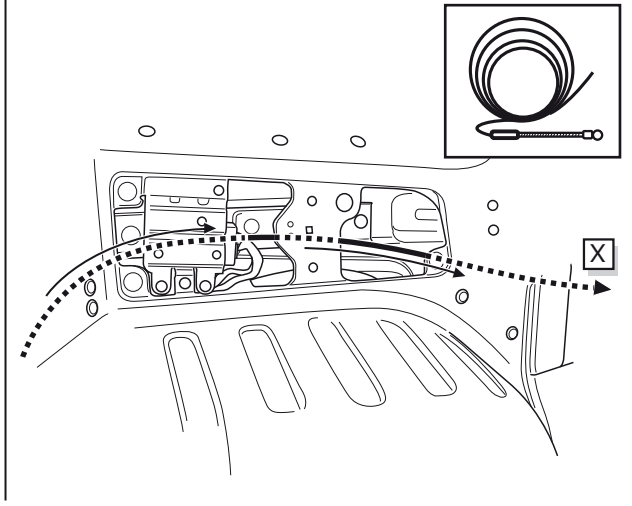
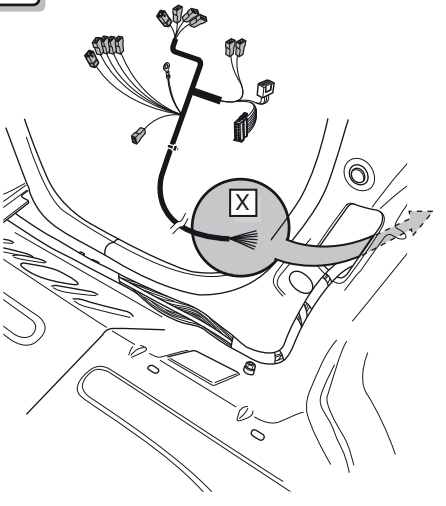
58R

R

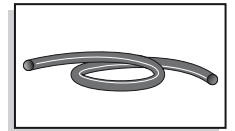
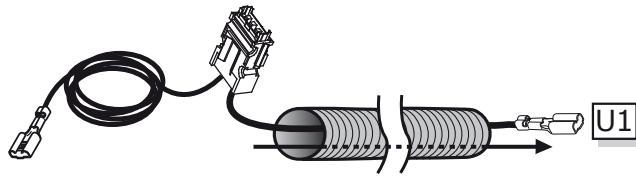
54

54G

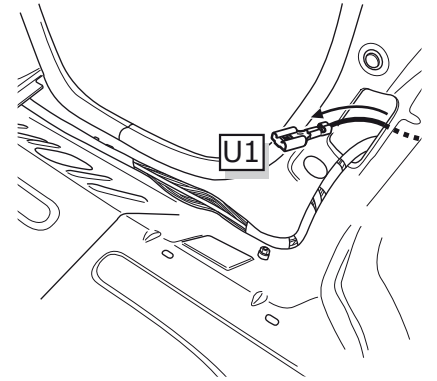
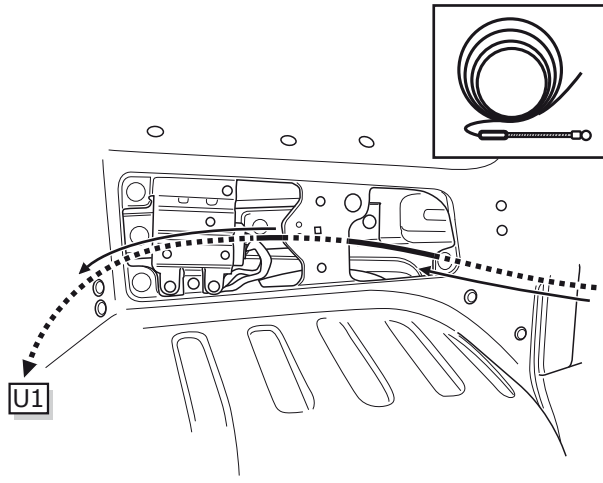
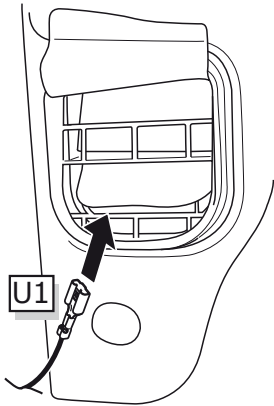
5



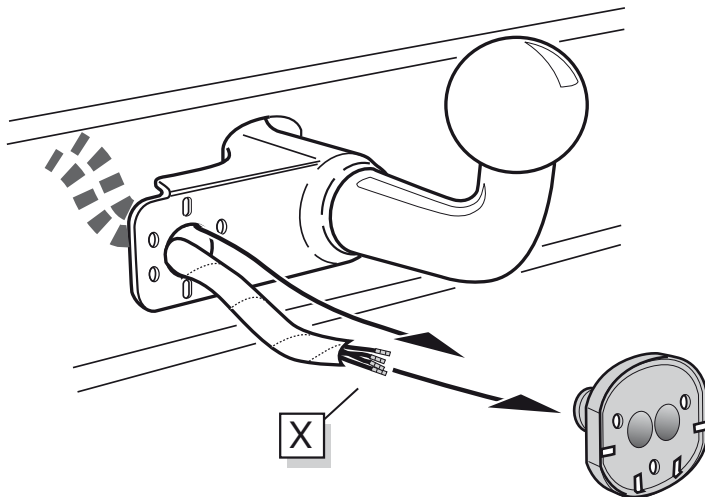
6



7



A



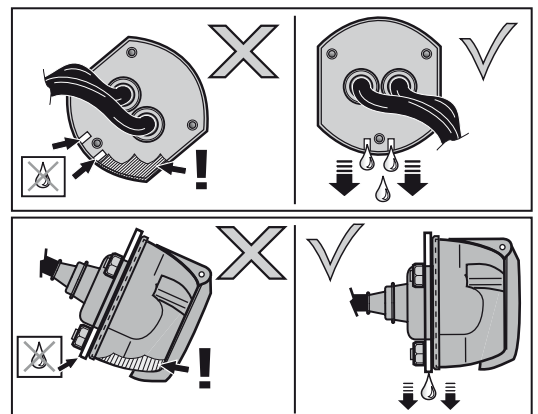
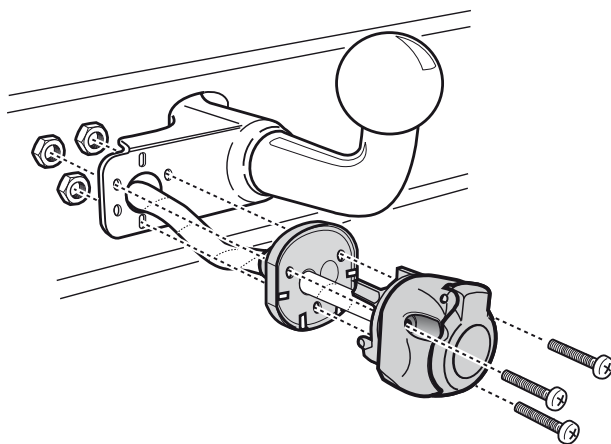
INFO

SOCKET CONNECTION

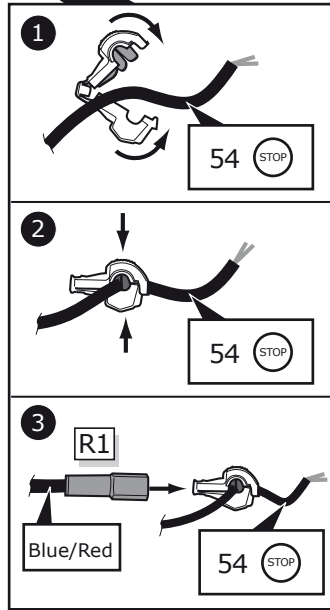
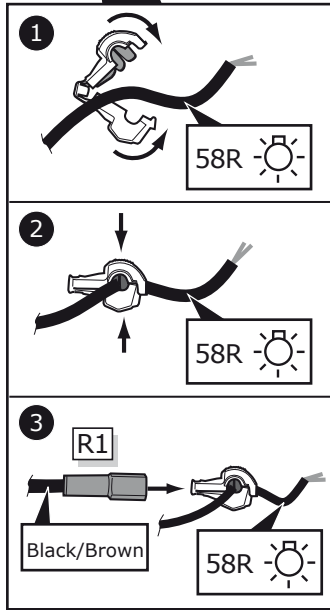
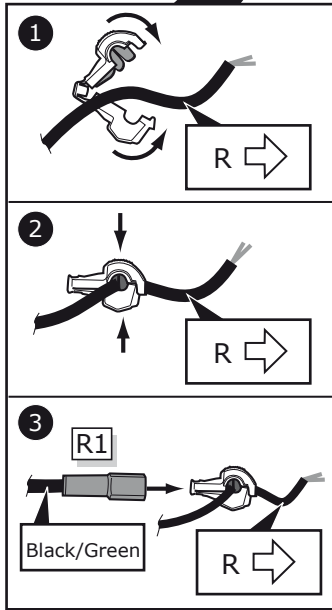
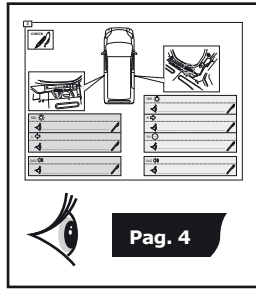
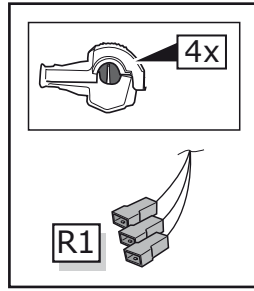
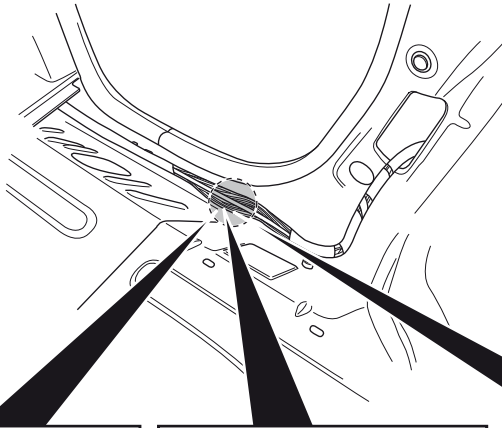
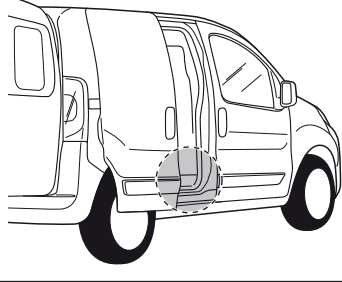


Pag. 10

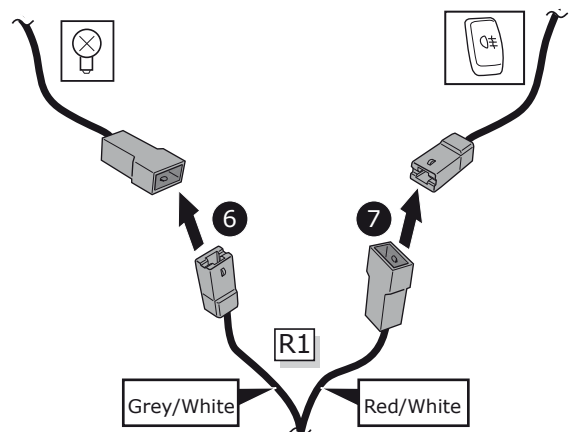
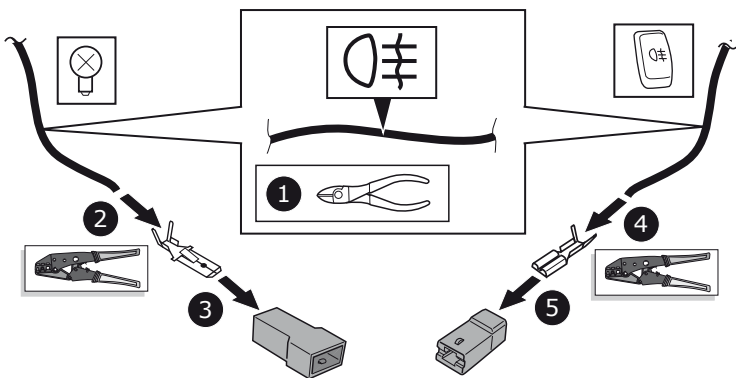
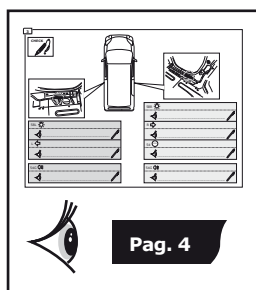
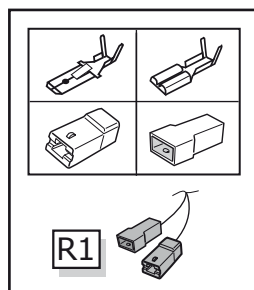
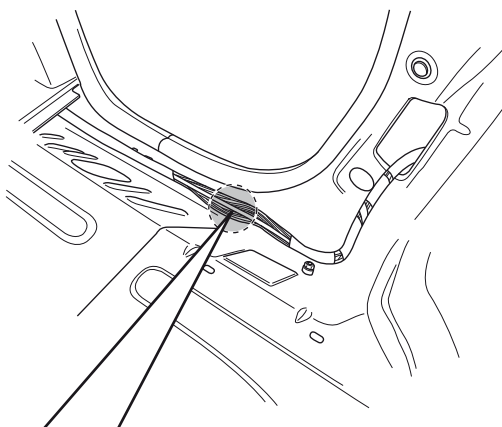
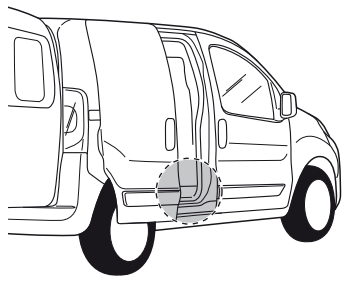
B



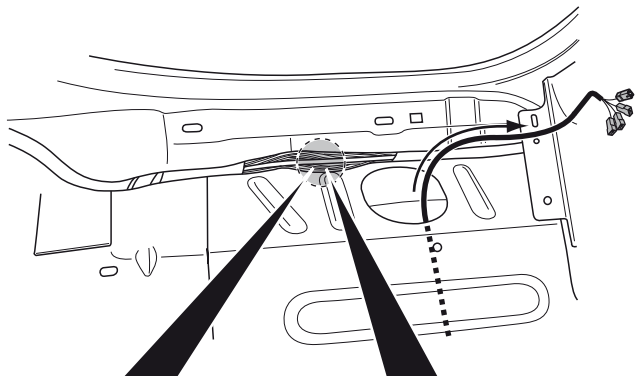
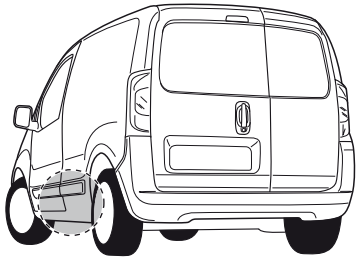
8



9



10



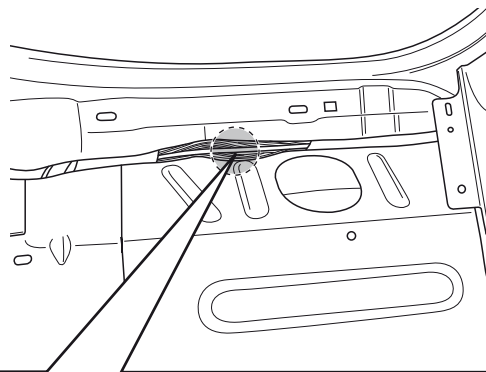
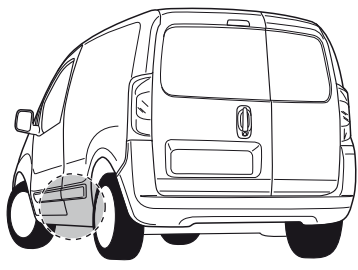
Pag. 4

<p>1</p>	<p>1</p>
<p>2</p>	<p>2</p>
<p>3</p>	<p>3</p>

2x

L1

11



L1

Pag. 4

1

2

3

4

5

6

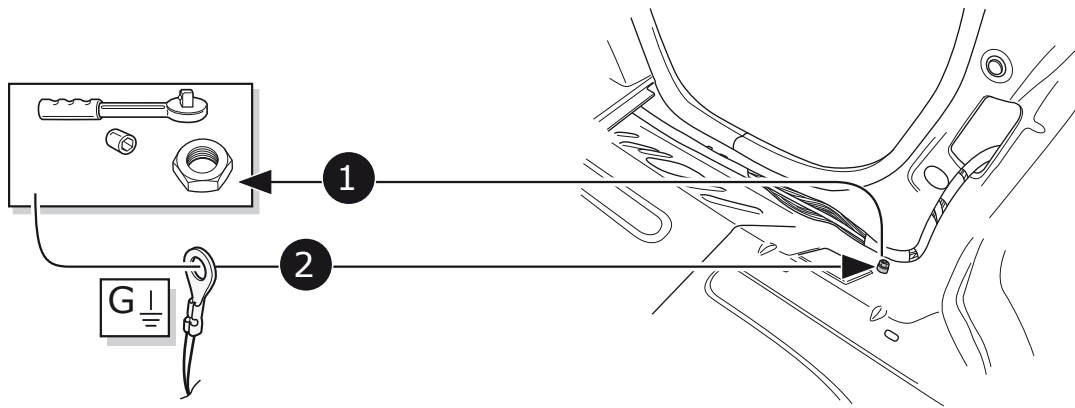
7

L1

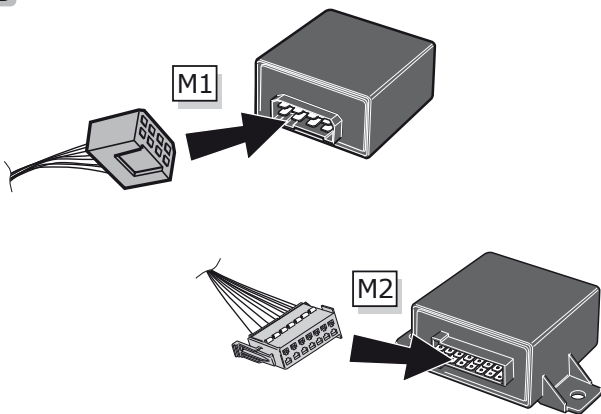
Grey

Red/Yellow

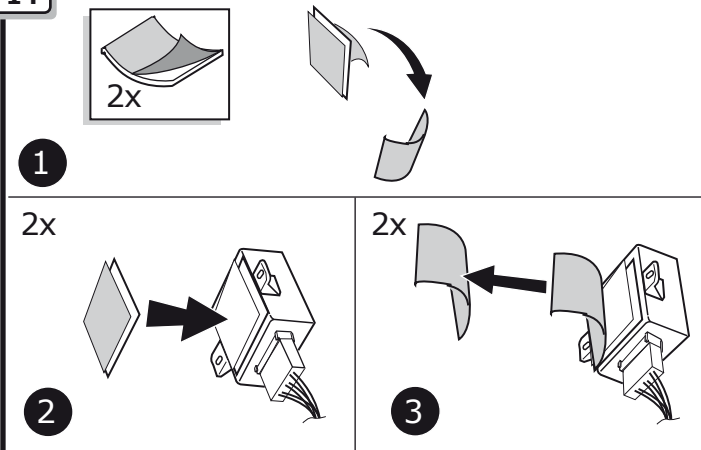
12



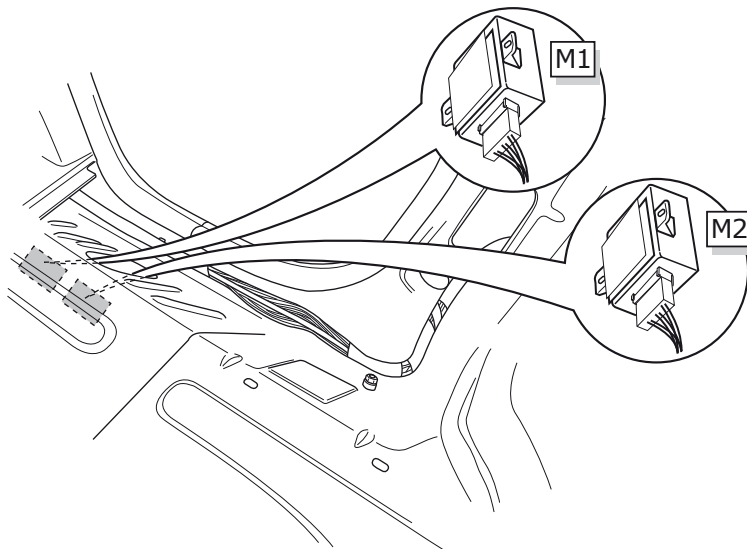
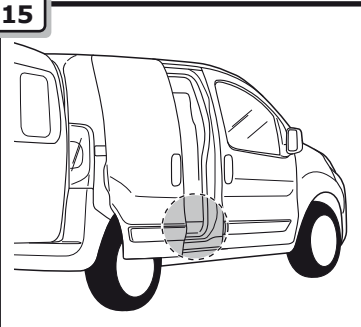
13



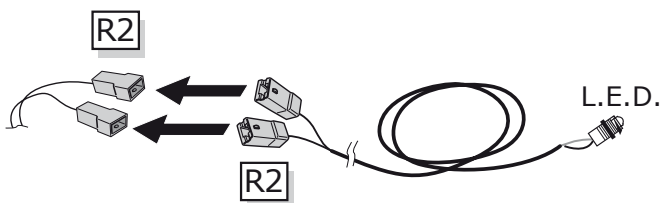
14



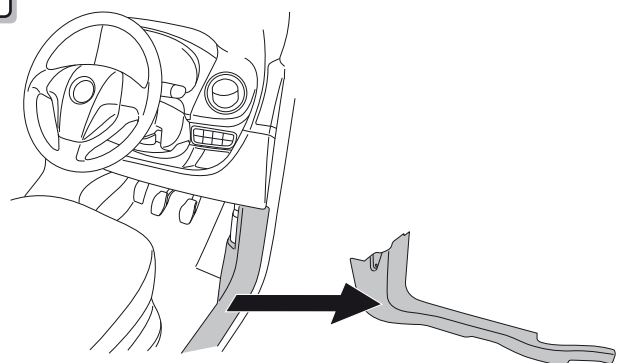
15



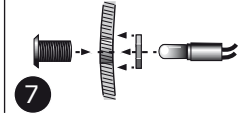
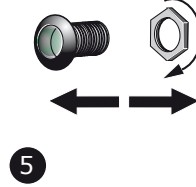
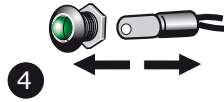
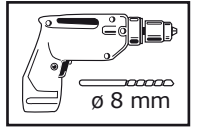
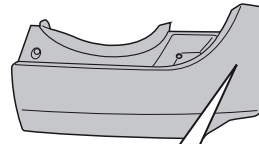
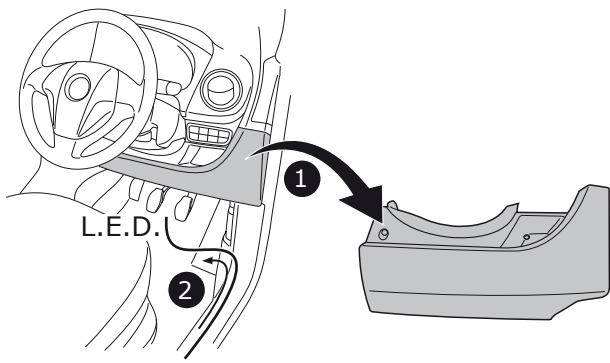
16



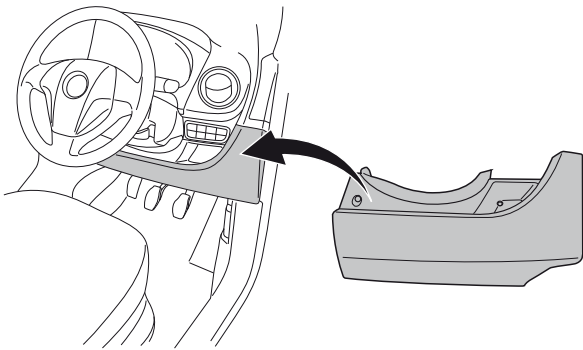
17



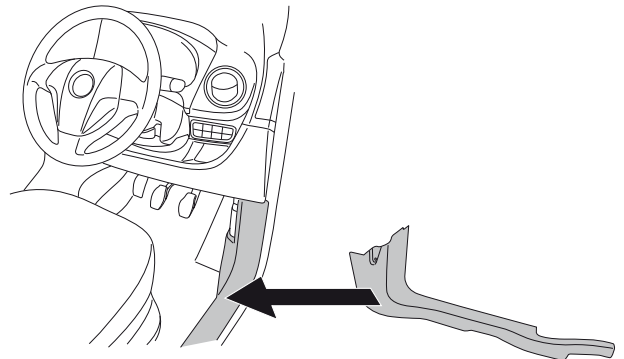
18



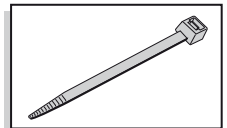
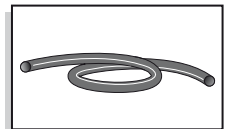
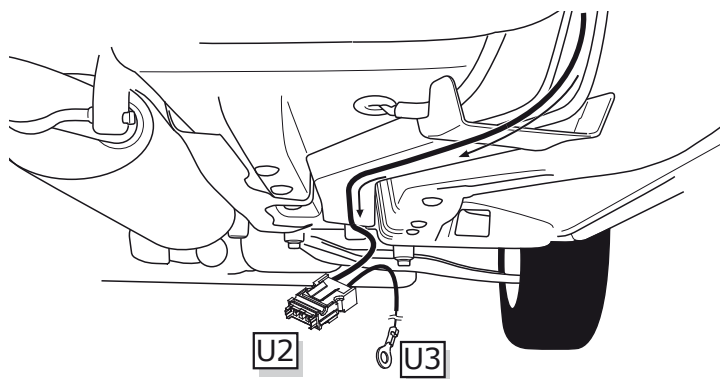
19



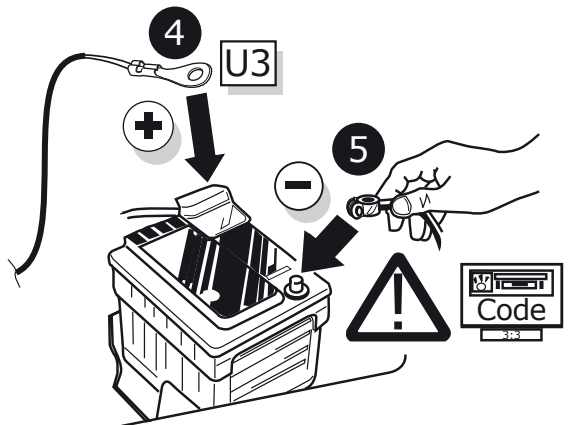
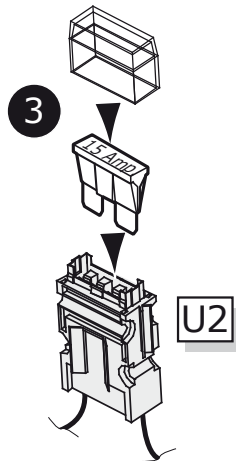
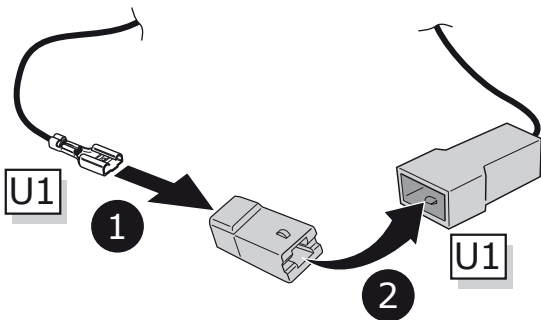
20



21



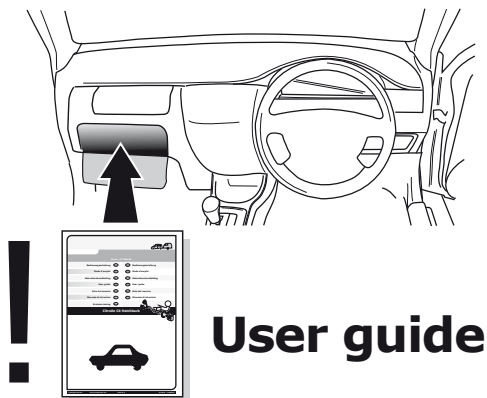
22



! TEST ALL THE CIRCUITS WITH A TEST DEVICE WITH THE CORRECT POWER LOAD FOR EACH FUNCTION. A TEST DEVICE WITH LED'S CANNOT BE USED FOR THIS PURPOSE.

INFO

REINSTALL TRIM.



INFO

SOCKET CONNECTION

DIN/ISO 1724							
	1/L	2	3/31	4/R	5/58-R	6/54	7/58-L
Pmax	21W	2x21W		21W	52W	3x21W	52W
Colour	Yellow	Blue	White	Green	Brown	Red	Black