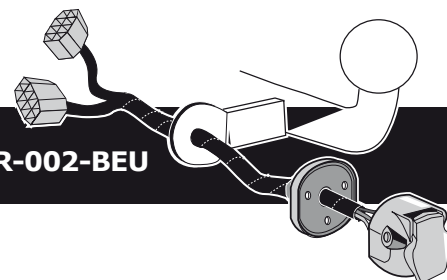


**FORD FOCUS Hatchback 3 Door 1998/Feb 2001**  
**FORD FOCUS Hatchback 5 Door 1998/Early 2005**  
**FORD FOCUS Saloon 1999/Early 2005**  
**FORD FOCUS Estate 1999/Early 2005**

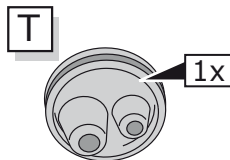
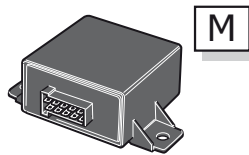
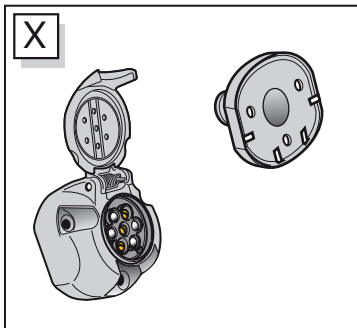
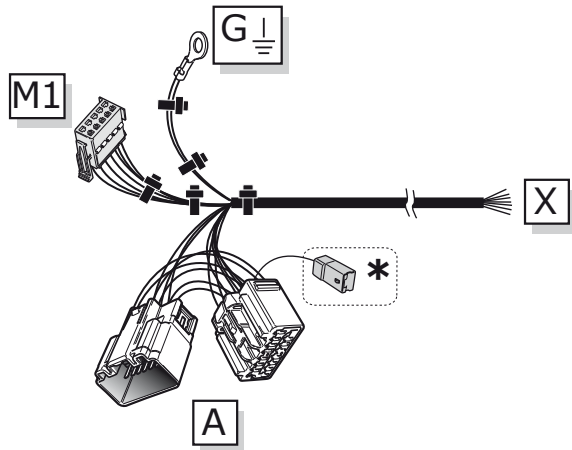
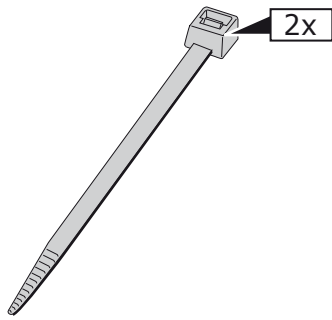
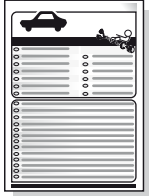
Partnr.: FR-002-BEU



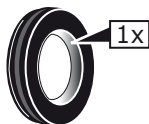
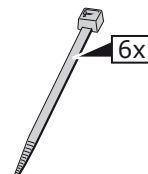
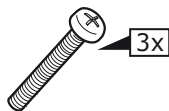
- Fitting instructions electric wiring kit tow bar with 12-N socket up to DIN/ISO Norm 1724.
- We would expressly point out that assembly not carried out properly by a competent installer will result in cancellation of any right to damage compensation, in particular those arising by virtue of the product liability act.
- Contents of these kits and their fitting manuals are subject to alteration without notice, please ensure that these instructions are read and fully understood before commencing installation.
- Do not overload circuits; the maximum loads per connection are detailed in this manual.
- Attention! Before Installation, please read this manual carefully and inform your customer to consult the vehicle owners manual to check for any vehicle modifications required before towing.
- In the event of functional problems, troubleshooting must be limited to about 0.5 hours, contact the technical support:  
[ukts@ecs-electronics.com](mailto:ukts@ecs-electronics.com) / 07440 202 052.



# Part list

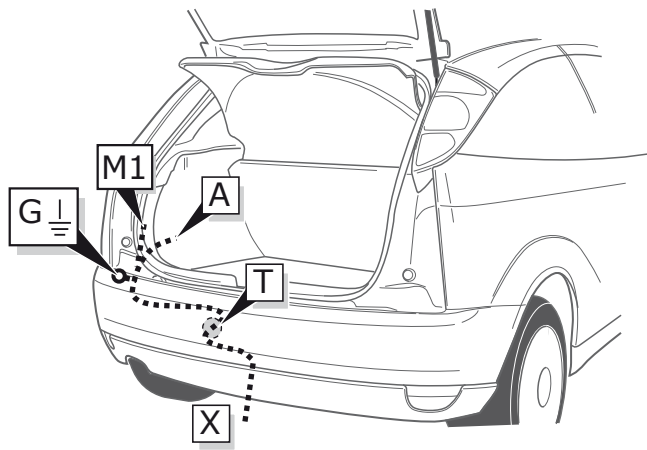


\* Reverse signal preparation  
▶ **Pag. 10**

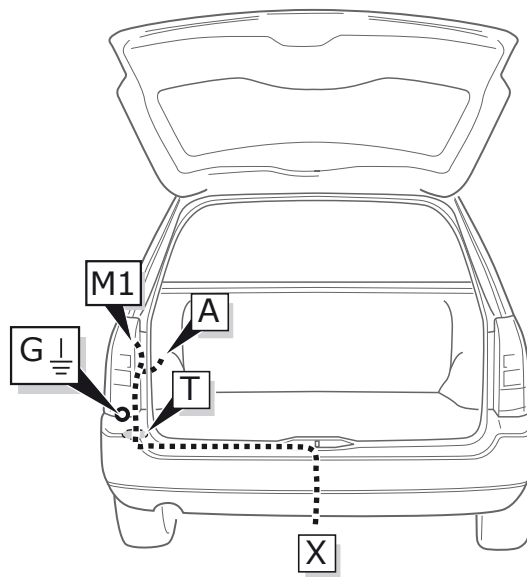


**ROUTING**

**HATCHBACK 3/5 D  
SALOON**

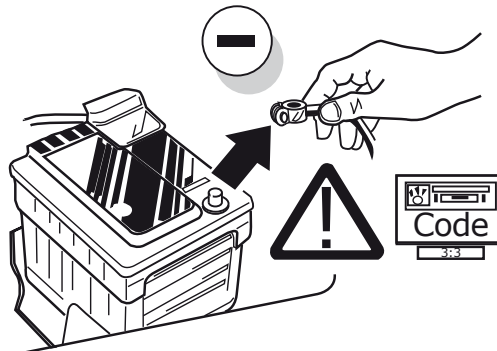


**ESTATE**



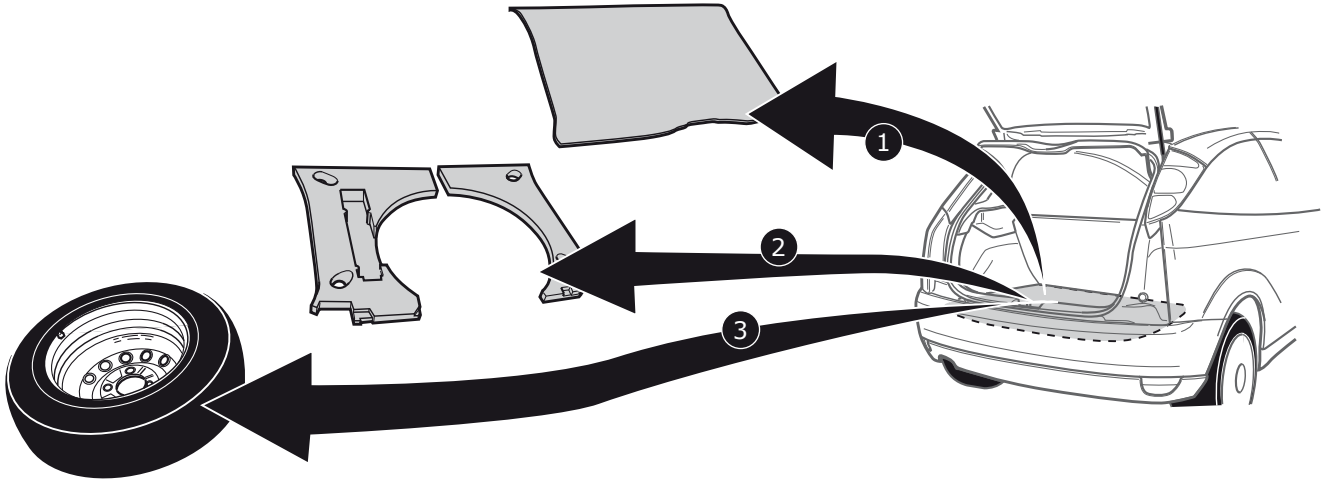
**All models**

**1**

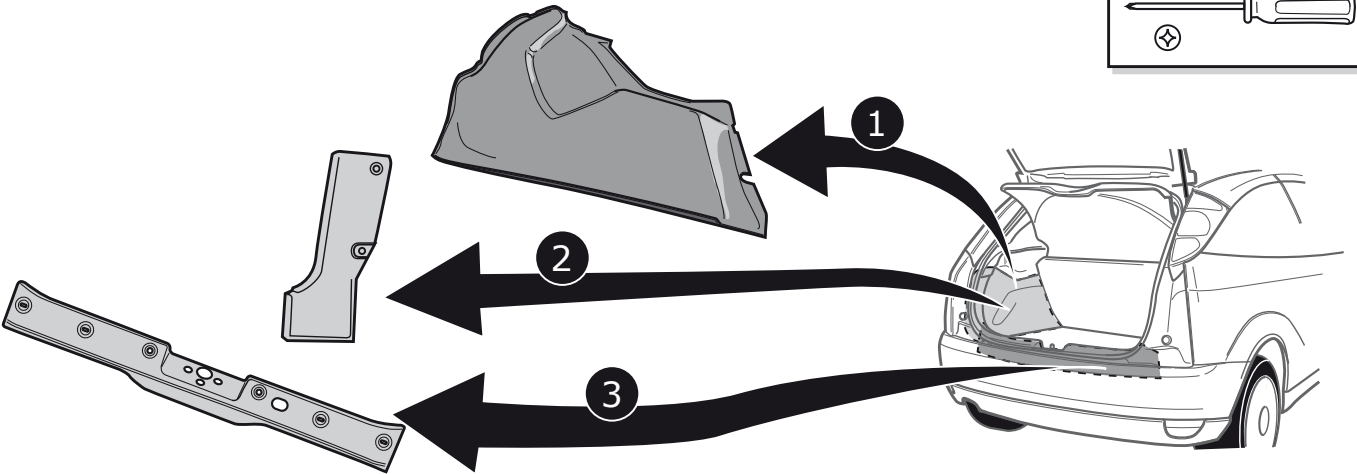


## Hatchback 3-5Drs / Saloon

2

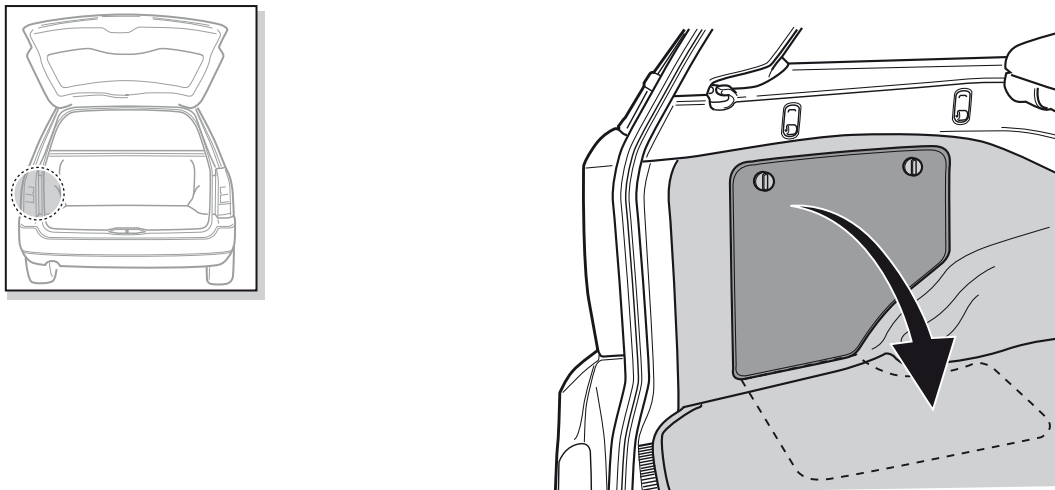


3



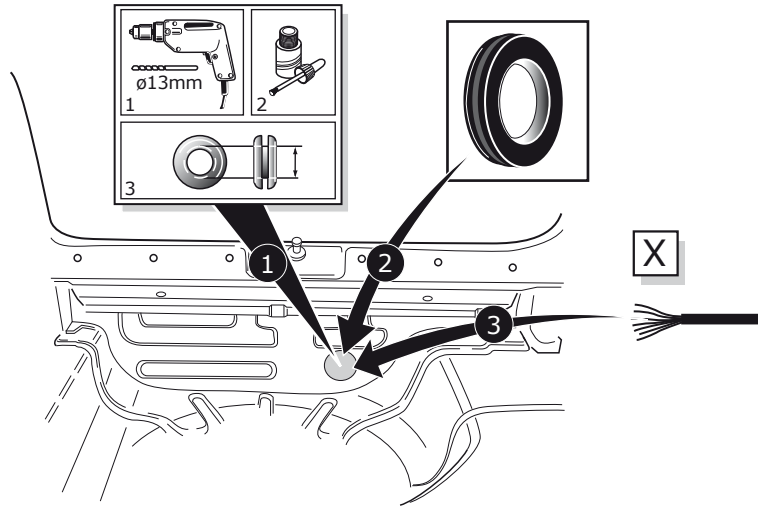
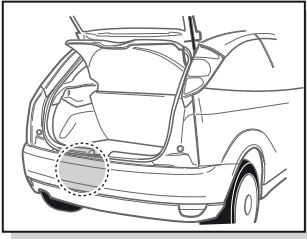
## Estate

4



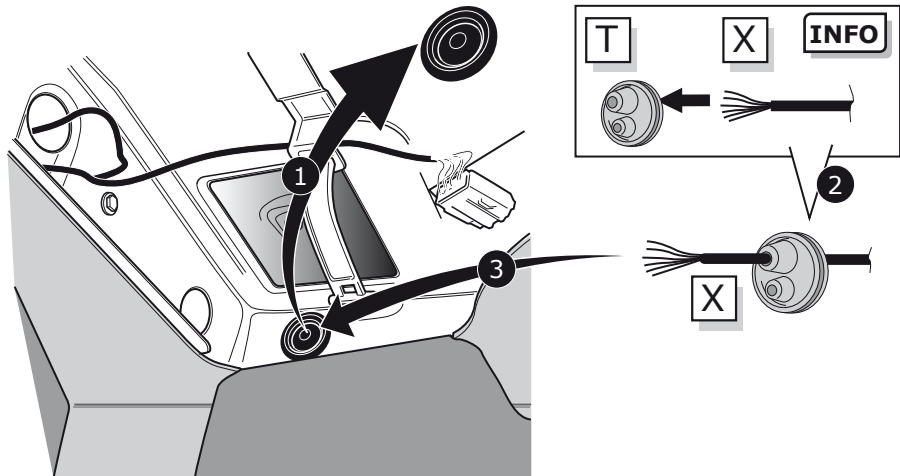
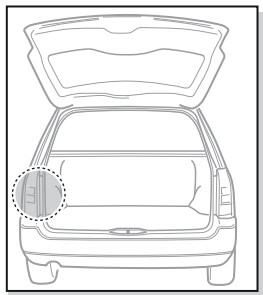
# Hatchback 3-5Drs / Saloon

5



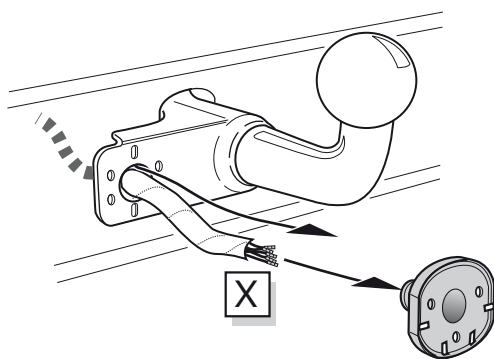
# Estate

6



# All models

A



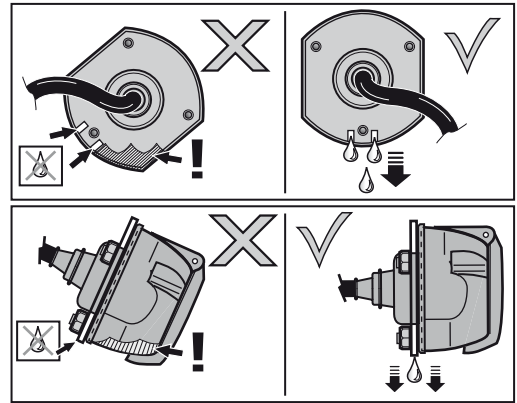
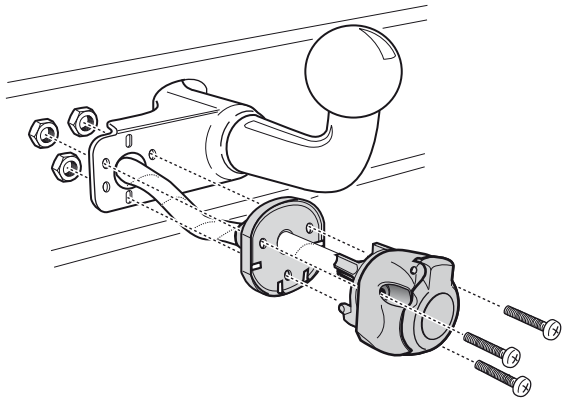
INFO

SOCKET CONNECTION

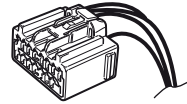
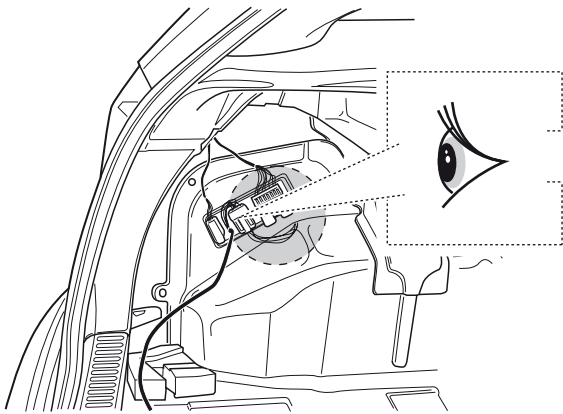


Pag. 9

B



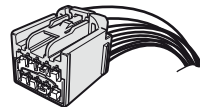
7



16-pole  
blue



8

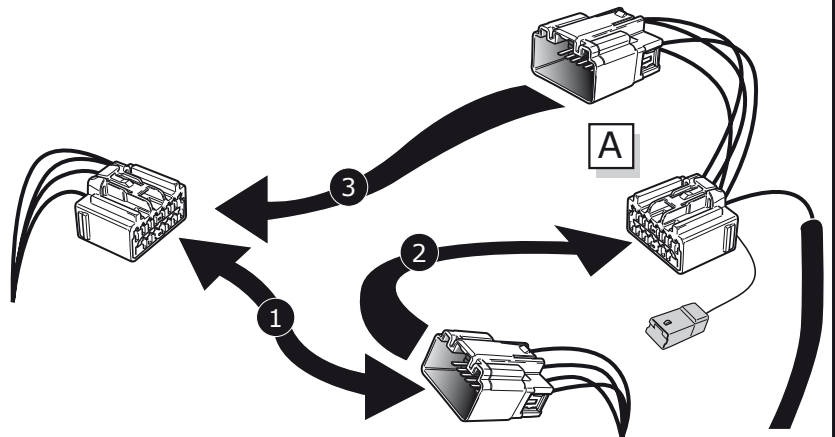
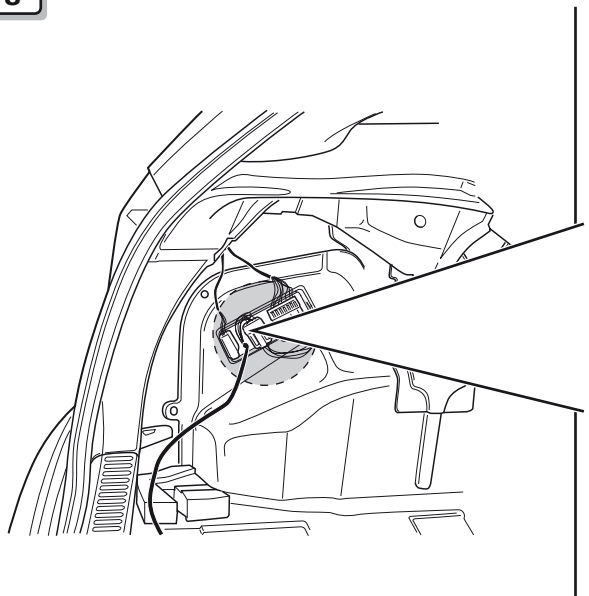


10-pole  
grey



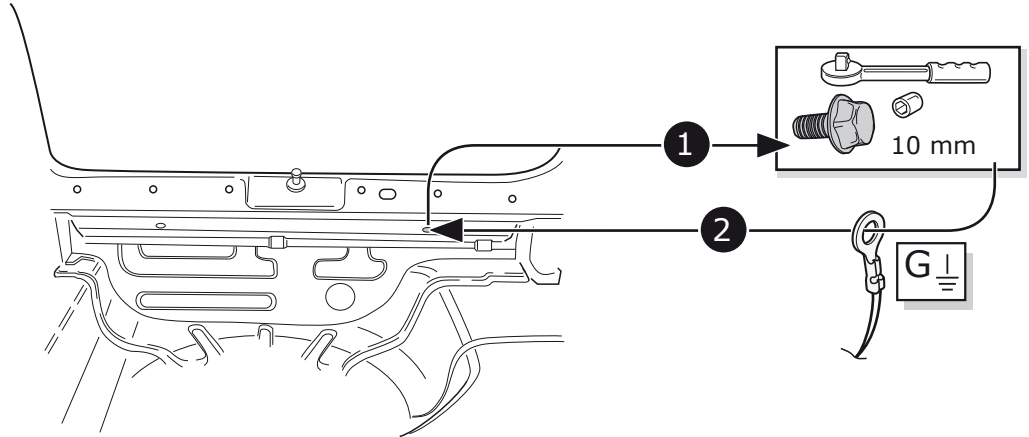
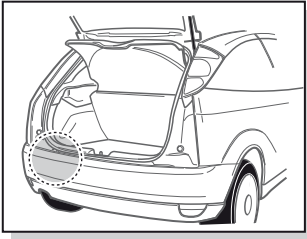
Order additional kit  
FR-023-ZZ

8



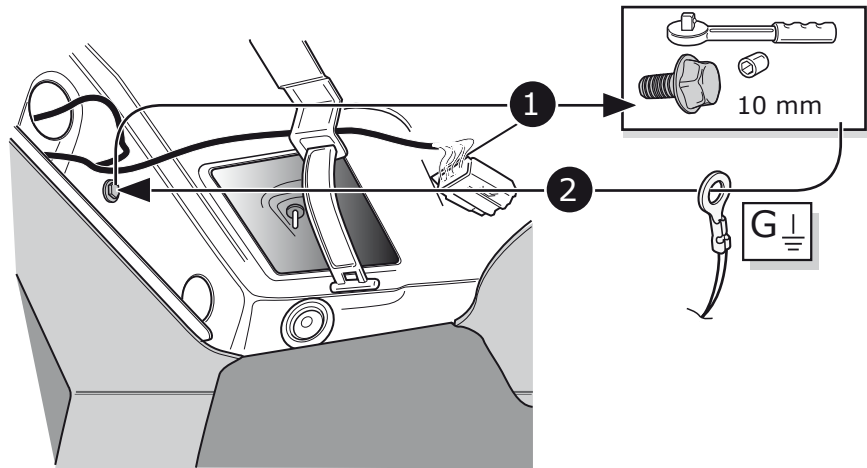
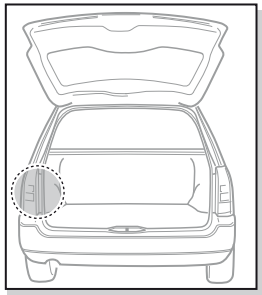
# Hatchback 3-5 Drs / Saloon

9



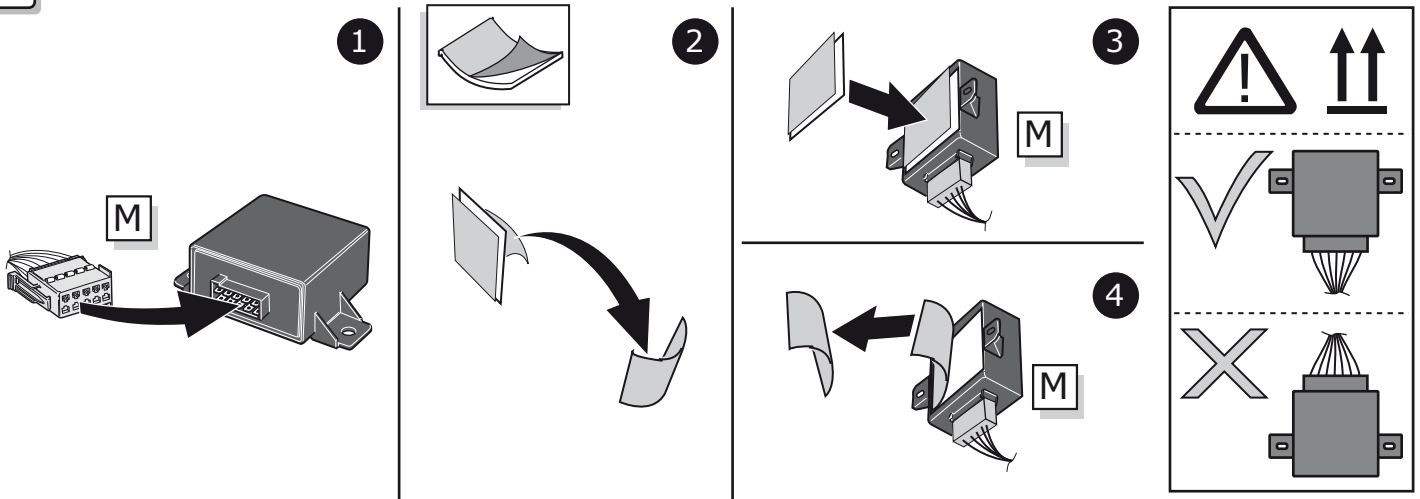
# Estate

10

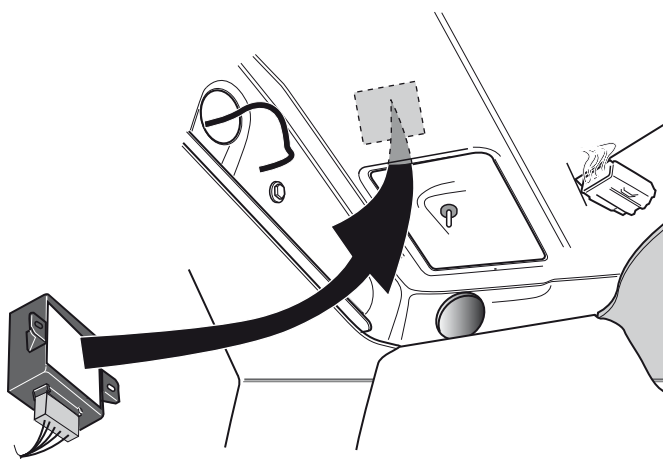
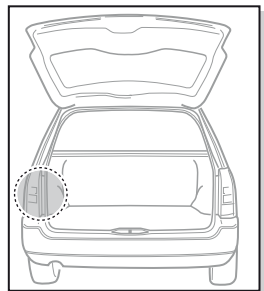
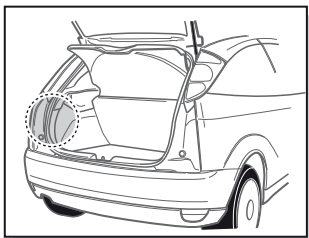


# All models

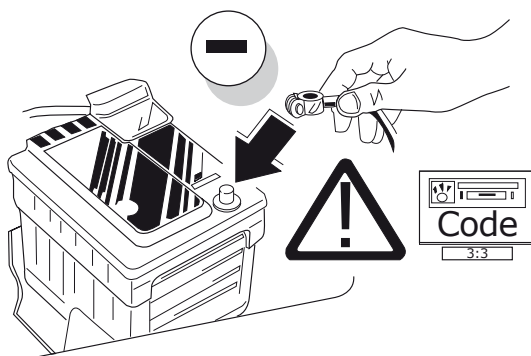
11



12



13



14

TEST ALL THE CIRCUITS WITH A TEST DEVICE WITH THE CORRECT POWER LOAD FOR EACH FUNCTION. A TEST DEVICE WITH LED'S CANNOT BE USED FOR THIS PURPOSE.

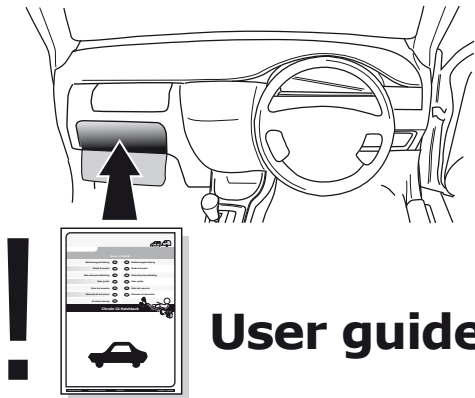


All models

INFO

REINSTALL TRIM.

15



INFO

SOCKET CONNECTION

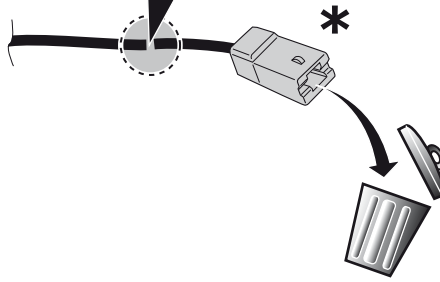
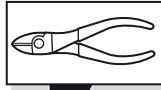
DIN/ISO 1724								
	1/L	2	3/31	4/R	5/58-R	6/54	7/58-L	8
Pmax	21W	2x21W		21W	52W	3x21W	52W	
Colour	Yellow	Blue	White	Green	Brown	Red	Black	Grey

# Reverse signal preparation

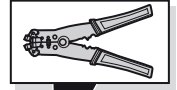
A



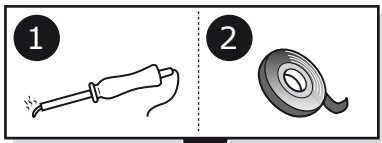
1



2



B



⚠ MAX = 21W