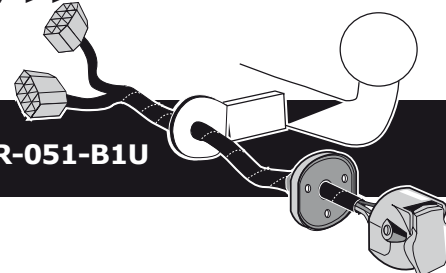


Ford Mondeo Sedan, Hatchback, Stationwagon 06/2007 >>

Ford S-Max 03/2006 >>

Ford Galaxy 06/2006 >>

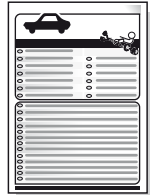
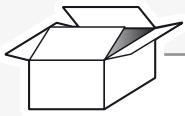
Partnr.: FR-051-B1U



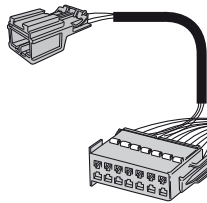
- Fitting instructions electric wiring kit tow bar with 12-N socket up to DIN/ISO Norm 1724.
- We would expressly point out that assembly not carried out properly by a competent installer will result in cancellation of any right to damage compensation, in particular those arising by virtue of the product liability act.
- Contents of these kits and their fitting manuals are subject to alteration without notice, please ensure that these instructions are read and fully understood before commencing installation.
- Do not overload circuits; the maximum loads per connection are detailed in this manual.
- Attention! Before Installation, please read this manual carefully and inform your customer to consult the vehicle owners manual to check for any vehicle modifications required before towing.
- In the event of functional problems, troubleshooting must be limited to about 0.5 hours, contact the technical support:
ukts@ecs-electronics.com / 07440 202 052.



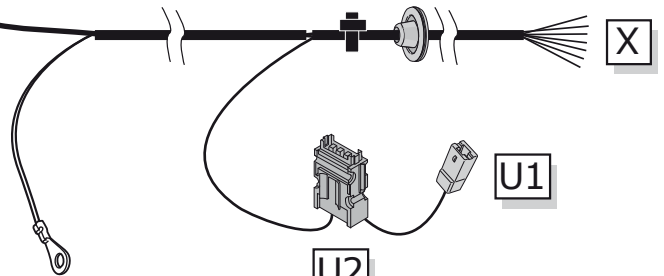
Part list



R1



M

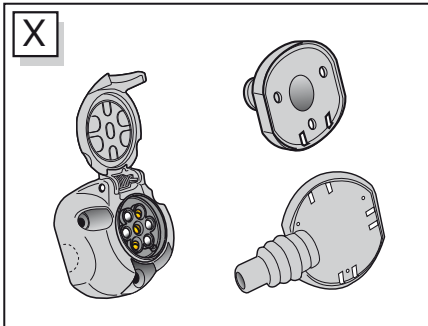
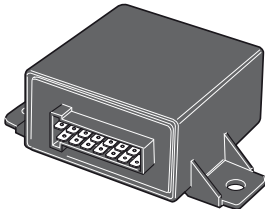


G

U2

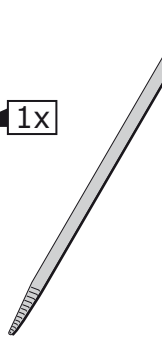
U1

M



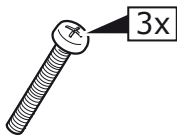
1x

4x



UN-243-YZ
 Optional reverse lamp
 pre-wire extension included

Pag. 15



3x



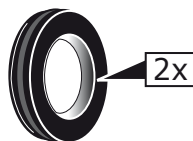
1x



1x



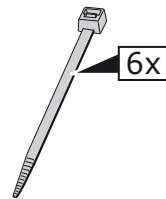
3x



2x

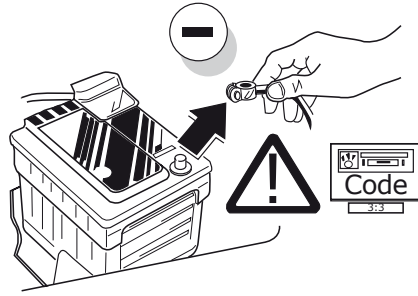


1x



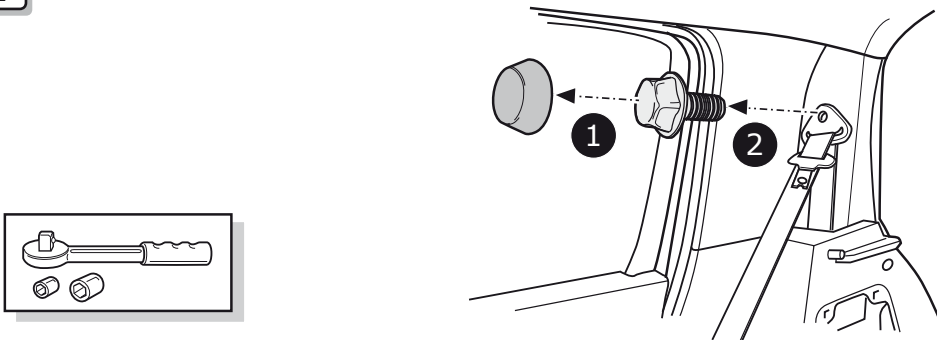
6x

1

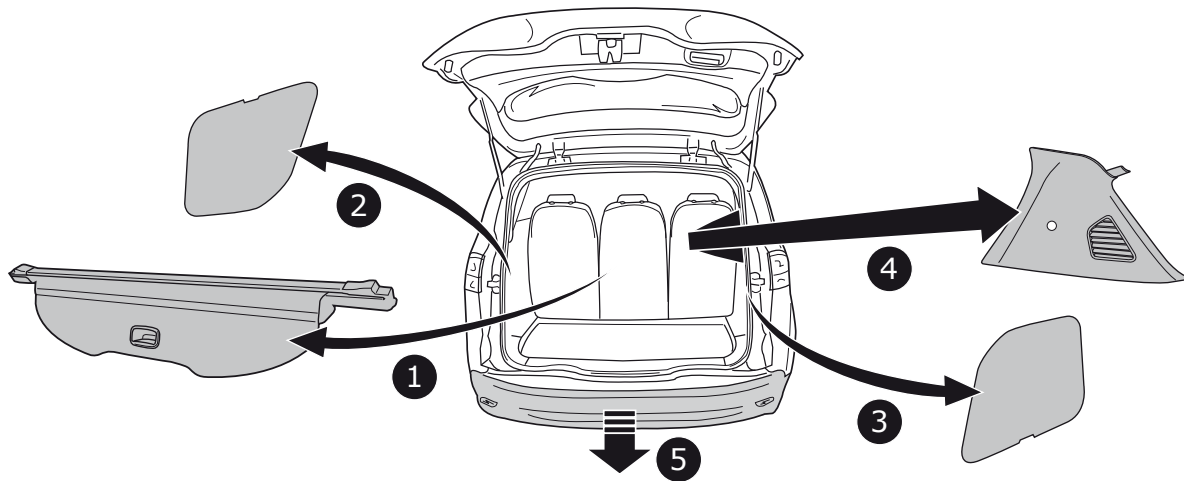


Galaxy / S-Max

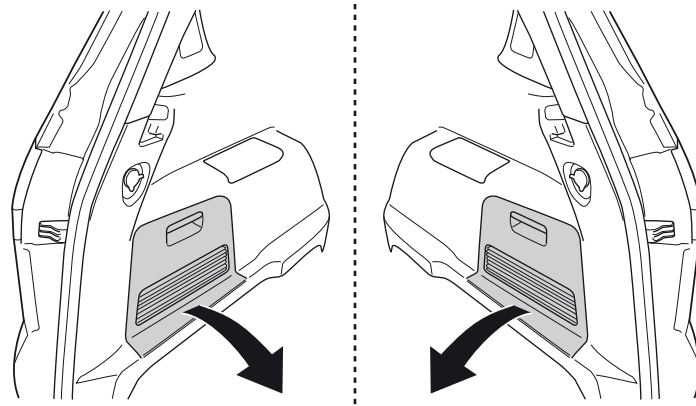
2



3

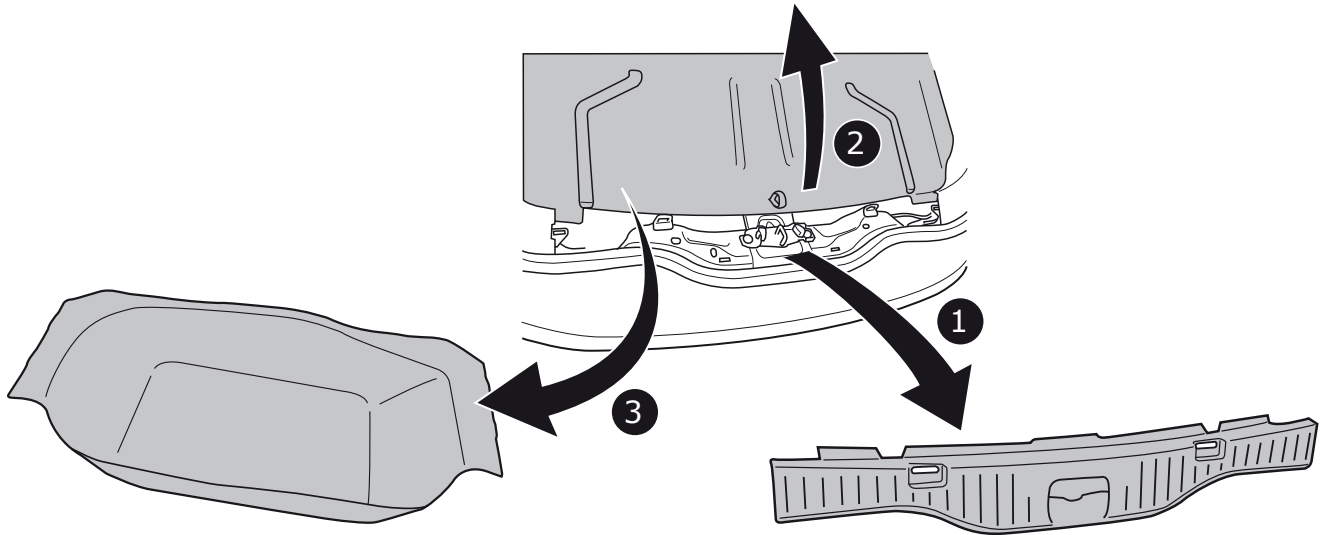


4



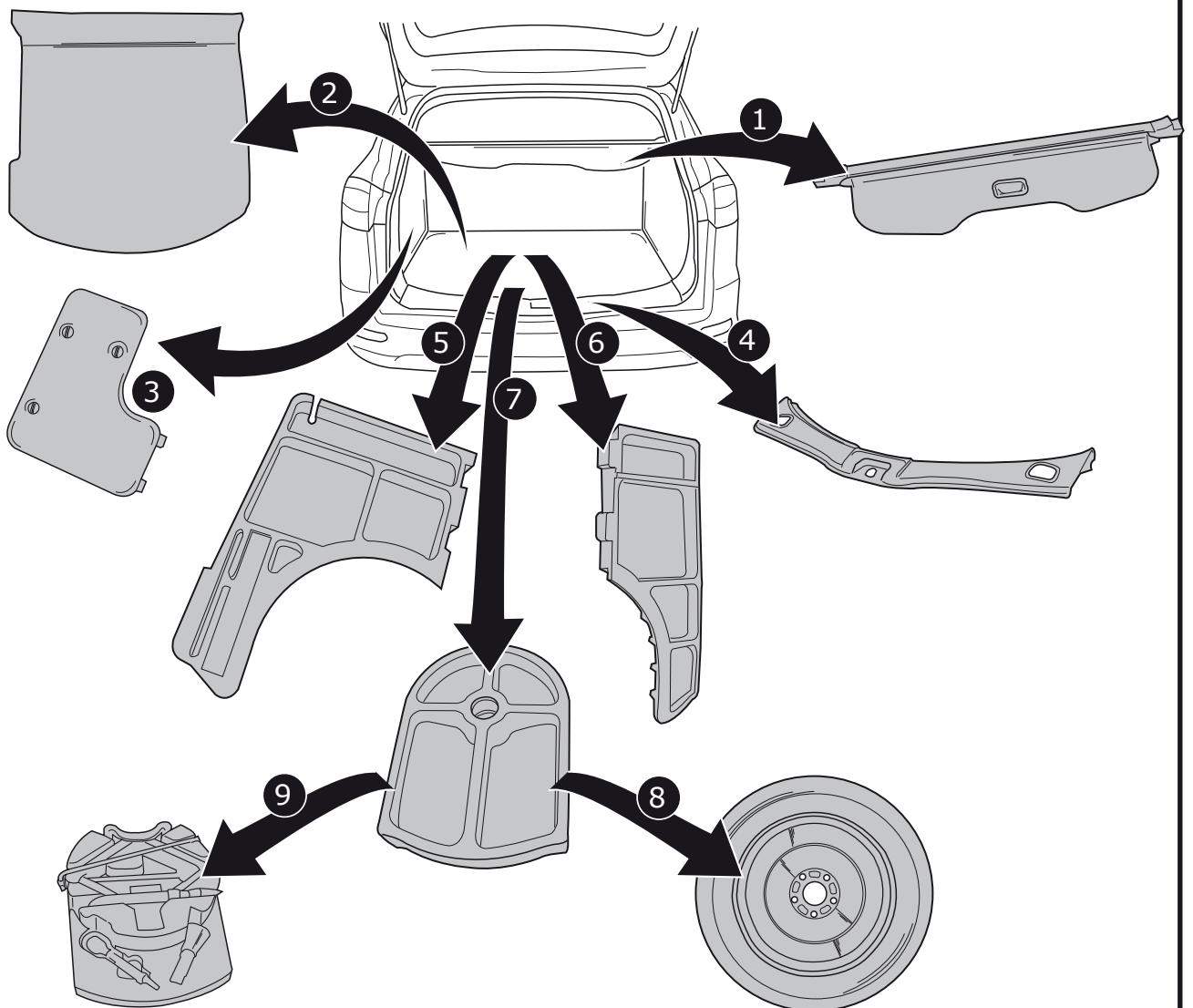
Galaxy / S-Max

5



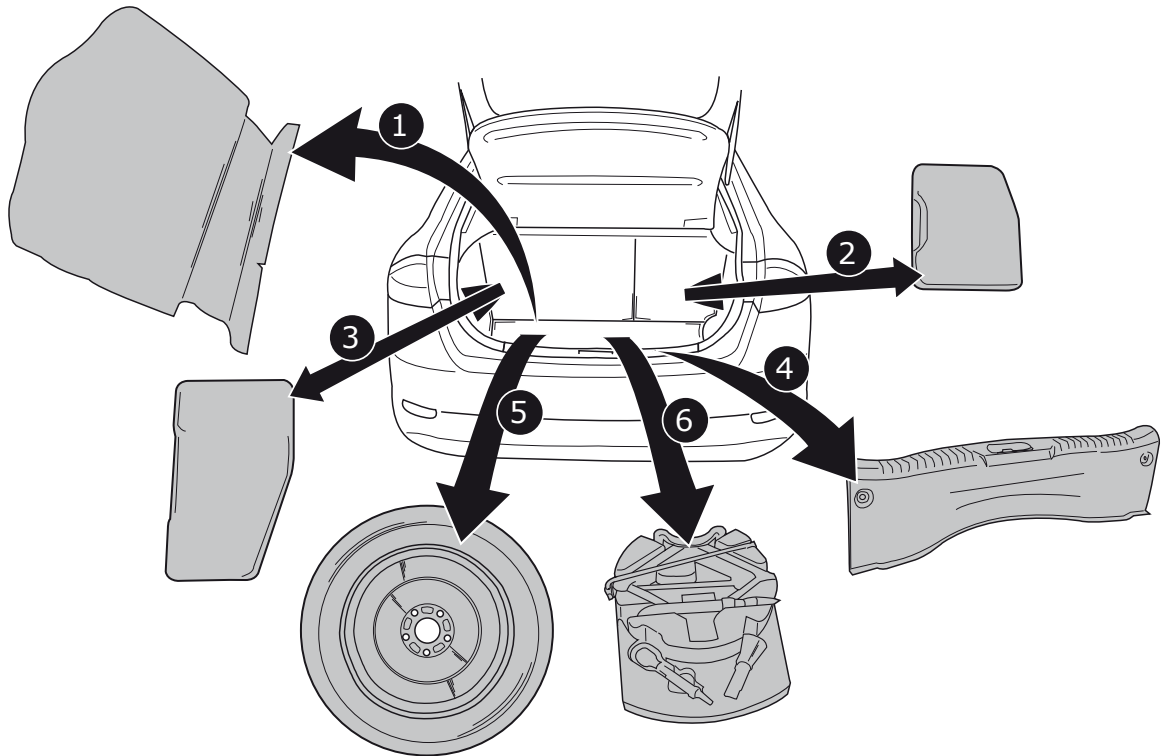
Mondeo Stationwagon

6



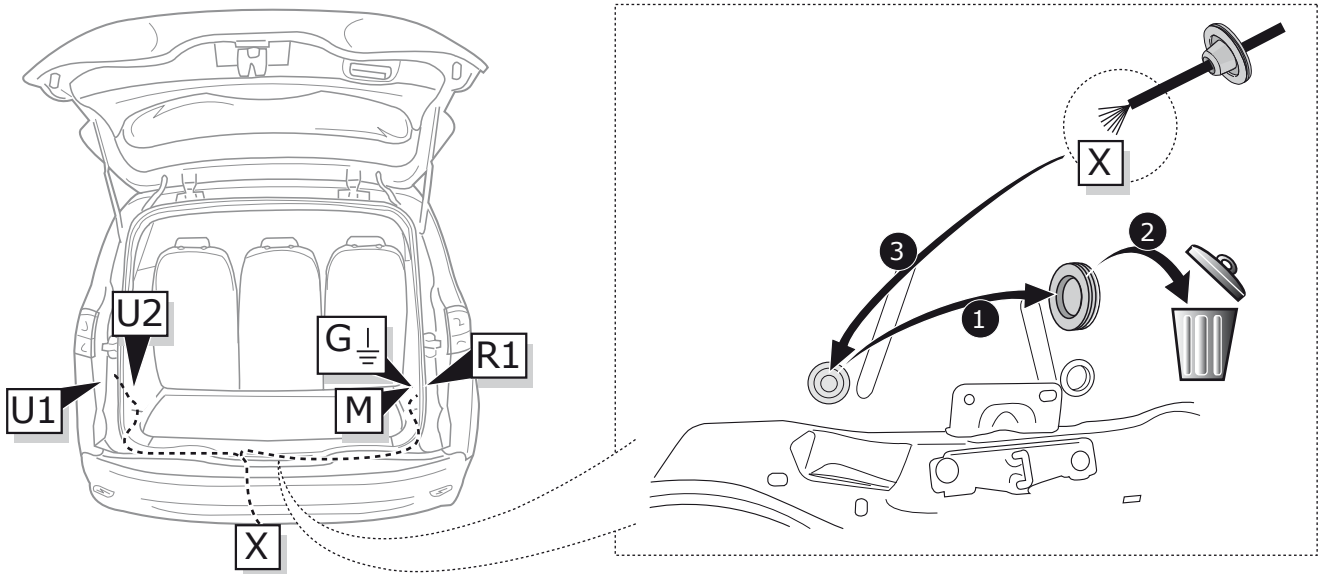
Mondeo Sedan, Hatchback

7

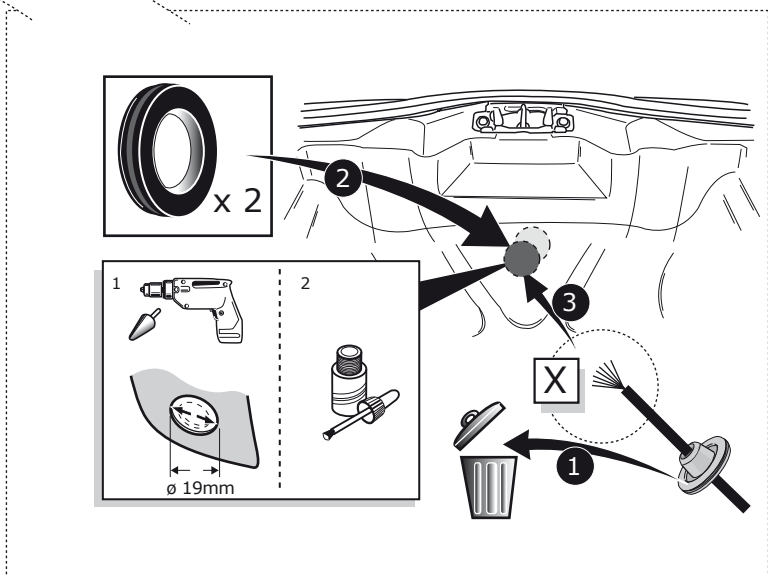
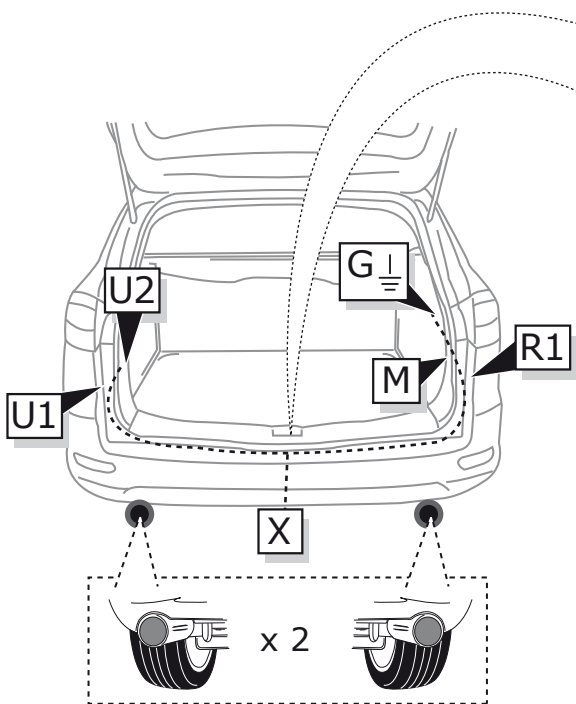
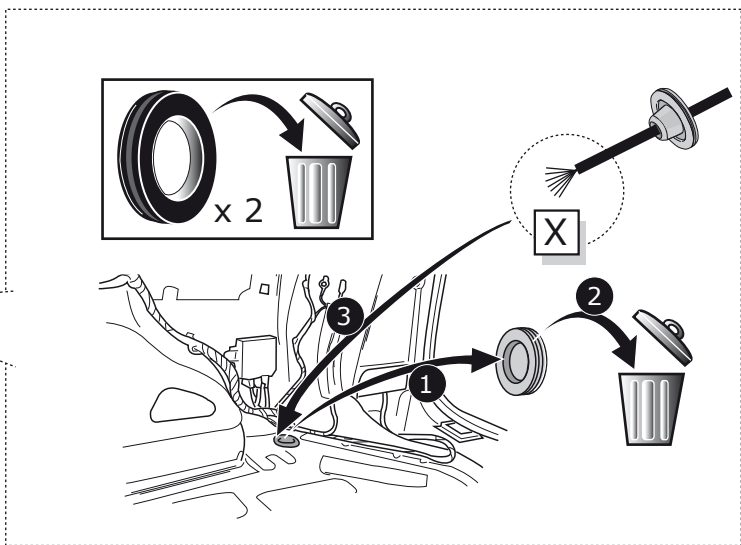
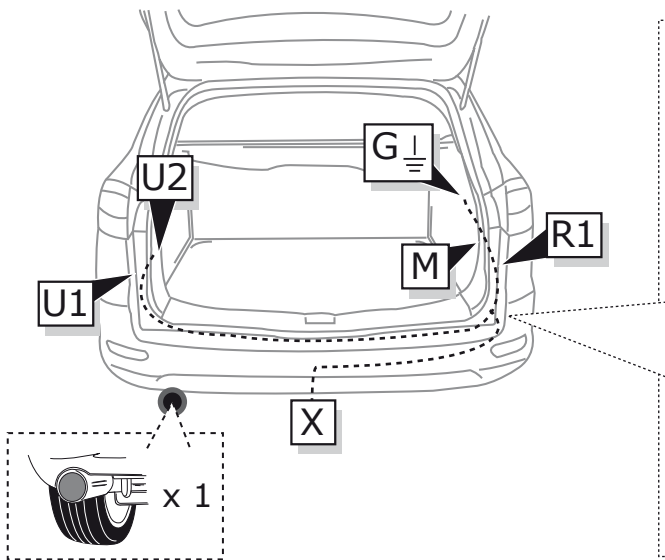


Galaxy / S-Max

ROUTING

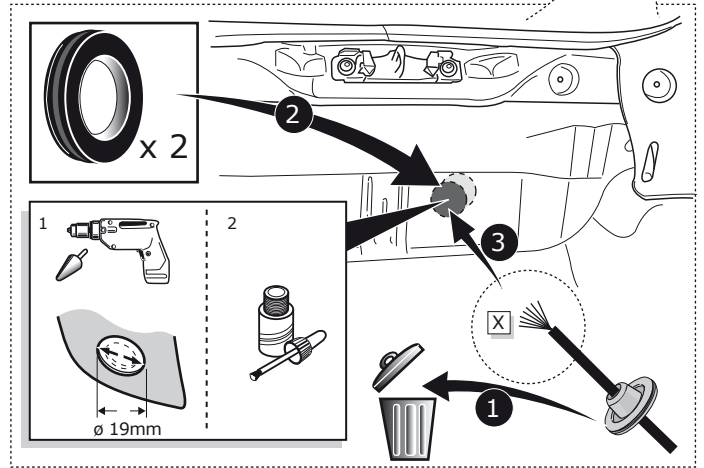
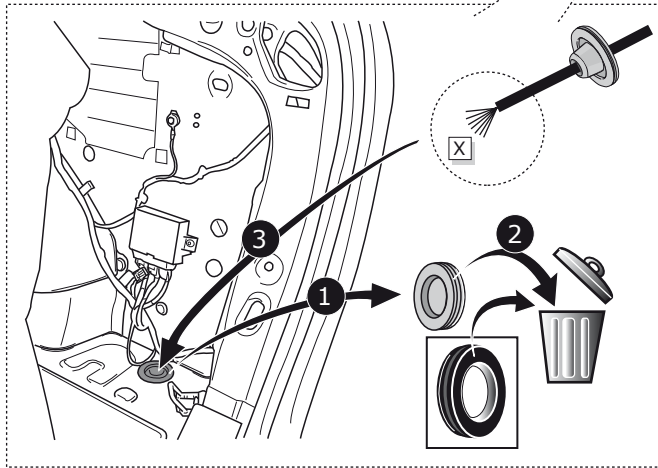
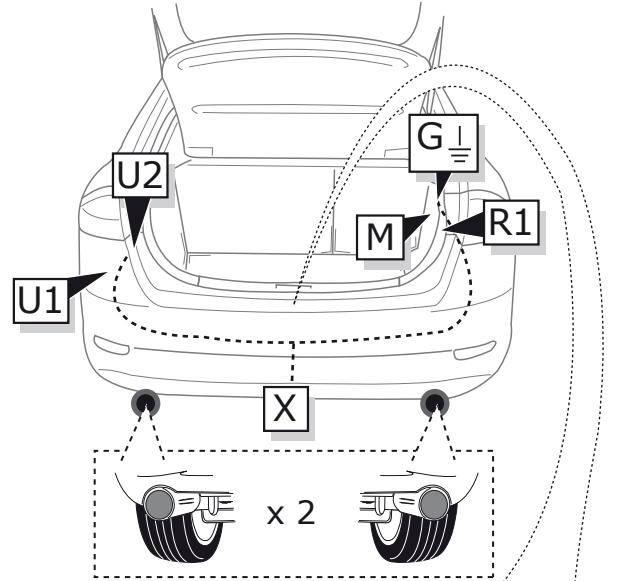
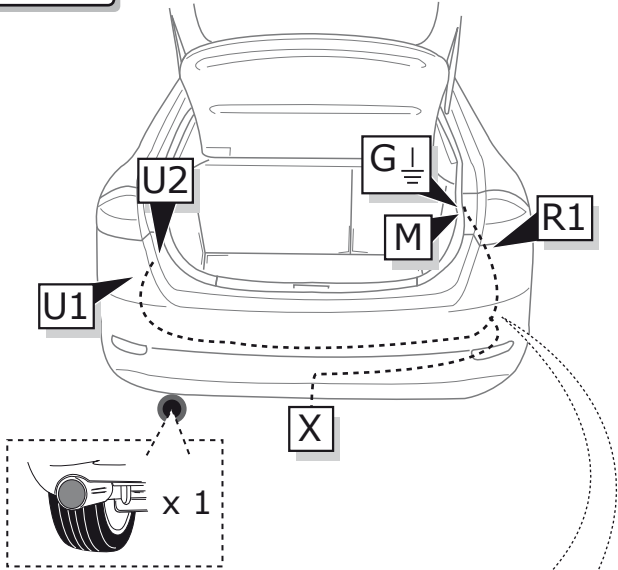


ROUTING



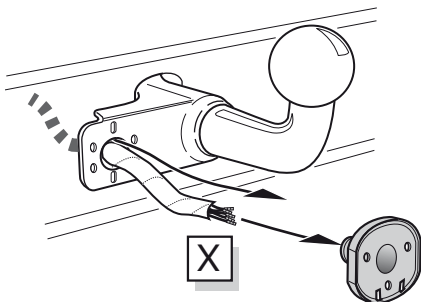
Mondeo Sedan, Hatchback

ROUTING

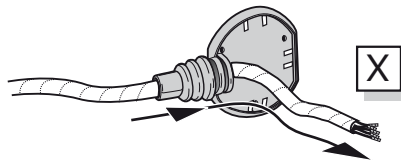


Mondeo Sedan, Hatchback, Stationwagon / Galaxy / S-Max

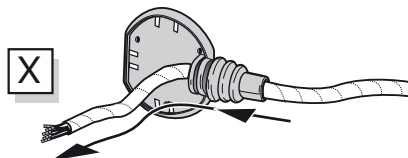
A Option 1



Option 2



Option 3



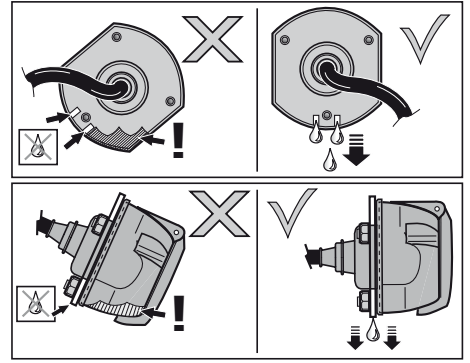
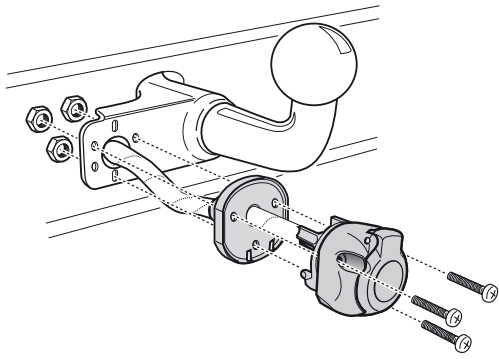
INFO

SOCKET CONNECTION

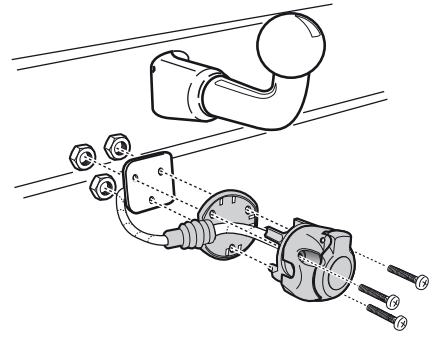
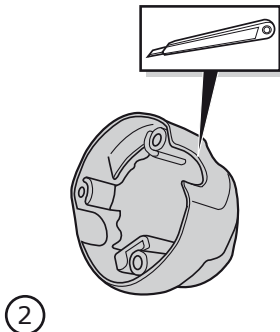
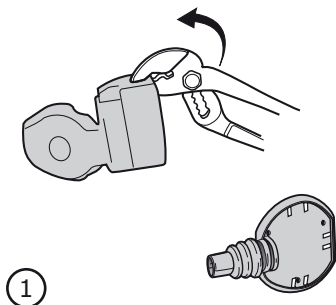


Pag. 14

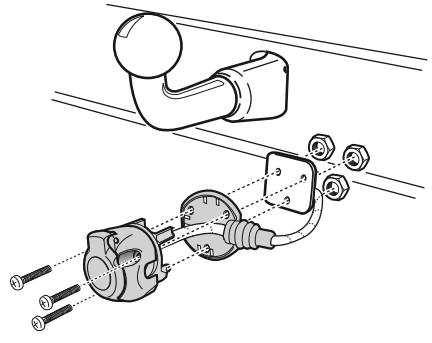
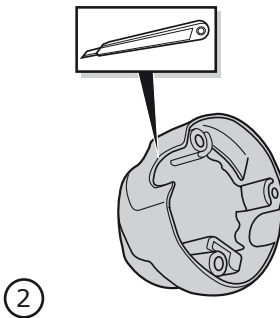
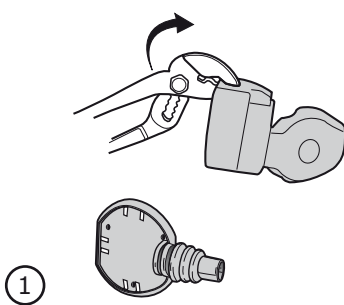
B Option 1



C Option 2

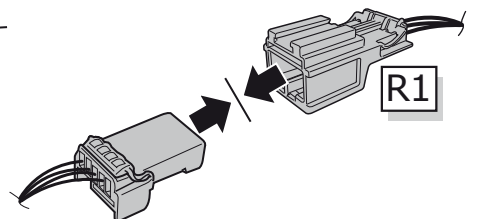
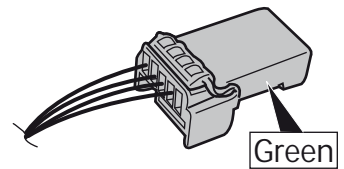
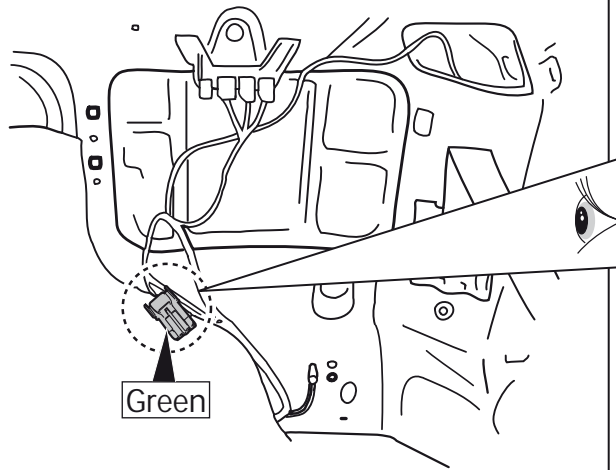
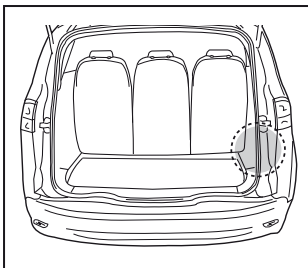


D Option 3



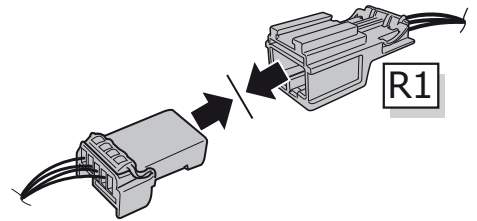
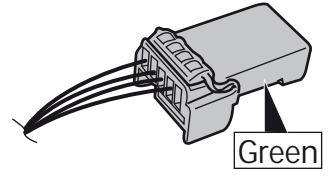
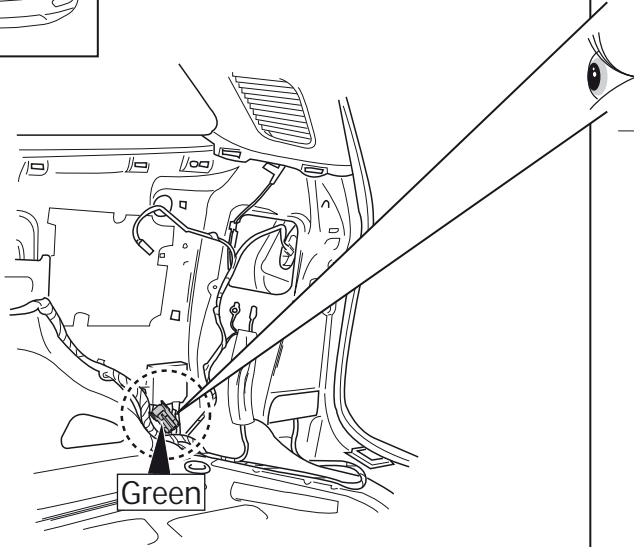
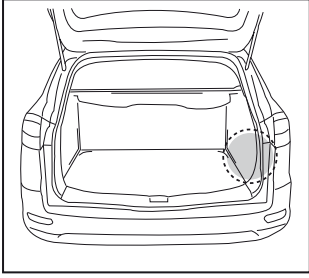
Galaxy / S-Max

8



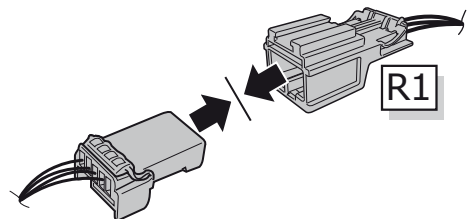
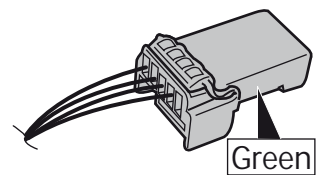
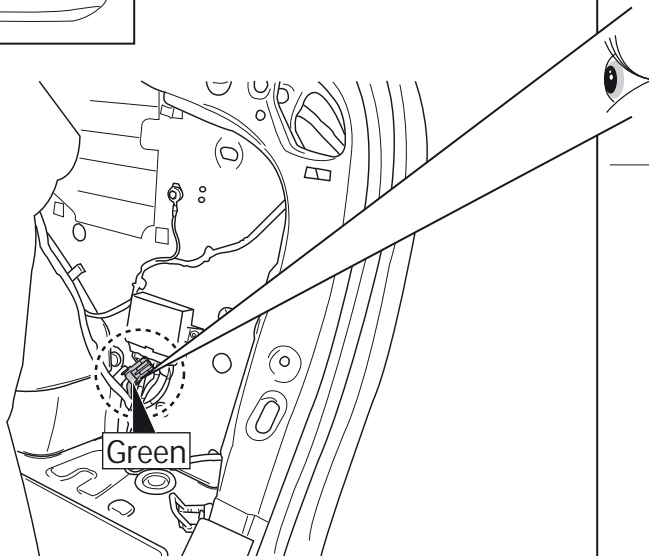
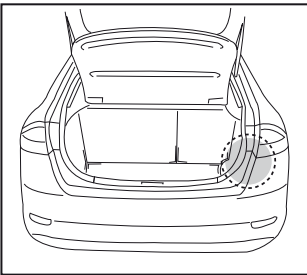
Mondeo Stationwagon

9

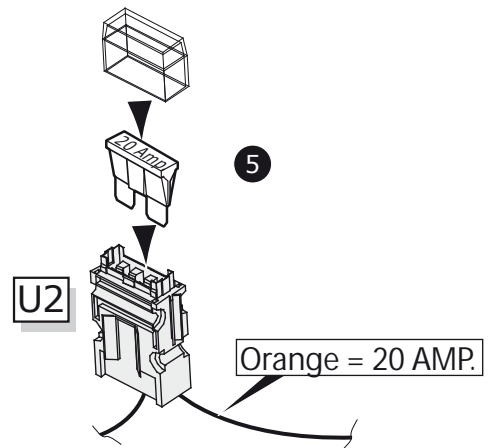
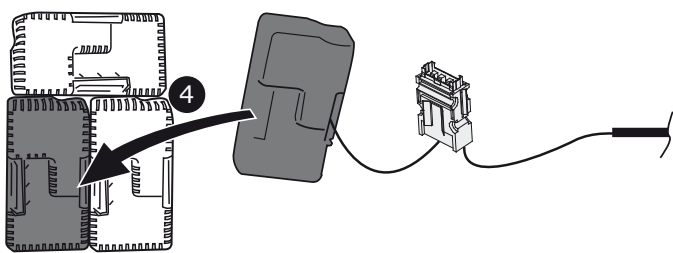
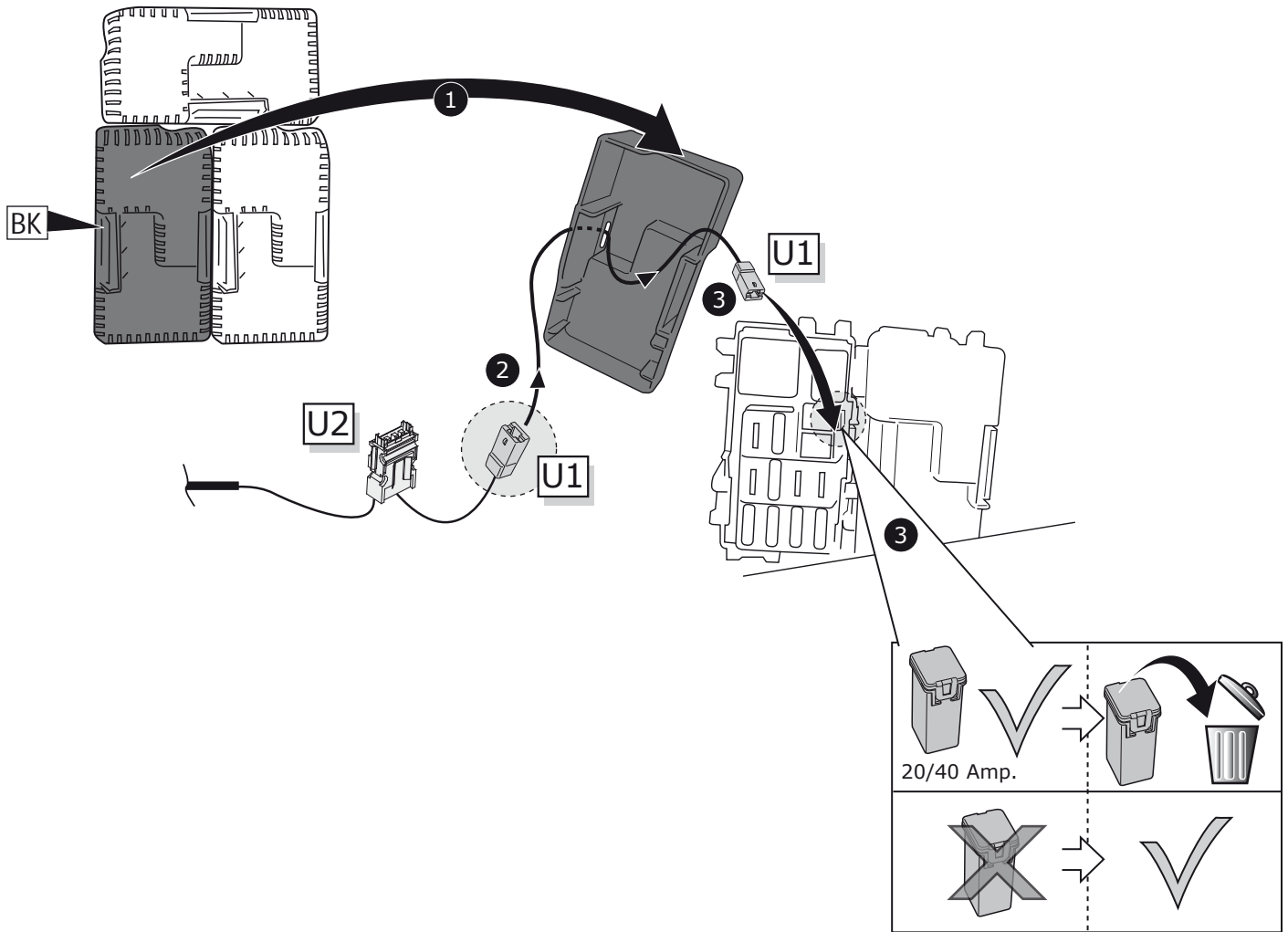
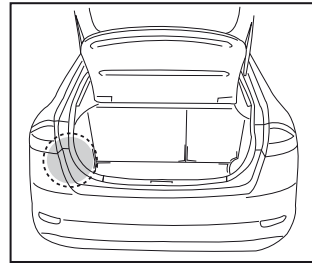
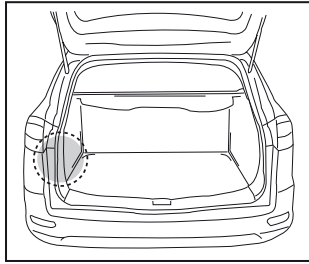
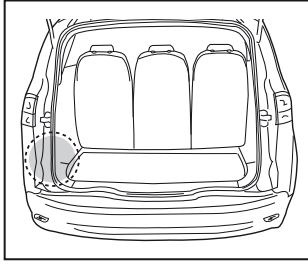


Mondeo Sedan, Hatchback

10



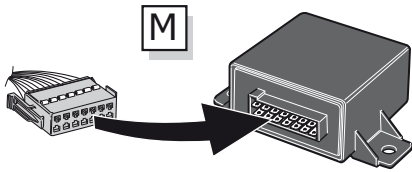
11



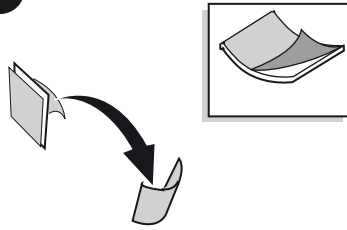
Mondeo Sedan, Hatchback, Stationwagon / Galaxy / S-Max

12

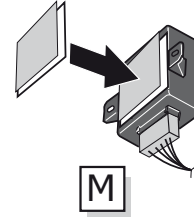
1



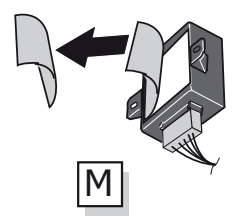
2



3

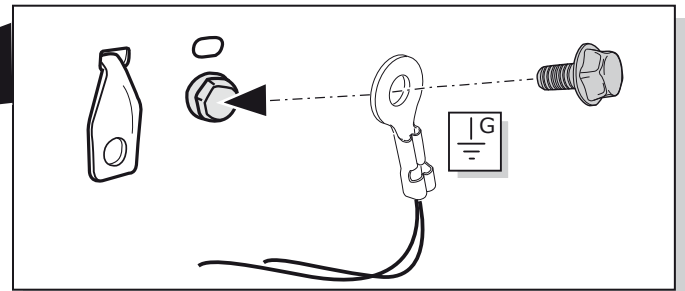
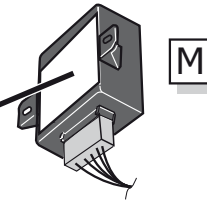
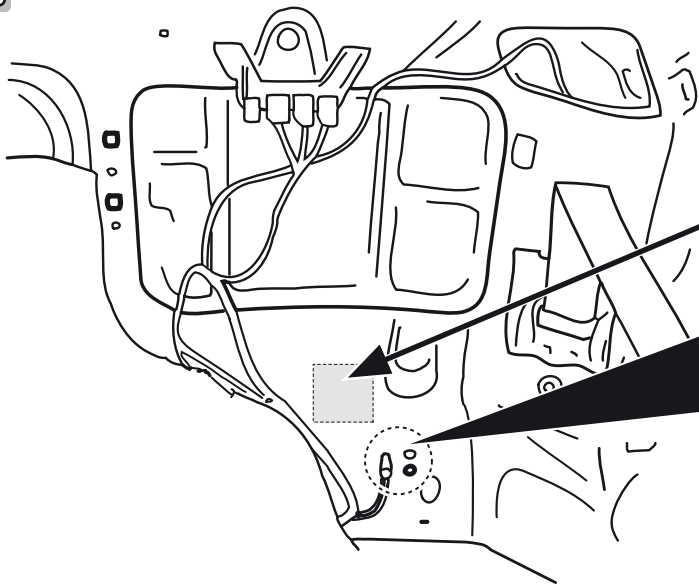


4



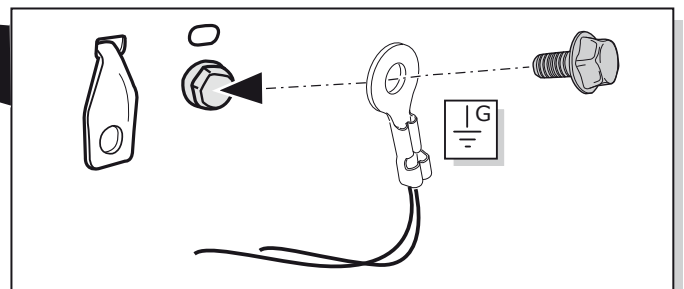
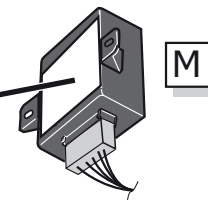
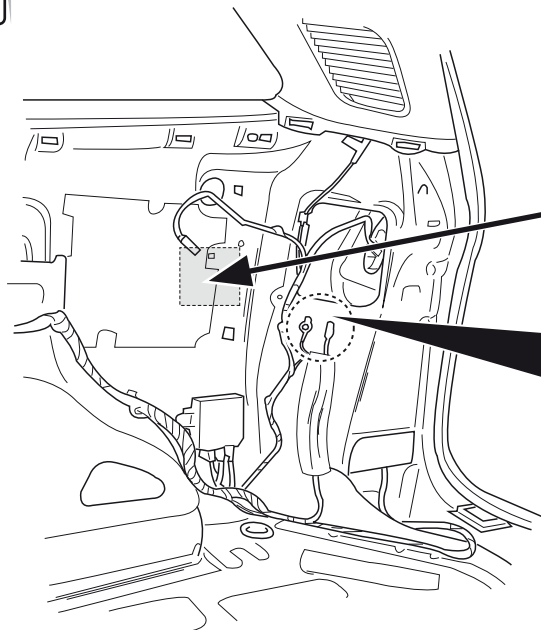
Galaxy / S-Max

13



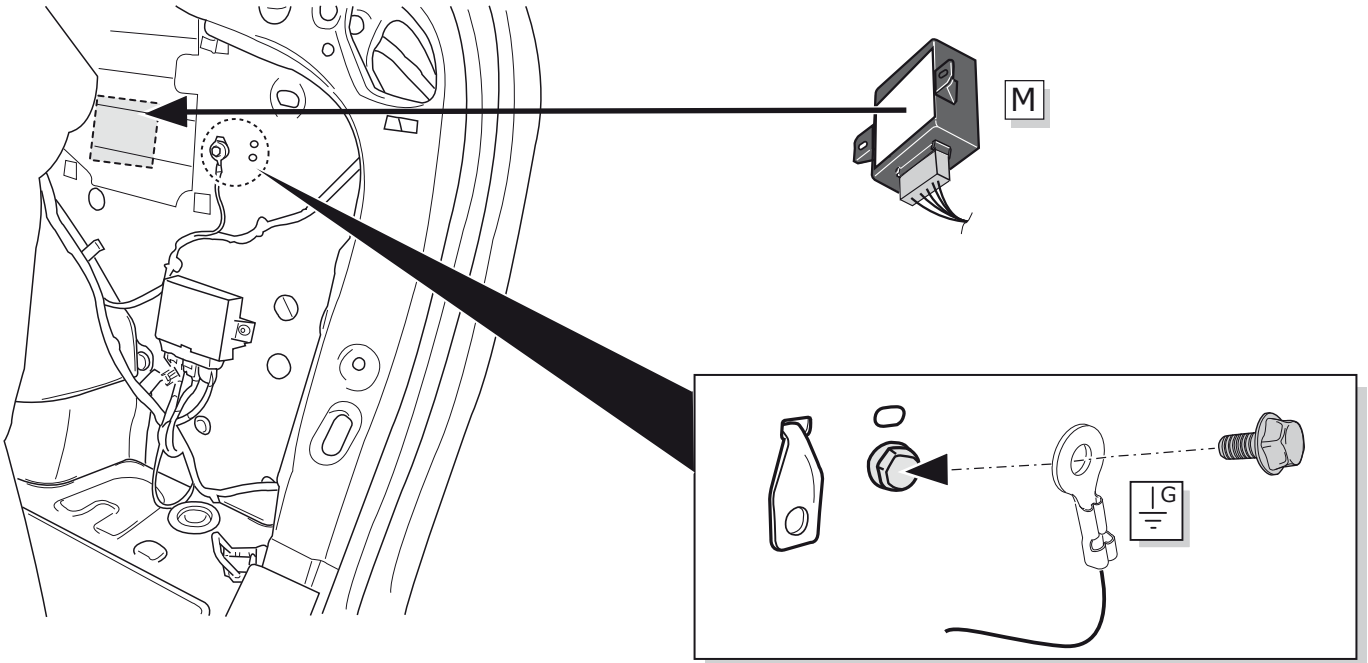
Mondeo Stationwagon

14



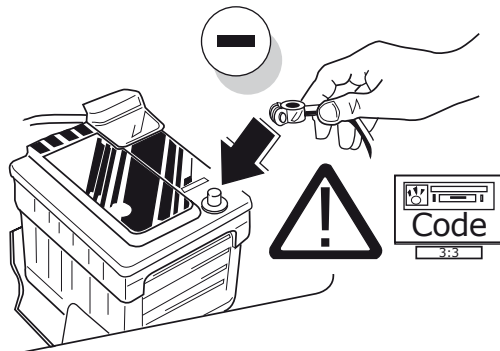
Mondeo Sedan, Hatchback

15



Mondeo Sedan, Hatchback, Stationwagon / Galaxy / S-Max

16



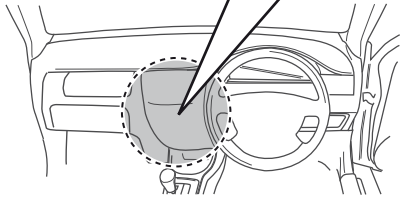
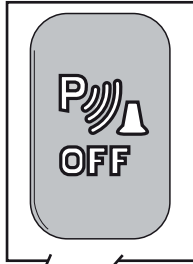
17



18

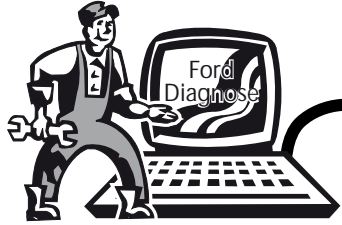
Option 1

Manual PDC



Option 2

Auto PDC



19

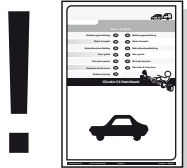
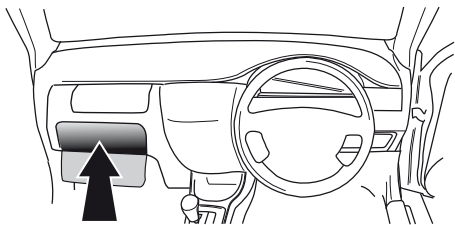


TEST ALL THE CIRCUITS WITH A TEST DEVICE WITH THE CORRECT POWER LOAD FOR EACH FUNCTION. A TEST DEVICE WITH LED'S CANNOT BE USED FOR THIS PURPOSE.

INFO

REINSTALL TRIM.

20





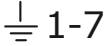




User guide

TECHNICAL SUPPORT

CALL 07440 202 052

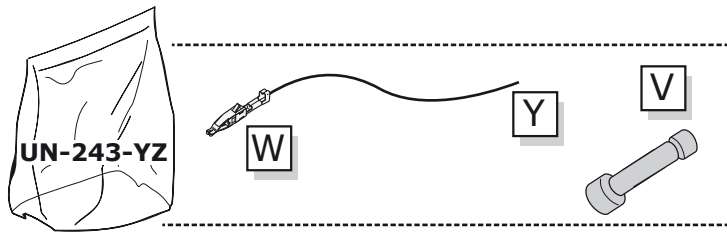
ECS ELECTRONICS MONDAY TO FRIDAY
08.00 - 11.00 am
12.00 - 05.00 pm
ukts@ecs-electronics.com
www.ecs-electronicsuk.co.uk

SOCKET CONNECTION

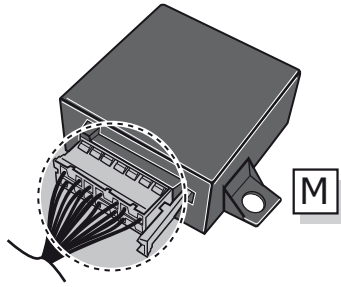
DIN/ISO 1724							
	1/L	2	3/31	4/R	5/58-R	6/54	7/58-L
Pmax	21W	21W		21W	42W	3x21W	42W
Colour	Yellow	Blue	White	Green	Brown	Red	Black

UN-243-YZ Reverse lamp pre-wire extension

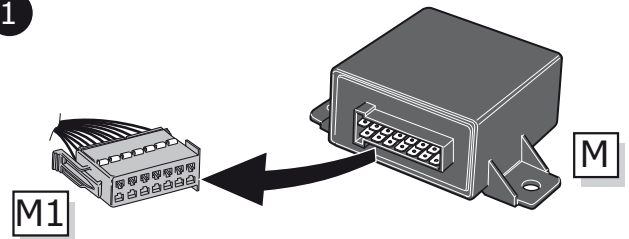
⚠ MAX = 21W



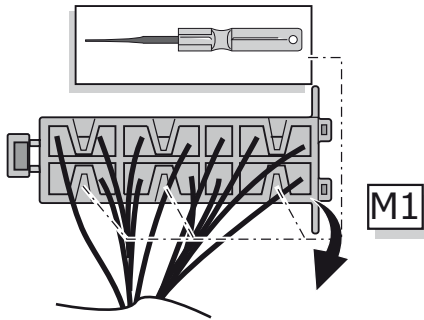
A



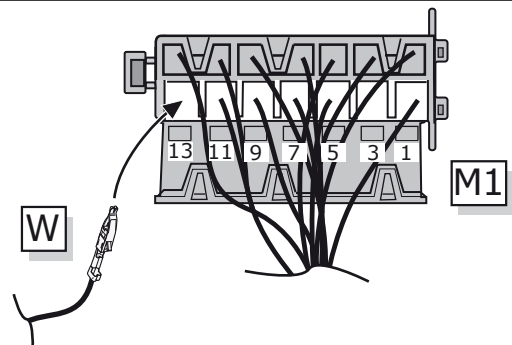
1



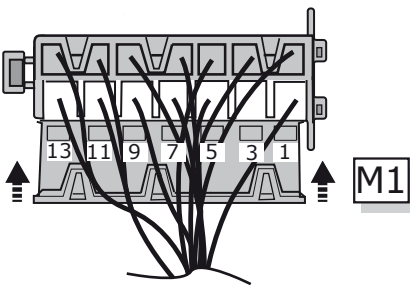
2



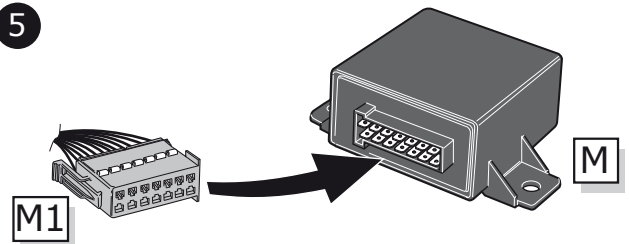
3



4



5



B

⚠ MAX = 21W

