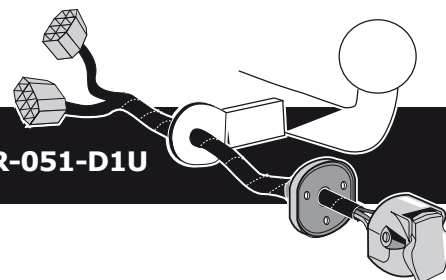


Ford Mondeo Sedan, Hatchback, Stationwagon 06/2007 >>
Ford S-Max 03/2006 >>
Ford Galaxy 06/2006 >>

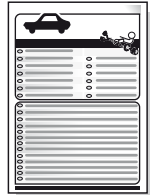
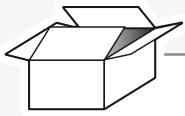
Partnr.: FR-051-D1U



- Fitting instructions electric wiring kit tow bar with 13-P socket up to DIN/ISO Norm 11446.
- We would expressly point out that assembly not carried out properly by a competent installer will result in cancellation of any right to damage compensation, in particular those arising by virtue of the product liability act.
- Contents of these kits and their fitting manuals are subject to alteration without notice, please ensure that these instructions are read and fully understood before commencing installation.
- Do not overload circuits; the maximum loads per connection are detailed in this manual.
- Attention! Before Installation, please read this manual carefully and inform your customer to consult the vehicle owners manual to check for any vehicle modifications required before towing.
- In the event of functional problems, troubleshooting must be limited to about 0.5 hours, contact the technical support:
ukts@ecs-electronics.com / 07440 202 052.



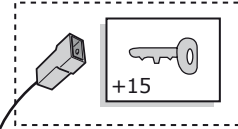
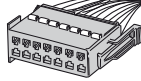
Part list



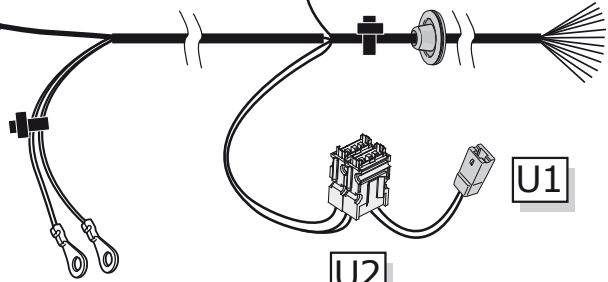
R1



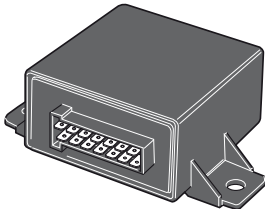
M



X



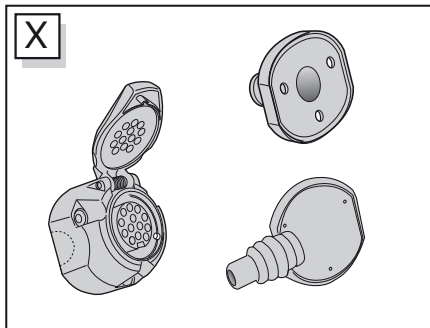
M



G

U2

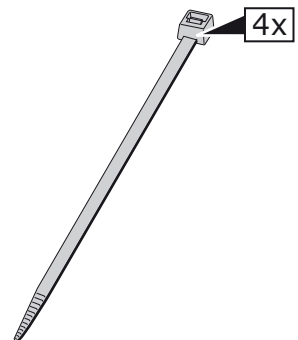
U1



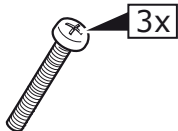
X



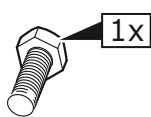
1x



4x



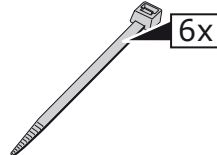
3x



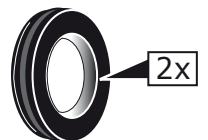
1x



3x



6x



2x



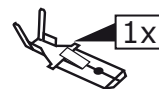
1x



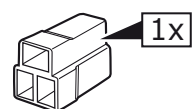
1x



2x

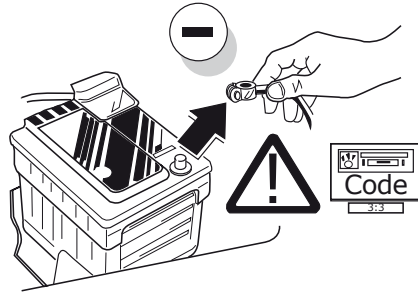


1x



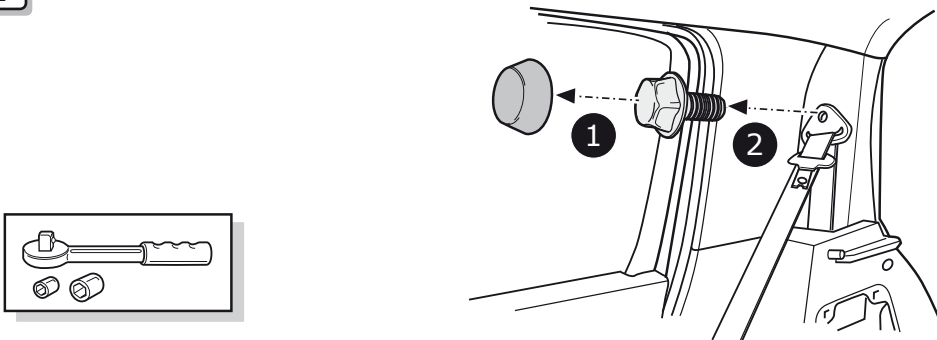
1x

1

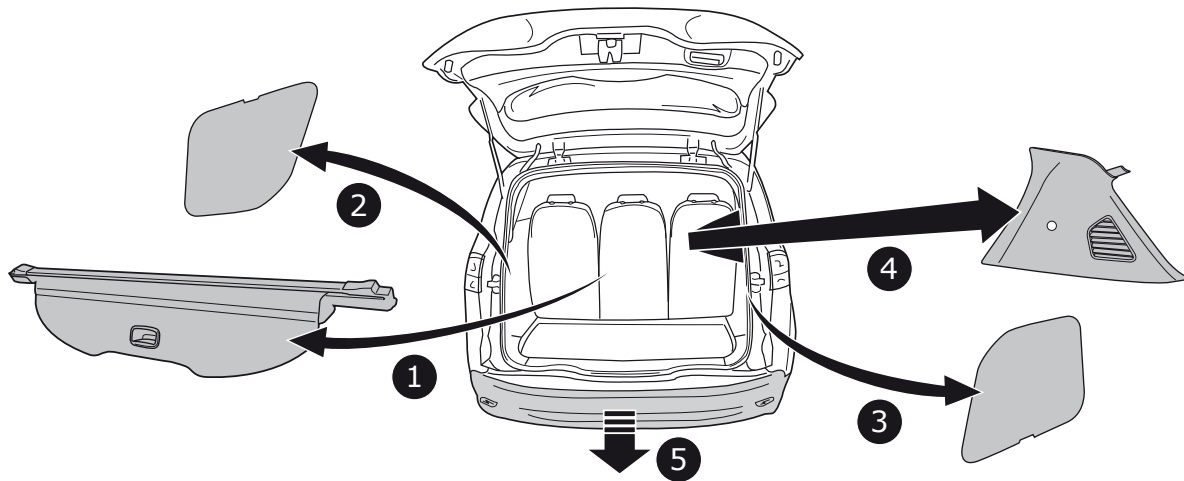


Galaxy / S-Max

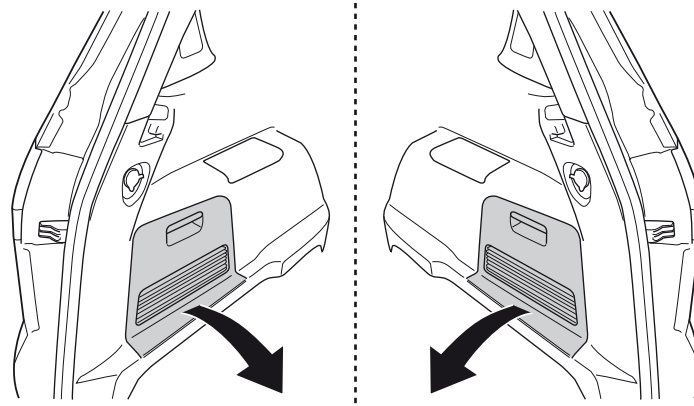
2



3

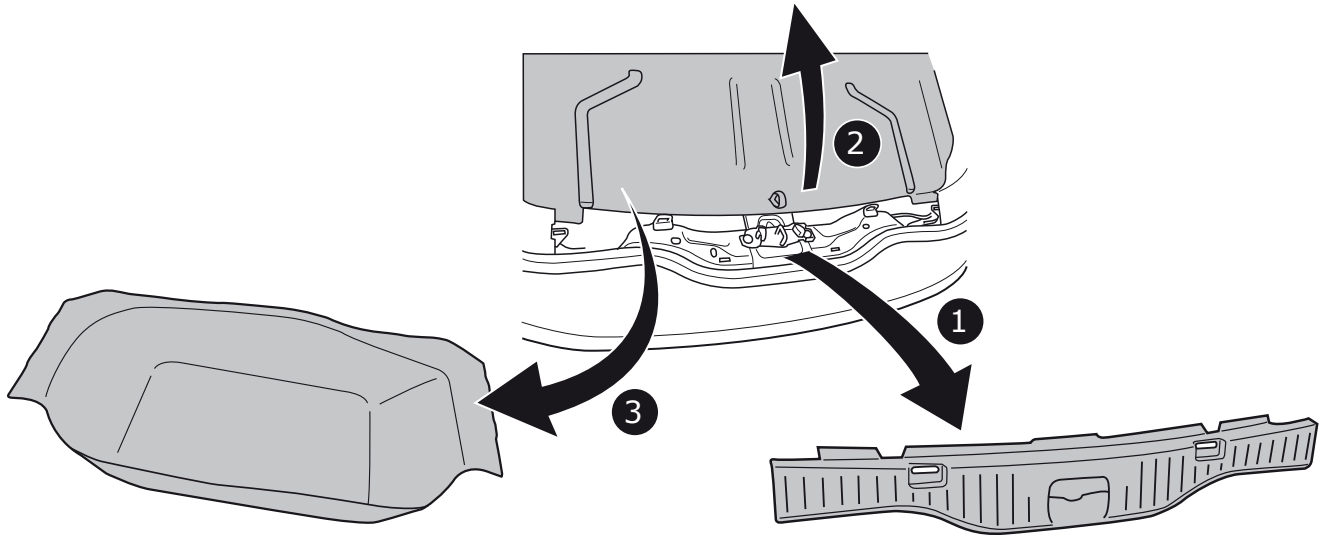


4



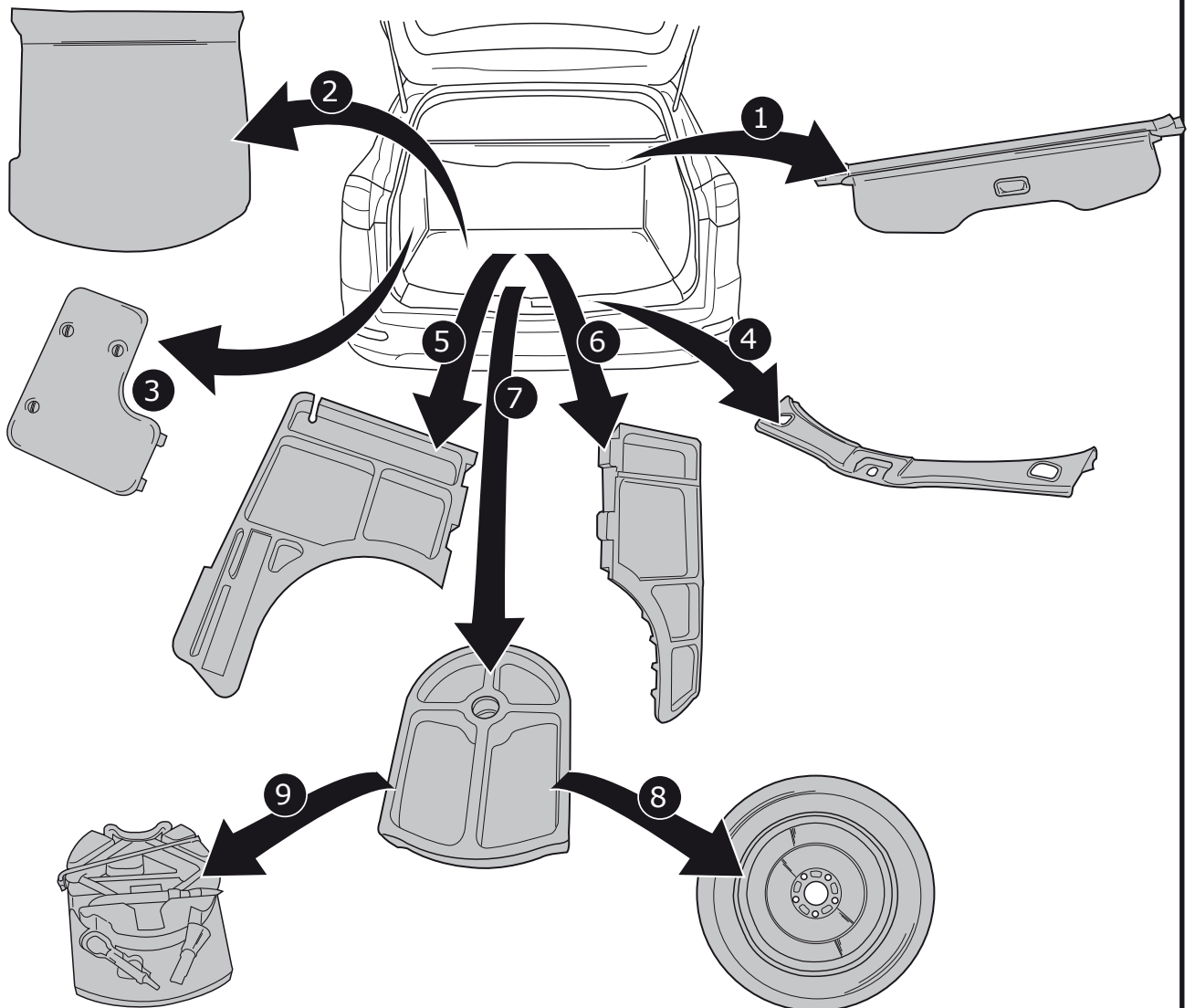
Galaxy / S-Max

5



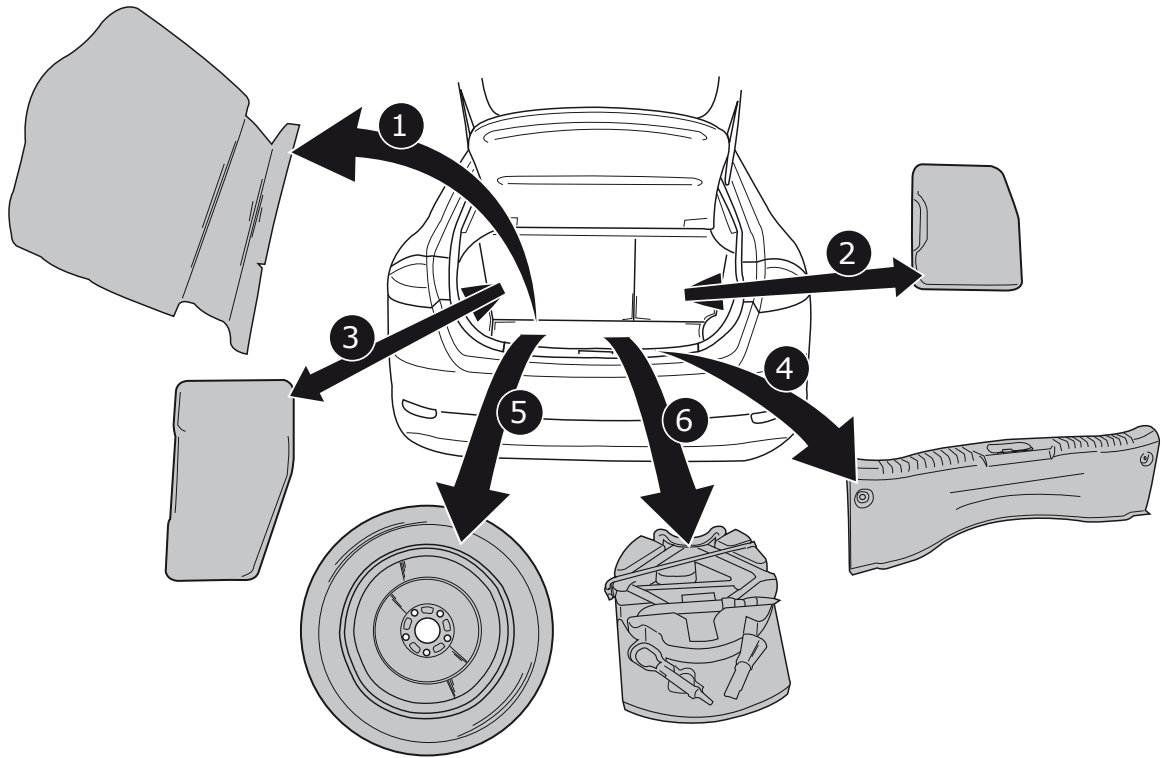
Mondeo Stationwagon

6



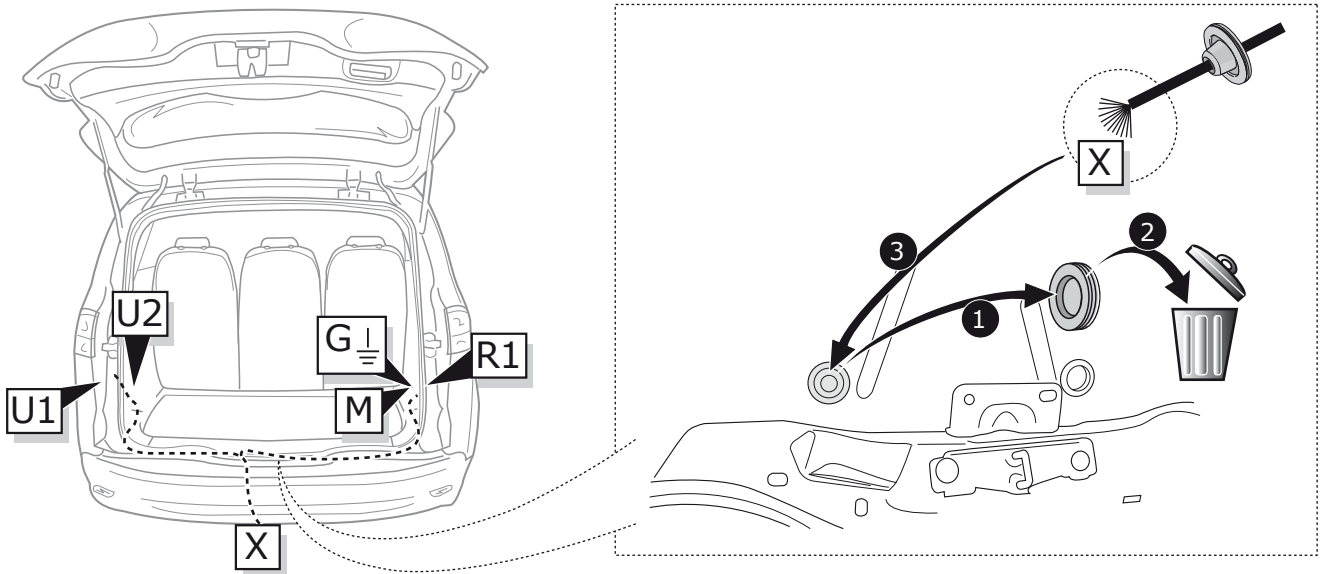
Mondeo Sedan, Hatchback

7

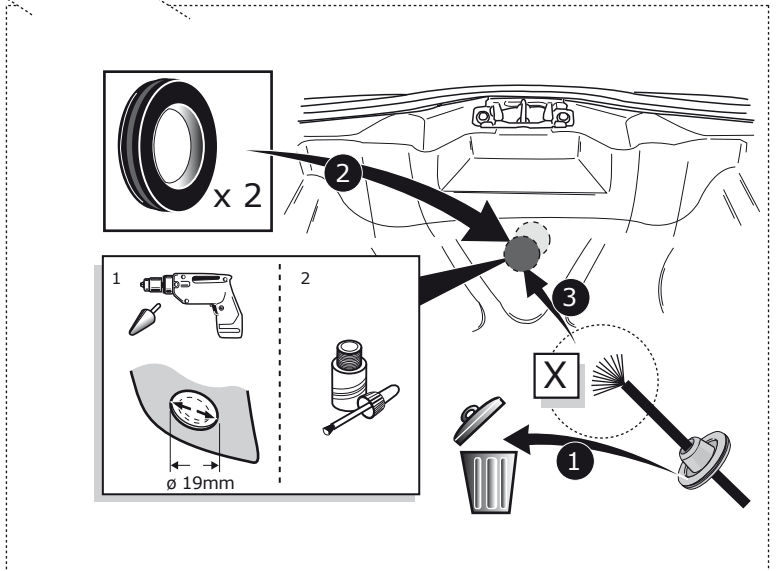
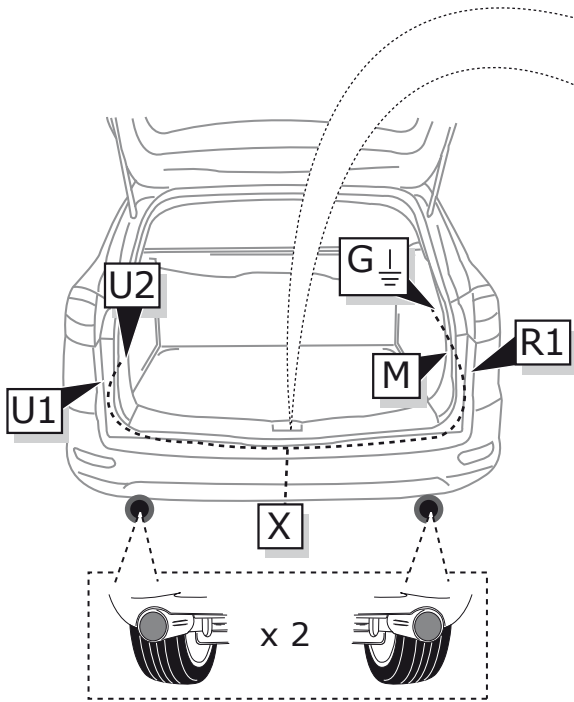
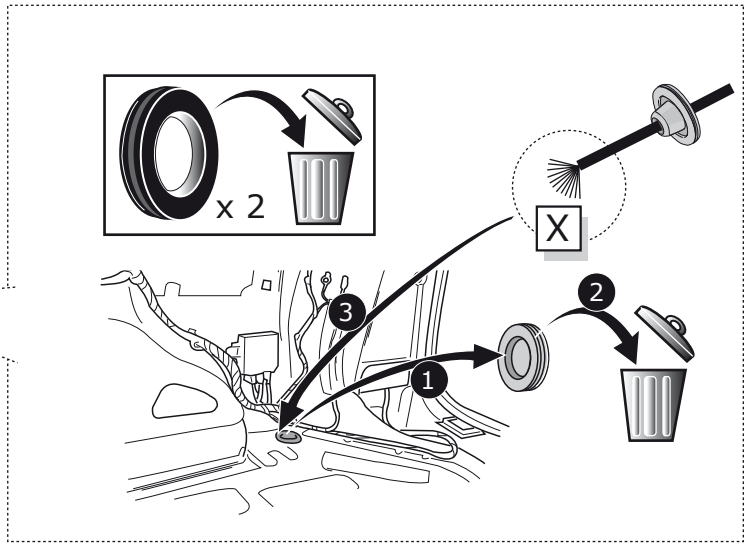
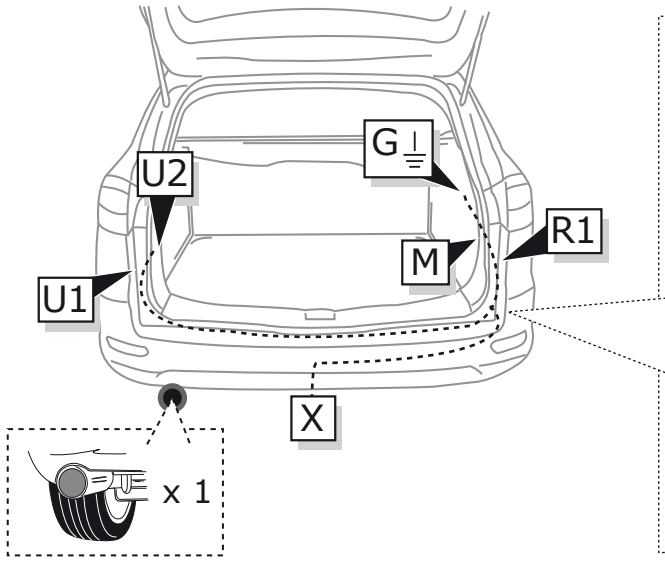


Galaxy / S-Max

ROUTING

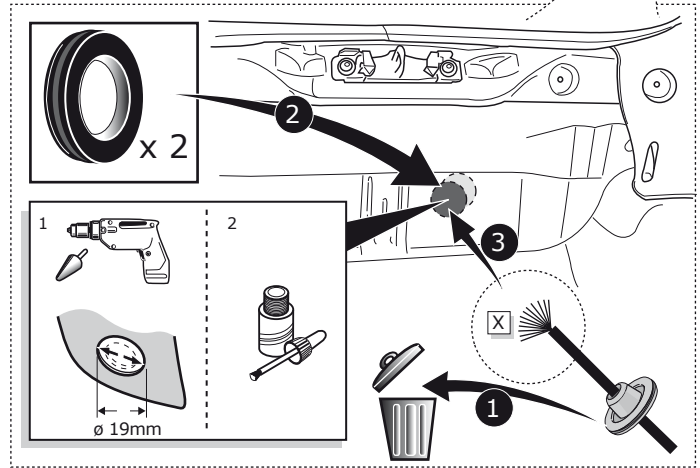
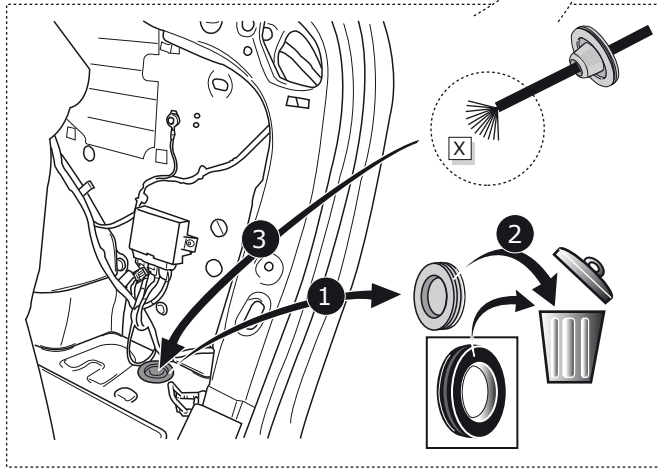
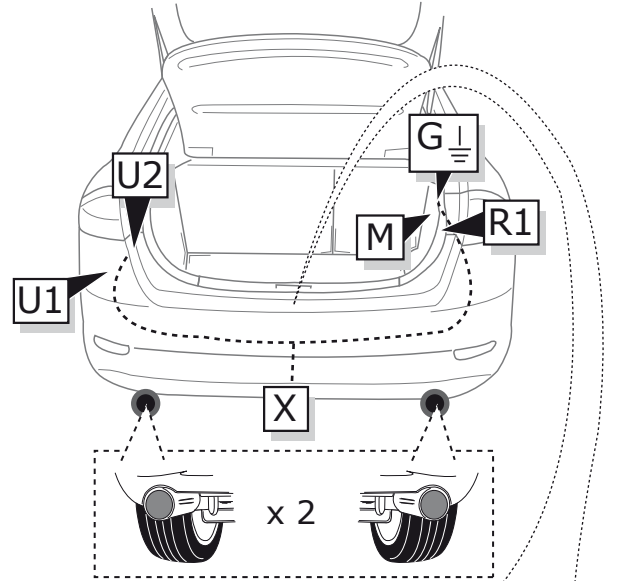
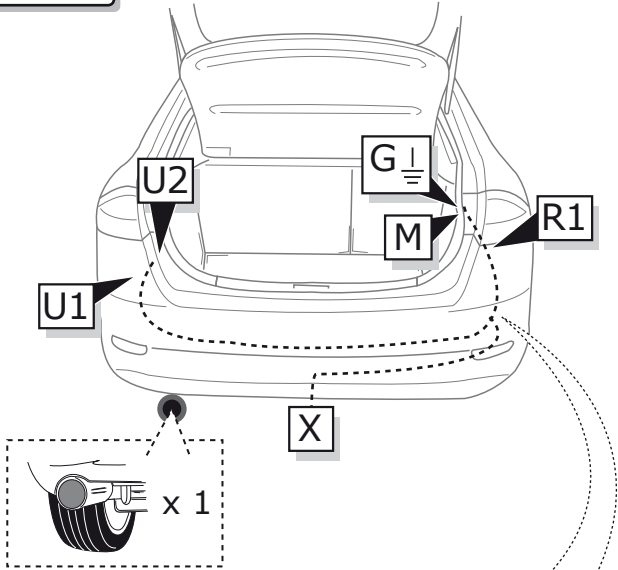


ROUTING



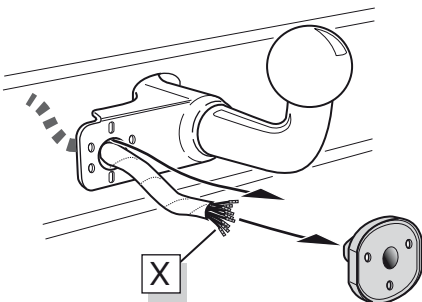
Mondeo Sedan, Hatchback

ROUTING

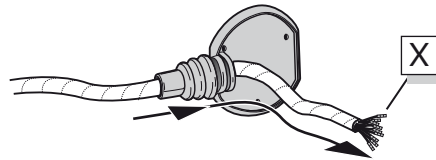


Mondeo Sedan, Hatchback, Stationwagon / Galaxy / S-Max

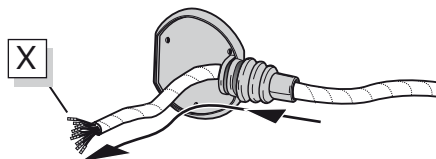
A Option 1



Option 2



Option 3



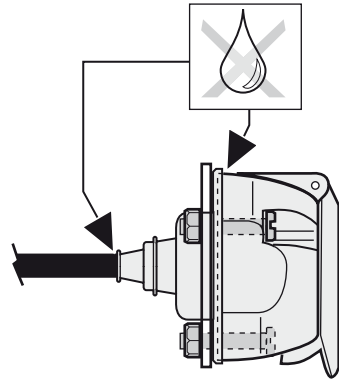
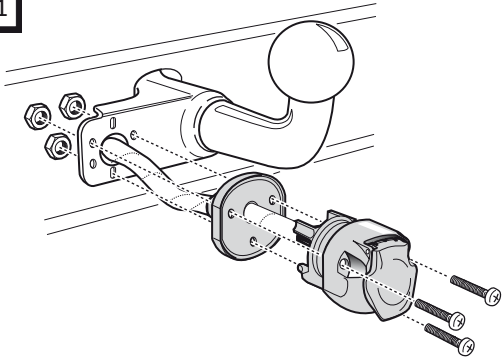
INFO

SOCKET CONNECTION

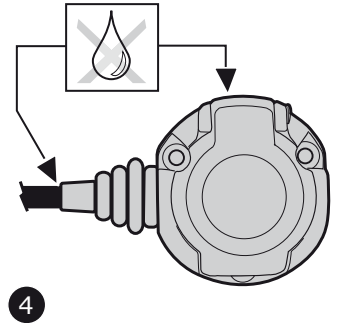
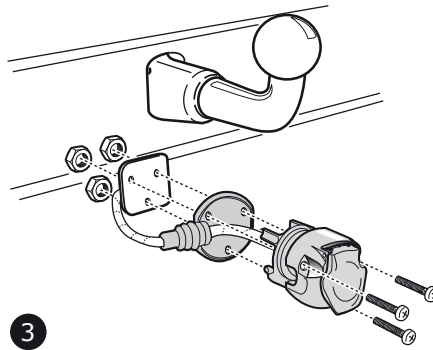
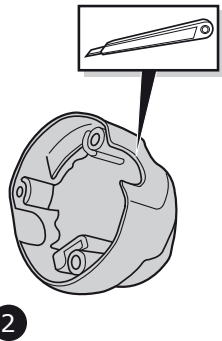
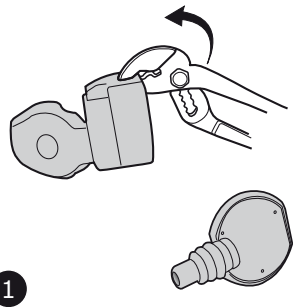


Pag. 14

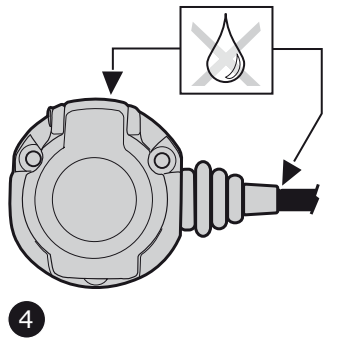
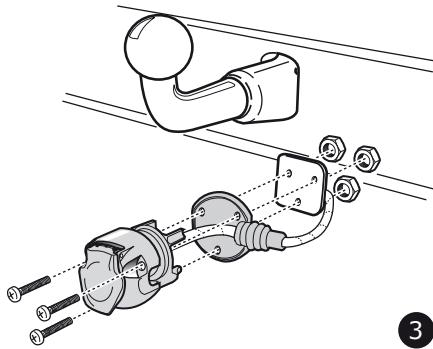
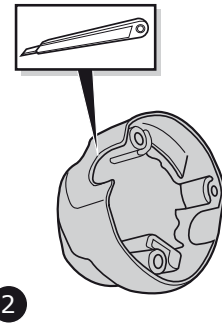
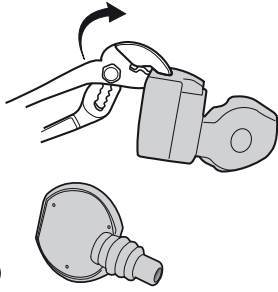
B Option 1



C Option 2

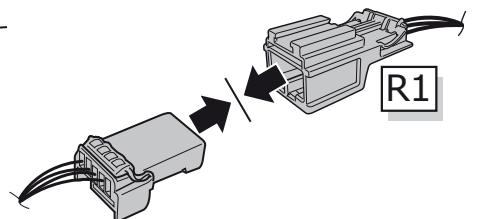
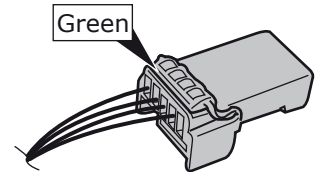
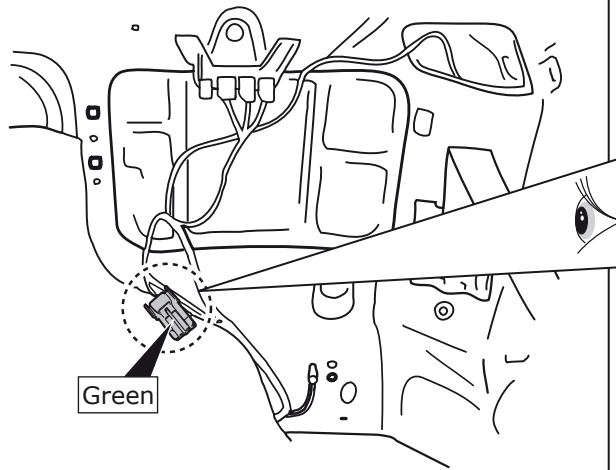
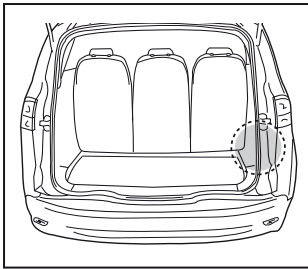


D Option 3



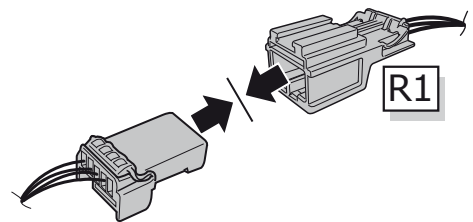
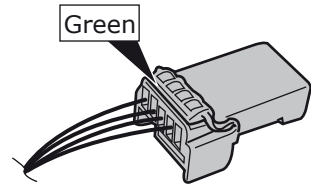
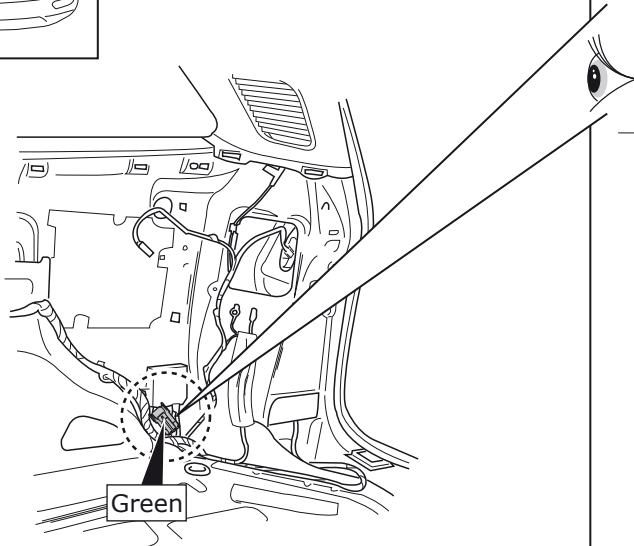
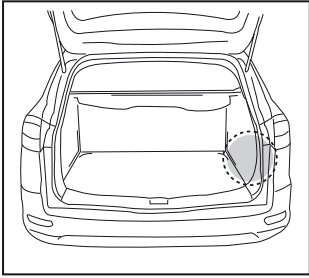
Galaxy / S-Max

8



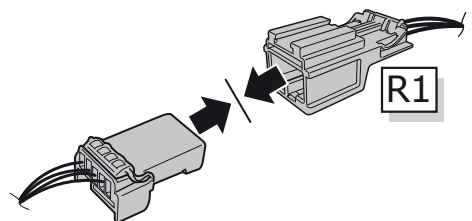
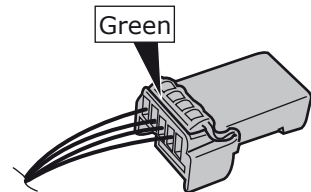
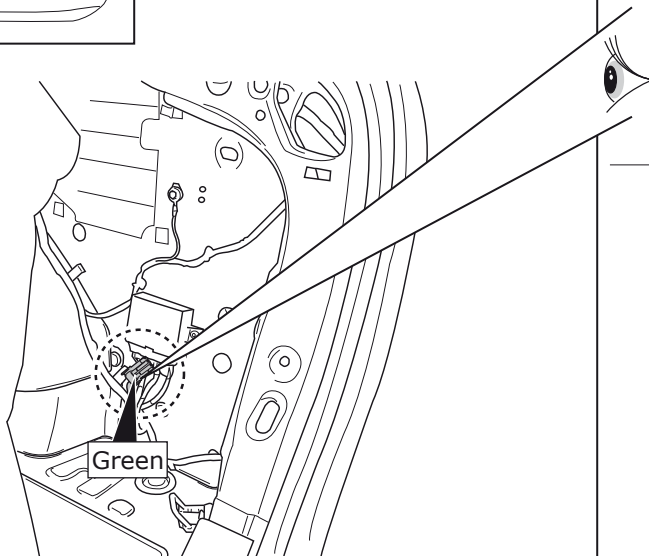
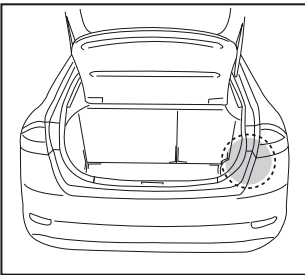
Mondeo Stationwagon

9

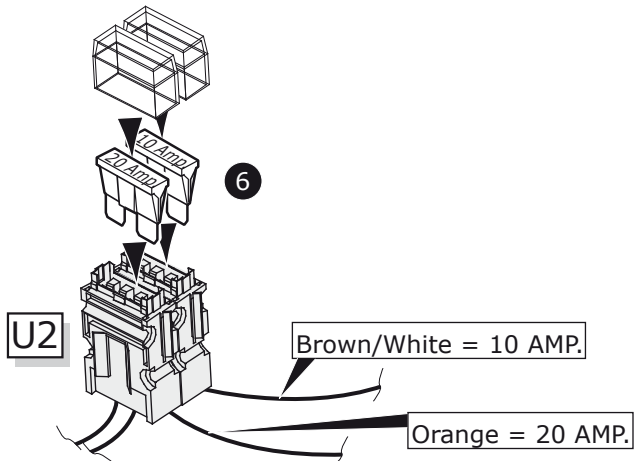
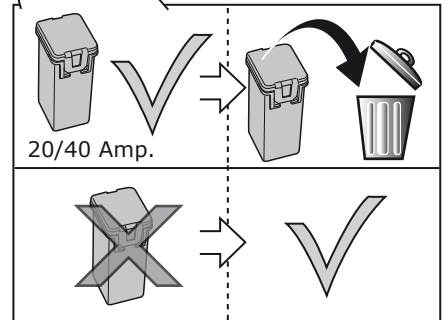
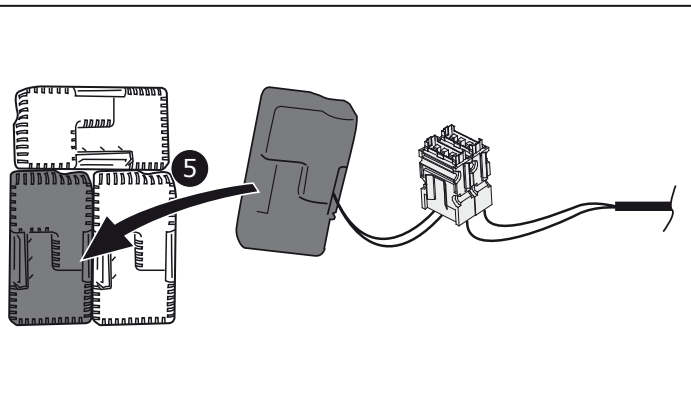
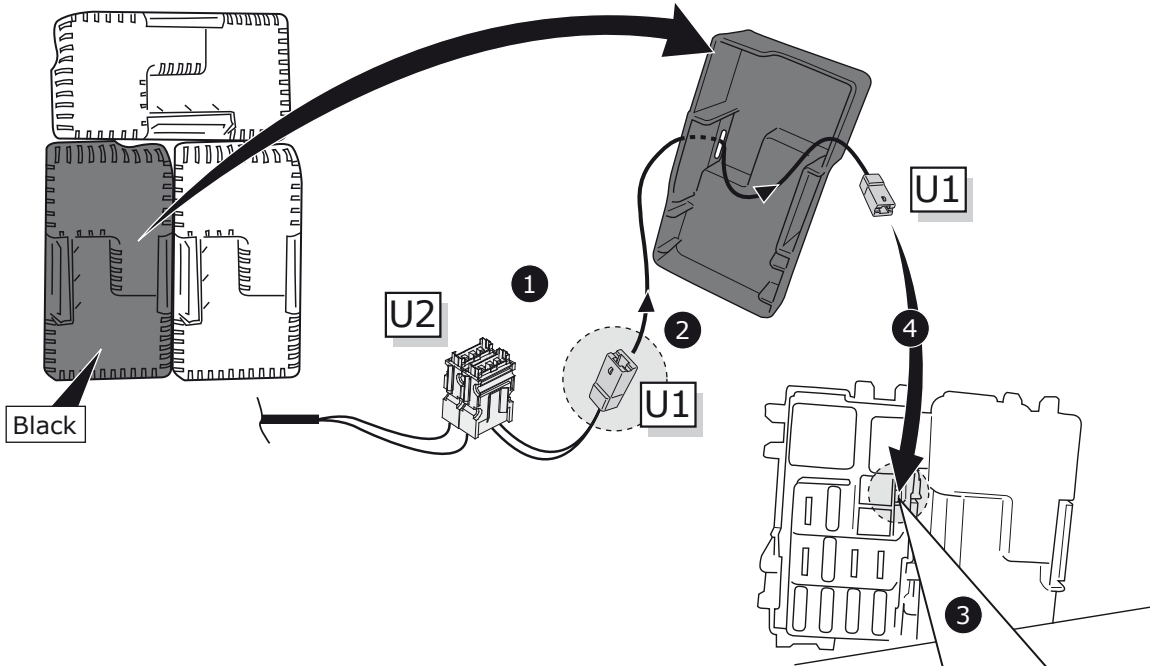
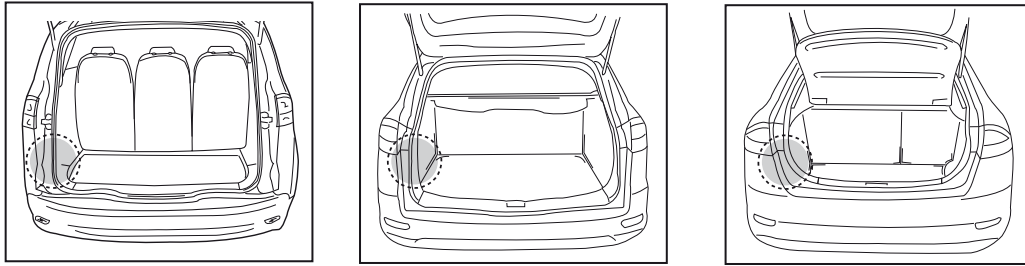


Mondeo Sedan, Hatchback

10



11



Option: > 10 AMP.

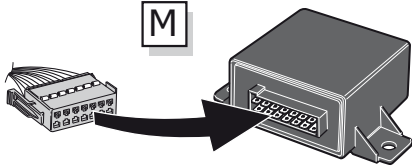


Pag. 14

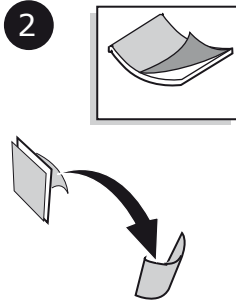
Mondeo Sedan, Hatchback, Stationwagon / Galaxy / S-Max

12

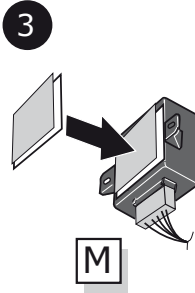
1



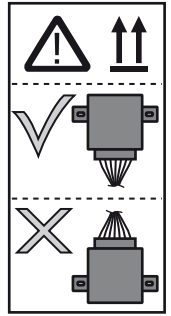
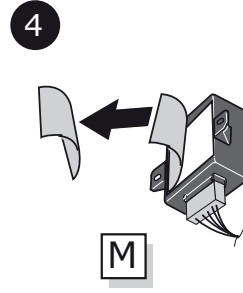
2



3

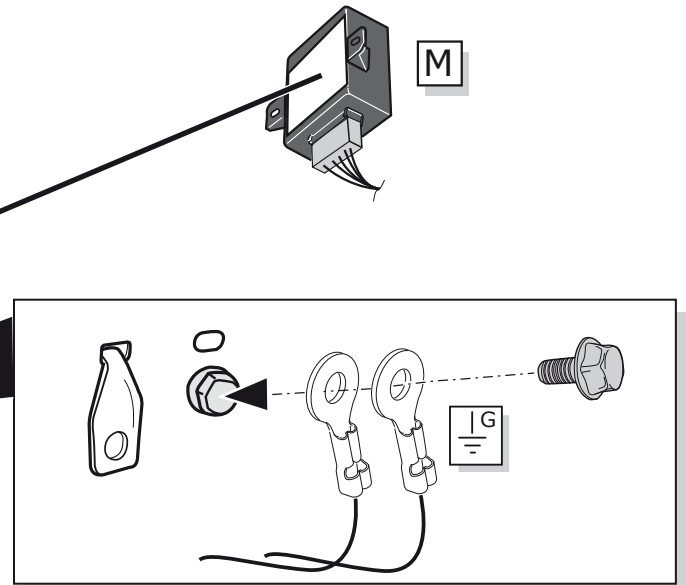
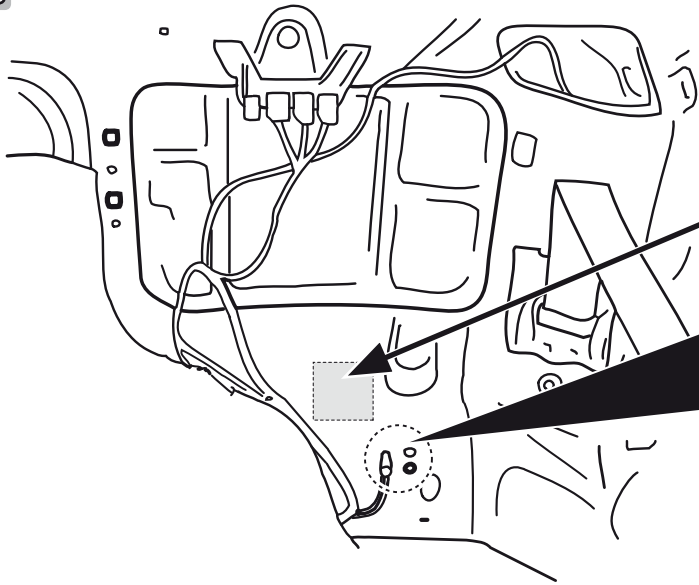


4



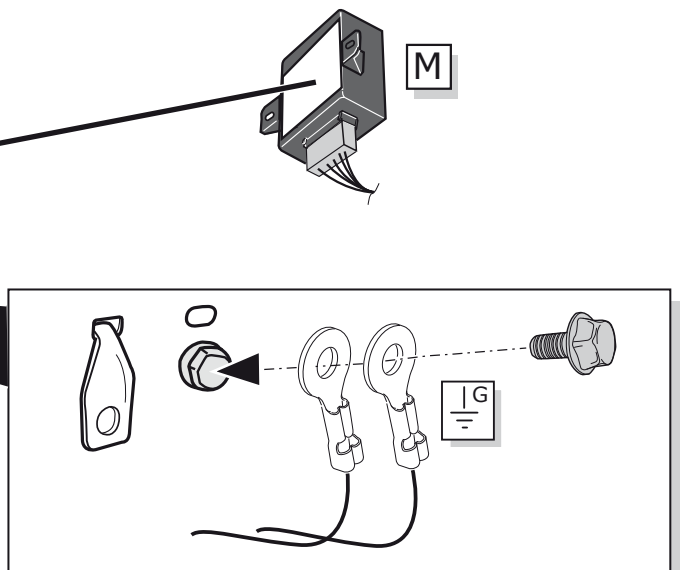
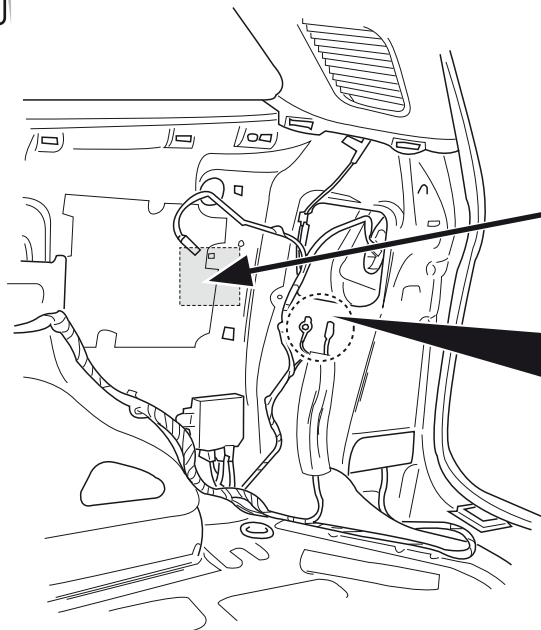
Galaxy / S-Max

13



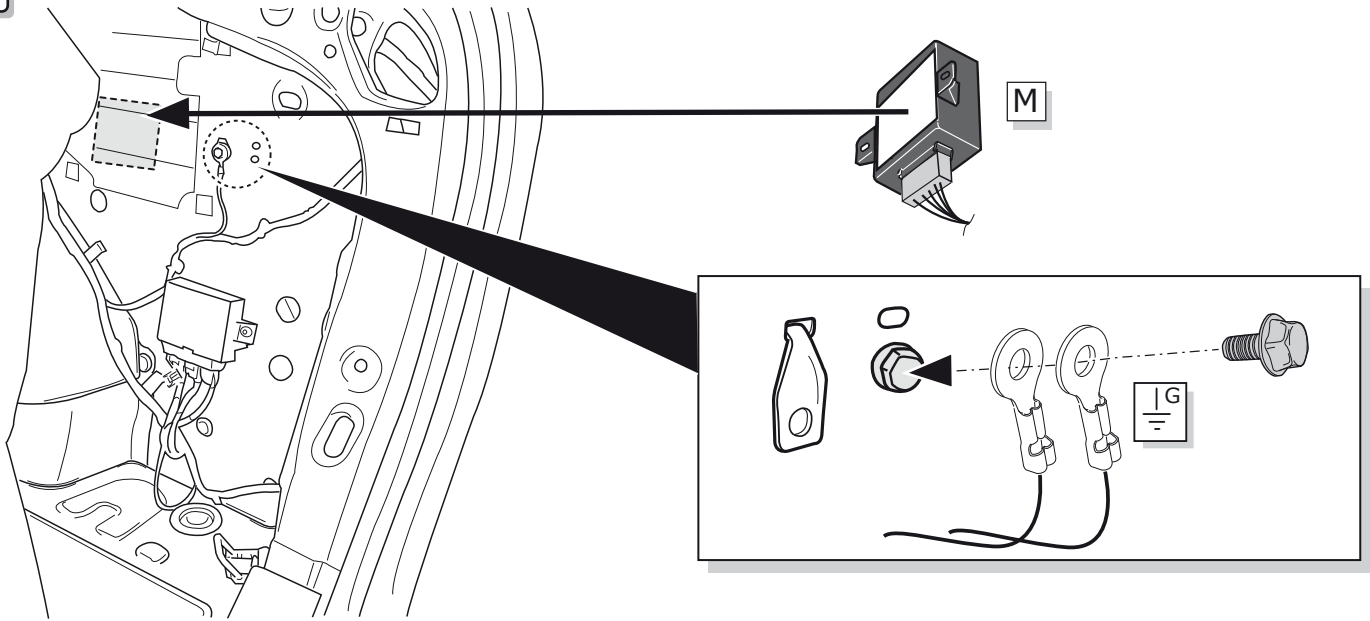
Mondeo Stationwagon

14



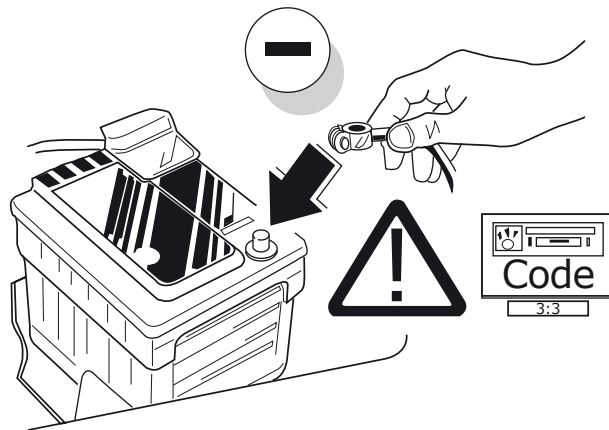
Mondeo Sedan, Hatchback

15

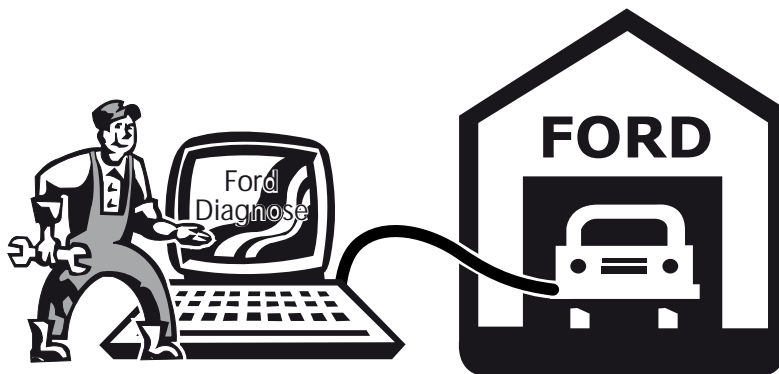


Mondeo Sedan, Hatchback, Stationwagon / Galaxy / S-Max

16

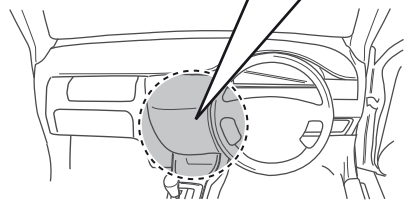
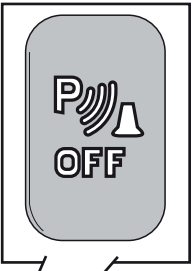
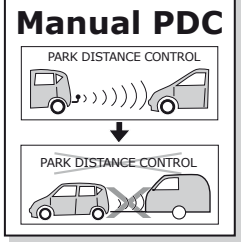


17

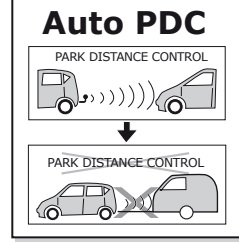


18

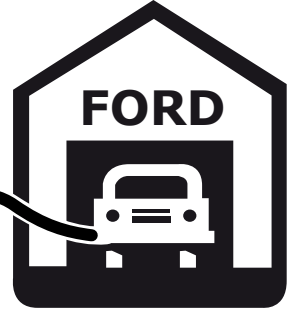
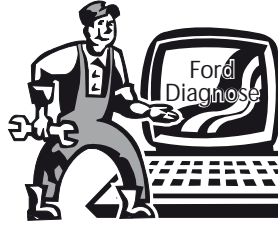
Option 1



Option 2



C2



19

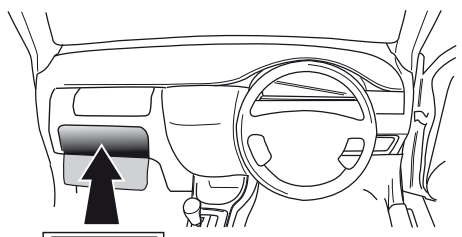


TEST ALL THE CIRCUITS WITH A TEST DEVICE WITH THE CORRECT POWER LOAD FOR EACH FUNCTION. A TEST DEVICE WITH LED'S CANNOT BE USED FOR THIS PURPOSE.

INFO

REINSTALL TRIM.

20



User guide

INFO

SOCKET CONNECTION

DIN/ISO 11446													
	1/L	2	3/31	4/R	5/58-R	6/54	7/58-L	8	9	10	11	12	13
Pmax	21W	2x21W		21W	52W	3x21W	52W	2x21W	180W/15Amp	180W/15Amp			
Colour	Yellow	Blue	White	Green	Brown	Red 1,00 mm ²	Black	Black/ Red	Brown/ White	Red 2,50 mm ²	White	-	White

OPTION > 10 AMP. +30

