

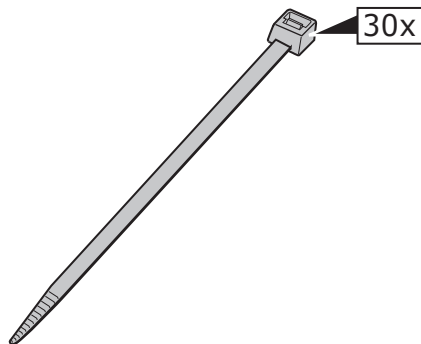
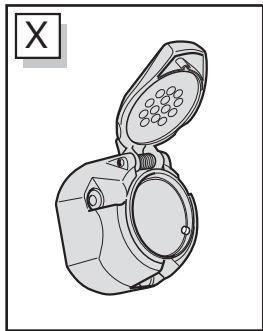
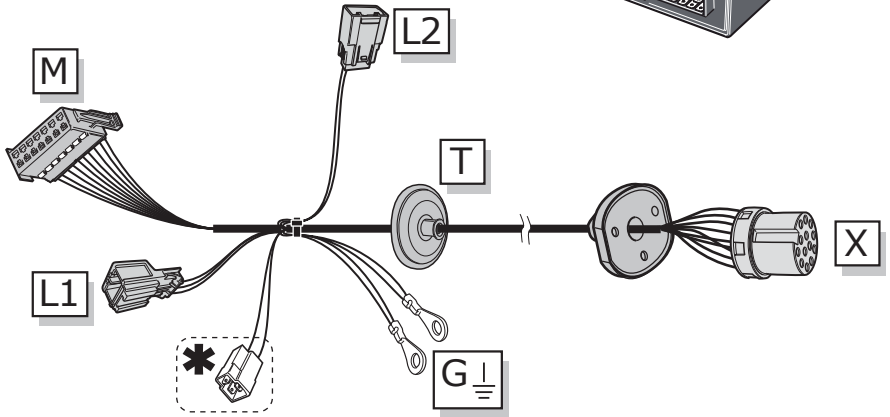
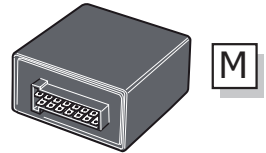
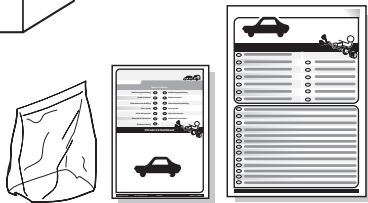
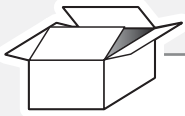
**Ford Transit 04/2014 >>**

**Partnr.: FR-070-H1U**

- Fitting instructions electric wiring kit tow bar with 13-P socket up to DIN/ISO Norm 11446.
- We would expressly point out that assembly not carried out properly by a competent installer will result in cancellation of any right to damage compensation, in particular those arising by virtue of the product liability act.
- Contents of these kits and their fitting manuals are subject to alteration without notice, please ensure that these instructions are read and fully understood before commencing installation.
- Do not overload circuits; the maximum loads per connection are detailed in this manual.
- Attention! Before Installation, please read this manual carefully and inform your customer to consult the vehicle owners manual to check for any vehicle modifications required before towing.
- In the event of functional problems, troubleshooting must be limited to about 0.5 hours, contact the technical support:  
[ukts@ecs-electronics.com](mailto:ukts@ecs-electronics.com) / 07440 202 052.

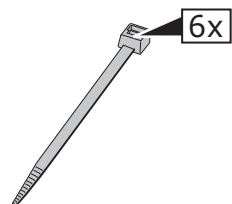
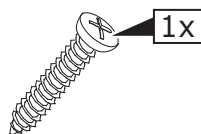
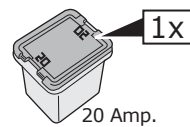
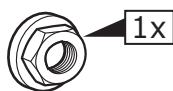
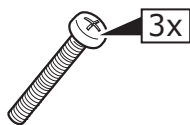


# Part list

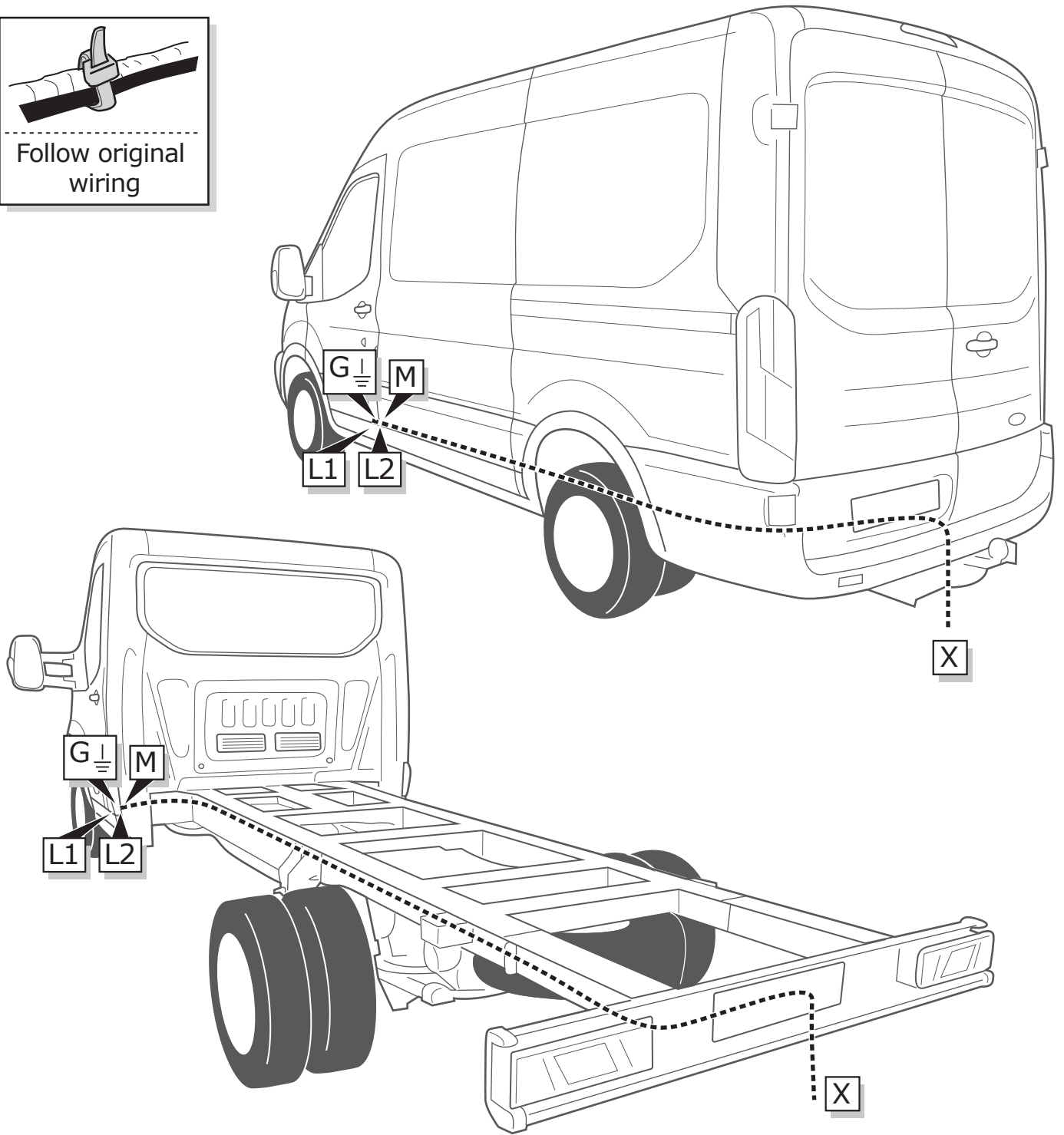
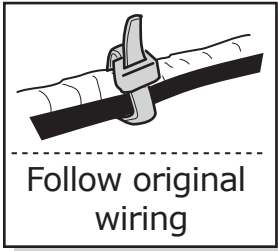


**\* OPTION +30/+15**  
preparation for

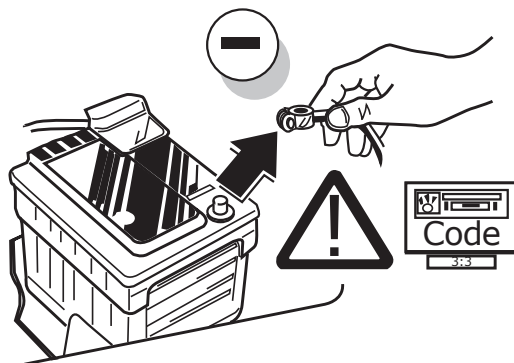
|             |     |
|-------------|-----|
|             |     |
| Brown/White | Red |



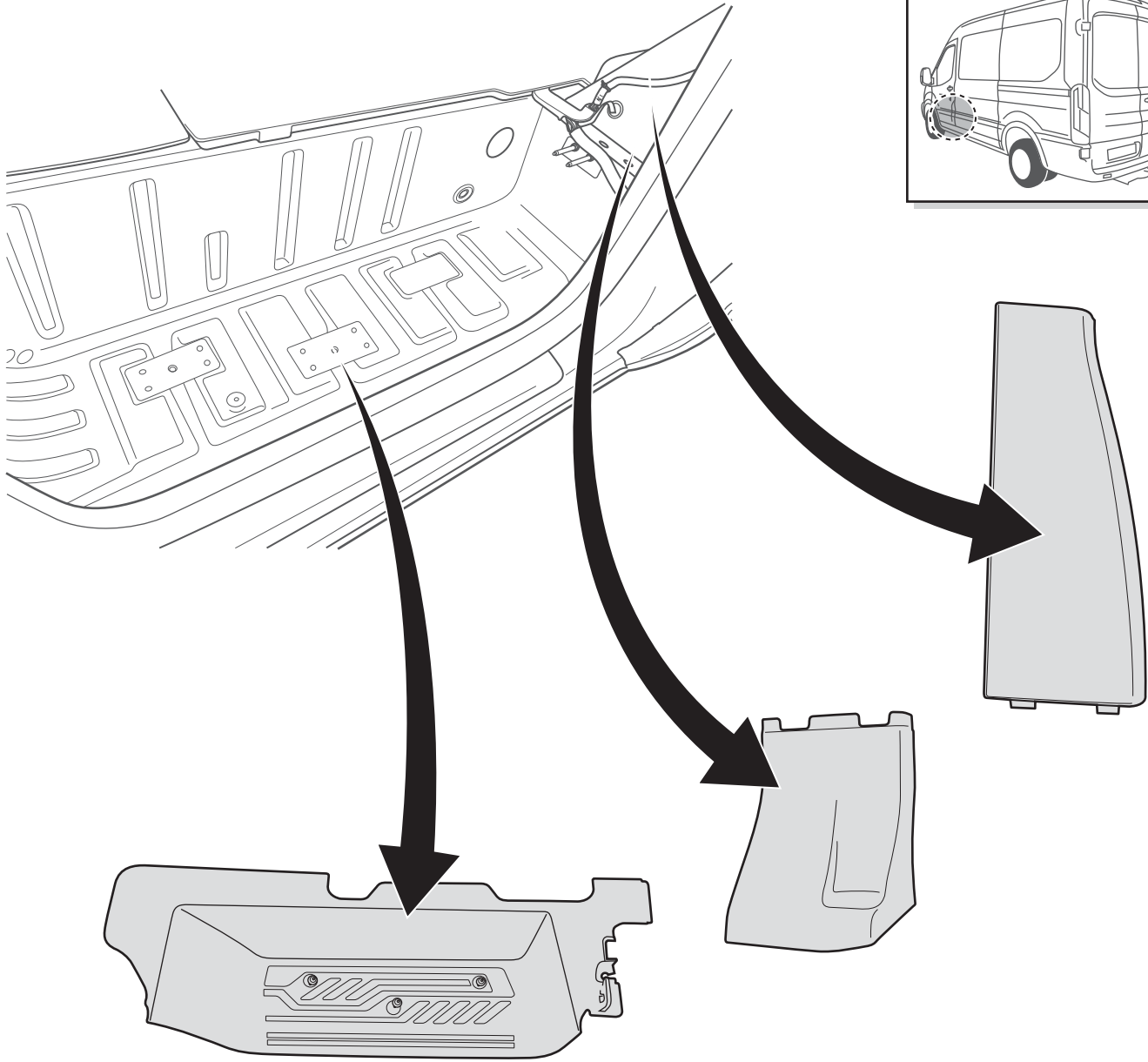
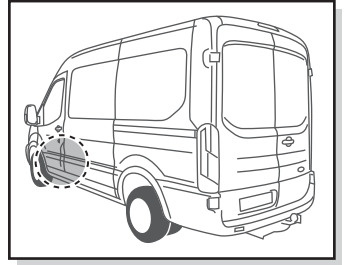
**ROUTING**



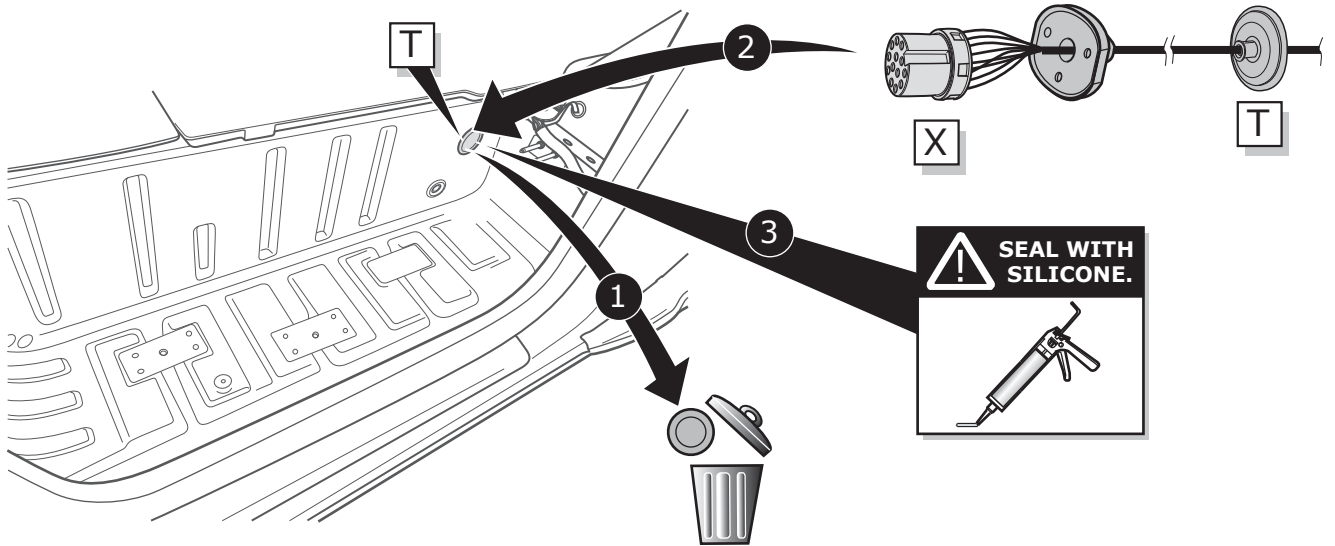
**1**



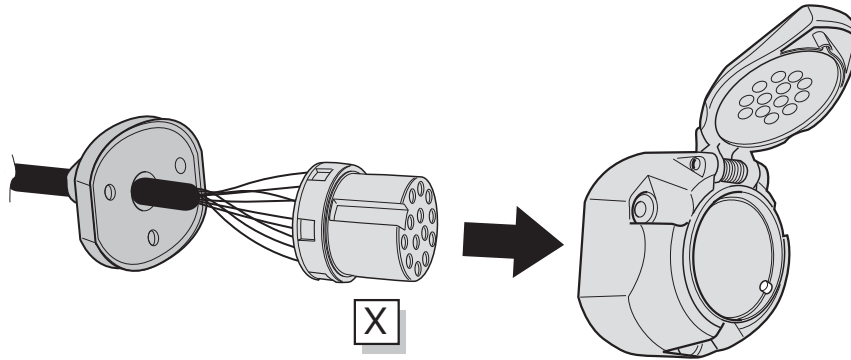
2



3



A



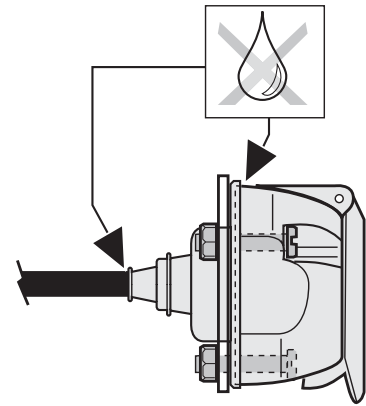
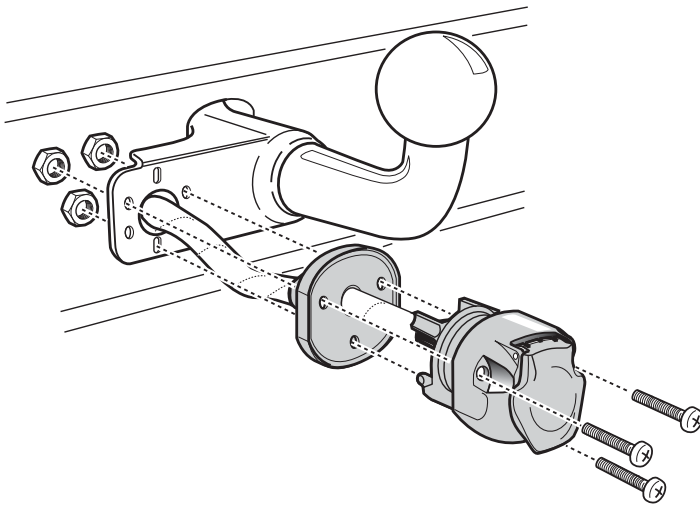
INFO

SOCKET CONNECTION

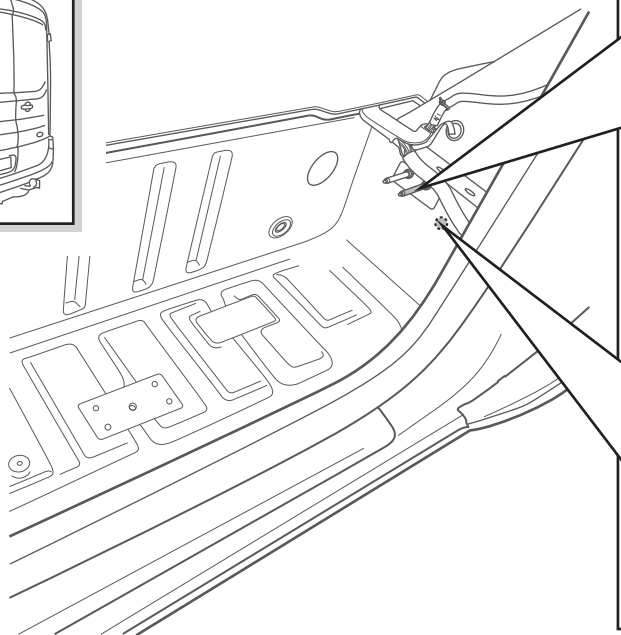
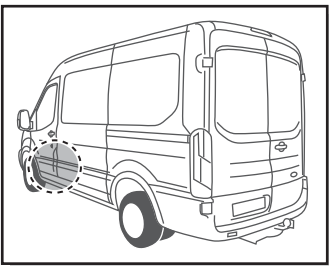


Pag. 10

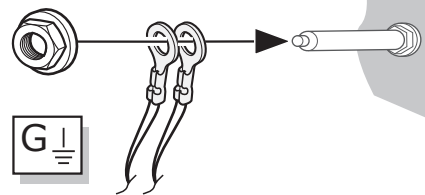
B



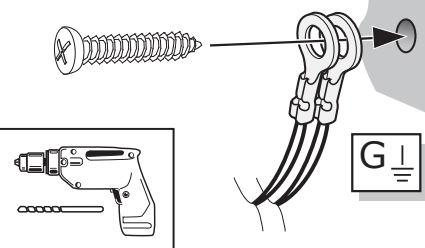
4

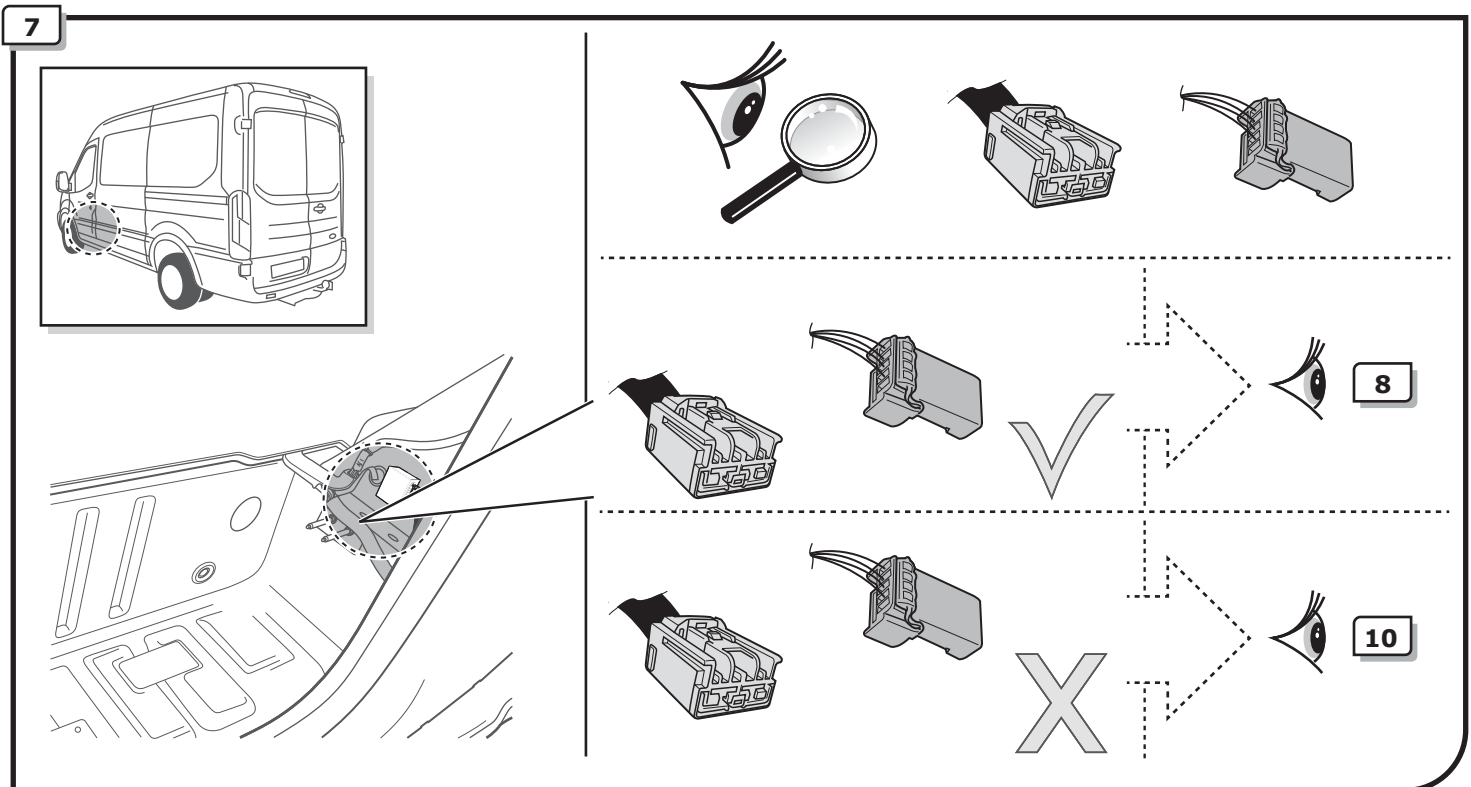
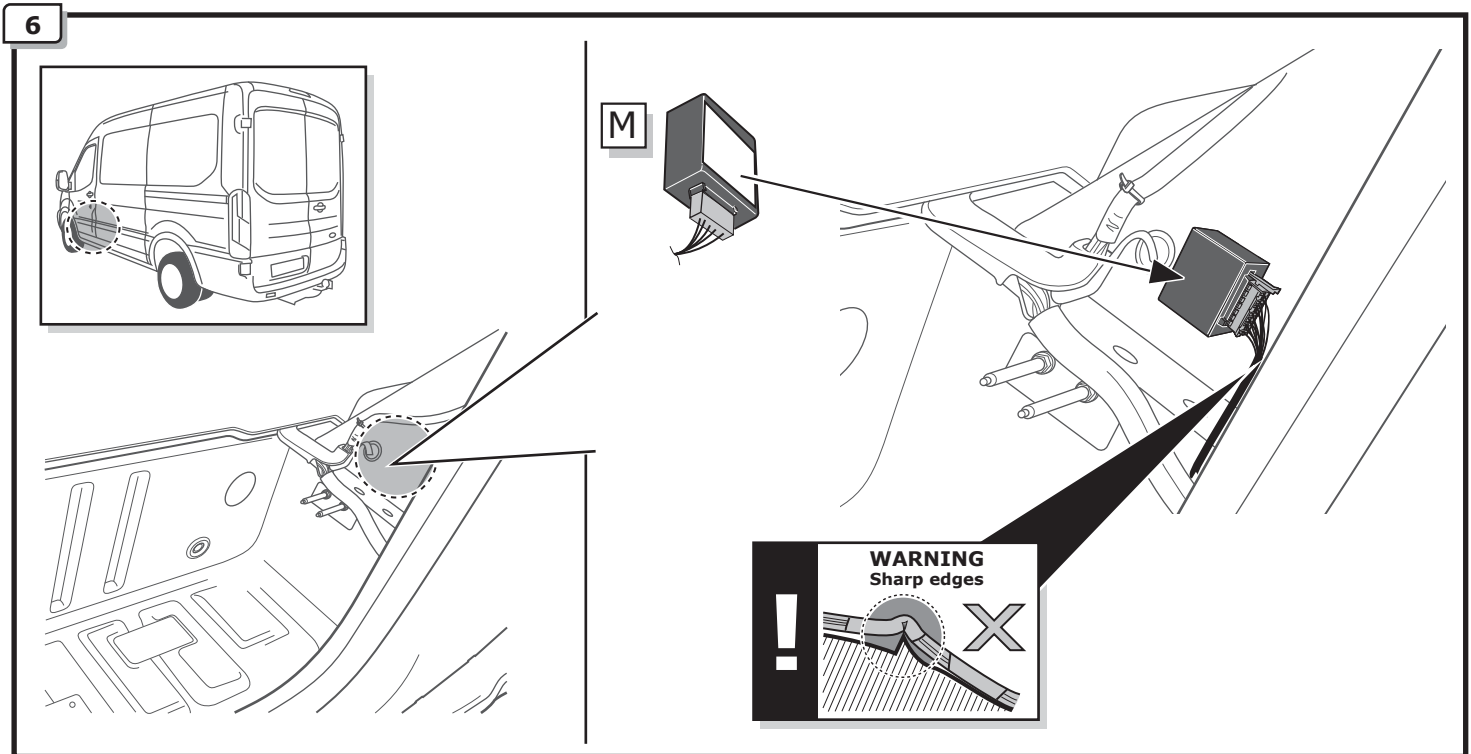
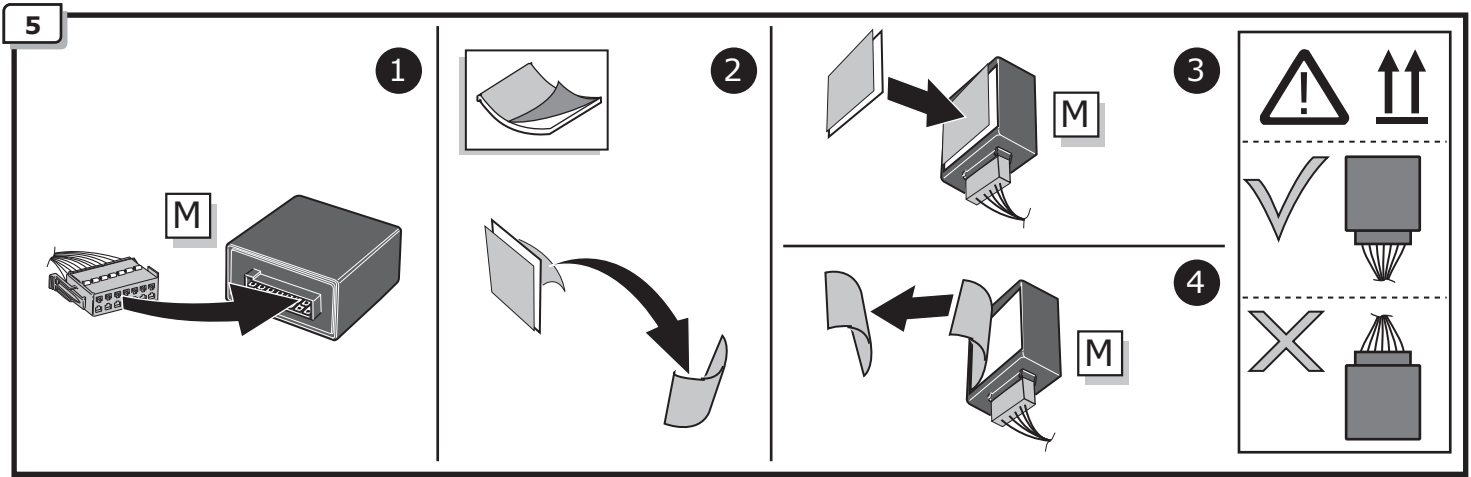


Option 1

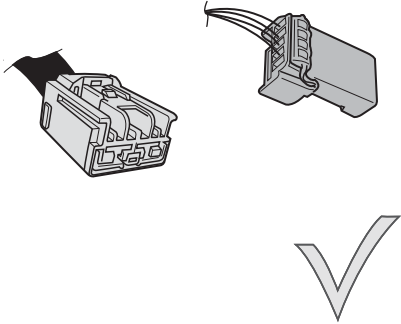


Option 2

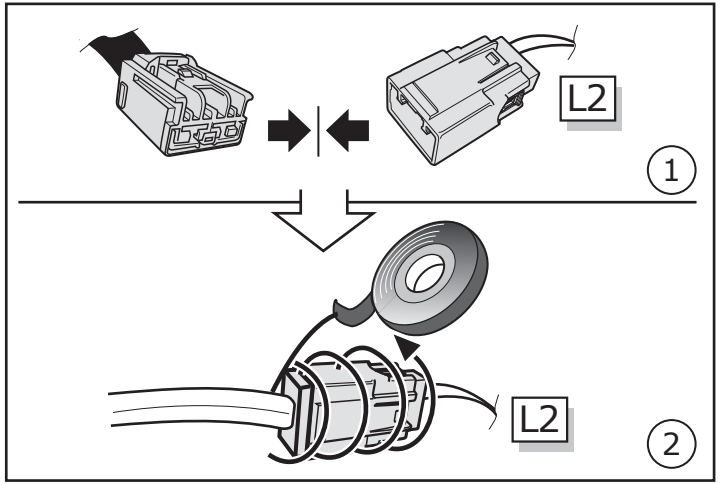




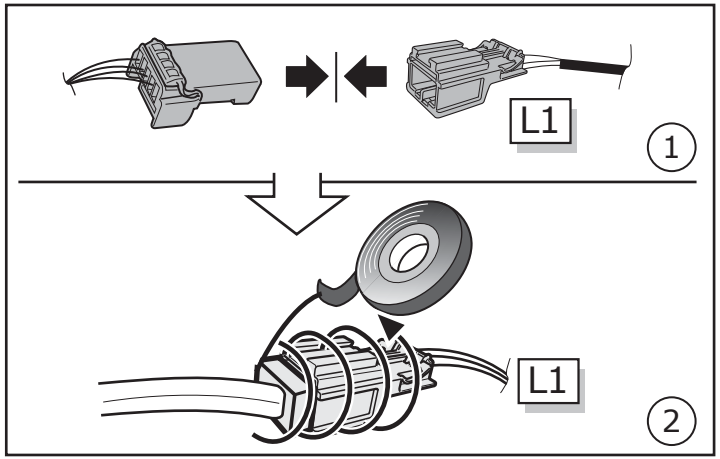
8



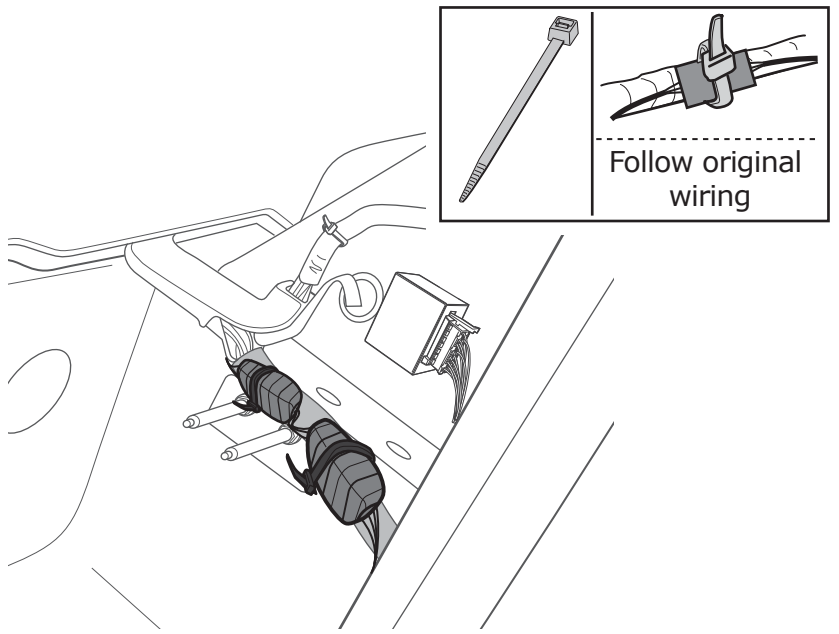
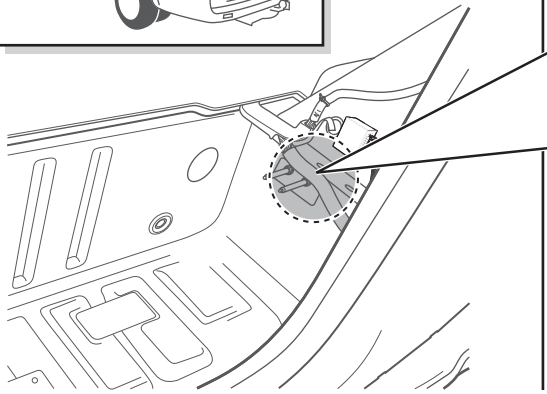
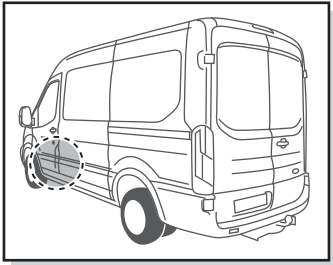
1



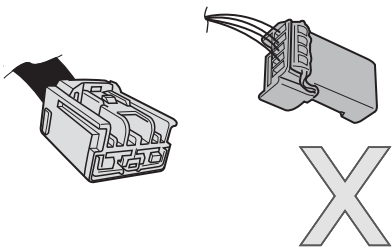
2



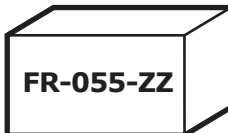
9



10

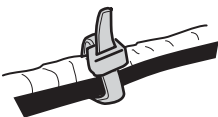


Supplier

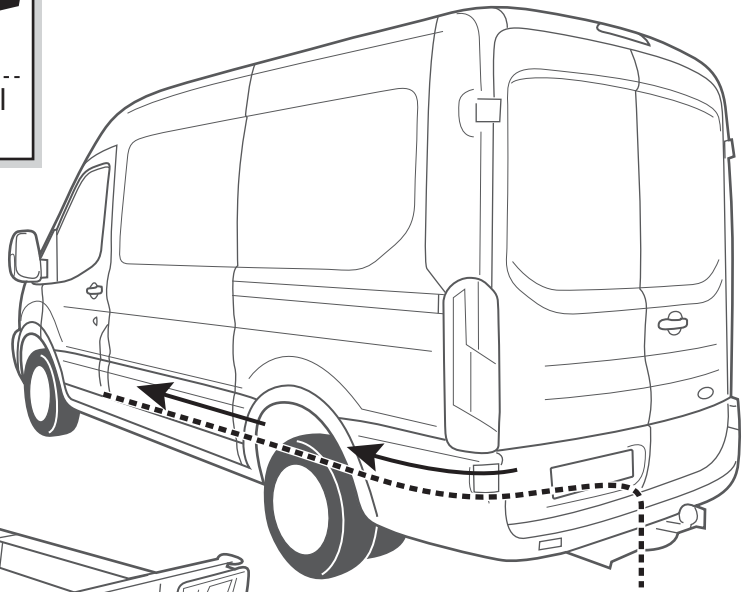
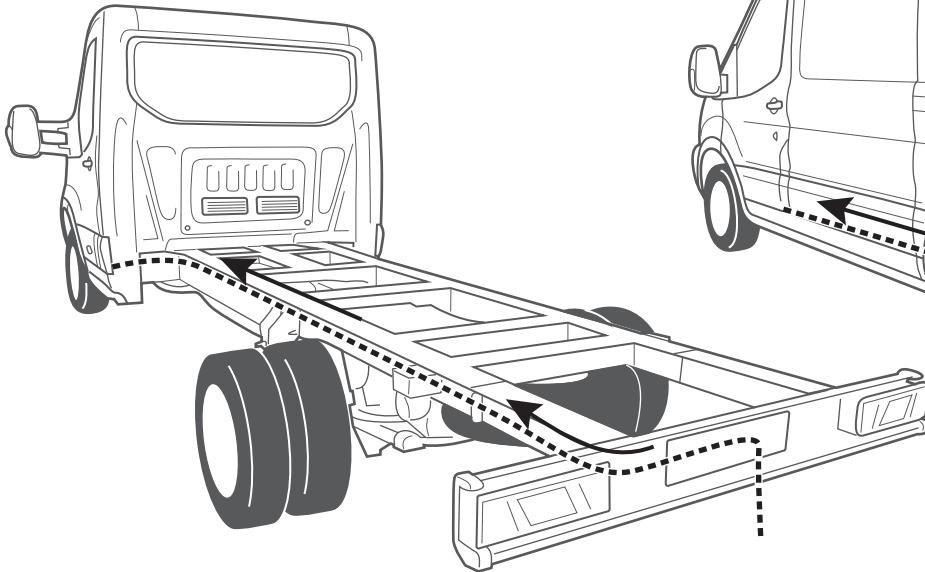


11

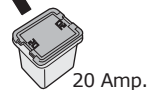
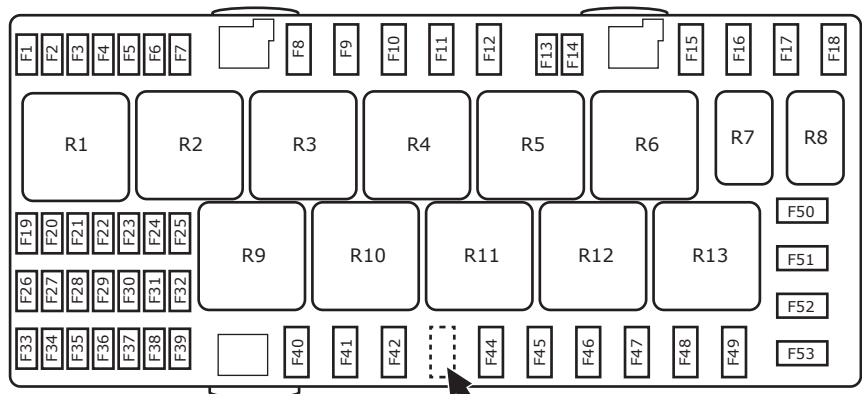
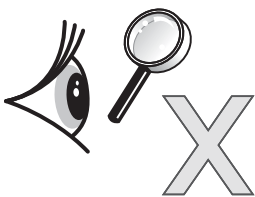
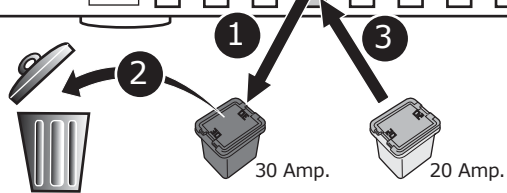
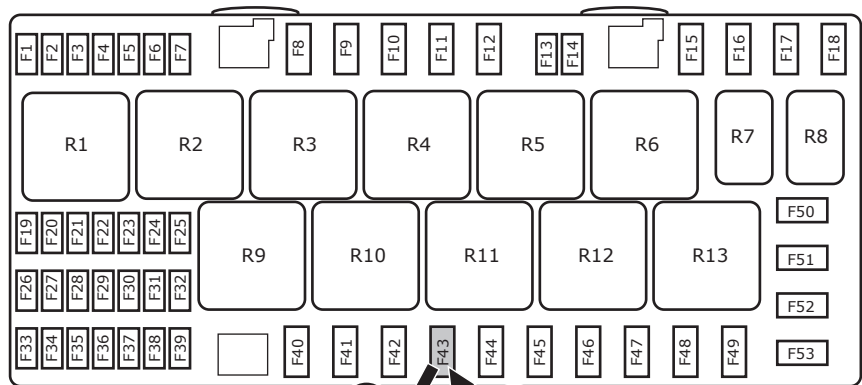
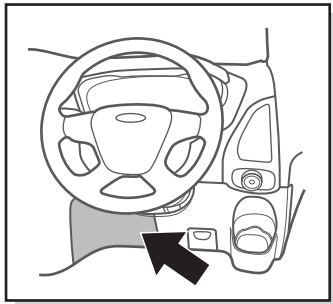
If necessary



Follow original wiring

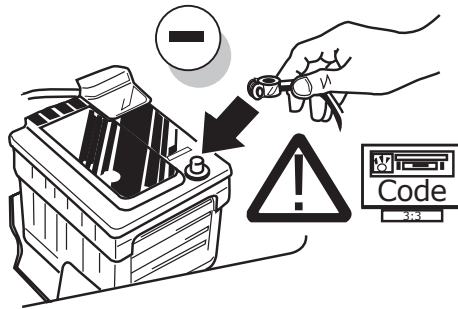


12

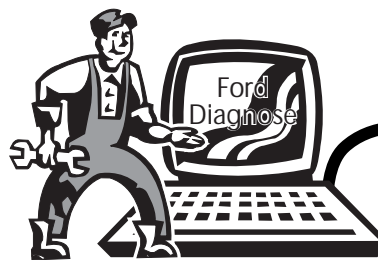
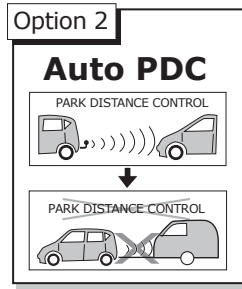
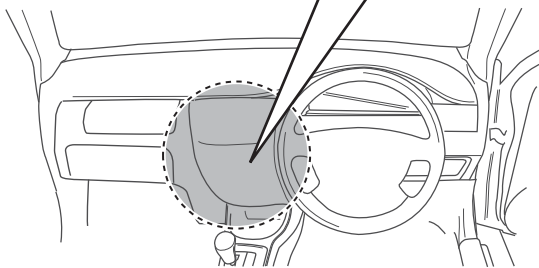
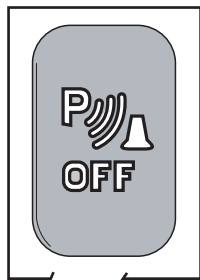
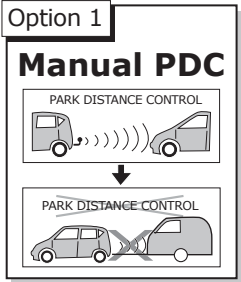




13



14



15

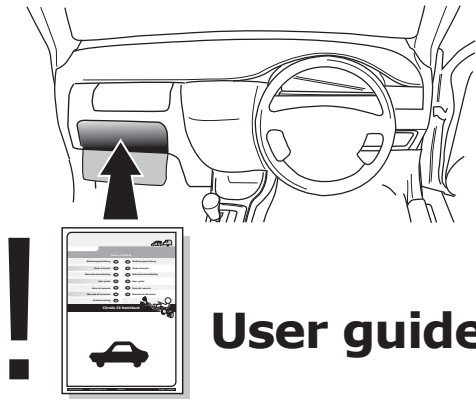


TEST ALL THE CIRCUITS WITH A TEST DEVICE WITH THE CORRECT POWER LOAD FOR EACH FUNCTION. A TEST DEVICE WITH LED'S CANNOT BE USED FOR THIS PURPOSE.

**INFO**

REINSTALL TRIM.

**16**



**INFO**

SOCKET CONNECTION

|                  |        |      |       |       |        |                             |        |               |                 |                             |       |    |       |
|------------------|--------|------|-------|-------|--------|-----------------------------|--------|---------------|-----------------|-----------------------------|-------|----|-------|
| DIN/ISO<br>11446 |        |      |       |       |        |                             |        |               |                 |                             |       |    |       |
|                  | 1/L    | 2    | 3/31  | 4/R   | 5/58-R | 6/54                        | 7/58-L | 8             | 9               | 10                          | 11    | 12 | 13    |
| Pmax             | 21W    | 21W  |       | 21W   | 42W    | 3x21W                       | 42W    | 21W           | 180W/15Amp      | 180W/15Amp                  |       |    |       |
| Colour           | Yellow | Blue | White | Green | Brown  | Red<br>1,00 mm <sup>2</sup> | Black  | Black/<br>Red | Brown/<br>White | Red<br>2,50 mm <sup>2</sup> | White | -  | White |