

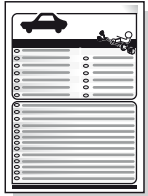
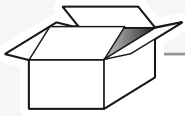
Ford Ranger MK2

Partnr.: FR-077-B1U

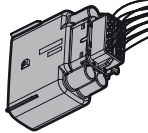
- Fitting instructions electric wiring kit tow bar with 12-N socket up to DIN/ISO Norm 1724.
- We would expressly point out that assembly not carried out properly by a competent installer will result in cancellation of any right to damage compensation, in particular those arising by virtue of the product liability act.
- Contents of these kits and their fitting manuals are subject to alteration without notice, please ensure that these instructions are read and fully understood before commencing installation.
- Do not overload circuits; the maximum loads per connection are detailed in this manual.
- Attention! Before Installation, please read this manual carefully and inform your customer to consult the vehicle owners manual to check for any vehicle modifications required before towing.
- In the event of functional problems, troubleshooting must be limited to about 0.5 hours, contact the technical support:
ukts@ecs-electronics.com / 07440 202 052.



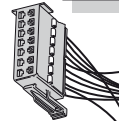
Part list



C



X



M1

G



I

A

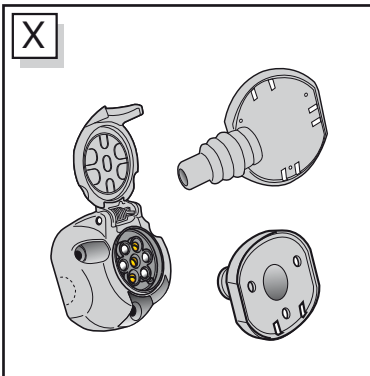
U



M



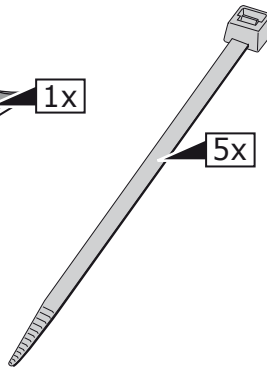
X



1x



5x



UN-243-YZ

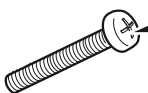
Optional reverse lamp
pre-wire extension included



Pag. 11



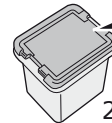
3x



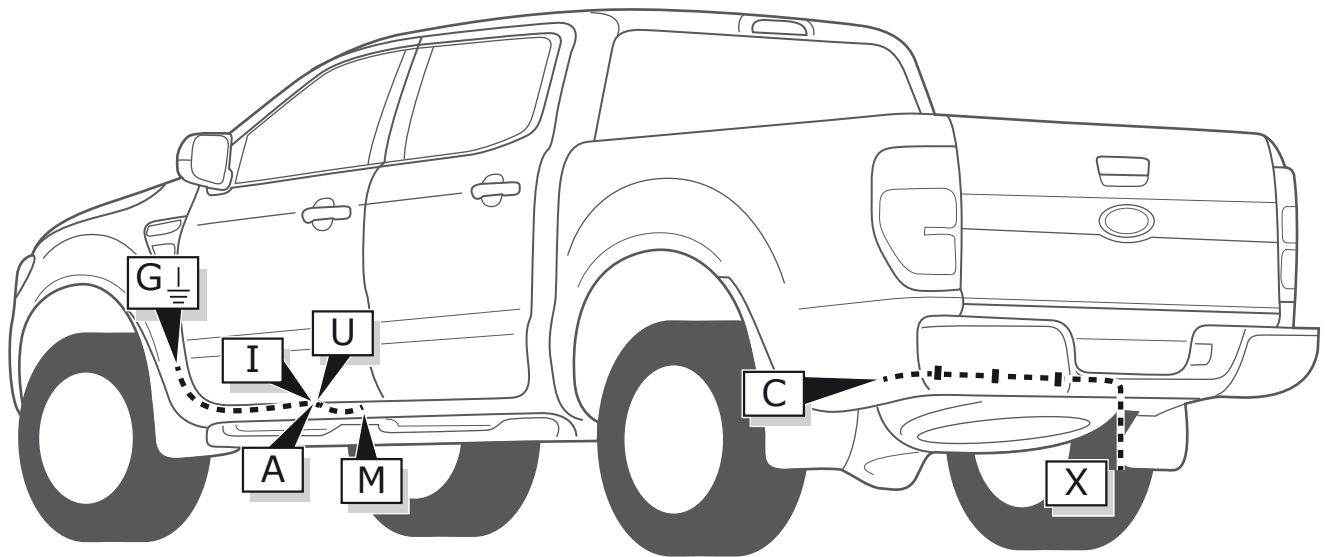
3x



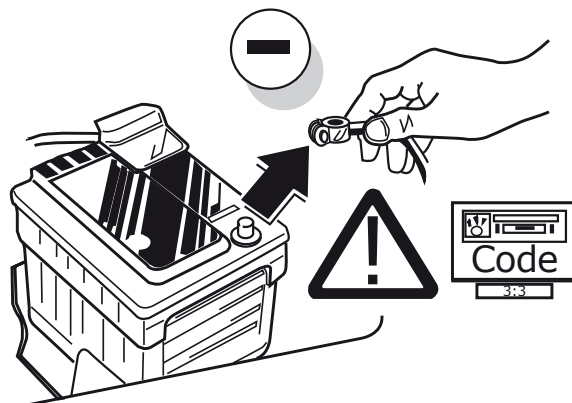
1x



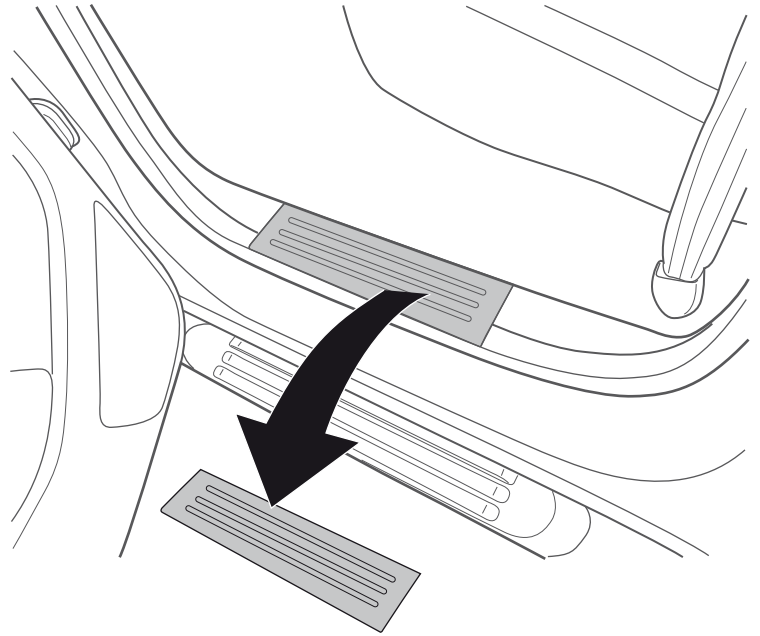
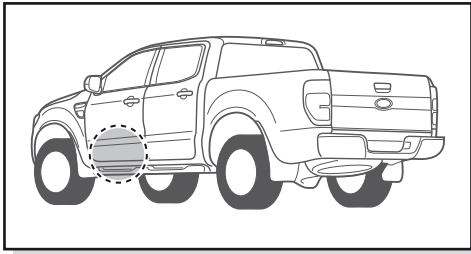
20 Amp.



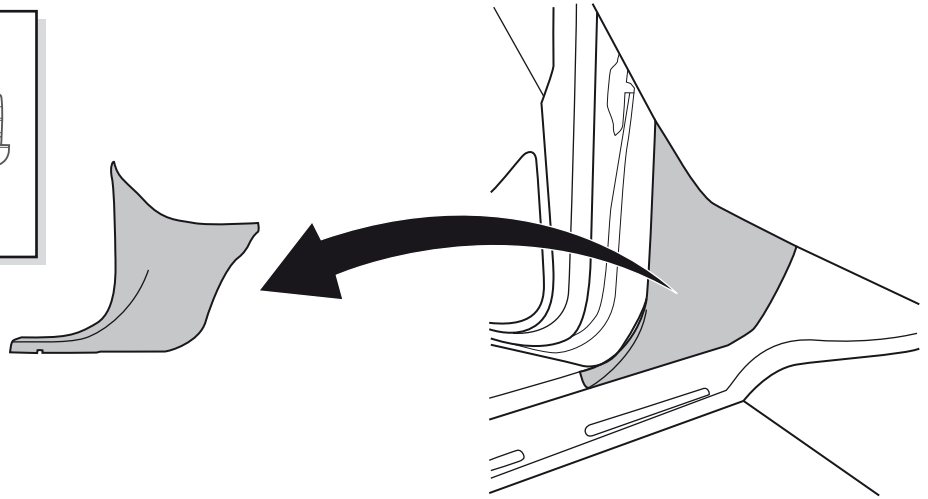
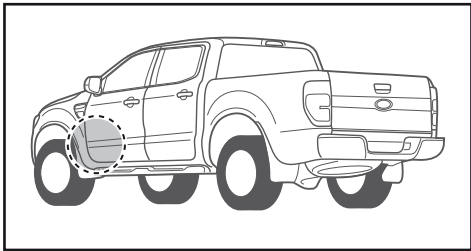
1



2

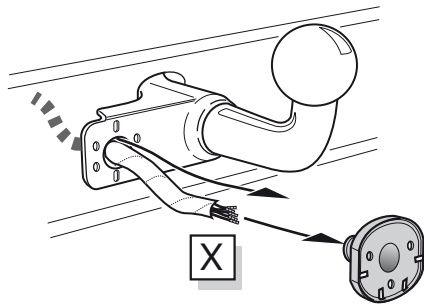


3

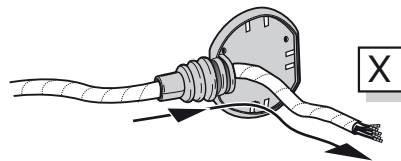


A

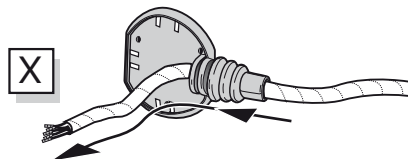
Option 1



Option 2



Option 3

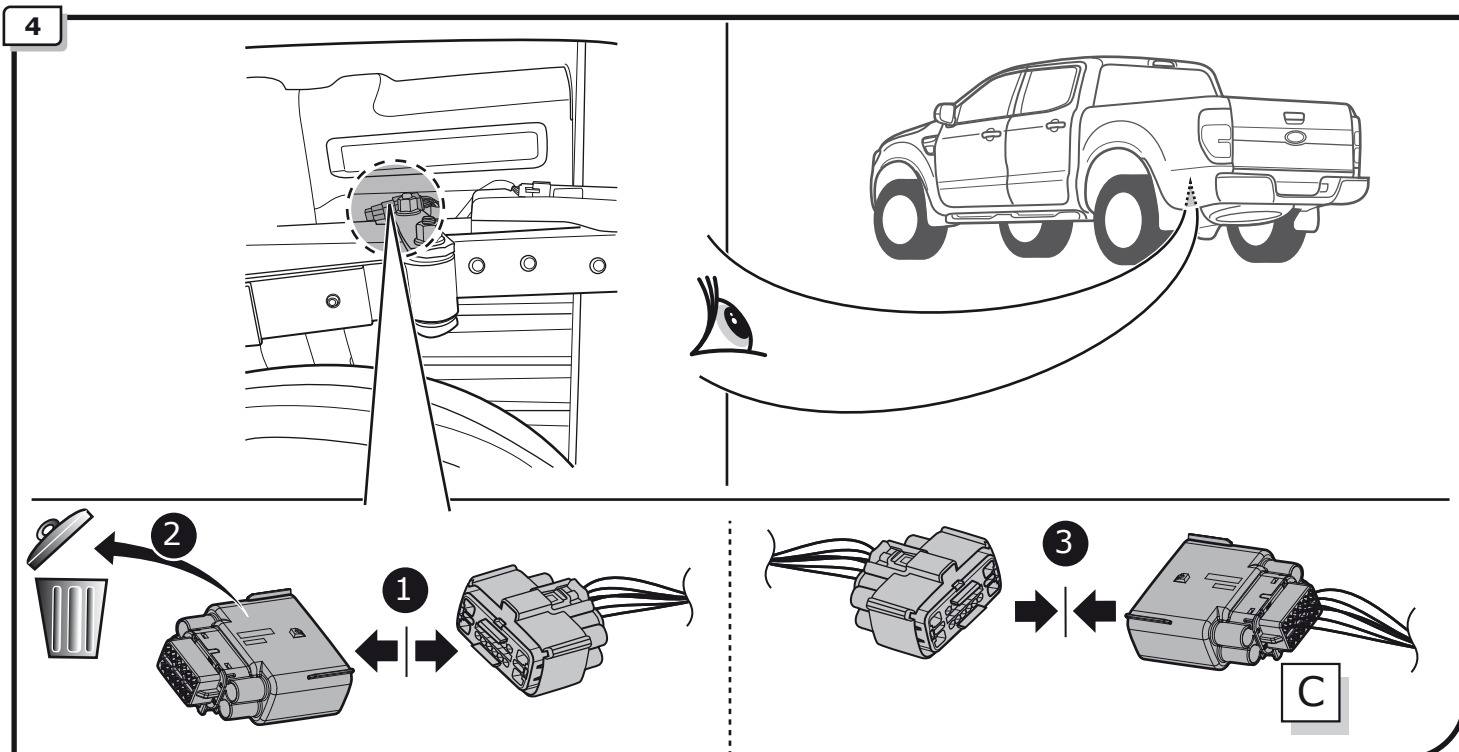
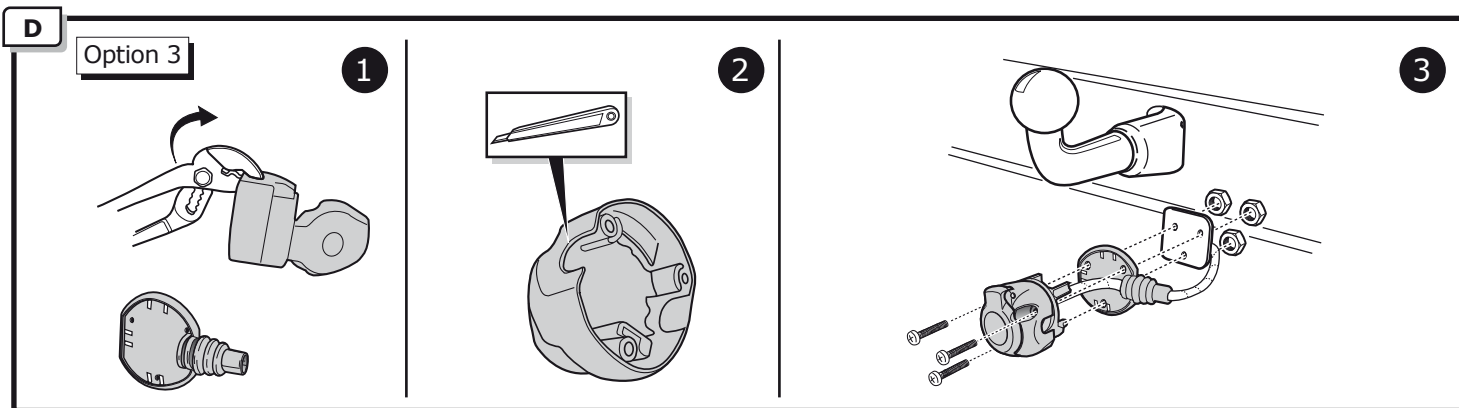
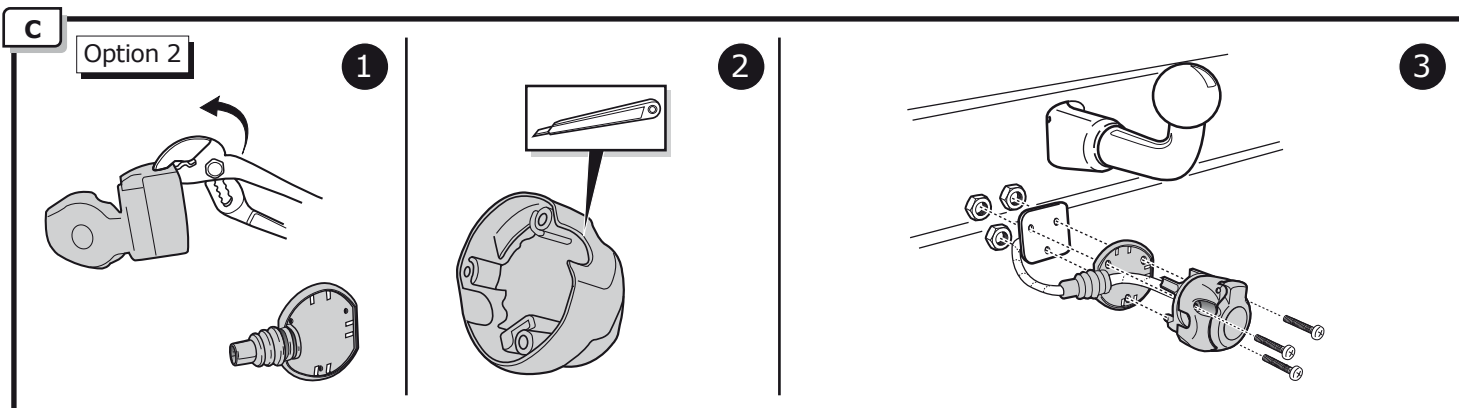
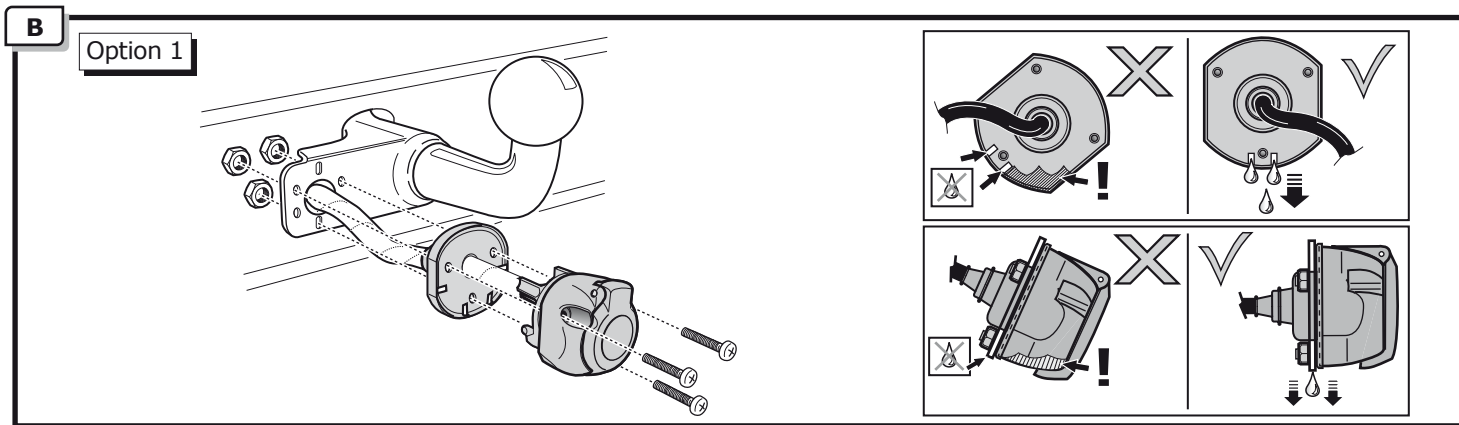


INFO

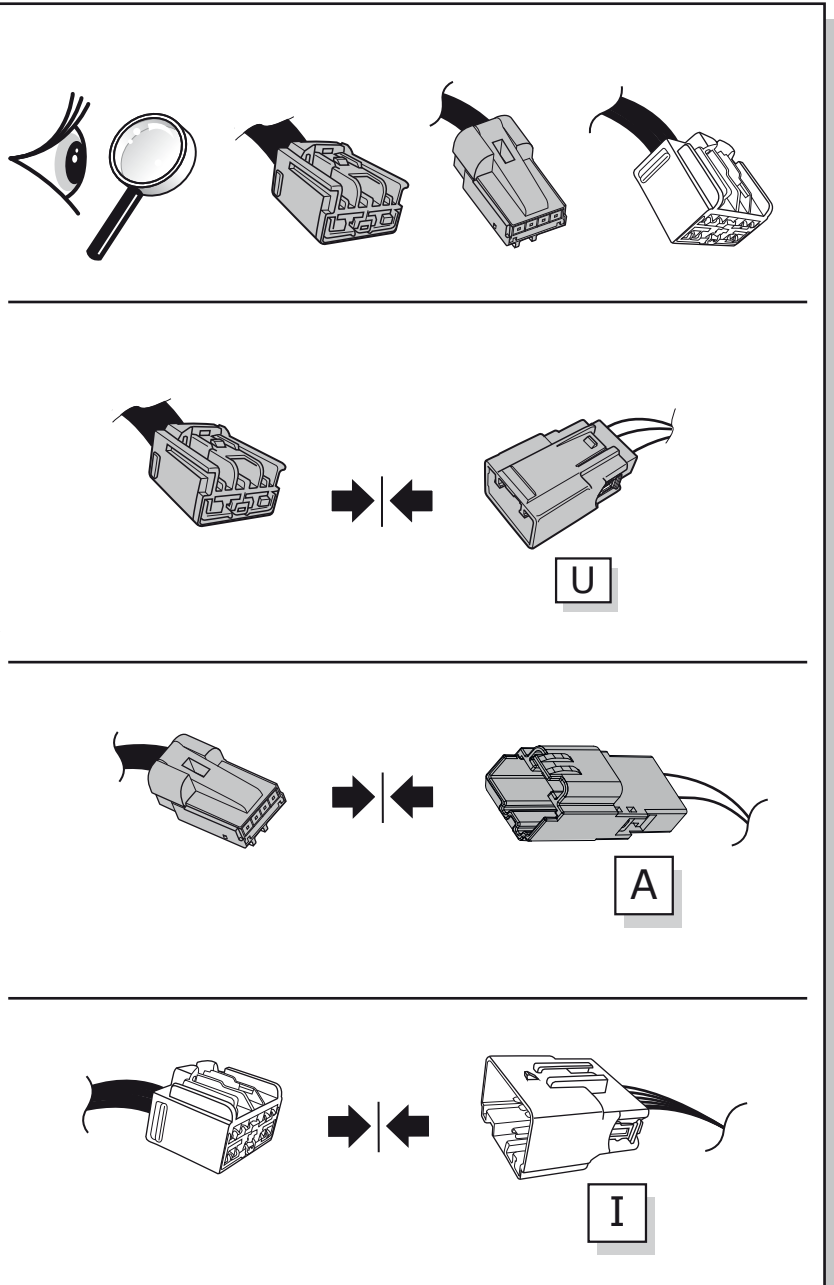
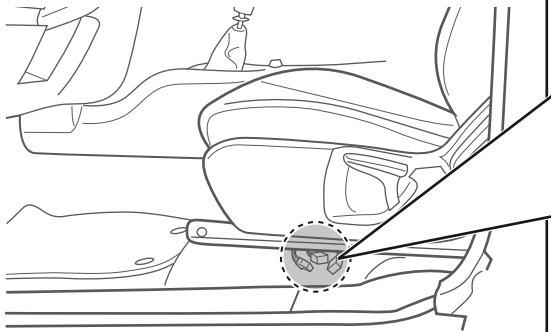
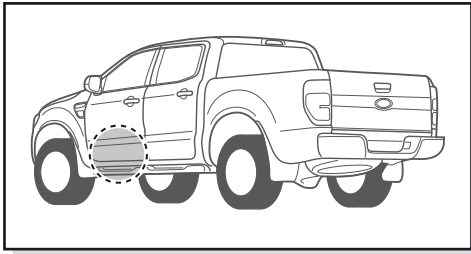
SOCKET CONNECTION



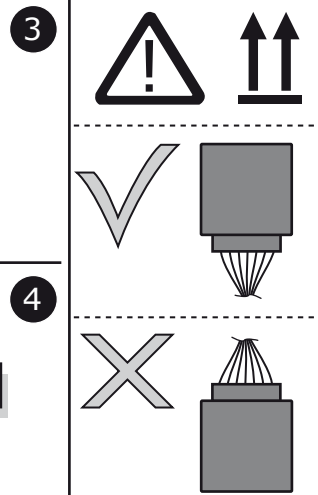
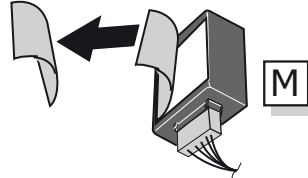
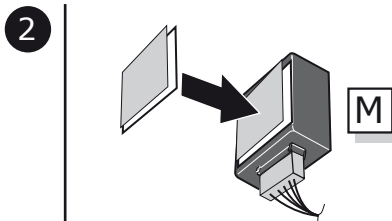
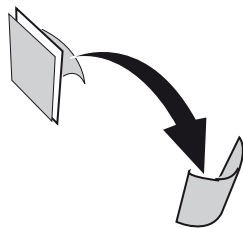
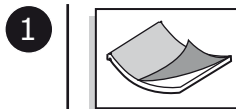
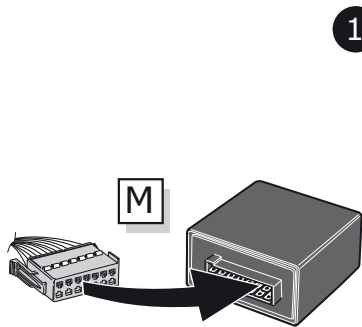
Pag. 10



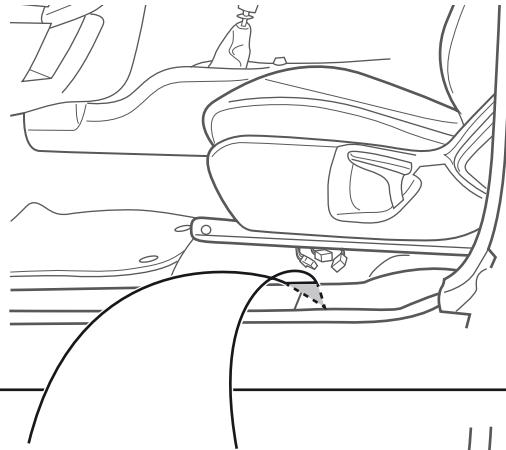
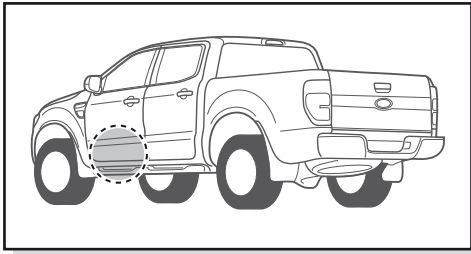
5



6

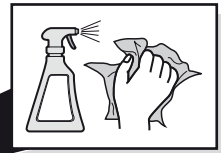


7

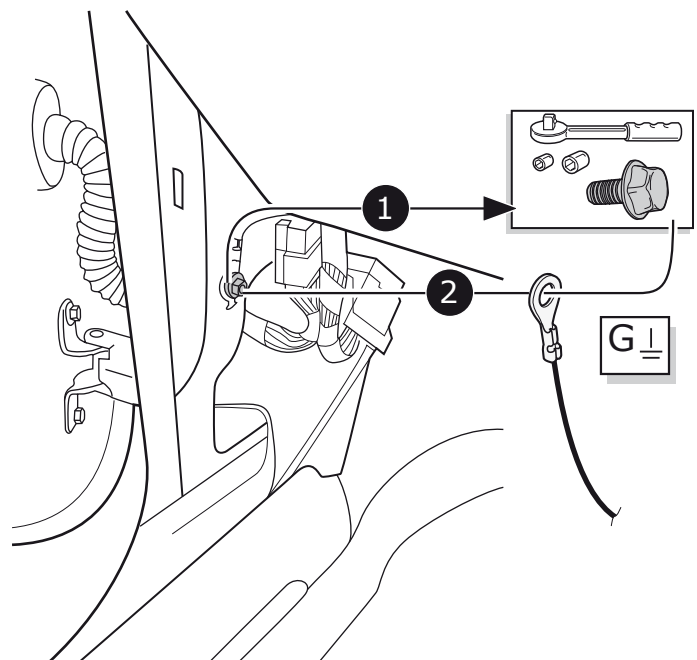
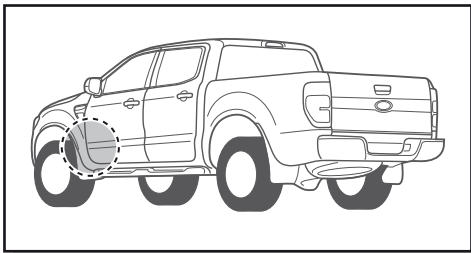


2

1



8



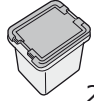
1

2

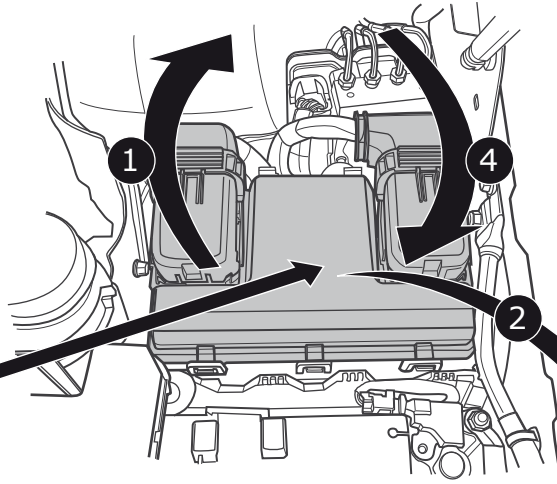
G

Option 1

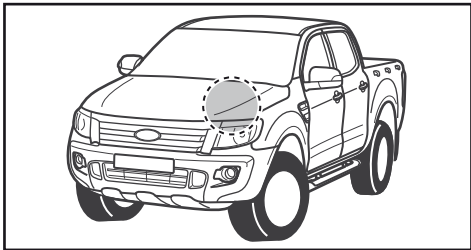
Pos. 87



20 Amp.

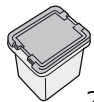


40 Amp.

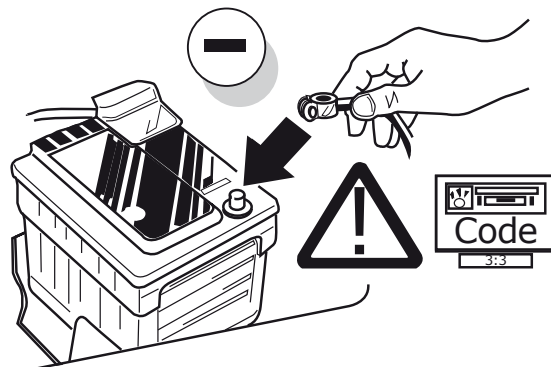
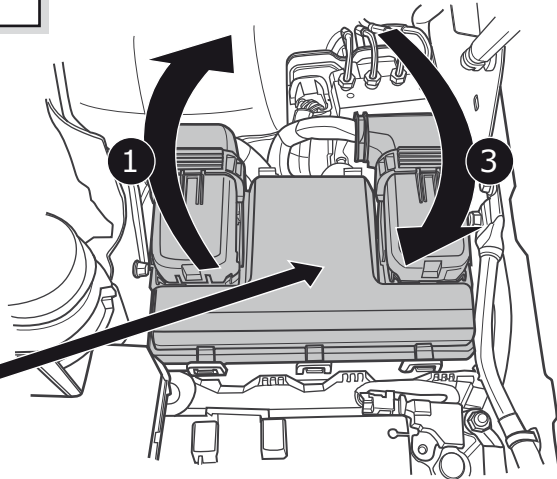


Option 2

Pos. 87



20 Amp.

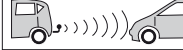


11

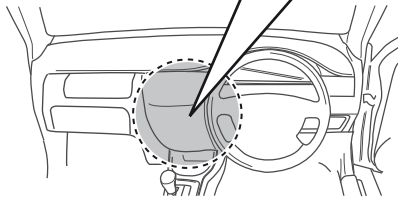
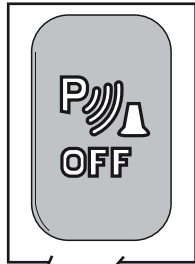
Option 1

Manual PDC

PARK DISTANCE CONTROL



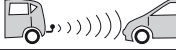
PARK DISTANCE CONTROL



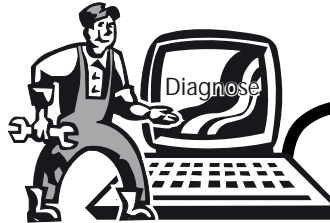
Option 2

Auto PDC

PARK DISTANCE CONTROL



PARK DISTANCE CONTROL



12

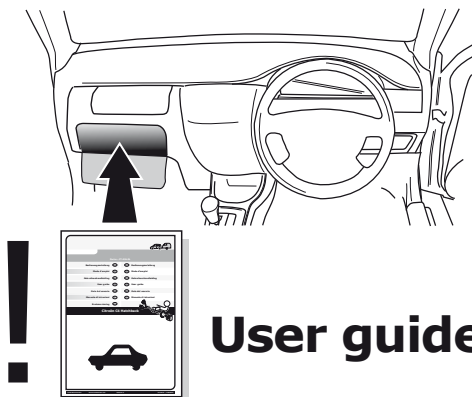


TEST ALL THE CIRCUITS WITH A TEST DEVICE WITH THE CORRECT POWER LOAD FOR EACH FUNCTION. A TEST DEVICE WITH LED'S CANNOT BE USED FOR THIS PURPOSE.

INFO

REINSTALL TRIM.

13










User guide

TECHNICAL SUPPORT

CALL 07440 202 052

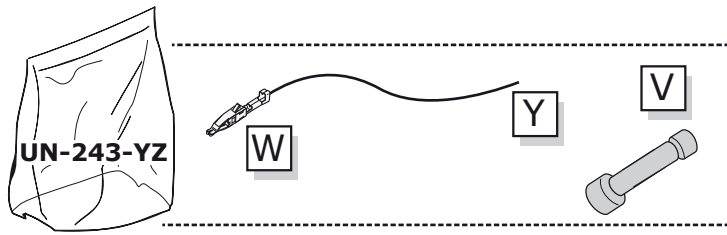
ECS ELECTRONICS MONDAY TO FRIDAY
08.00 - 11.00 am
12.00 - 05.00 pm
ukts@ecs-electronics.com
www.ecs-electronicsuk.co.uk

SOCKET CONNECTION

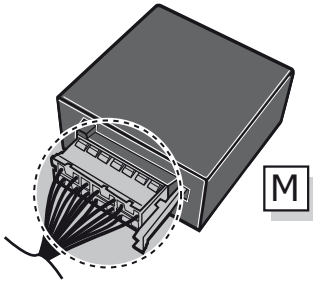
DIN/ISO 1724			 1-7				
	1/L	2	3/31	4/R	5/58-R	6/54	7/58-L
Pmax	21W	2x21W		21W	52W	3x21W	52W
Colour	Yellow	Blue	White	Green	Brown	Red	Black

UN-243-YZ Reverse lamp pre-wire extension

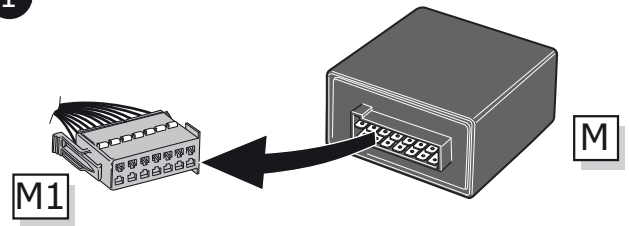
⚠ MAX = 21W



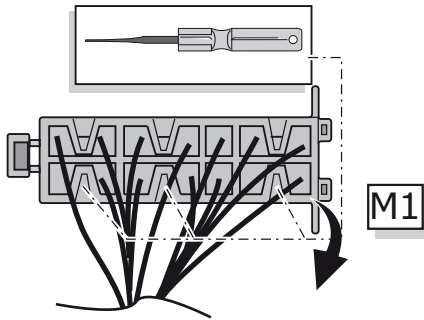
A



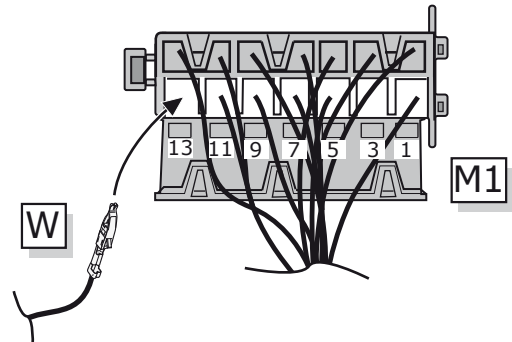
1



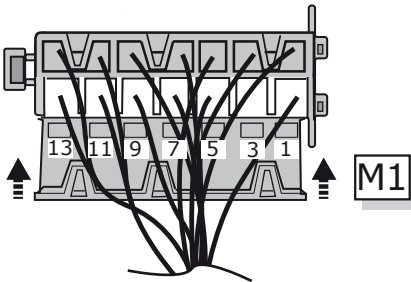
2



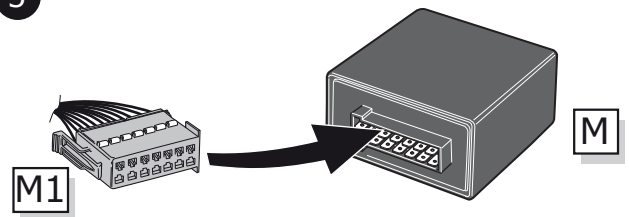
3



4



5



B

⚠ MAX = 21W

