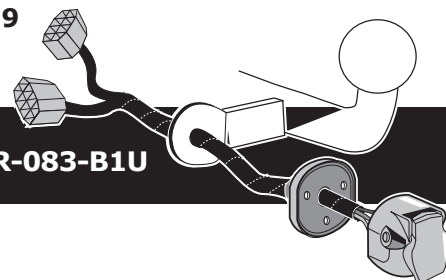


<b>Ford Transit / Tourneo Custom (V362)</b>	<b>06/2016 &gt;&gt; 06/2019</b>
<b>Ford Transit / Tourneo Custom (V362 Stage 6.2)</b>	<b>07/2019 &gt;&gt; 06/2023</b>
<b>Ford Tourneo Custom Active</b>	<b>12/2020 &gt;&gt; 06/2023</b>
<b>Ford Transit Van / Chassis (V363)</b>	<b>06/2016 &gt;&gt; 06/2019</b>
<b>Ford Transit Van / Chassis (V363 Stage 6.2)</b>	<b>07/2019 &gt;&gt;</b>
<b>Ford E-Transit Van / Chassis</b>	<b>05/2022 &gt;&gt;</b>

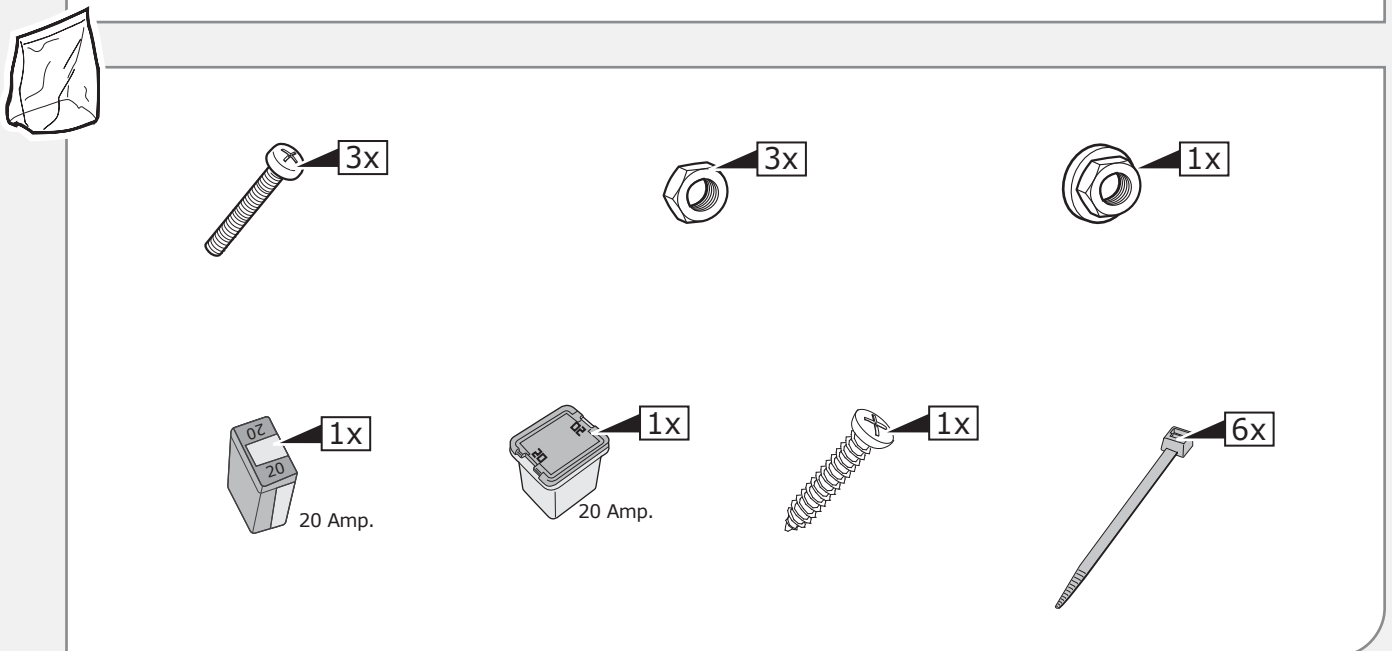
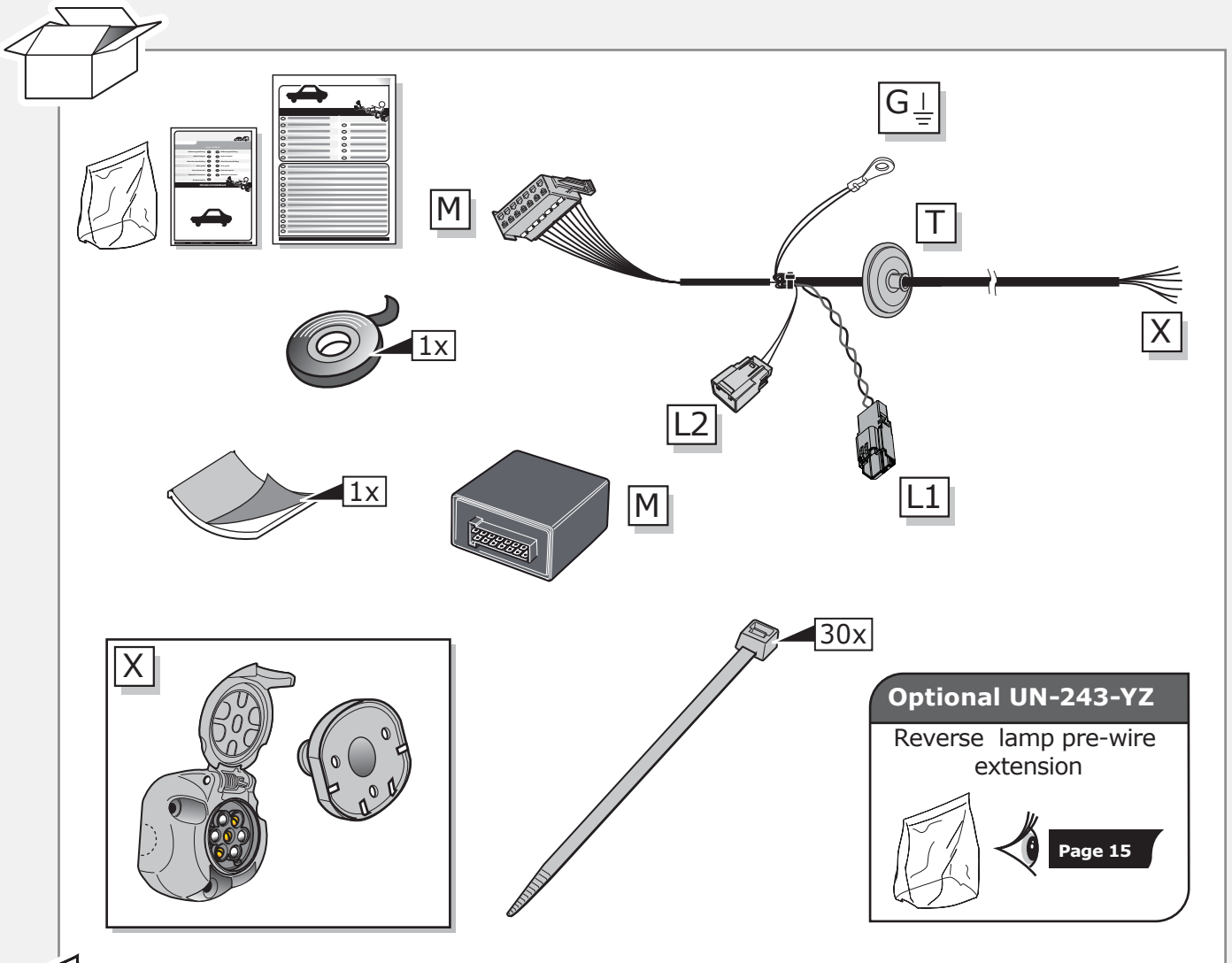


Partnr.: FR-083-B1U

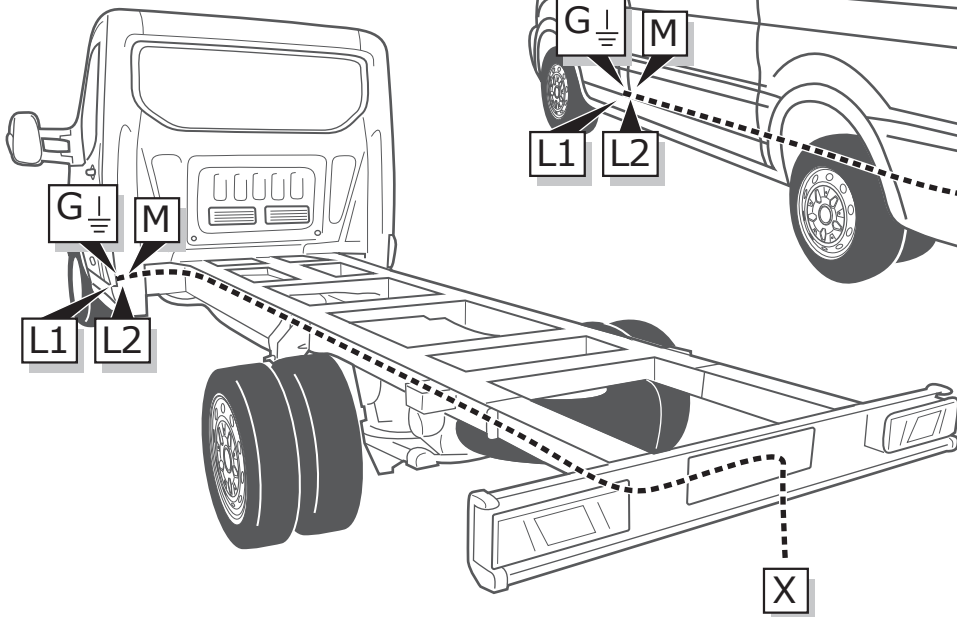
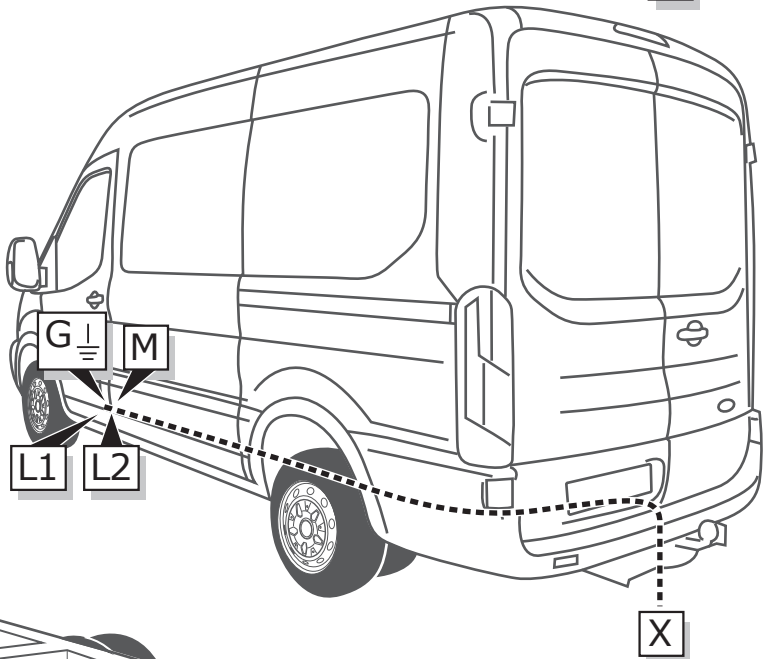
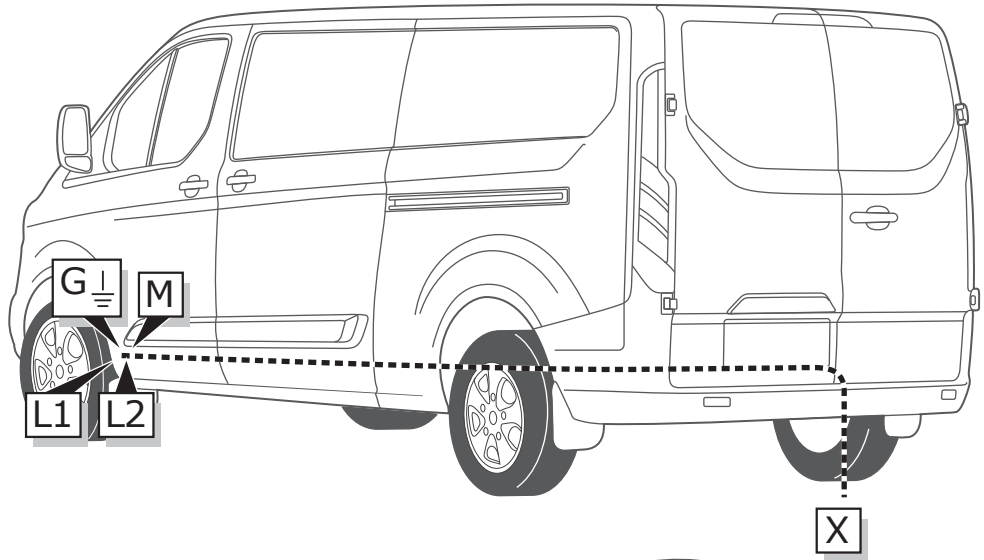
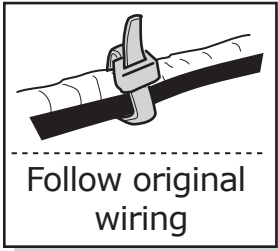
- Make sure the vehicle is approved/homologated by the manufacturer to tow a trailer!
- Fitting instructions electric wiring kit tow bar with 12-N socket up to DIN/ISO Norm 1724.
- We would expressly point out that assembly not carried out properly by a competent installer will result in cancellation of any right to damage compensation, in particular those arising by virtue of the product liability act.
- Contents of these kits and their fitting manuals are subject to alteration without notice, please ensure that these instructions are read and fully understood before commencing installation.
- Do not overload circuits; the maximum loads per connection are detailed in this manual.
- Attention! Before Installation, please read this manual carefully and inform your customer to consult the vehicle owners manual to check for any vehicle modifications required before towing.
- In the event of functional problems, troubleshooting must be limited to about 0.5 hours, contact the technical support:  
ukts@ecs-electronics.com / 07440 202 052.



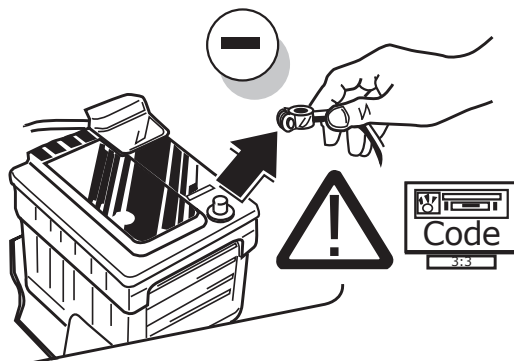
# Part list



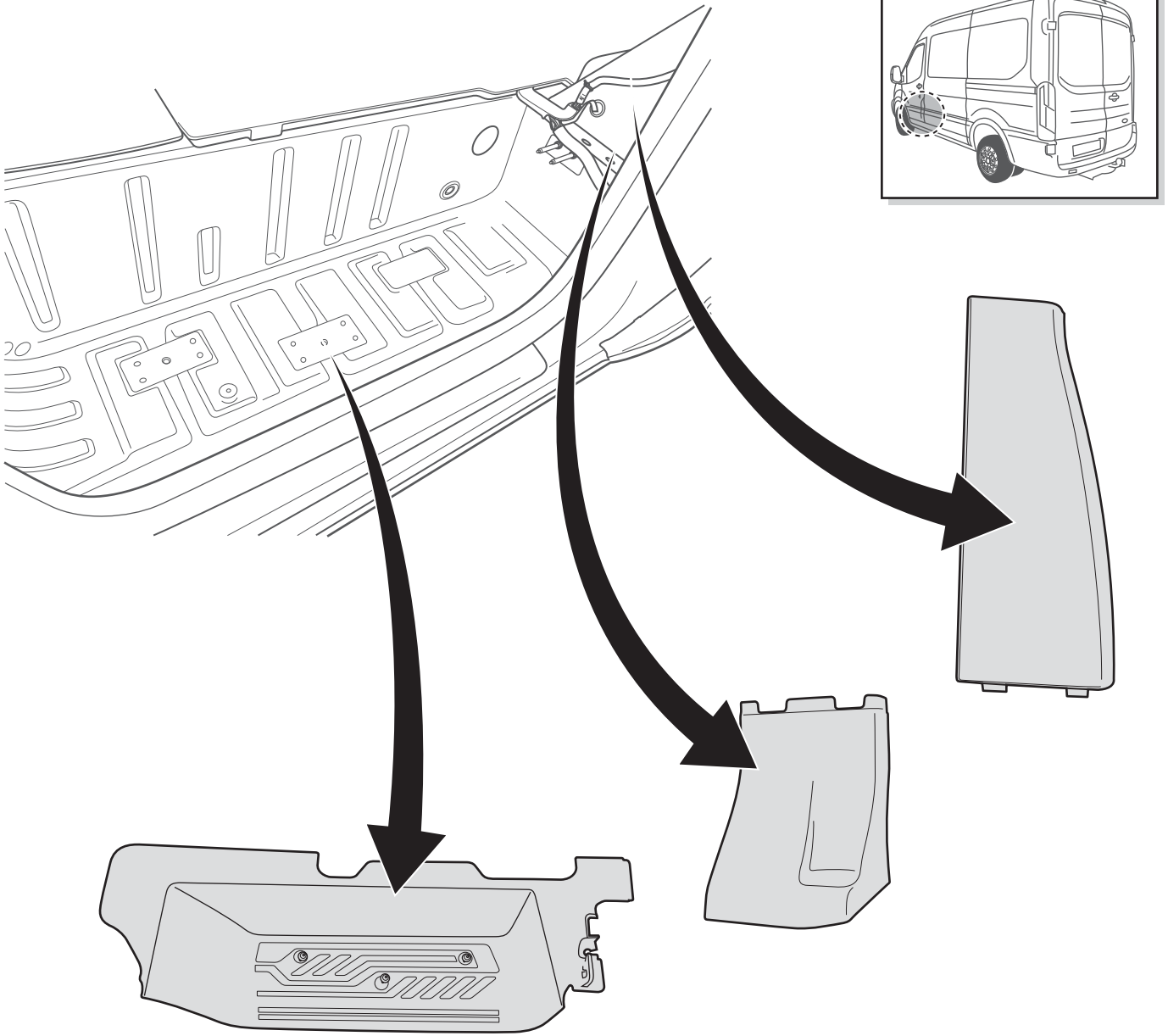
**ROUTING**



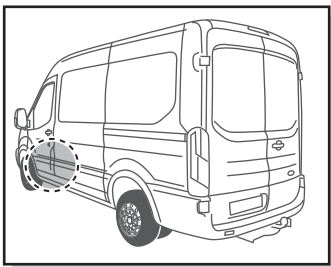
**1**



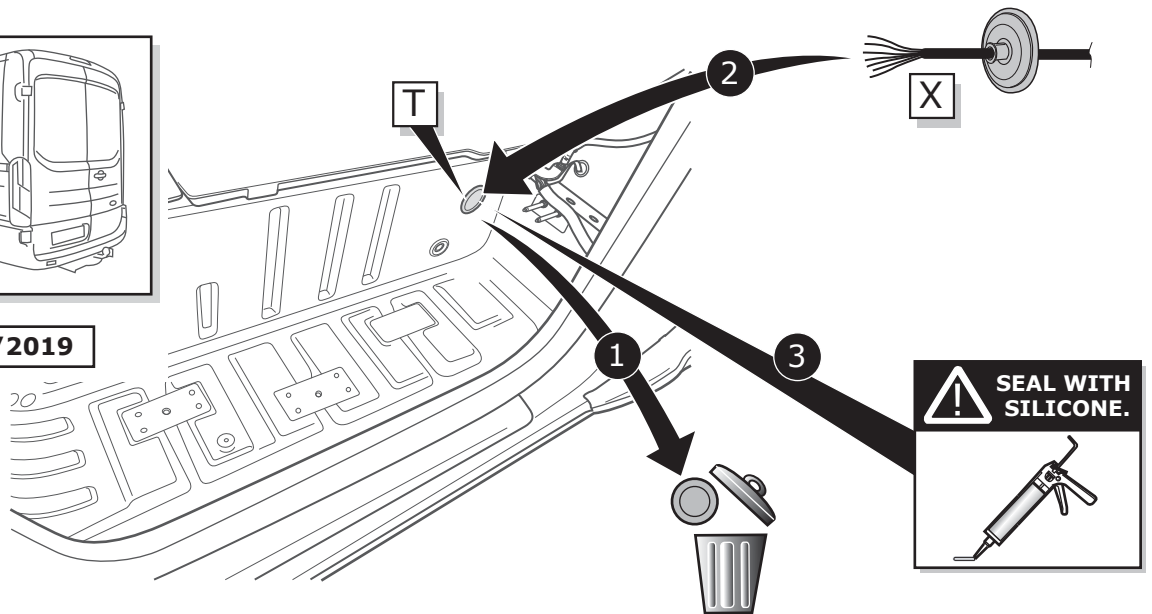
2



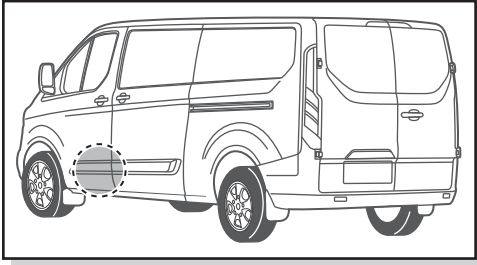
3



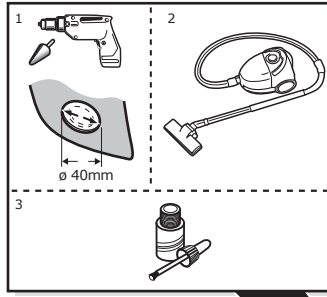
>> 06/2019



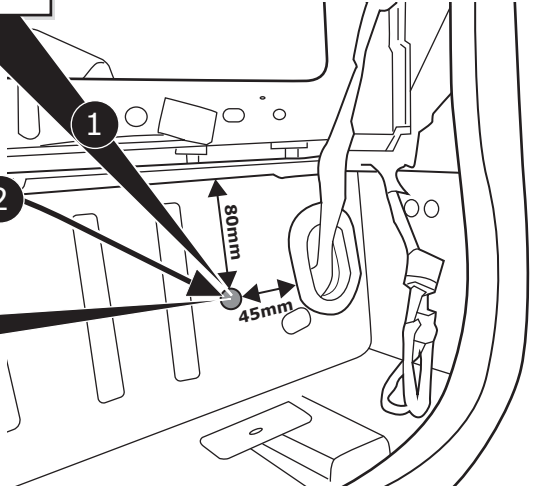
4



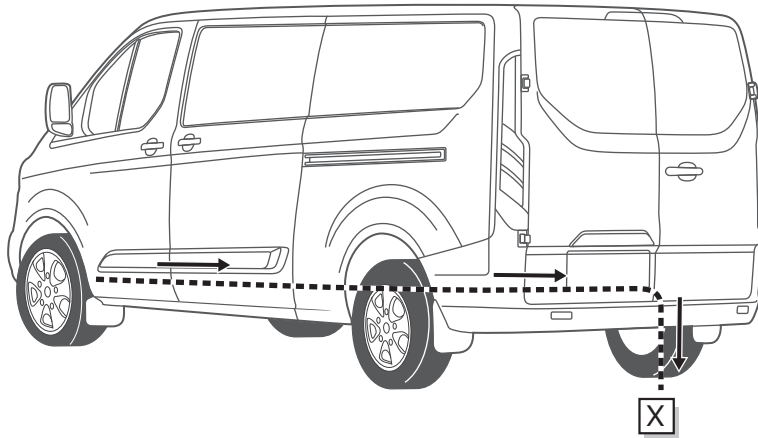
07/2019 >>



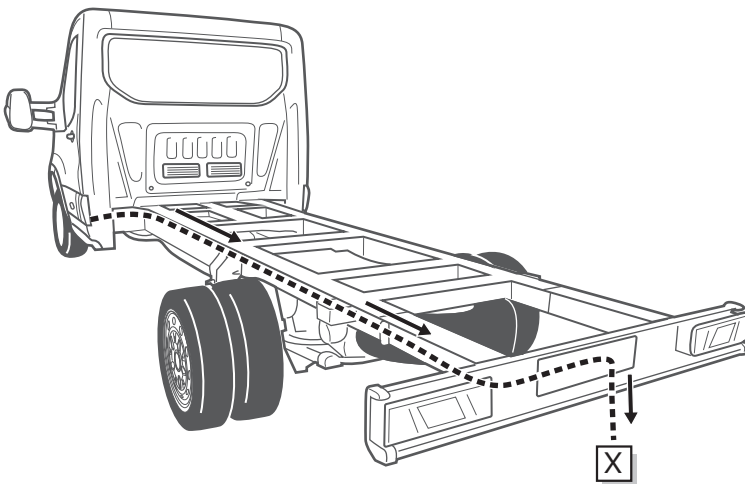
X



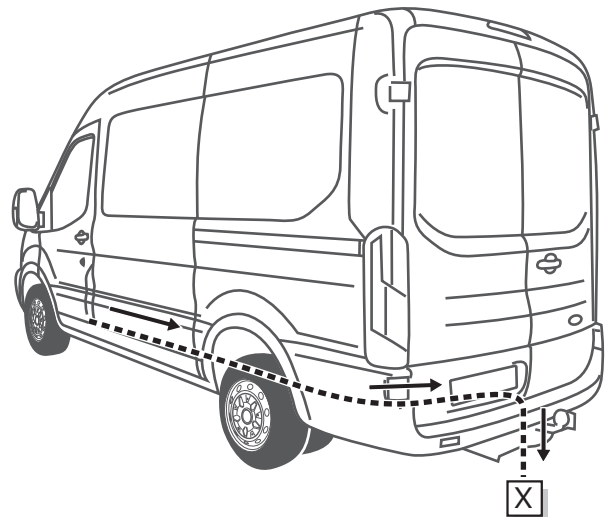
5



X

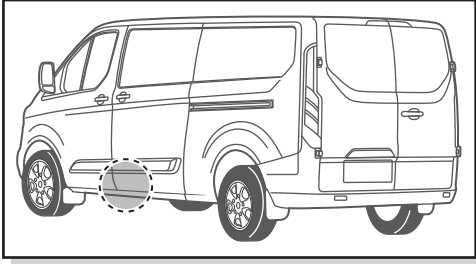


X

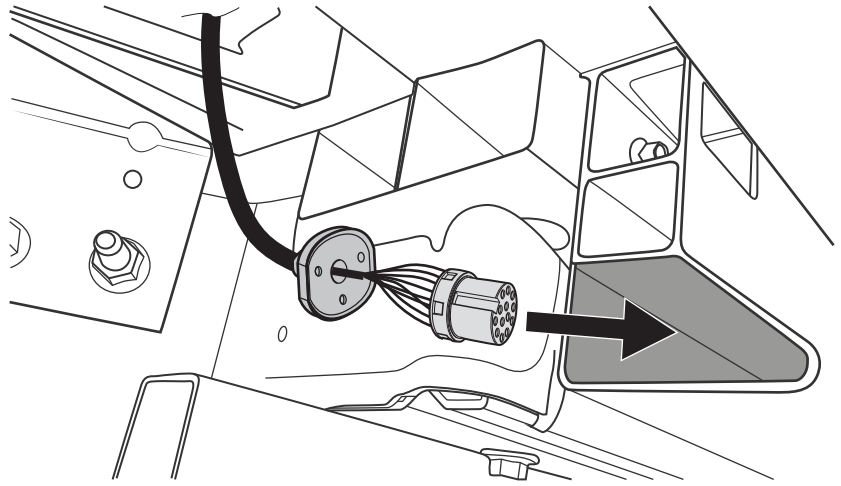


X

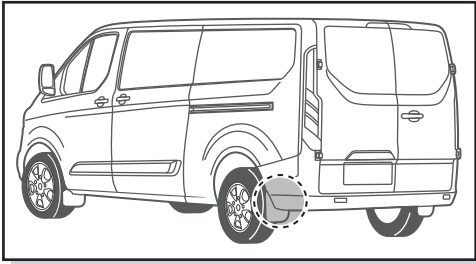
6



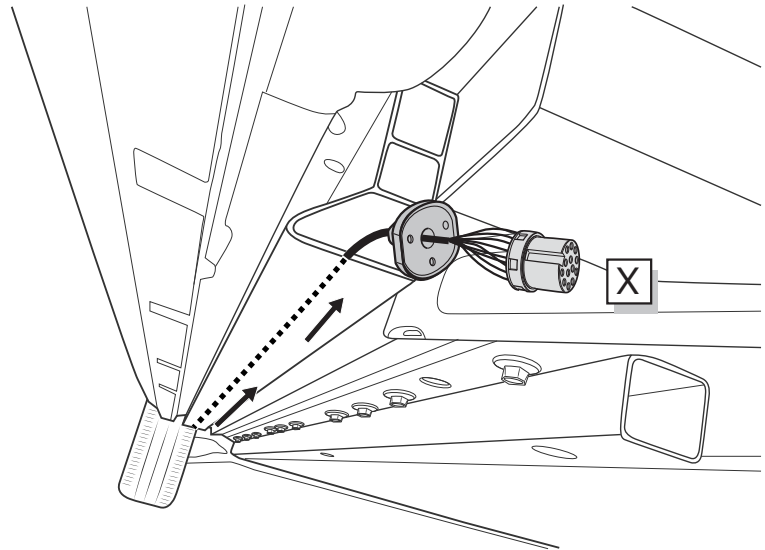
e-Transit 05/2022 >>



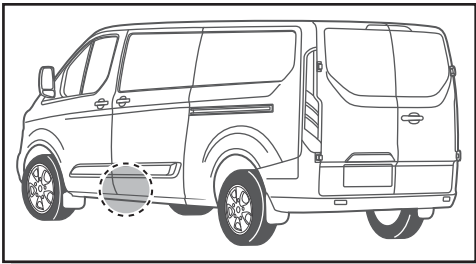
7



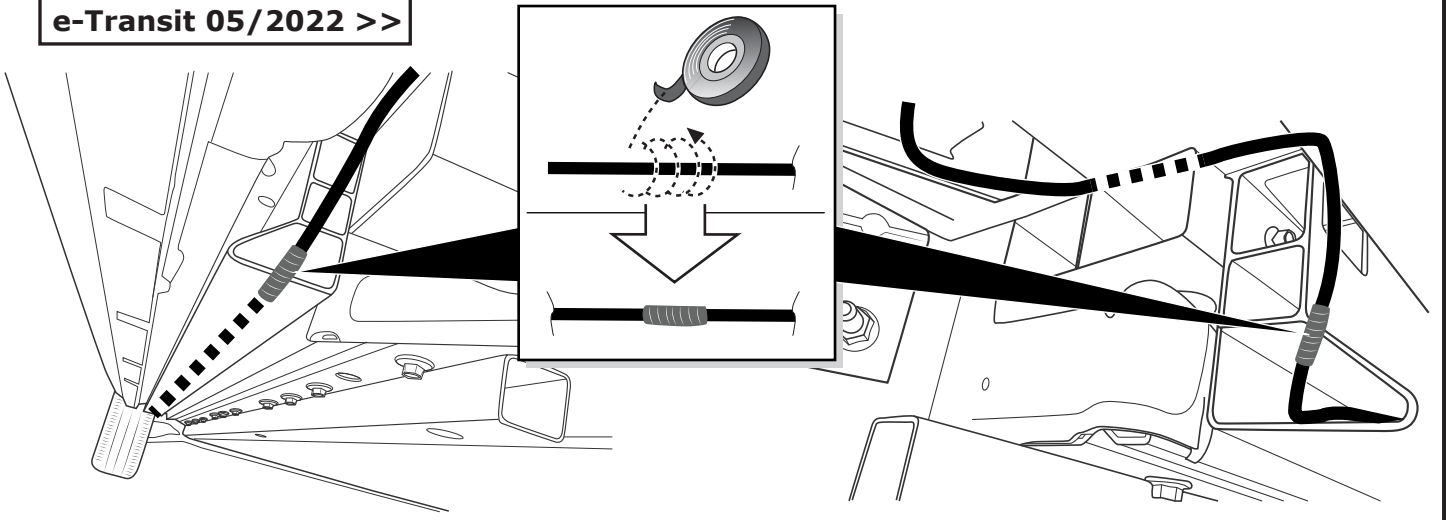
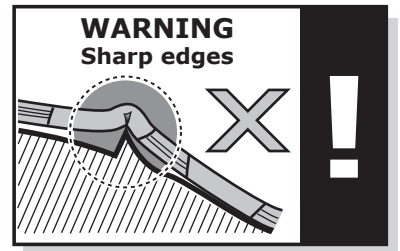
e-Transit 05/2022 >>



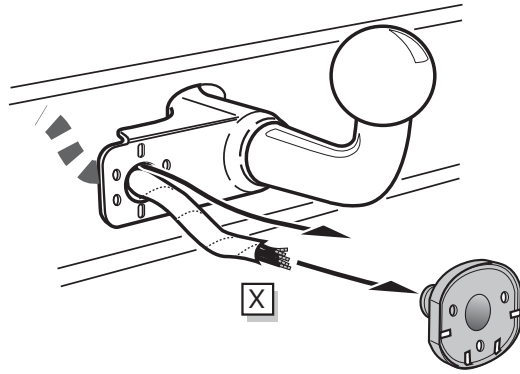
8



e-Transit 05/2022 >>



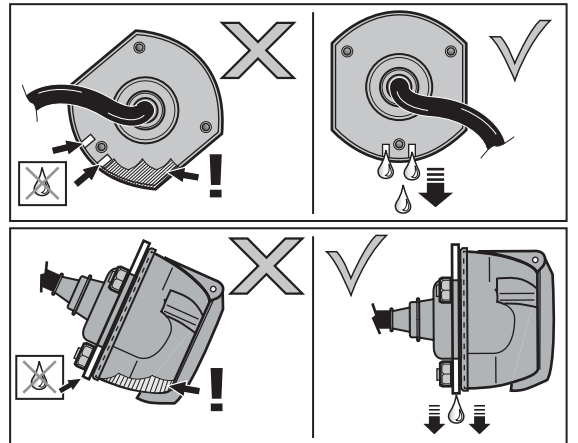
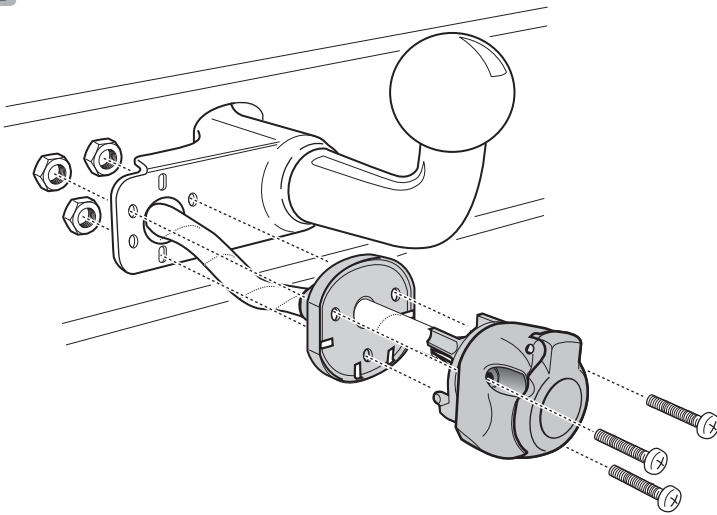
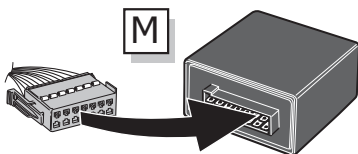
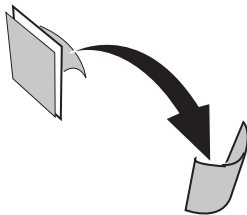
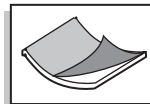
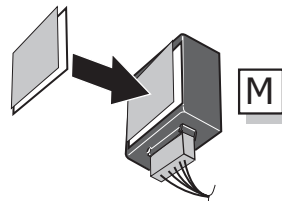
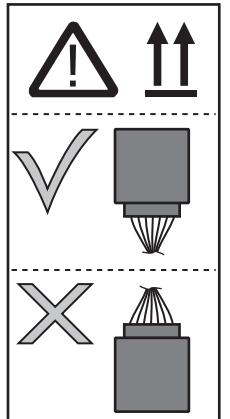
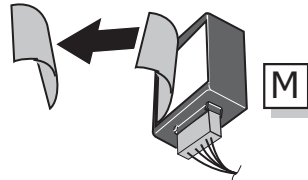


**A****INFO**

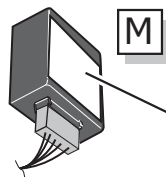
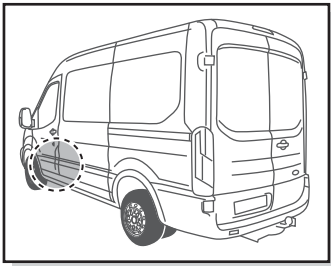
SOCKET CONNECTION



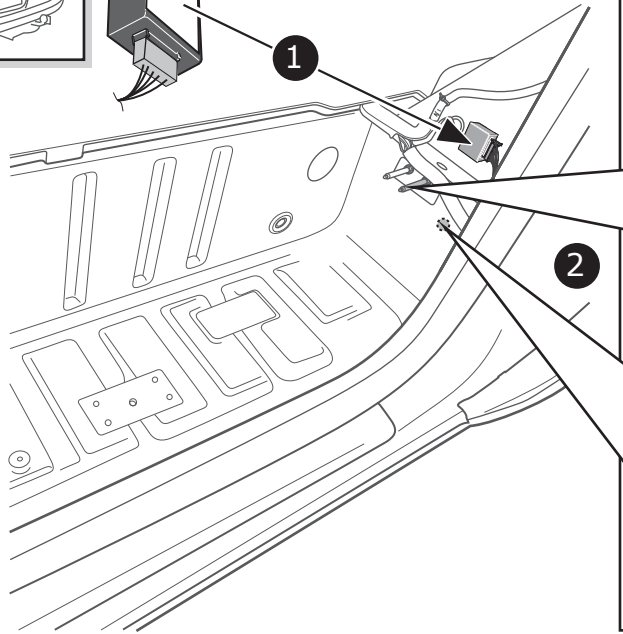
Page 16

**B****9****1****2****3****4**

10

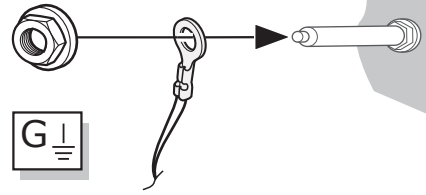


1

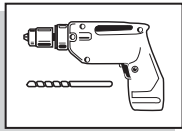
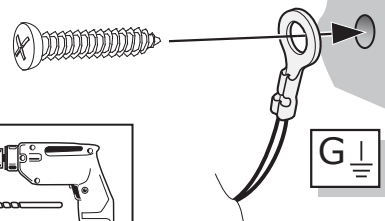


2

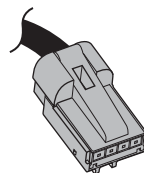
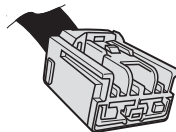
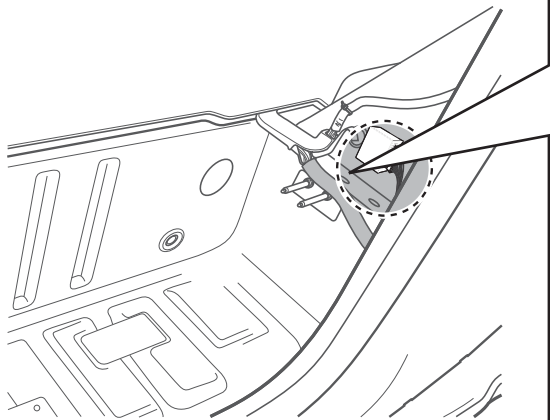
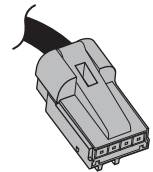
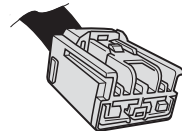
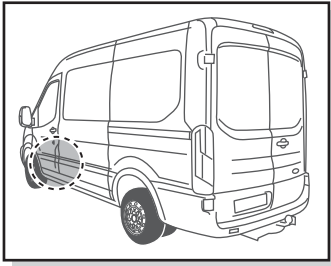
Option 1



Option 2



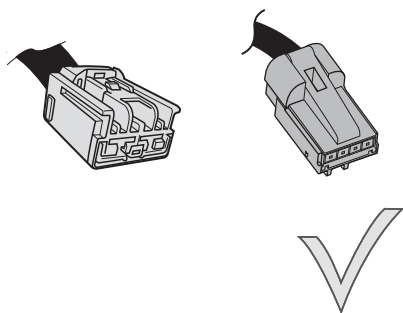
11



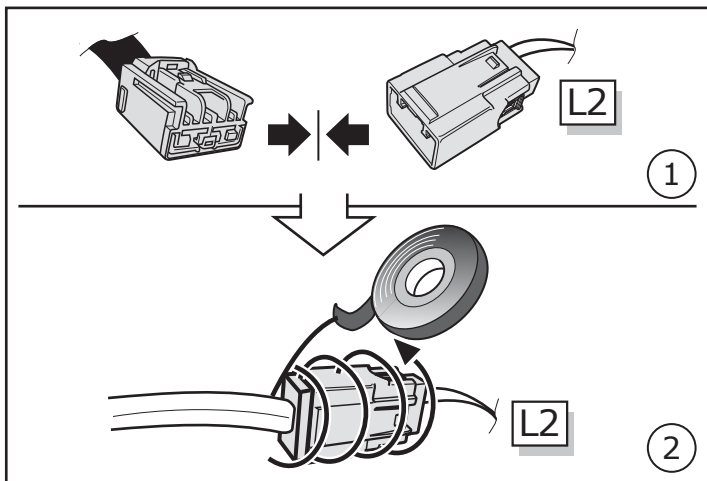
8



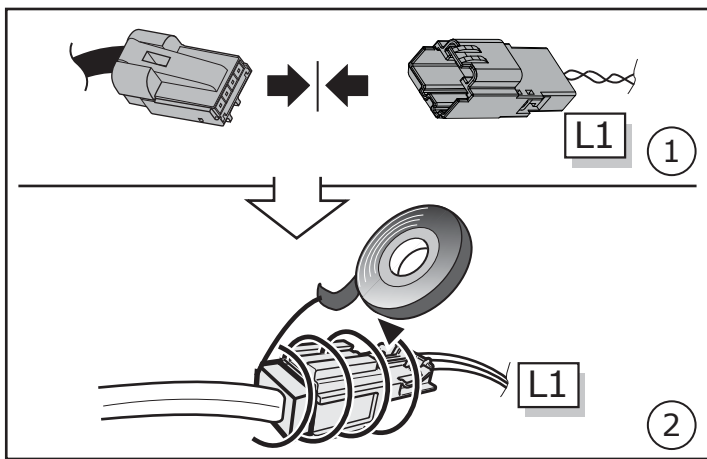
12



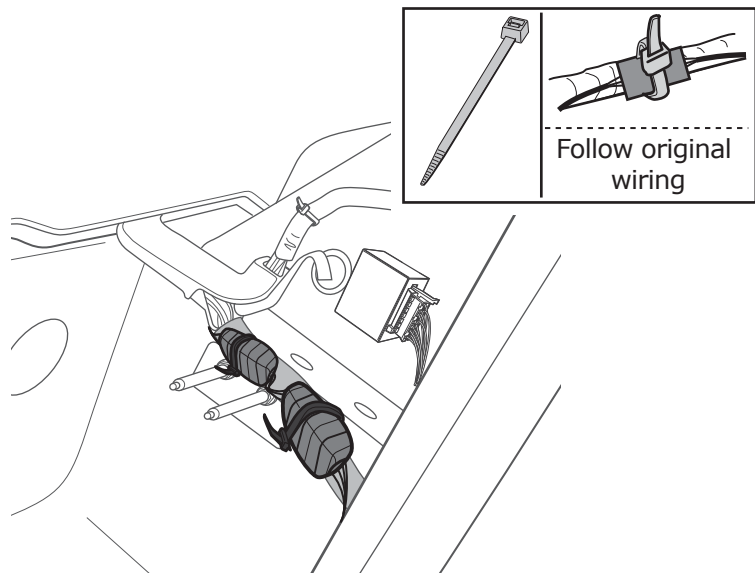
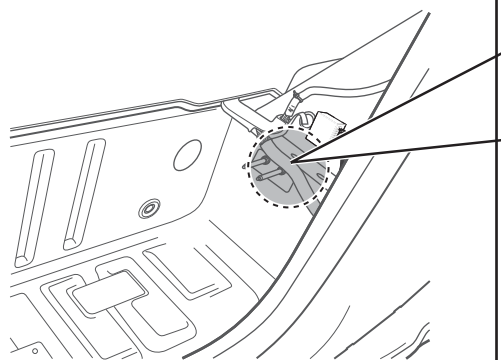
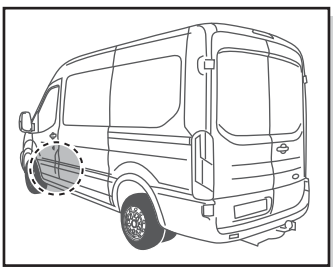
1



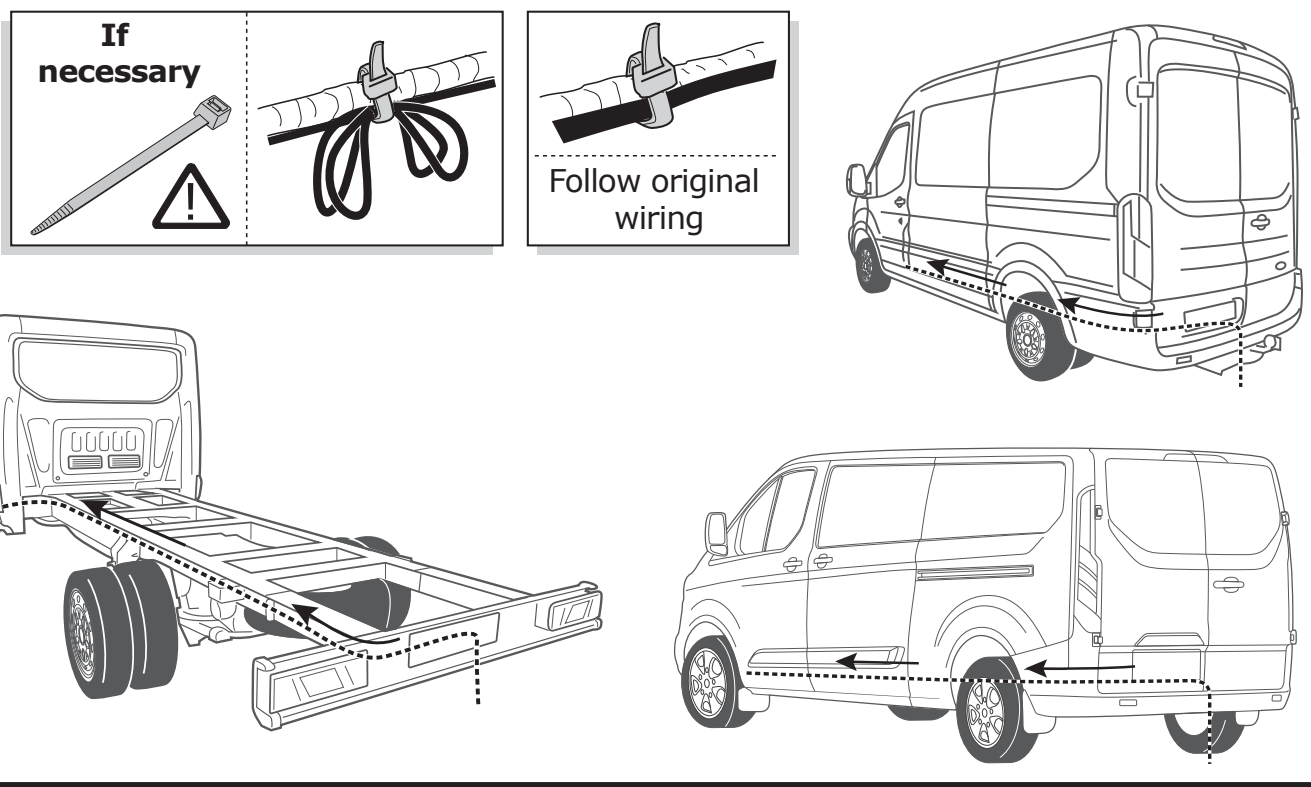
2



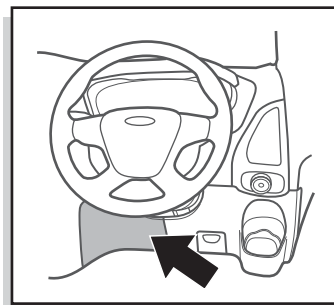
13



14

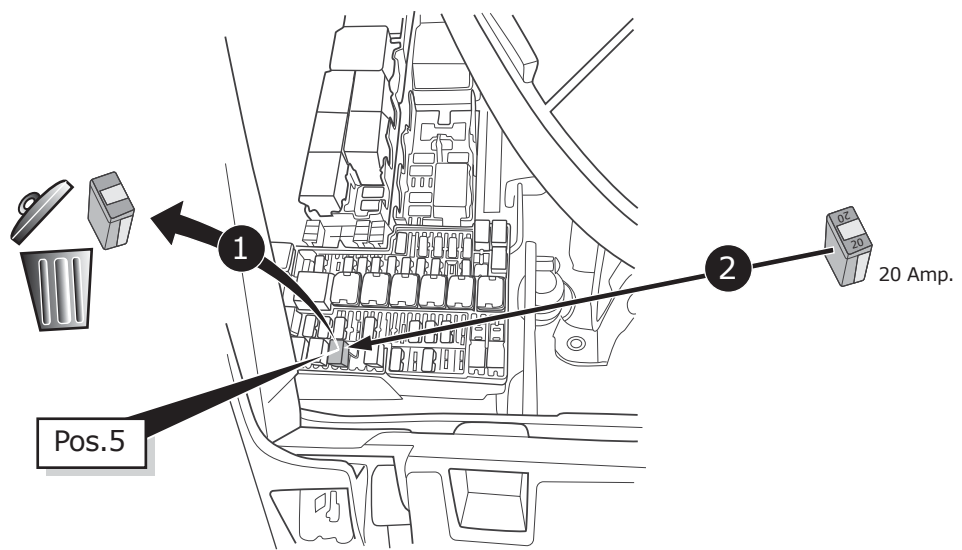


15

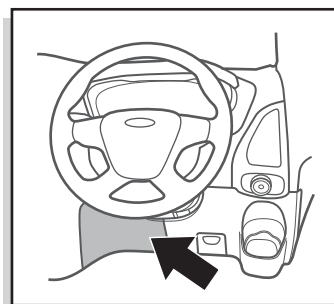


**Option 1**

>> 06/2019

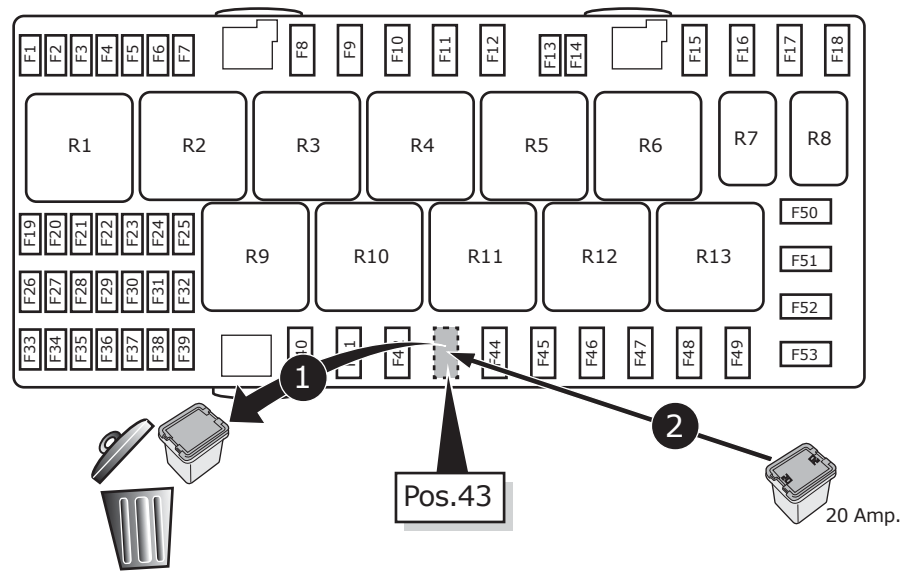


16

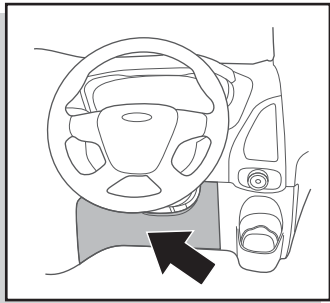


**Option 2**

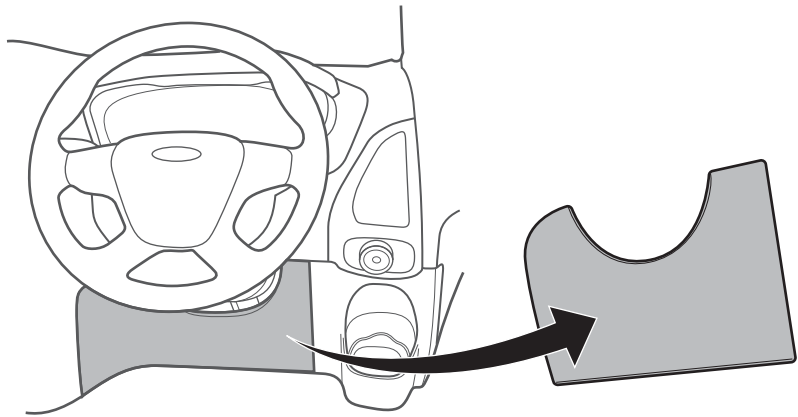
>> 06/2019



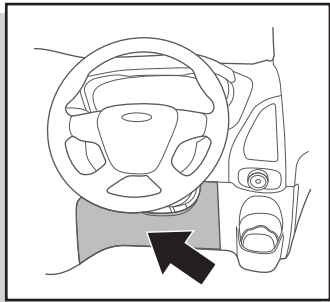
17



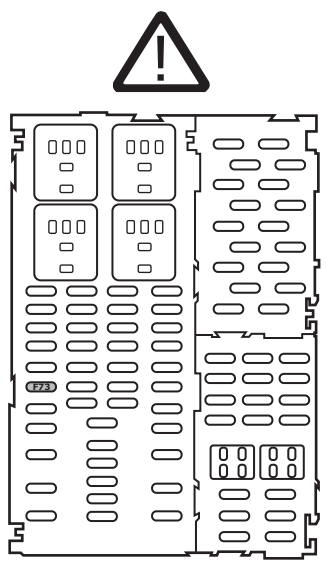
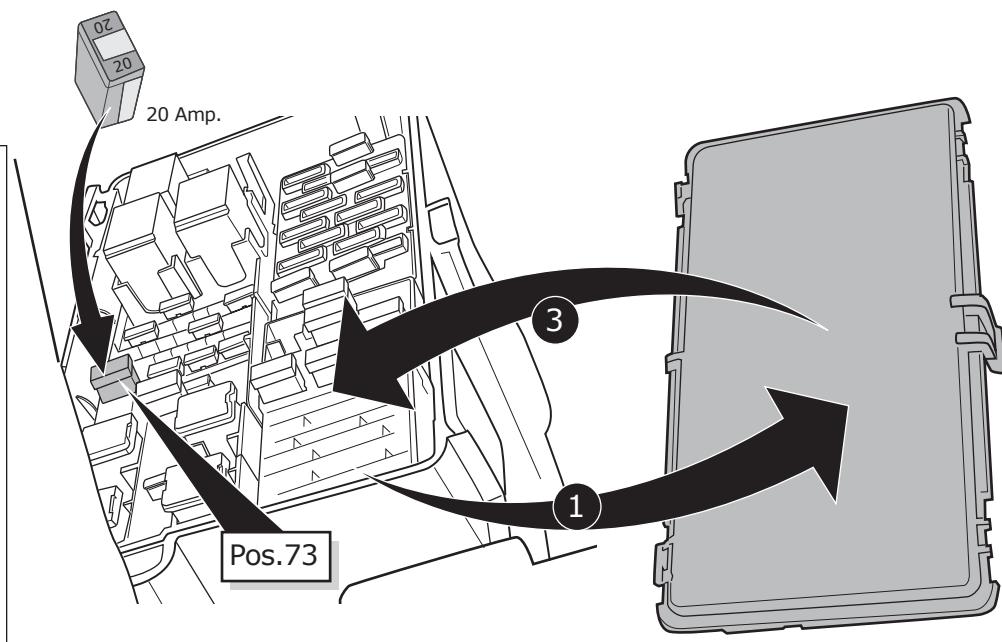
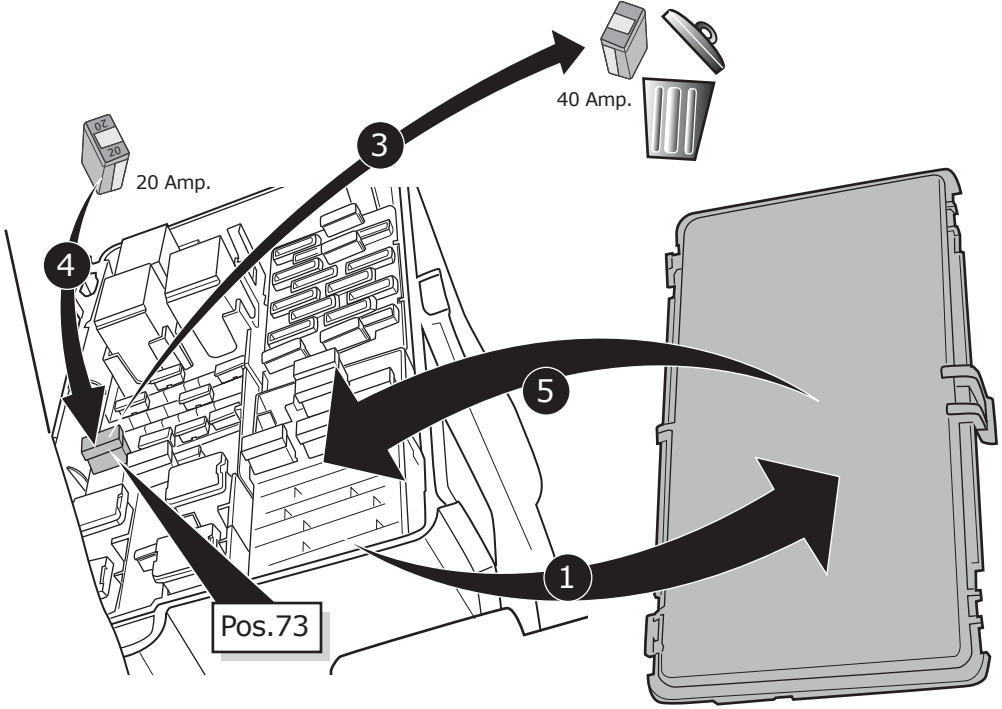
Stage 6.2 07/2019 >>

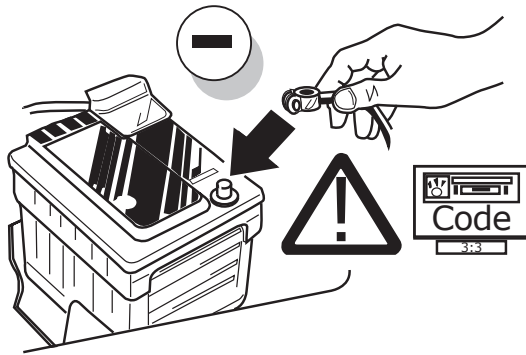


18

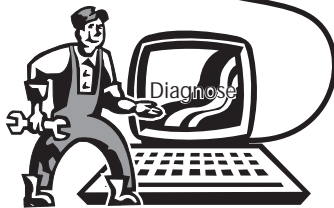
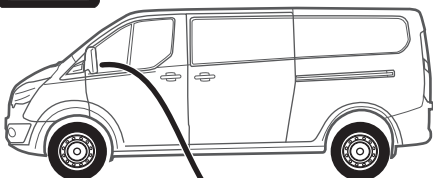


Stage 6.2 07/2019 >>





### Set up trailer operation



#### Option 1 ETIS-FDRS

Perform Online config as follows:

- Connect with Ford ETIS System
- Enter dealer number
- Enter vehicle VIN
- Run Network Test (If necessary)
- Vehicle Software
- Access Changes & Upgrades
- Towbar Configuration
- Press Command

**NOTE!** See additional control modules listed below as these need to be configured manually for Towbar. This is only possible once FORD technical systems have prepared these additional control units to accept configuration!

- PAM
- FCDIM
- SODL
- SODR

#### Option 2 ETIS-IDS

Perform Offline config as follows:

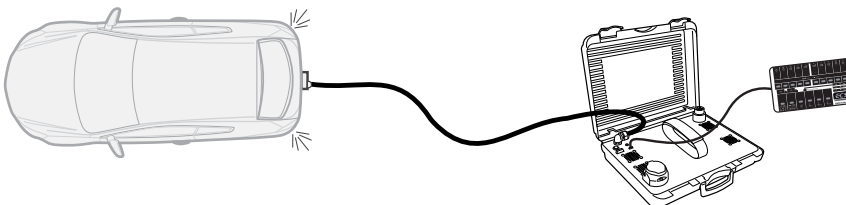
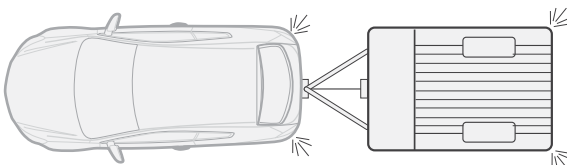
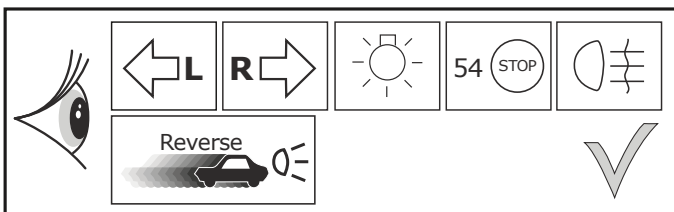
- Connect with Ford ETIS System
- Enter dealer number
- Enter vehicle VIN
- Run Network Test (If necessary)
- Scroll to 'Electrical'
- Service Functions
- Trailer Tow Configuration

*If error message appears, it relates to access to IPC which may not yet configured by Ford!*

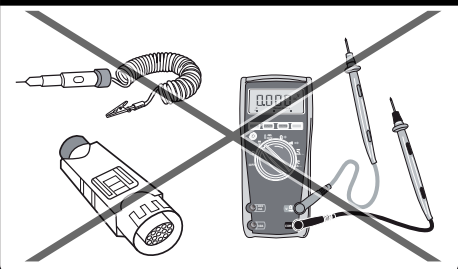
**NOTE!** See additional control modules listed below as these need to be configured manually for Towbar. This is only possible once FORD technical systems have prepared these additional control units to accept configuration!

- PAM
- FCDIM
- SODL
- SODR

### Functional test



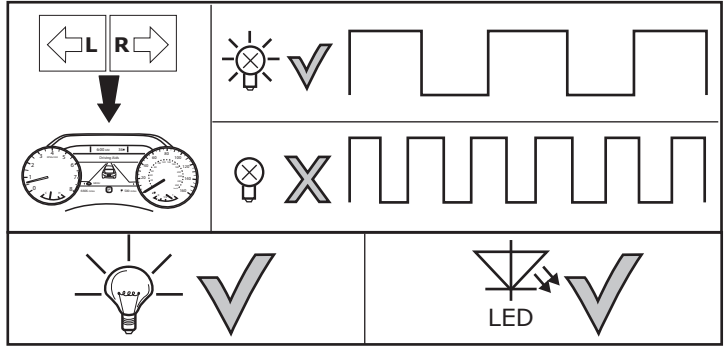
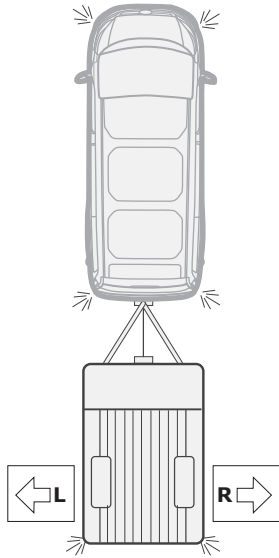
## WARNING



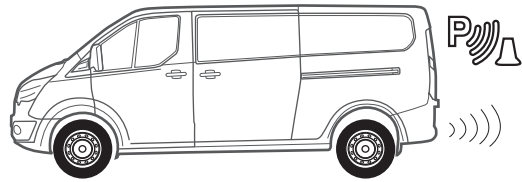
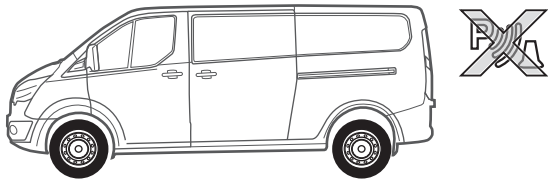
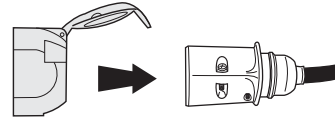
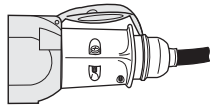
**LIGHT MATE**

**ECS** part no.  
**LIGHTMATE II**  
**LIGHTMATE III**

22



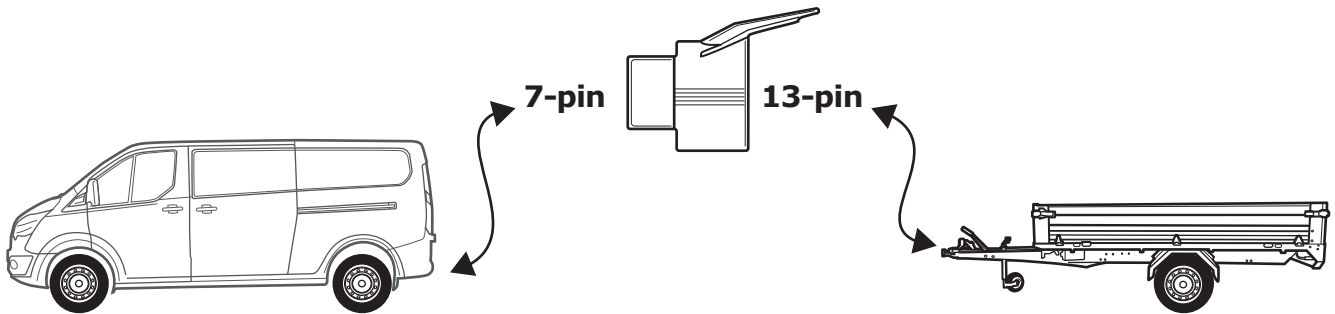
23

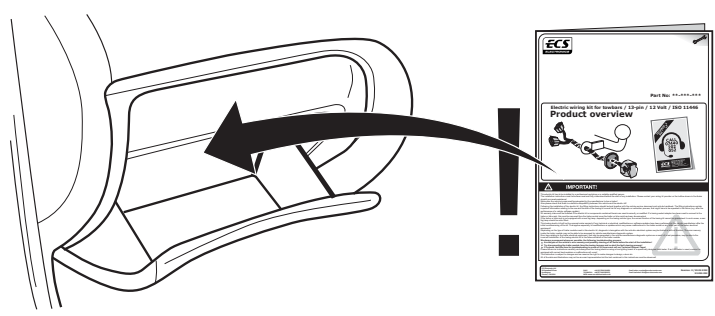
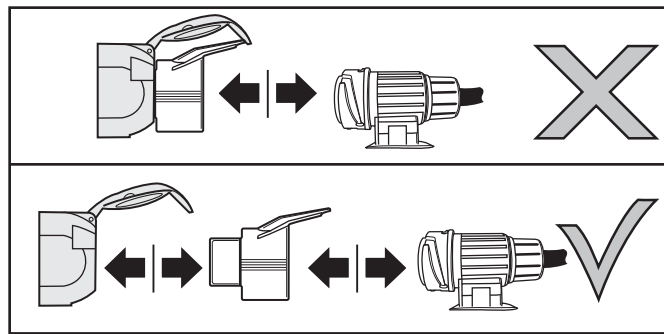
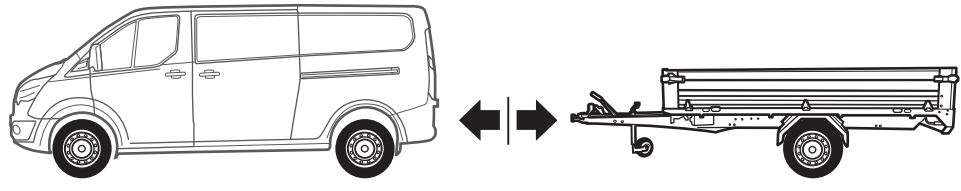


24

**Optional**

**Adapter socket**





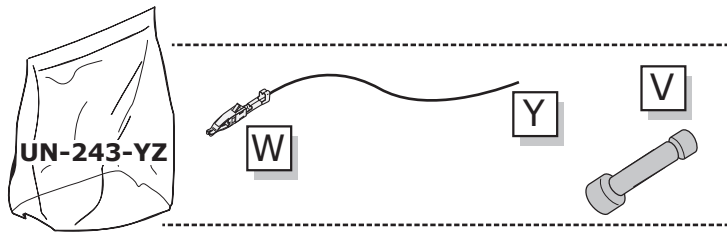
**TECHNICAL SUPPORT**

**CALL 07440 202 052**

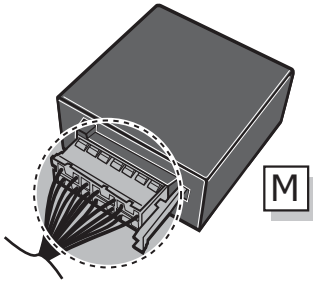
**ECS ELECTRONICS** MONDAY TO FRIDAY  
08.00 - 11.00 am  
12.00 - 05.00 pm  
ukts@ecs-electronics.com  
www.ecs-electronicsuk.co.uk

# UN-243-YZ Reverse lamp pre-wire extension

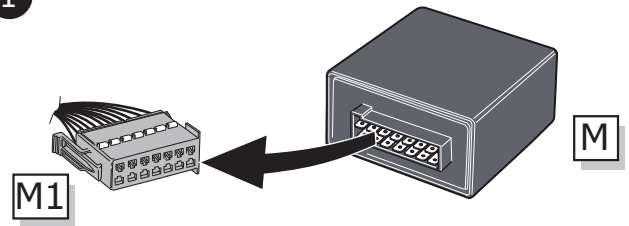
⚠ MAX = 21W



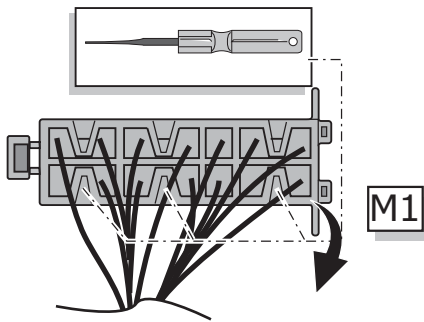
**A**



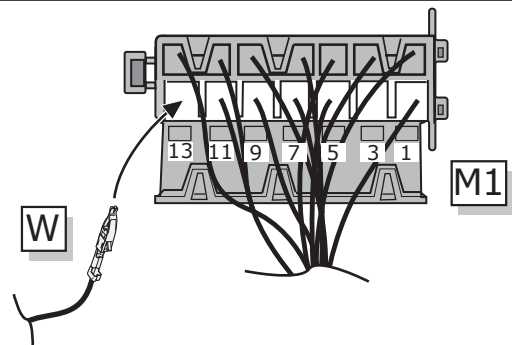
**1**



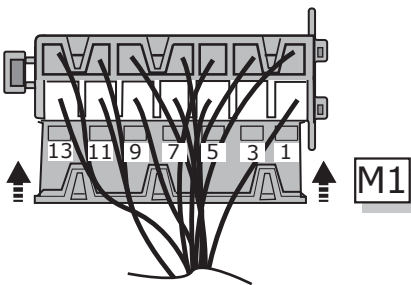
**2**



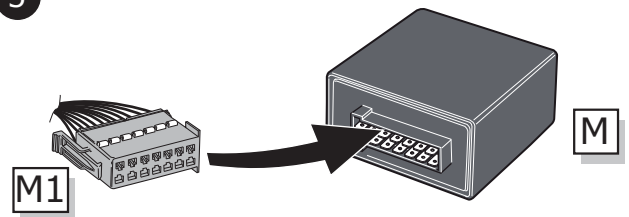
**3**



**4**

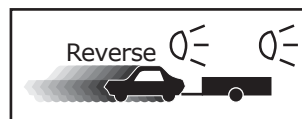
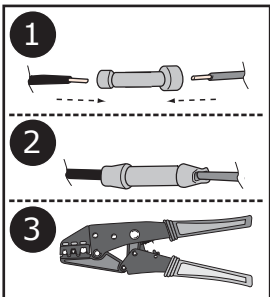


**5**



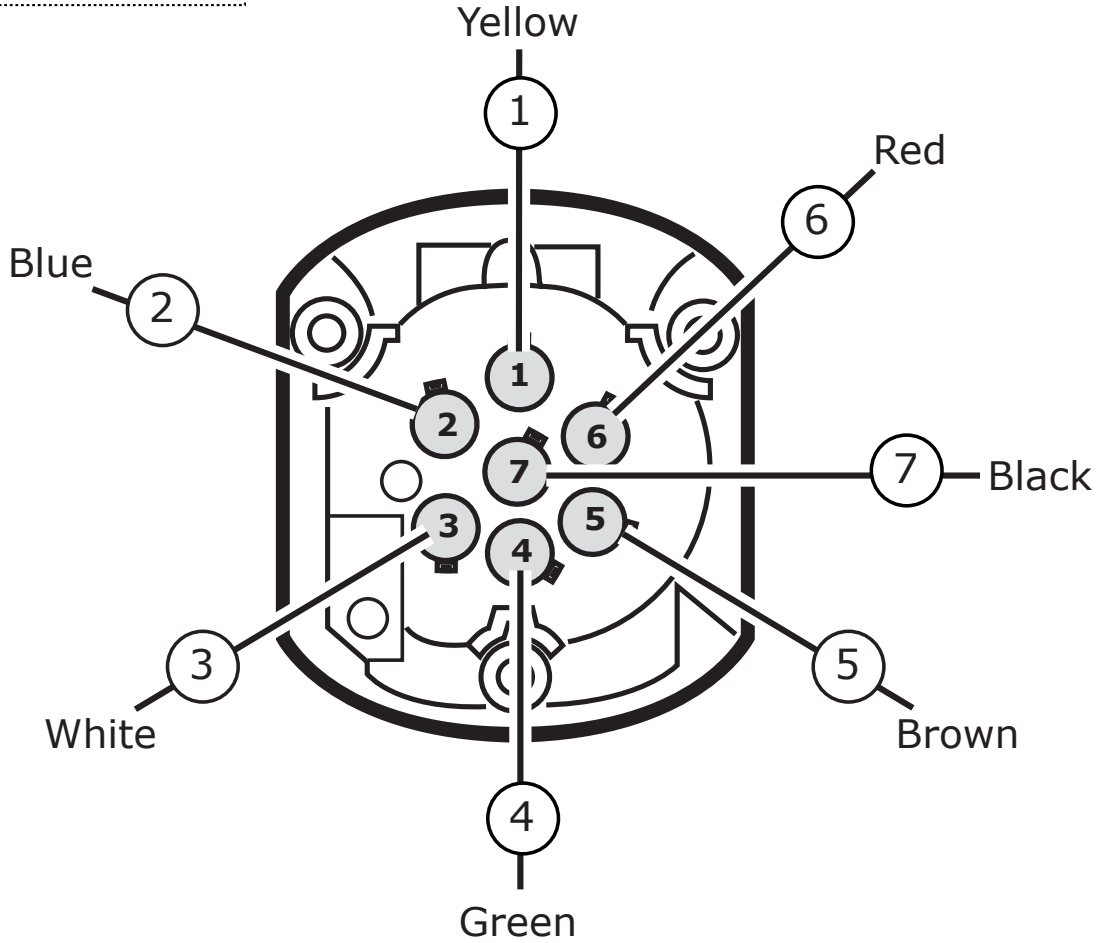
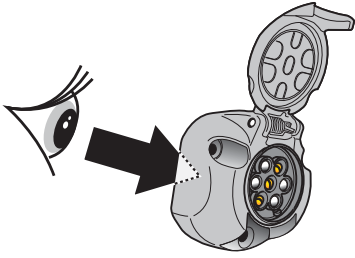
**B**

⚠ MAX = 21W





## SOCKET CONNECTION



## SOCKET CONNECTION

DIN/ISO 1724							
P <sub>max</sub>	21W	21W		21W	42W	3x21W	42W
Colour	Yellow	Blue	White	Green	Brown	Red	Black