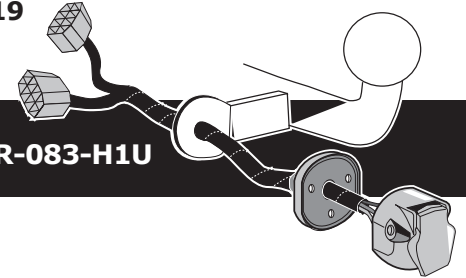


Ford Transit / Tourneo Custom (V362)	06/2016 >> 06/2019
Ford Transit / Tourneo Custom (V362 Stage 6.2)	07/2019 >> 06/2023
Ford Tourneo Custom Active	12/2020 >> 06/2023
Ford Transit Van / Chassis (V363)	06/2016 >> 06/2019
Ford Transit Van / Chassis (V363 Stage 6.2)	07/2019 >>
Ford E-Transit Van / Chassis	05/2022 >>

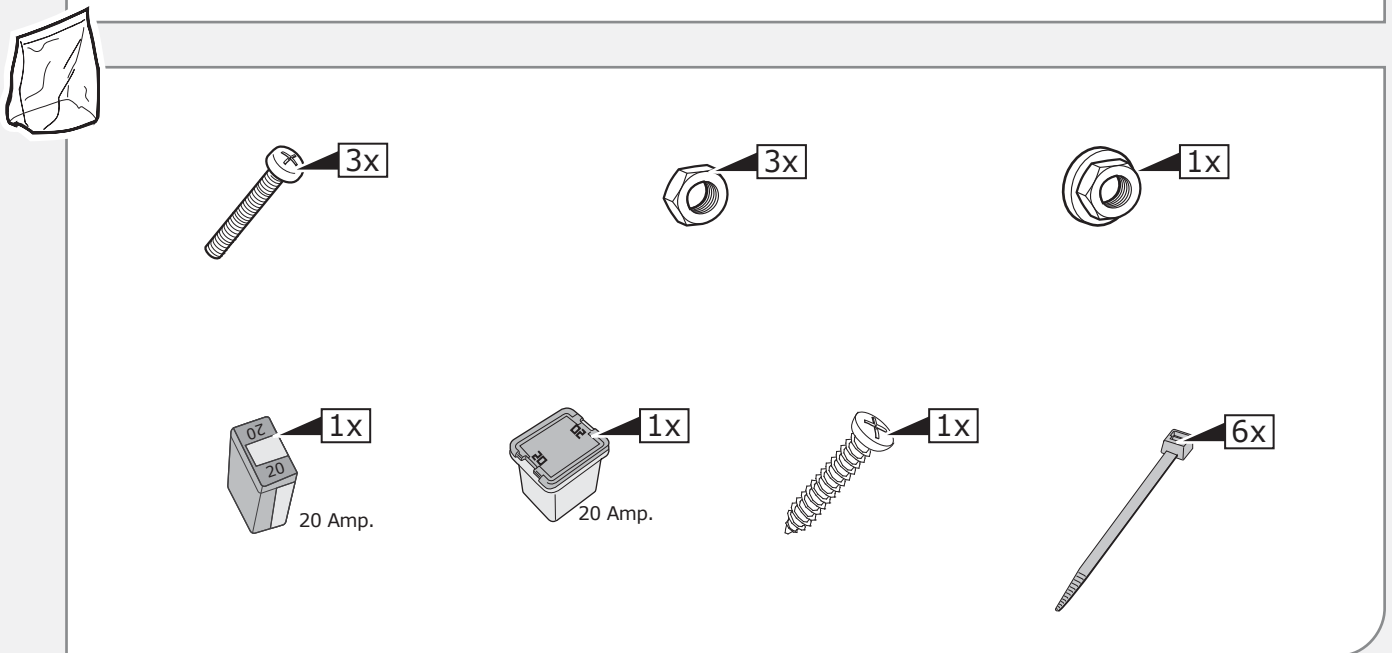
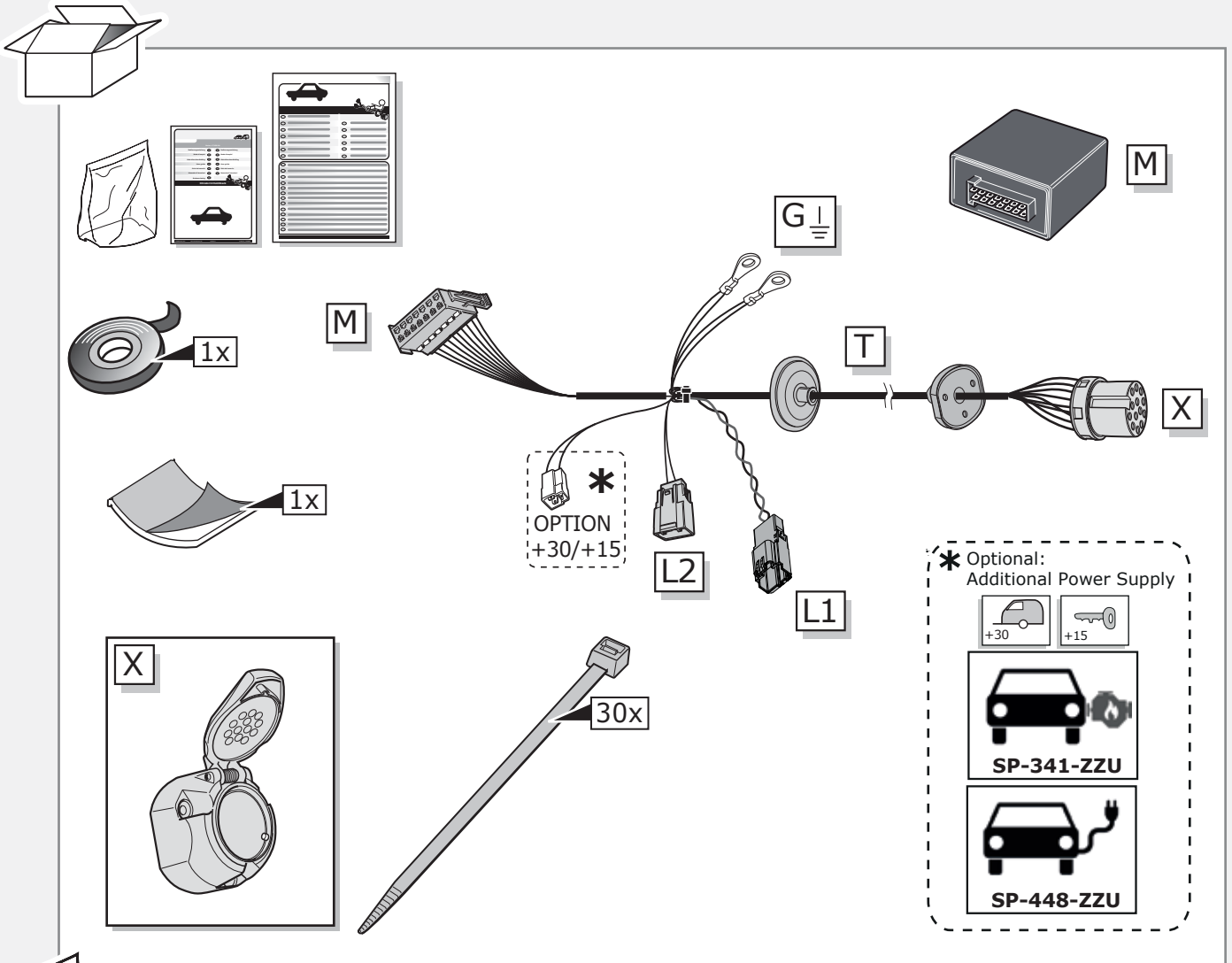


Partnr.: FR-083-H1U

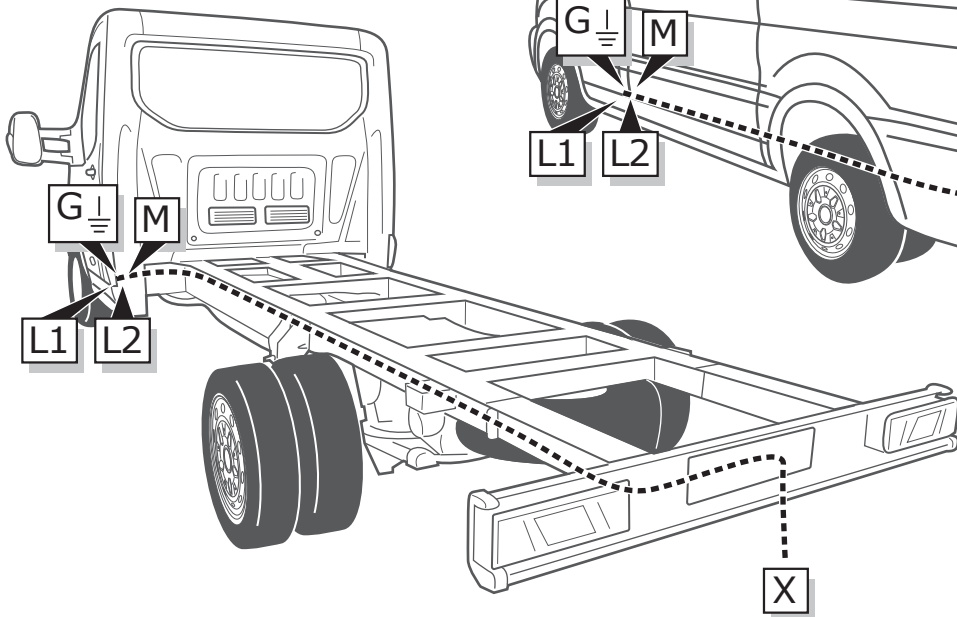
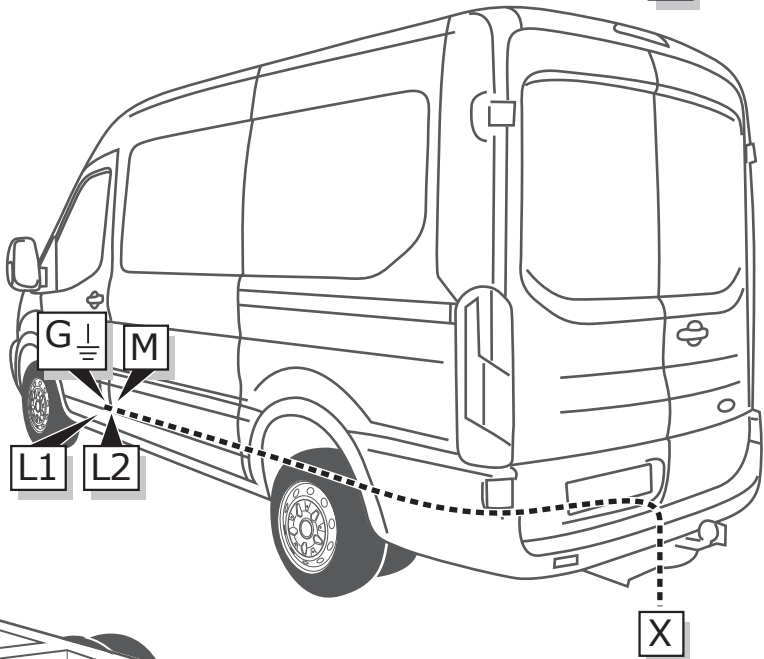
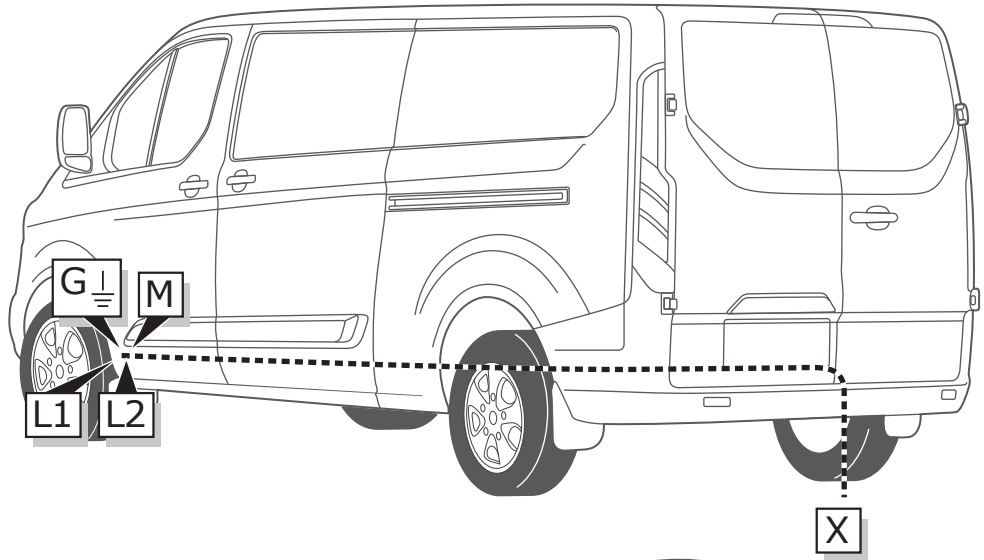
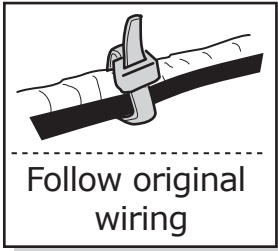
- Make sure the vehicle is approved/homologated by the manufacturer to tow a trailer!
- Fitting instructions electric wiring kit tow bar with 13-P socket up to DIN/ISO Norm 11446.
- We would expressly point out that assembly not carried out properly by a competent installer will result in cancellation of any right to damage compensation, in particular those arising by virtue of the product liability act.
- Contents of these kits and their fitting manuals are subject to alteration without notice, please ensure that these instructions are read and fully understood before commencing installation.
- Do not overload circuits; the maximum loads per connection are detailed in this manual.
- Attention! Before Installation, please read this manual carefully and inform your customer to consult the vehicle owners manual to check for any vehicle modifications required before towing.
- In the event of functional problems, troubleshooting must be limited to about 0.5 hours, contact the technical support:
ukts@ecs-electronics.com / 07440 202 052.



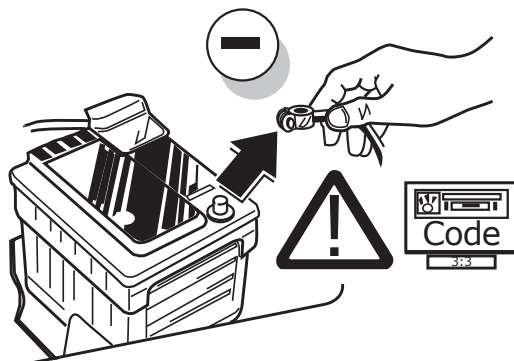
Part list



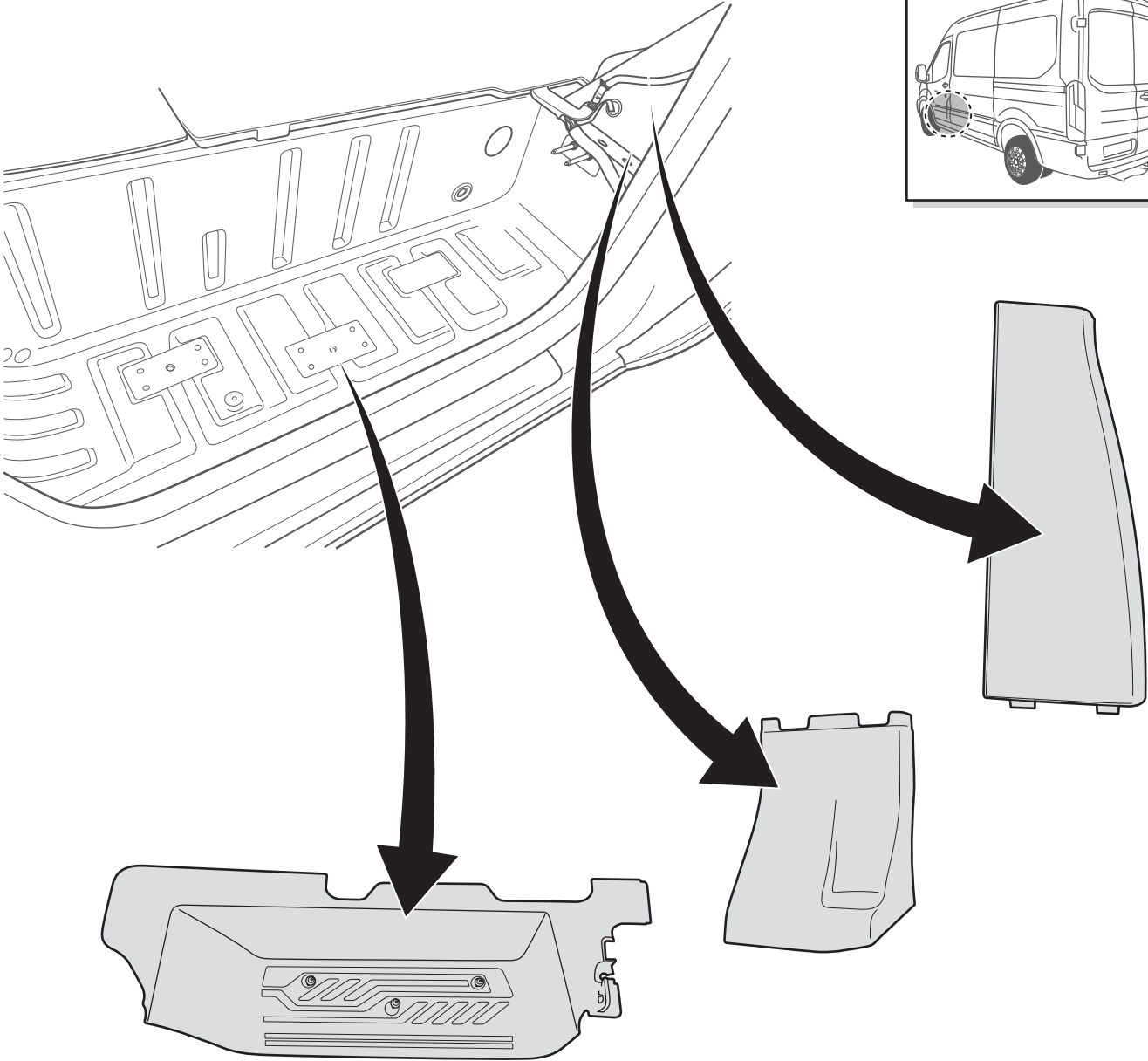
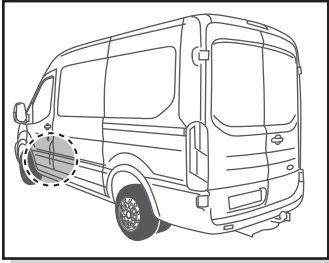
ROUTING



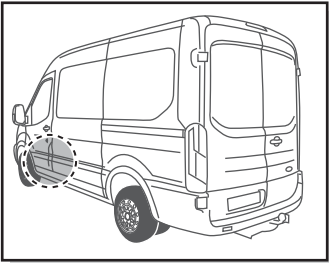
1



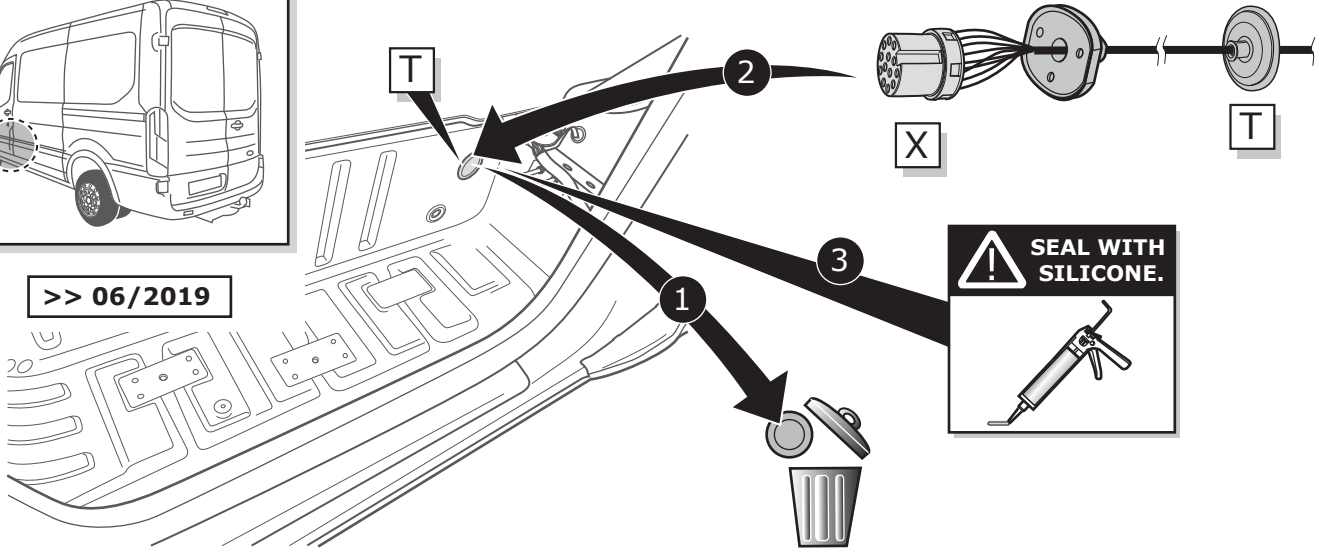
2



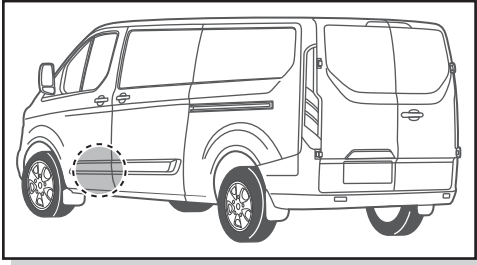
3



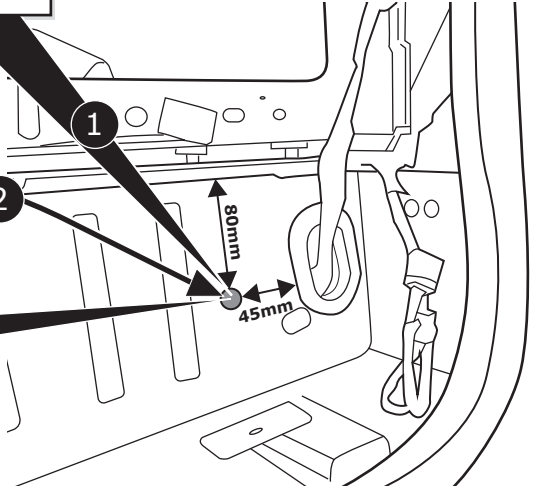
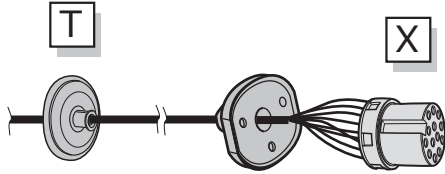
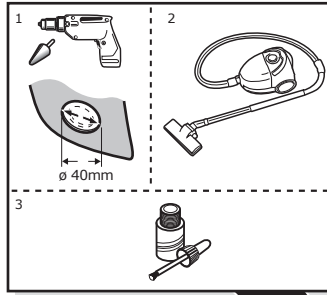
>> 06/2019



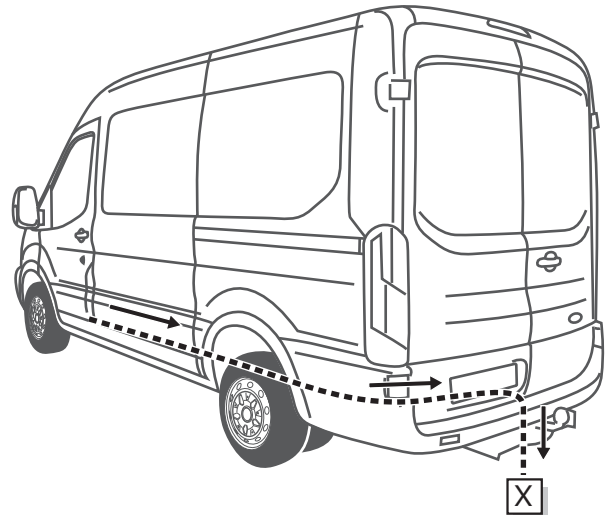
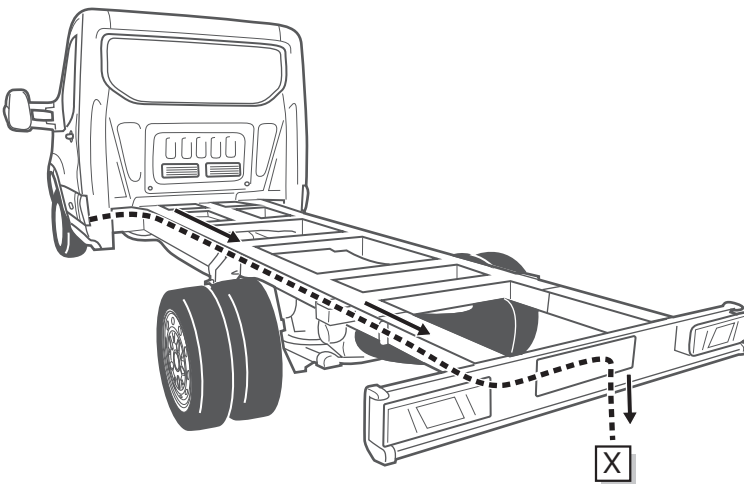
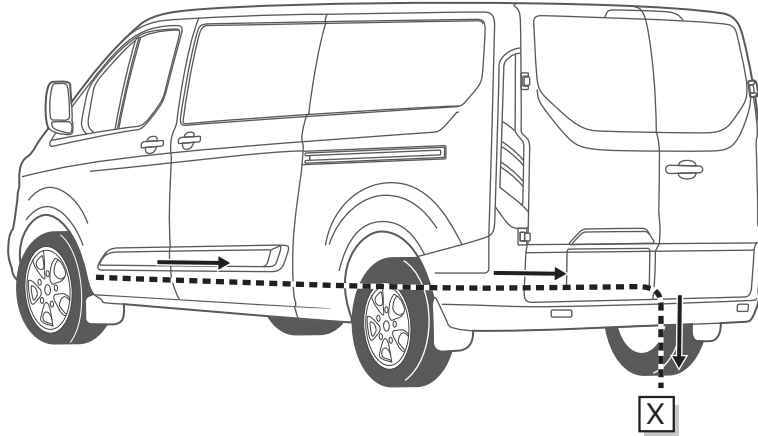
4



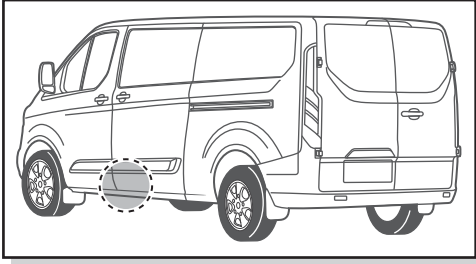
07/2019 >>



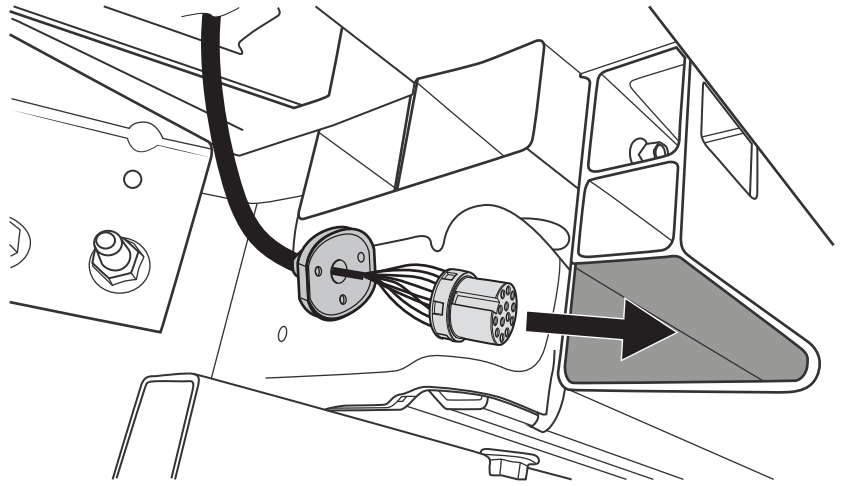
5



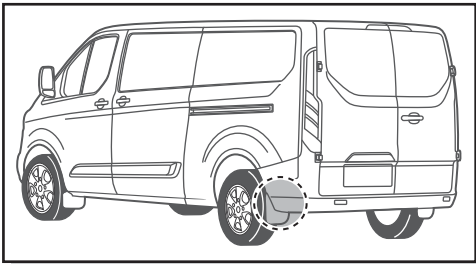
6



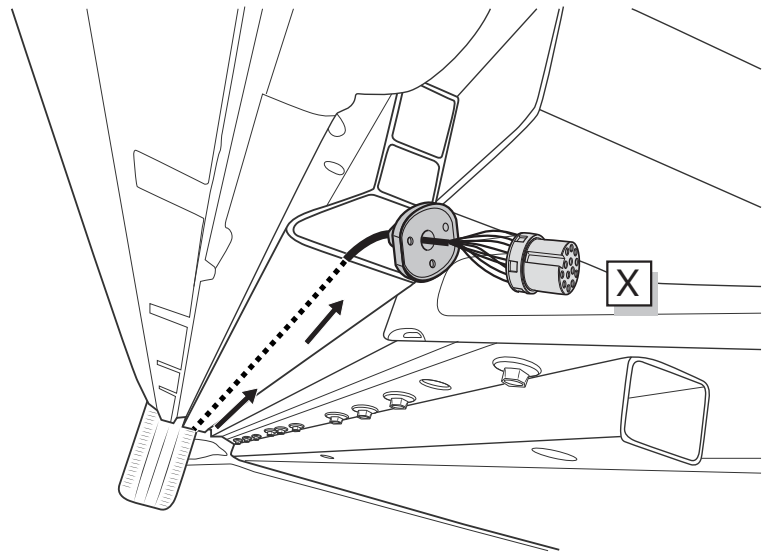
e-Transit 05/2022 >>



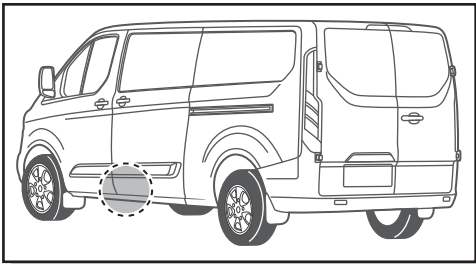
7



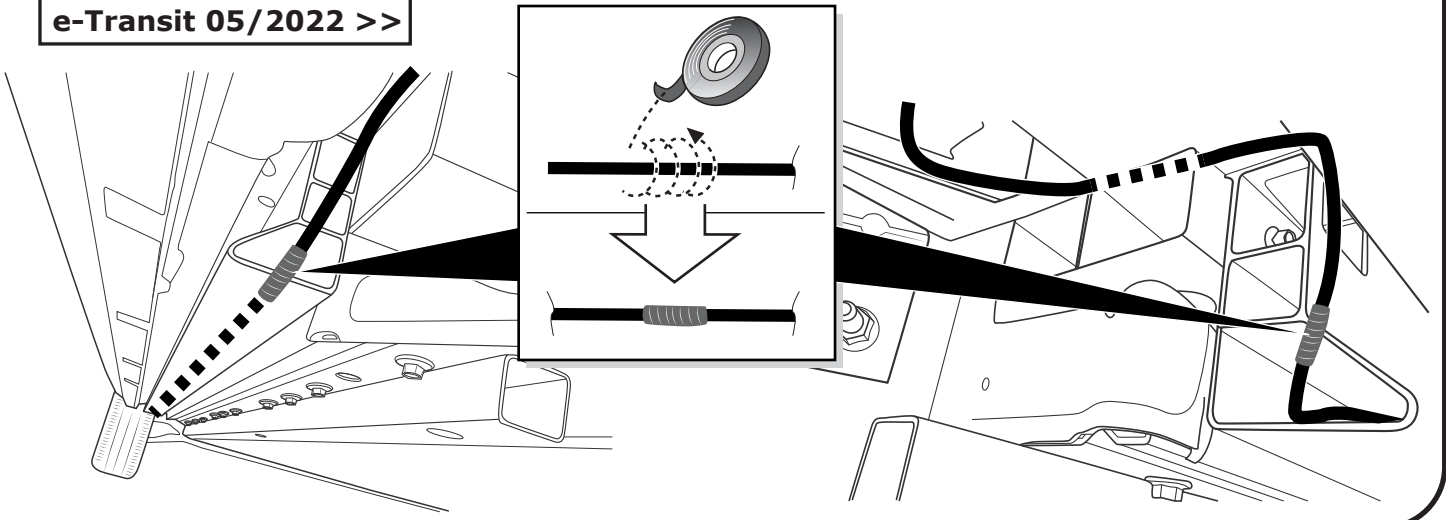
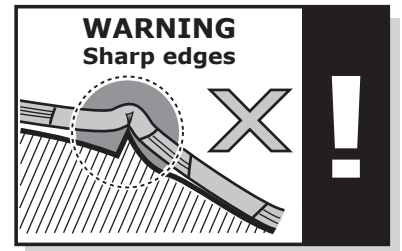
e-Transit 05/2022 >>



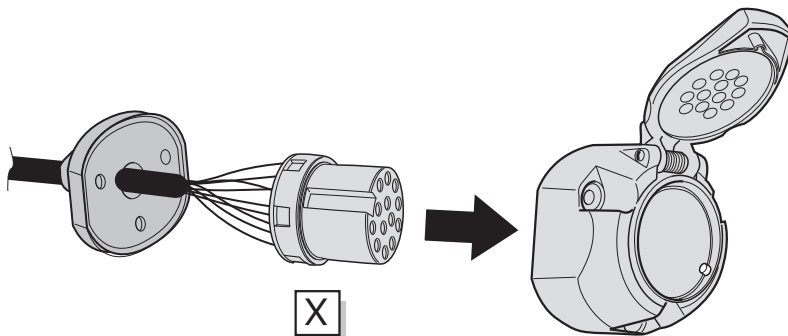
8



e-Transit 05/2022 >>



A



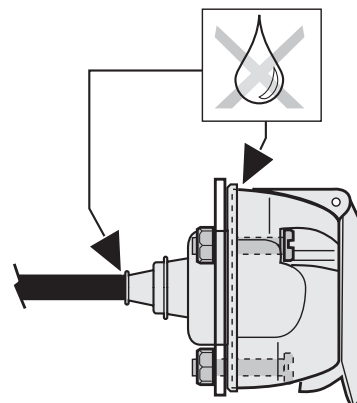
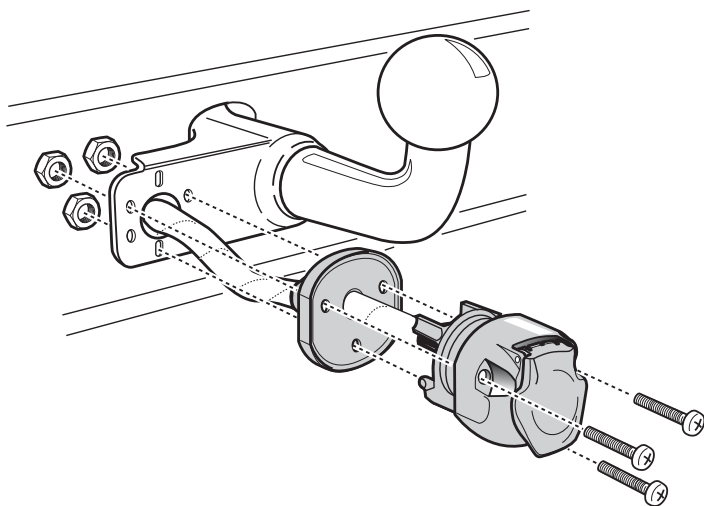
INFO

SOCKET CONNECTION



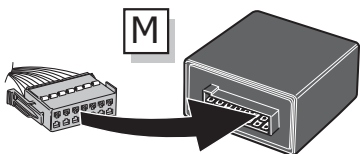
Page 15

B

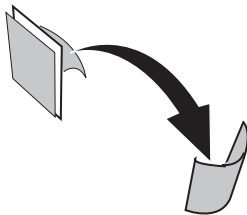
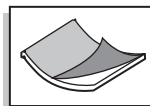


9

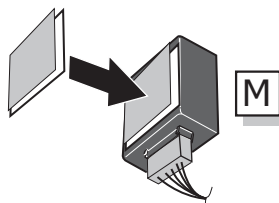
1



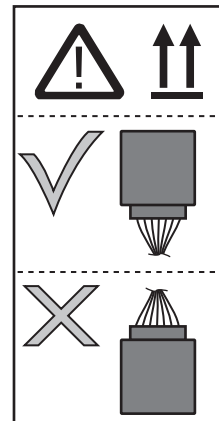
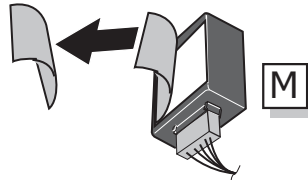
2



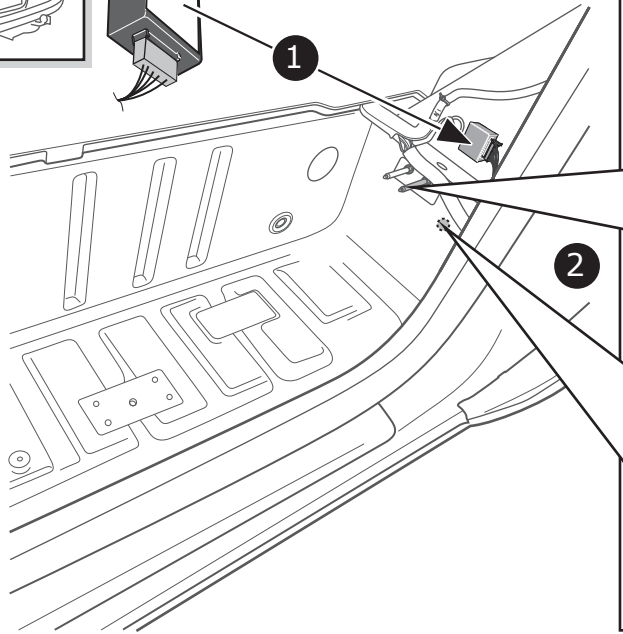
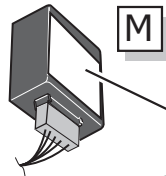
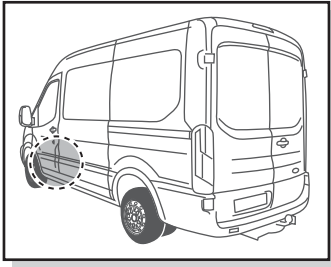
3



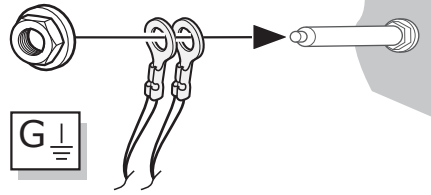
4



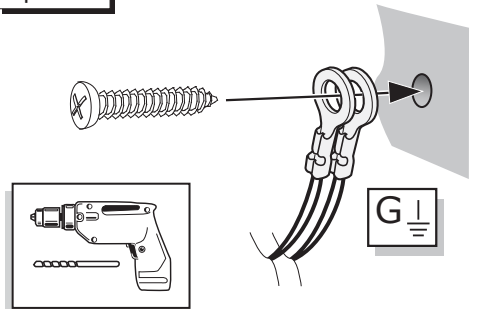
10



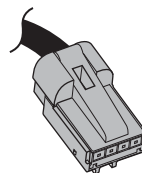
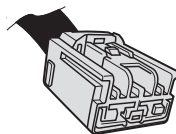
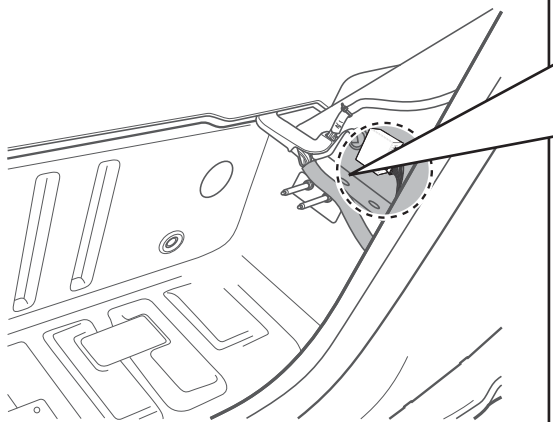
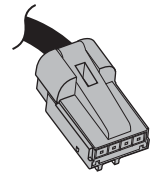
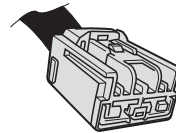
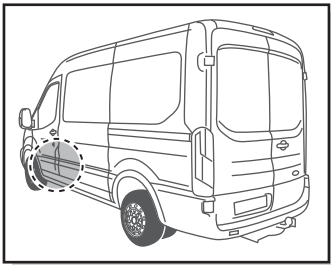
Option 1



Option 2

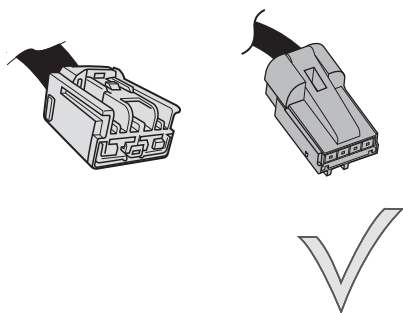


11

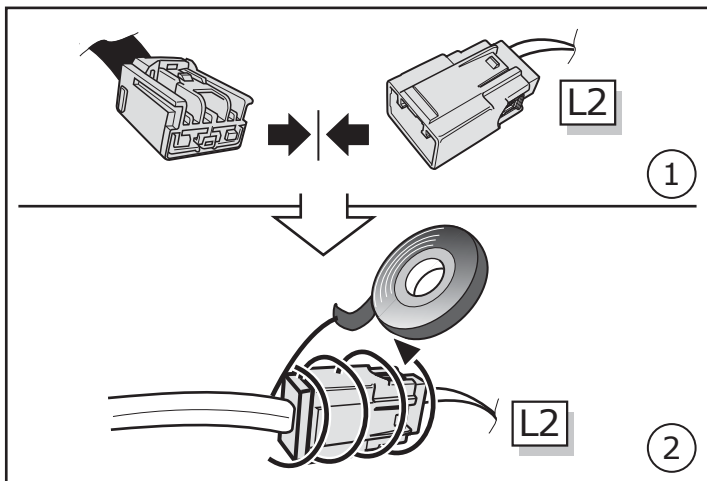


12

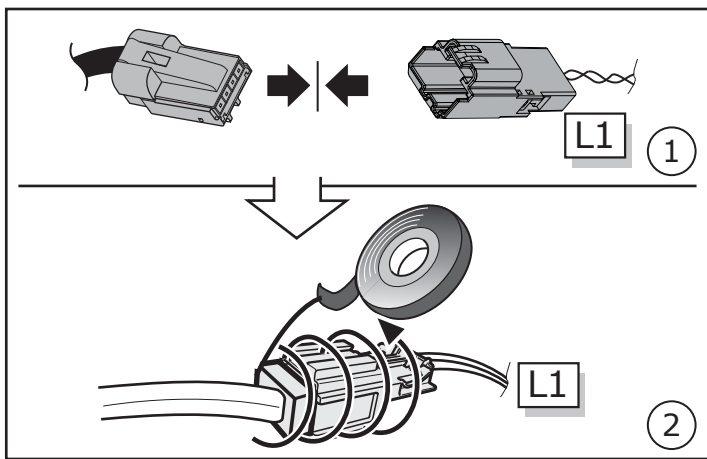
12



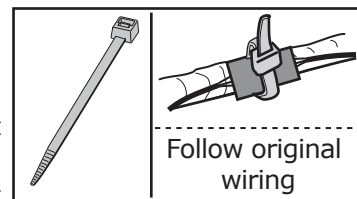
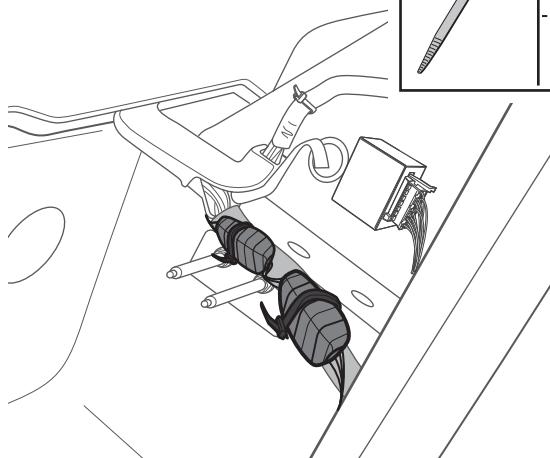
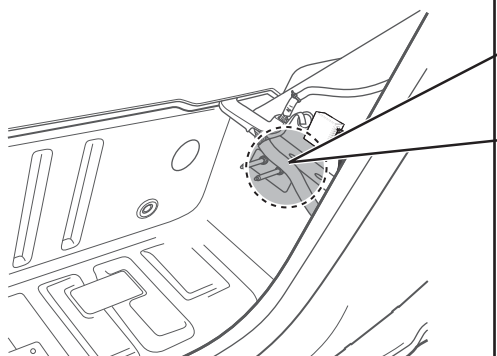
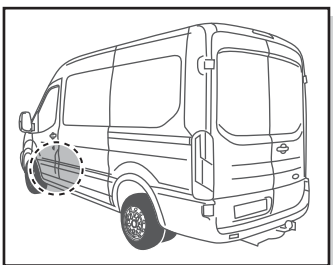
1



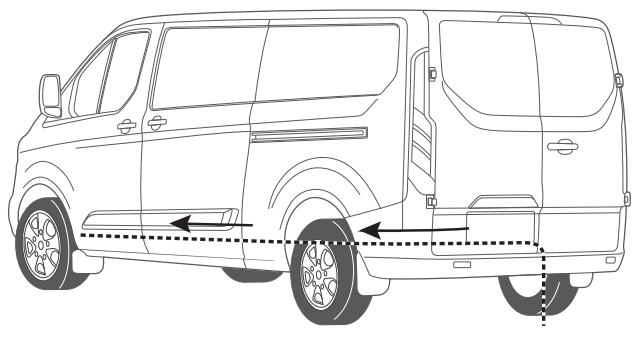
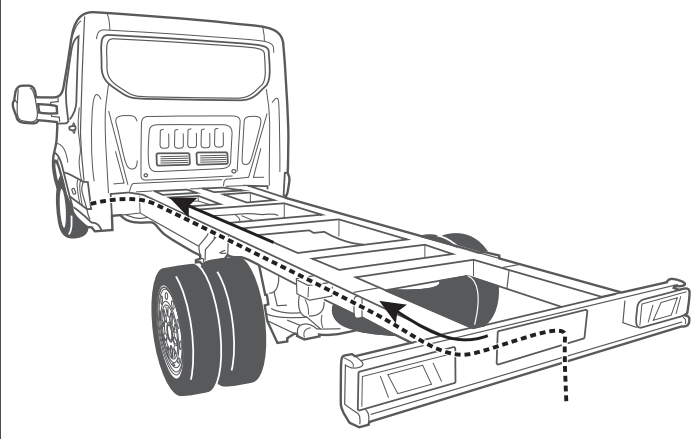
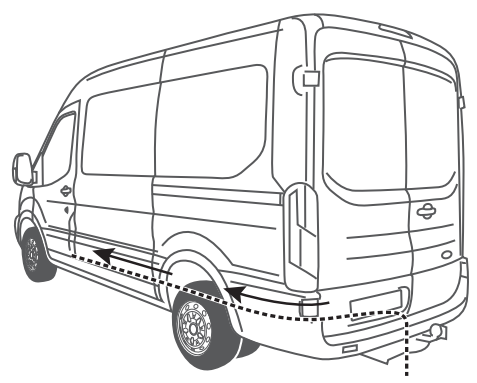
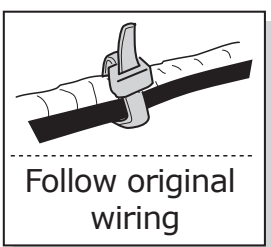
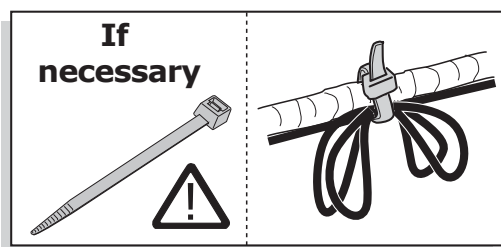
2



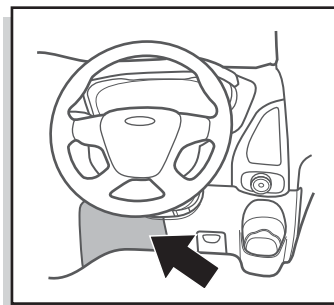
13



14

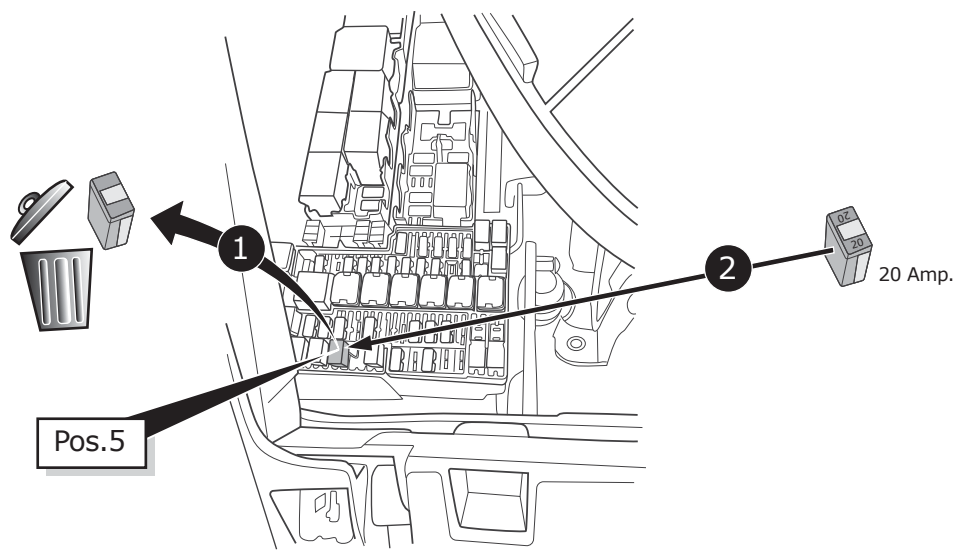


15

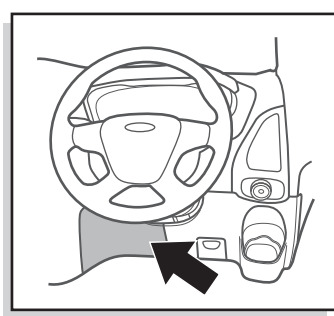


Option 1

>> 06/2019

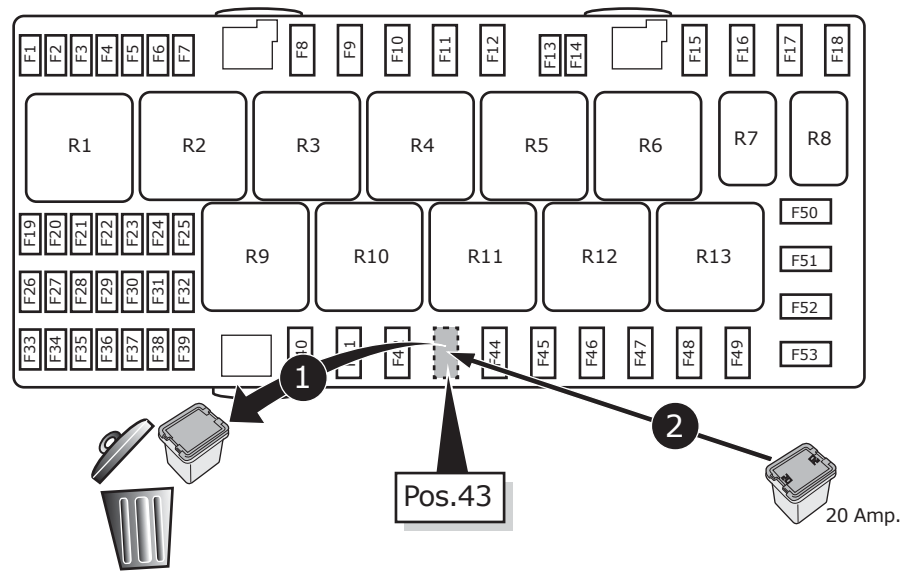


16

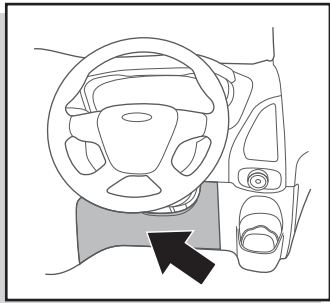


Option 2

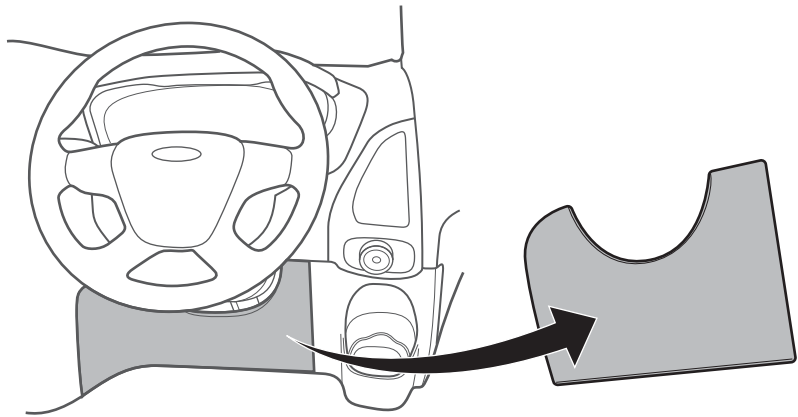
>> 06/2019



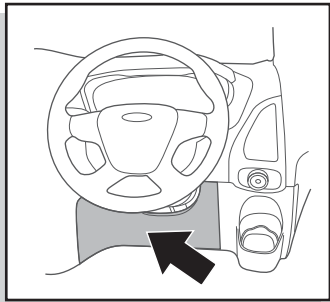
17



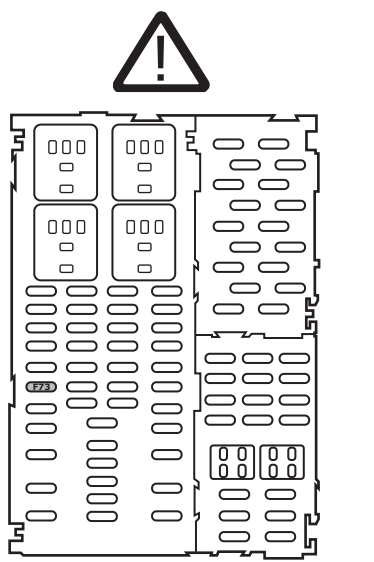
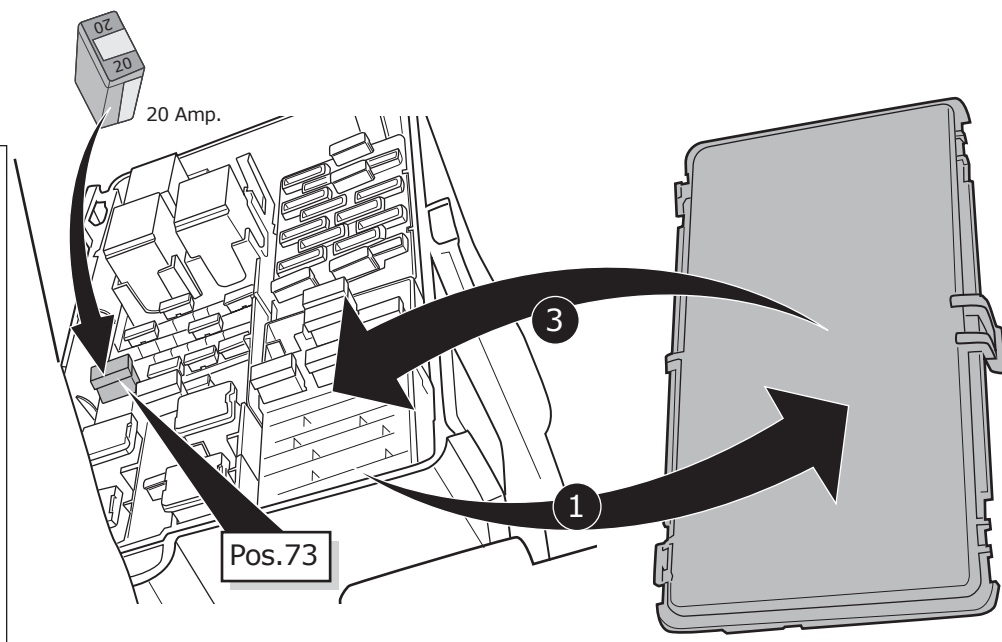
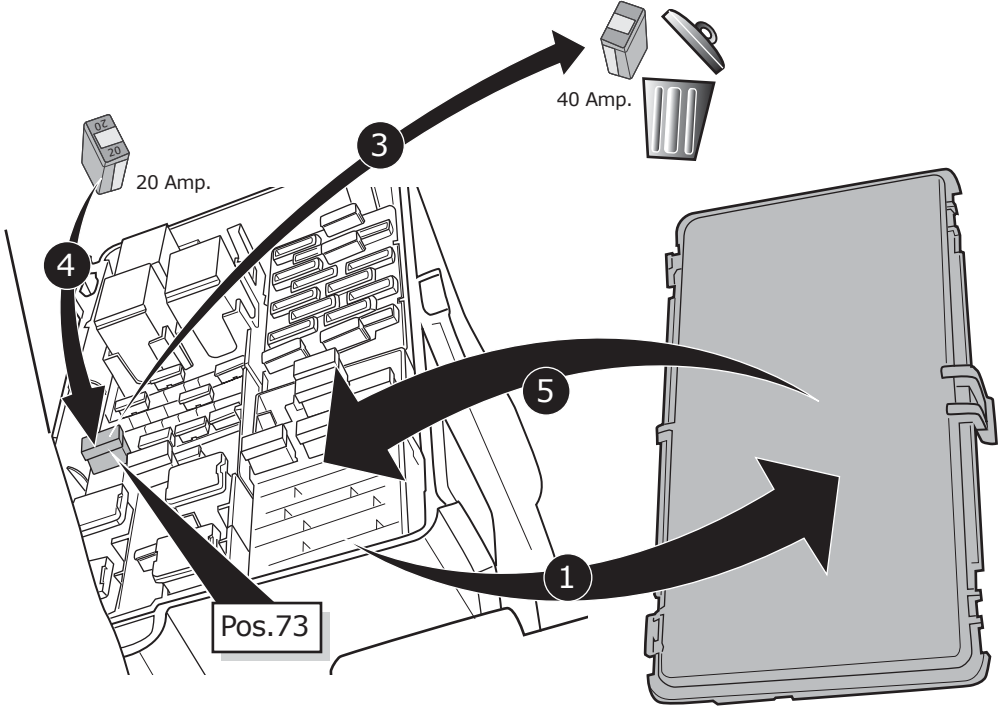
Stage 6.2 07/2019 >>

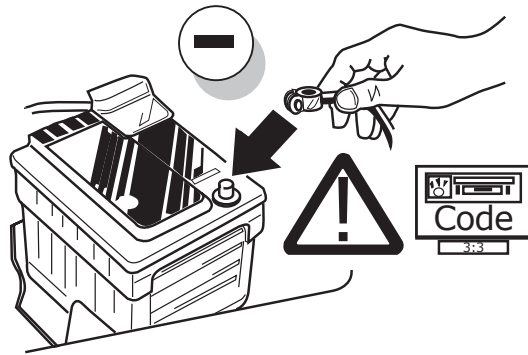


18

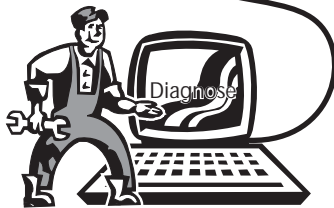
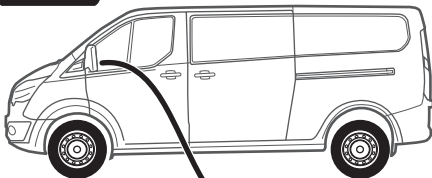


Stage 6.2 07/2019 >>





Set up trailer operation



Option 1 ETIS-FDRS

Perform Online config as follows:

- Connect with Ford ETIS System
- Enter dealer number
- Enter vehicle VIN
- Run Network Test (If necessary)
- Vehicle Software
- Access Changes & Upgrades
- Towbar Configuration
- Press Command

NOTE! See additional control modules listed below as these need to be configured manually for Towbar. This is only possible once FORD technical systems have prepared these additional control units to accept configuration!

- PAM
- FCDIM

- SODL
- SODR

Option 2 ETIS-IDS

Perform Offline config as follows:

- Connect with Ford ETIS System
- Enter dealer number
- Enter vehicle VIN
- Run Network Test (If necessary)
- Scroll to 'Electrical'
- Service Functions
- Trailer Tow Configuration

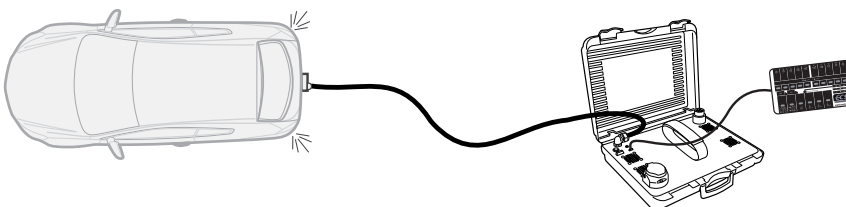
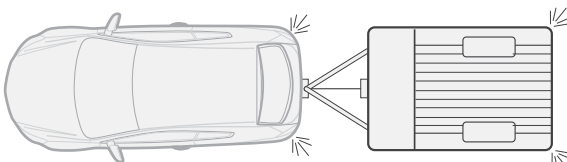
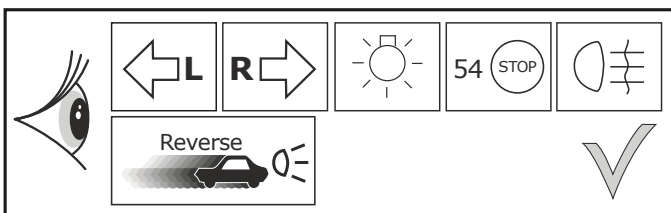
If error message appears, it relates to access to IPC which may not yet configured by Ford!

NOTE! See additional control modules listed below as these need to be configured manually for Towbar. This is only possible once FORD technical systems have prepared these additional control units to accept configuration!

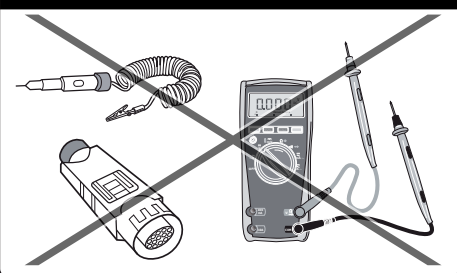
- PAM
- FCDIM

- SODL
- SODR

Functional test



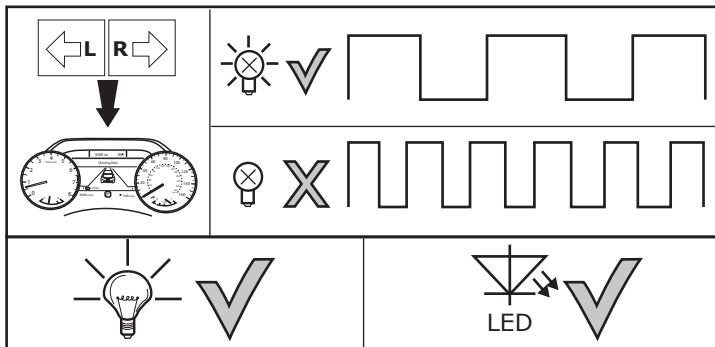
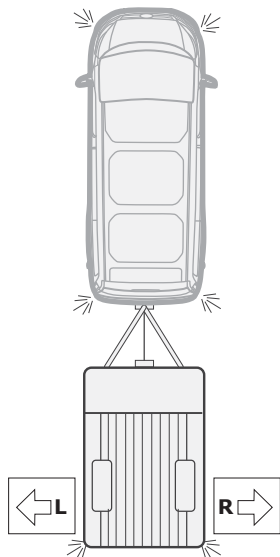
WARNING



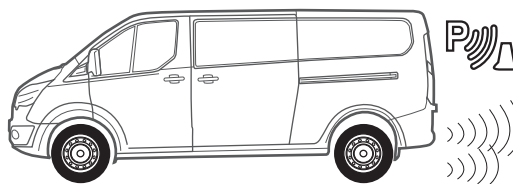
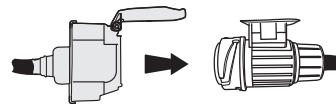
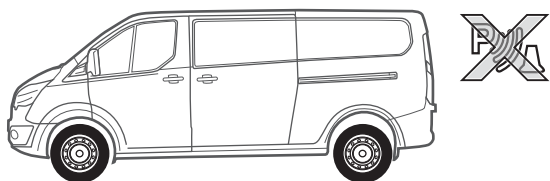
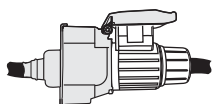
LIGHT MATE

ECS part no.
LIGHTMATE II
LIGHTMATE III

22



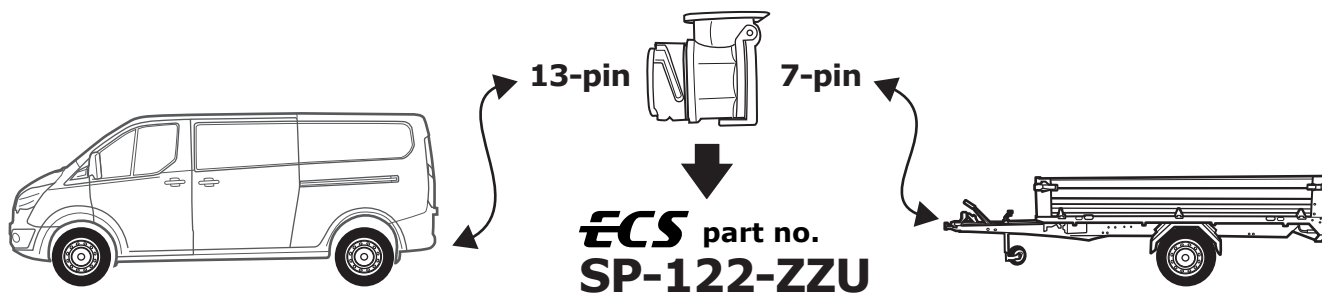
23



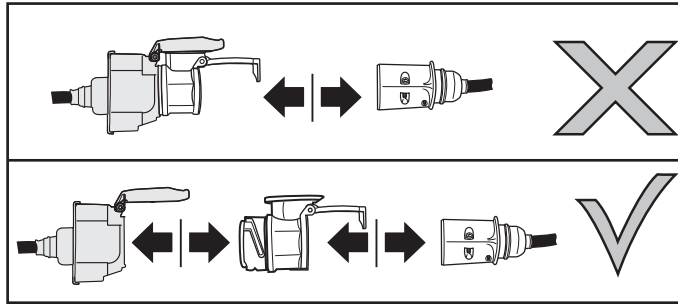
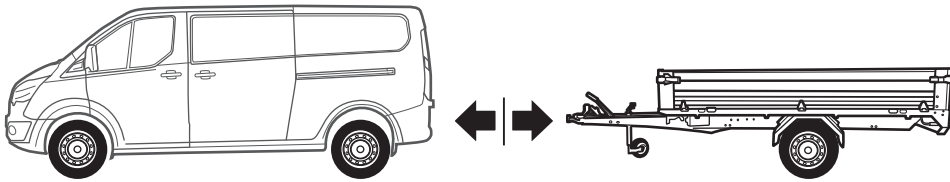
24

Optional

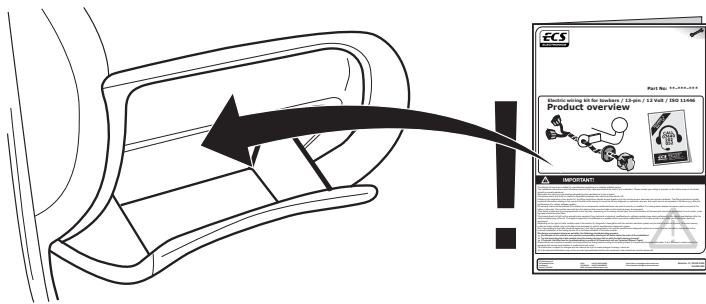
Adapter socket



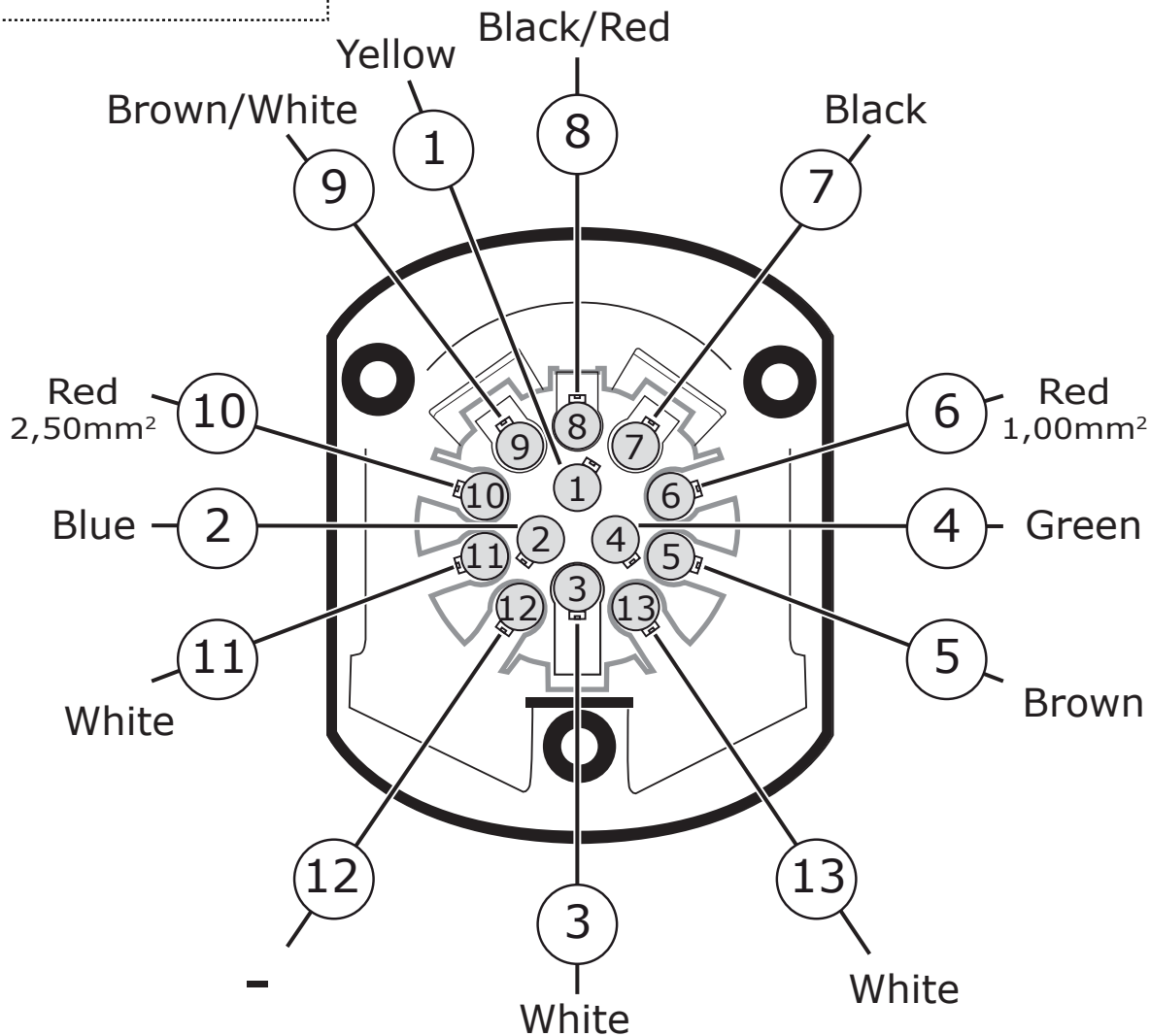
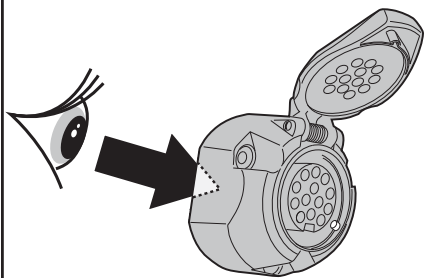
25



26



SOCKET CONNECTION



SOCKET CONNECTION

DIN/ISO 11446													
	1/L	2	3/31	4/R	5/58-R	6/54	7/58-L	8	9	10	11	12	13
Pmax	21W	21W		21W	42W	3x21W	42W	21W	180W/15Amp	180W/15Amp			
Colour	Yellow	Blue	White	Green	Brown	Red 1,00 mm ²	Black	Black/ Red	Brown/ White	Red 2,50 mm ²	White	-	White