

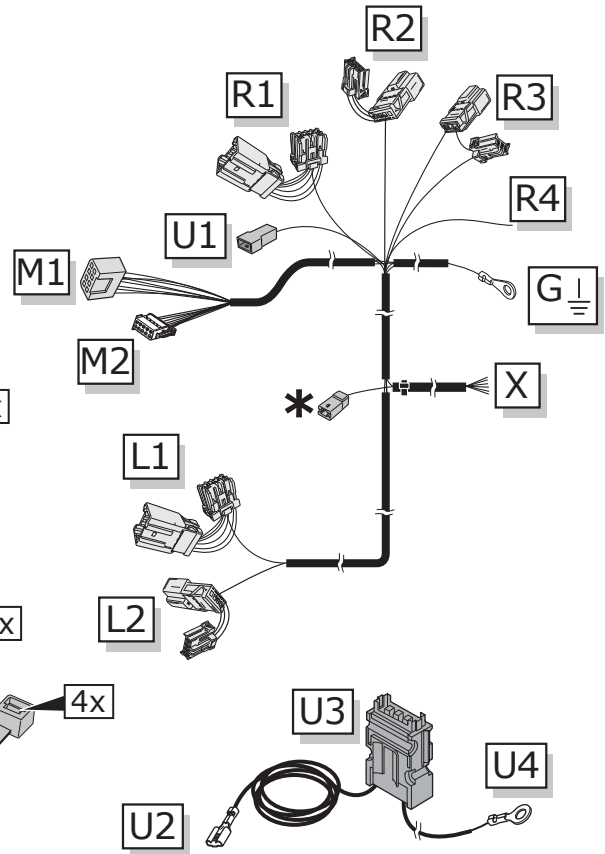
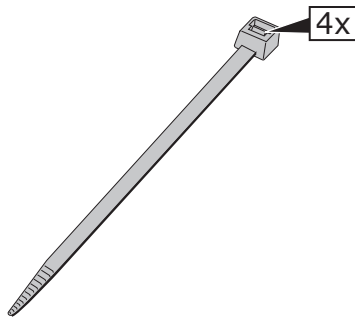
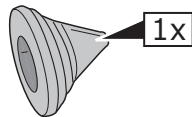
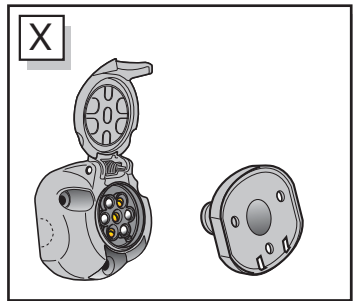
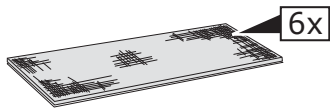
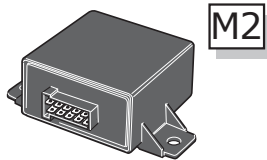
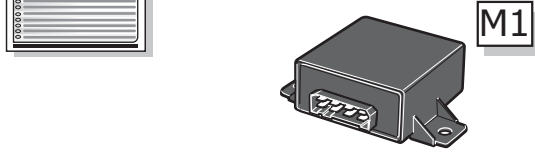
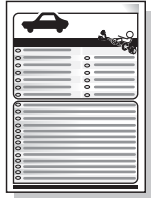
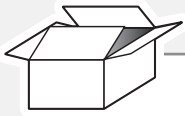
Honda FR-V RHD 2004 >>

Partnr.: HN-216-BEU

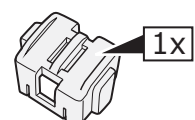
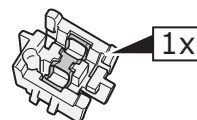
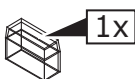
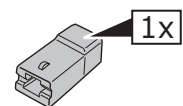
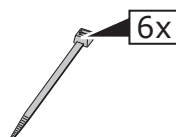
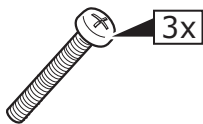
- Fitting instructions electric wiring kit tow bar with 12-N socket up to DIN/ISO Norm 1724.
- We would expressly point out that assembly not carried out properly by a competent installer will result in cancellation of any right to damage compensation, in particular those arising by virtue of the product liability act.
- Contents of these kits and their fitting manuals are subject to alteration without notice, please ensure that these instructions are read and fully understood before commencing installation.
- Do not overload circuits; the maximum loads per connection are detailed in this manual.
- Attention! Before Installation, please read this manual carefully and inform your customer to consult the vehicle owners manual to check for any vehicle modifications required before towing.
- In the event of functional problems, troubleshooting must be limited to about 0.5 hours, contact the technical support:
ukts@ecs-electronics.com / 07440 202 052.

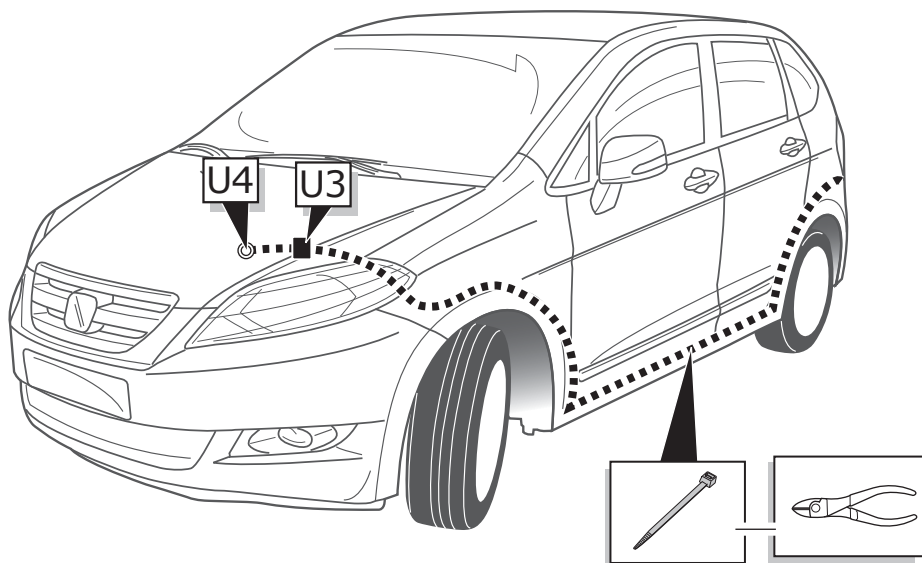
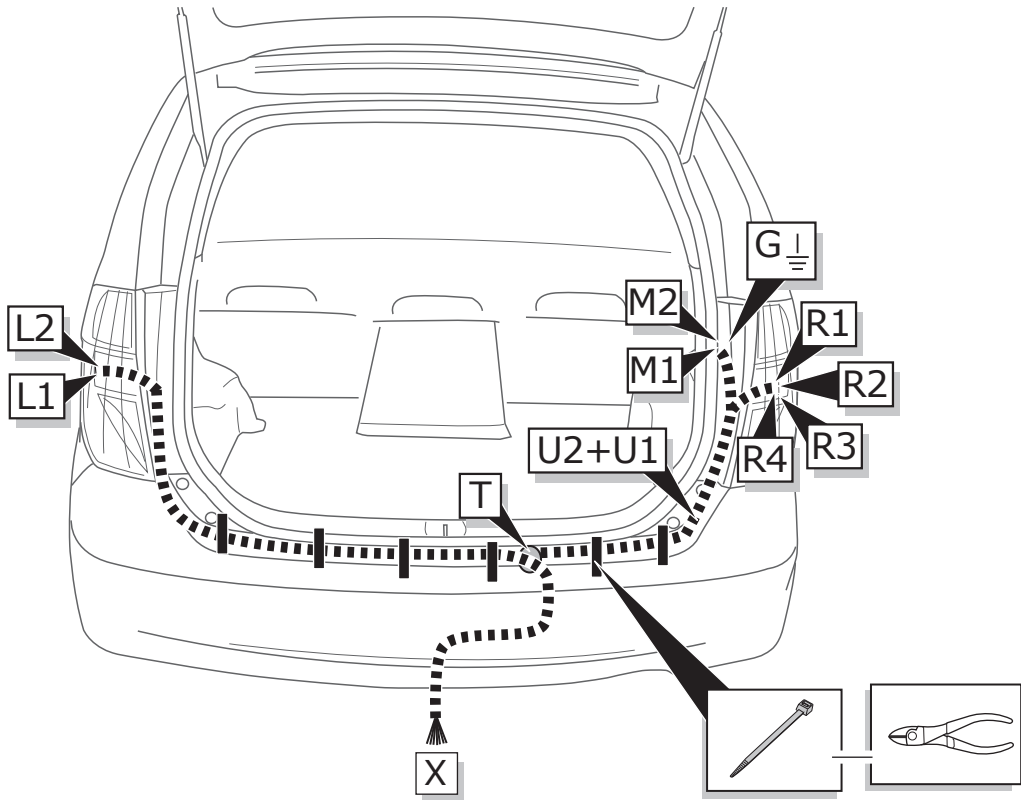


Part list

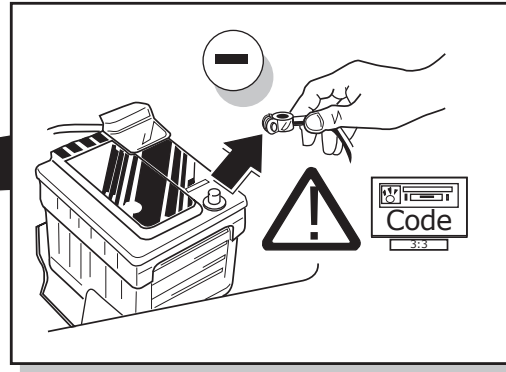
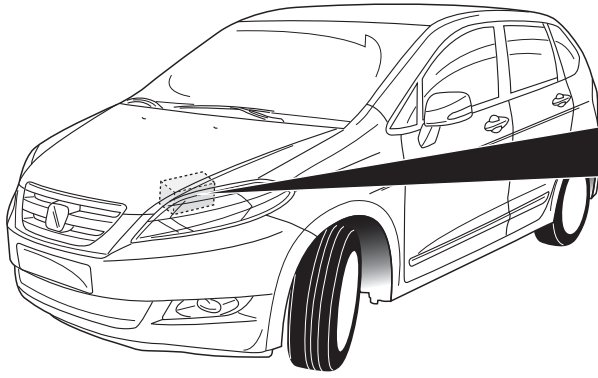


* Reverse signal preparation
 → Pag. 12

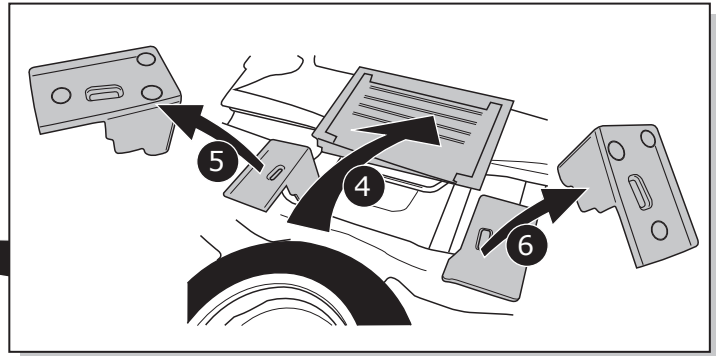
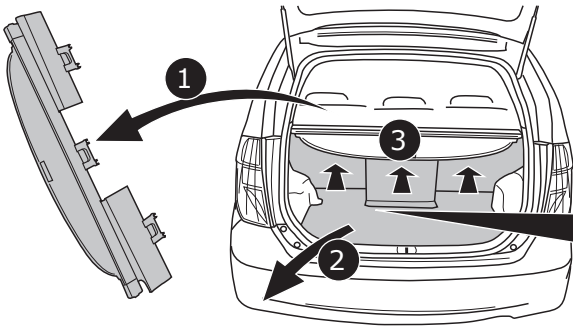




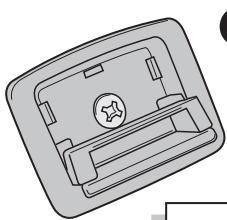
1



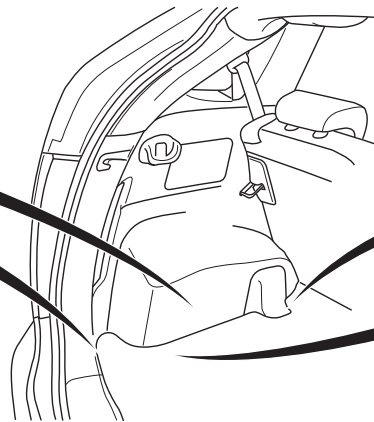
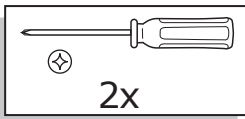
2



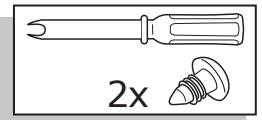
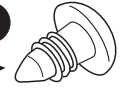
3



2



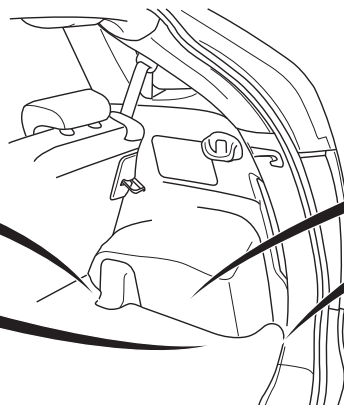
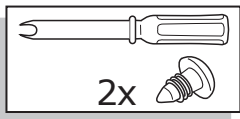
1



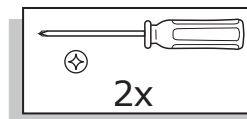
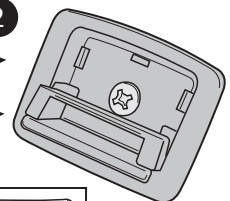
4



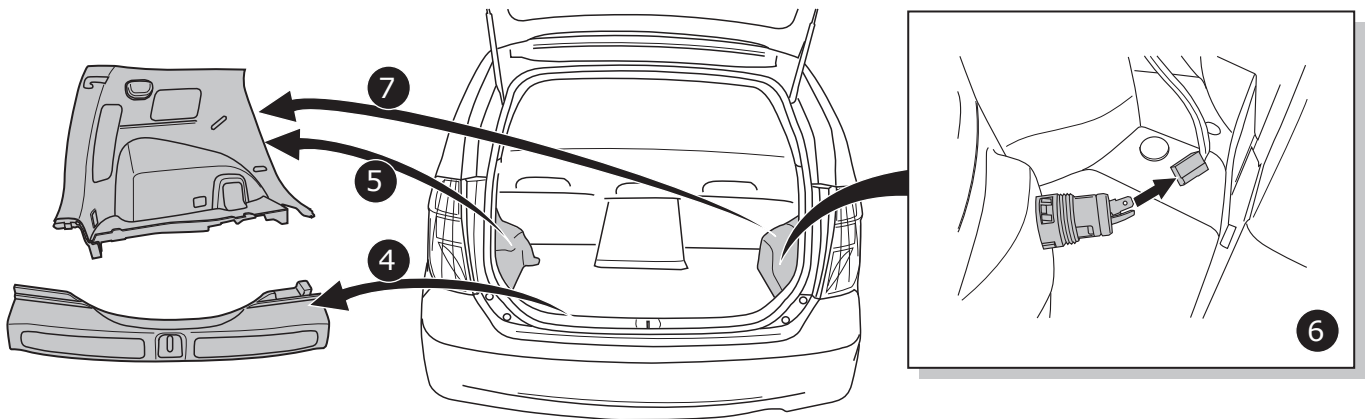
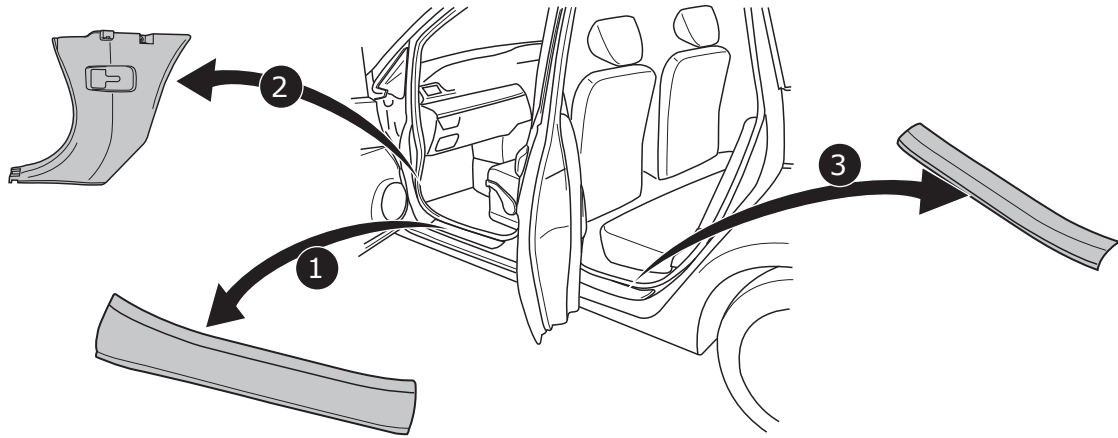
1



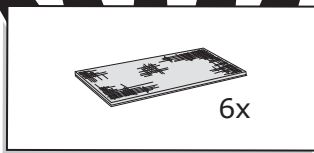
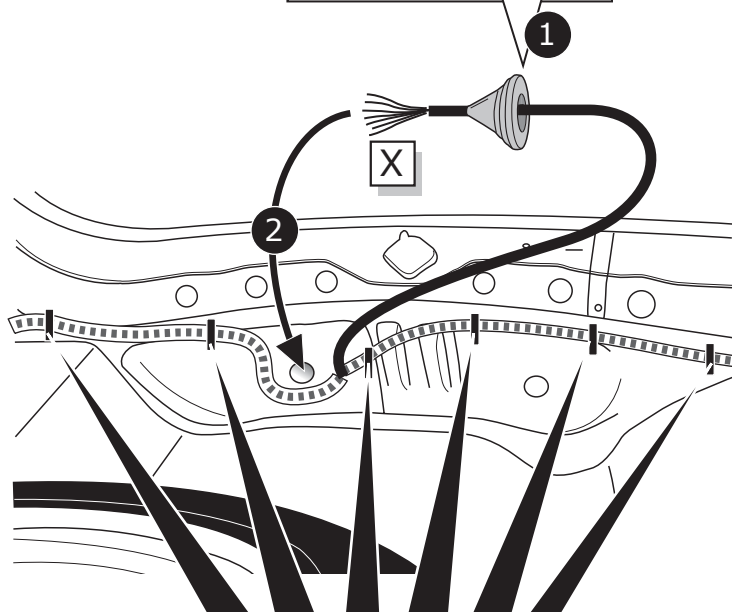
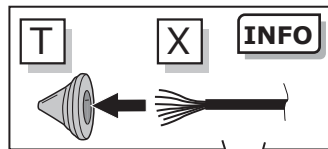
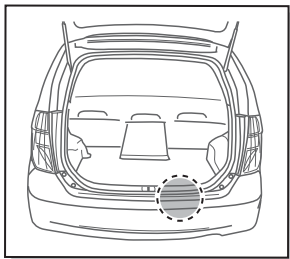
2



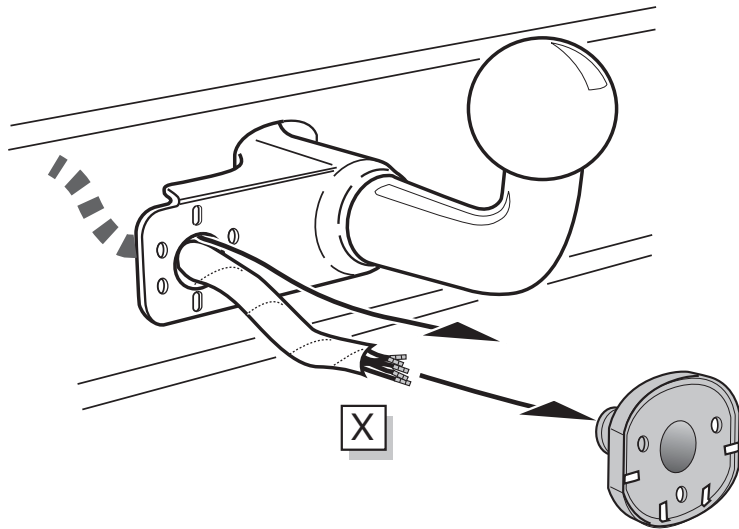
5



6



A



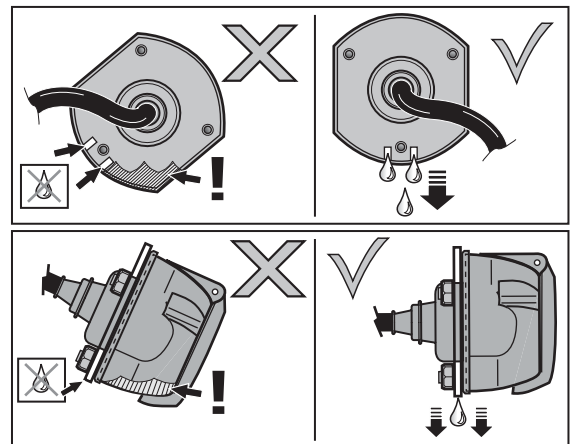
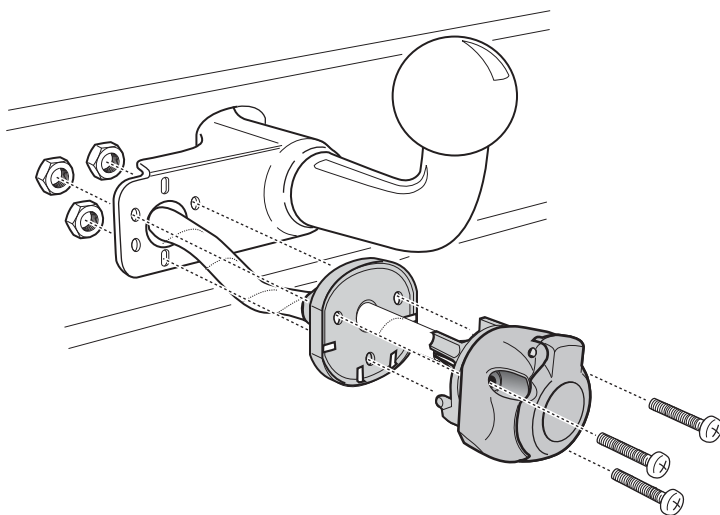
INFO

SOCKET CONNECTION

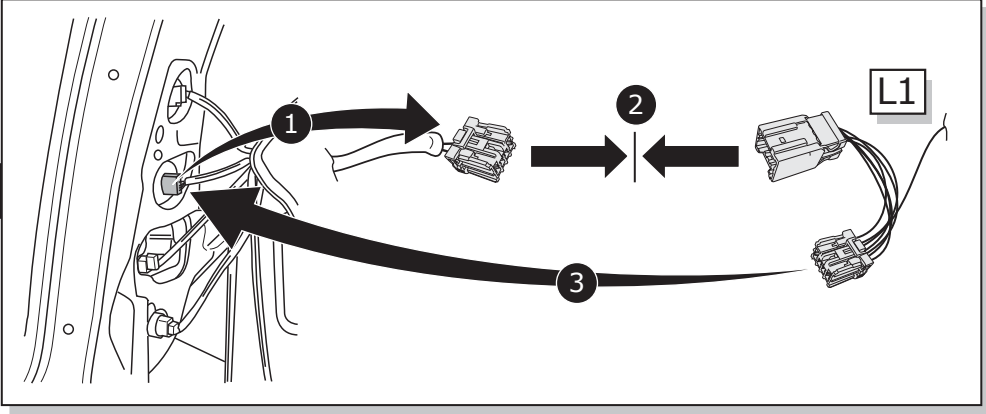
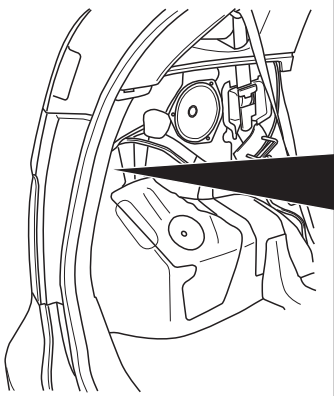


Pag. 11

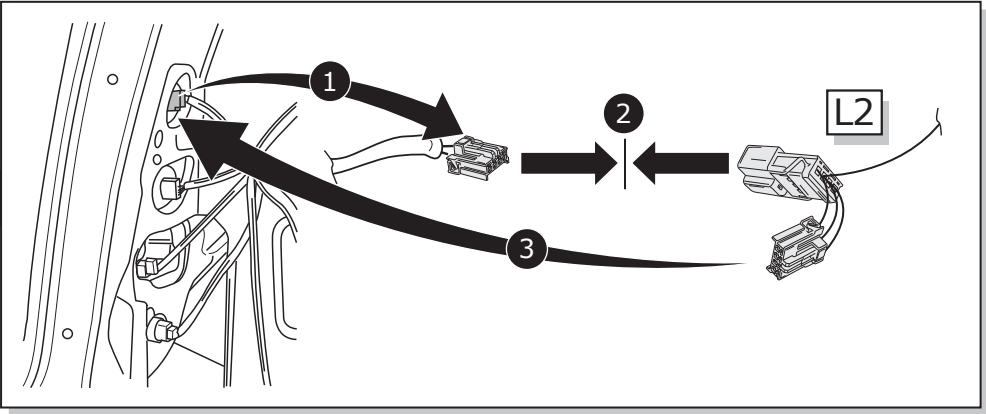
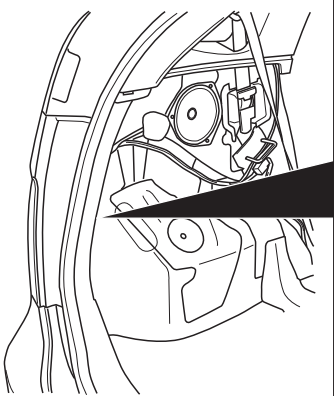
B



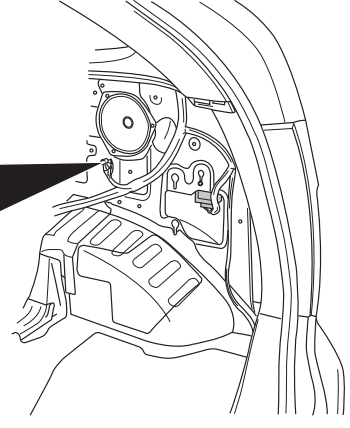
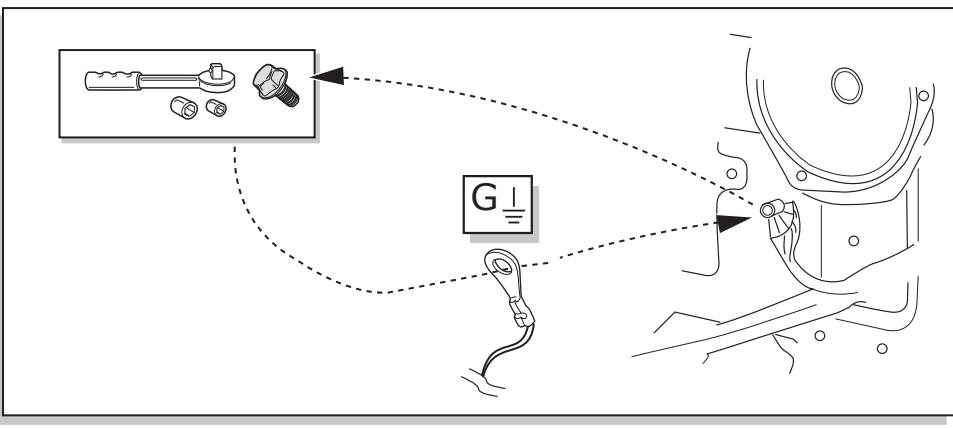
7



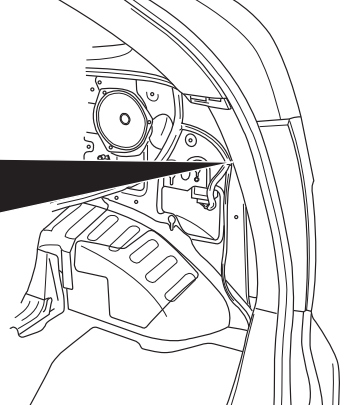
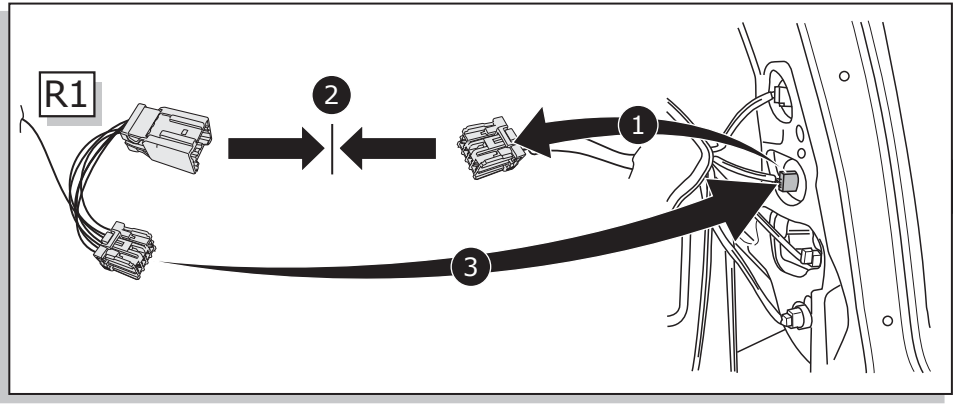
8



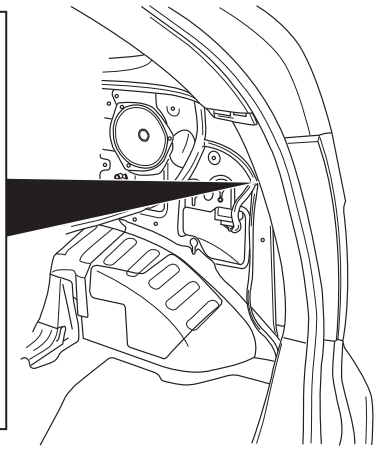
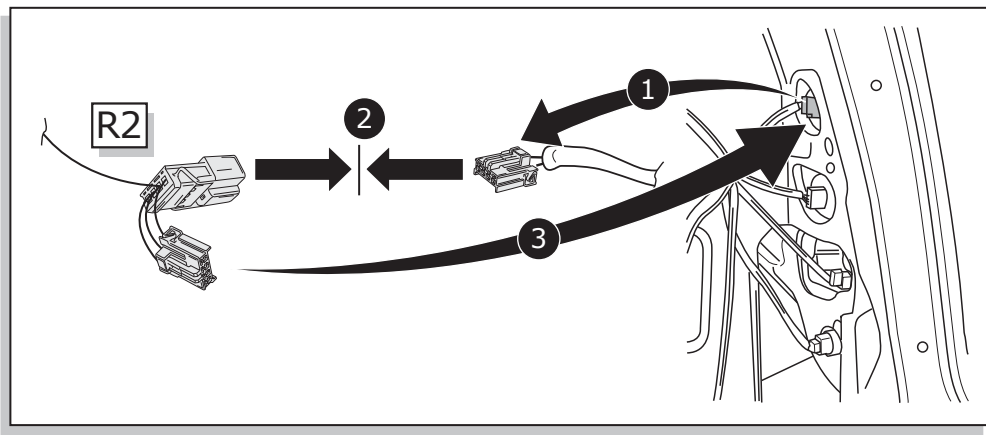
9



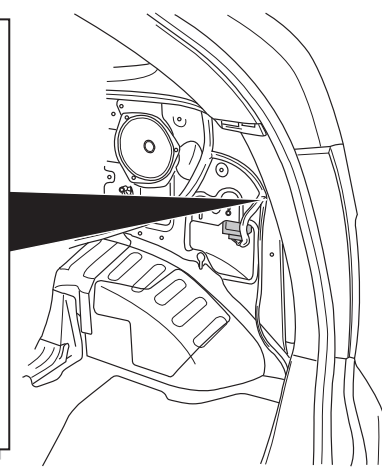
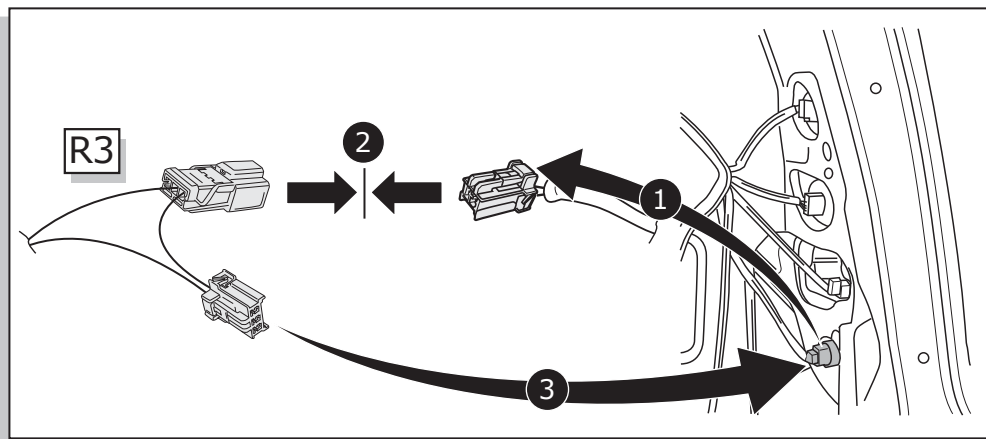
10



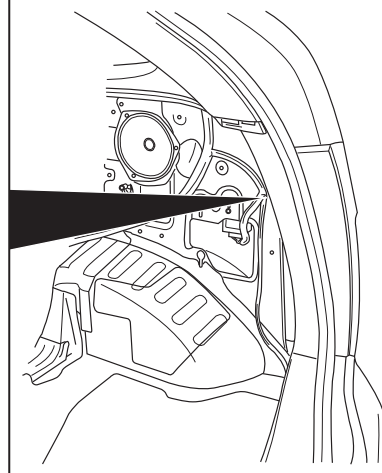
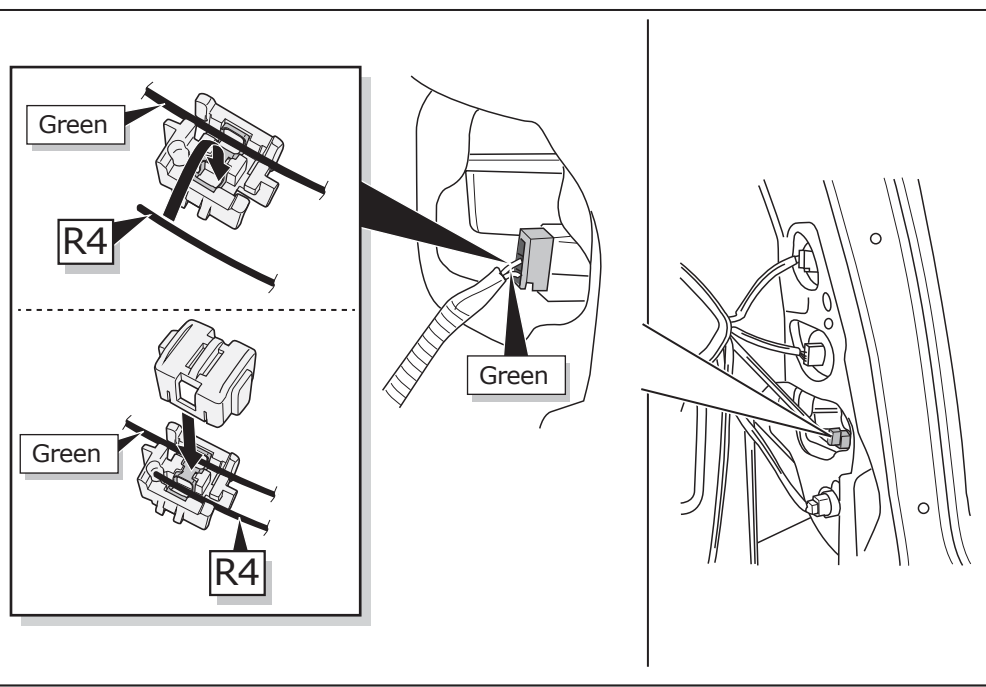
11



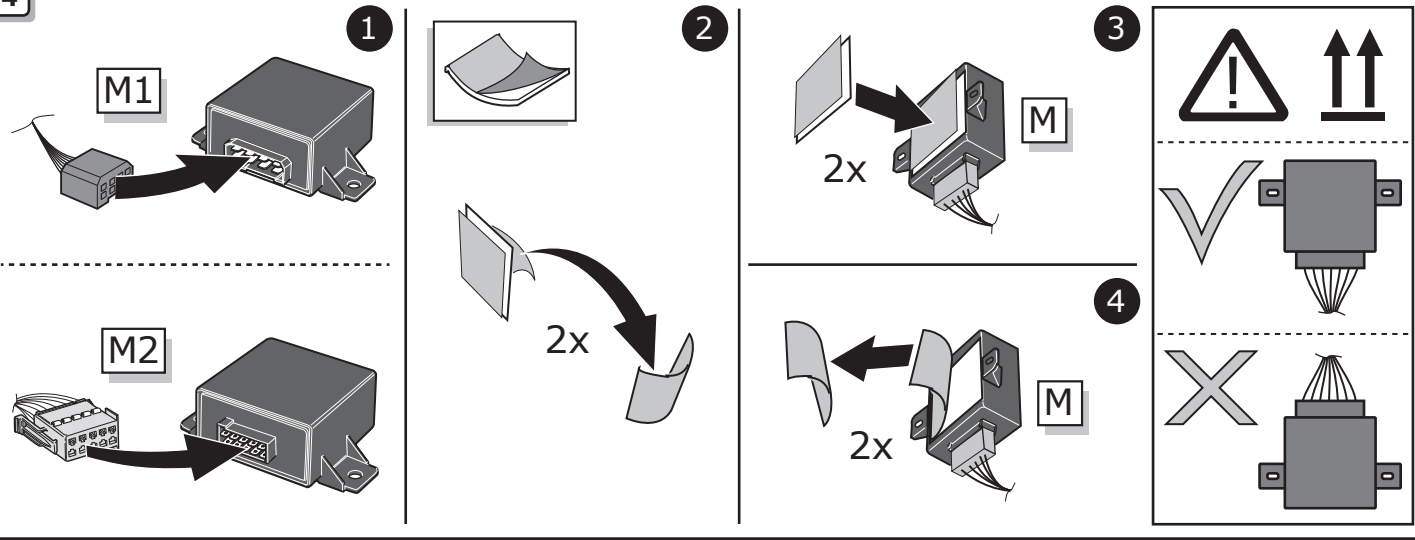
12



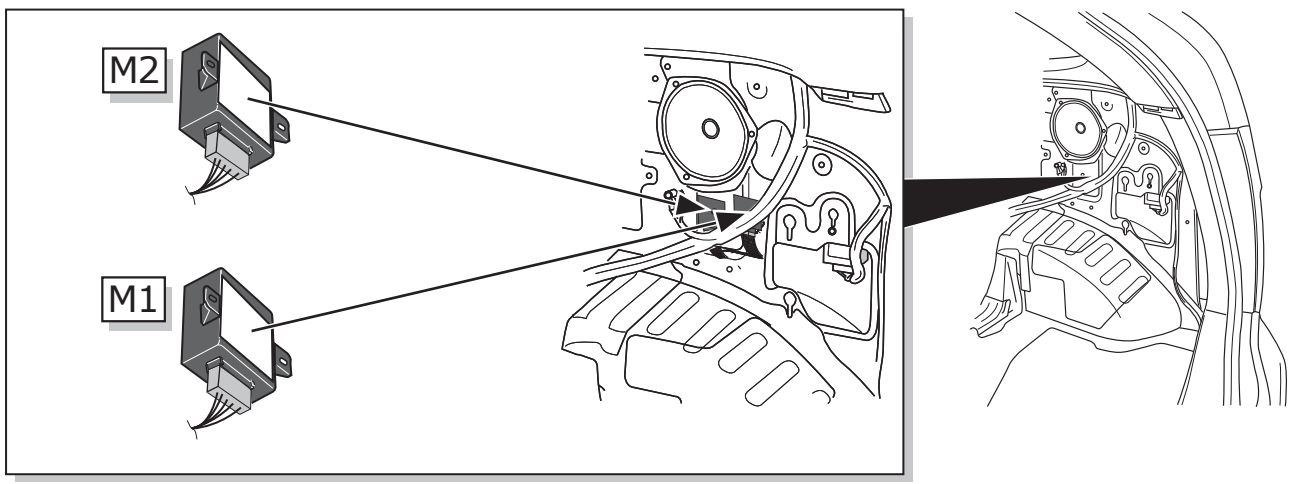
13



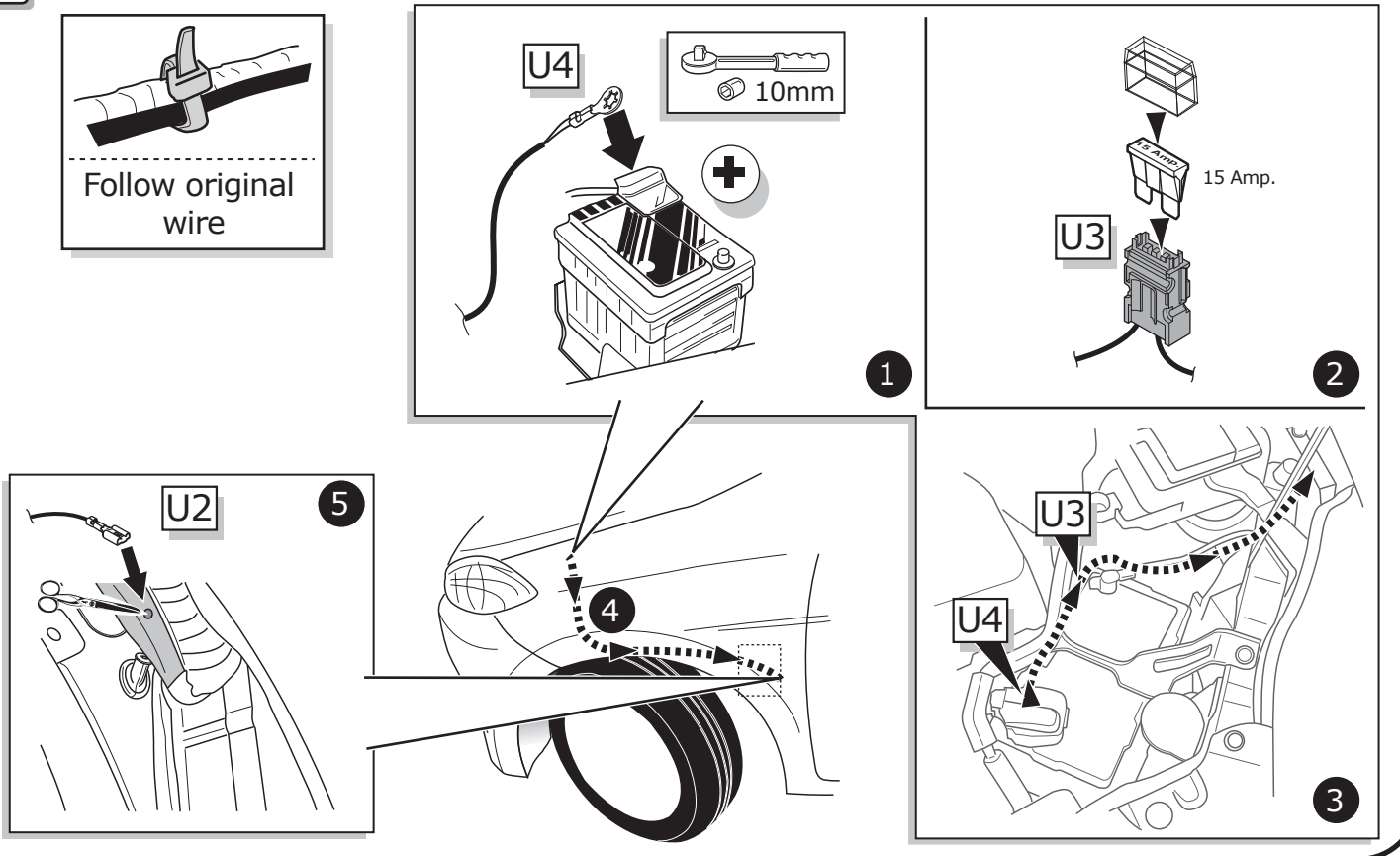
14



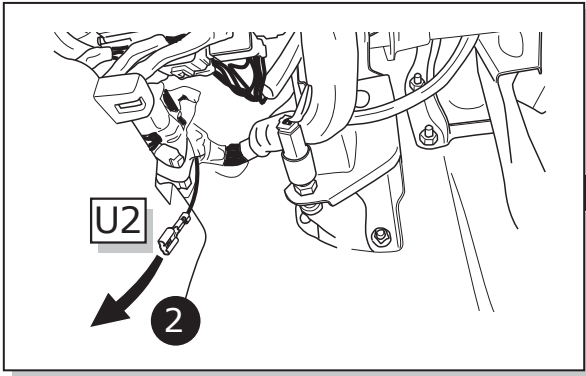
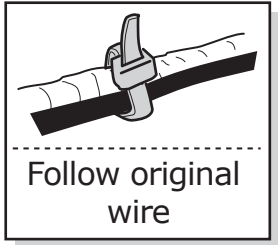
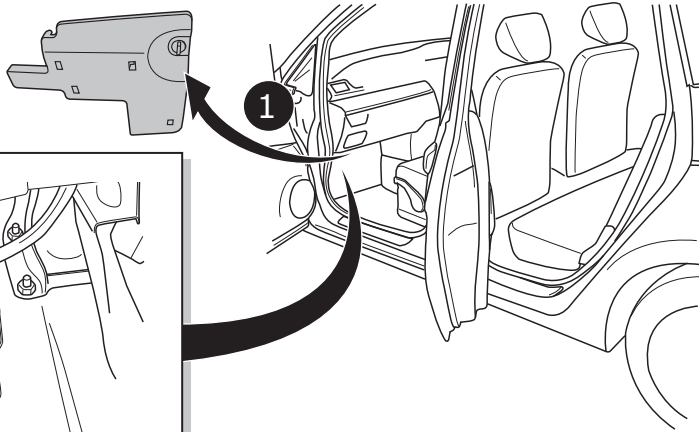
15



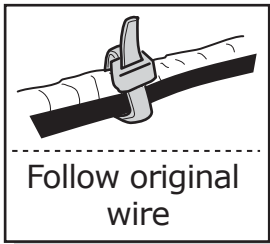
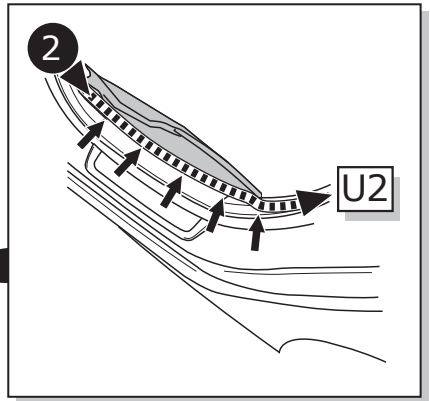
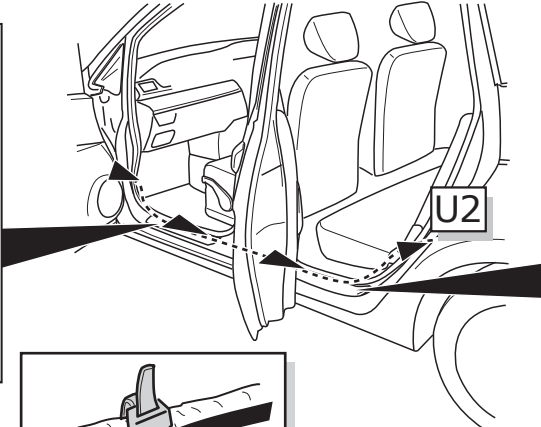
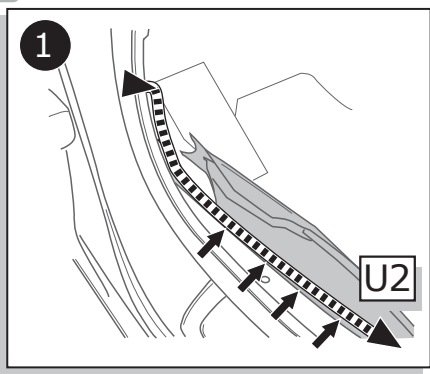
16



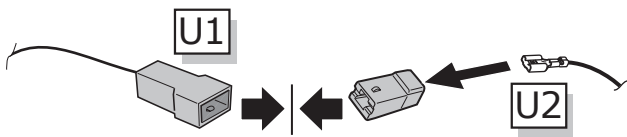
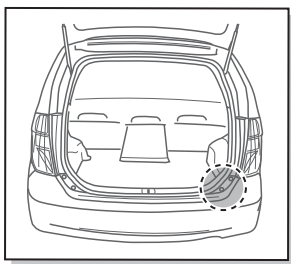
17



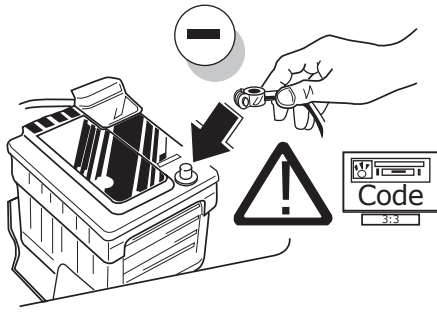
18



19



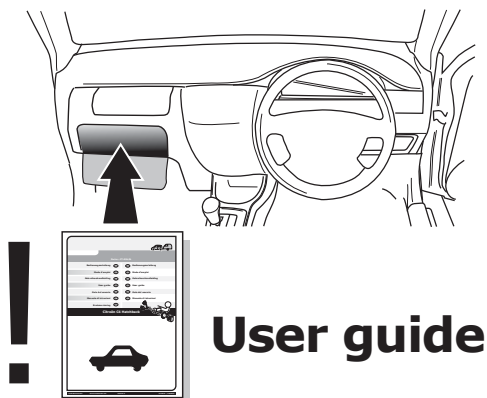
20



TEST ALL THE CIRCUITS WITH A TEST DEVICE WITH THE CORRECT POWER LOAD FOR EACH FUNCTION. A TEST DEVICE WITH LED'S CANNOT BE USED FOR THIS PURPOSE.

INFO

REINSTALL TRIM.



INFO

SOCKET CONNECTION

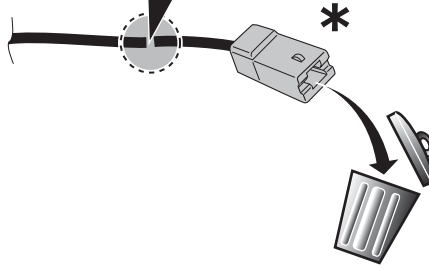
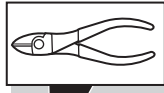
DIN/ISO 1724							
	1/L	2	3/31	4/R	5/58-R	6/54	7/58-L
Pmax	21W	2x21W		21W	52W	3x21W	52W
Colour	Yellow	Blue	White	Green	Brown	Red	Black

Reverse signal preparation

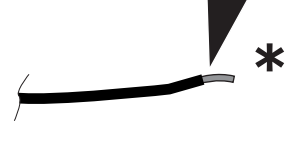
A



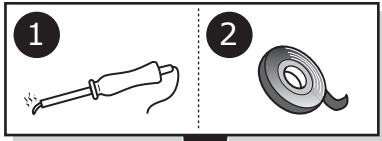
1



2



B



2



⚠ MAX = 21W