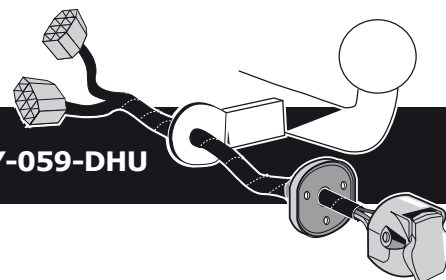


Hyundai Santa Fe 2006 >> 09/2009
Hyundai Santa Fe 2010 >>

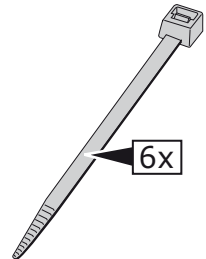
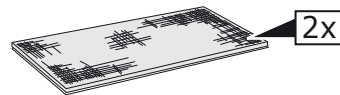
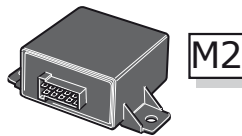
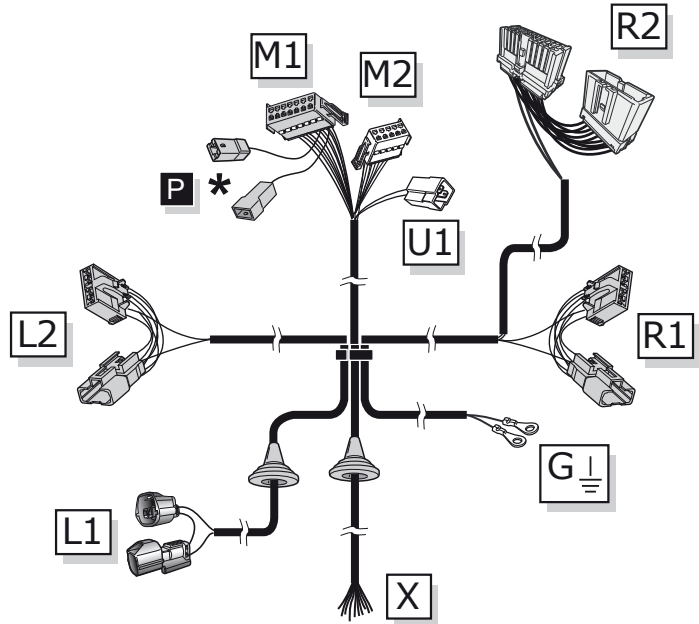
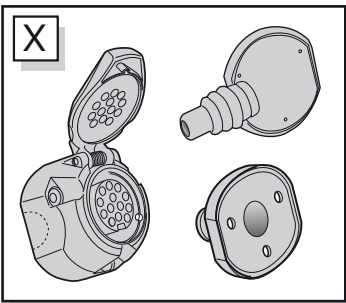
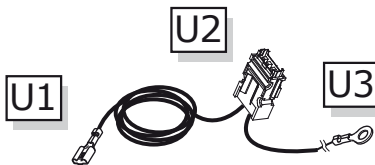
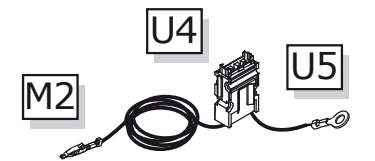
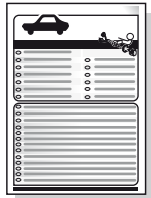
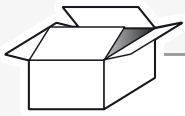
Partnr.: HY-059-DHU



- Fitting instructions electric wiring kit tow bar with 13-P socket up to DIN/ISO Norm 11446.
- We would expressly point out that assembly not carried out properly by a competent installer will result in cancellation of any right to damage compensation, in particular those arising by virtue of the product liability act.
- Contents of these kits and their fitting manuals are subject to alteration without notice, please ensure that these instructions are read and fully understood before commencing installation.
- Do not overload circuits; the maximum loads per connection are detailed in this manual.
- Attention! Before Installation, please read this manual carefully and inform your customer to consult the vehicle owners manual to check for any vehicle modifications required before towing.
- In the event of functional problems, troubleshooting must be limited to about 0.5 hours, contact the technical support:
ukts@ecs-electronics.com / 07440 202 052.

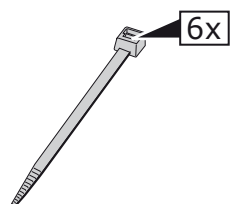
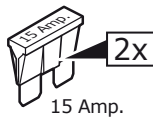
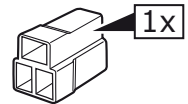
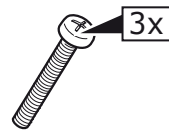
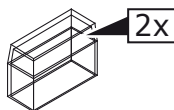


Part list

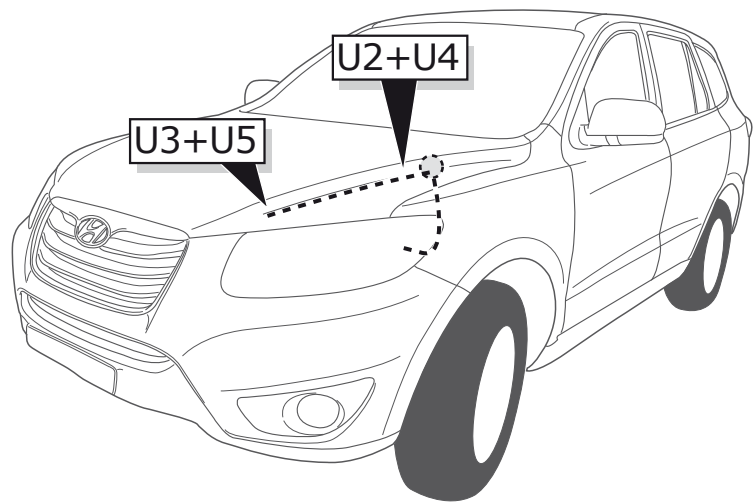
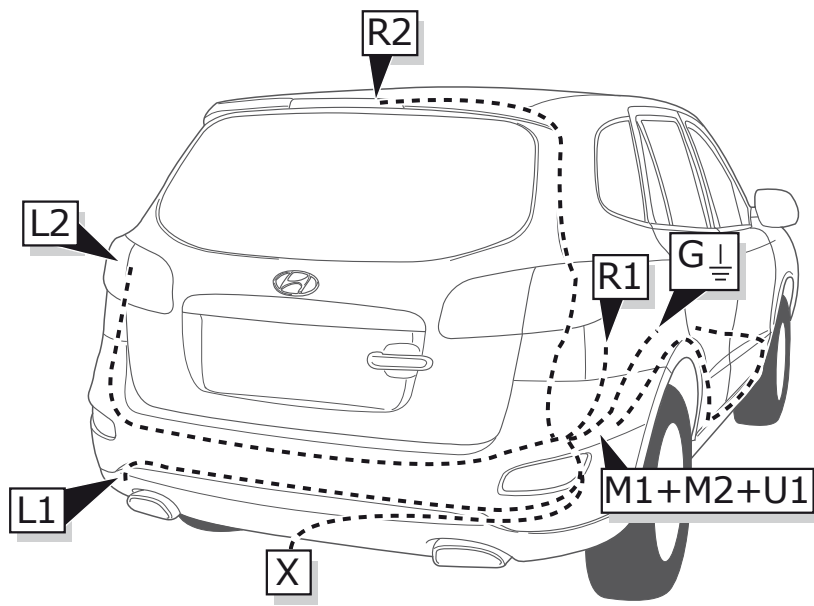


Option! P

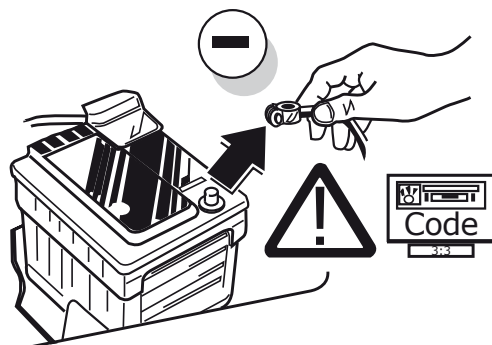
Pag. 12-13



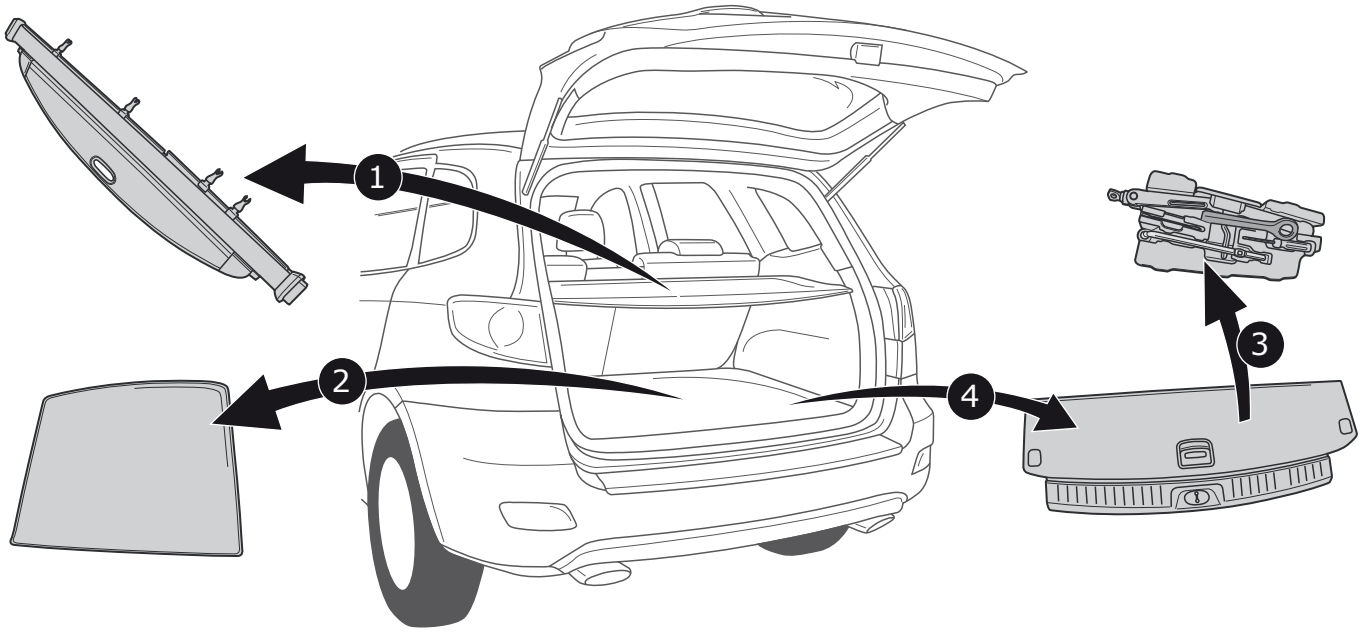
ROUTING



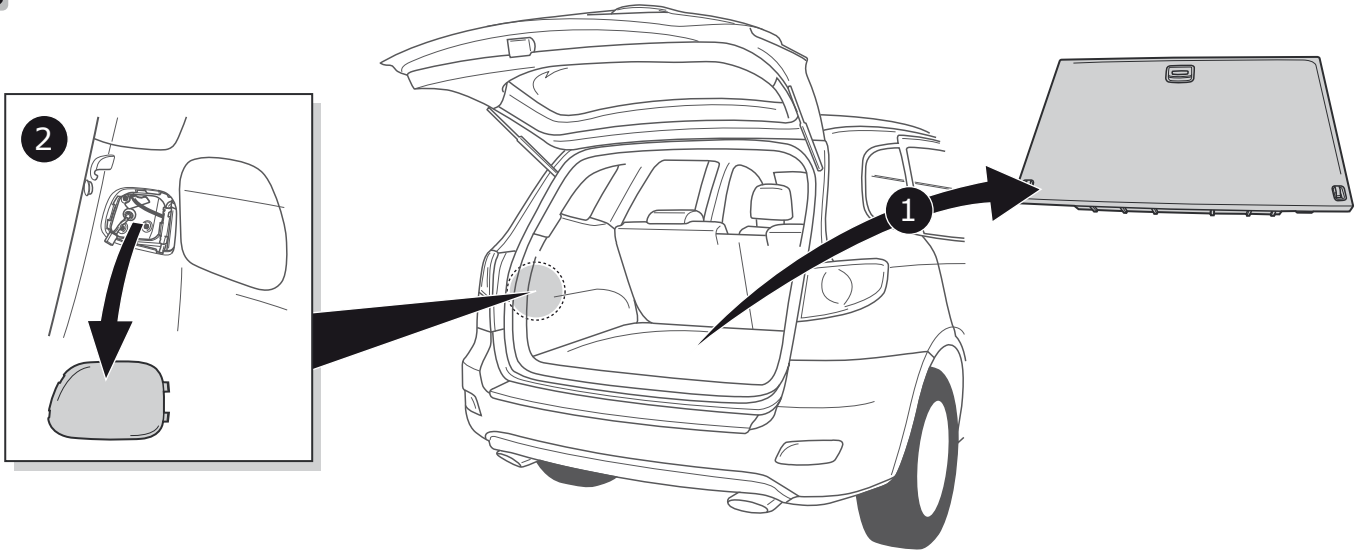
1



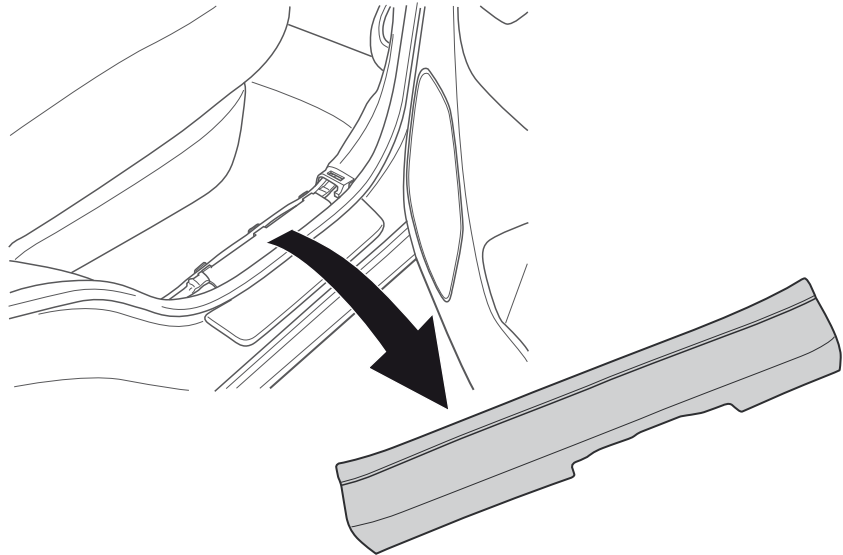
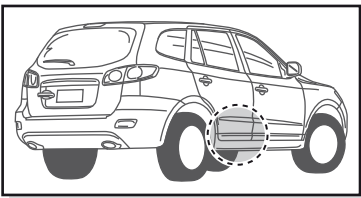
2



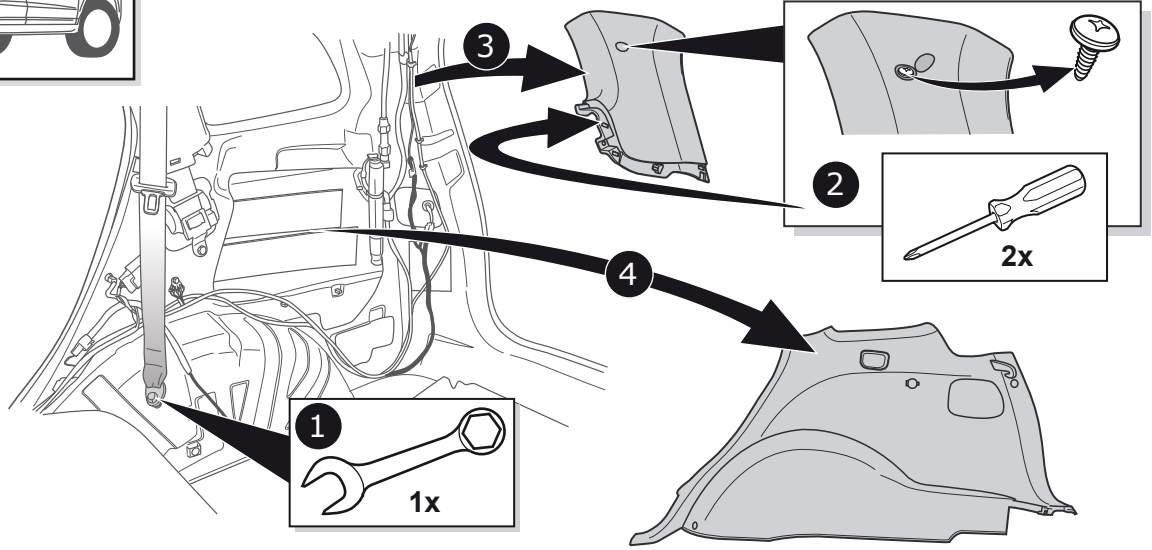
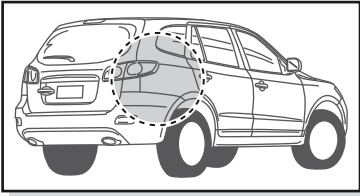
3



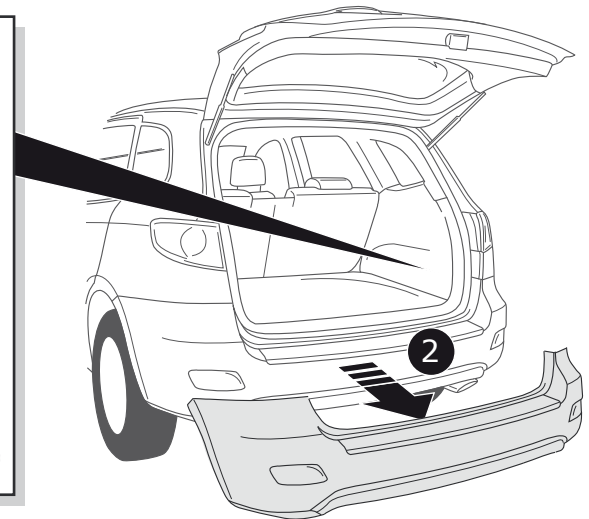
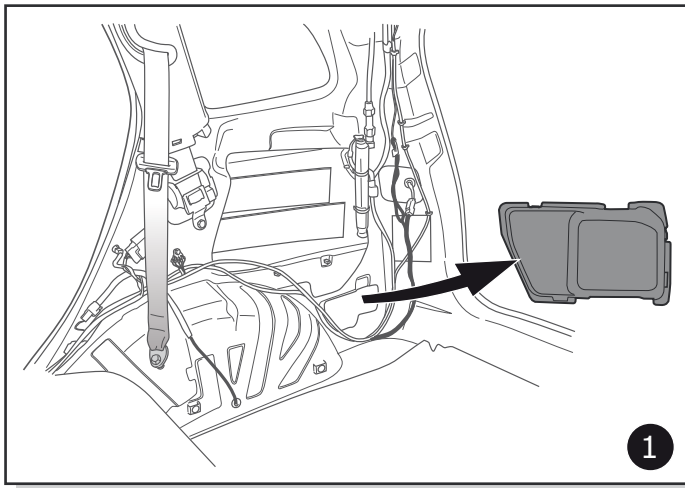
4



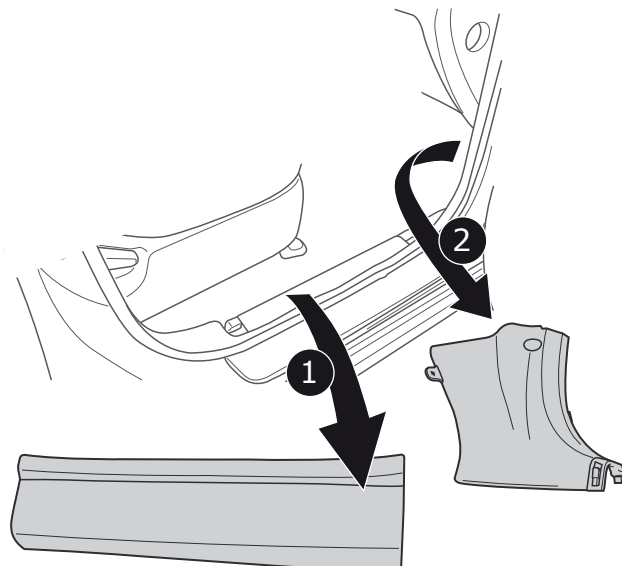
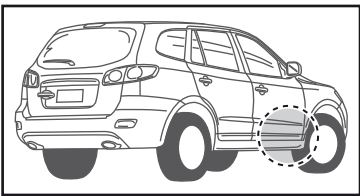
5



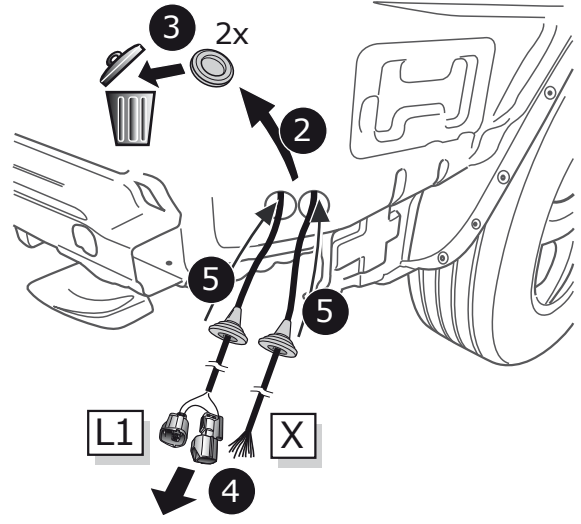
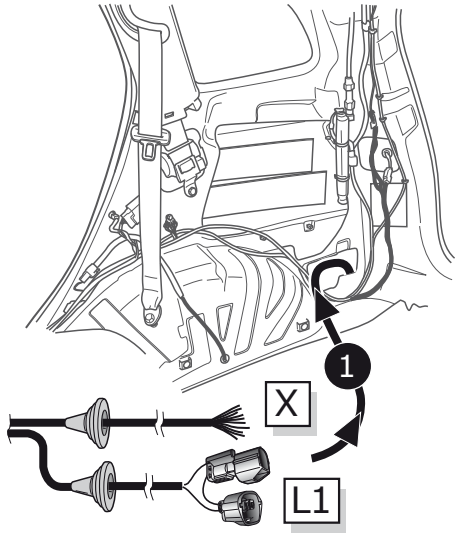
6



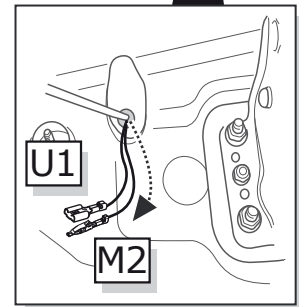
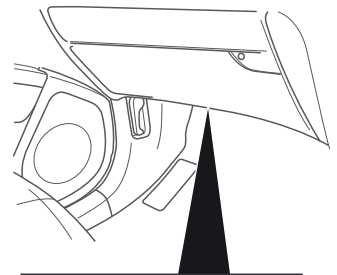
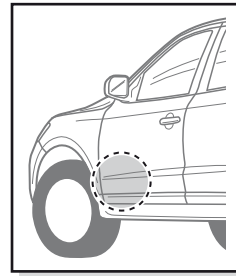
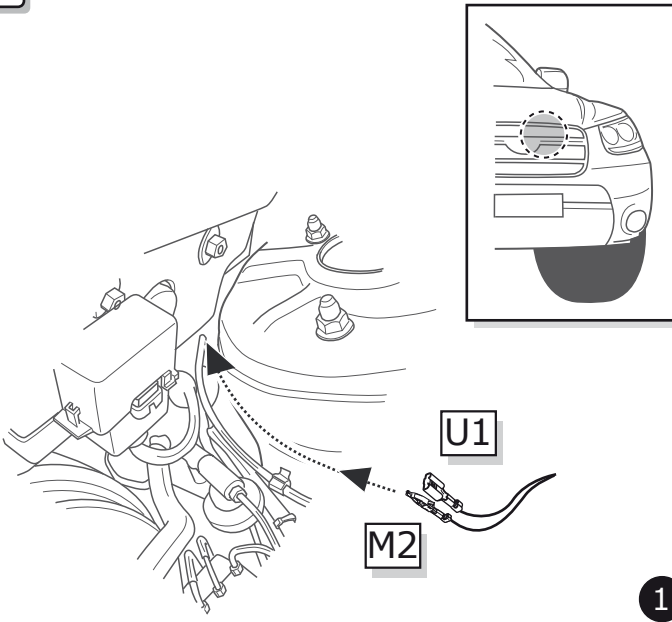
7



8

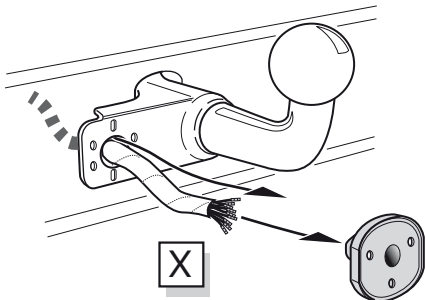


9

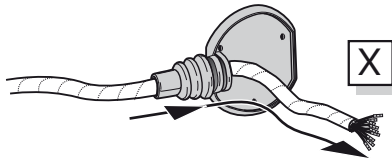


A

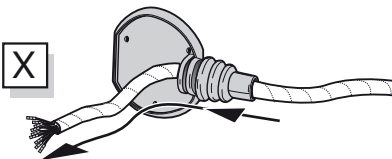
Option 1



Option 2



Option 3

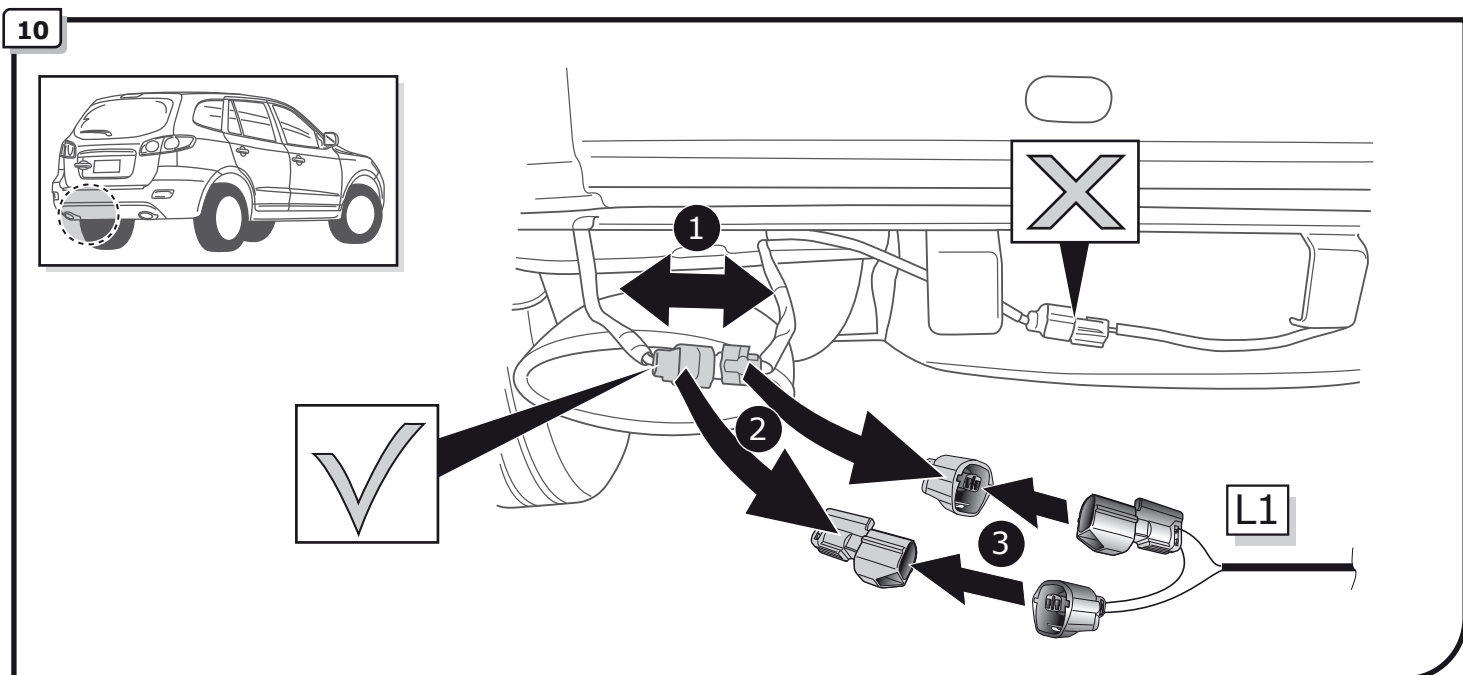
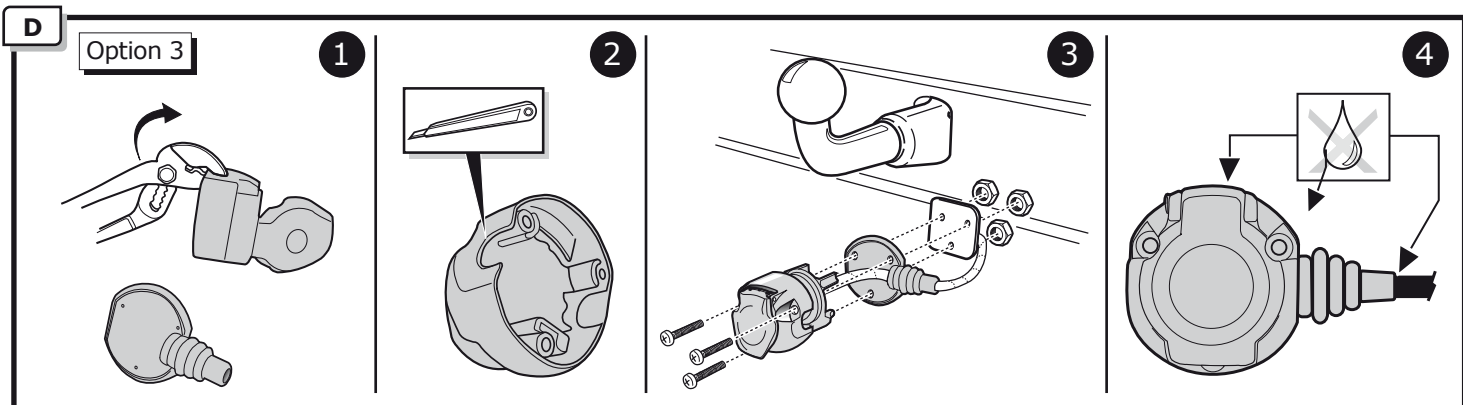
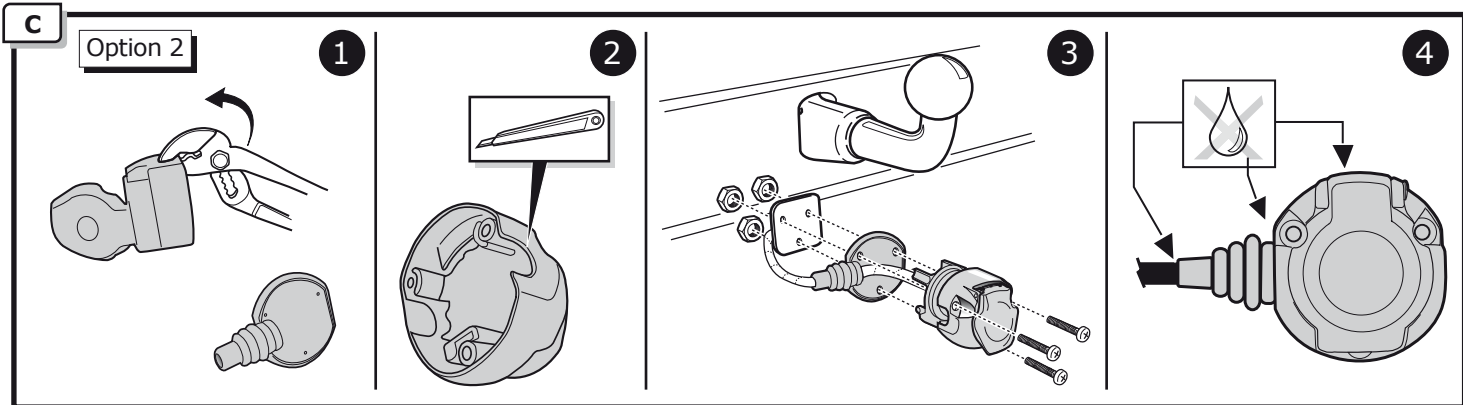
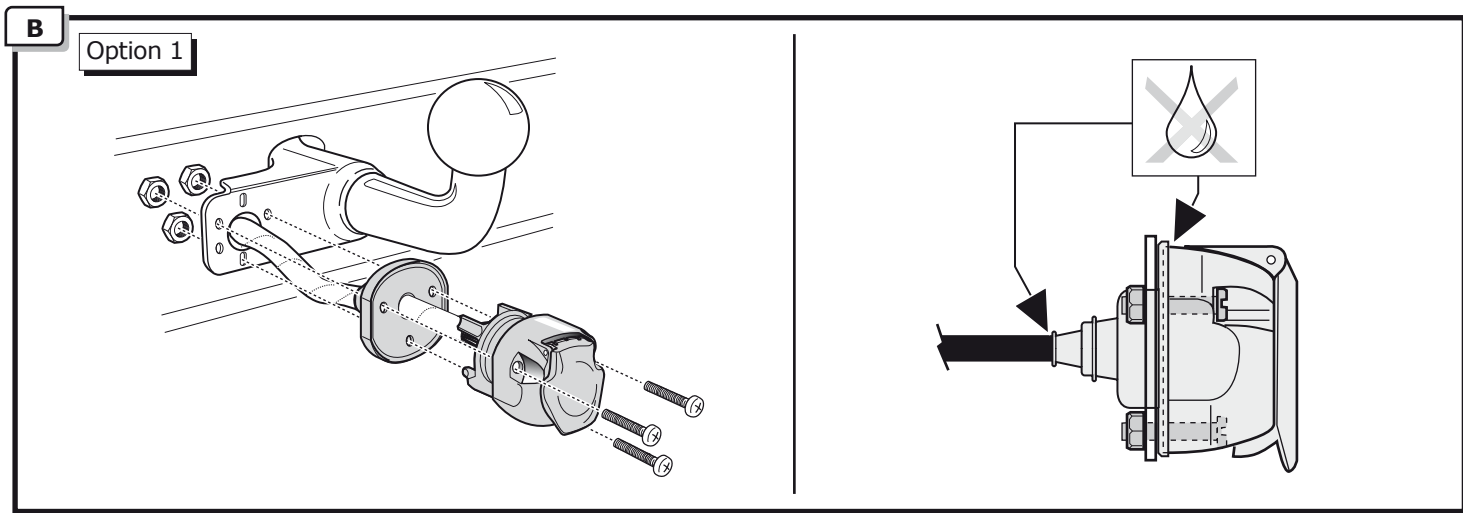


INFO

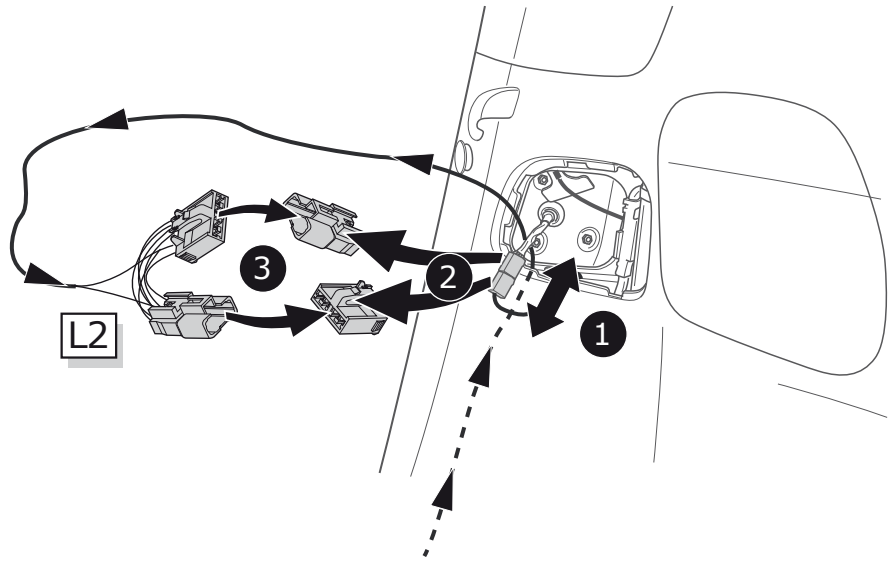
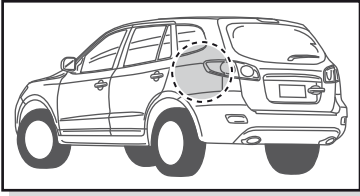
SOCKET CONNECTION



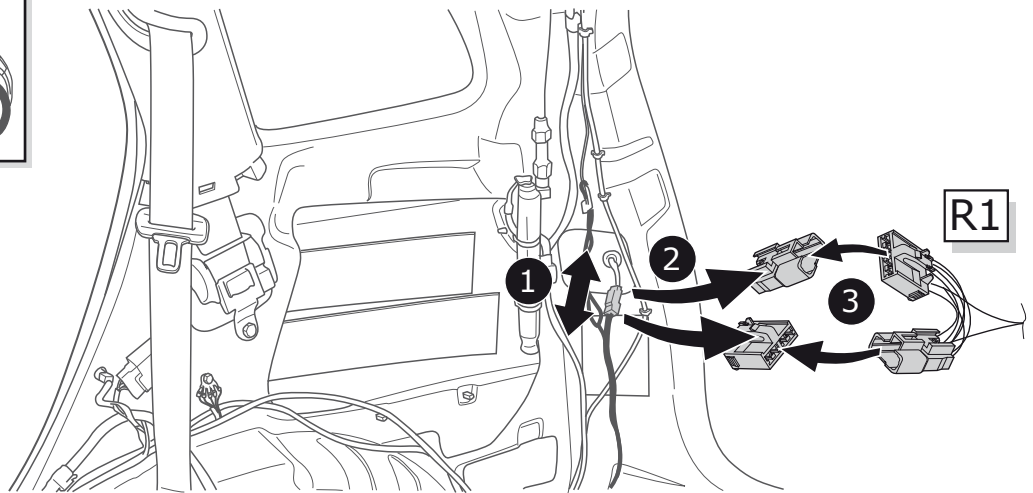
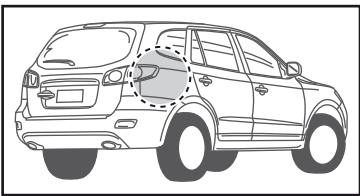
Pag. 11



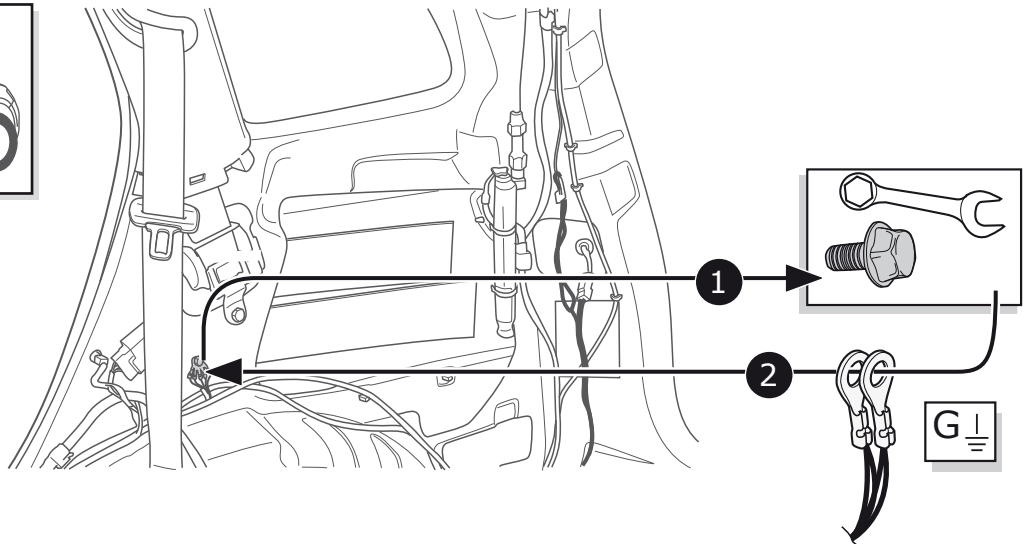
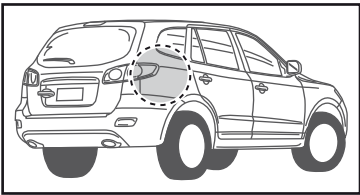
11

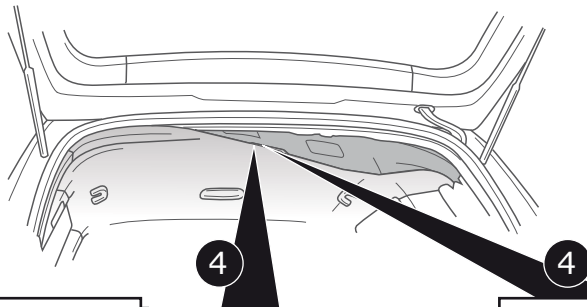
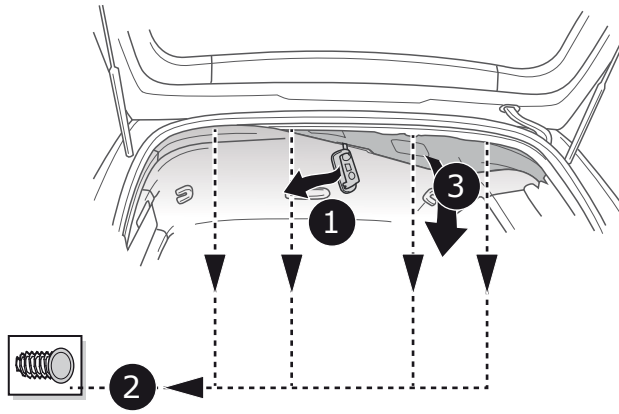
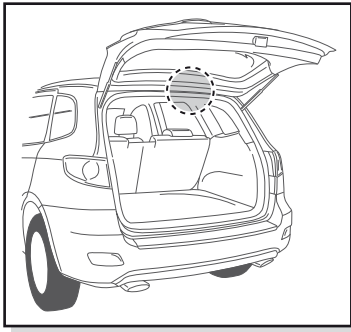


12

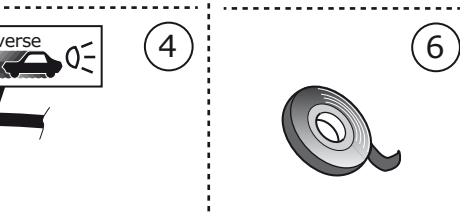
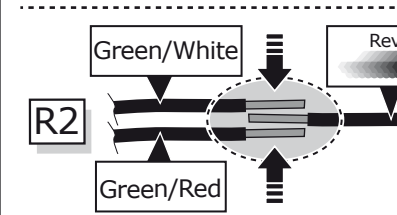
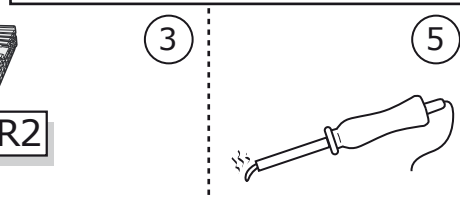
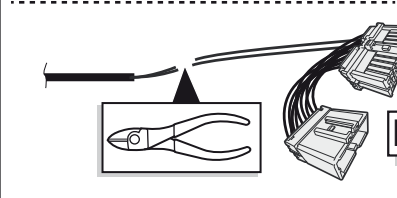
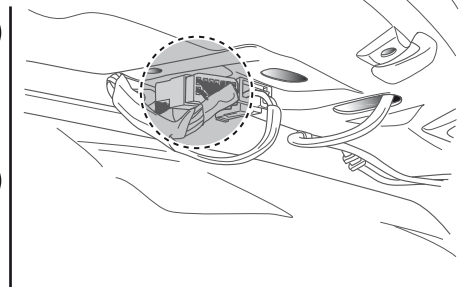
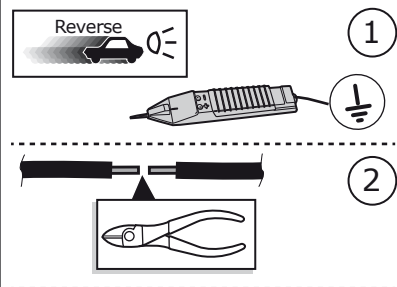


13

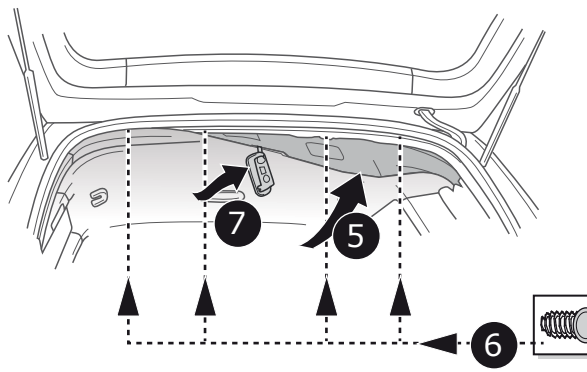
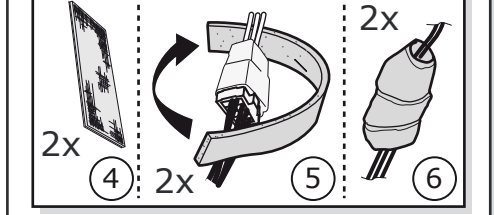
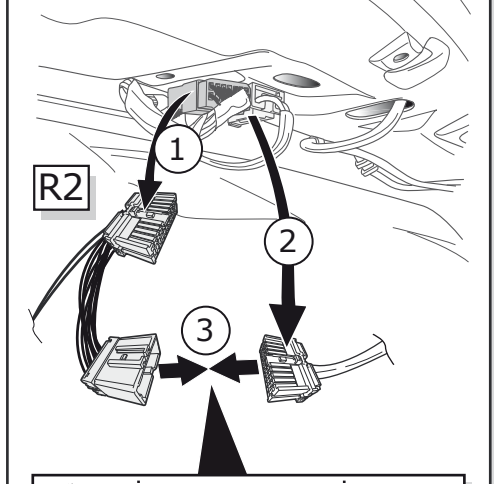


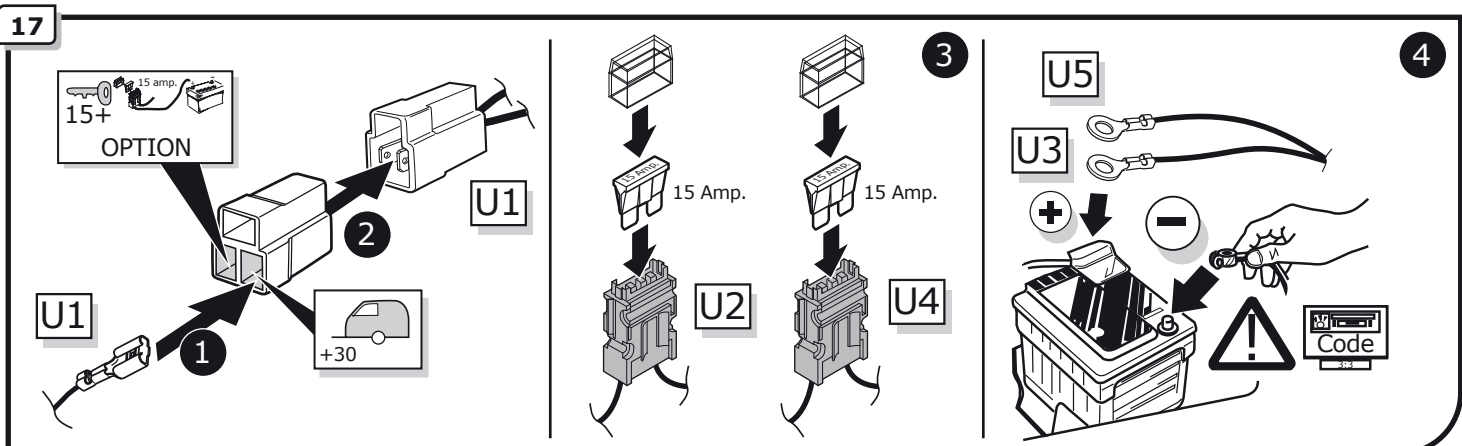
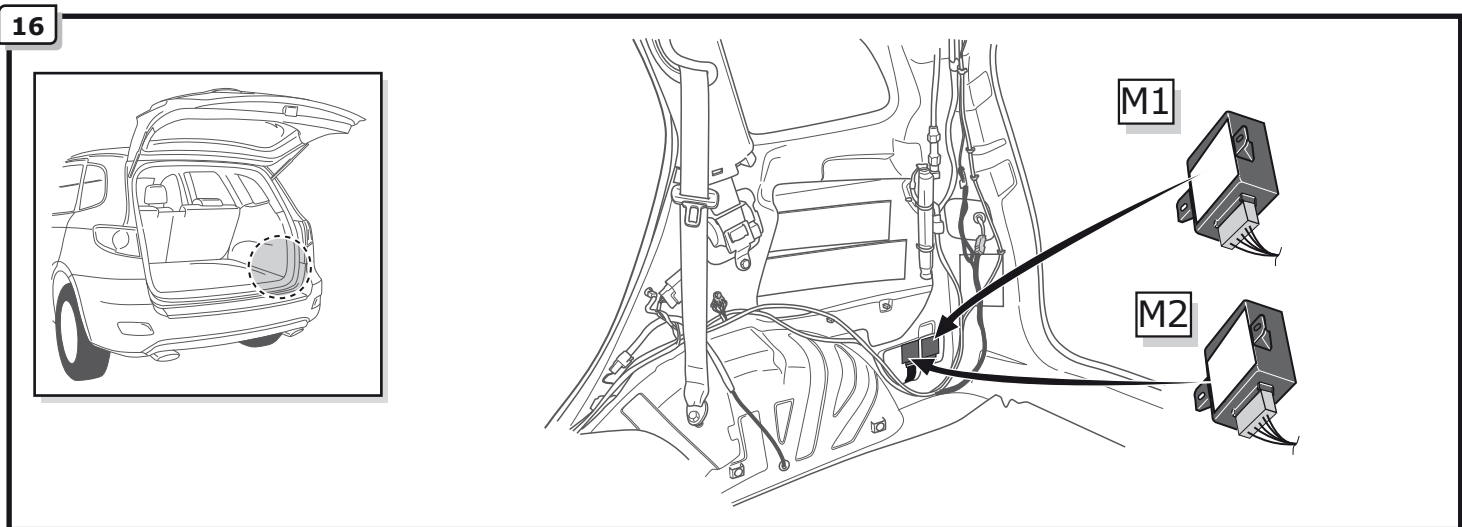
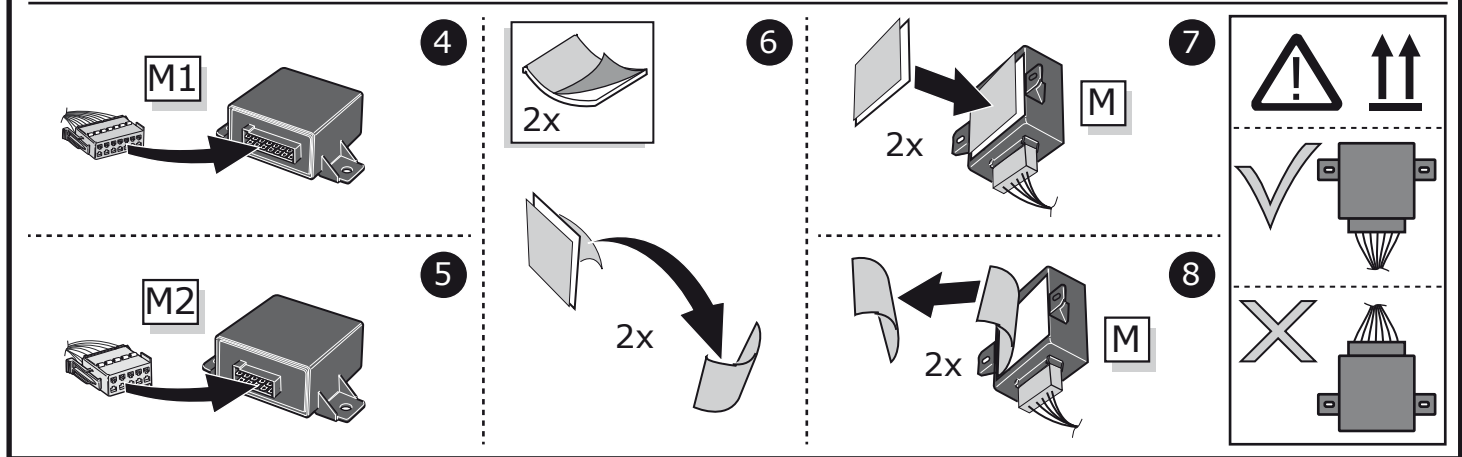
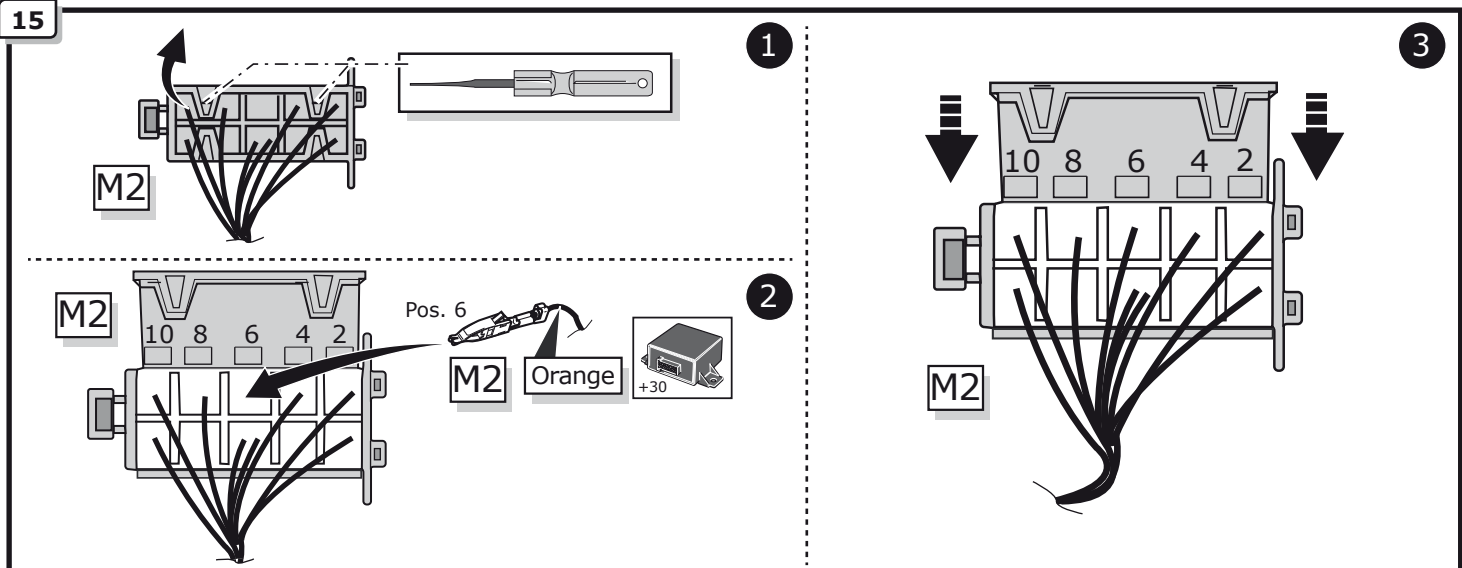


Santa Fe 2006 - 09/2009



Santa Fe 2010-

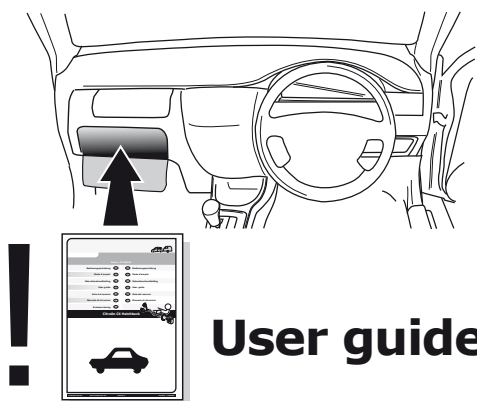




TEST ALL THE CIRCUITS WITH A TEST DEVICE WITH THE CORRECT POWER LOAD FOR EACH FUNCTION. A TEST DEVICE WITH LED'S CANNOT BE USED FOR THIS PURPOSE.

INFO

REINSTALL TRIM.



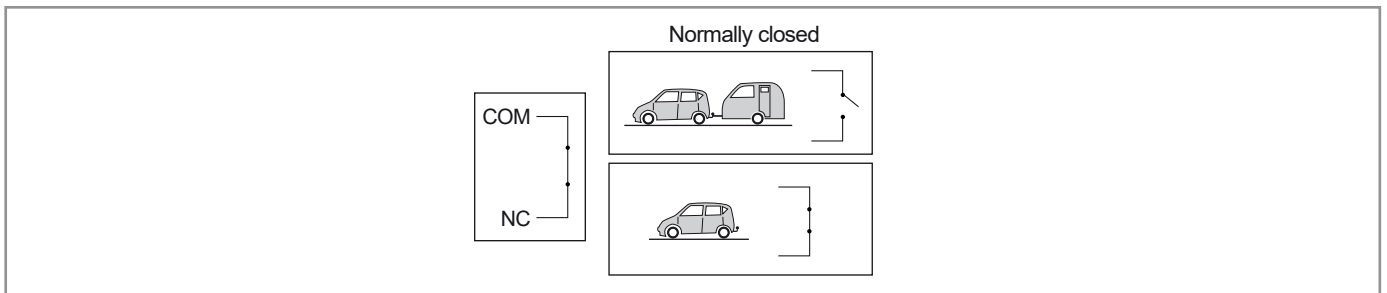
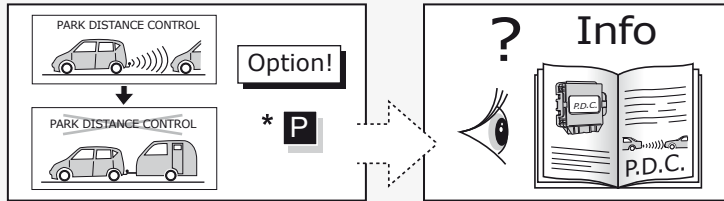
User guide



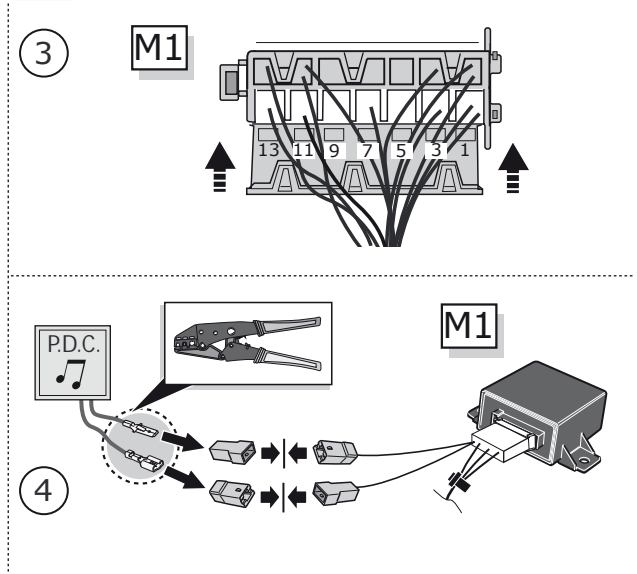
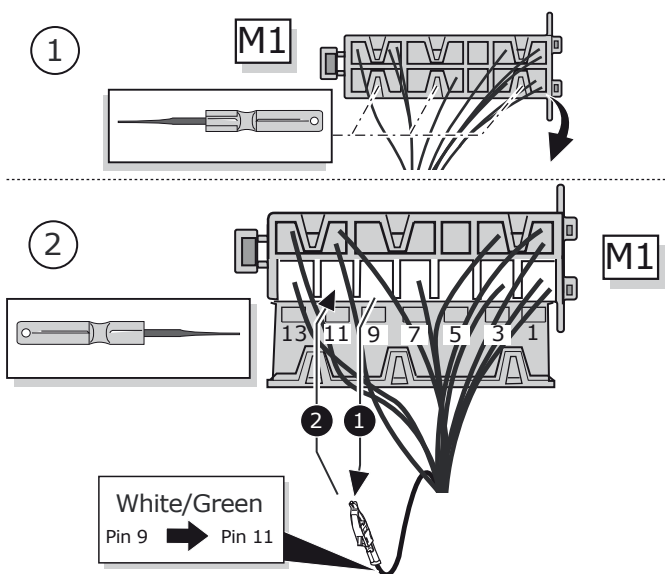
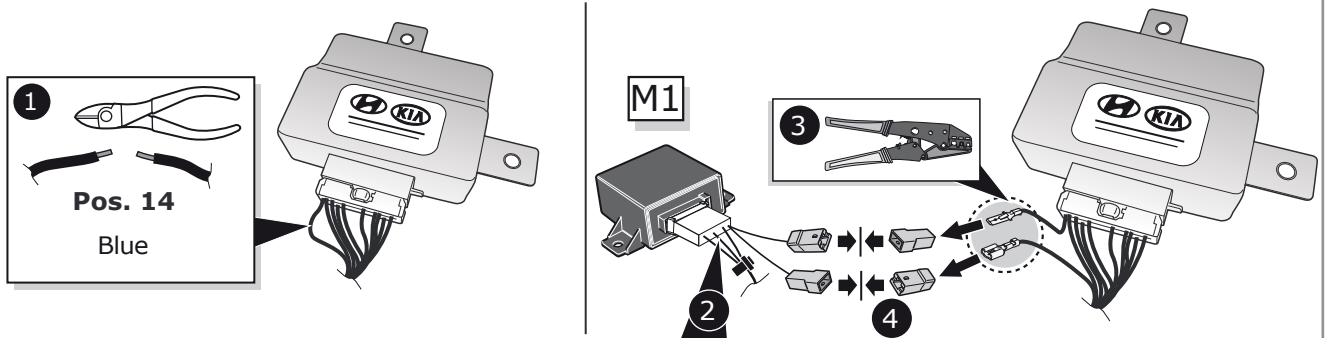
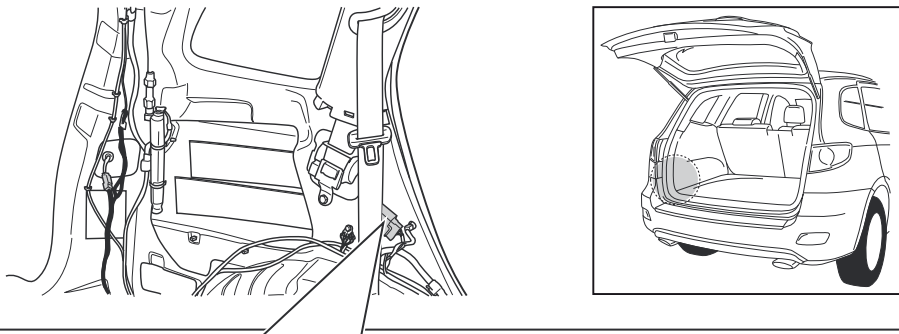
INFO

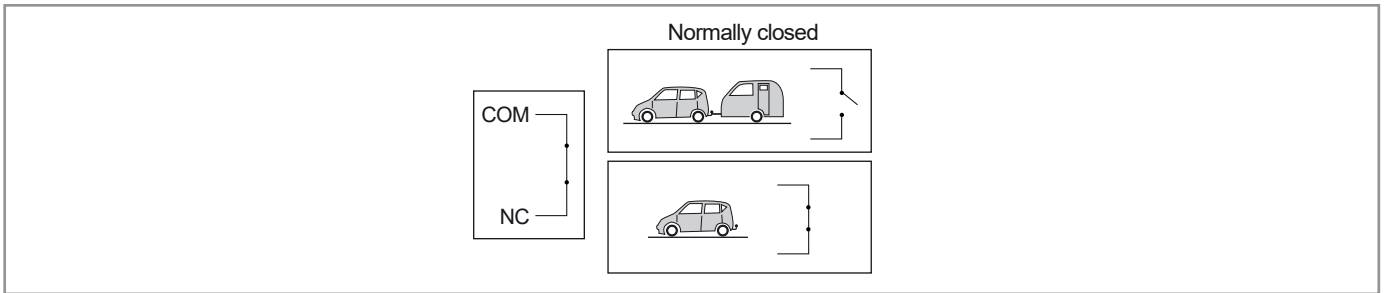
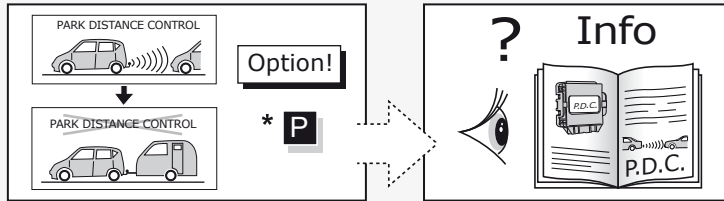
SOCKET CONNECTION

DIV/ISO 11446													
	1/L	2	3/31	4/R	5/58-R	6/54	7/58-L	8	9	10	11	12	13
Pmax	21W	2x21W		21W	52W	3x21W	52W	2x21W	180W/15Amp	180W/15Amp			
Colour	Yellow	Blue	White	Green	Brown	Red 1,00 mm ²	Black	Black/ Red	Brown/ White	Red 2,50 mm ²	White	Red/ Blue	White



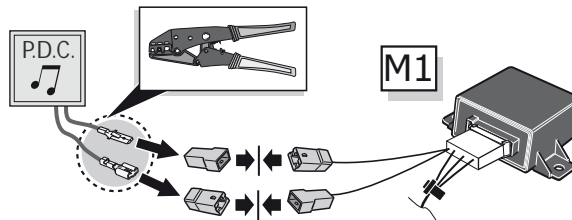
For OEM installed PDC systems





Option 1

For aftermarket installed PDC systems



Option 2

