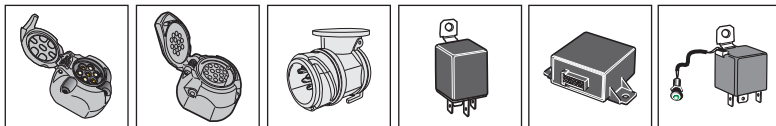
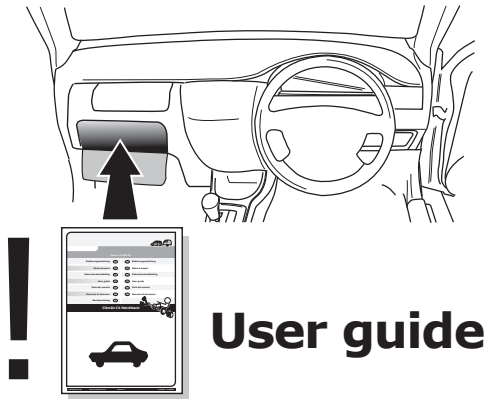


! INFO !

Do not charge the battery of the towing vehicle and/or towed vehicle directly via the socket.



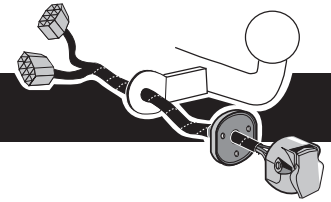
SPARE PARTS

www.ecs-electronicsuk.co.uk

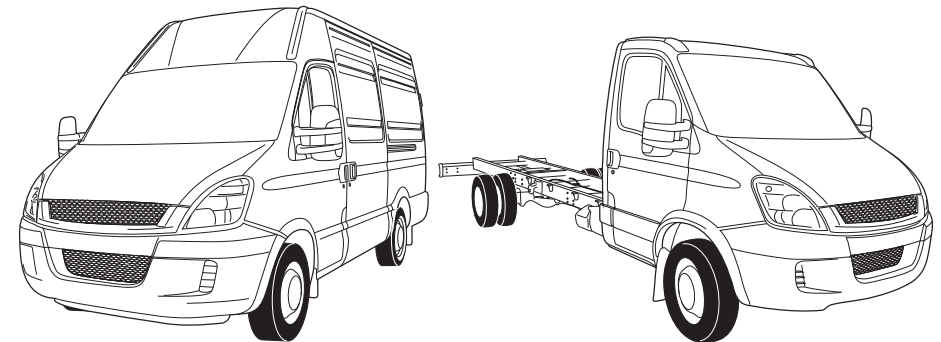


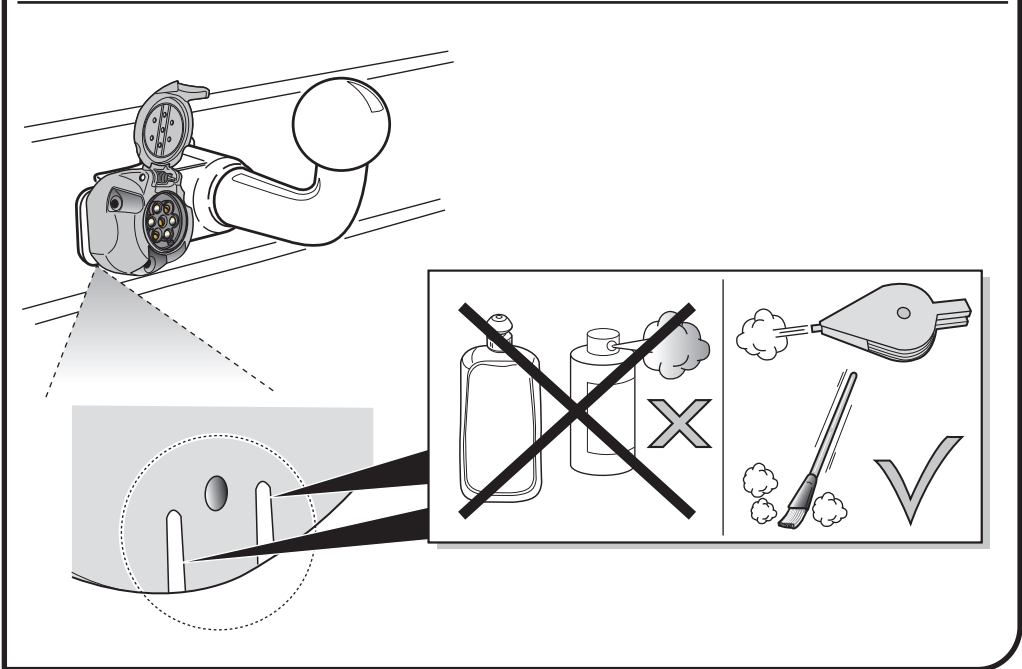
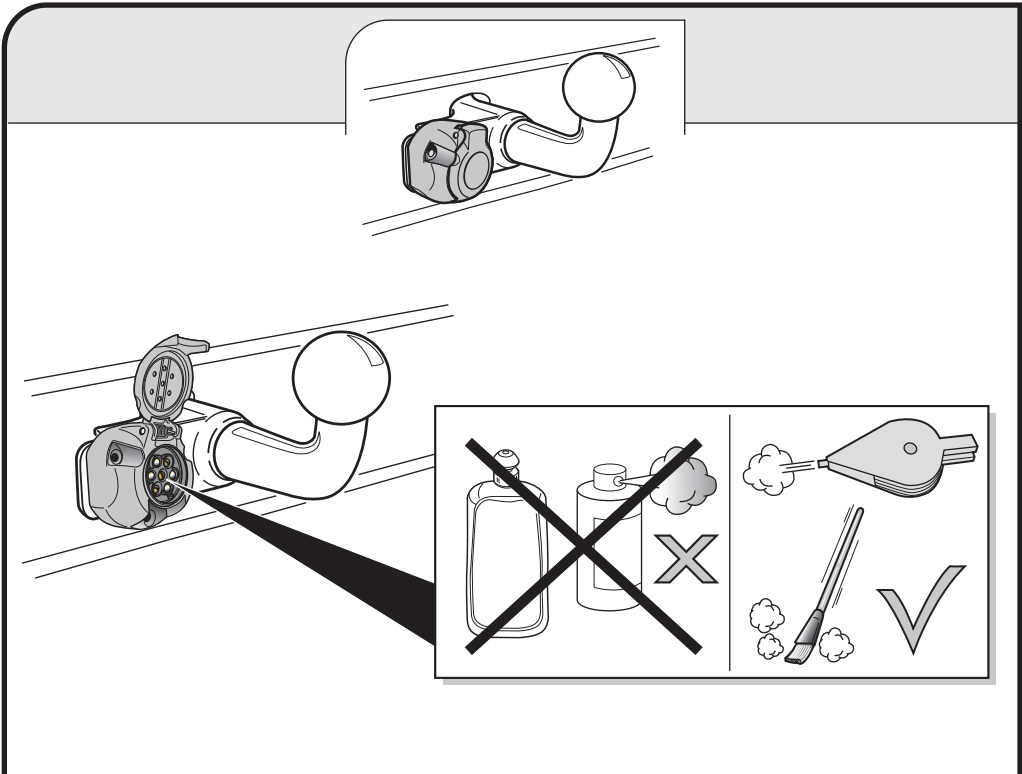
Partnr.: IV-004-BDU

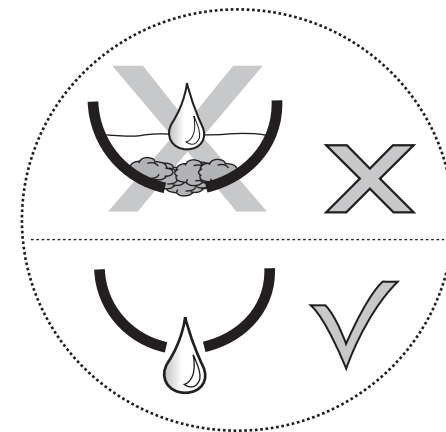
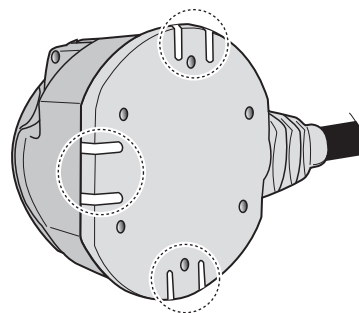
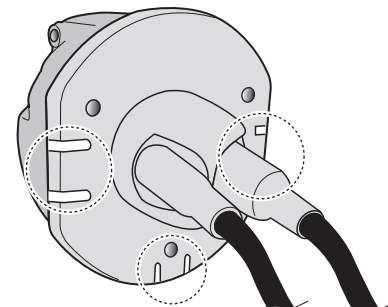
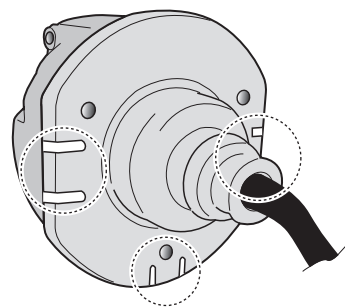
User Guide





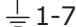




Iveco Daily 01/2011 - 04/2014







SOCKET CONNECTION

DIN/ISO 1724							
	1/L	2	3/31	4/R	5/58-R	6/54	7/58-L
Pmax	21W	2x21W		21W	52W	3x21W	52W
Colour	Yellow	Blue	White	Green	Brown	Red	Black