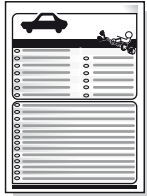
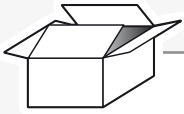


Iveco Daily 01/2011 >> 04/2014 Partnr.: IV-004-BDU

- Fitting instructions electric wiring kit tow bar with 12-N socket up to DIN/ISO Norm 1724.
- We would expressly point out that assembly not carried out properly by a competent installer will result in cancellation of any right to damage compensation, in particular those arising by virtue of the product liability act.
- Contents of these kits and their fitting manuals are subject to alteration without notice, please ensure that these instructions are read and fully understood before commencing installation.
- Do not overload circuits; the maximum loads per connection are detailed in this manual.
- Attention! Before Installation, please read this manual carefully and inform your customer to consult the vehicle owners manual to check for any vehicle modifications required before towing.
- In the event of functional problems, troubleshooting must be limited to about 0.5 hours, contact the technical support:
ukts@ecs-electronics.com / 07440 202 052.



Part list

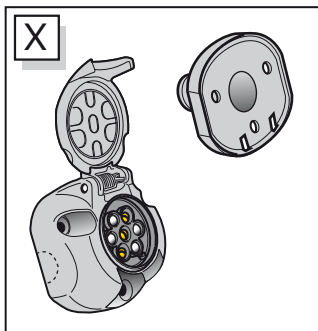
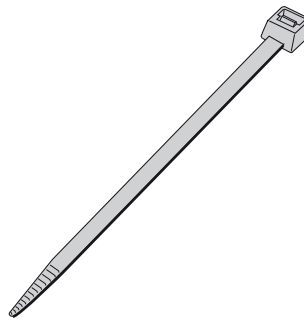


L1



X

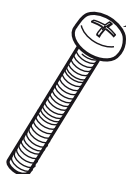
4x



X



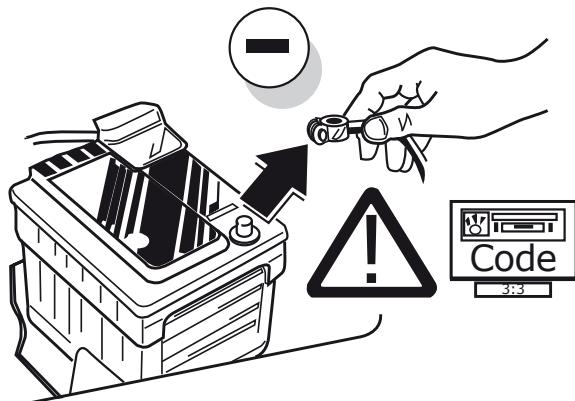
3x



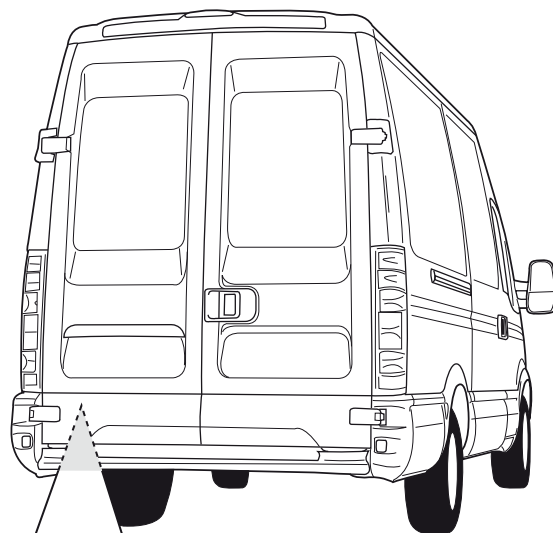
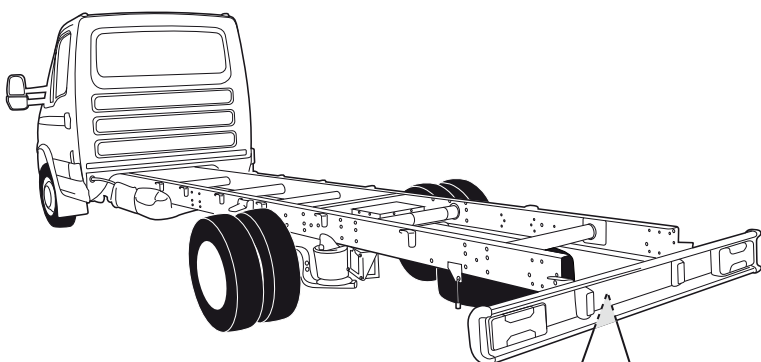
3x



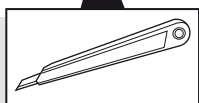
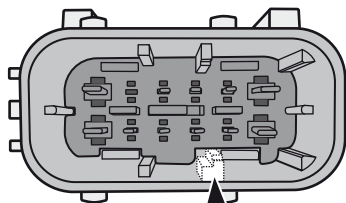
1



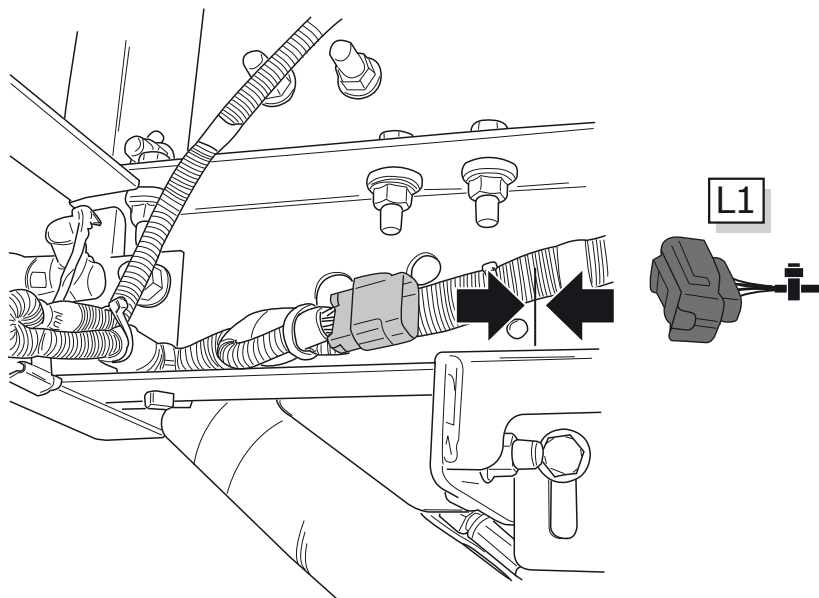
2



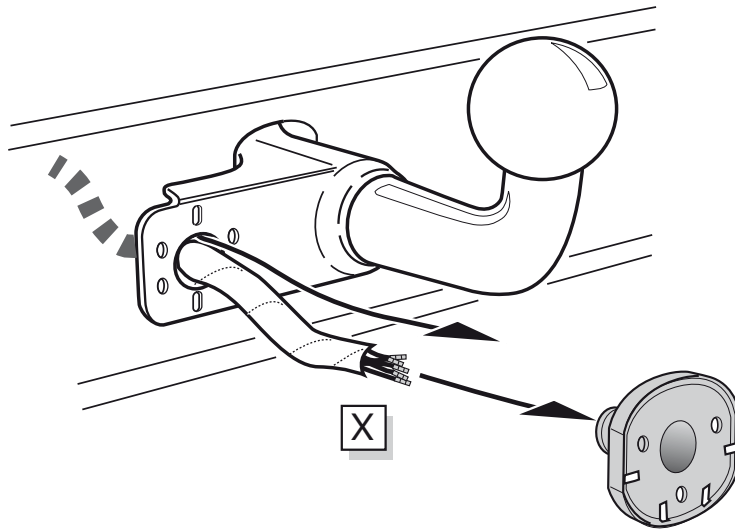
1



2



A



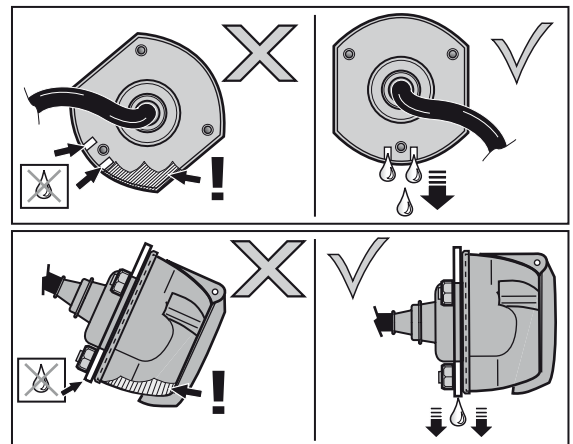
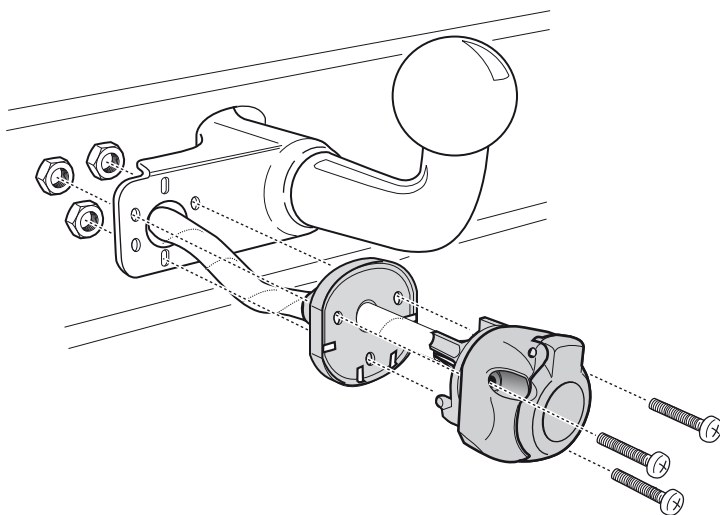
INFO

SOCKET CONNECTION

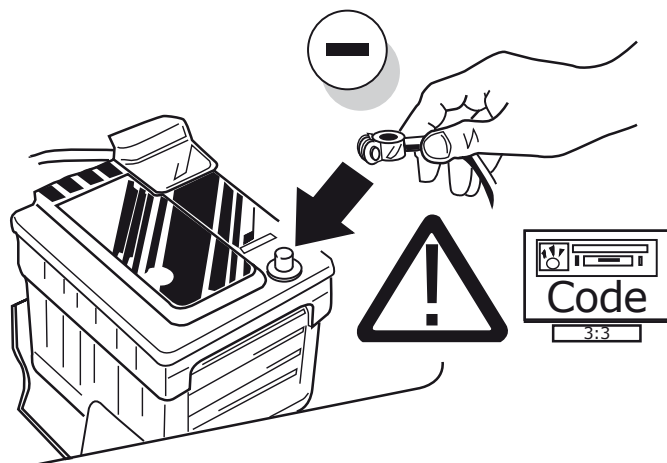


Pag. 6

B



3

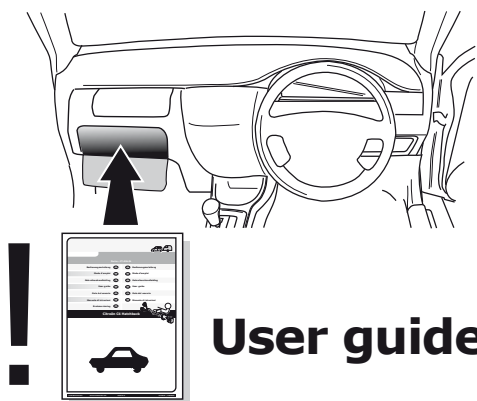


4



TEST ALL THE CIRCUITS WITH A TEST DEVICE WITH THE CORRECT POWER LOAD FOR EACH FUNCTION. A TEST DEVICE WITH LED'S CANNOT BE USED FOR THIS PURPOSE.



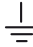




5



User guide

A banner for technical support. It features a headset icon with the text 'CALL 07440 202 052' inside it. A diagonal banner on the left says 'TECHNICAL SUPPORT'. At the bottom, the ECS Electronics logo is shown along with contact details: 'MONDAY TO FRIDAY 08.00 - 11.00 am 12.00 - 05.00 pm', 'uks@ecs-electronics.com', and 'www.ecs-electronicsuk.co.uk'.

SOCKET CONNECTION

DIN/ISO 1724			 1-7				
	1/L	2	3/31	4/R	5/58-R	6/54	7/58-L
Pmax	21W	2x21W		21W	52W	3x21W	52W
Colour	Yellow	Blue	White	Green	Brown	Red	Black