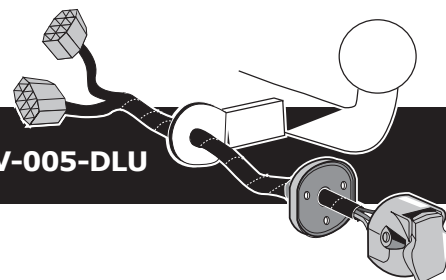


Daily Van 06/2014 >>
Daily Chassis Cab & Pick up 06/2014 >>
eDaily Van 07/2023 >>
eDaily Chassis Cab & Pick up 07/2023 >>

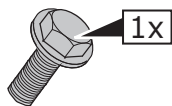
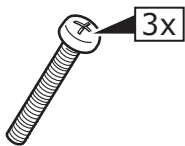
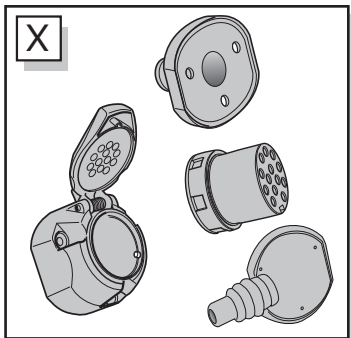
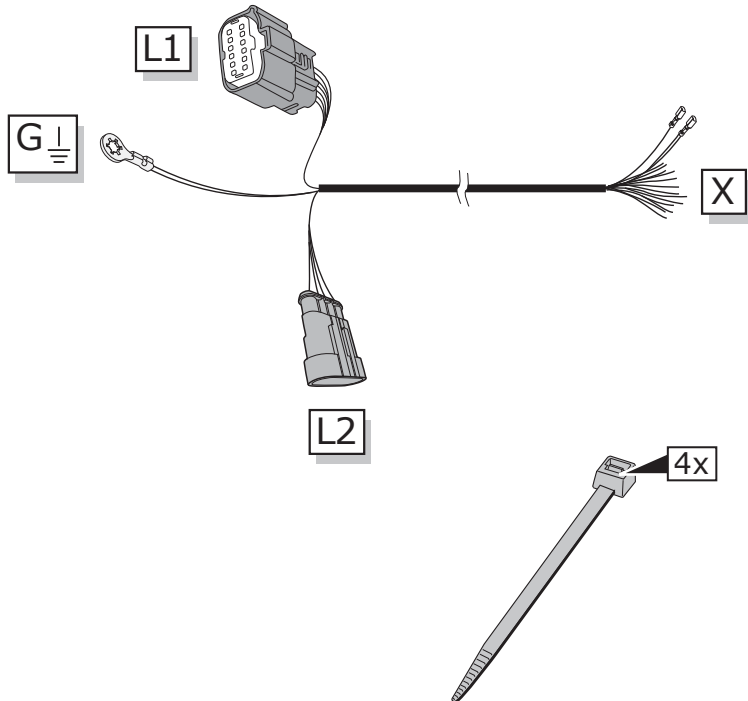
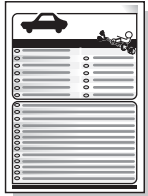
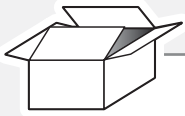


Partnr.: IV-005-DLU

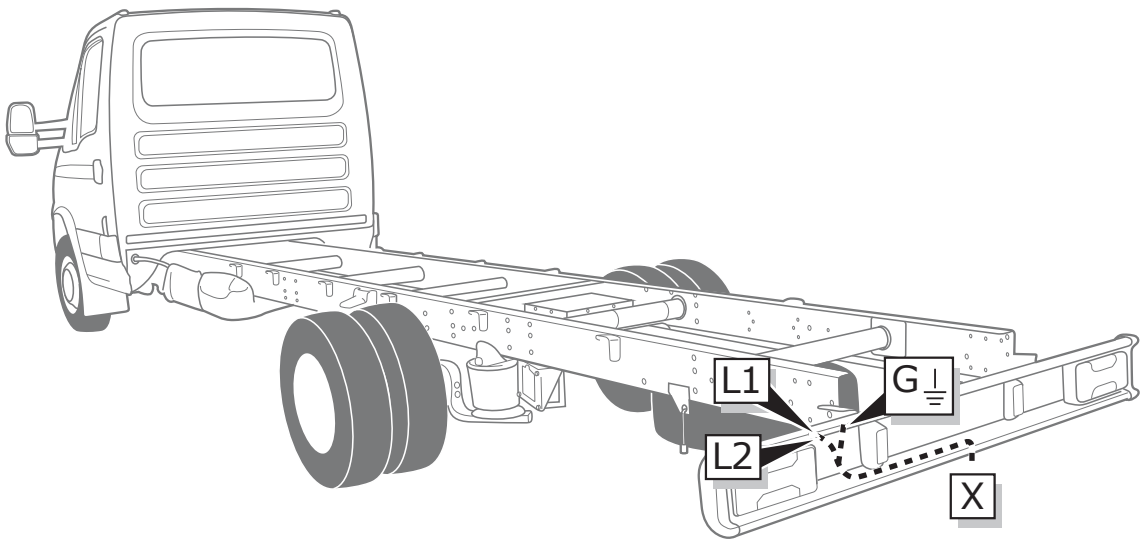
- Fitting instructions electric wiring kit tow bar with 13-P socket up to DIN/ISO Norm 11446.
- We would expressly point out that assembly not carried out properly by a competent installer will result in cancellation of any right to damage compensation, in particular those arising by virtue of the product liability act.
- Contents of these kits and their fitting manuals are subject to alteration without notice, please ensure that these instructions are read and fully understood before commencing installation.
- Do not overload circuits; the maximum loads per connection are detailed in this manual.
- Attention! Before Installation, please read this manual carefully and inform your customer to consult the vehicle owners manual to check for any vehicle modifications required before towing.
- In the event of functional problems, troubleshooting must be limited to about 0.5 hours, contact the technical support:
ukts@ecs-electronics.com / 07440 202 052.



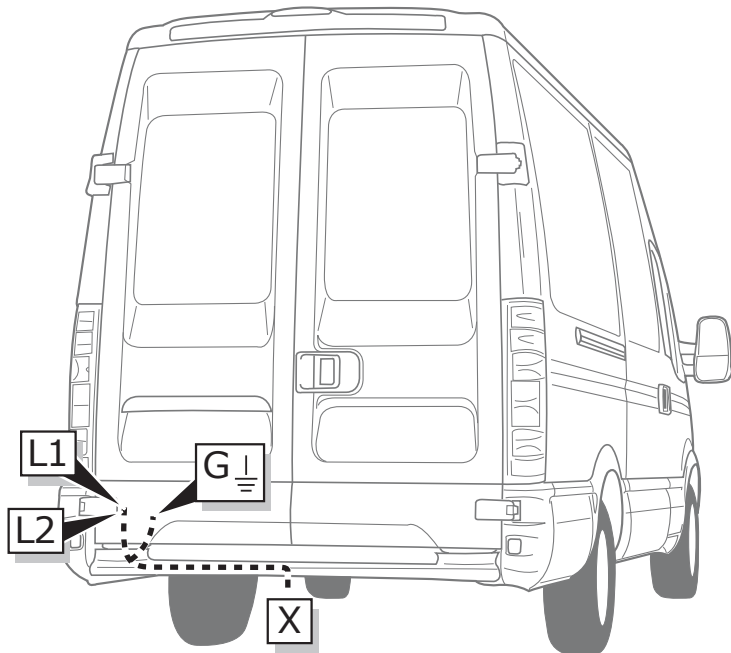
Part list



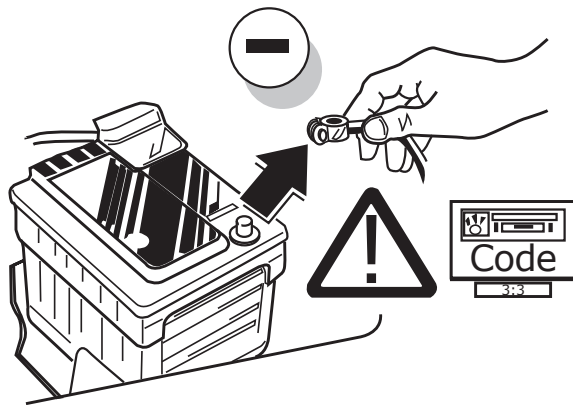
Iveco Daily chassis



Iveco Daily van

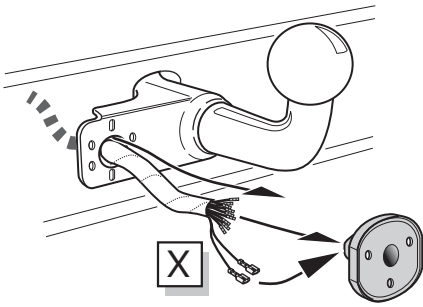


1

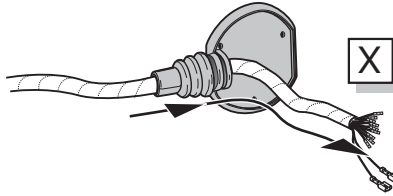


A

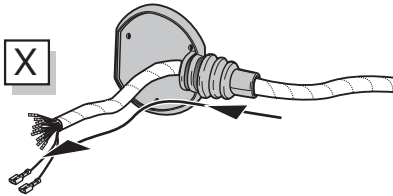
Option 1



Option 2



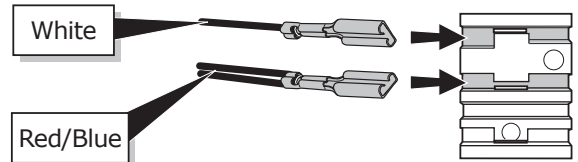
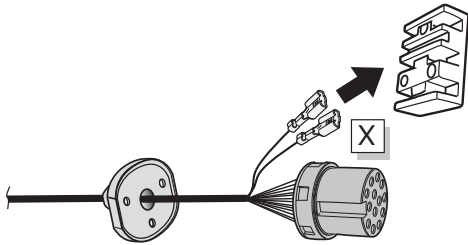
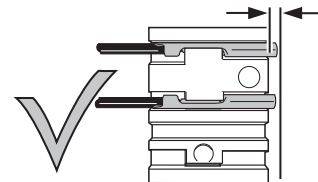
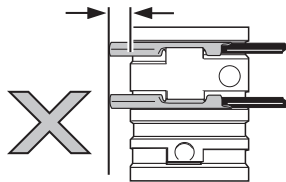
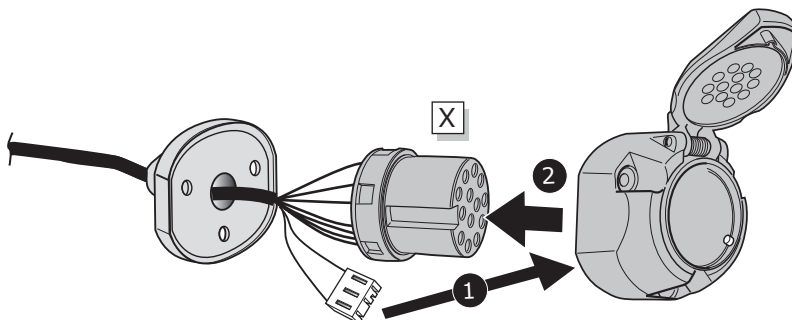
Option 3

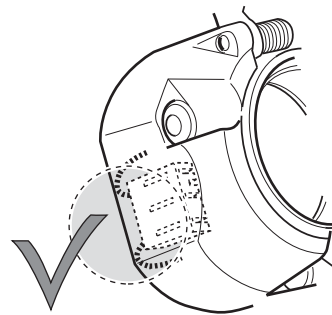
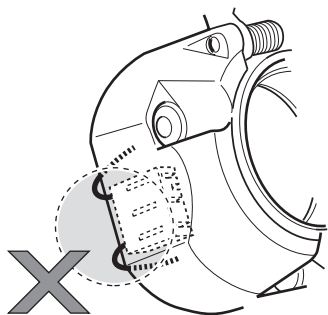
**INFO**

SOCKET CONNECTION

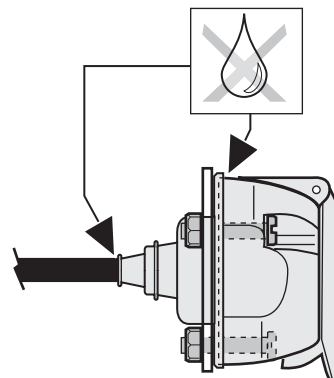
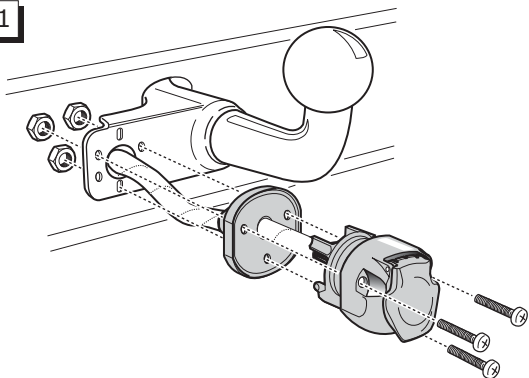


Page 7

B**C****D**

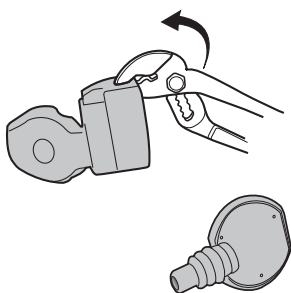
E**F**

Option 1

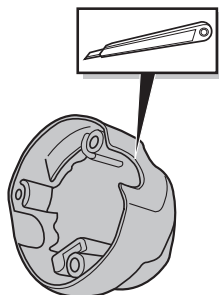
**G**

Option 2

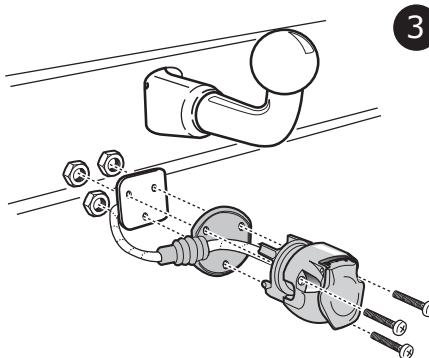
1



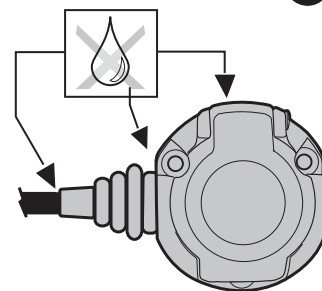
2



3

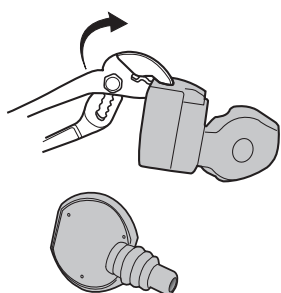


4

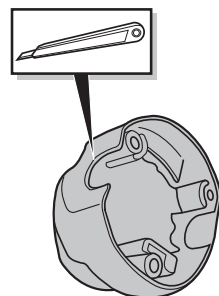
**H**

Option 3

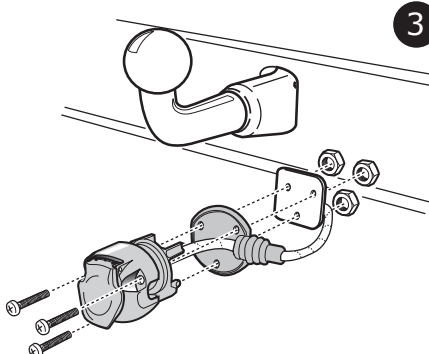
1



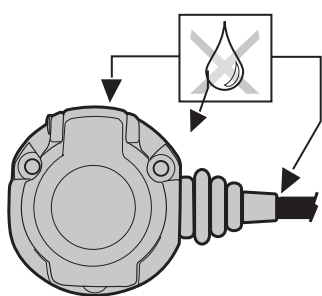
2



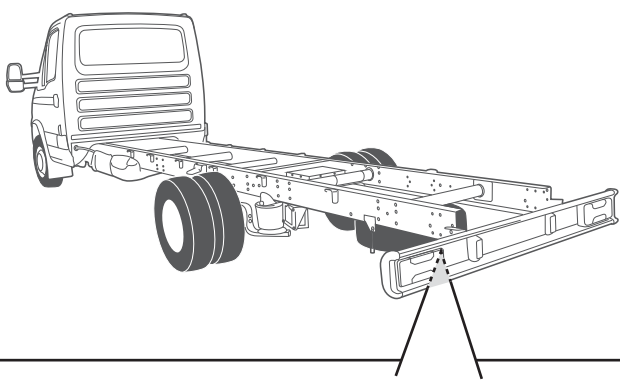
3



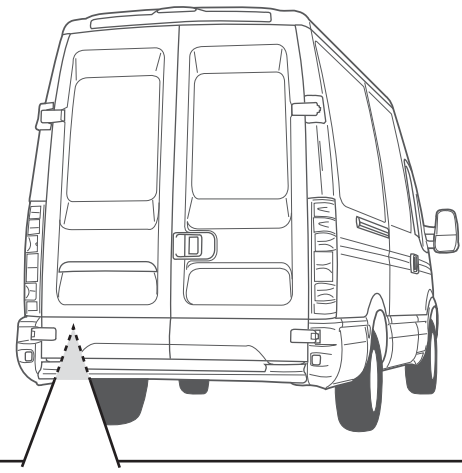
4



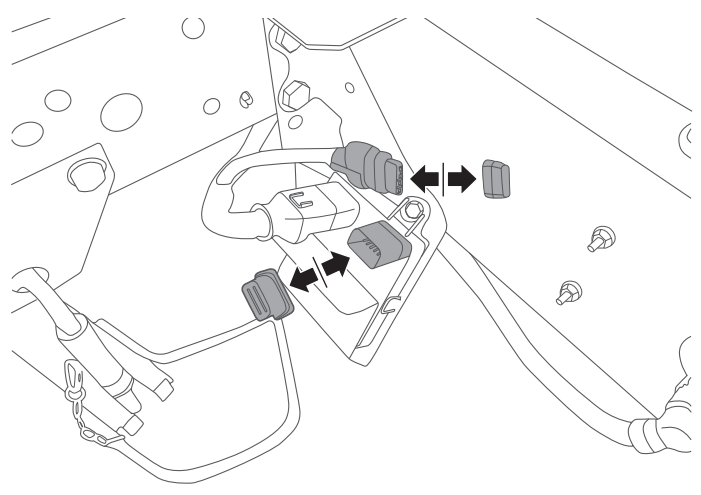
Iveco Daily chassis



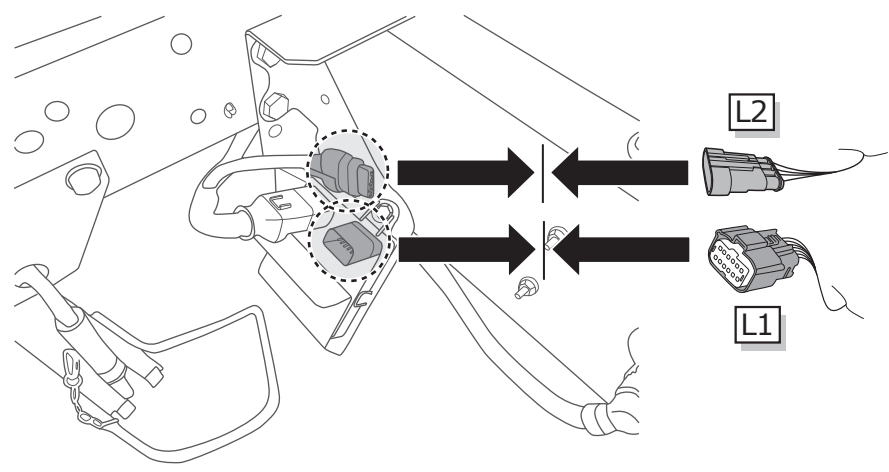
Iveco Daily van



1

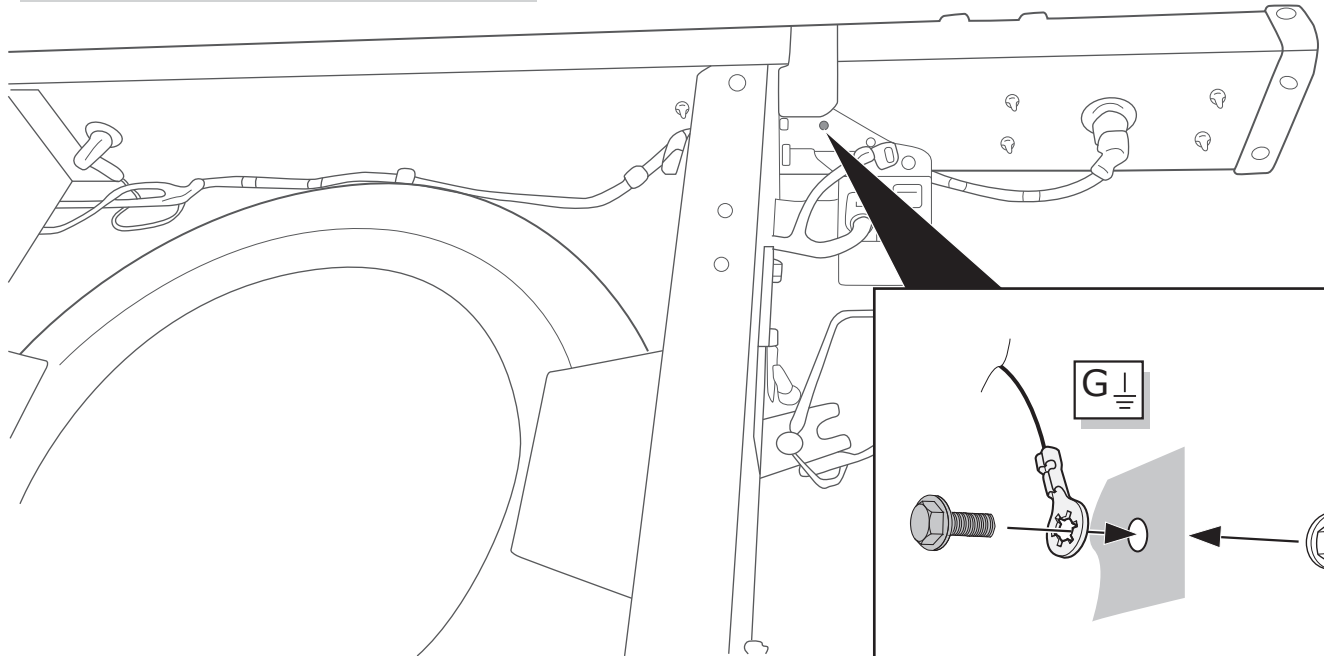
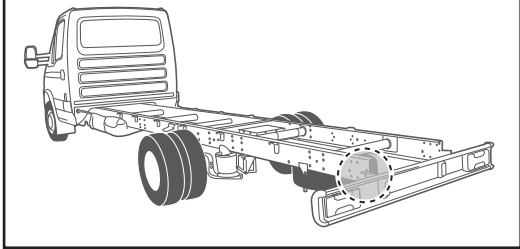


2



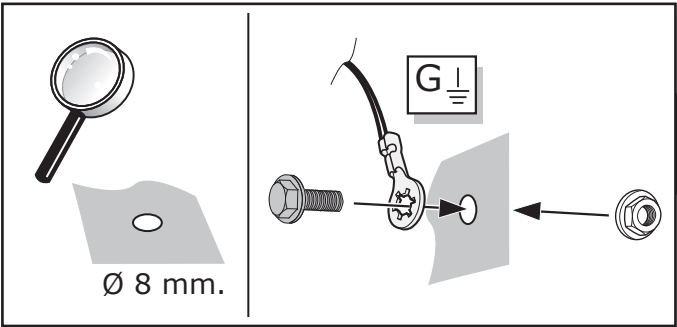
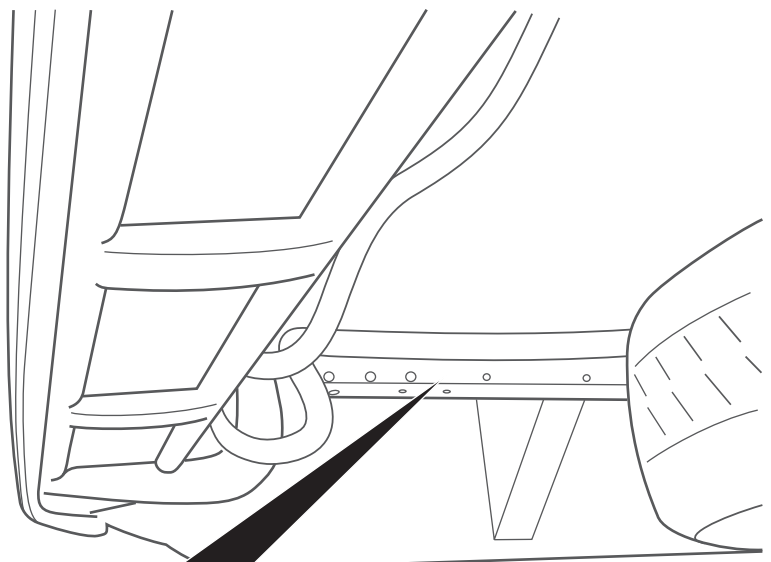
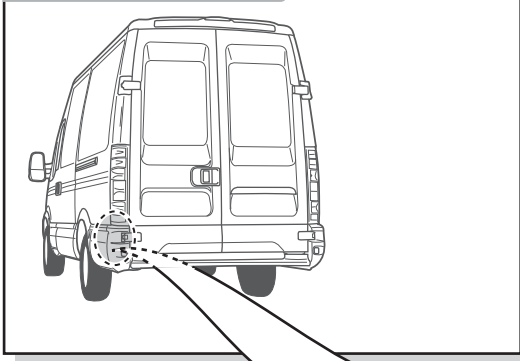
3

Iveco Daily chassis

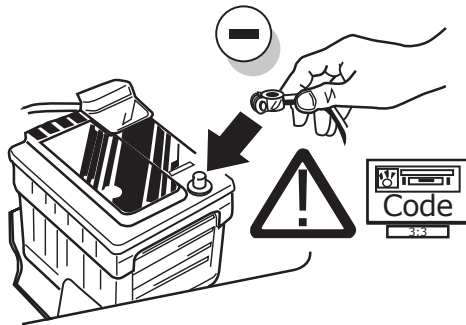


4

Iveco Daily van



5



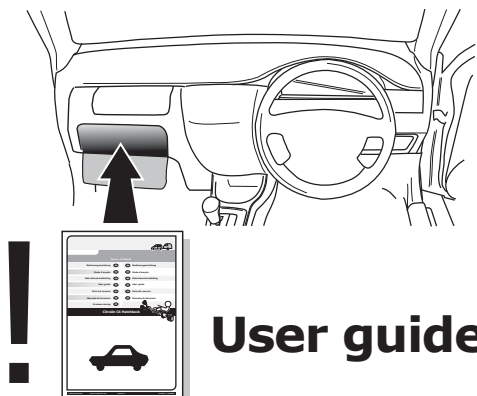
6

TEST ALL THE CIRCUITS WITH A TEST DEVICE WITH THE CORRECT POWER LOAD FOR EACH FUNCTION. A TEST DEVICE WITH LED'S CANNOT BE USED FOR THIS PURPOSE.

INFO

REINSTALL TRIM.

7



User guide



INFO

SOCKET CONNECTION

DIN/ISO 11446													
	1/L	2	3/31	4/R	5/58-R	6/54	7/58-L	8	9	10	11	12	13
Pmax	21W	2x21W		21W	52W	3x21W	52W	2x21W	180W/15Amp	180W/15Amp			
Colour	Yellow	Blue	White	Green	Brown	Red 1,00 mm ²	Black	Black/ Red	Brown/ White	Red 2,50 mm ²	White	Red/ Blue	White