

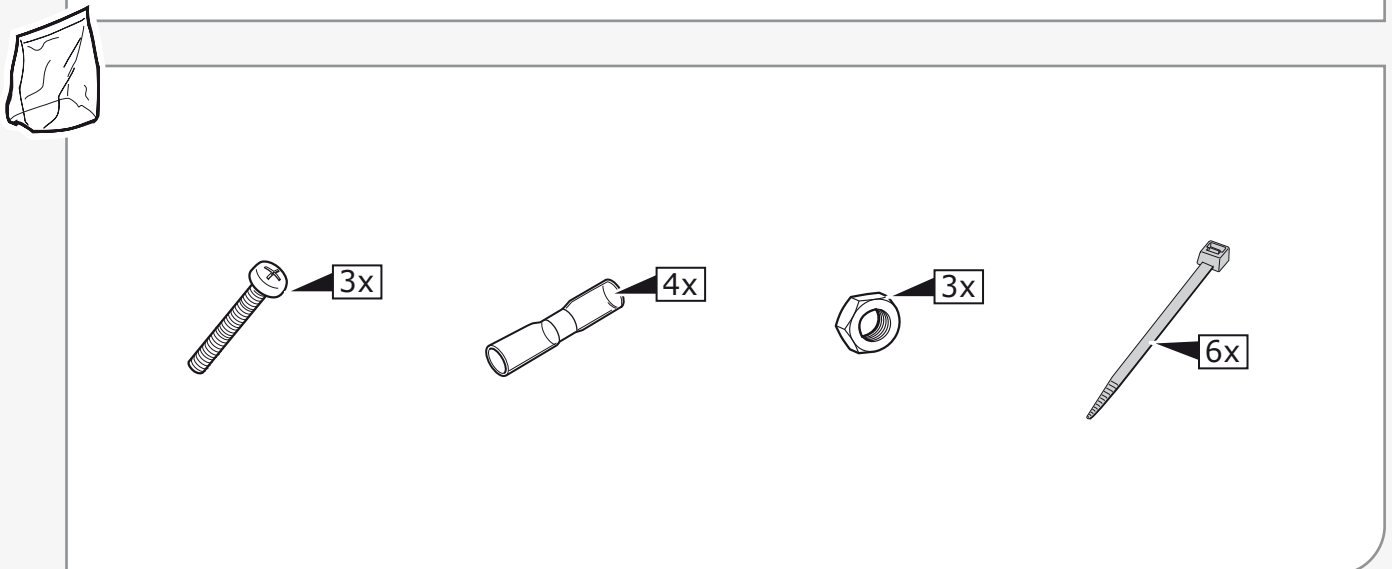
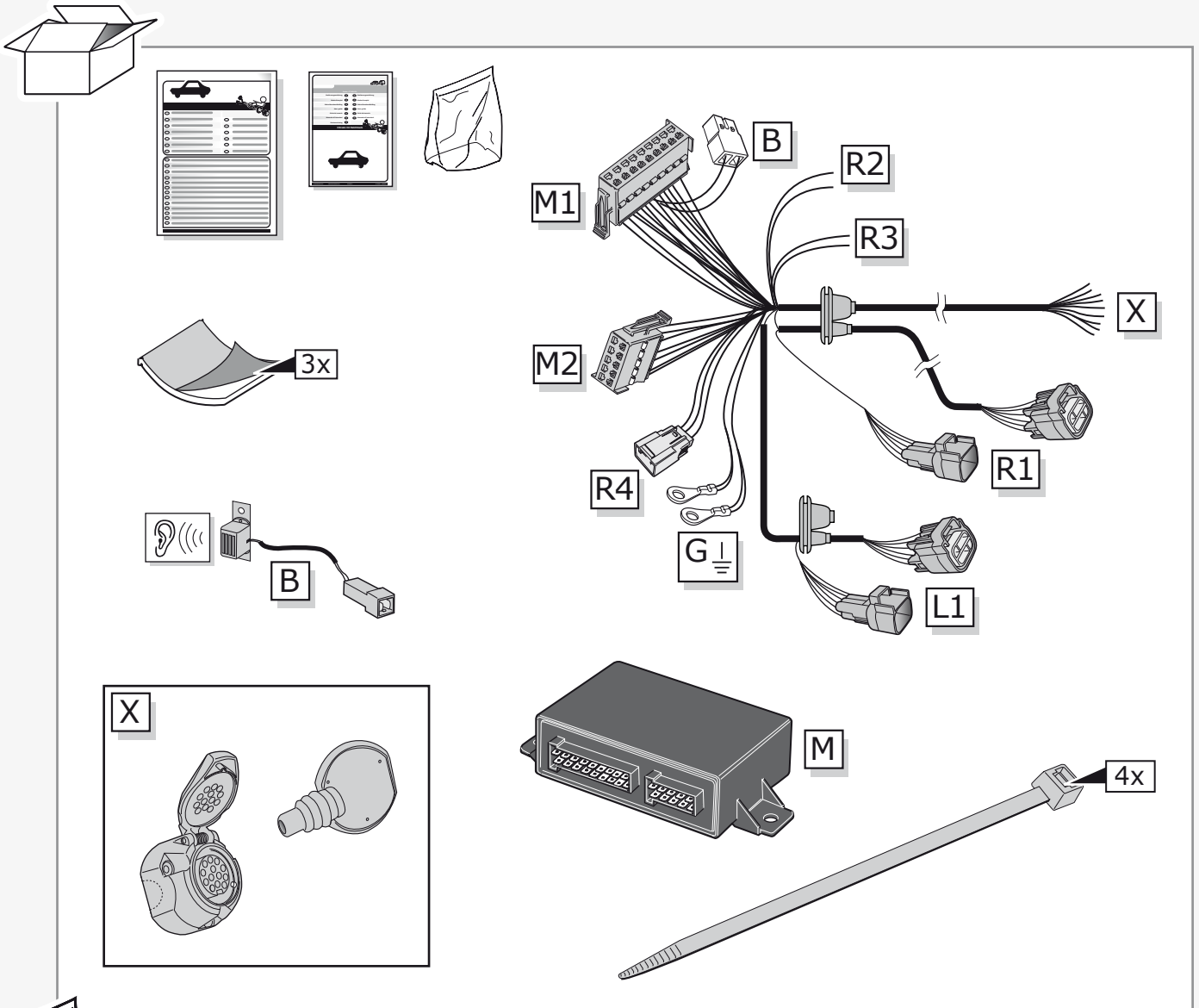
Jaguar XF 2012

Partnr.: JG-004-DHU

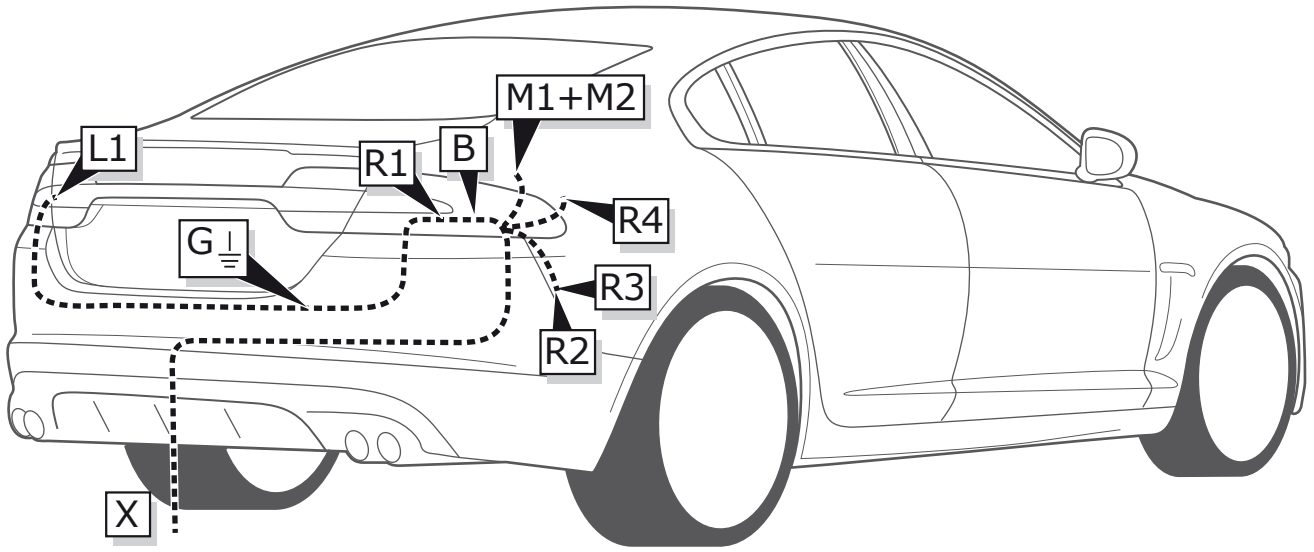
- Fitting instructions electric wiring kit tow bar with 13-P socket up to DIN/ISO Norm 11446.
- We would expressly point out that assembly not carried out properly by a competent installer will result in cancellation of any right to damage compensation, in particular those arising by virtue of the product liability act.
- Contents of these kits and their fitting manuals are subject to alteration without notice, please ensure that these instructions are read and fully understood before commencing installation.
- Do not overload circuits; the maximum loads per connection are detailed in this manual.
- Attention! Before Installation, please read this manual carefully and inform your customer to consult the vehicle owners manual to check for any vehicle modifications required before towing.
- In the event of functional problems, troubleshooting must be limited to about 0.5 hours, contact the technical support:
ukts@ecs-electronics.com / 07440 202 052.



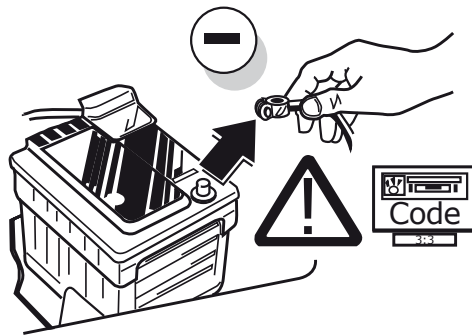
Part list



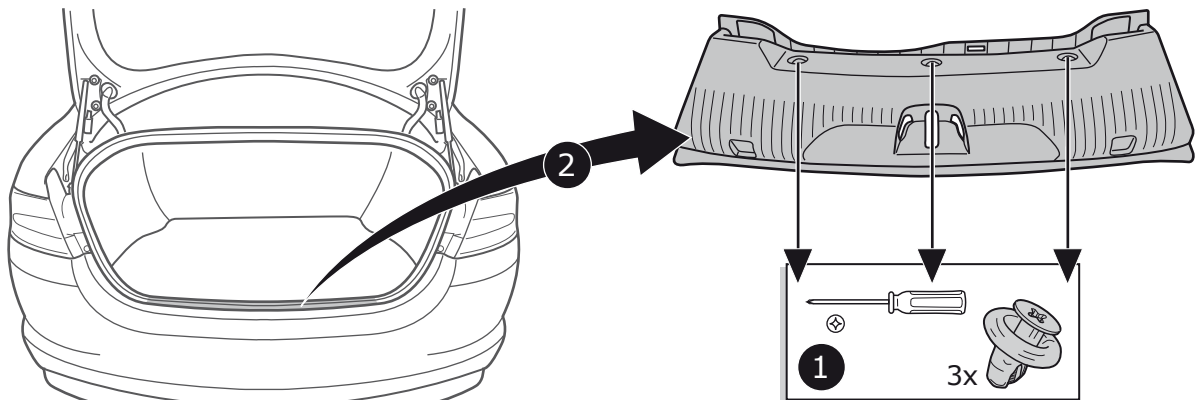
ROUTING



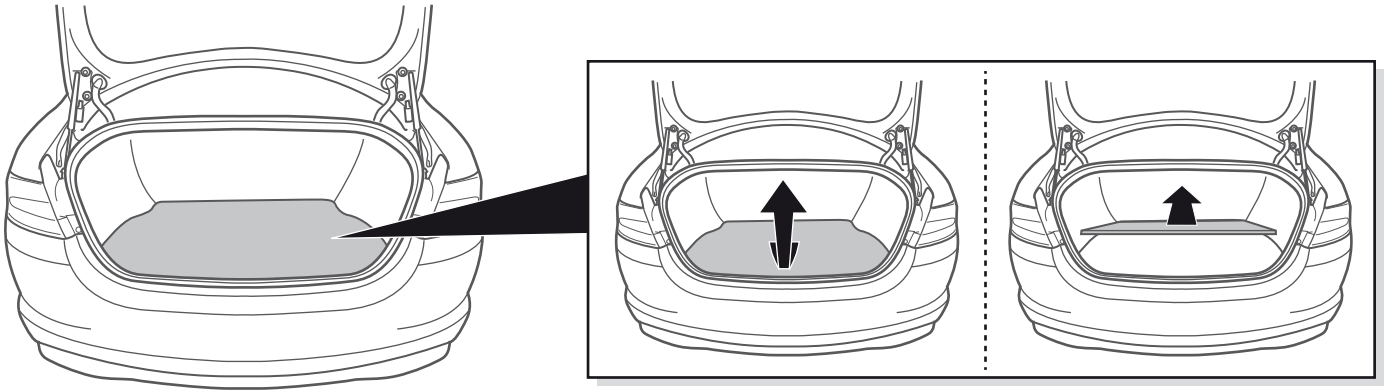
1



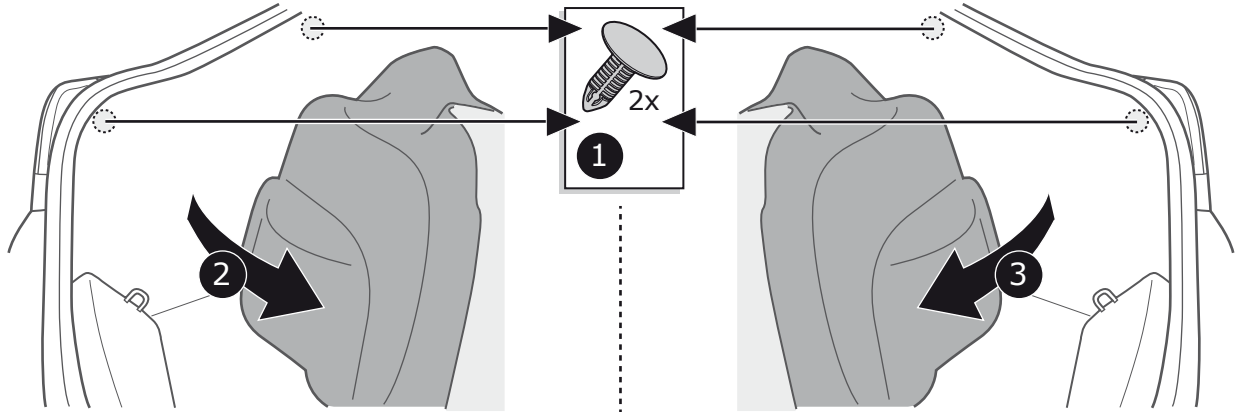
2



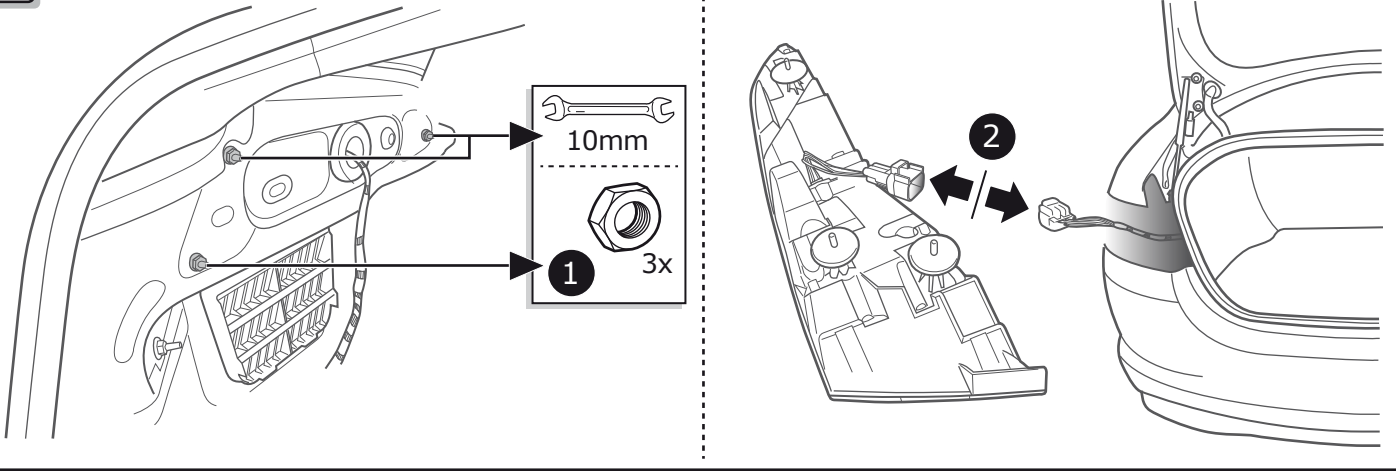
3



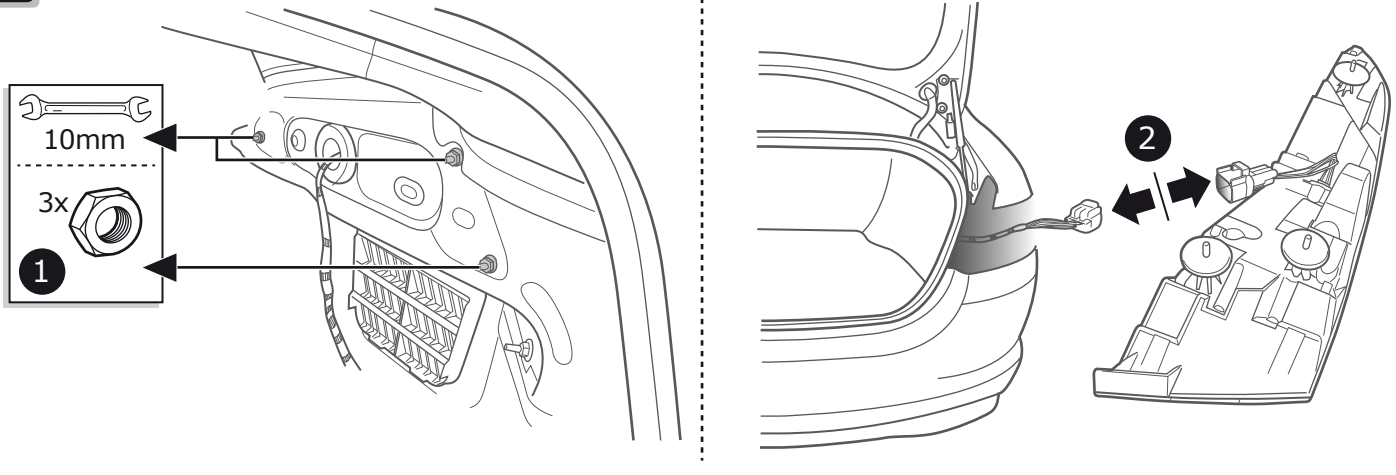
4



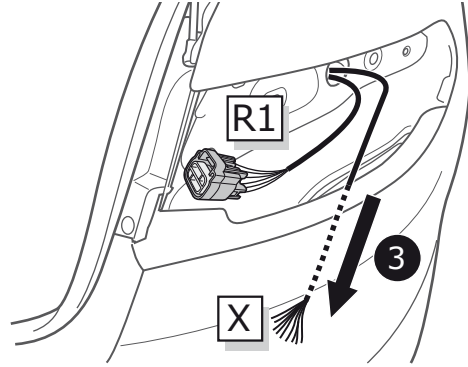
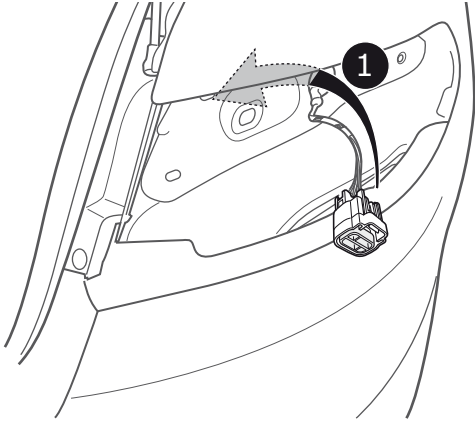
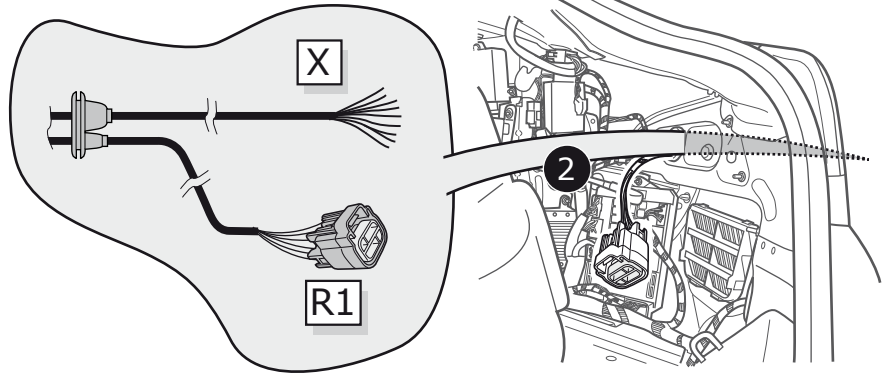
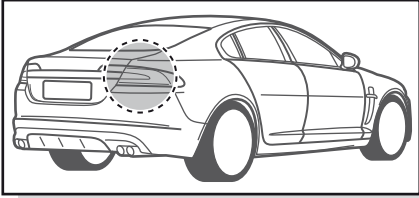
5



6

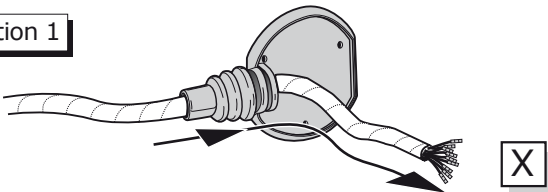


7

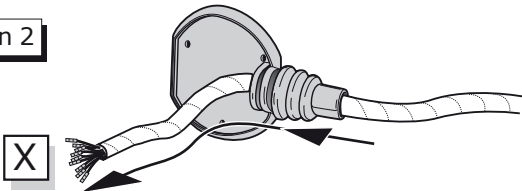


A

Option 1



Option 2



INFO

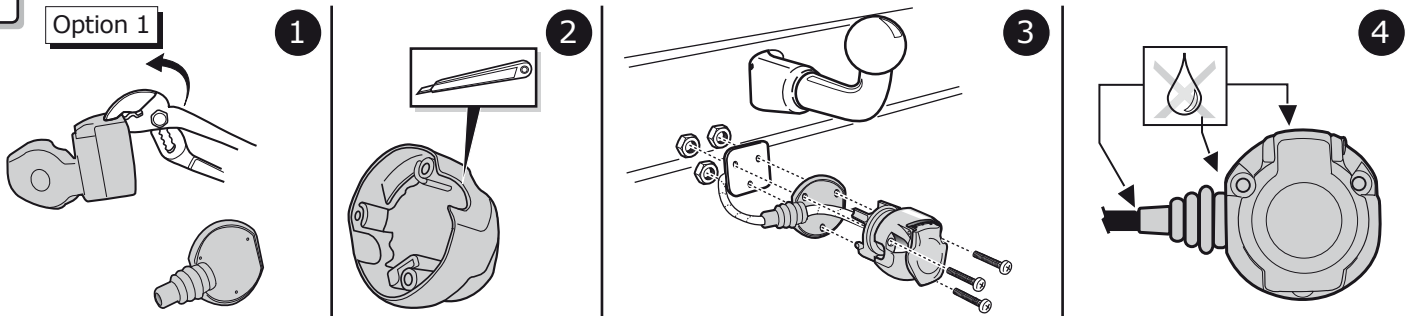
SOCKET CONNECTION



Pag. 11

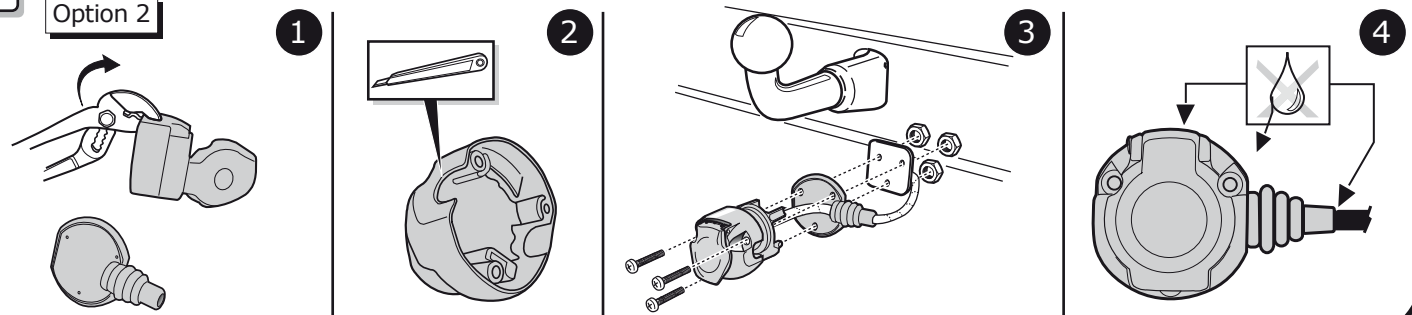
B

Option 1

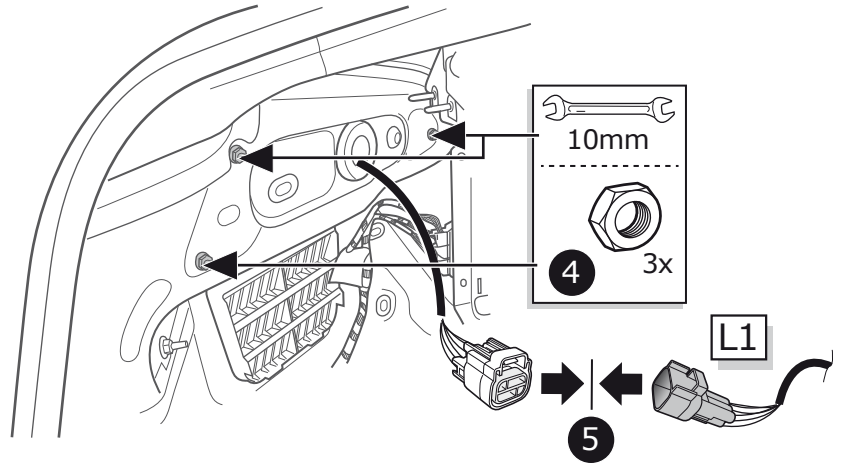
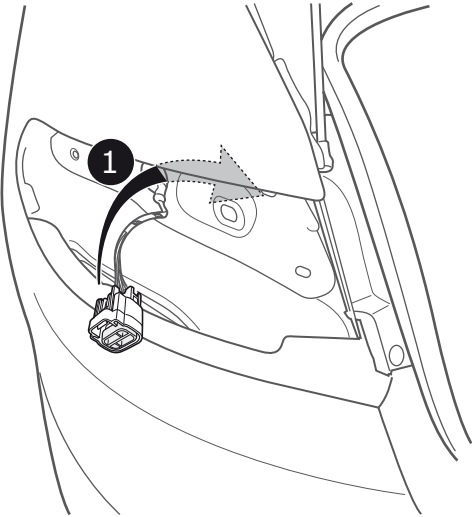
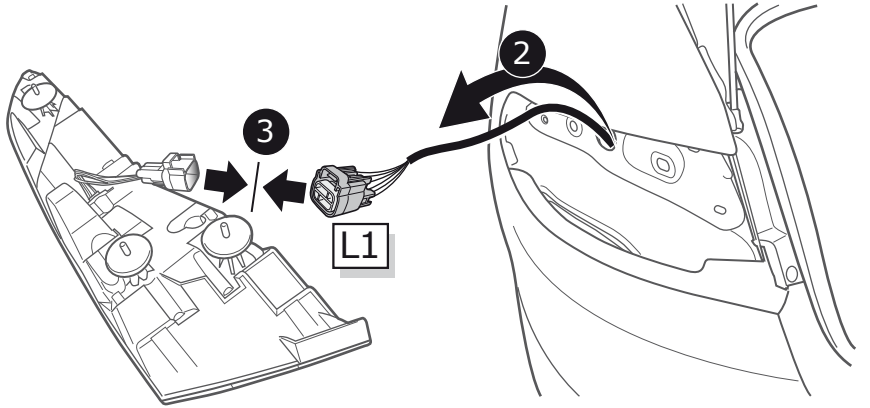
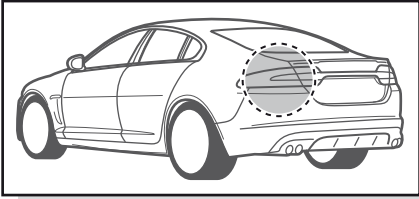


C

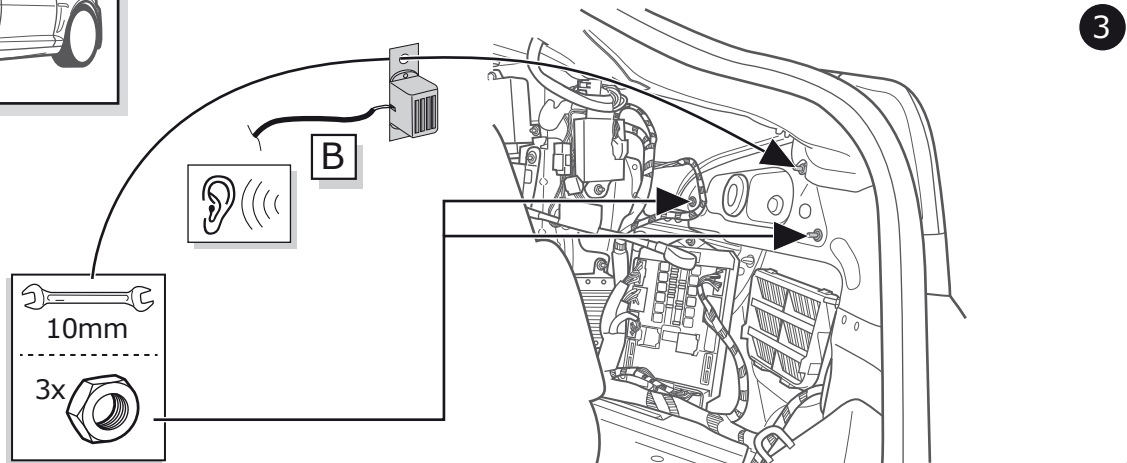
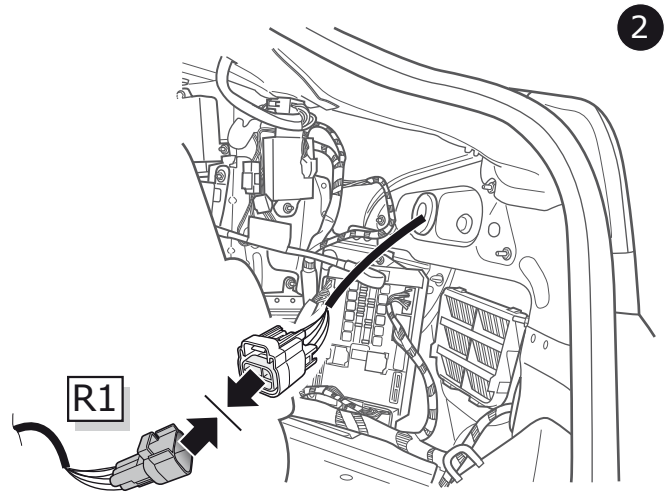
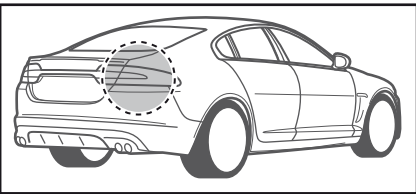
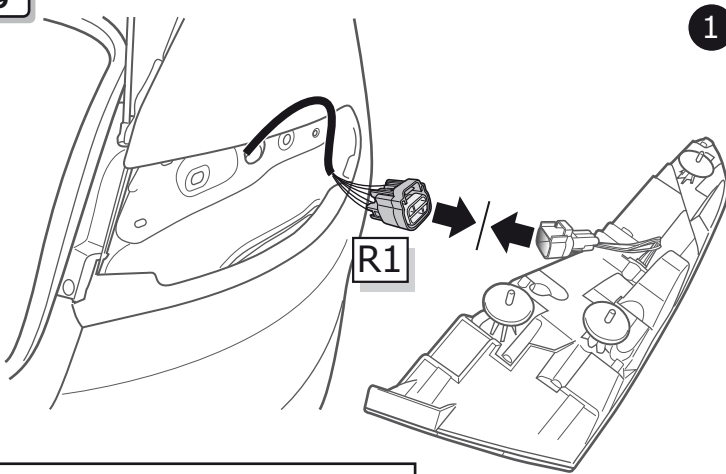
Option 2



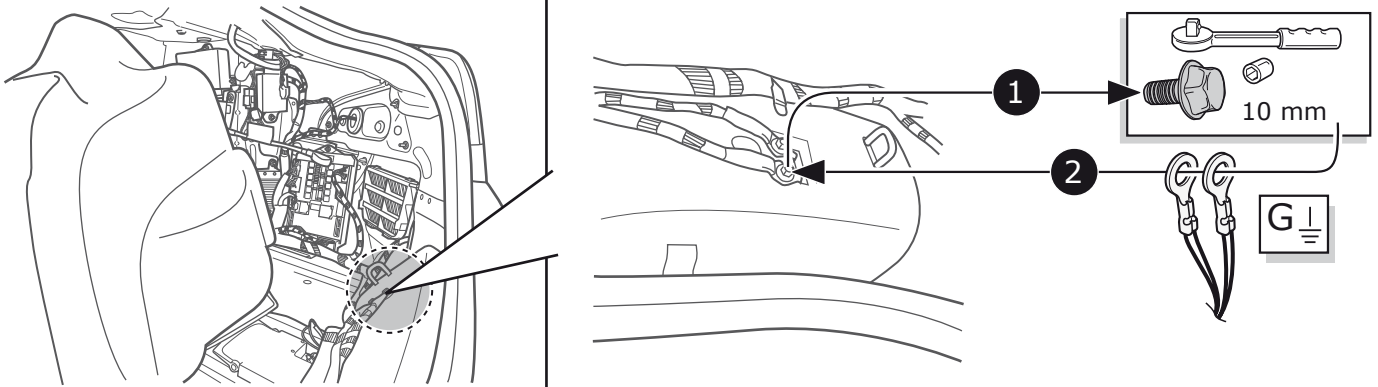
8



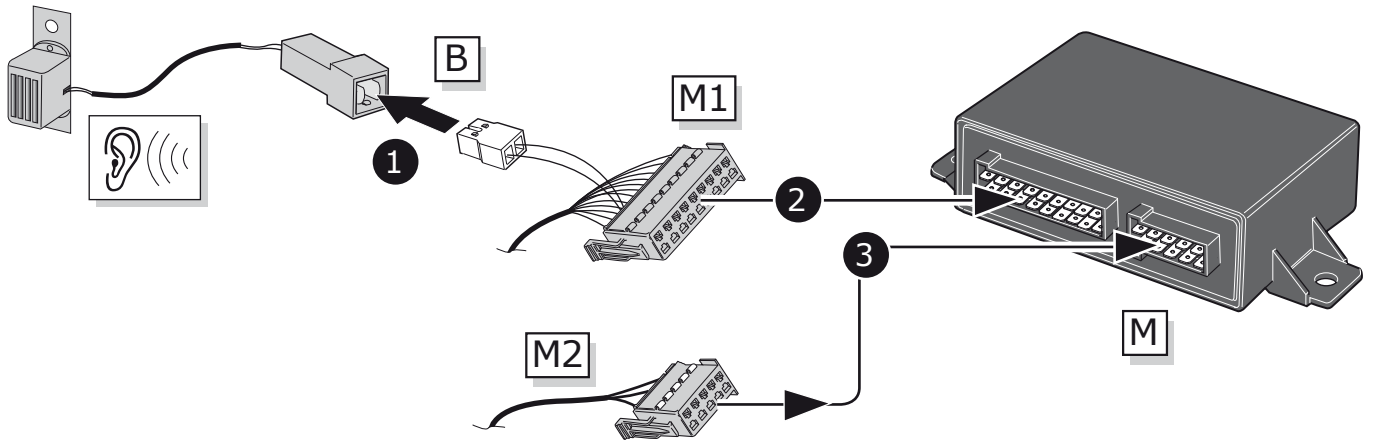
9



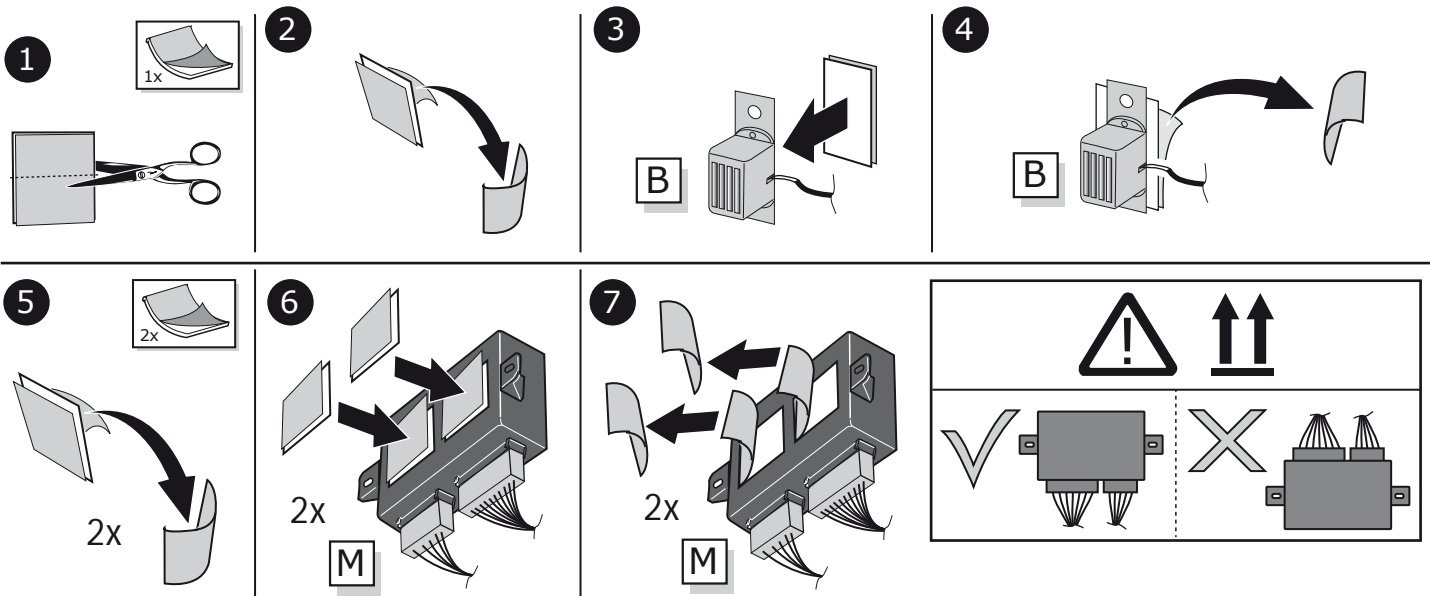
10



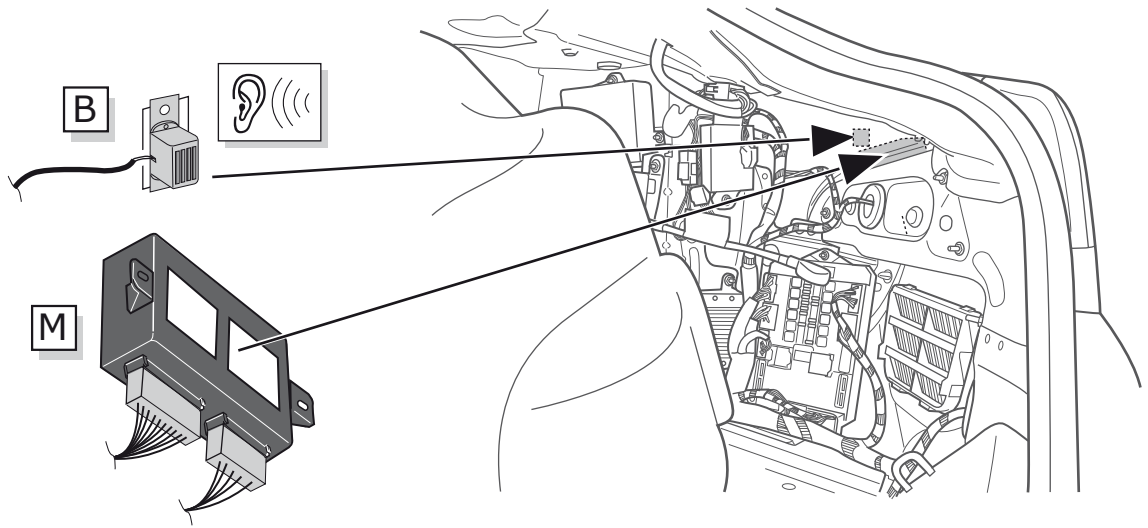
11



12

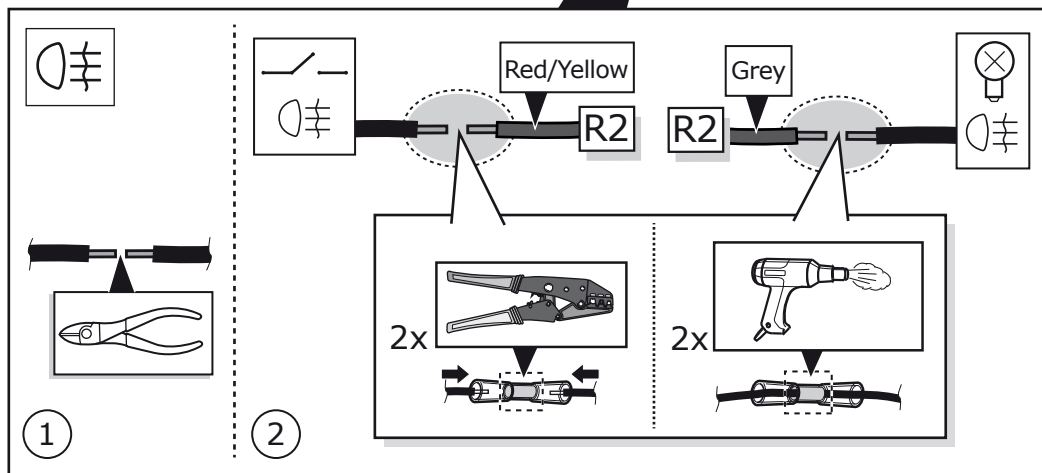
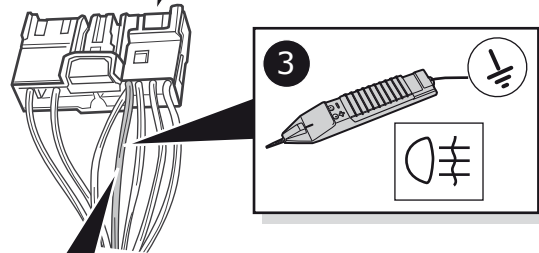
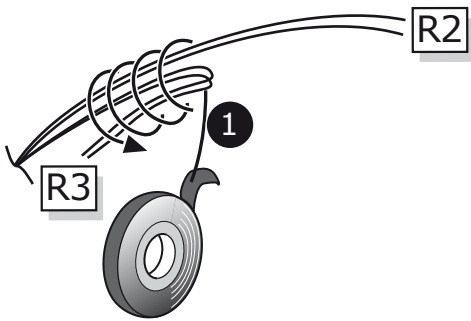
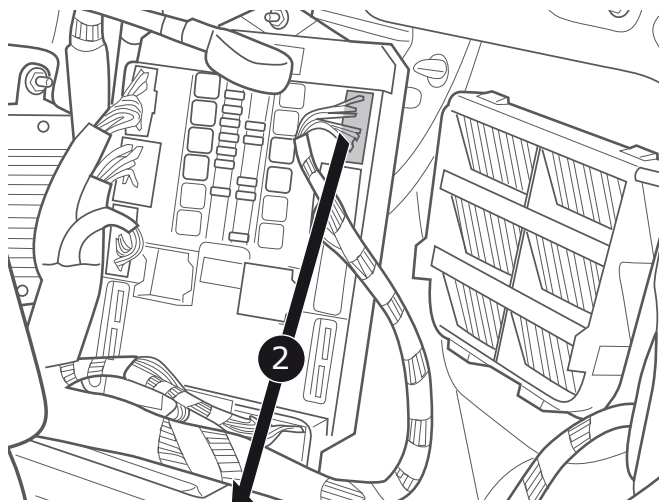
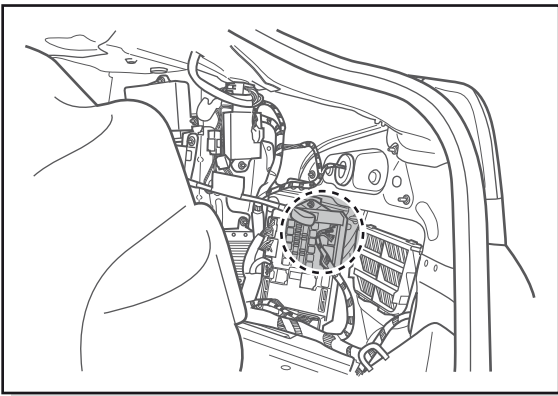


13

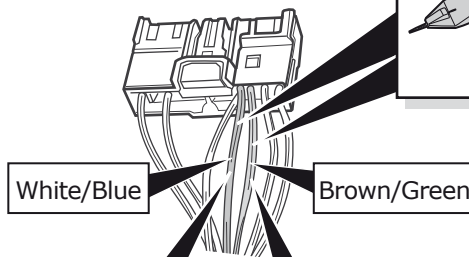
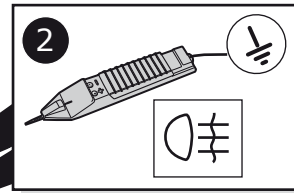
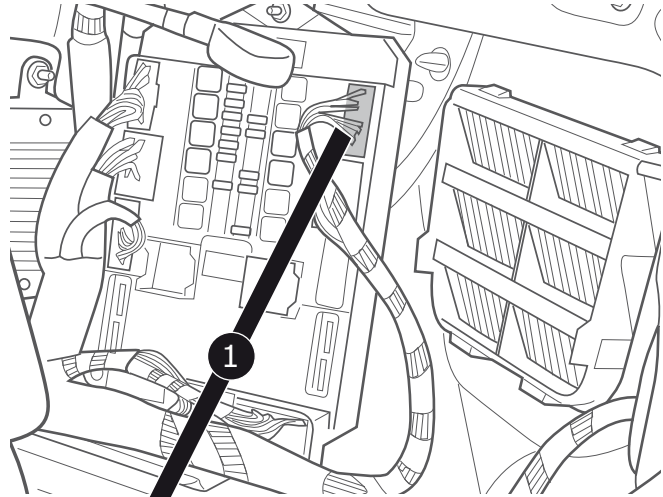
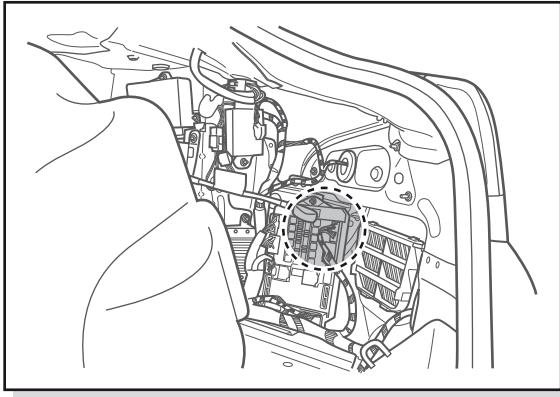


14

OPTION: 1x Fog Light



OPTION: 2x Fog Light



3

4

White/Blue

1

Red/Yellow

2x

2x

Grey

2

Brown/Green

1

Red/White

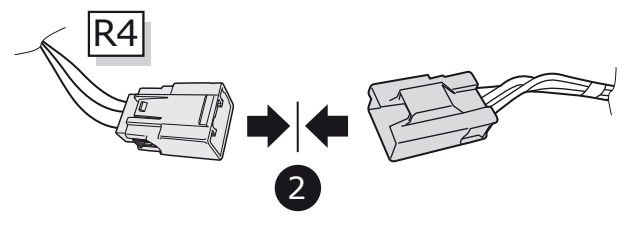
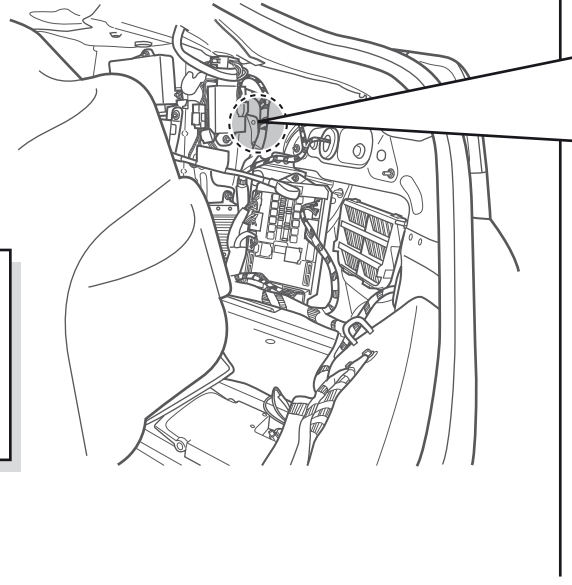
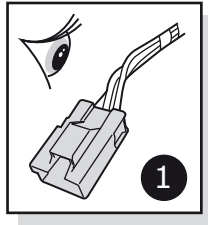
2x

2x

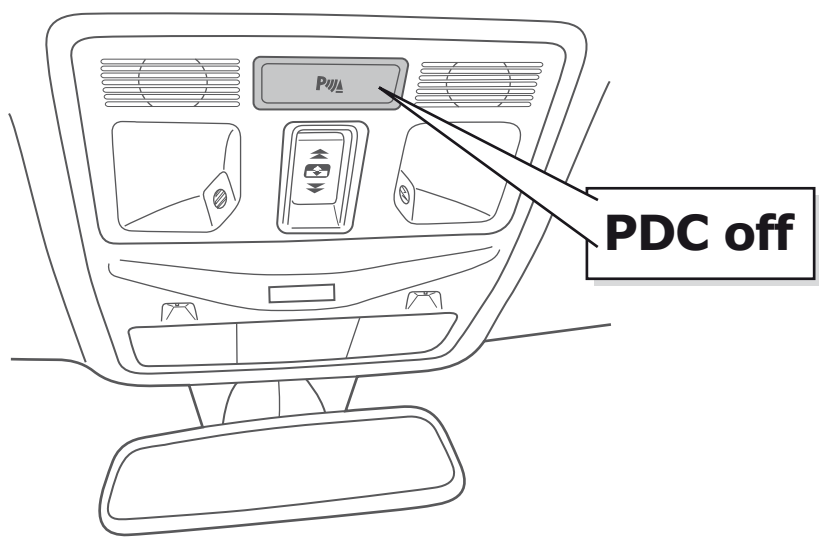
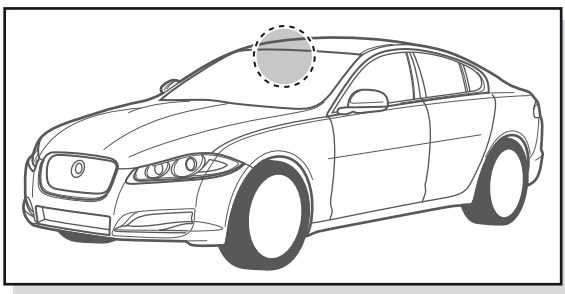
Grey/White

2

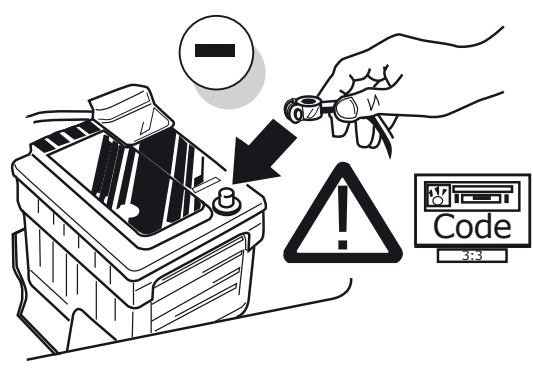
16



17



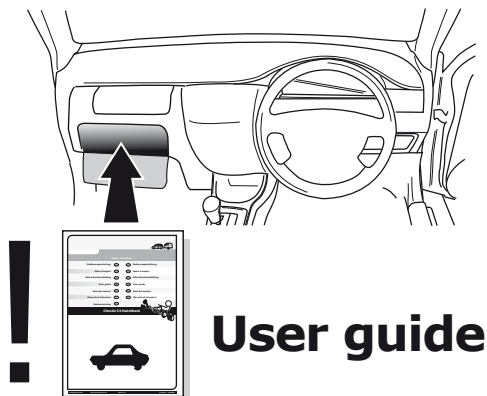
18



! TEST ALL THE CIRCUITS WITH A TEST DEVICE WITH THE CORRECT POWER LOAD FOR EACH FUNCTION. A TEST DEVICE WITH LED'S CANNOT BE USED FOR THIS PURPOSE.

INFO

REINSTALL TRIM.



INFO

SOCKET CONNECTION

| DIN/ISO 11446 | | | | | | | | | | | | | |
|---------------|--------|-------|-------|-------|--------|-----------------------------|--------|---------------|-----------------|-----------------------------|-------|----|-------|
| | 1/L | 2 | 3/31 | 4/R | 5/58-R | 6/54 | 7/58-L | 8 | 9 | 10 | 11 | 12 | 13 |
| Pmax | 21W | 2x21W | | 21W | 52W | 3x21W | 52W | 2x21W | 180W/15Amp | 180W/15Amp | | | |
| Colour | Yellow | Blue | White | Green | Brown | Red 1,00 mm ² | Black | Black/ Red | Brown/ White | Red 2,50 mm ² | White | - | White |