

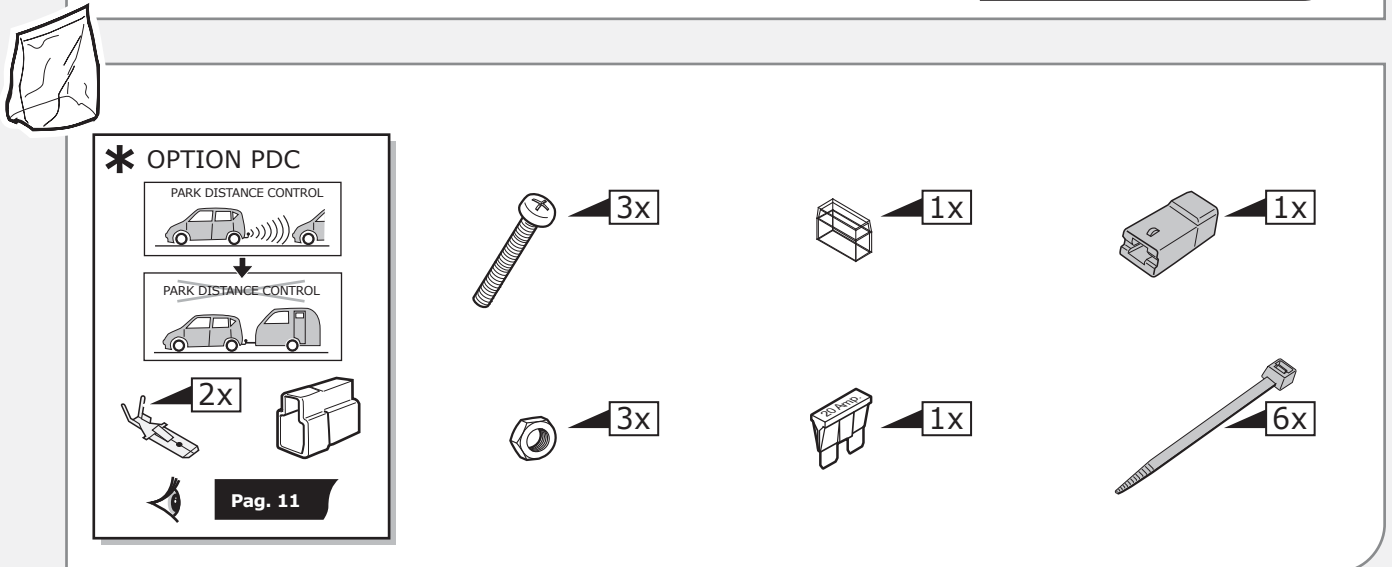
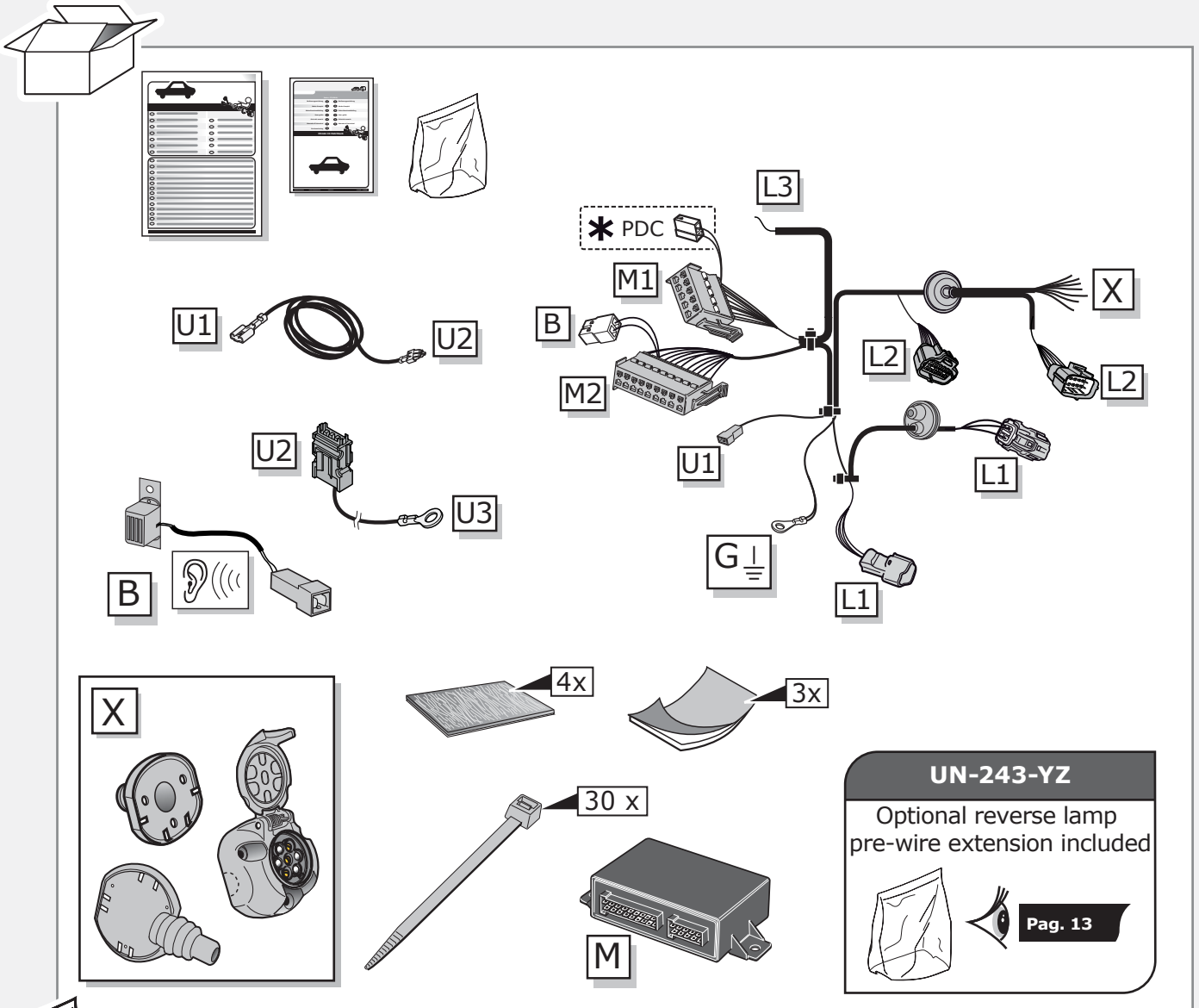
Kia Sportage 2010-

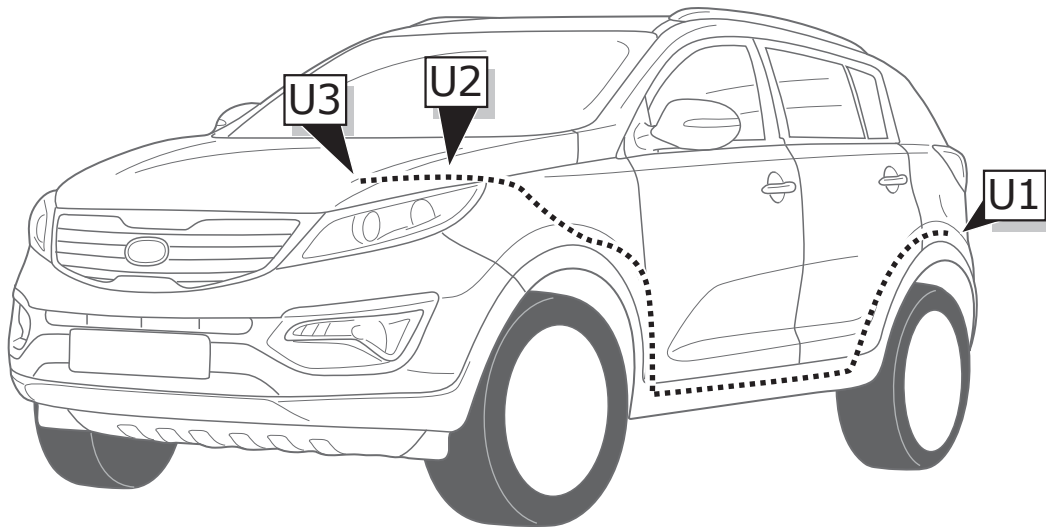
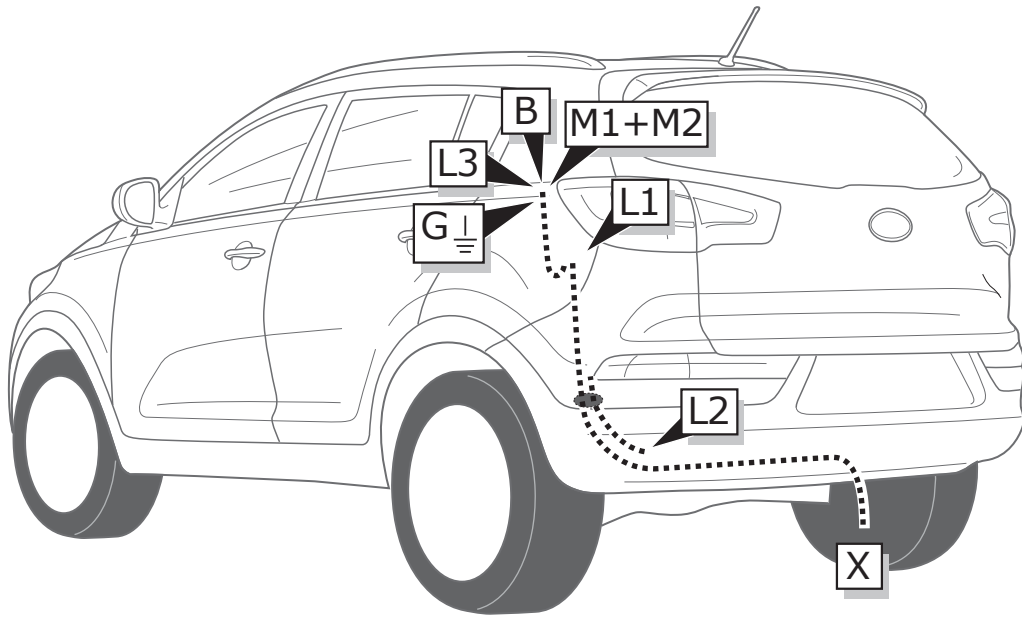
Partnr.: KI-066-BHU

- Fitting instructions electric wiring kit tow bar with 12-N socket up to DIN/ISO Norm 1724.
- We would expressly point out that assembly not carried out properly by a competent installer will result in cancellation of any right to damage compensation, in particular those arising by virtue of the product liability act.
- Contents of these kits and their fitting manuals are subject to alteration without notice, please ensure that these instructions are read and fully understood before commencing installation.
- Do not overload circuits; the maximum loads per connection are detailed in this manual.
- Attention! Before Installation, please read this manual carefully and inform your customer to consult the vehicle owners manual to check for any vehicle modifications required before towing.
- In the event of functional problems, troubleshooting must be limited to about 0.5 hours, contact the technical support:
ukts@ecs-electronics.com / 07440 202 052.

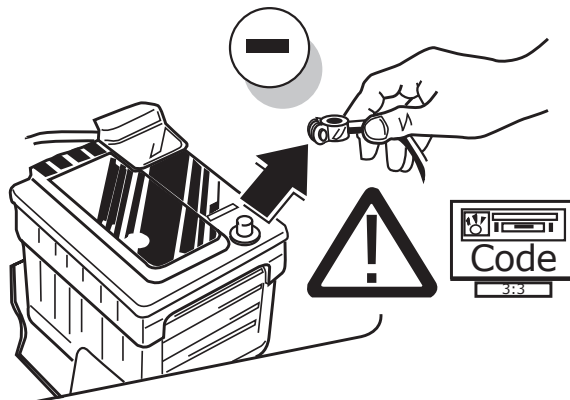


Part list

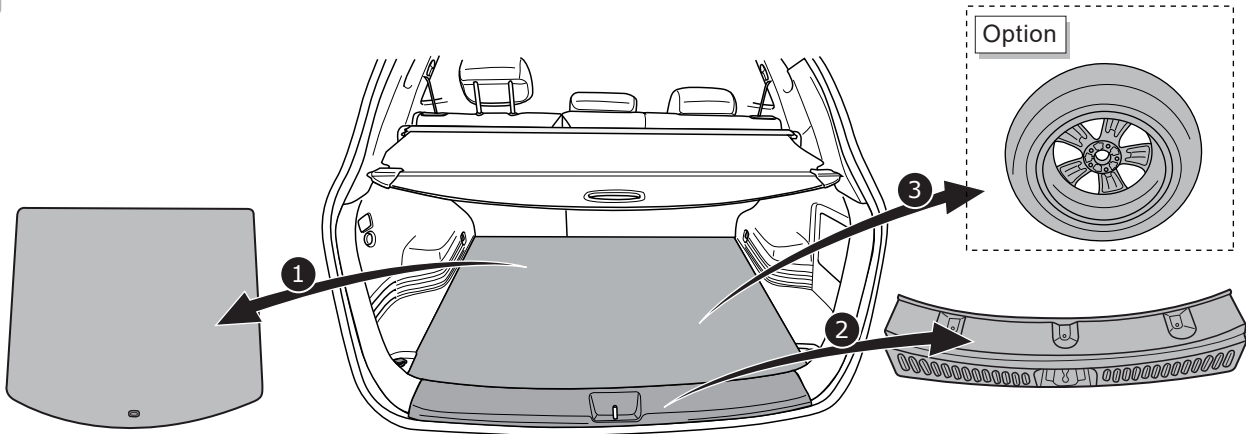




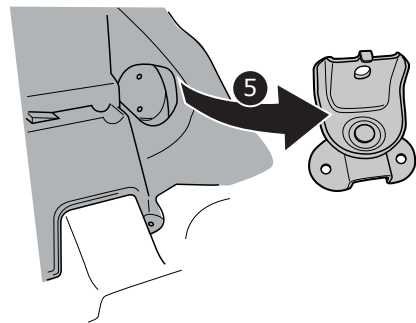
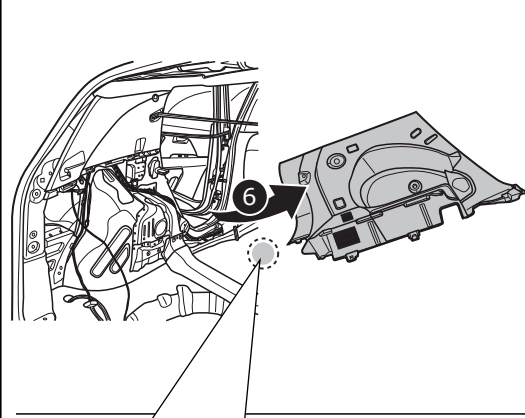
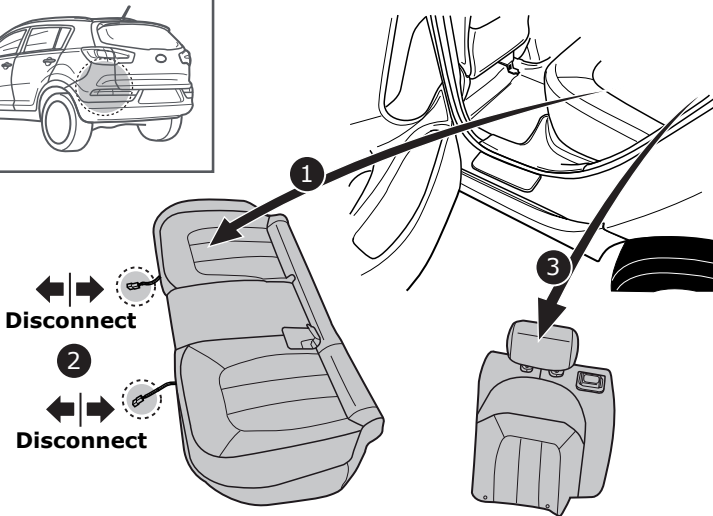
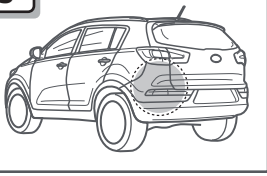
1



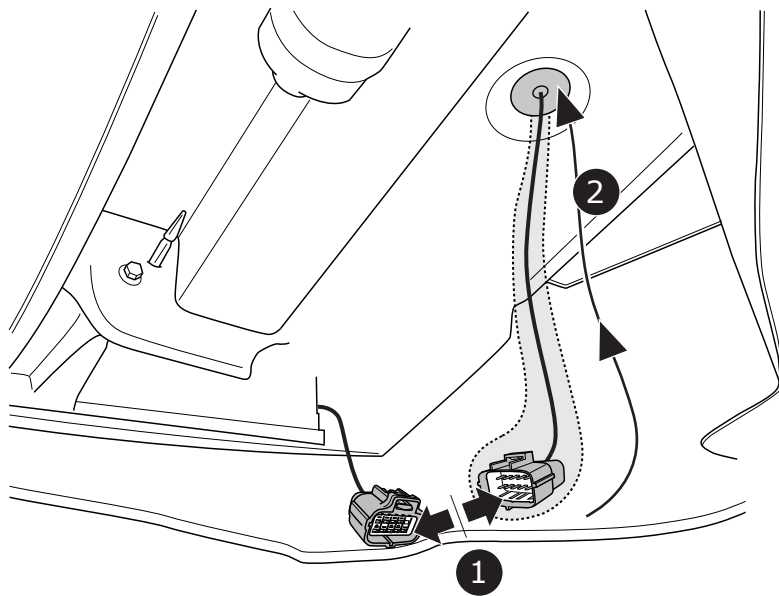
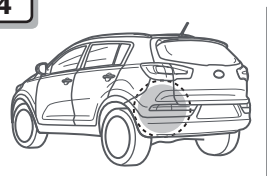
2



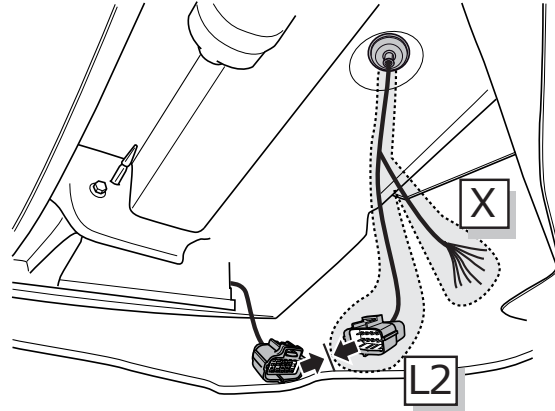
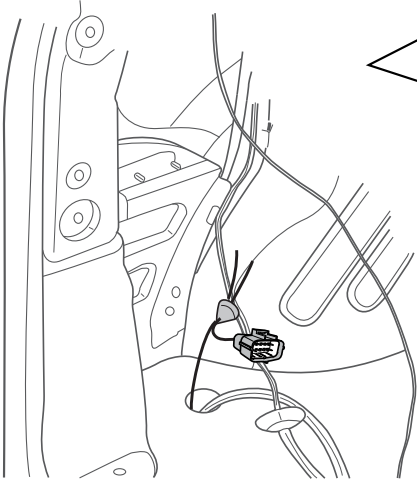
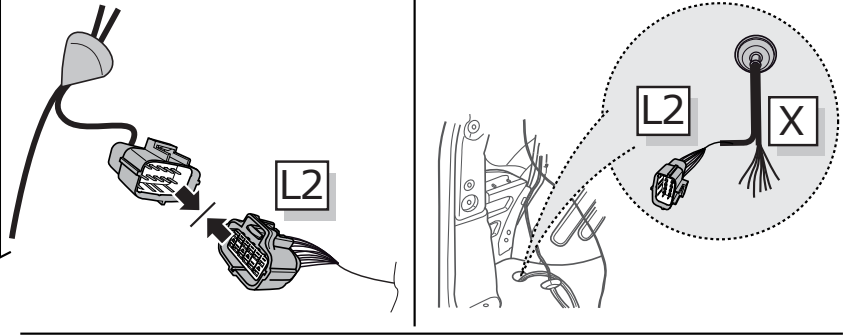
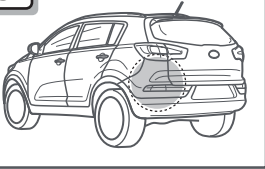
3



4

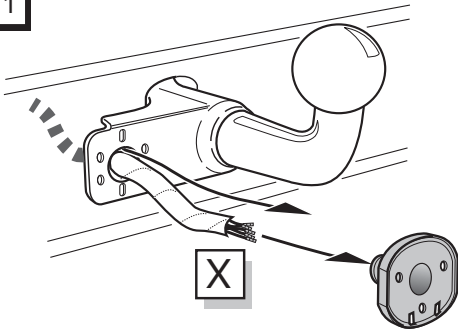


5

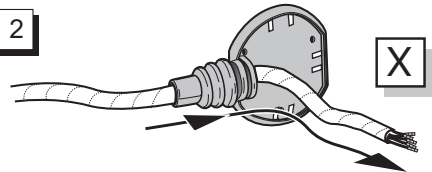


6

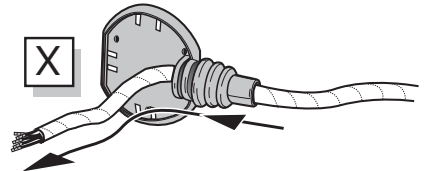
Option 1



Option 2



Option 3



7

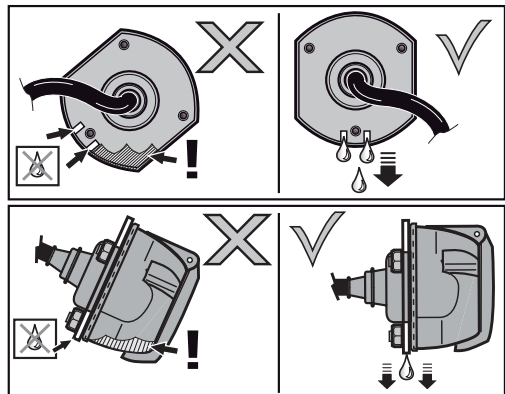
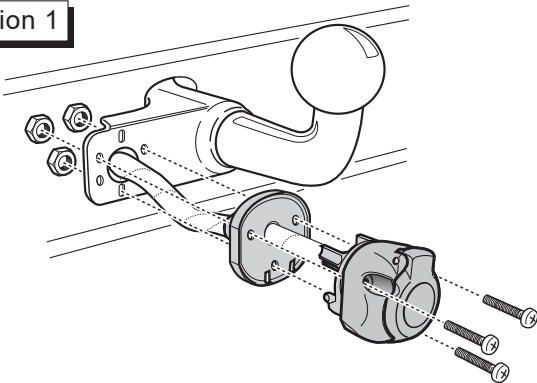
SOCKET CONNECTION

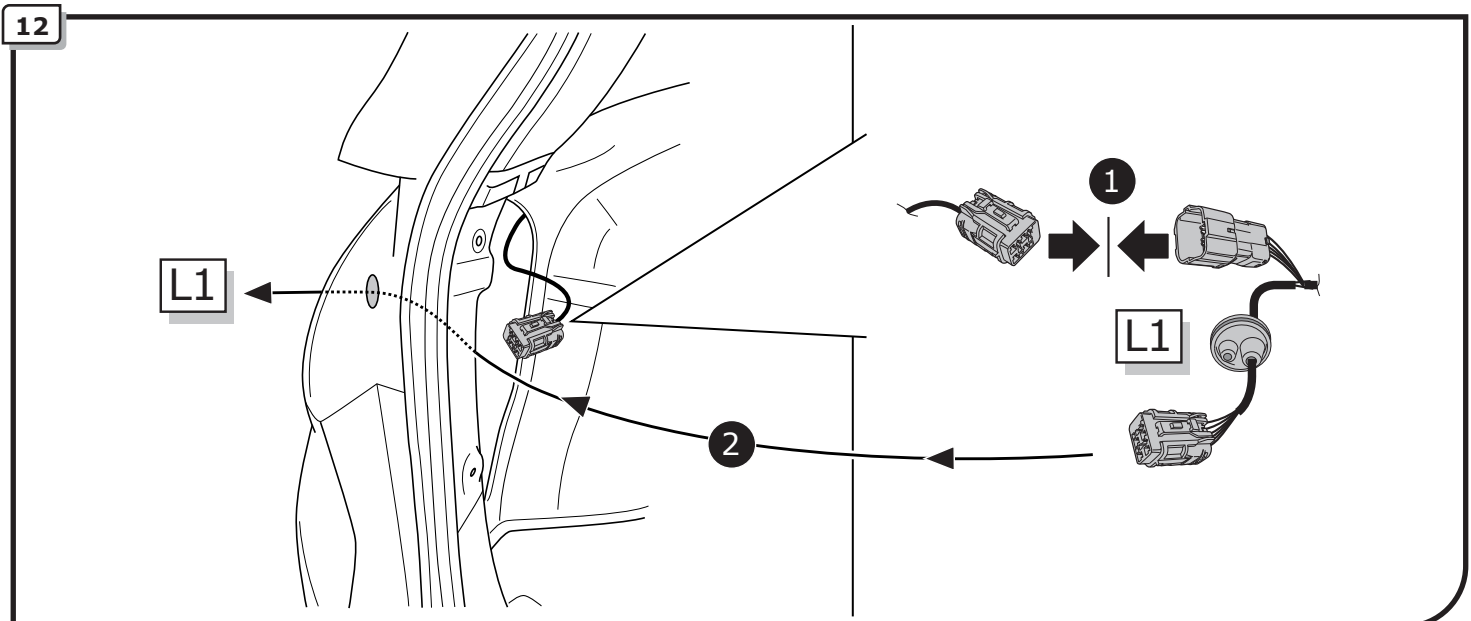
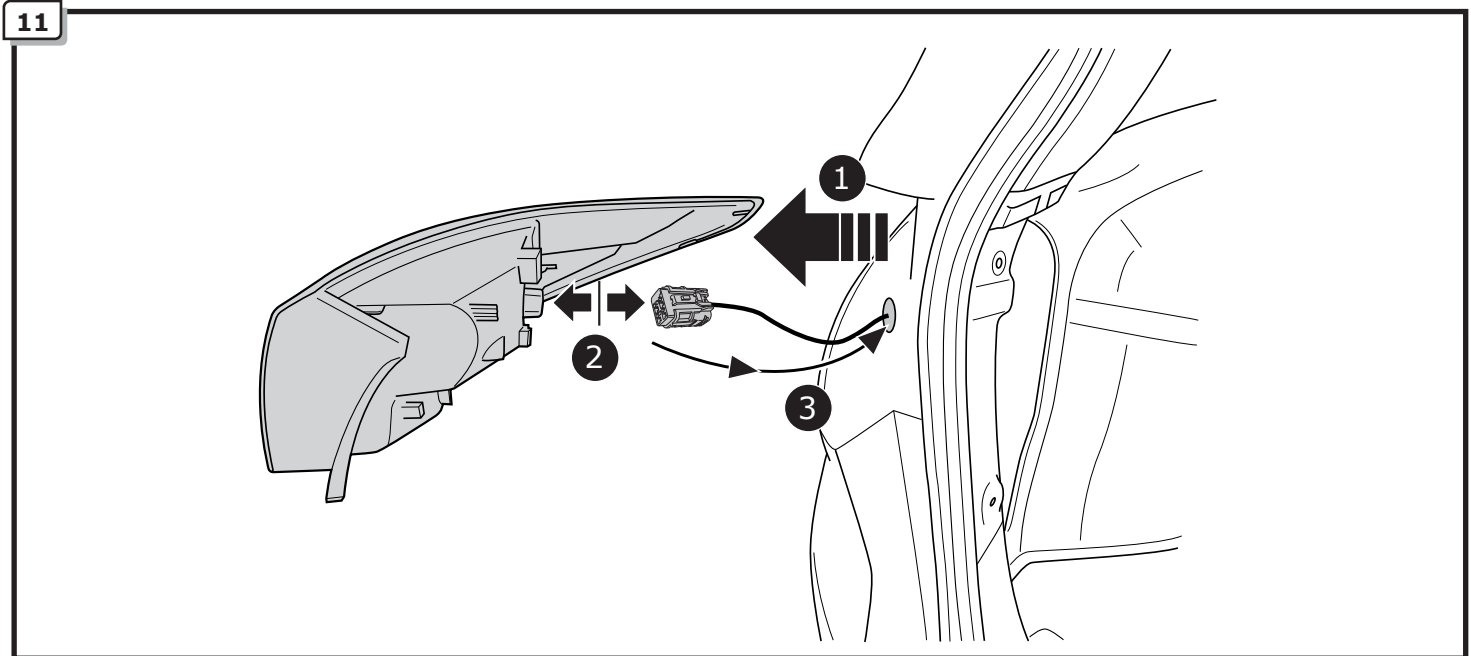
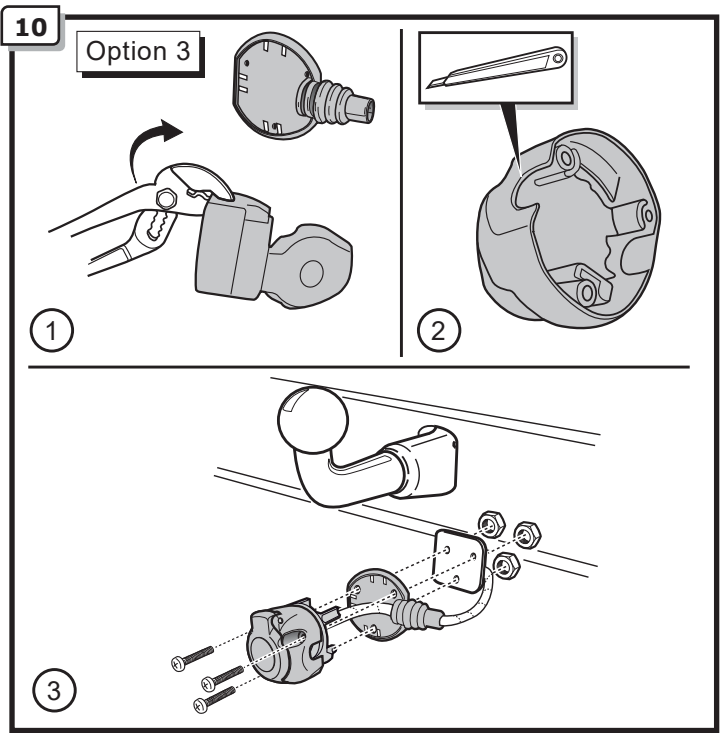
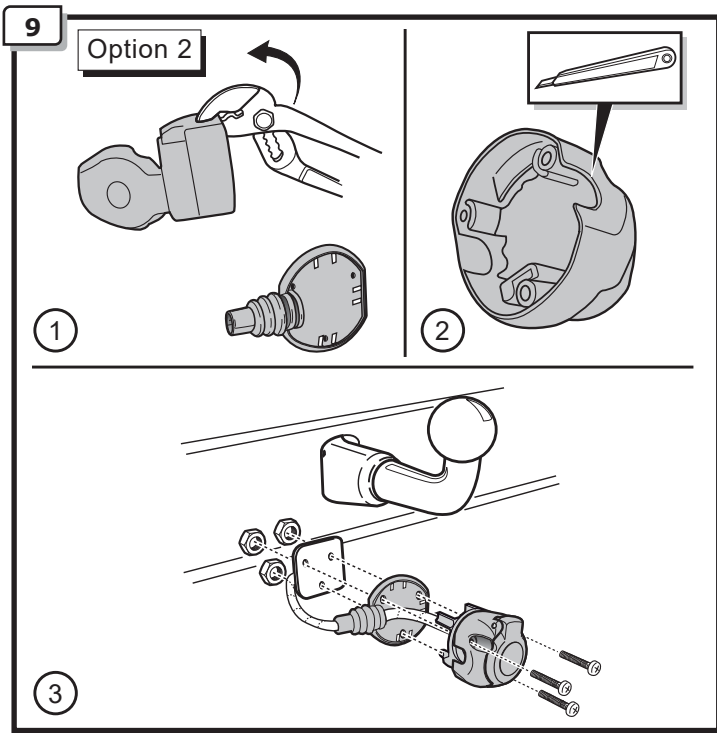


Pag. 12

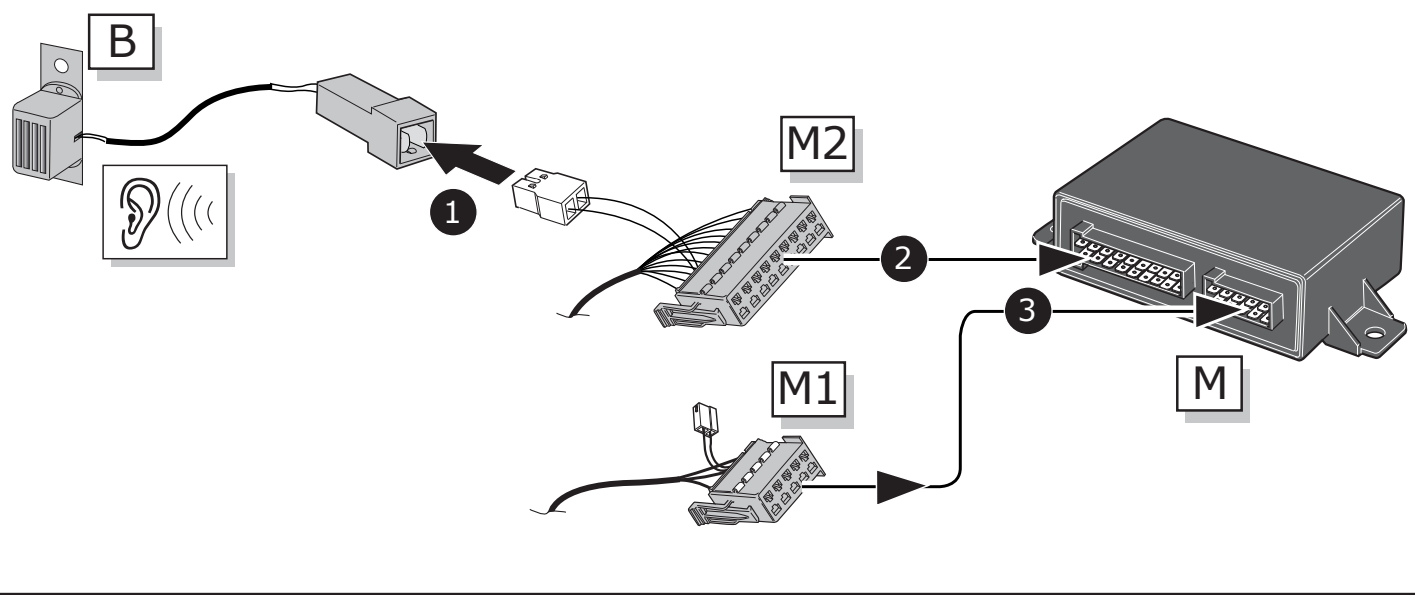
8

Option 1

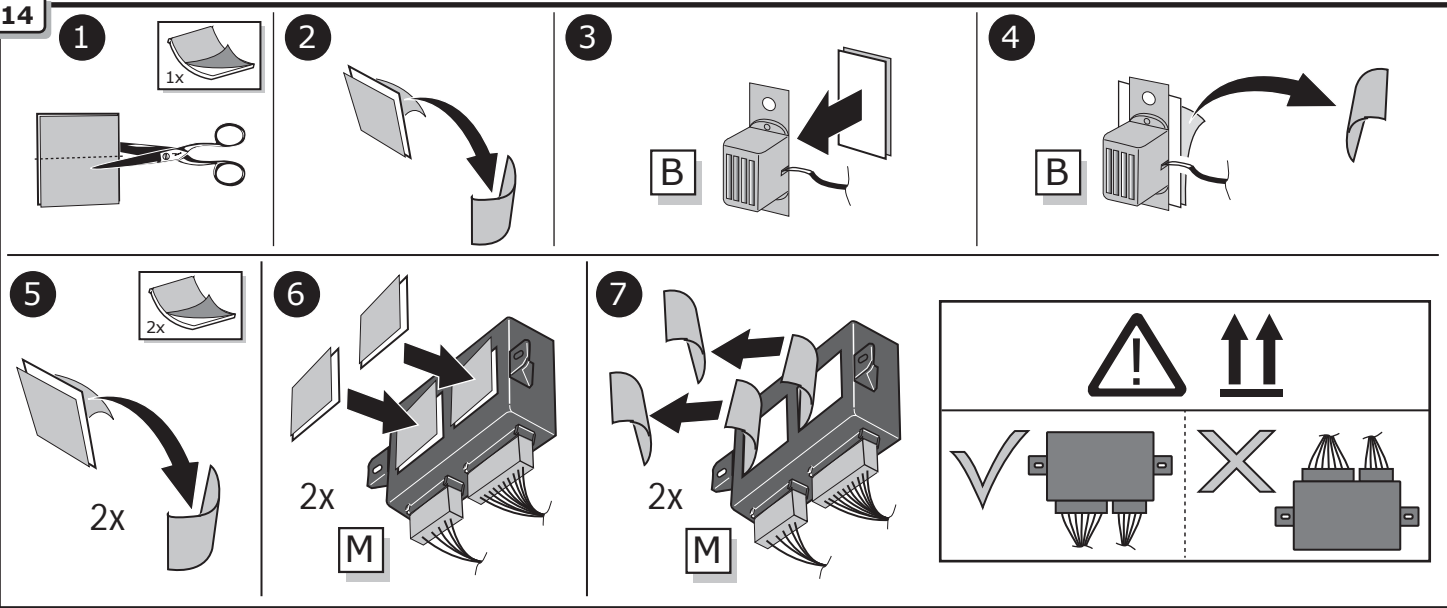




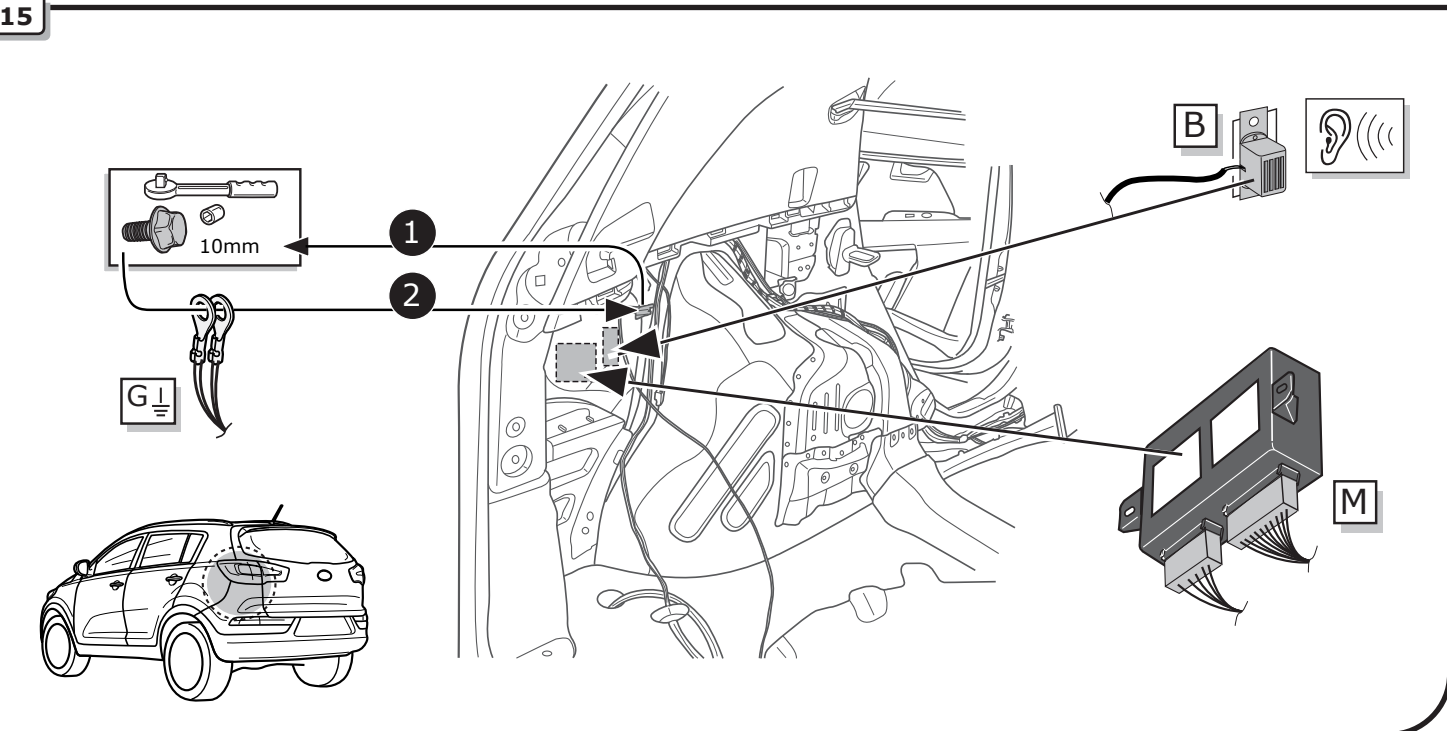
13



14

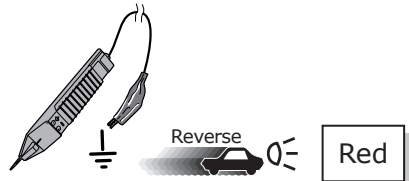


15

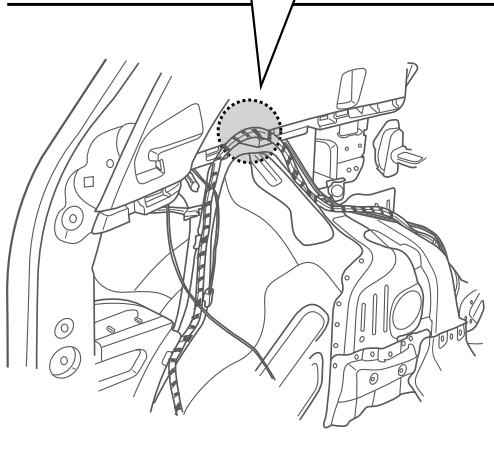
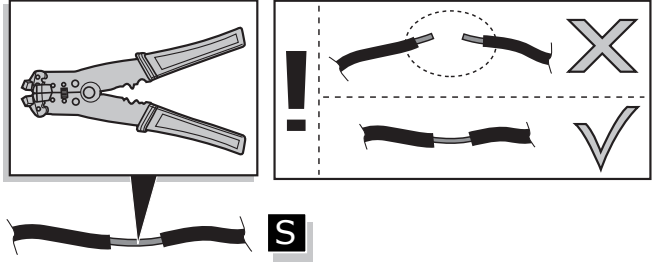


16

1



2

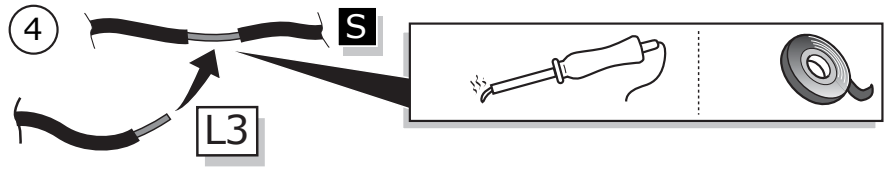


L3



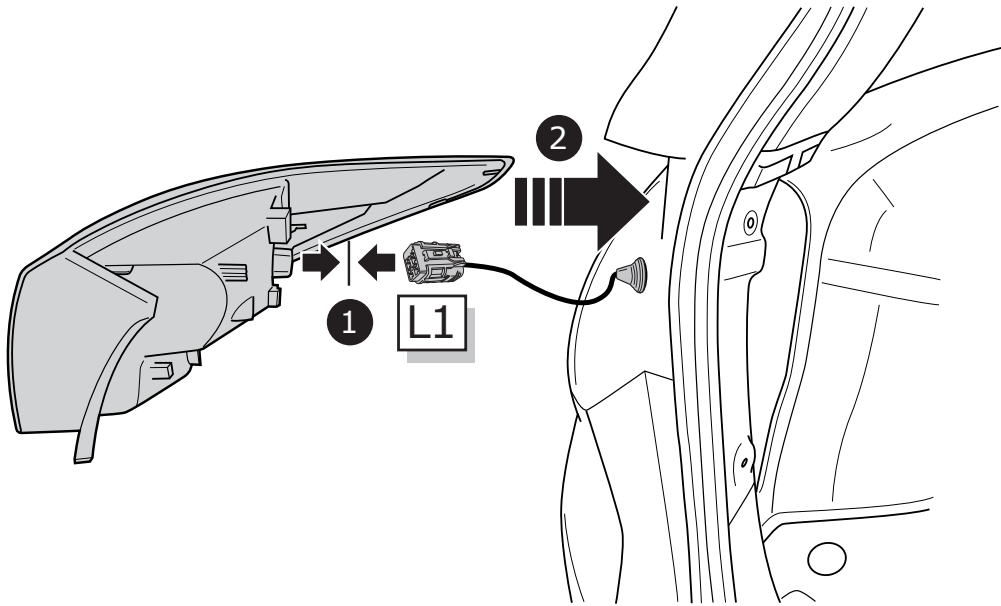
L3

4

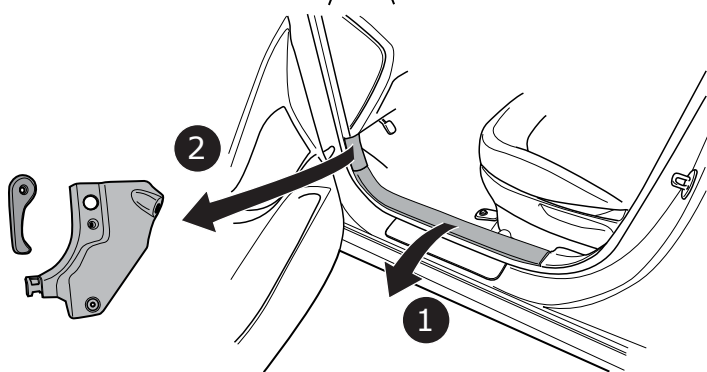
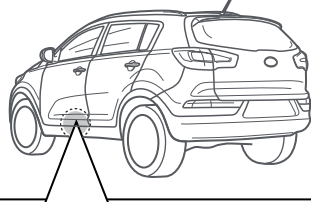


L3

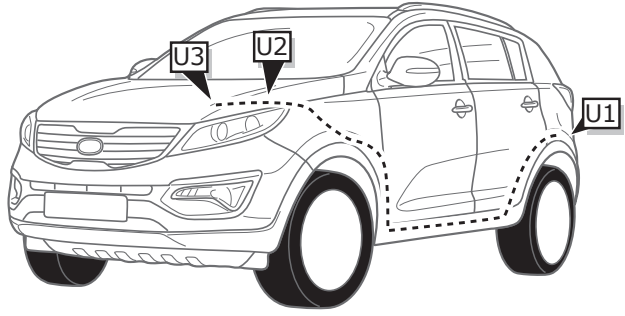
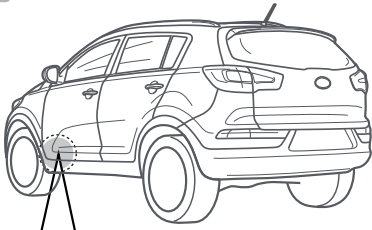
17



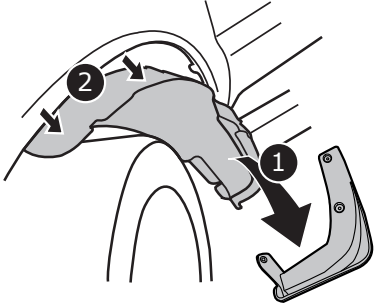
18



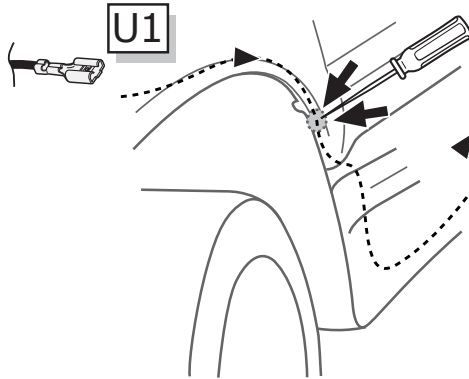
19



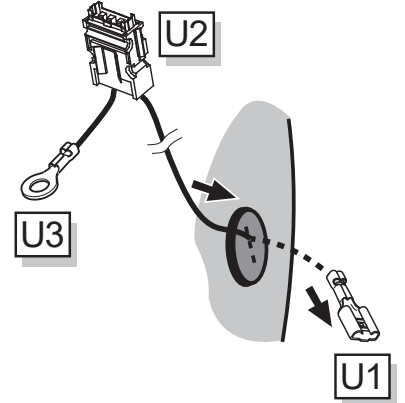
1



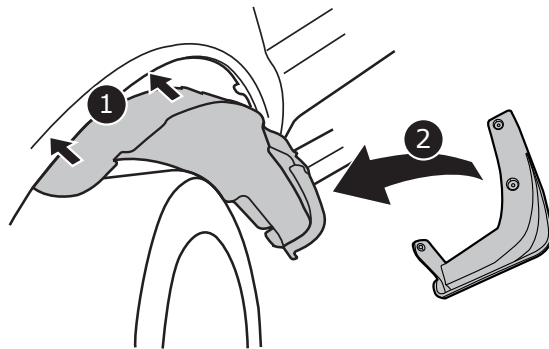
2



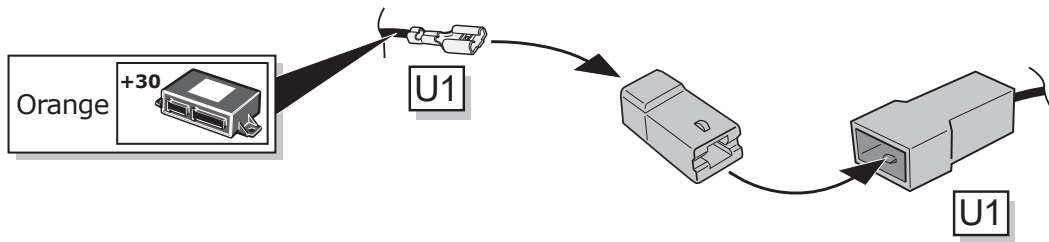
3

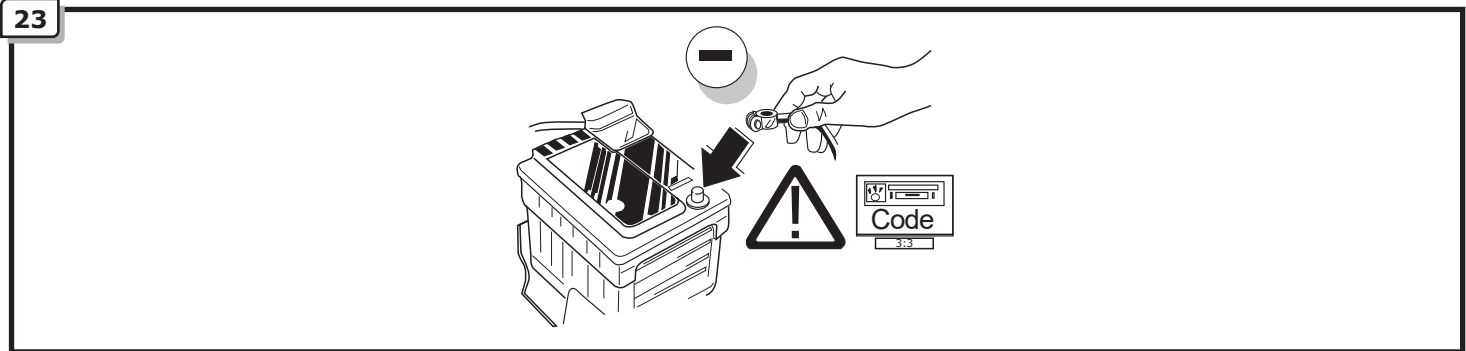
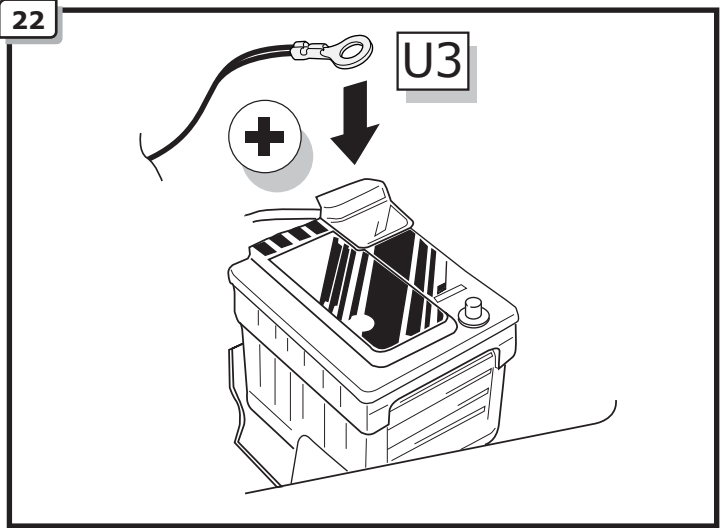
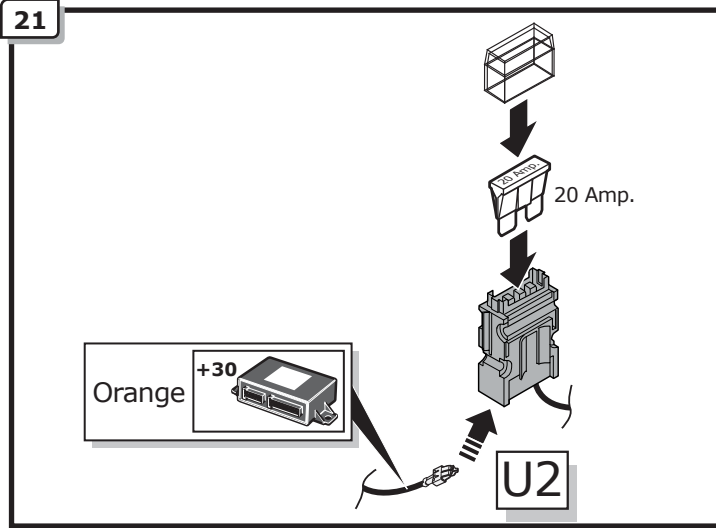


4



20



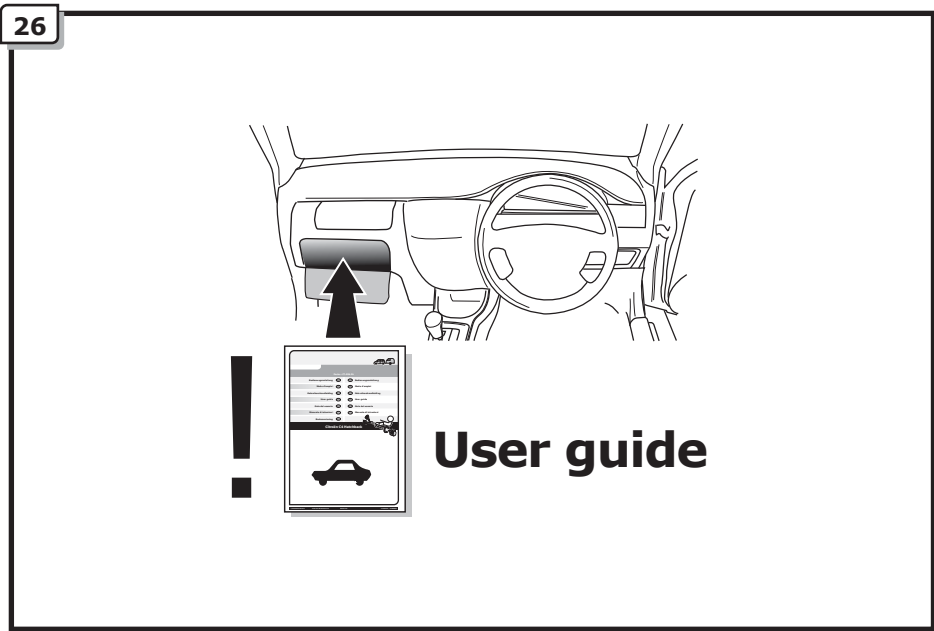


24

! TEST ALL THE CIRCUITS WITH A TEST DEVICE WITH THE CORRECT POWER LOAD FOR EACH FUNCTION. A TEST DEVICE WITH LED'S CANNOT BE USED FOR THIS PURPOSE.

25

REINSTALL TRIM.



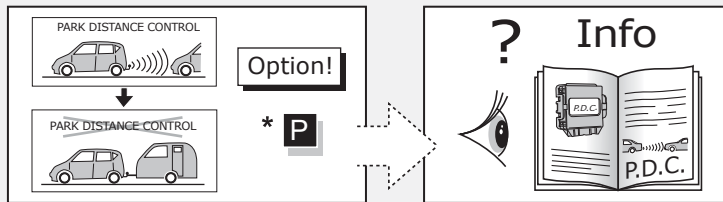
TECHNICAL SUPPORT

CALL 07440 202 052

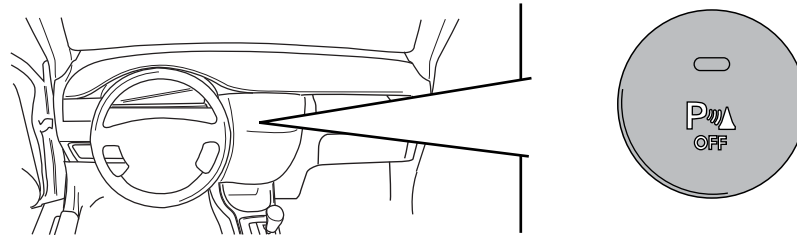
MONDAY TO FRIDAY
08.00 - 11.00 am
12.00 - 05.00 pm
ukts@ecs-electronics.com
www.ecs-electronicsuk.co.uk

ECS ELECTRONICS

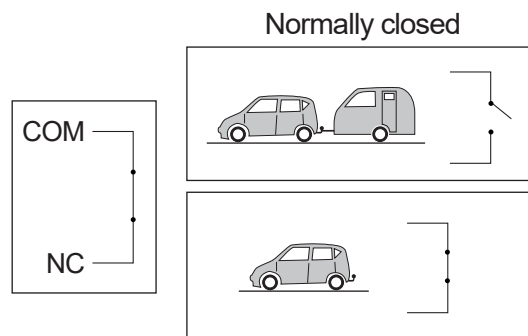
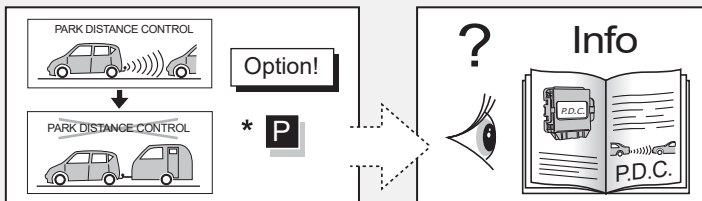
Option 1



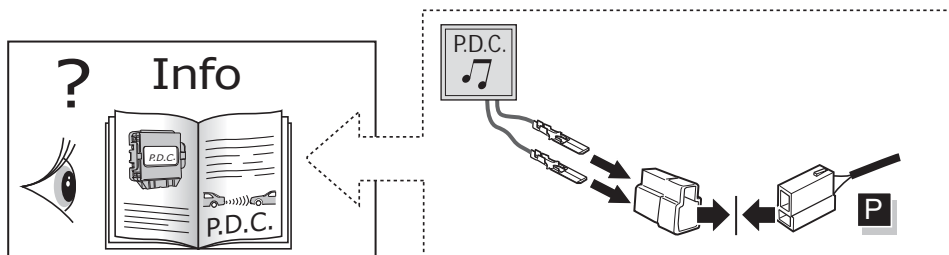
For OEM installed PDC systems



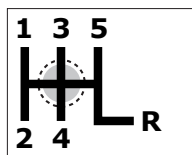
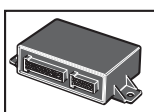
Option 2



For aftermarket installed PDC systems

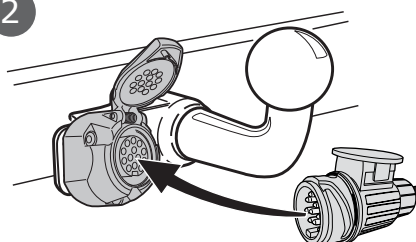


1

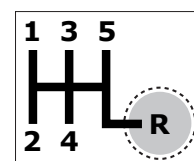


Neutral

2





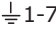





3



4

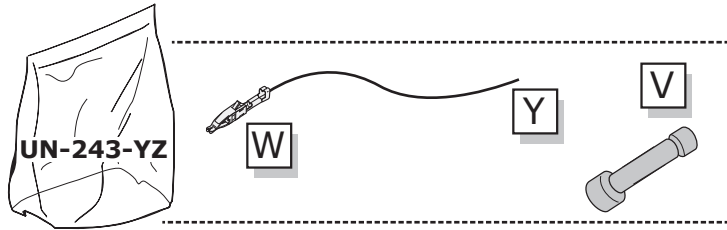
TEST

SOCKET CONNECTION

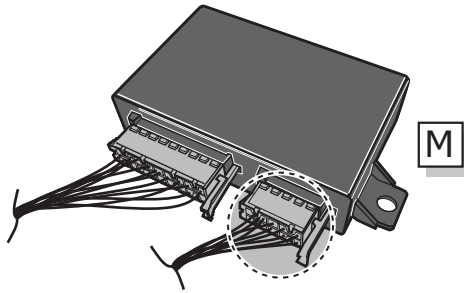
								
DIN/ISO 1724	1/L	2	3/31	4/R	5/58-R	6/54	7/58-L	8
Pmax	21W	2x21W		21W	52W	3x21W	52W	
Colour	Yellow	Blue	White	Green	Brown	Red	Black	Grey

UN-243-YZ Reverse lamp pre-wire extension

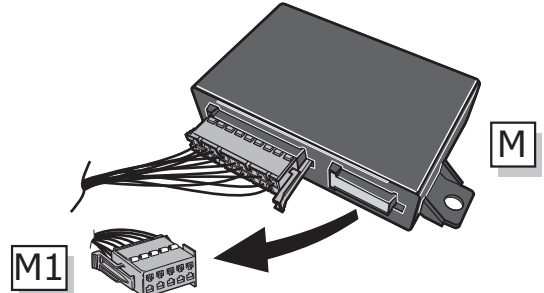
⚠ MAX = 21W



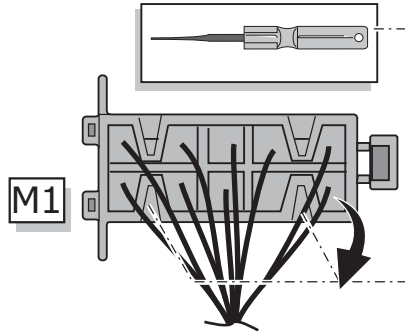
A



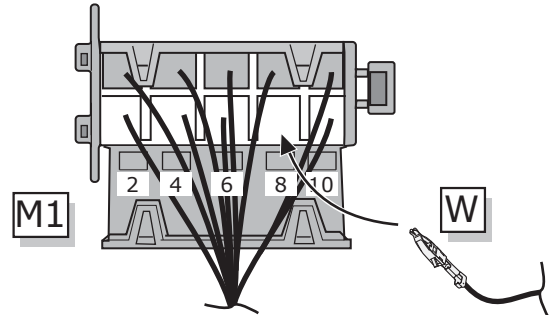
1



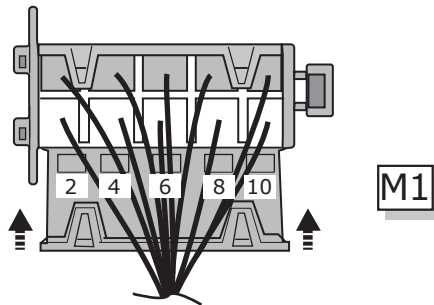
2



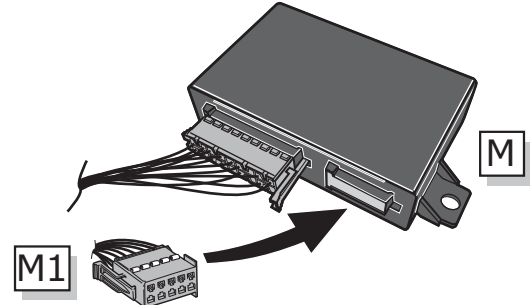
3



4



5



B

⚠ MAX = 21W

