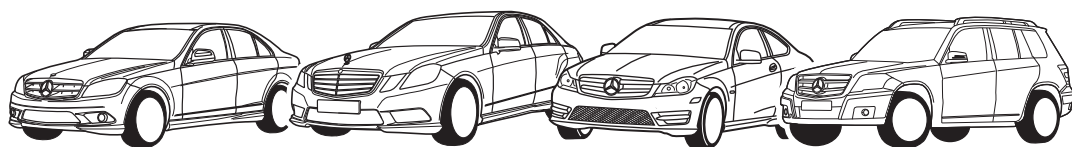




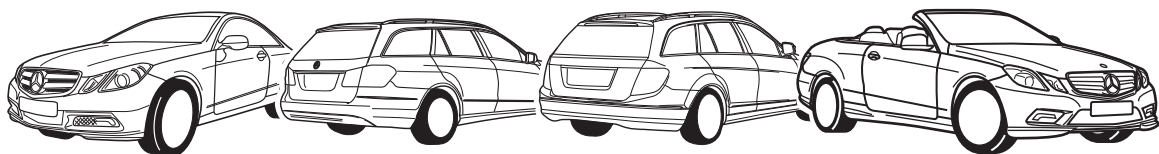
Mercedes Benz C Klasse

S204 (wagon) 09/2007-
W204 (sedan) 03/2007-
C204 (coupe) 04/2011-
X218 (shooting brake) 10/2012-



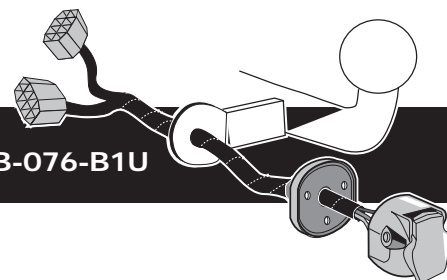
Mercedes Benz E Klasse

S212 (wagon) 11/2009-
W212 (sedan) 04/2009-
C207 (coupe) 05/2009-
A207 (cabrio) 03/2010-



Mercedes Benz GLK

X204 (SUV) 11/2008-

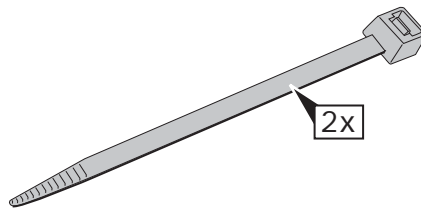
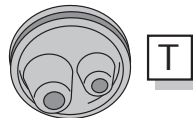
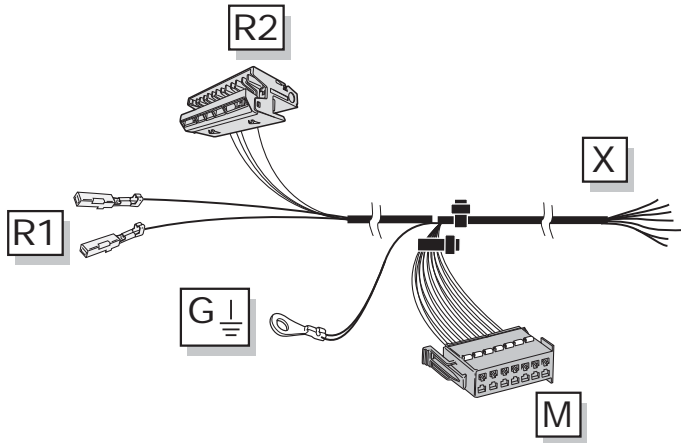
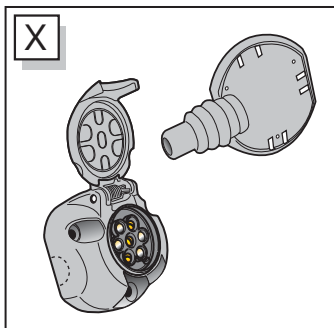
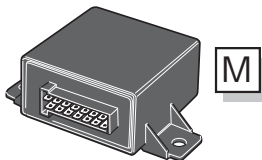
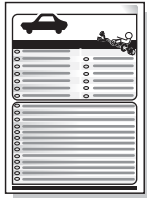
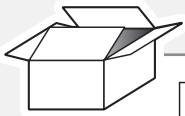


Partnr.: MB-076-B1U

- Fitting instructions electric wiring kit tow bar with 12-N socket up to DIN/ISO Norm 1724.
- We would expressly point out that assembly not carried out properly by a competent installer will result in cancellation of any right to damage compensation, in particular those arising by virtue of the product liability act.
- Contents of these kits and their fitting manuals are subject to alteration without notice, please ensure that these instructions are read and fully understood before commencing installation.
- Do not overload circuits; the maximum loads per connection are detailed in this manual.
- Attention! Before Installation, please read this manual carefully and inform your customer to consult the vehicle owners manual to check for any vehicle modifications required before towing.
- In the event of functional problems, troubleshooting must be limited to about 0.5 hours, contact the technical support:
t.skinner@ecs-electronics.com / 07440 202 052.

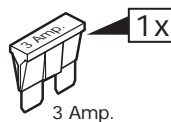
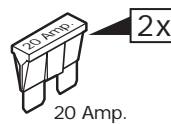
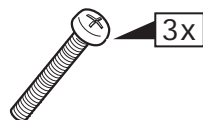


Part list

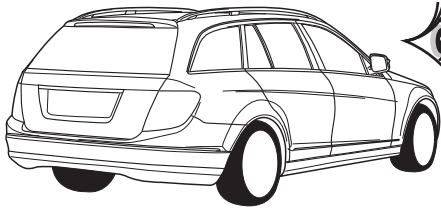


UN-243-YZ
 Optional reverse lamp
 pre-wire extension included

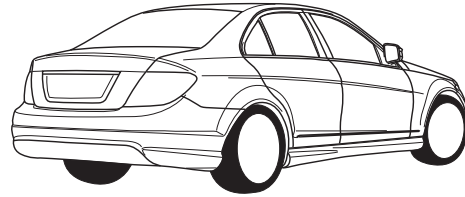
Pag. 18



INFO



Pag. 5



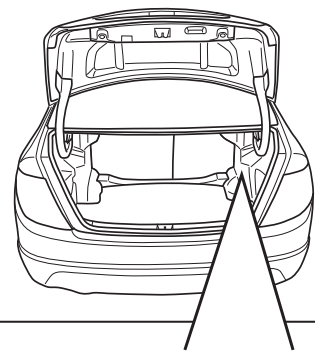
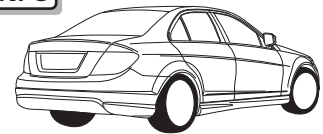
Chassis Number:
F 0106397 > 31.05.2007
R 000150 > 28.06.2007
A 027946 > 31.05.2007



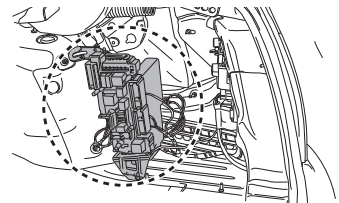
Potential Change
Of SAM Module

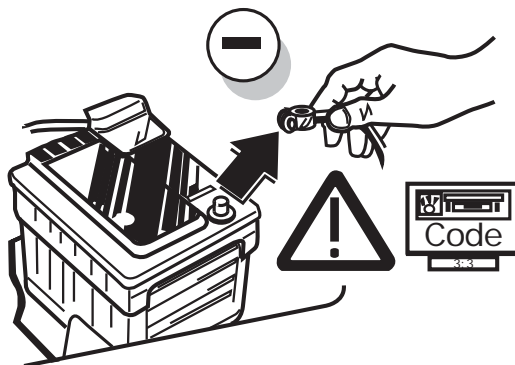
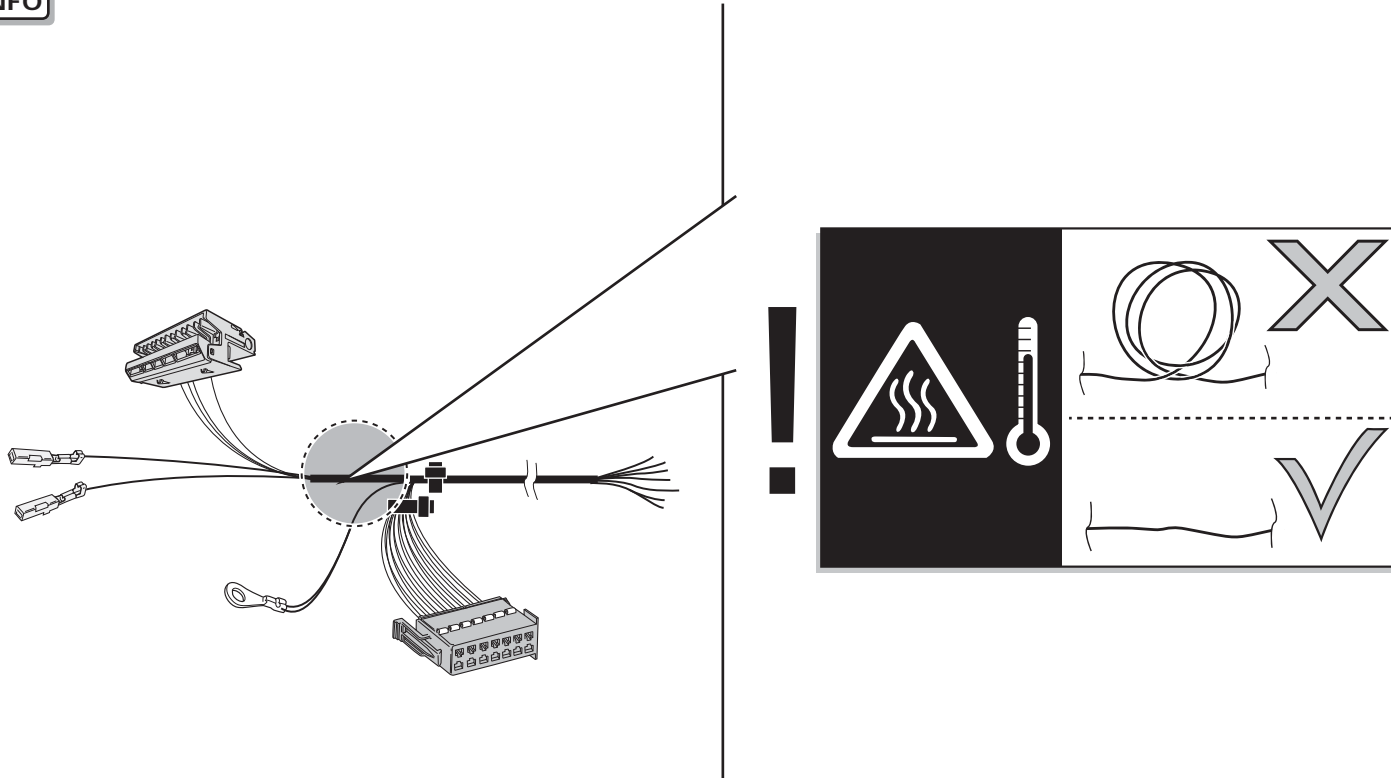
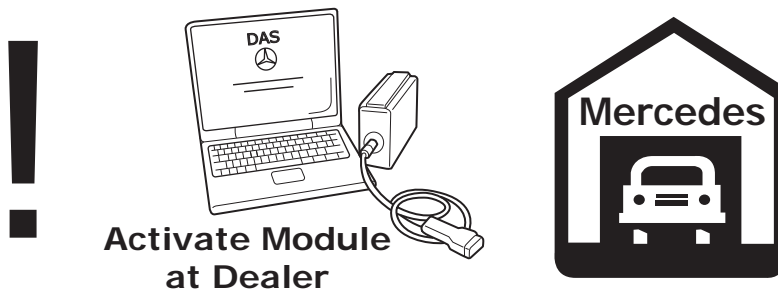


INFO



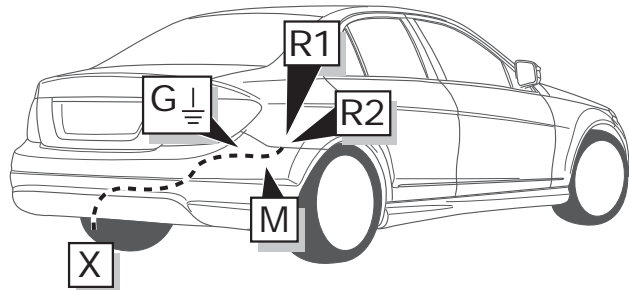
SAM Module





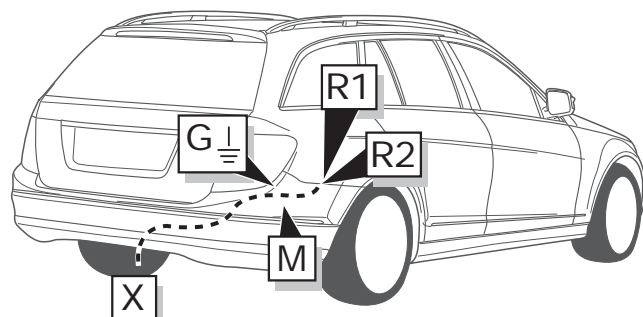
C KLASSE LIMOUSINE & COUPÉ

ROUTING



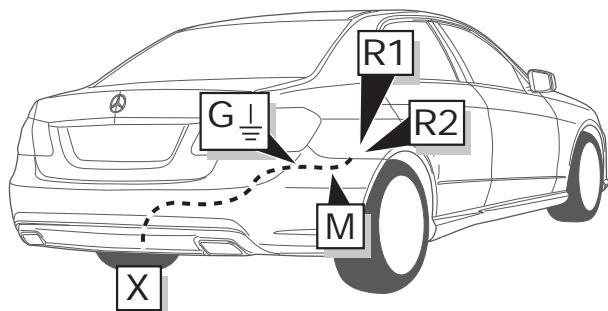
C KLASSE ESTATE / CLS SHOOTING BRAKE

ROUTING



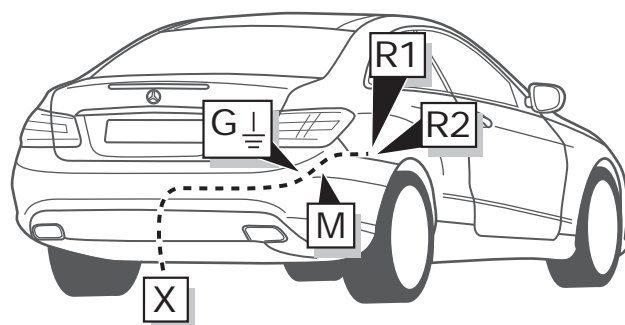
E KLASSE LIMOUSINE

ROUTING



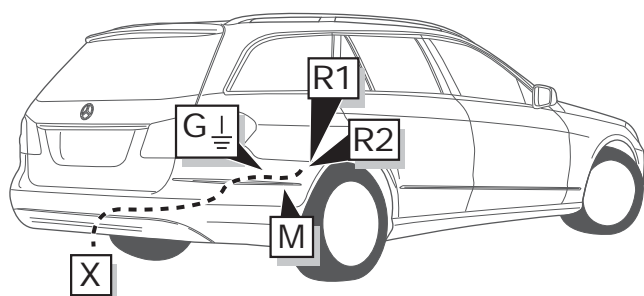
E KLASSE COUPÉ & CABRIO

ROUTING



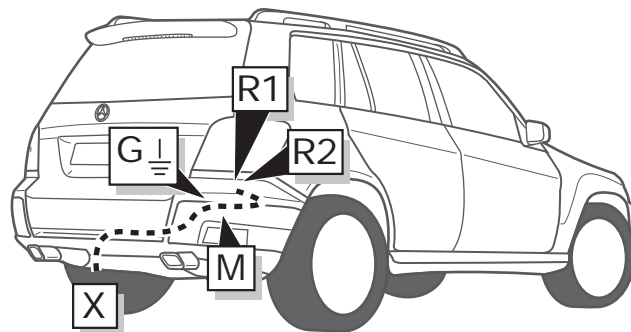
E KLASSE ESTATE

ROUTING



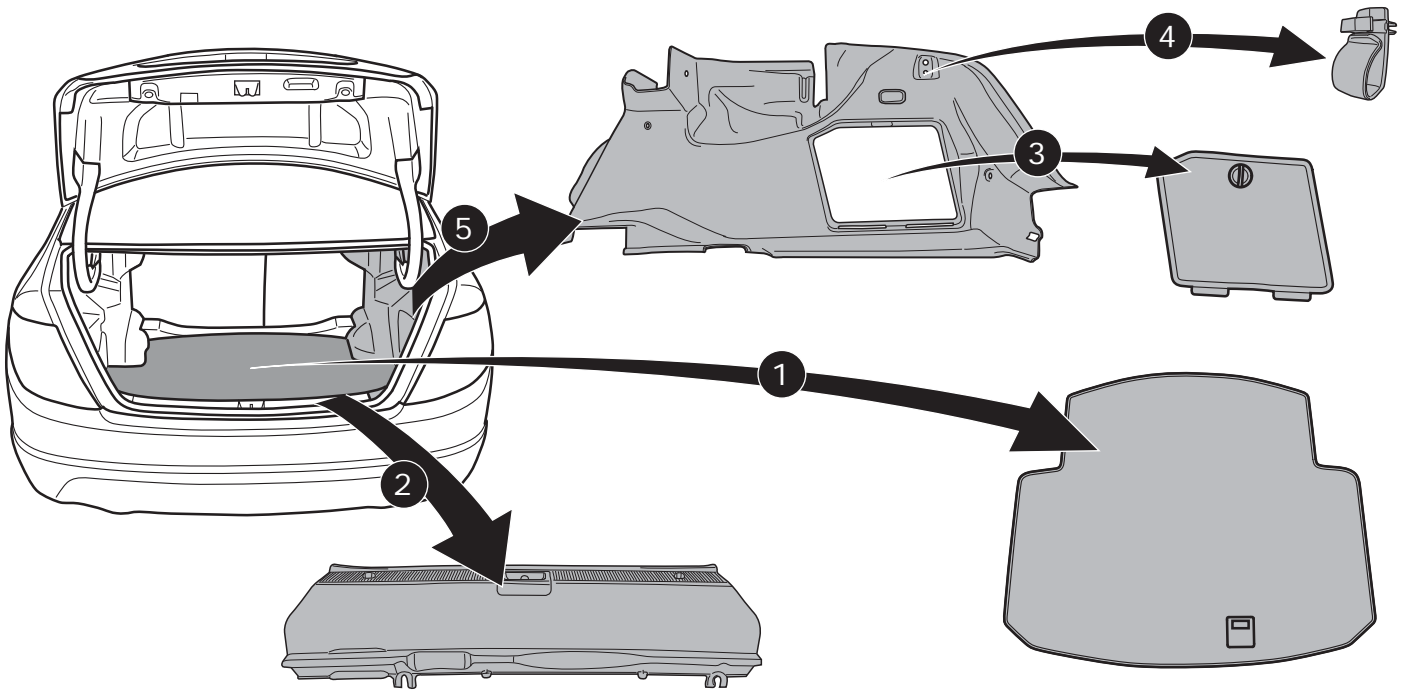
GLK

ROUTING



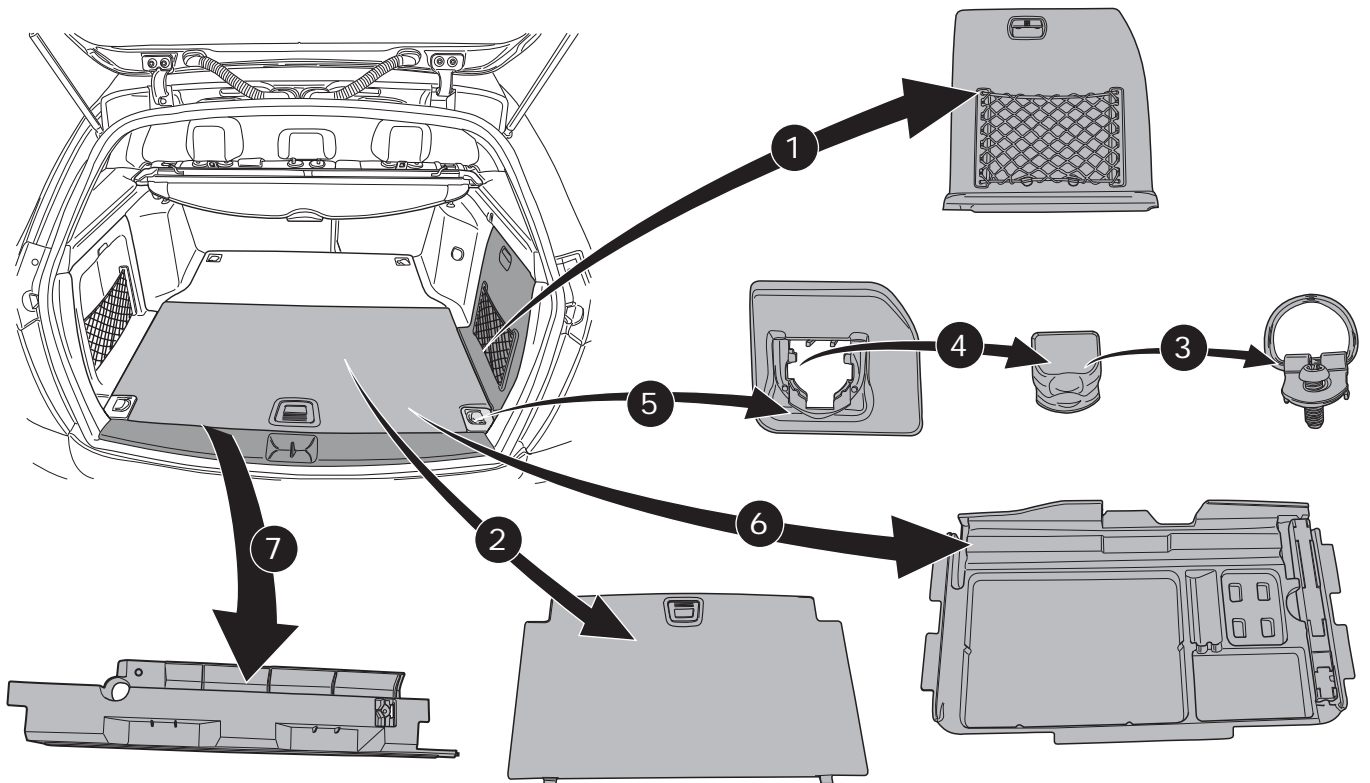
C KLASSE LIMOUSINE & COUPÉ / E KLASSE LIMOUSINE & COUPÉ & CABRIO

2

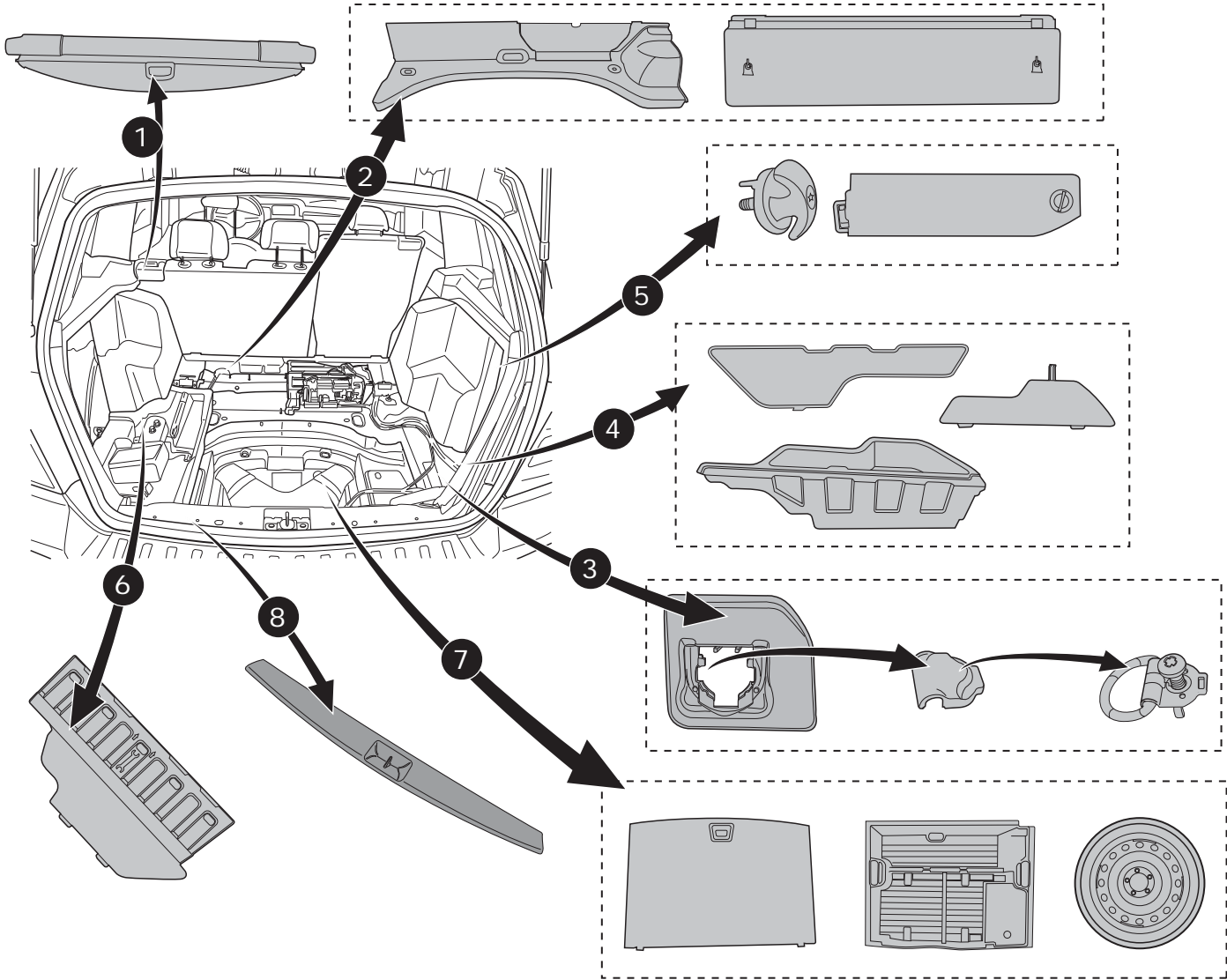


C KLASSE ESTATE / E KLASSE ESTATE / CLS SHOOTING BRAKE

3

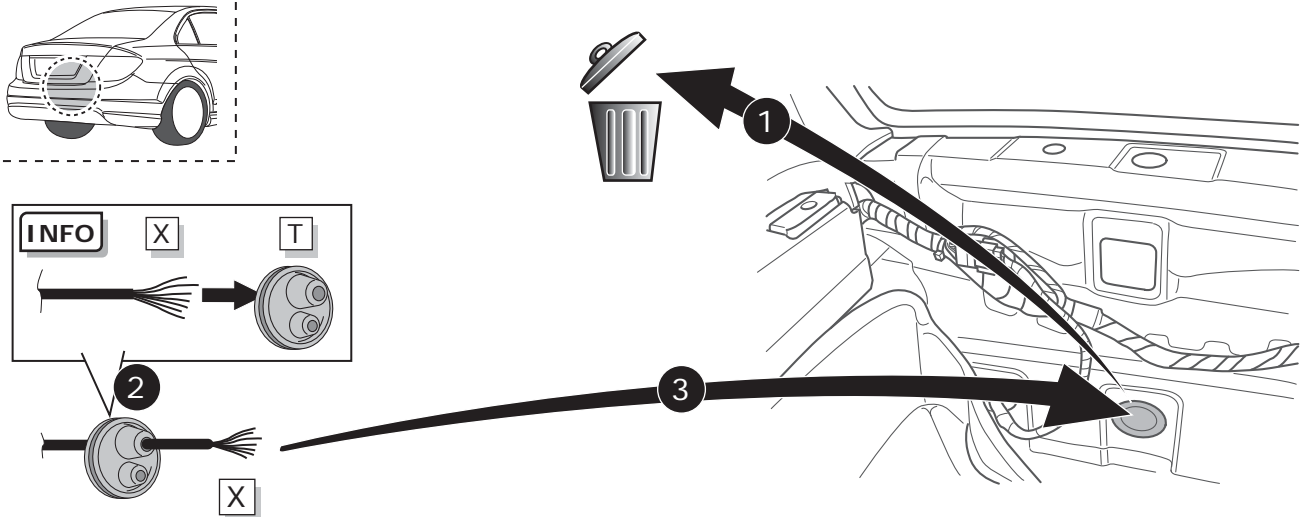


4



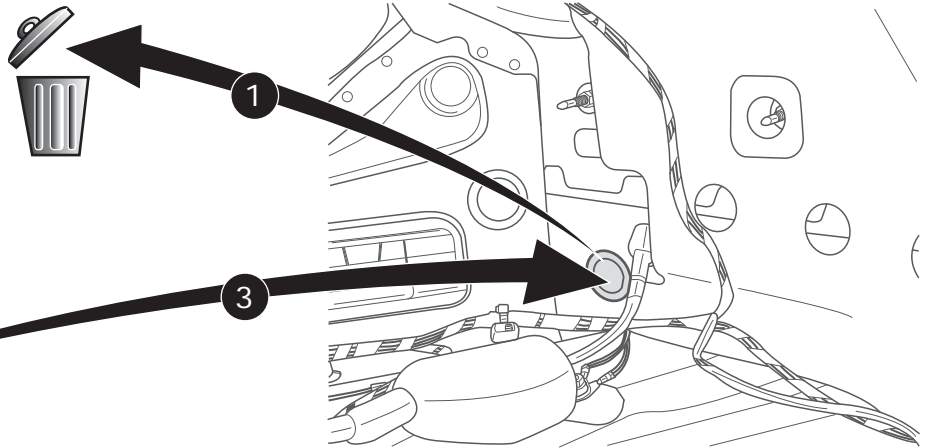
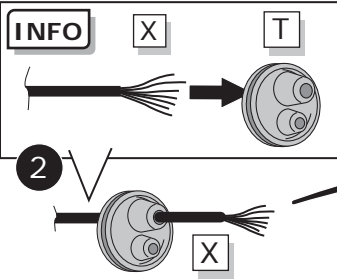
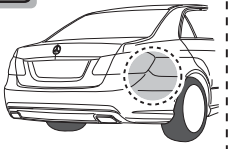
C KLASSE LIMOUSINE & ESTATE & COUPÉ / CLS SHOOTING BRAKE

5



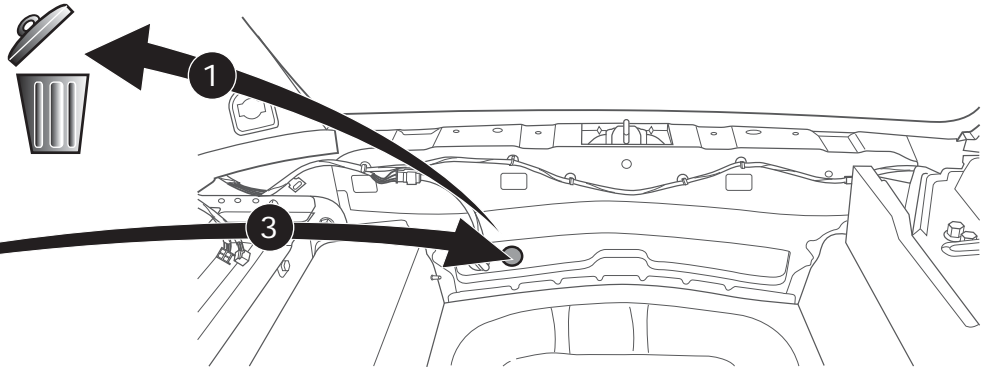
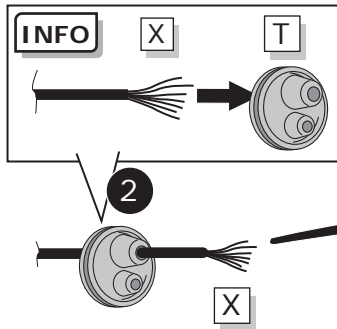
E KLASSE LIMOUSINE & COUPÉ & ESTATE & CABRIO

6



GLK

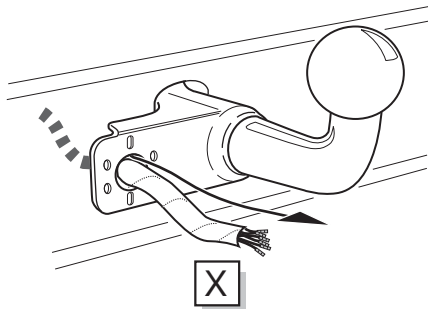
7



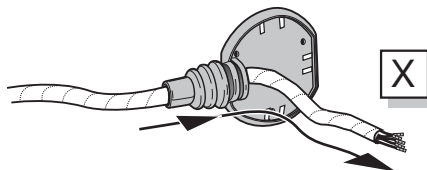
ALL MODELS

A

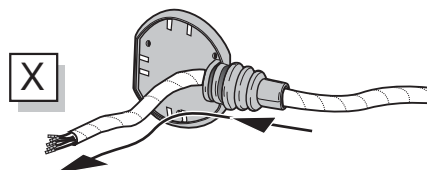
Option 1



Option 2



Option 3



INFO

SOCKET CONNECTION

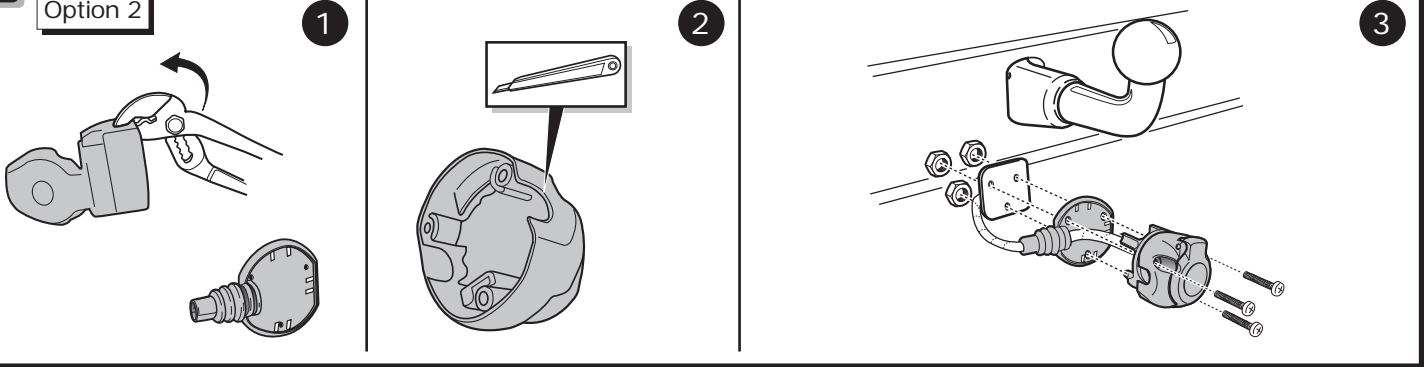


Pag. 17

ALL MODELS

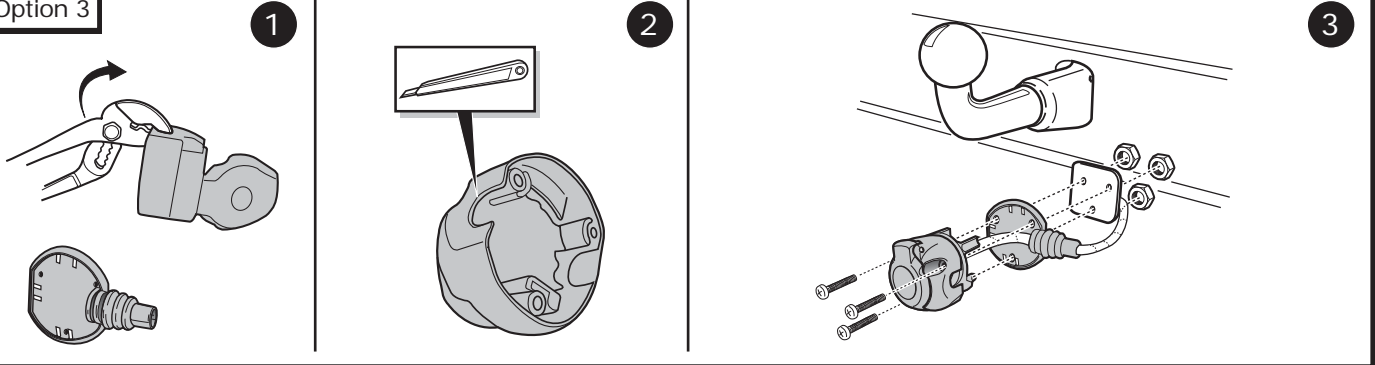
B

Option 2



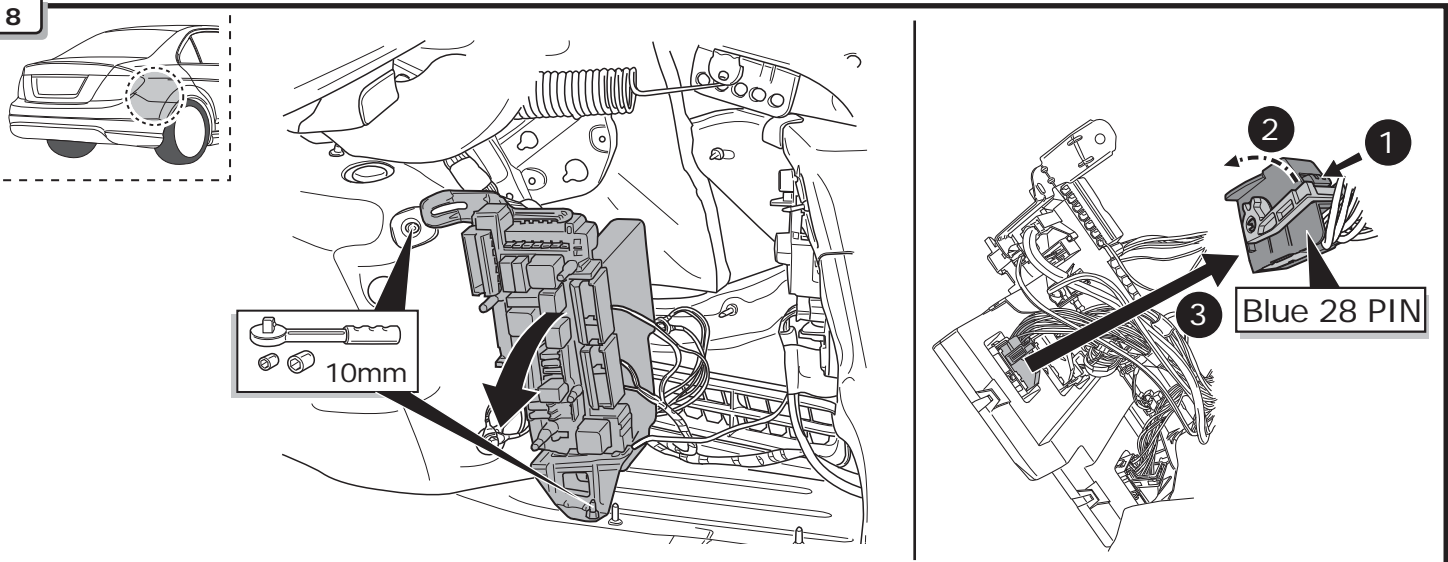
C

Option 3

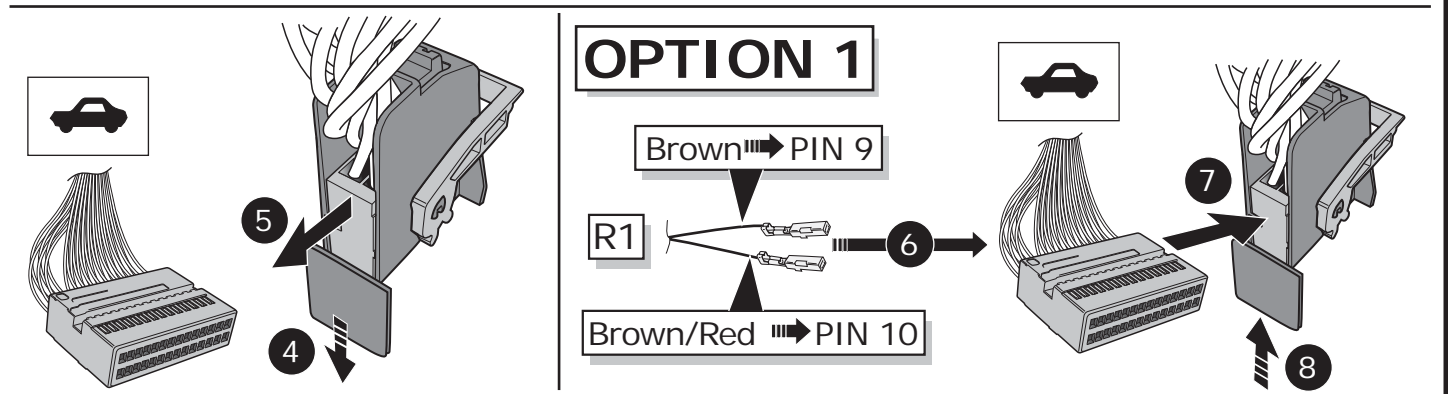


C KLASSE ALL MODELS / E KLASSE ALL MODELS / CLS SHOOTING BRAKE

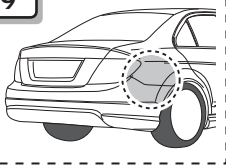
8



OPTION 1

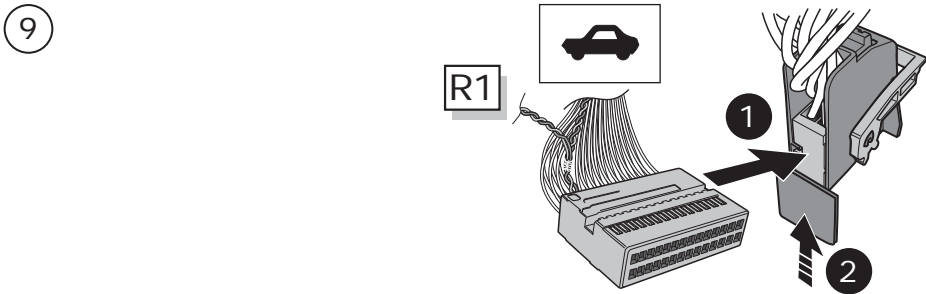
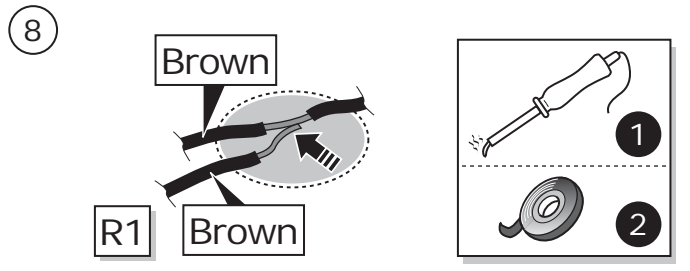
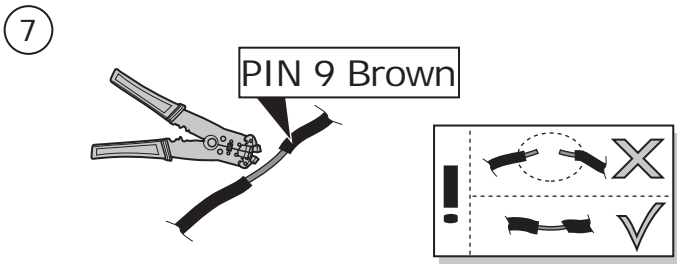
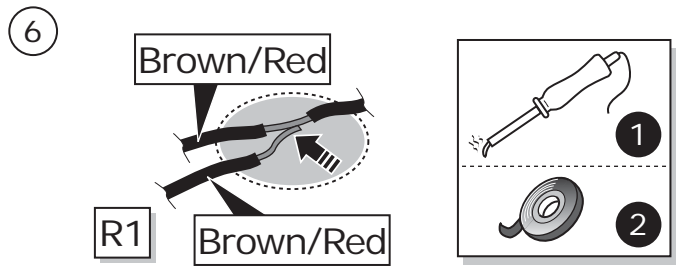
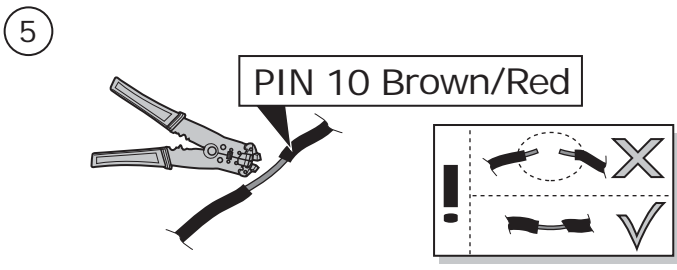
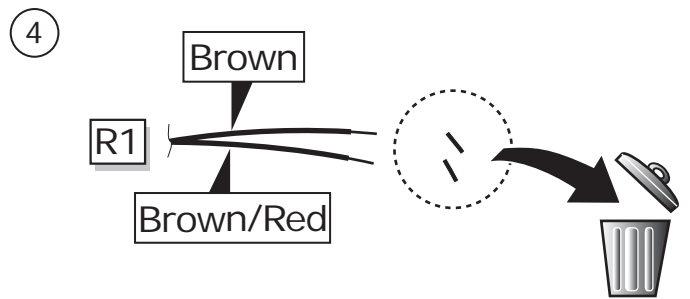
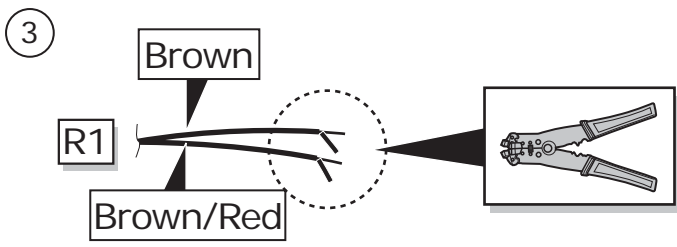
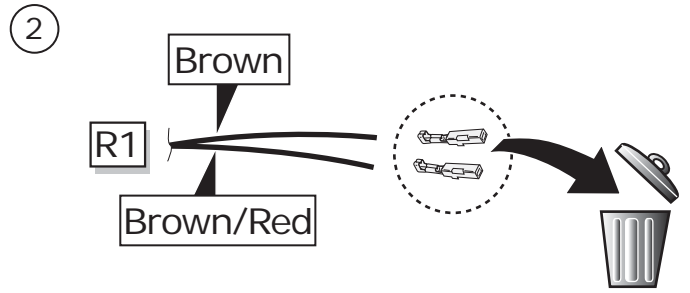
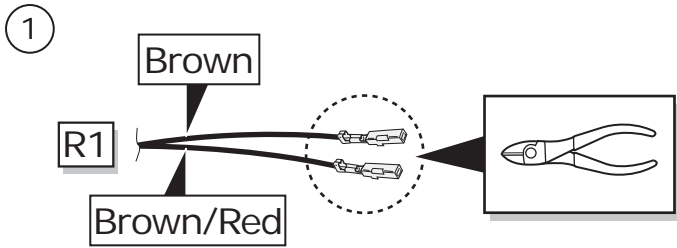
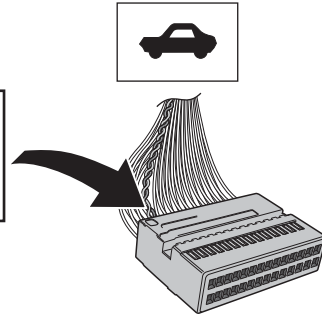


9

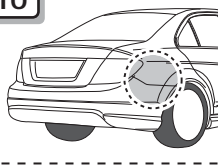


OPTION 2

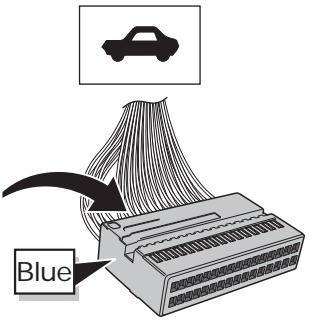
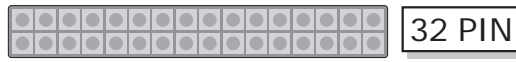
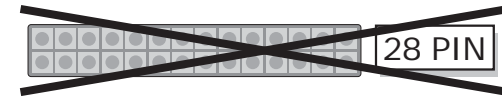
IF PIN 9 Brown & PIN 10 BN/RD ARE TAKEN



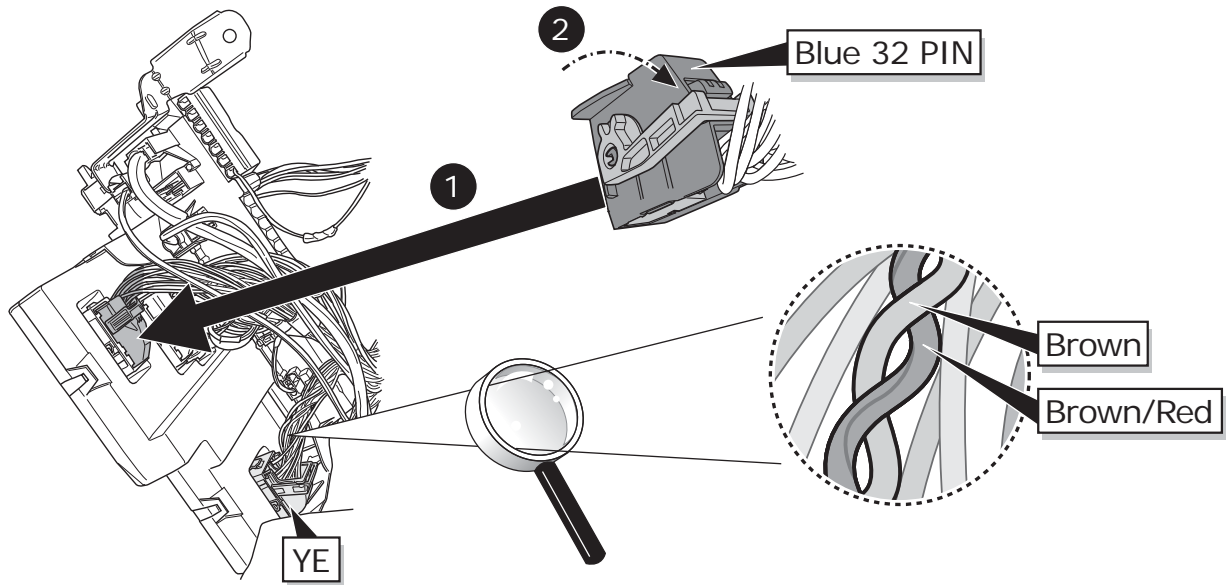
10



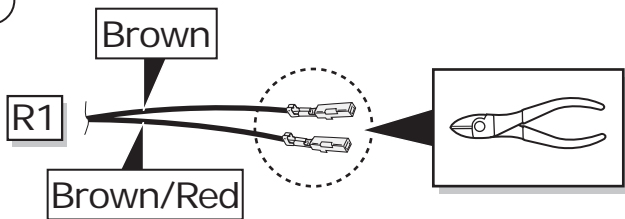
OPTION 3



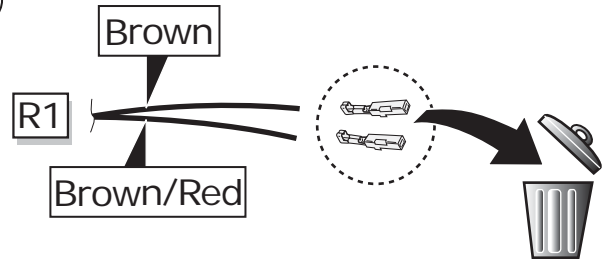
1



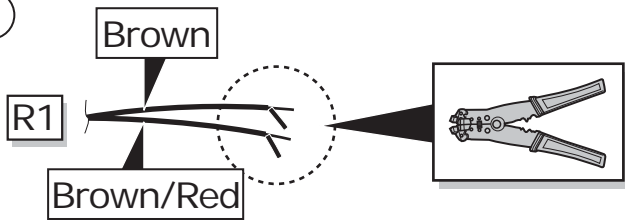
2



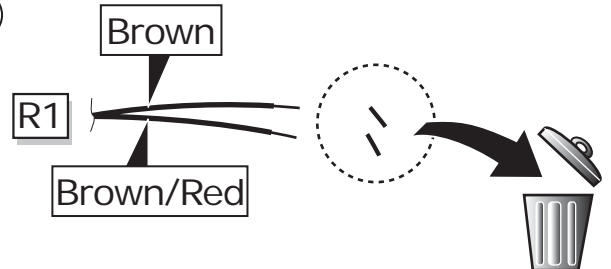
3



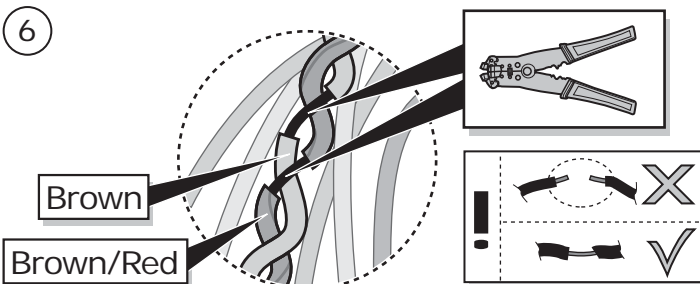
4



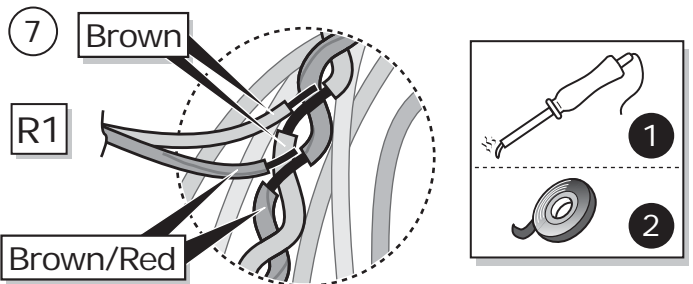
5



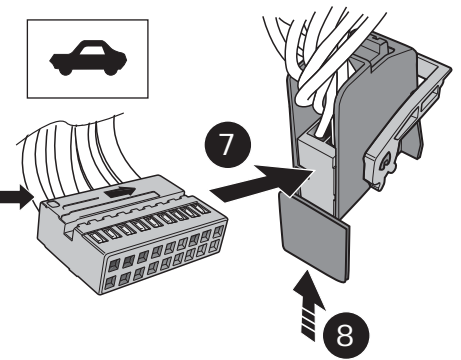
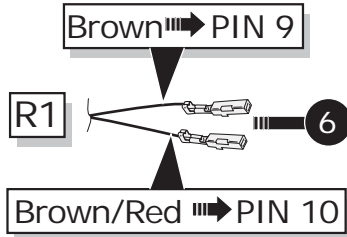
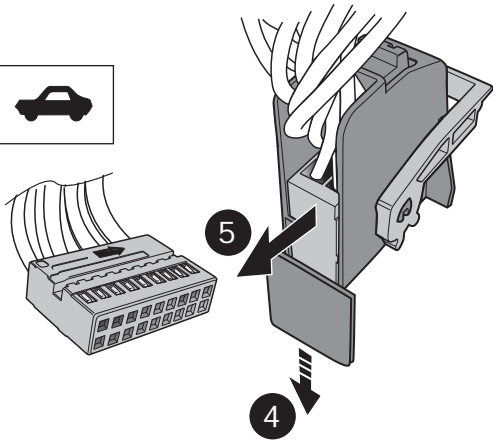
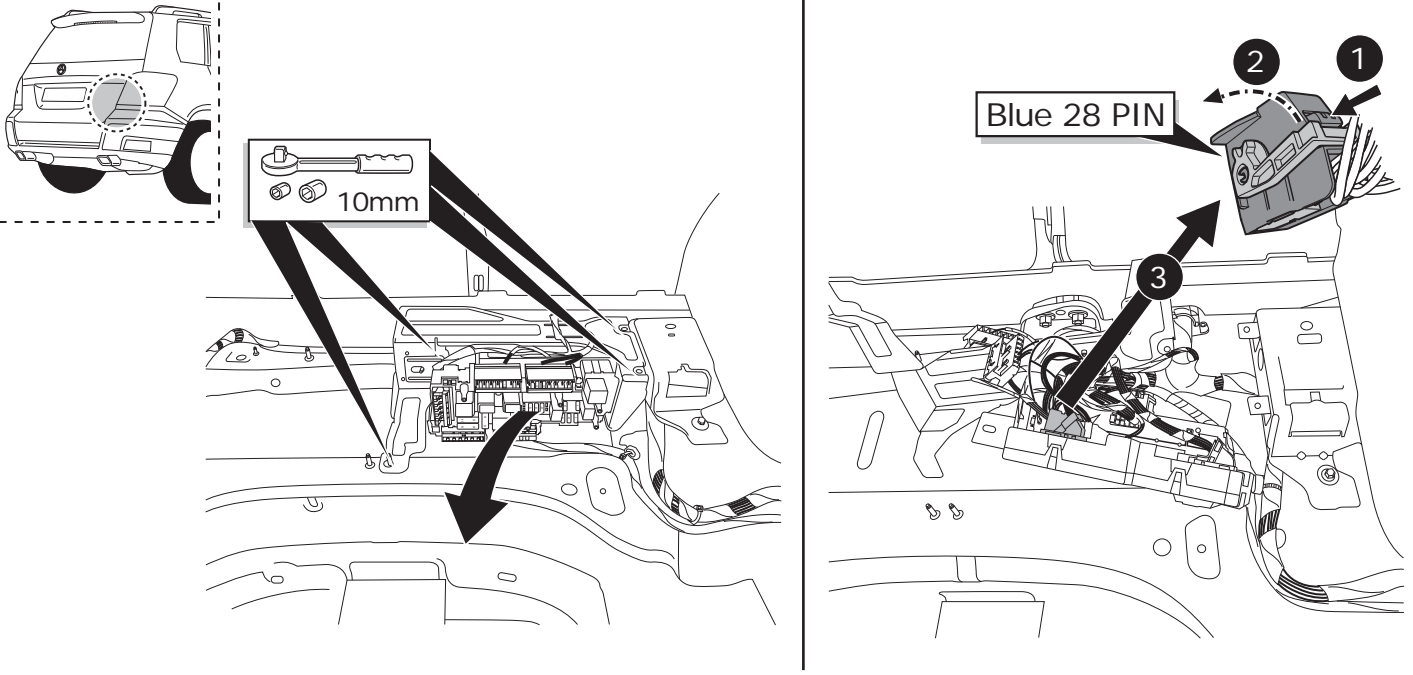
6



7

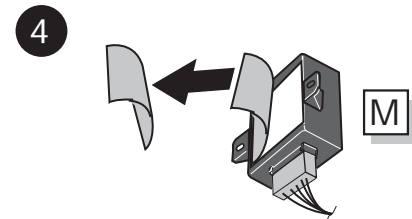
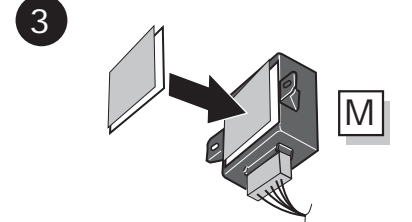
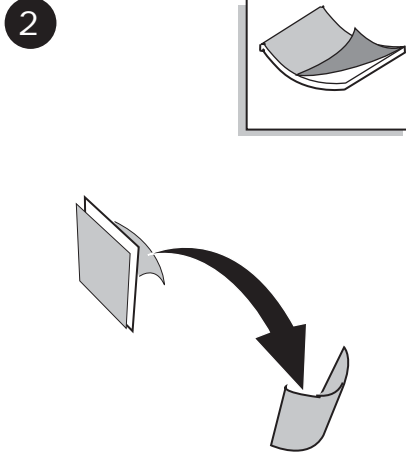
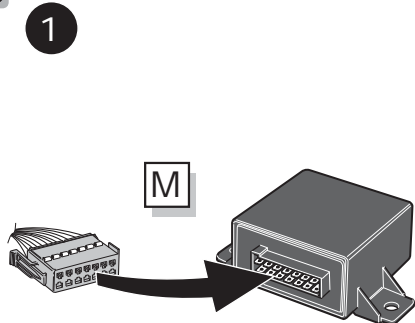


9



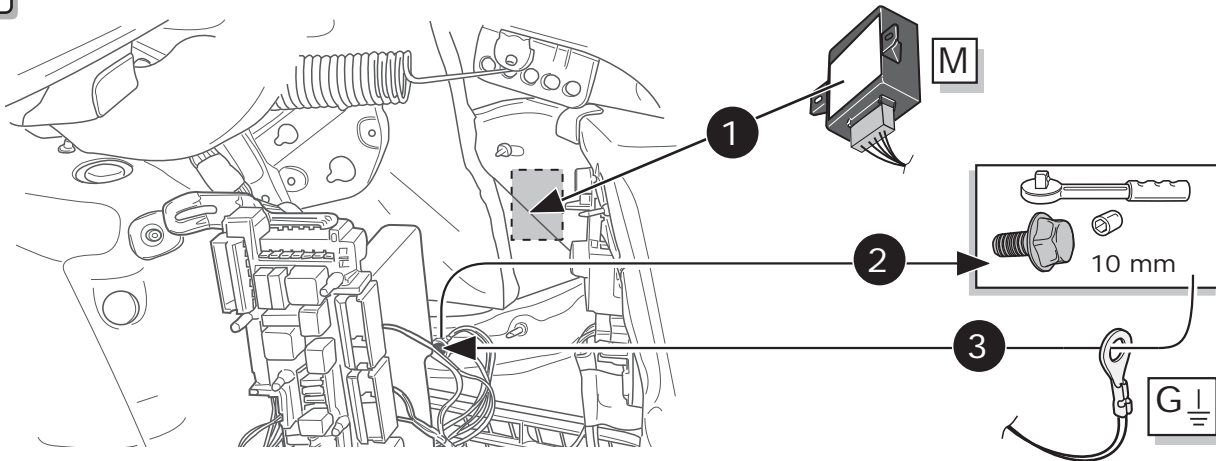
ALL MODELS

10



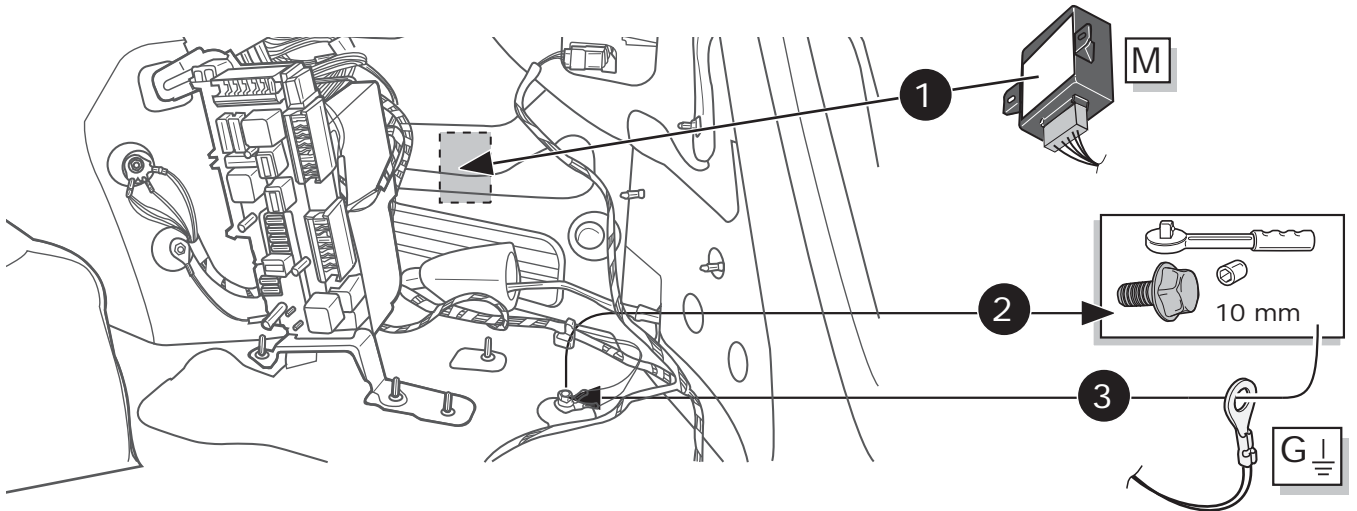
C KLASSE LIMOUSINE & ESTATE & COUPÉ / CLS SHOOTING BRAKE

11



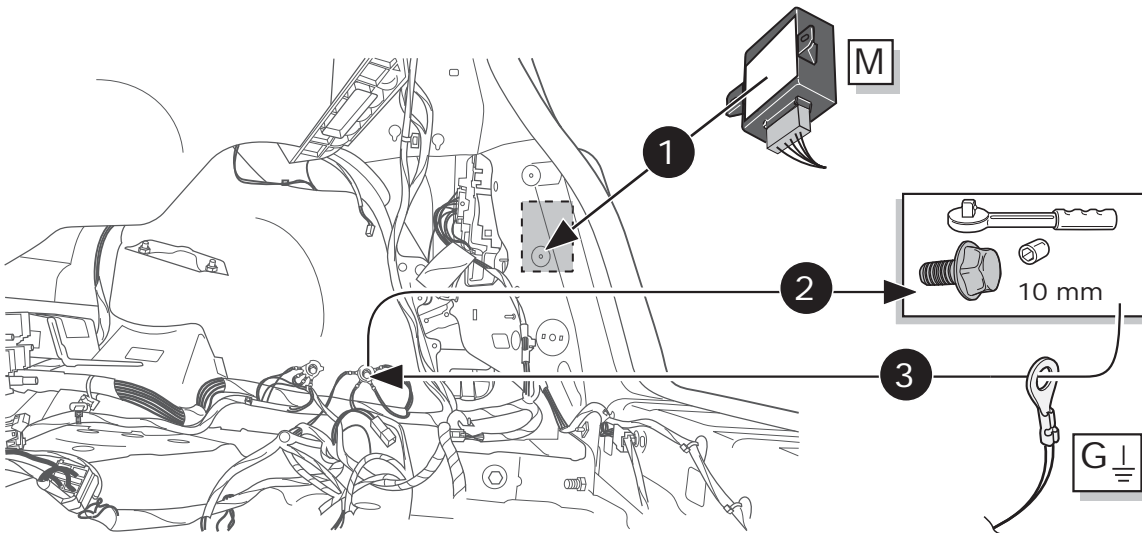
E KLASSE LIMOUSINE & COUPÉ & ESTATE & CABRIO

12

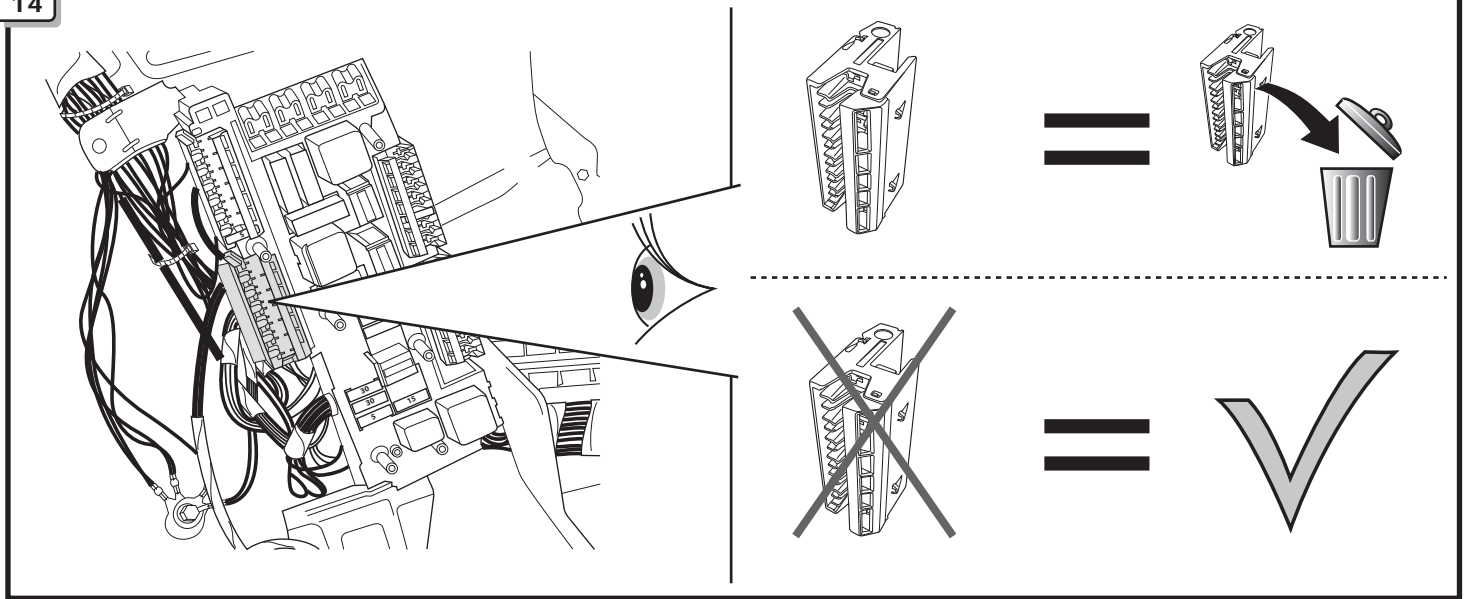


GLK

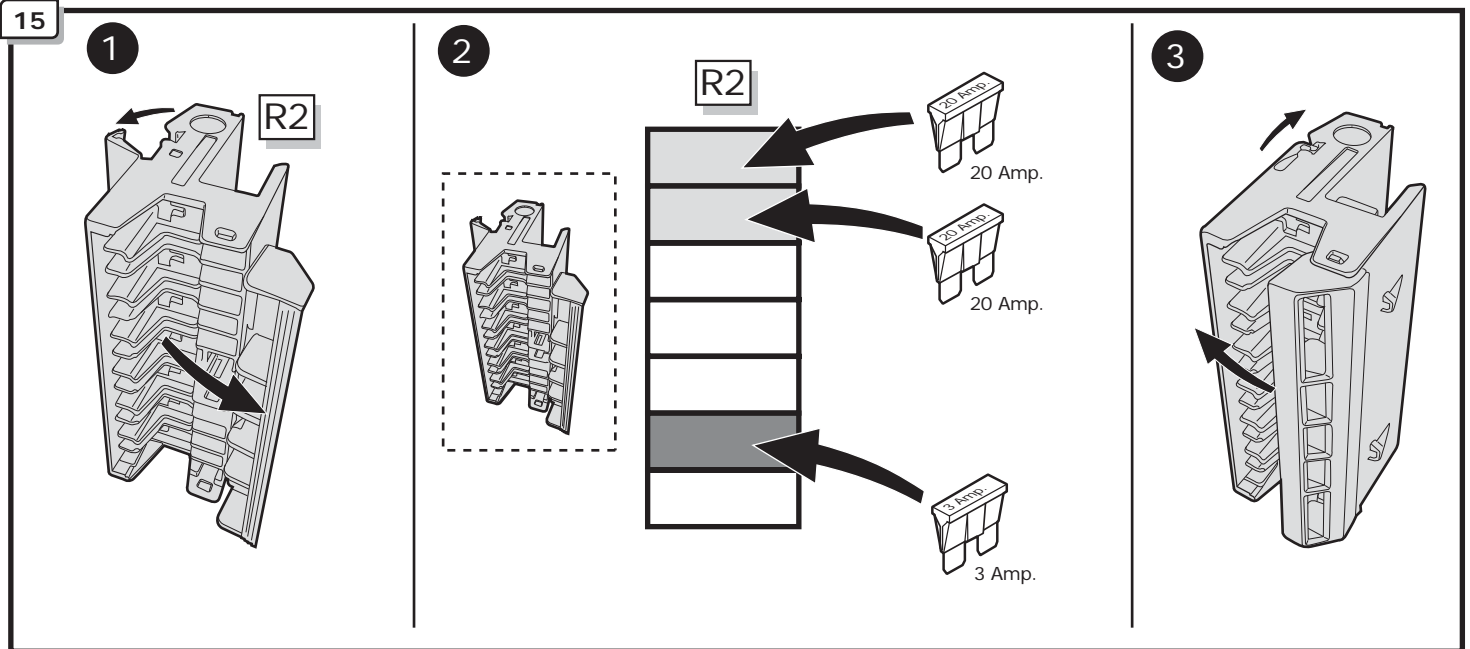
13



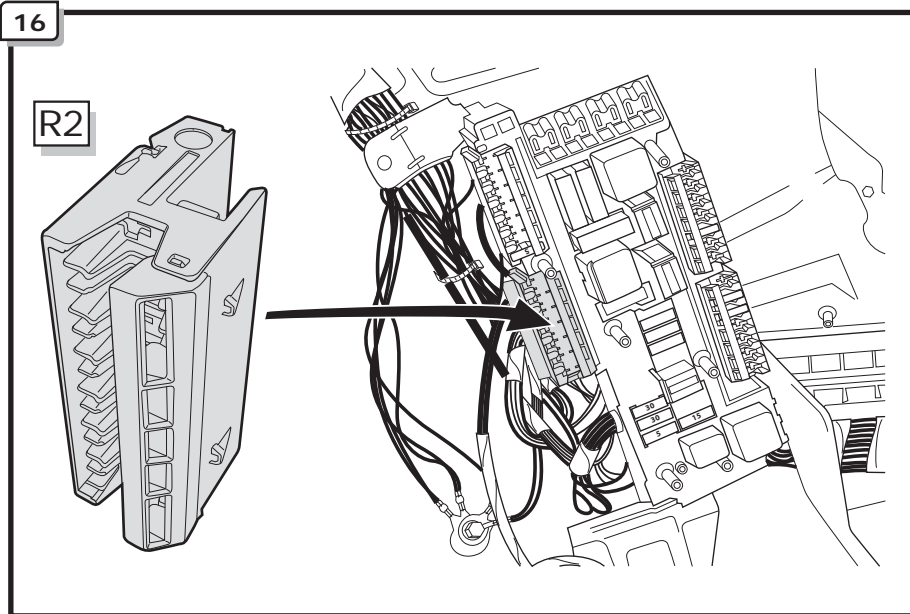
14



15



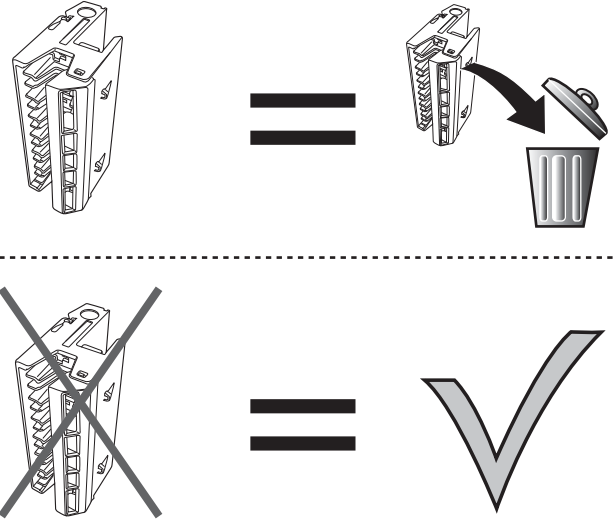
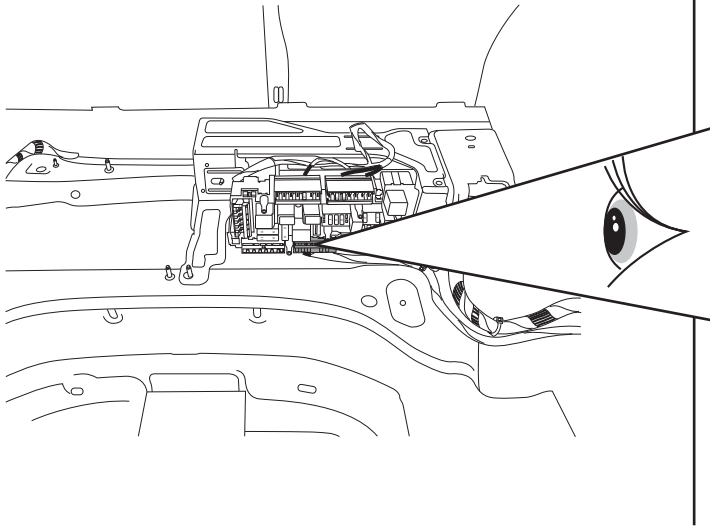
16



17

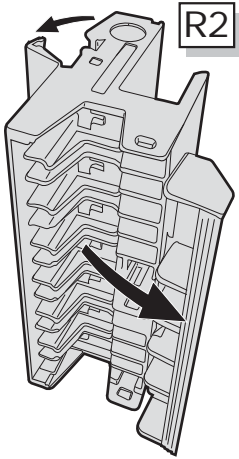


18

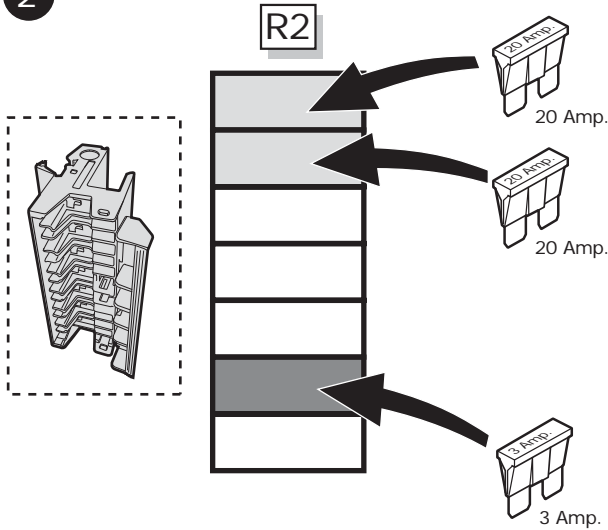


19

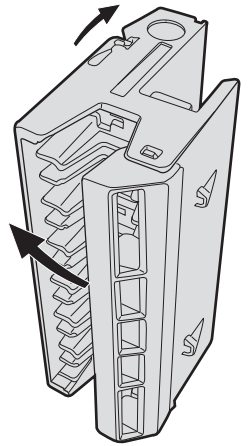
1



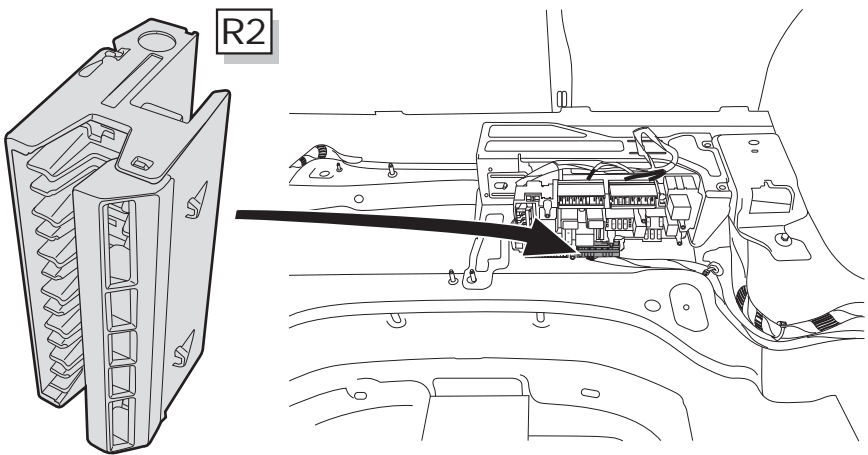
2



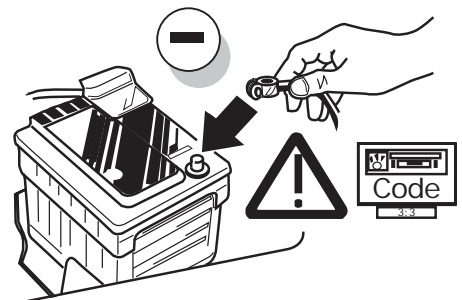
3



20

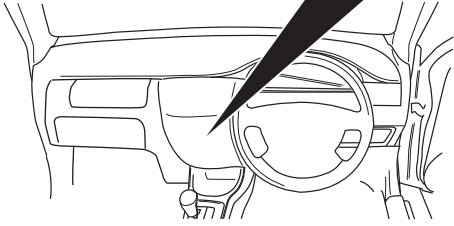
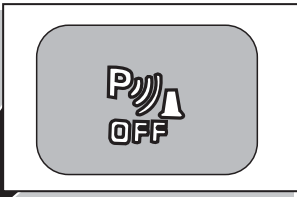
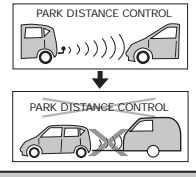


21

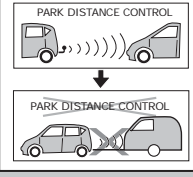


INFO

Manual PDC



Auto PDC



22

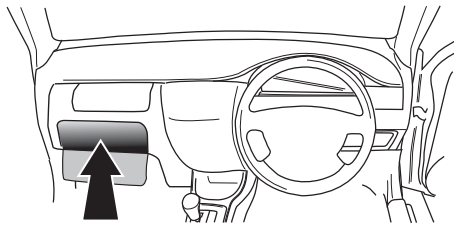


TEST ALL THE CIRCUITS WITH A TEST DEVICE WITH THE CORRECT POWER LOAD FOR EACH FUNCTION. A TEST DEVICE WITH LED'S CANNOT BE USED FOR THIS PURPOSE.

INFO

REINSTALL TRIM.

23



User guide

TECHNICAL SUPPORT



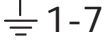




CALL 07440 202 052

ECS ELECTRONICS

MONDAY TO FRIDAY
08.00 - 11.00 am
12.00 - 05.00 pm

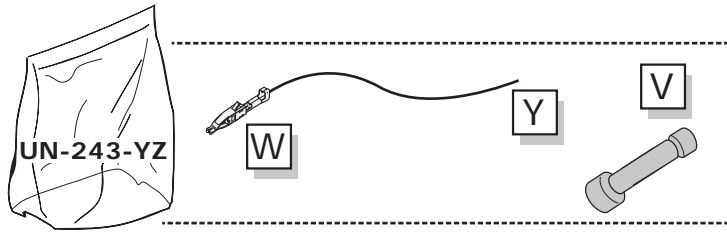
tekinner@ecs-electronics.com
www.ecs-electronicsuk.co.uk

SOCKET CONNECTION

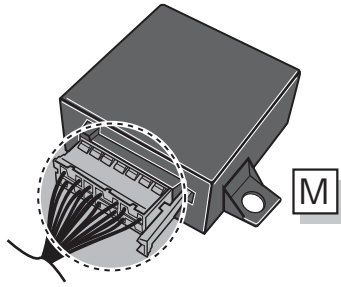
DIN/ISO 1724							
	1/L	2	3/31	4/R	5/58-R	6/54	7/58-L
Pmax	21W	2x21W		21W	52W	3x21W	52W
Colour	Yellow	Blue	White	Green	Brown	Red	Black

UN-243-YZ Reverse lamp pre-wire extension

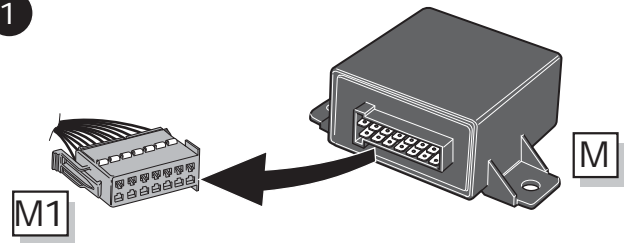
⚠ MAX = 21W



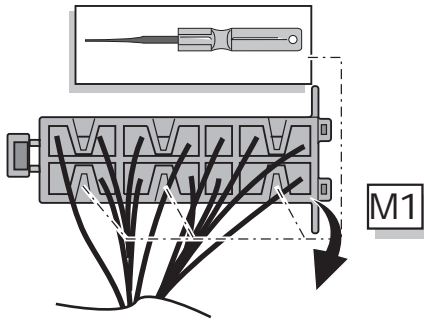
A



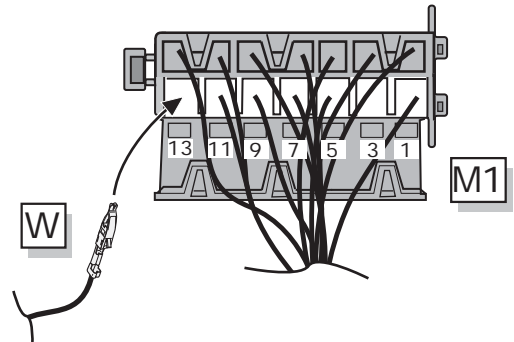
1



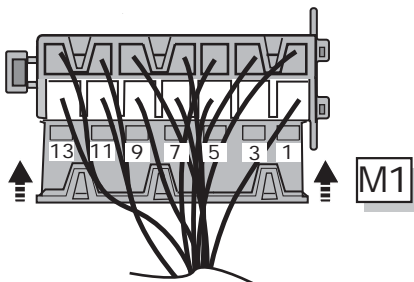
2



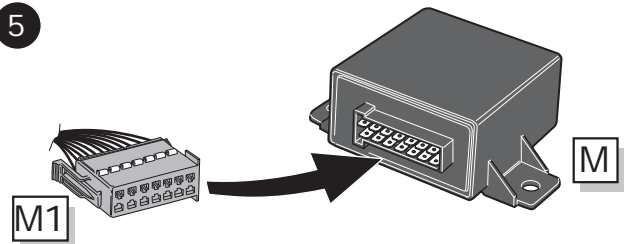
3



4



5



B

⚠ MAX = 21W

