

## Mercedes Benz

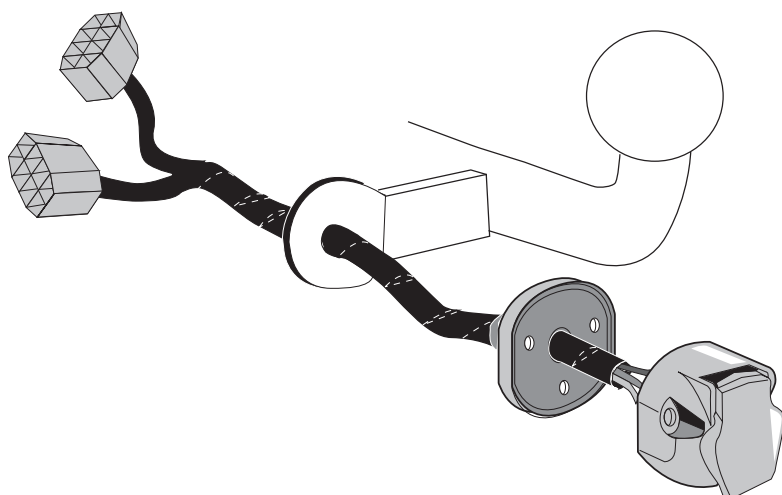
**Sprinter W907 06/2018 >>**

**Sprinter W910 06/2018 >>**

**Part No: MB-098-13U**

**For models with and without trailer preparation!**

# Electric wiring kit for towbars / 13-pin / 12 Volt / ISO 11446 Fitting instructions



## IMPORTANT!

This electric kit has to be installed by a professional workshop or a suitable qualified person.

The installation instructions must have been read and fully understood before the start of any installation. Please contact your wiring kit provider or the hotline shown in the footer should you need assistance!

Make sure the vehicle is approved/homologated by the manufacturer to tow a trailer!

Also please check that there is a definite compatibility between this vehicle and the electric kit!

Following the installation of the electric kit, the fitting instructions should be kept together with the vehicle service document and vehicle handbook. The fitting instructions contain important information relating to the use and function of the towing kit as well as for any diagnostic or activation process, that might have to be repeated in the future (e.g. after the performance of a vehicle software update).

All warranty claims will be forfeited if the electric kit or components contained therein are used incorrectly or modified. If a towing socket adaptor has been used to connect to the trailer or bike rack, this must be removed from the trailer socket once the trailer or bike rack has been disconnected.

If the trailer or bike rack is not equipped with a rear fog lamp, depending on the towing vehicle type, the correct function of the towing kit cannot be guaranteed. In such cases, a rear fog lamp should be retro fitted.

This towing electric kit will not be covered under warranty if any technical or electrical modifications or software updates have been performed by the vehicle manufacturer after the initial commissioning of the kit. That applies especially to modifications or updates which may cause malfunctions in the trailer socket or any other part of the trailer electrical equipment!

Depending on the type of trailer module used in this electric kit, diagnostic interrogation with the vehicle's electrical system may be limited or will not function. The error memory inside the trailer module may not be able to be accessed by vehicle manufacturers diagnostic system.

Error logs relating to the trailer electrical equipment, that may be generated in the vehicle manufacturers diagnostic system as a result of a test procedure, may be due to the incorrect installation of the towing electric kit or the false activation of the trailer module.

**We always recommend whenever possible, the following troubleshooting process:**

→ **An analysis of the vehicle's error memory and possibly clearing of all faults before the start of the installation!**

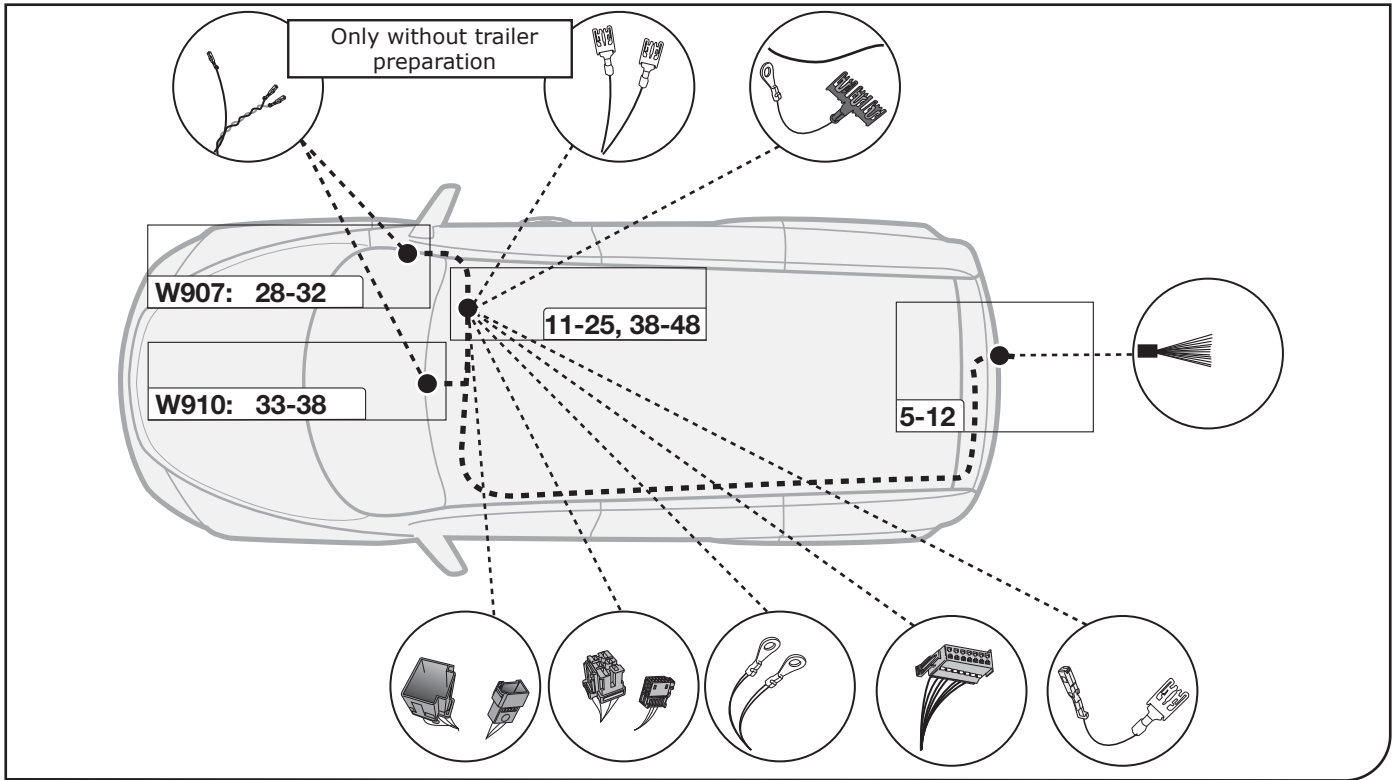
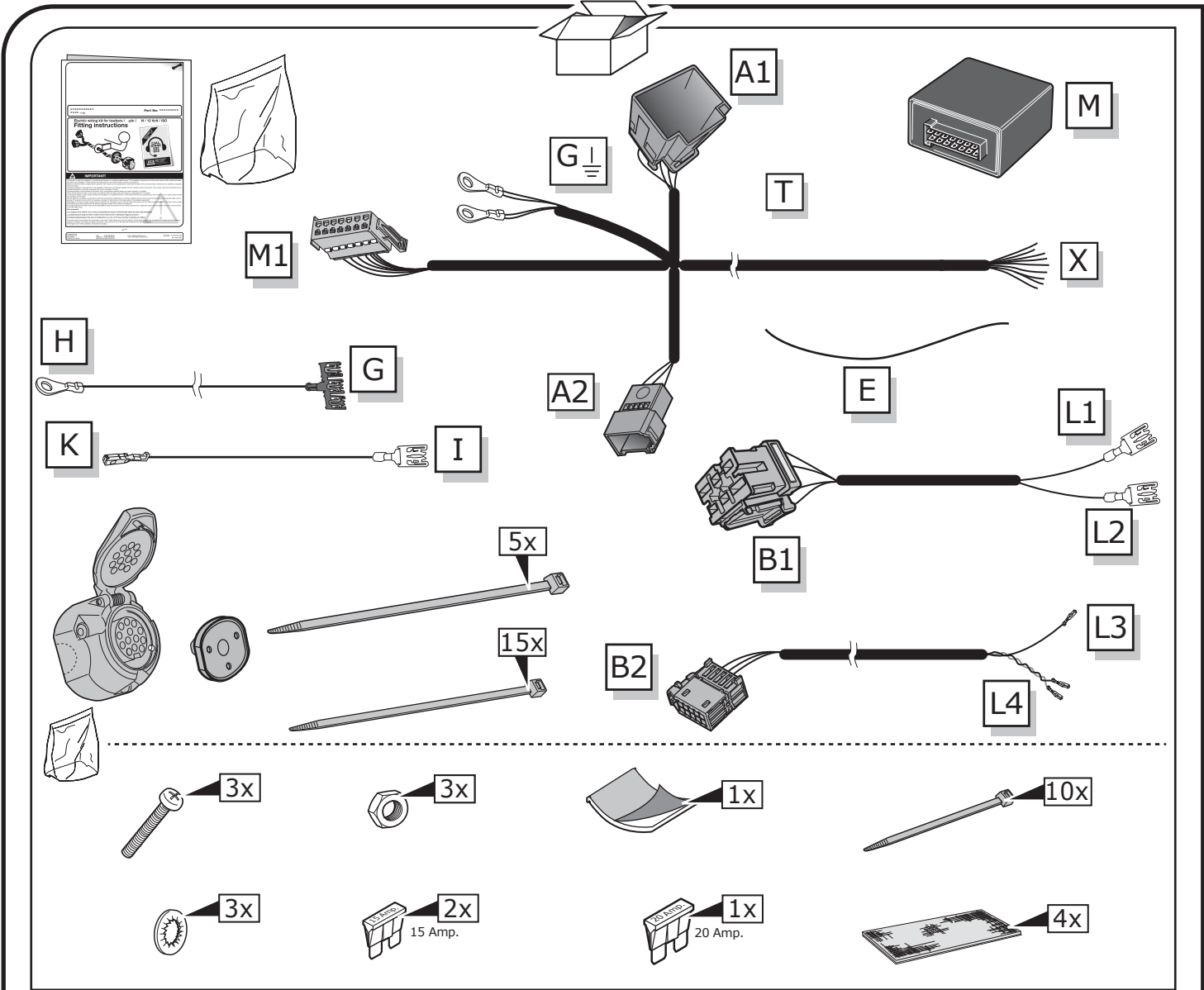
→ **Try disconnecting the trailer module from the towing harness and re-start the fault clearing process!**

→ **If in doubt, limit the time for troubleshooting to a max of 0,5 hours and call our Technical Support Team!**

Please follow our instructions carefully and always test the towing electrics using a true lighting board or a specifically designed bulb tester. If an LED tester is used, ensure it is equipped with correct load resistors or malfunctions will occur!

This instruction is subject to changes and we reserve the right to make changes to design, colour etc.

All of the data and illustrations may not be an exact representation but the text contained in this instruction must be observed!

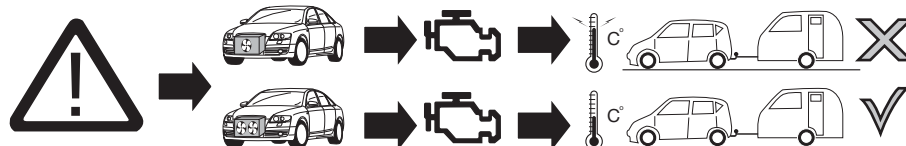
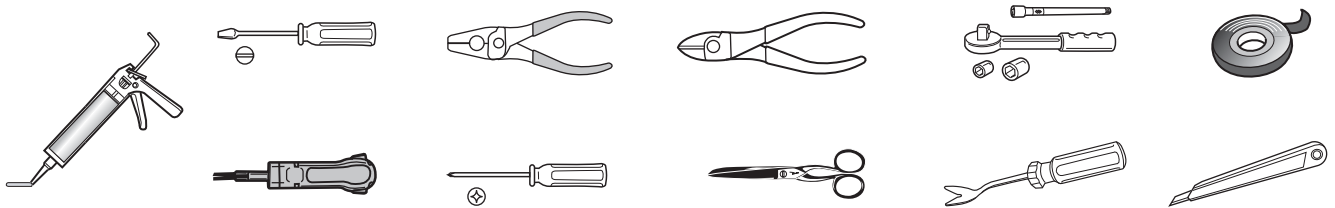


## SYMBOL EXPLANATION

	Left (58-L) respectively Right (58-R) tail light
54	Stop light (54) / high mounted, third stop light (54)
	Turn signal indicator left
	Turn signal indicator right
	Rear fog light(s)
	Reversing light(s)
	Permanent power supply / 13pin socket, chamber 9
	Charging wire for trailer battery / 13pin socket, chamber 10
	Trailer / trailer recognition
<b>B+ /30</b>	Permanent current power supply
	Ground or Earth (31)
	Ground connection battery terminal lug
	Positive connection battery terminal lug

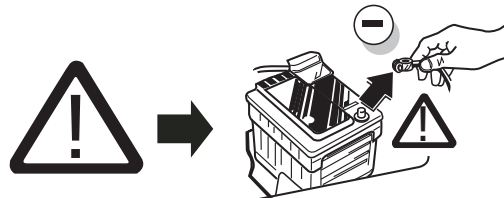
	Cigarette lighter / accessory socket
	Loudspeaker / buzzer
	Park Distance Control
	Switch / source of function
	Connect together
	Disconnect
	Look at / See further information
	Look carefully at selected area
	Present / Occupied / OK
	Not present / Not occupied / Not OK
	Acoustic indication
	Attention / important advice
	Fuse / fuse capacity 20 Ampère

## TOOLS



## ATTENTION!

The vehicle's cooling capacity may have to be increased when retrofitting a trailer coupling!  
You must observe the manufacturer's instructions!!



Note: It may be necessary to check if this vehicle has a stored radio code before disconnecting the battery!



## ATTENTION!

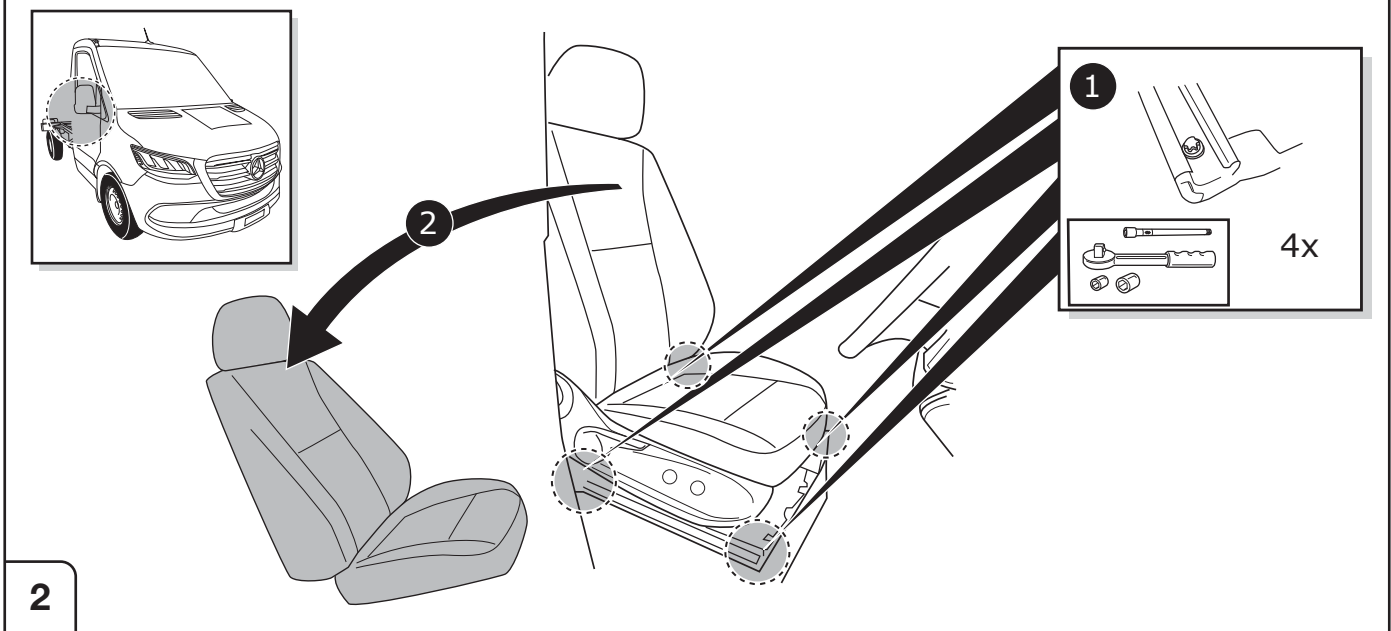
In order to avoid mal-functions and damage to the vehicle's electrical system the earth terminal **must be disconnected** from the vehicle's battery **before starting work!**

Both the trailer module and the vehicle's control unit for the electrical system can be damaged during work on the data bus connections if the battery is not disconnected!

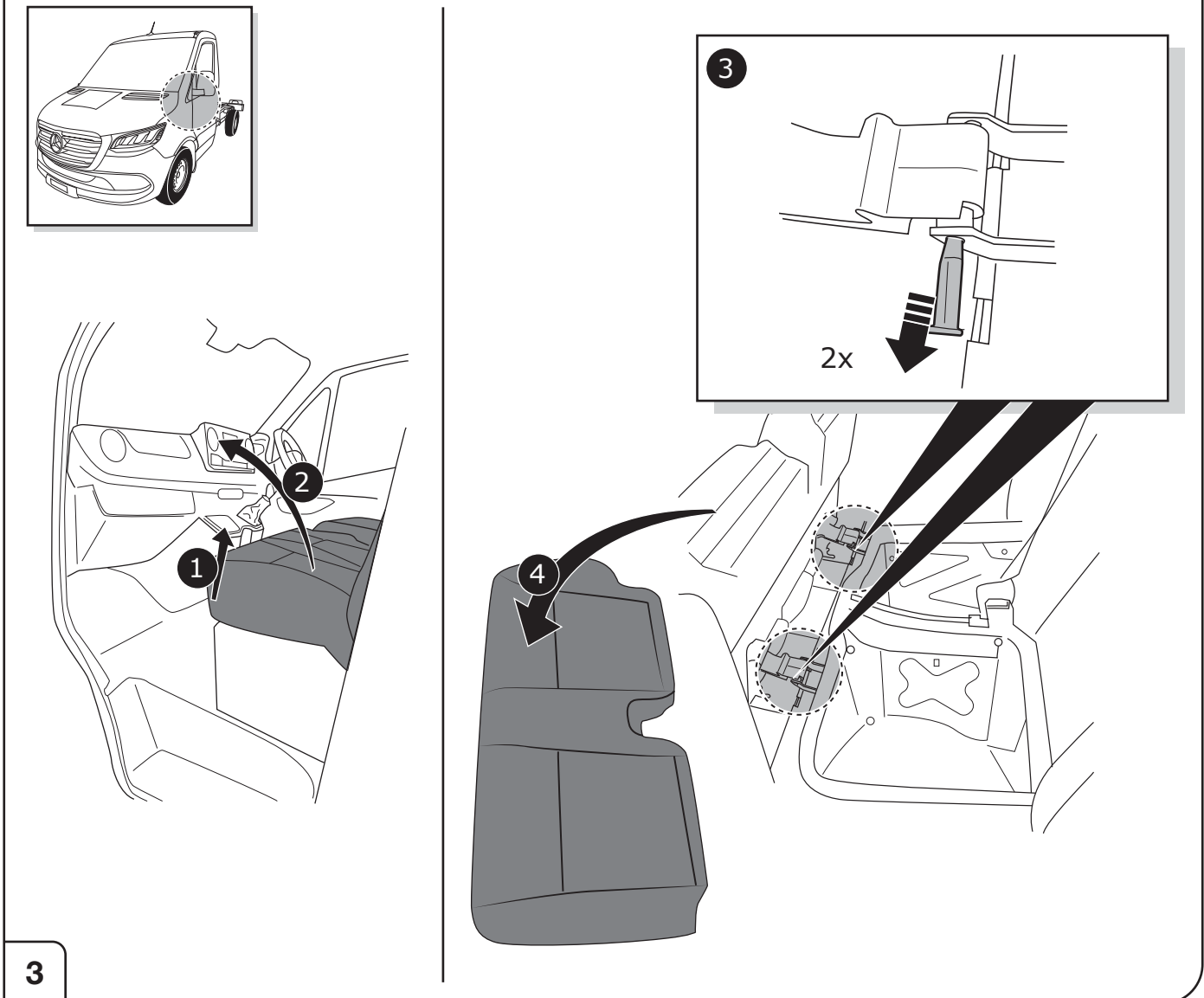
1

Please pay attention to the manufacturer's instructions when disconnecting and reconnecting the vehicle's battery!

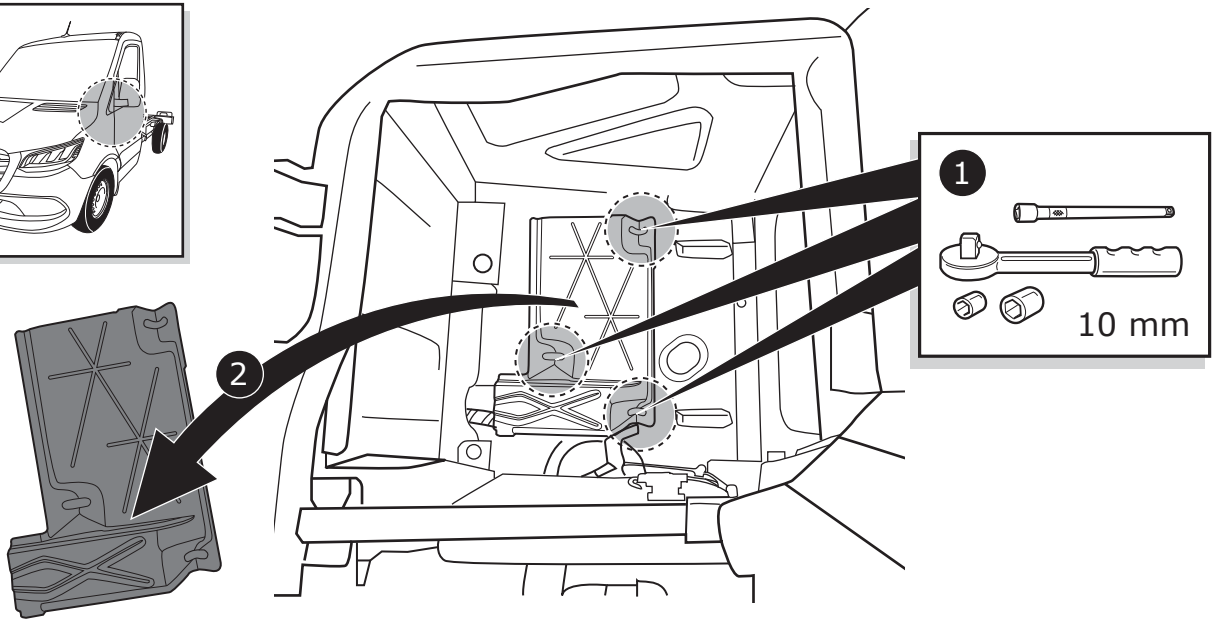
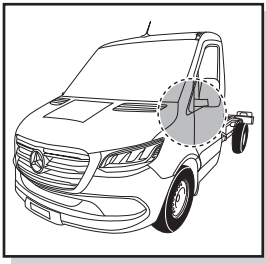
Vehicle with and without trailer preparation.



Vehicle with and without trailer preparation.

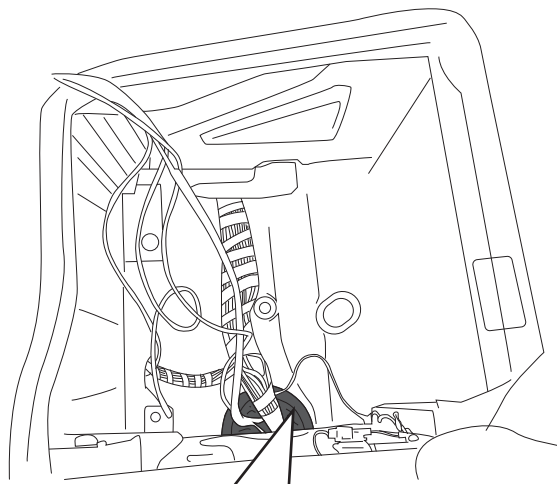


Vehicle with and without trailer preparation.

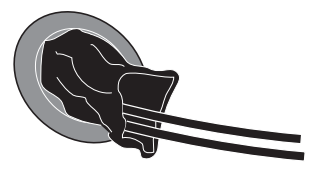
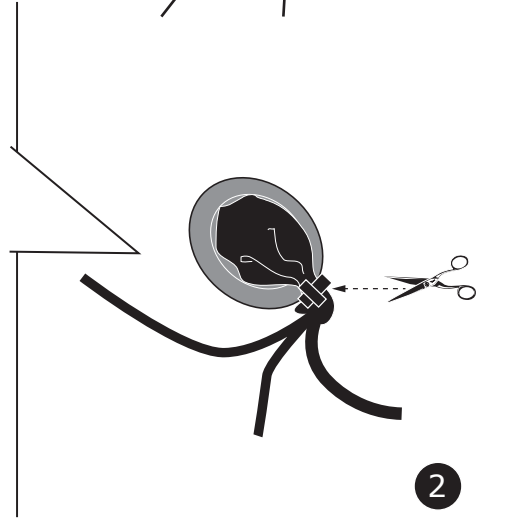


4

Vehicle with and without trailer preparation.



  
Underside



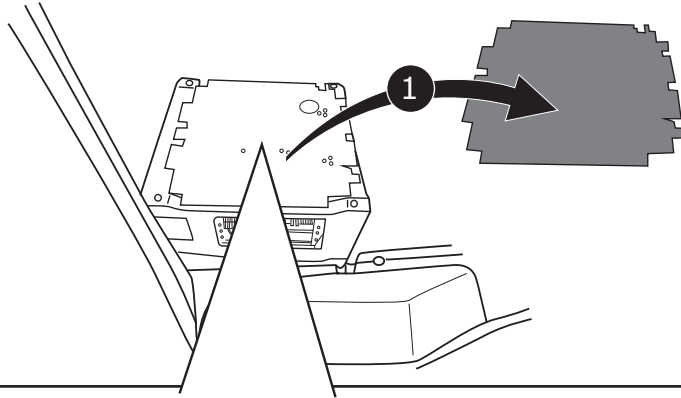
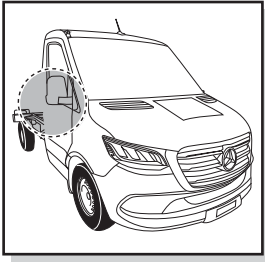
5

1

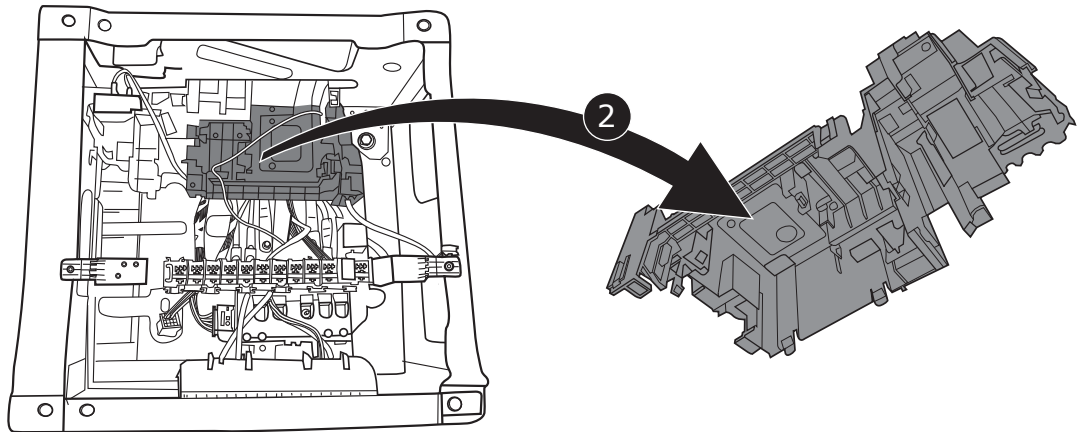
2

3

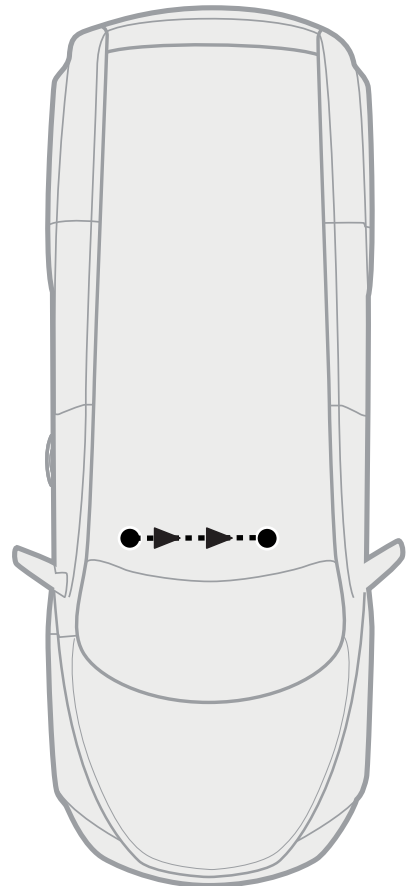
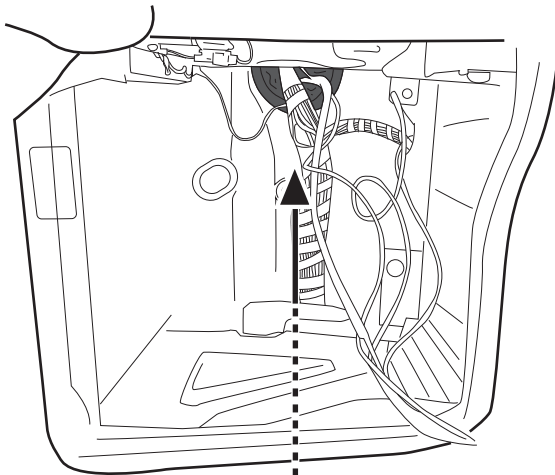
Vehicle with and without trailer preparation.



6



Vehicle with and without trailer preparation.



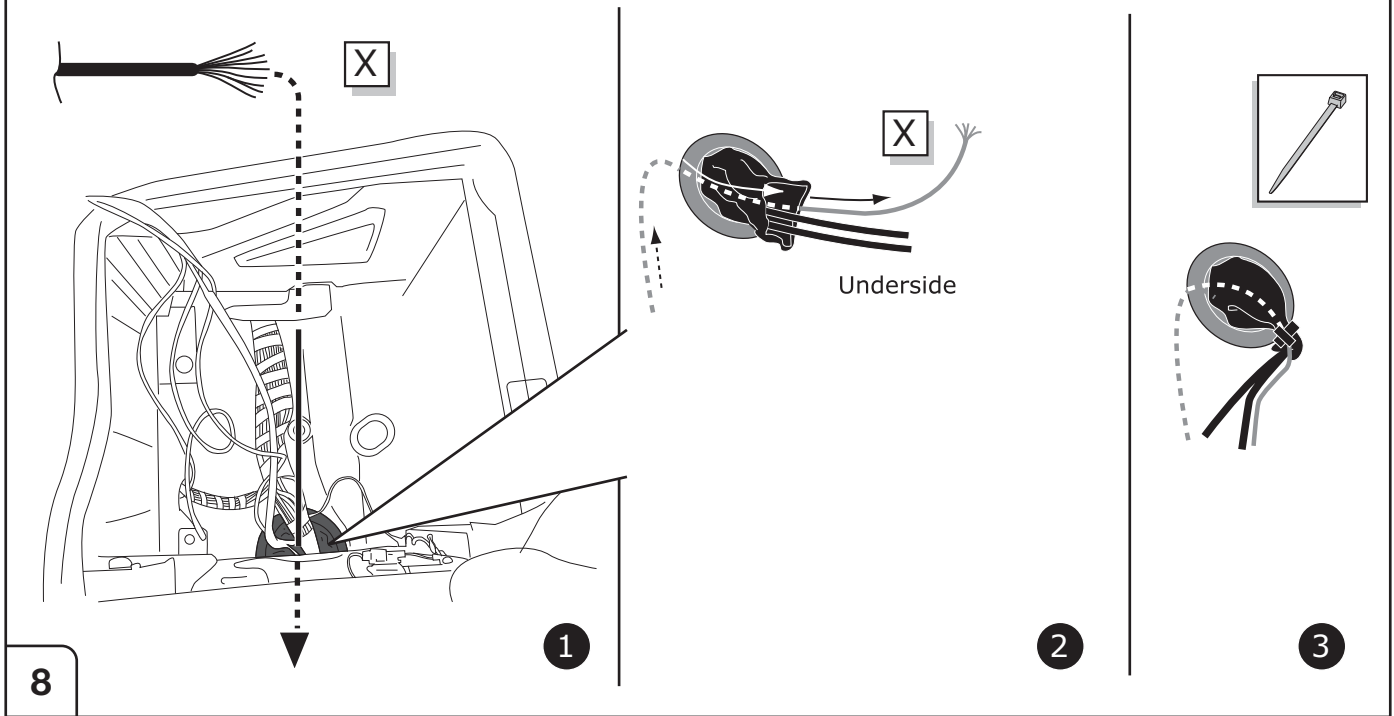
X



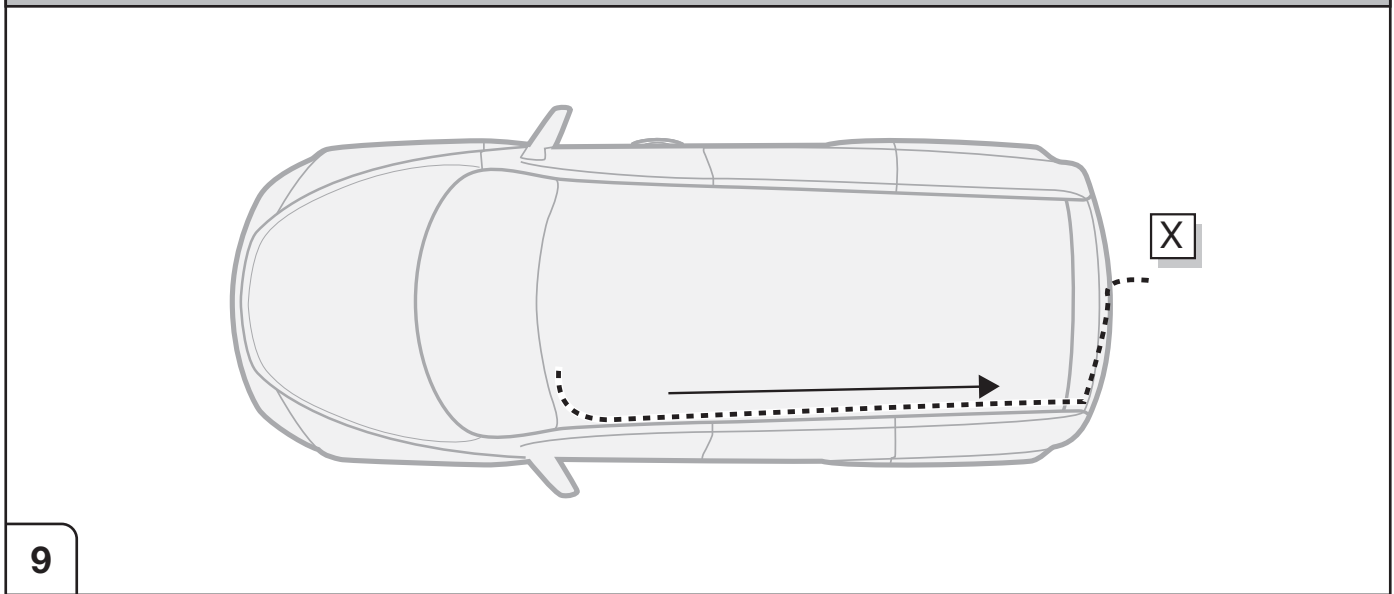
7



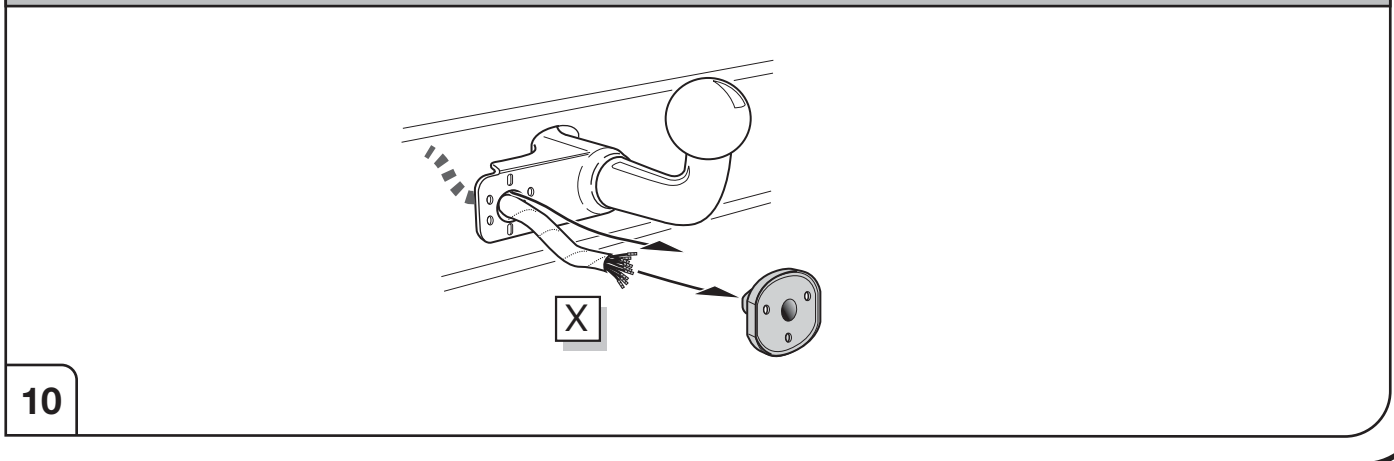
Vehicle with and without trailer preparation.



Vehicle with and without trailer preparation.



Vehicle with and without trailer preparation.



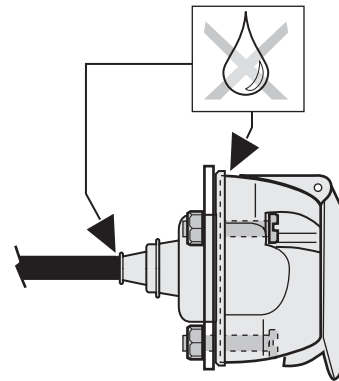
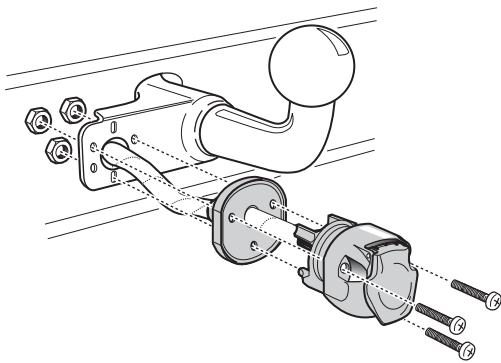
Vehicle with and without trailer preparation.

SOCKET CONNECTION

DIN/ISO 11446													
	1/L	2	3/31	4/R	5/58-R	6/54	7/58-L	8	9	10	11	12	13
Pmax	21W	21W		21W	52W	3x21W	52W	21W	240W	180W			
Colour	Yellow	Blue	White	Green	Brown	Red	Black	Pink	Orange	Grey	White/ Black	-	White/ Red

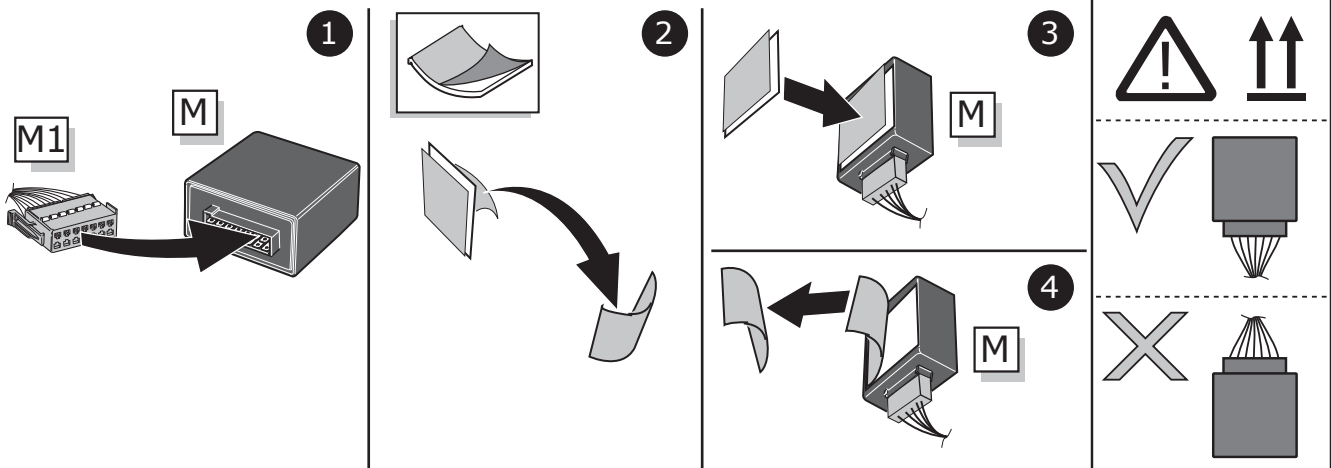
11

Vehicle with and without trailer preparation.



12

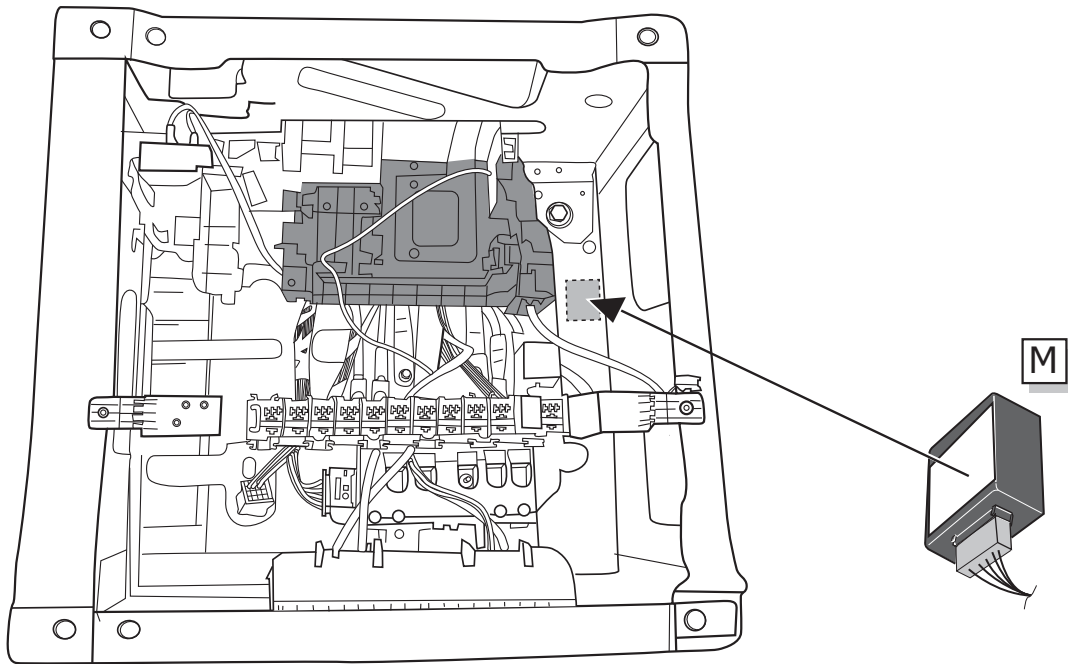
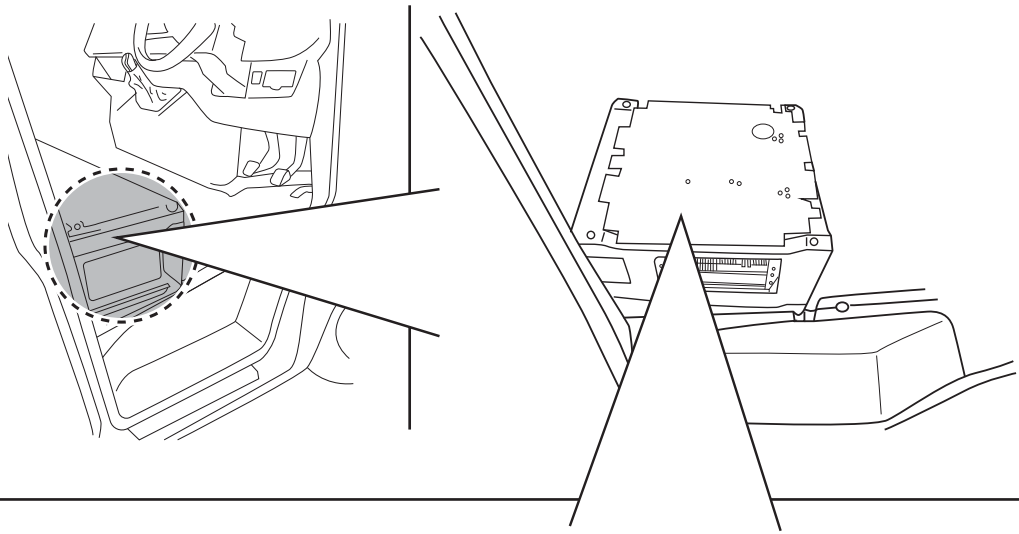
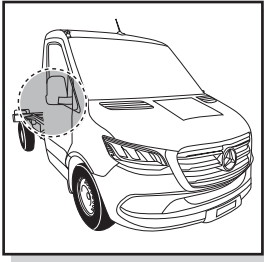
Vehicle with and without trailer preparation.



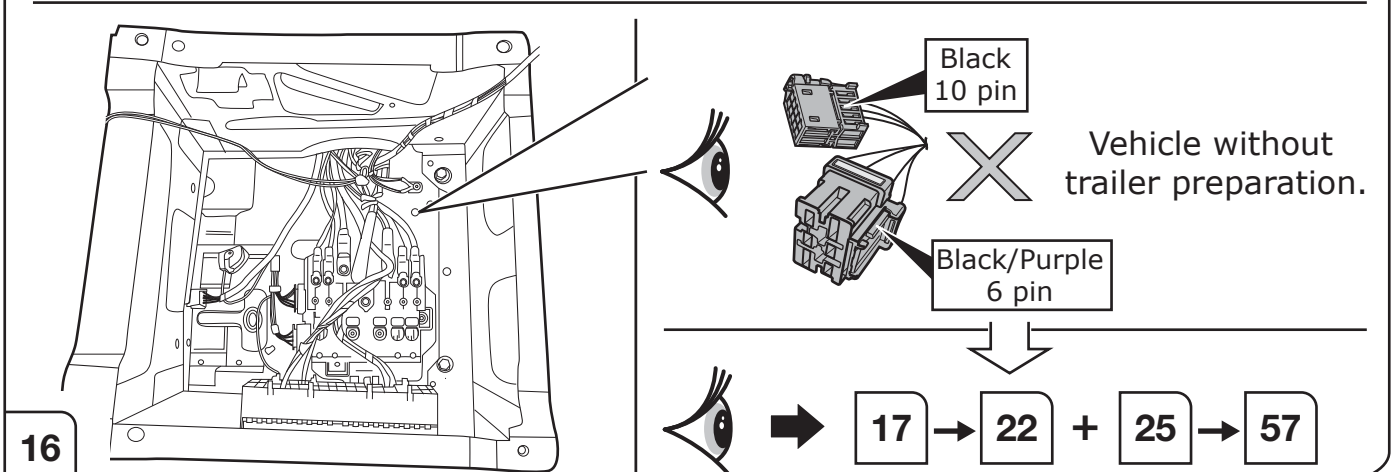
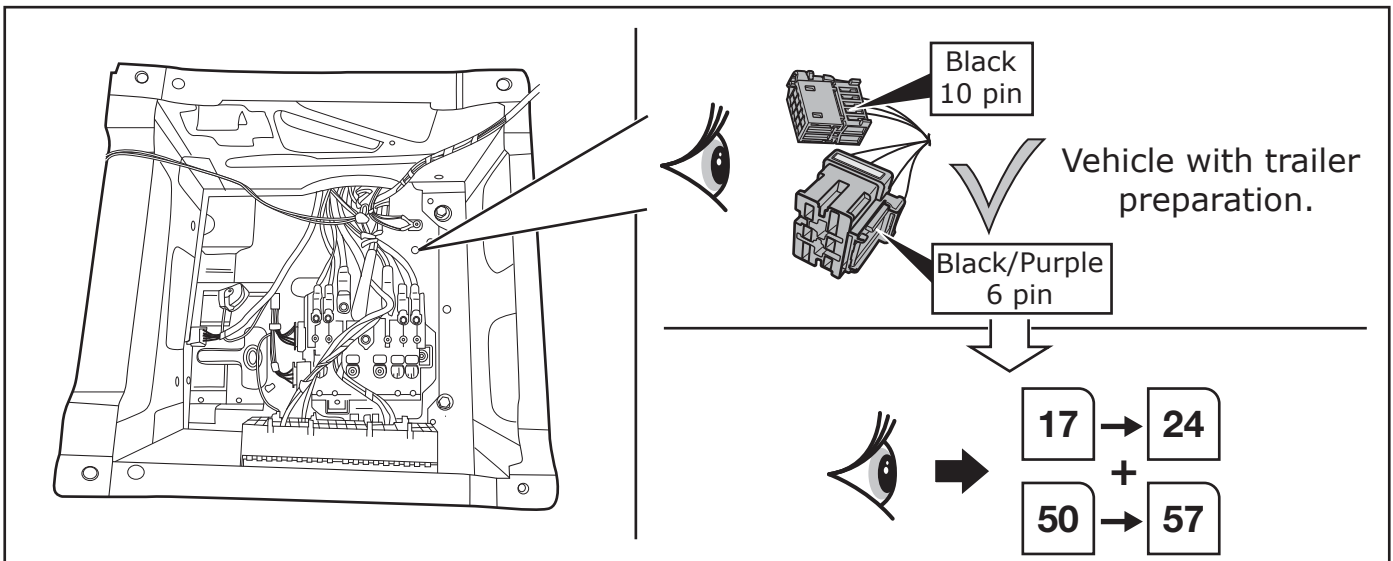
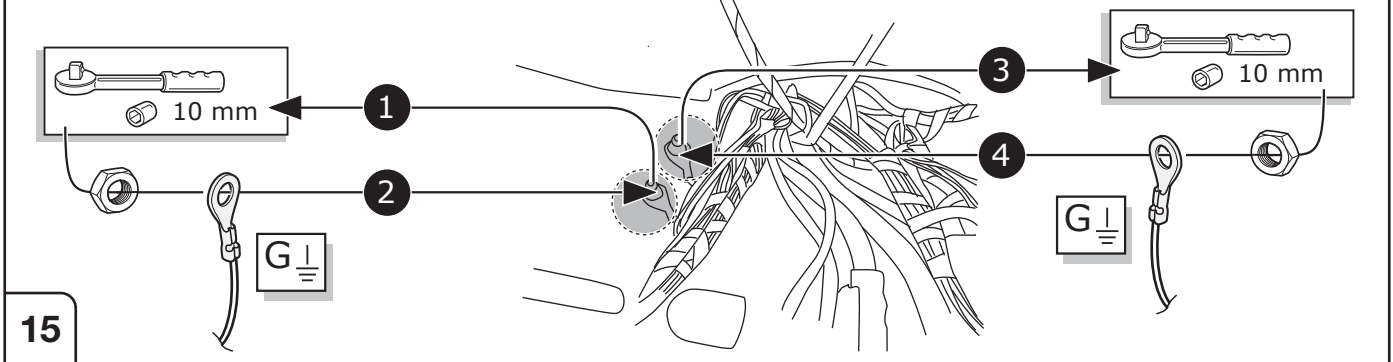
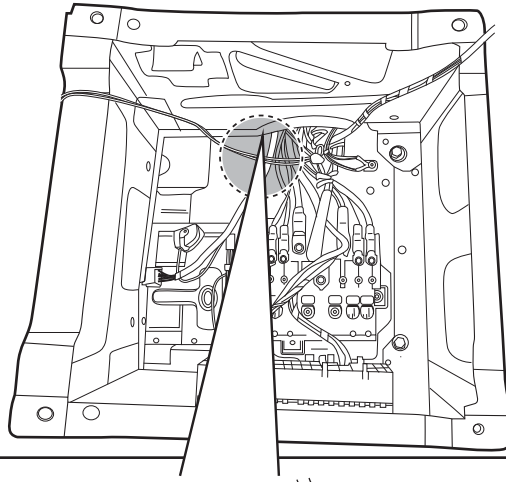
13



# Vehicle with and without trailer preparation.

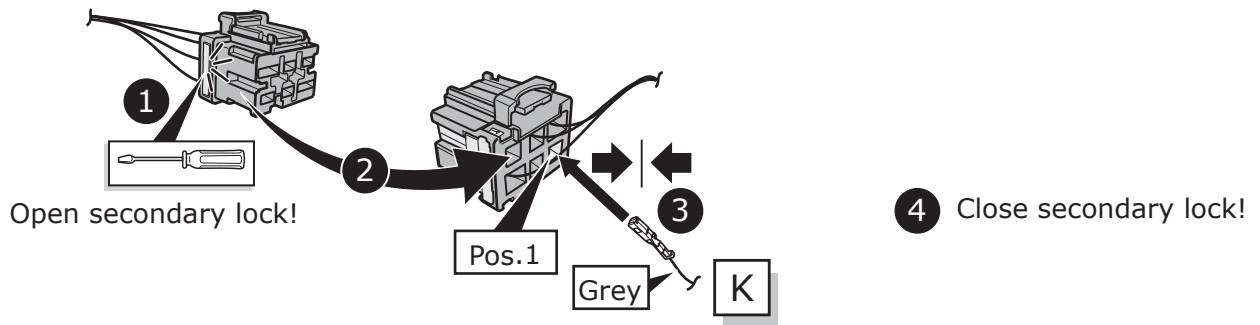


Vehicle with and without trailer preparation.



Vehicle with and without trailer preparation.

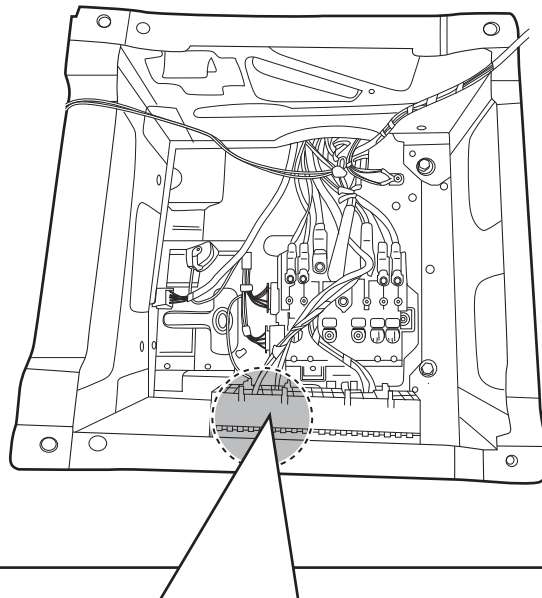
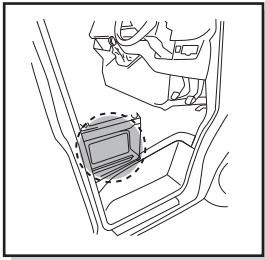
**Only if +15 required!**



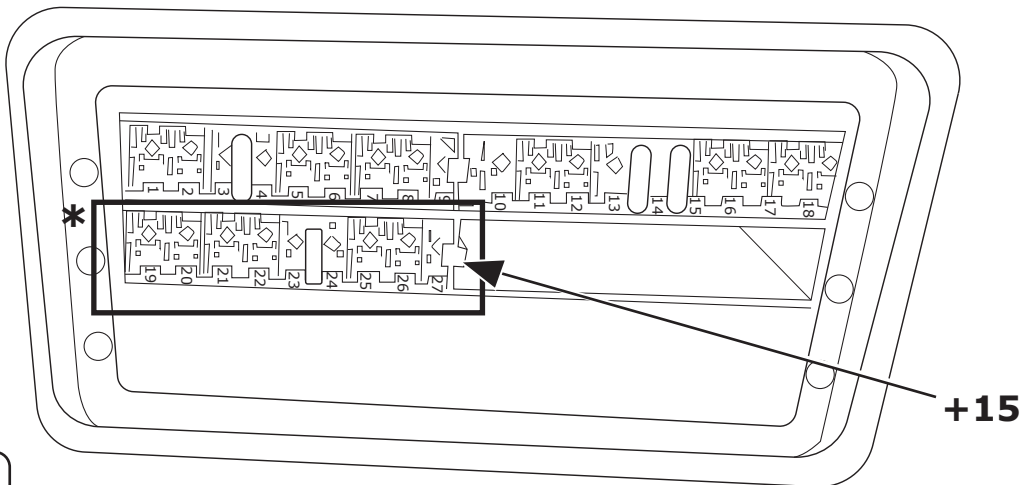
17

Vehicle with and without trailer preparation.

**Only if +15 required!**



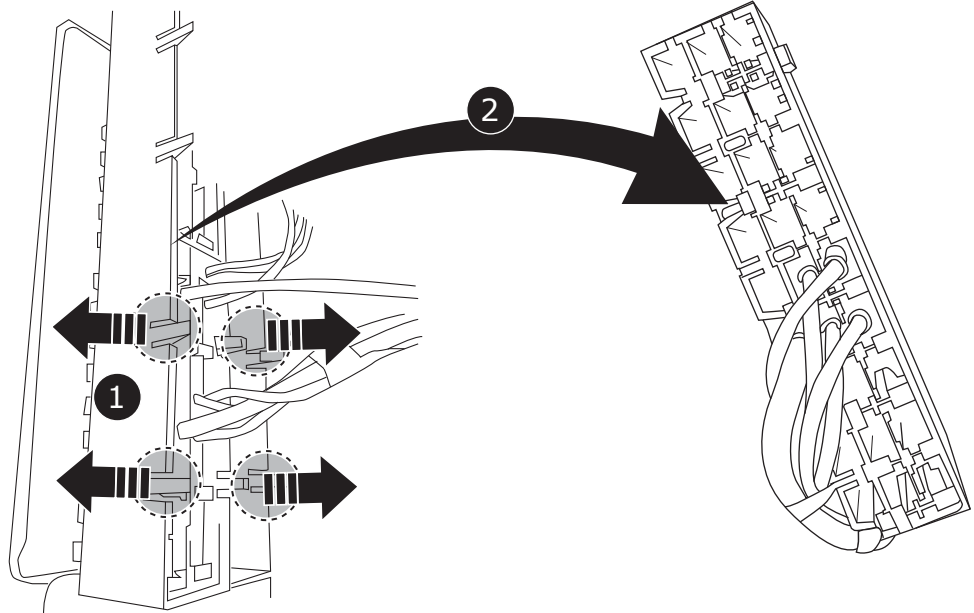
**\*If fuseholder 19-27 is not available order extension kit SP-135-ZZ!**



18

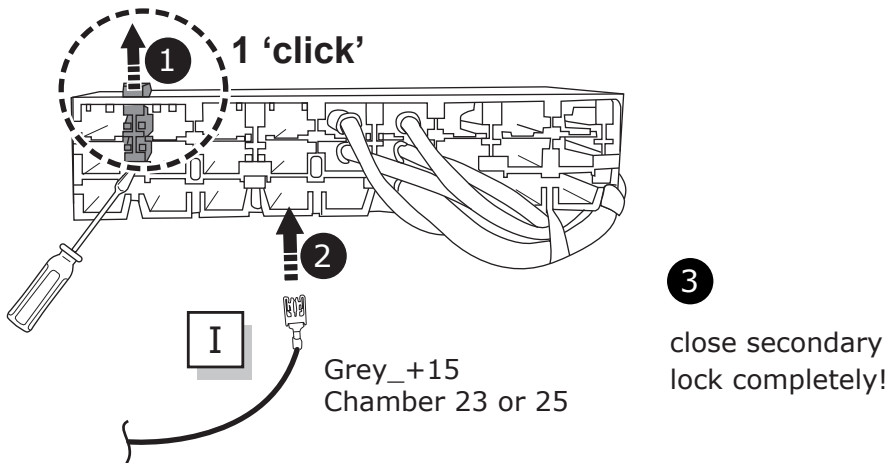
Vehicle with and without trailer preparation.

Only if +15 required!



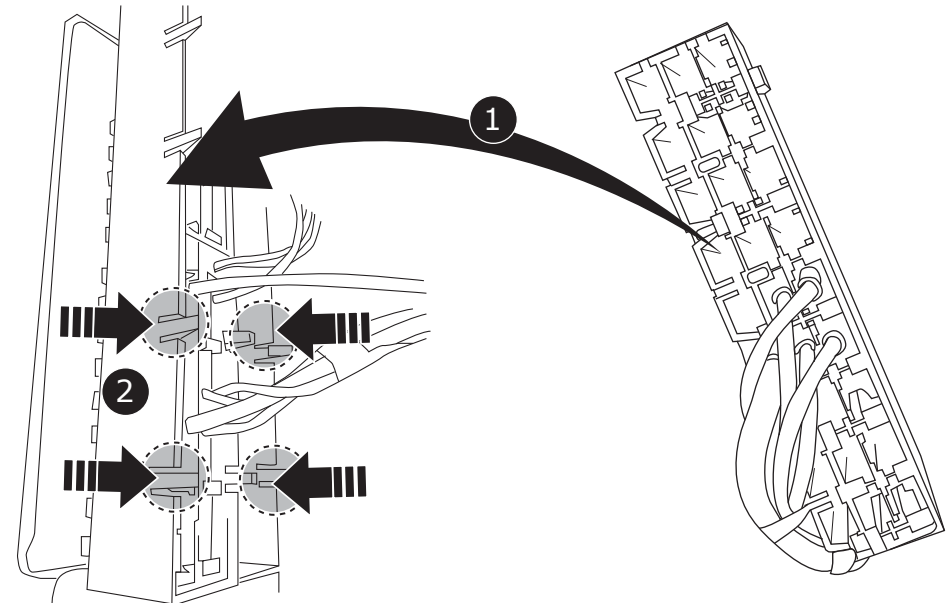
Vehicle with and without trailer preparation.

Only if +15 required!

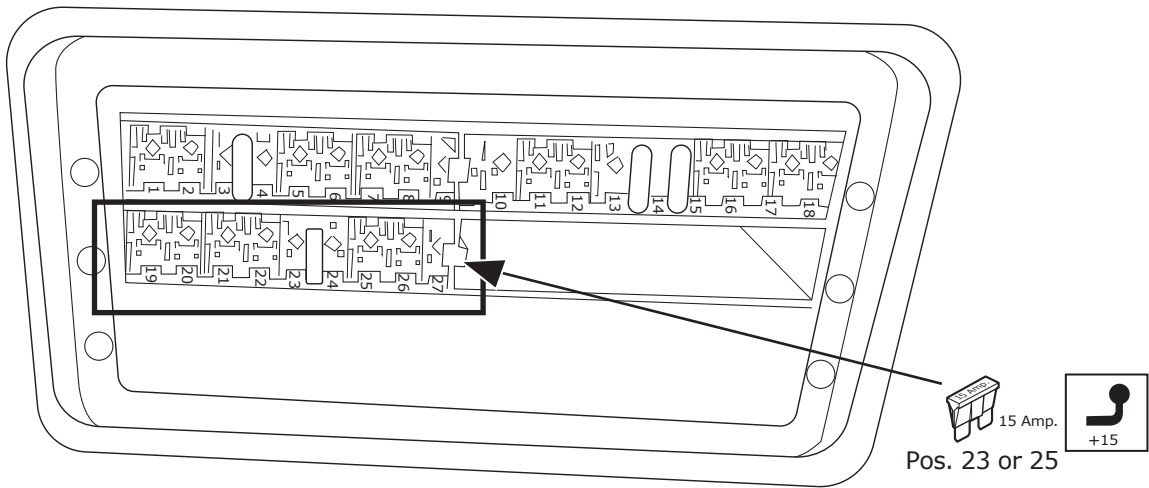


Vehicle with and without trailer preparation.

Only if +15 required!

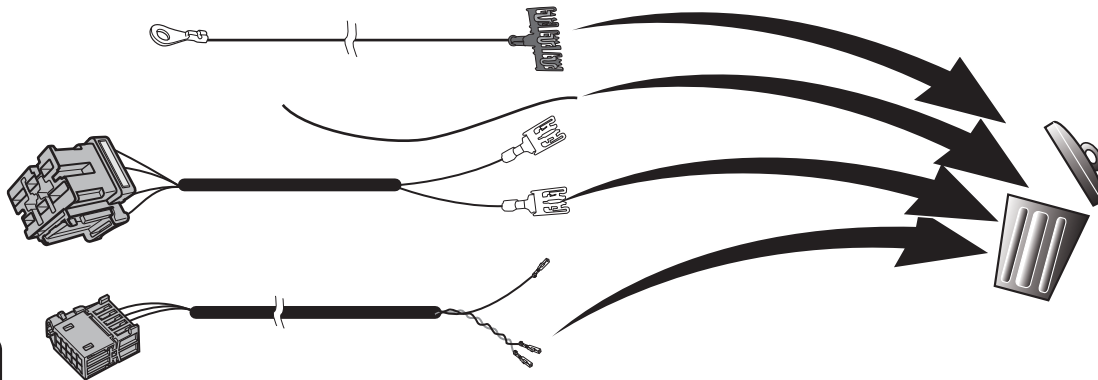


Vehicle with and without trailer preparation.



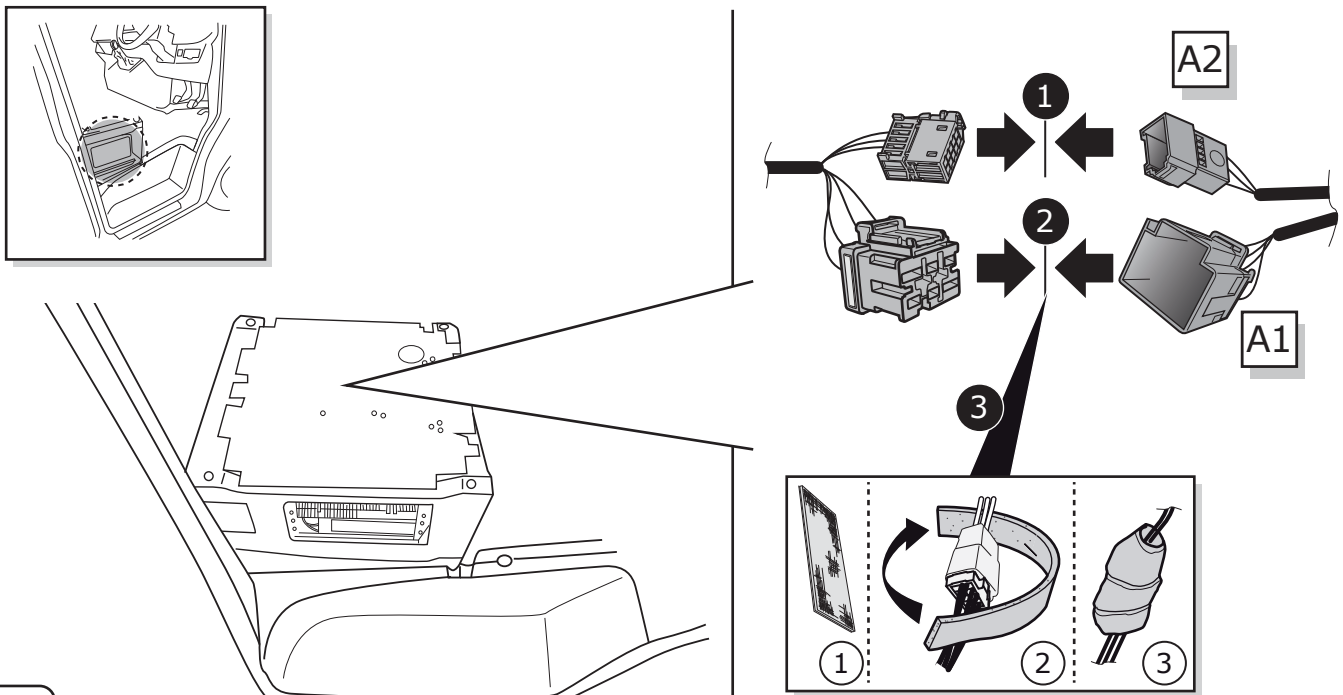
22

Vehicle with trailer preparation.



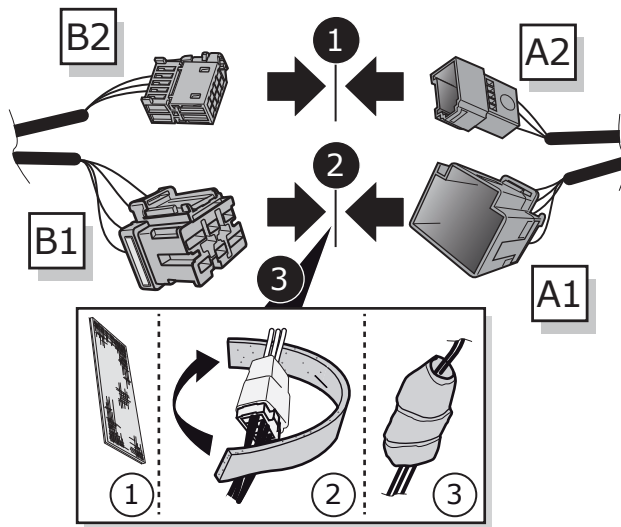
23

Vehicle with trailer preparation.



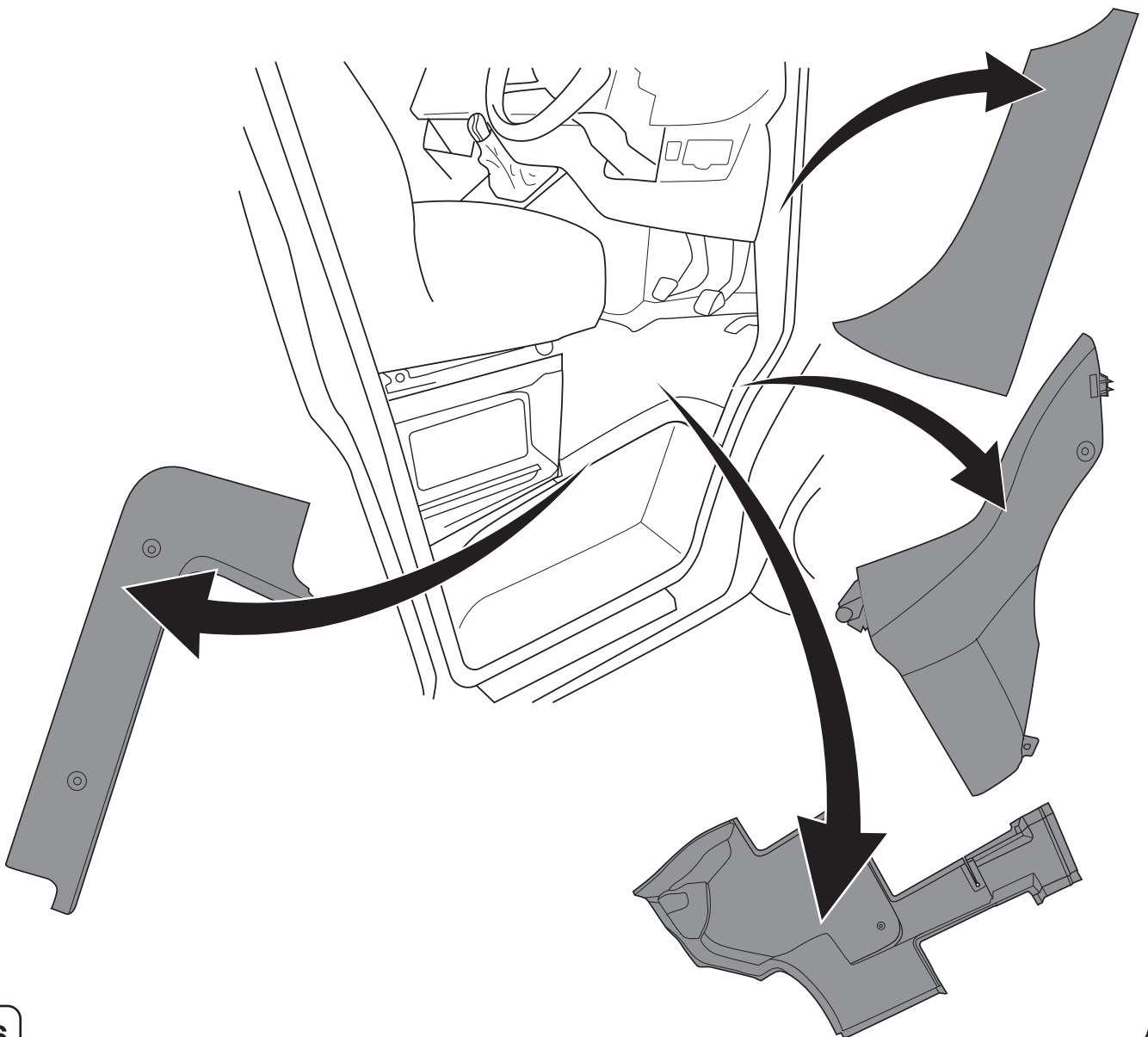
24

Vehicle without trailer preparation.



25

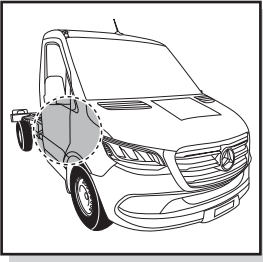
Vehicle without trailer preparation.



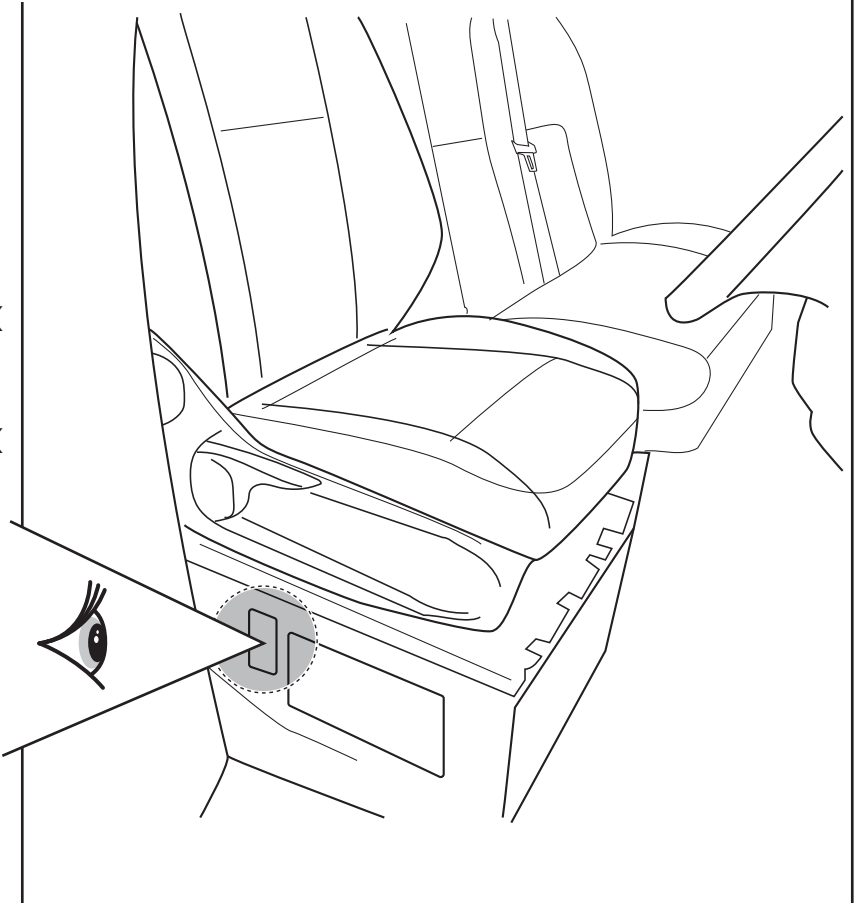
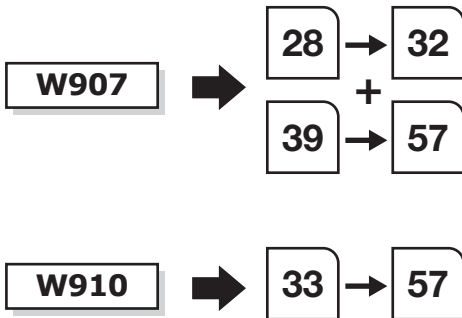
26



Vehicle without trailer preparation.

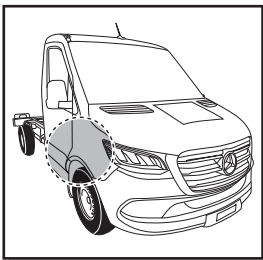


WDB907XXXXXXXXXX  
or  
WDB910XXXXXXXXXX

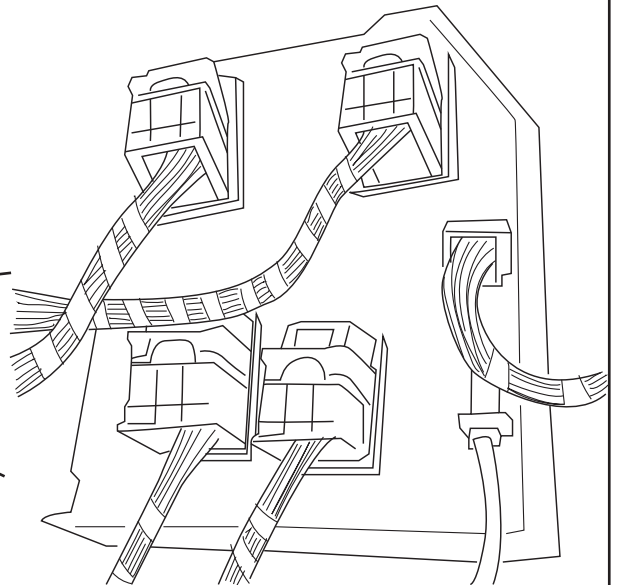
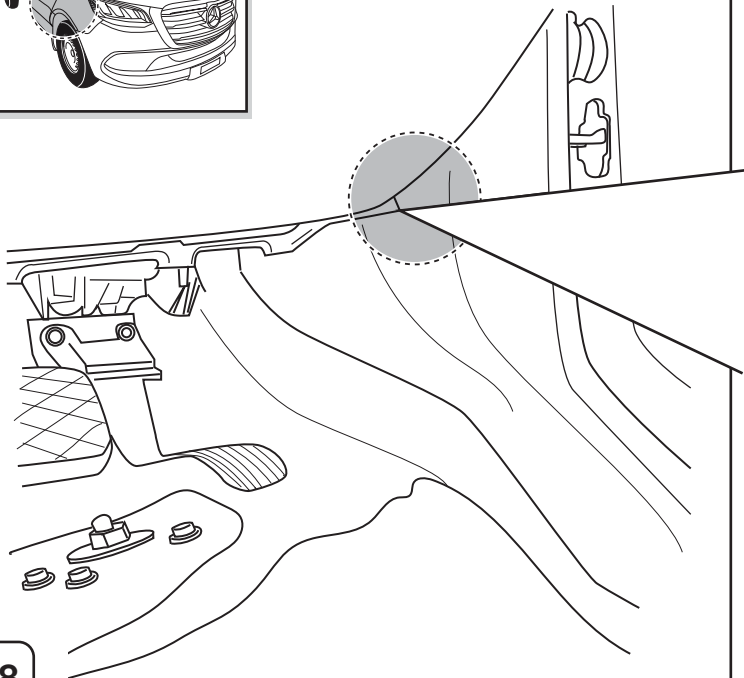


27

Vehicle without trailer preparation.



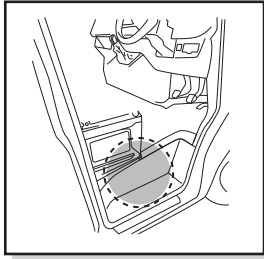
**W907**  
Location SAM/BCM



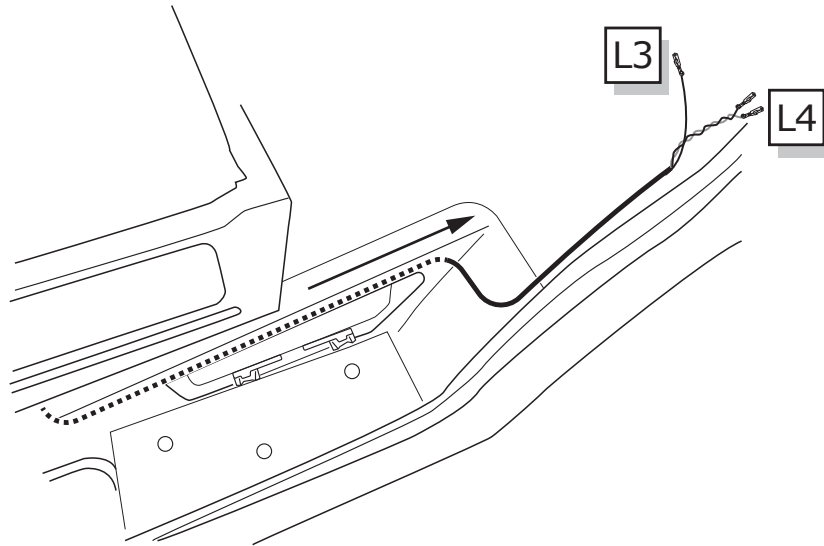
28



Vehicle without trailer preparation.

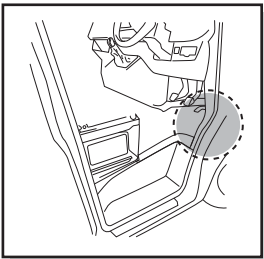


W907

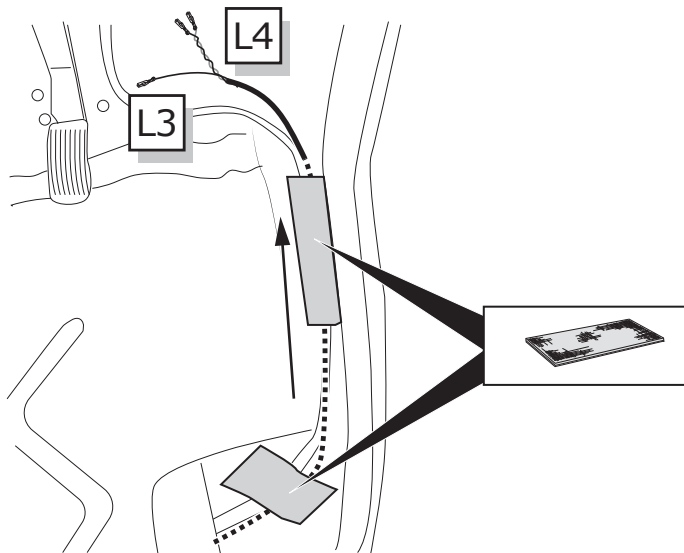


29

Vehicle without trailer preparation.

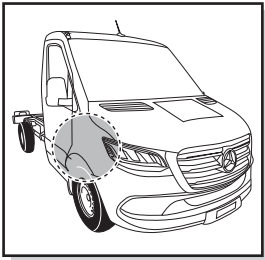


W907

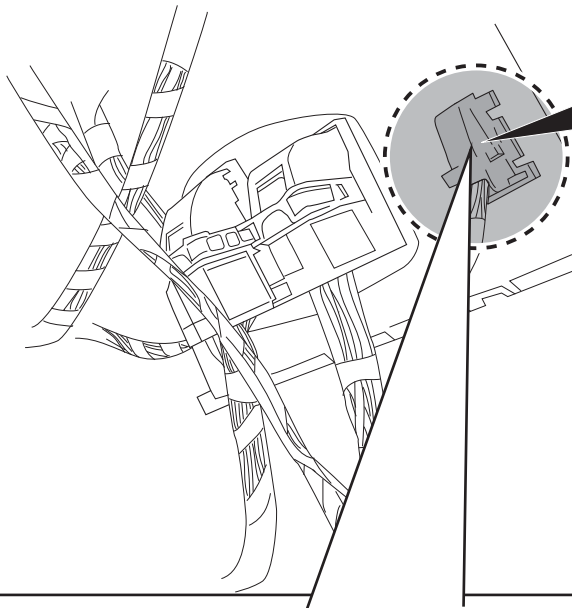


30

Vehicle without trailer preparation.

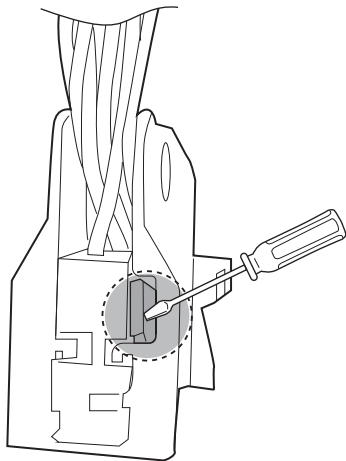


**W907**

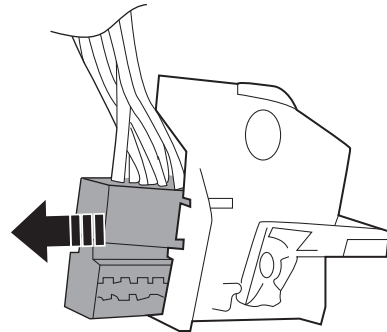


White, 20-pin  
 ← | →

**1**



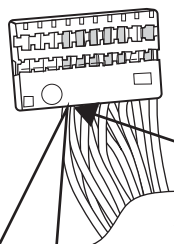
**2**



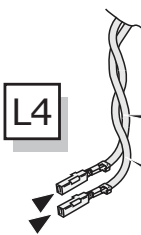
**31**

Vehicle without trailer preparation.

**W907**



Can-bus  
Datawire




**CAN L**    Brown    CH. 6

**CAN H**    Brown/Red    CH. 16

**32**



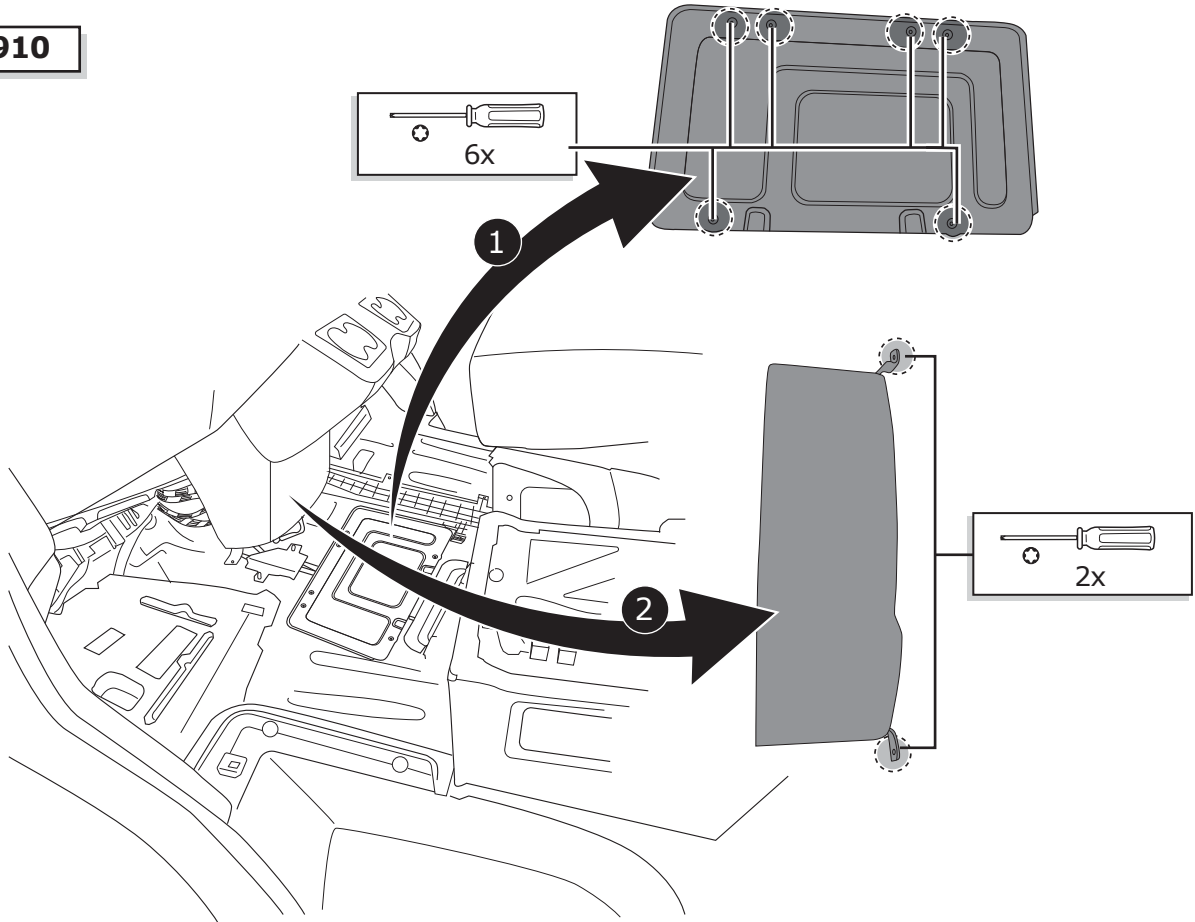
**L3**

 Blue/Red    CH. 1



Vehicle without trailer preparation.

**W910**

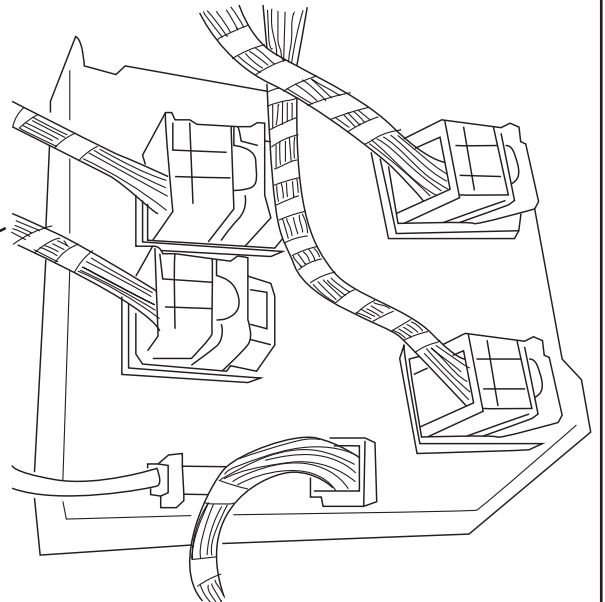
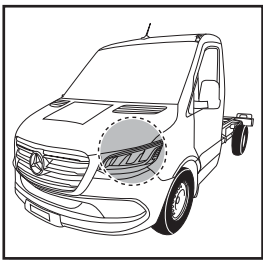


33

Vehicle without trailer preparation.

**W910**

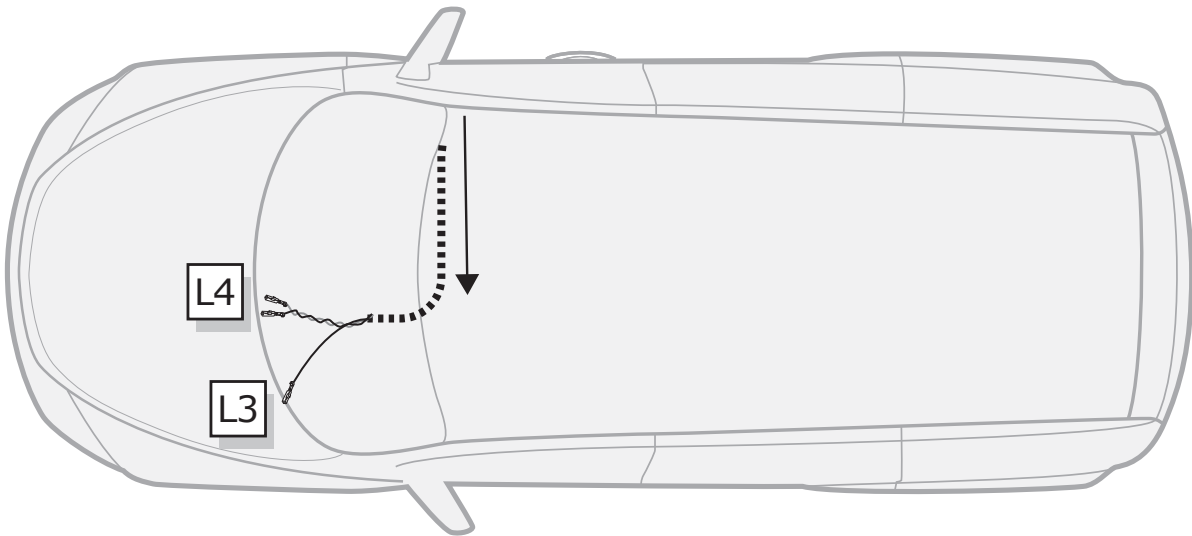
Location SAM/BCM



34

Vehicle without trailer preparation.

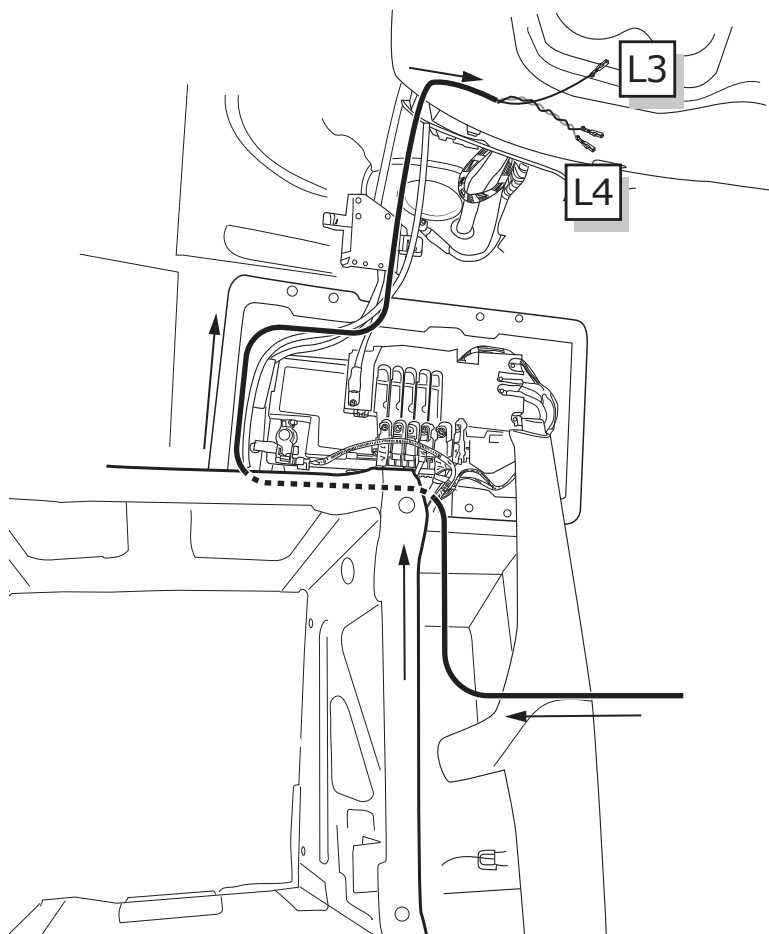
W910



35

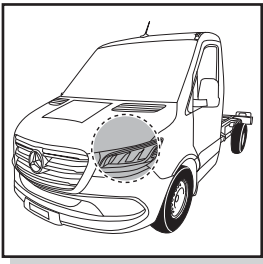
Vehicle without trailer preparation.

W910

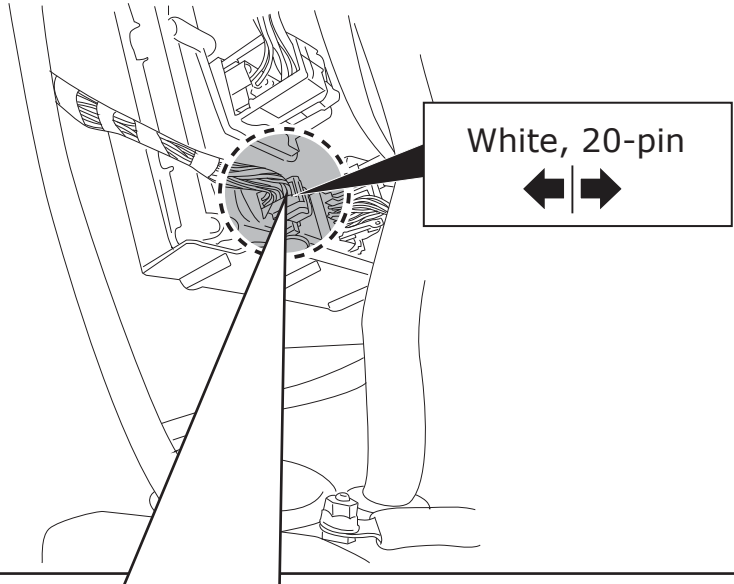


36

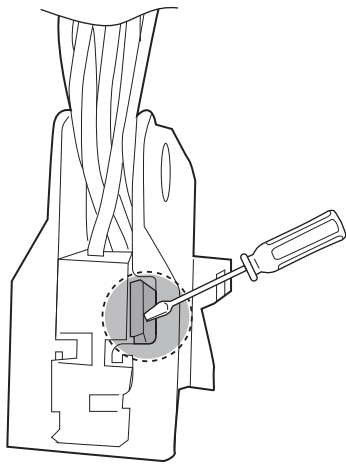
Vehicle without trailer preparation.



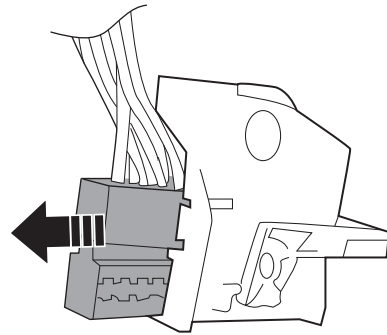
**W910**



**1**



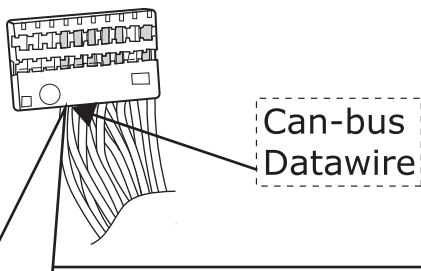
**2**



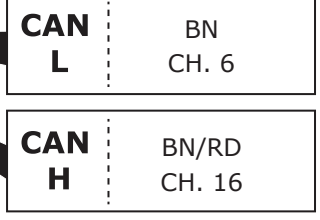
**37**

Vehicle without trailer preparation.

**W910**



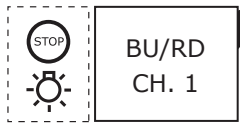
**L4**



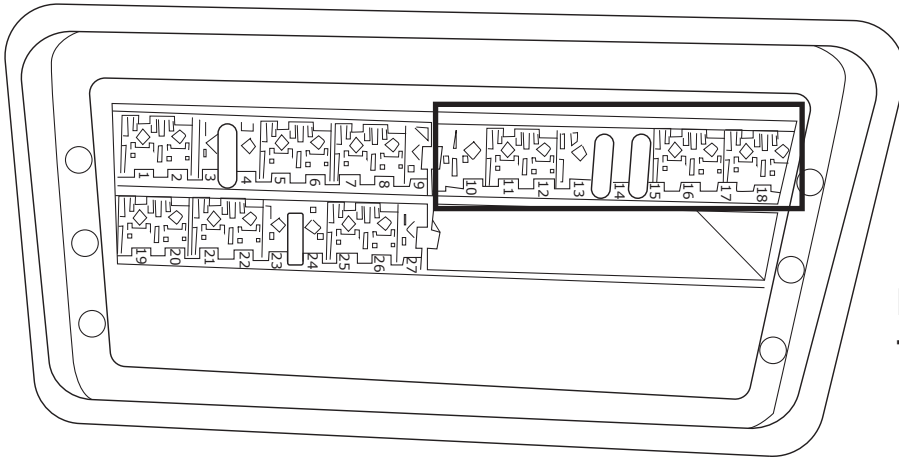
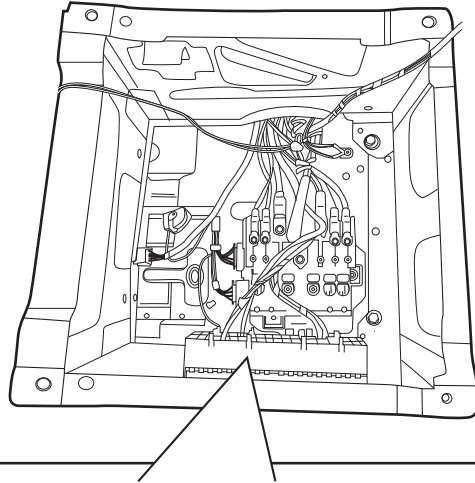
**38**



**L3**



Vehicle without trailer preparation. All models



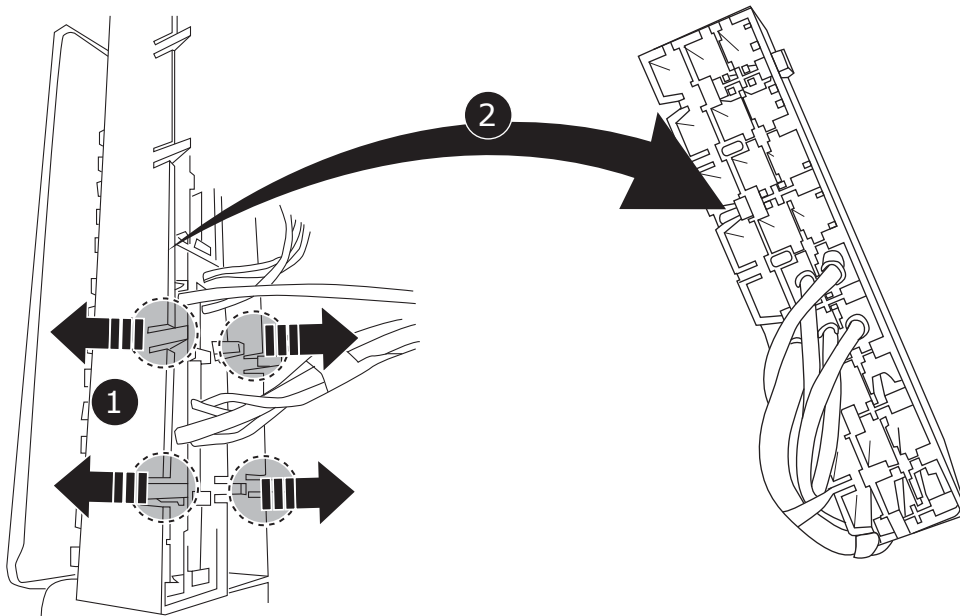
If there is no fuseholder available



39

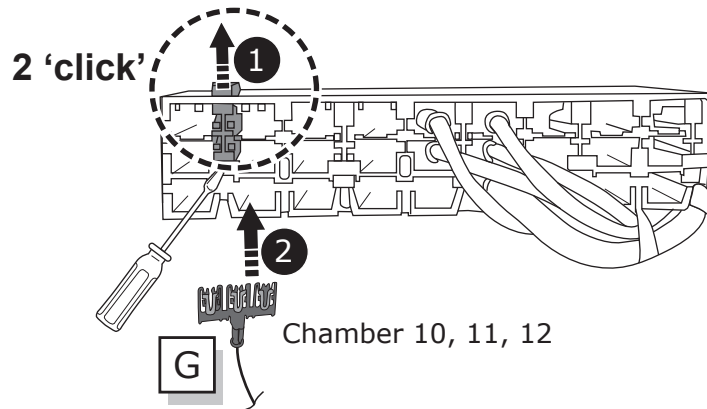
Consult your supplier.

Vehicle without trailer preparation.



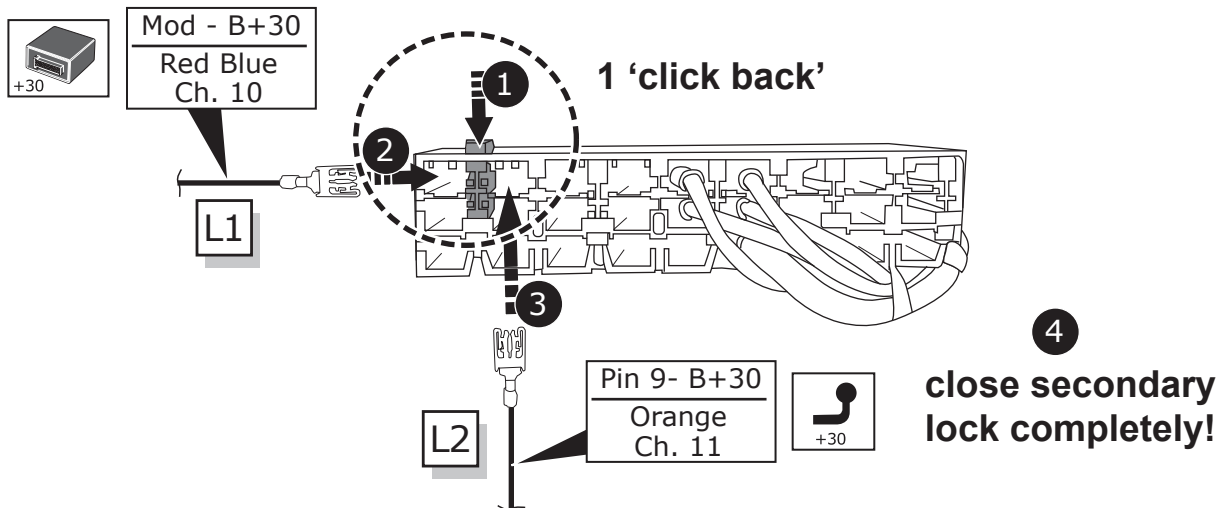
40

Vehicle without trailer preparation.



41

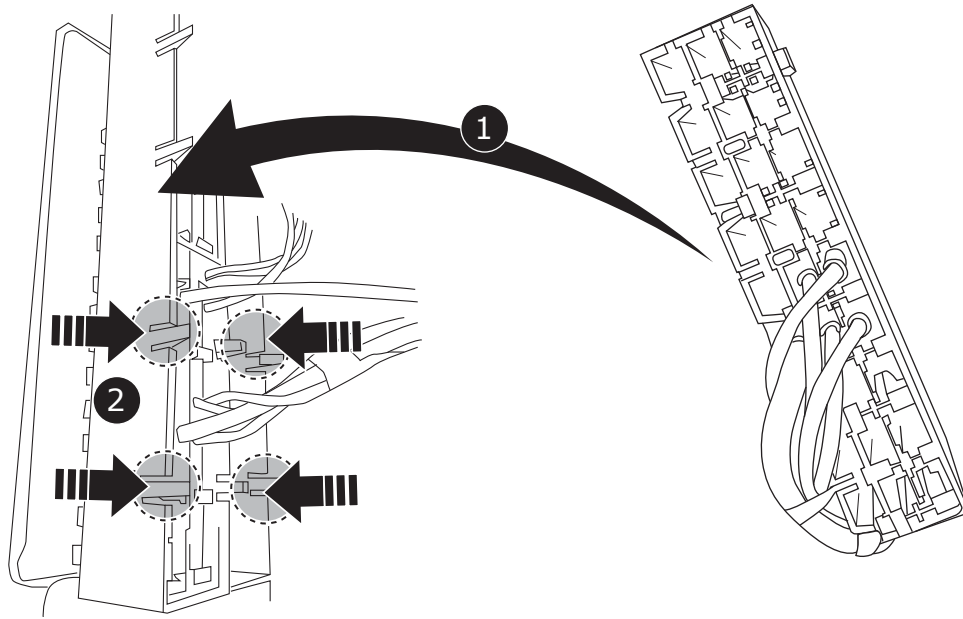
Vehicle without trailer preparation.



42

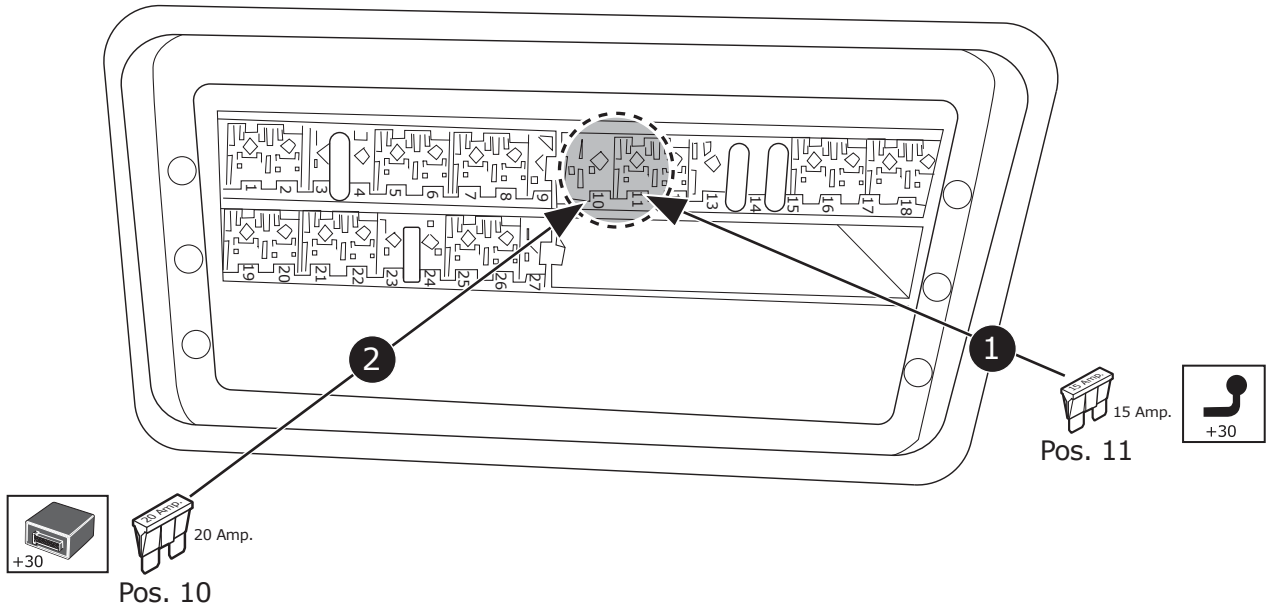


Vehicle without trailer preparation. All models



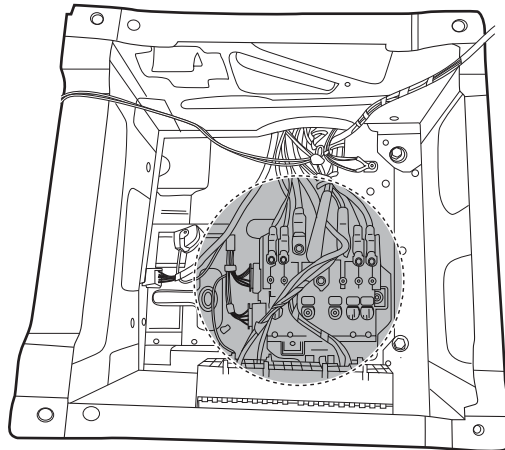
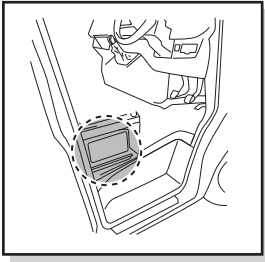
43

Vehicle without trailer preparation.



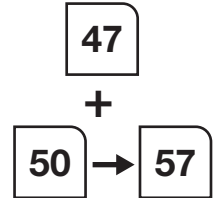
44

Vehicle without trailer preparation. All models



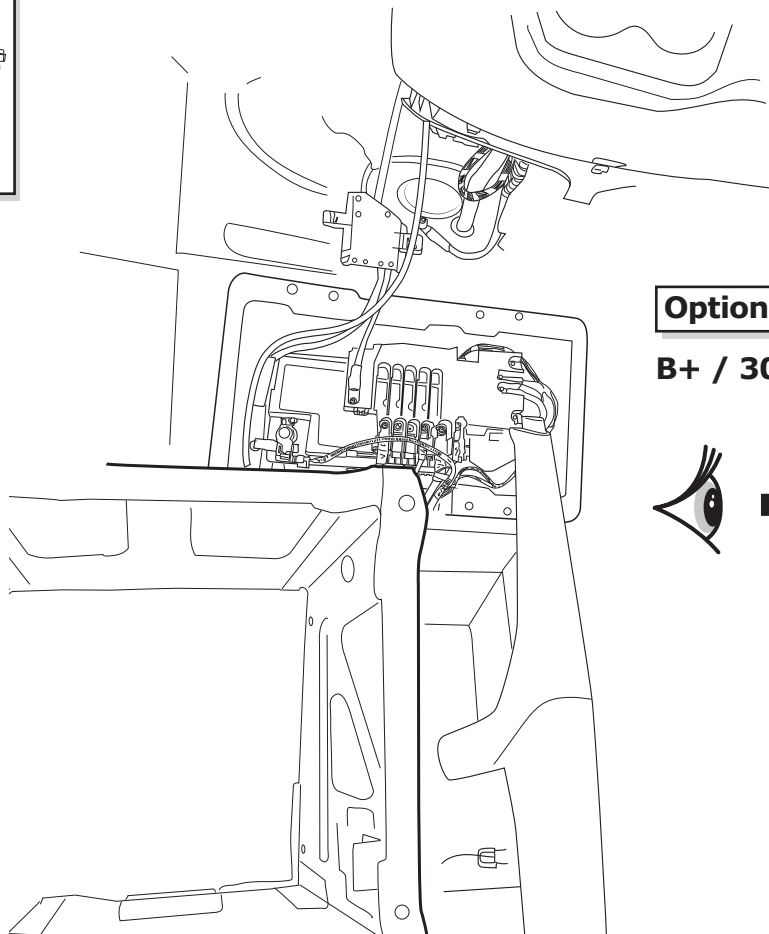
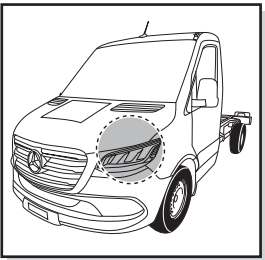
**Option A**

**B+ / 30**



45

Vehicle without trailer preparation. All models



**Option B**

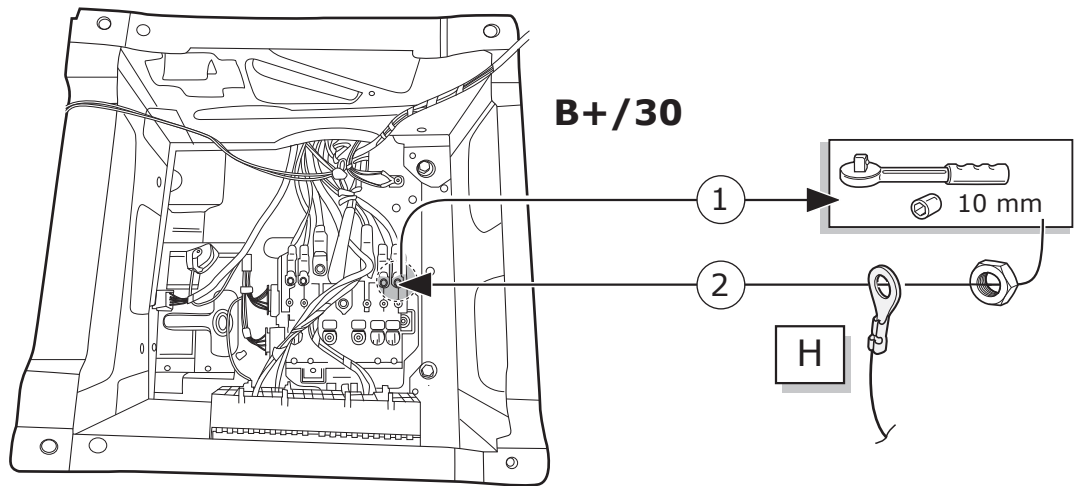
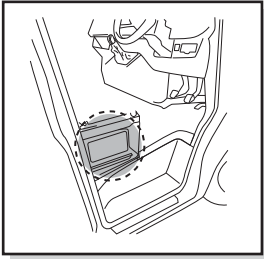
**B+ / 30**



46

Vehicle without trailer preparation. All models

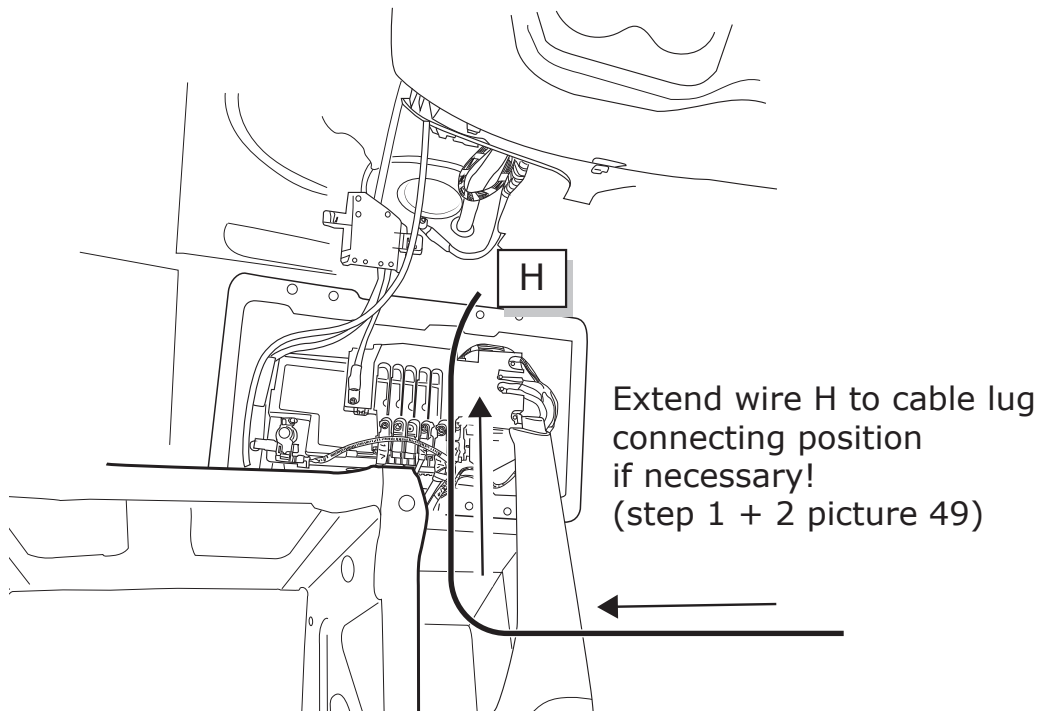
**Option A**



47

Vehicle without trailer preparation. All models

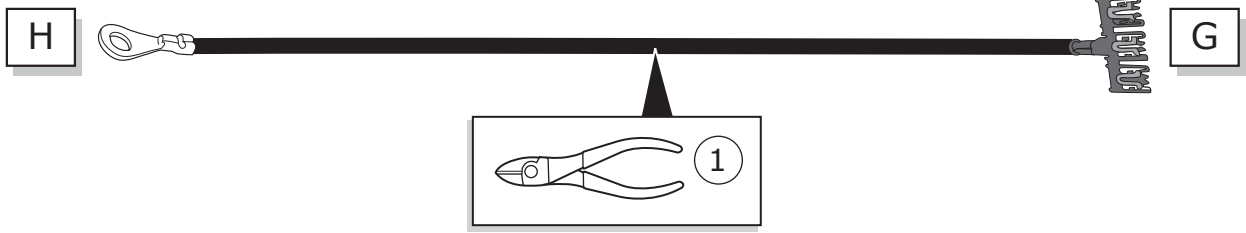
**Option B**



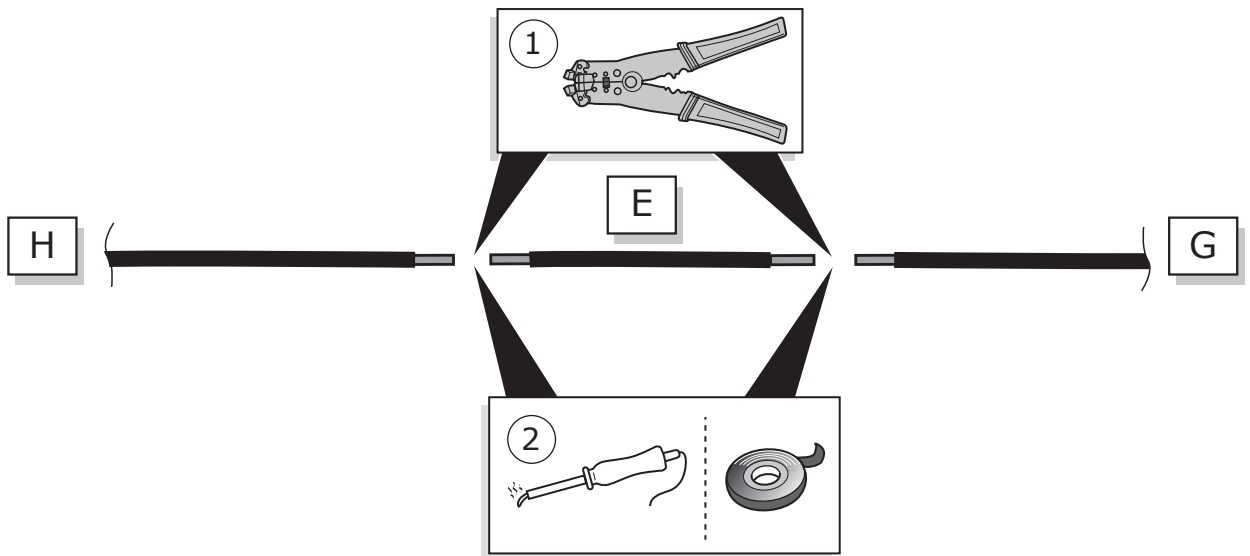
48

**Option B**

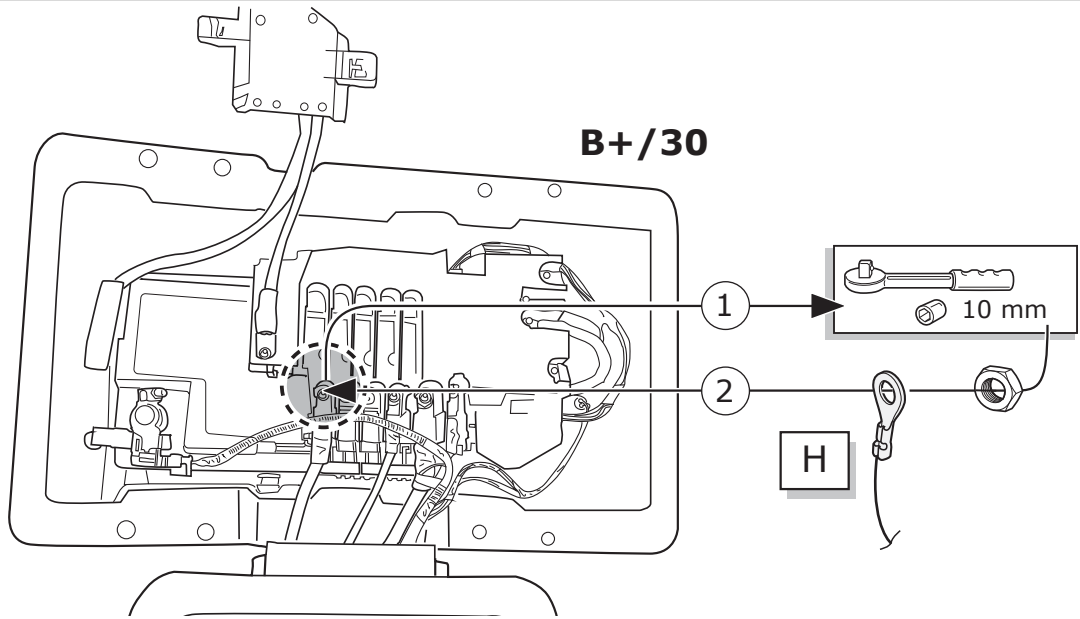
1



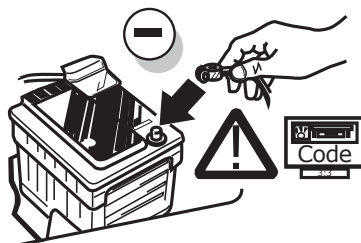
2



3

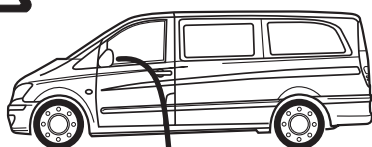


49



50

## Set up trailer operation



### General

After the installation of the electric kit, the obligatory trailer lighting, Towing vehicle and trailer stabilisation, as well as the trailer indicator control which is statutory in a several countries are guaranteed without having to make any connections on the vehicle!

### NOTE:

In order for the rear fog light to cut-o automatically on the towing vehicle whilst a trailer/bike rack has been connected, diagnostic programming of the extended trailer functions together with optional assistance systems must be performed. Please proceed with the coding as follows:

### Step 1:

Supplement optional extras via „Input for retrofit and conversions“:

Add special equipment codes:

- + **Q10** cross member for trailer hitch (trailer load up to 2t)
- + **Q22** ball head fixed
- + **Q50** ball head removable
- + **QA0** trailer hitch screwed for 2,8t trailer load
- + **QA7** trailer hitch for increased trailer load 3.5t
- + **QA8** trailer hitch fixed for increased hitch load (2.8t / 3.0t GVWR)
- + **E40** trailer socket 7 pin
- + **E43** trailer socket 13 pin

Remove existing optional extras code **E57** (electrics for trailer socket)

### Step 2:

1. Connect STAR DIAGNOSIS to car
2. Start program
3. Click "Controllers View"
4. code installed control units as follows:
  - a. Click e.g. "**EZS**" (Ignition)
  - b. Click "Adjust"
  - c. On the left side:
    - click updating SCN encoding
  - d. Go online a wait a few seconds
5. Perform the operation with all the control units listed below:

- "**EZS**" (Ignition)
- "**SAM**" (Signal detection- and control modul).
- "**combined instrument**"
- "**ESP**" (Electronic Stability Program)
- "**CPC**" (Control Unit "Powertrain")

if fitted:

- "**AUDIO**" (car radio)
- "**PTS**" (Parktronic)
- "**reversing camera**"

► Coding finished

51

All Models

Optional



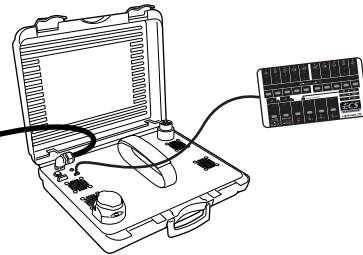
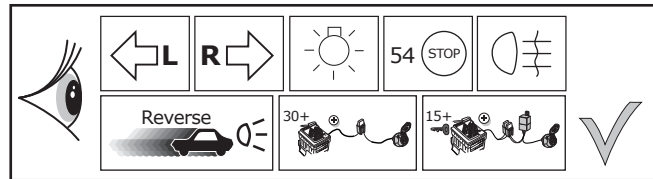
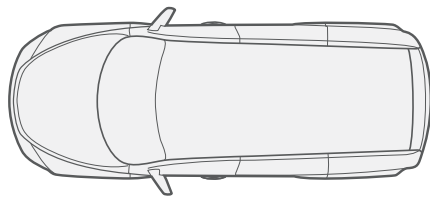
Consult your supplier.



Trailer Simulator for 7- and 13-pin Sockets

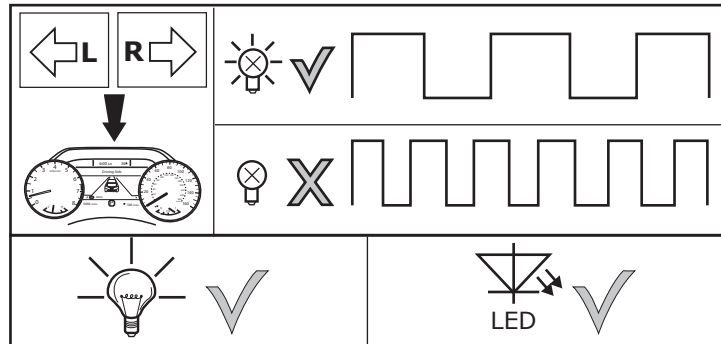
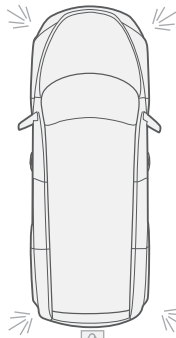
52

All Models



53

All Models

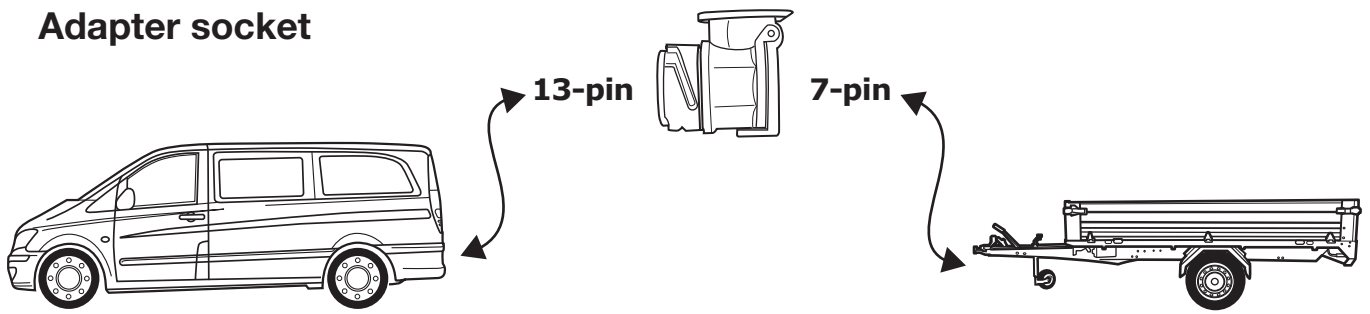


54

All Models

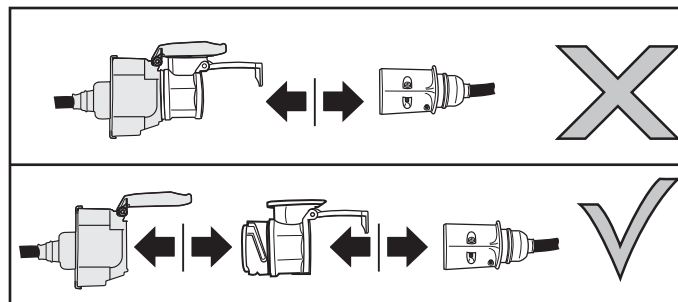
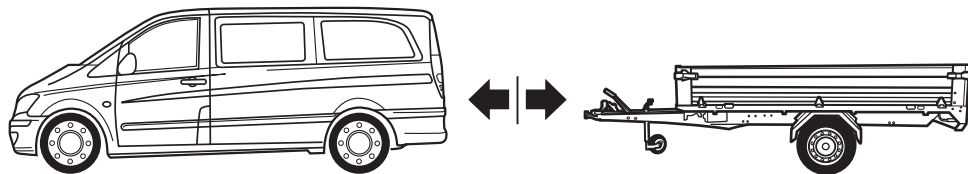
**Optional**

**Adapter socket**



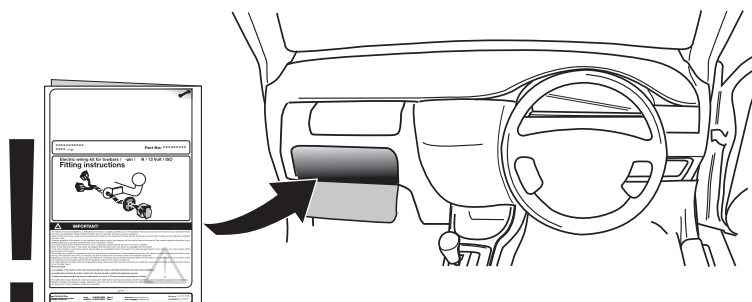
55

All Models



56

All Models



57