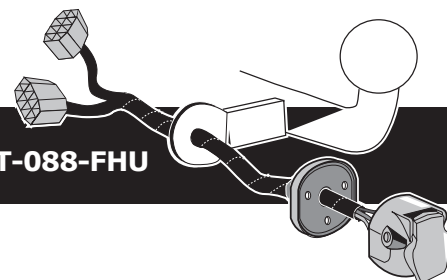


**Mitsubishi Outlander 2007-  
Peugeot 4007 2007-  
Citroën C. Crosser 2007-**

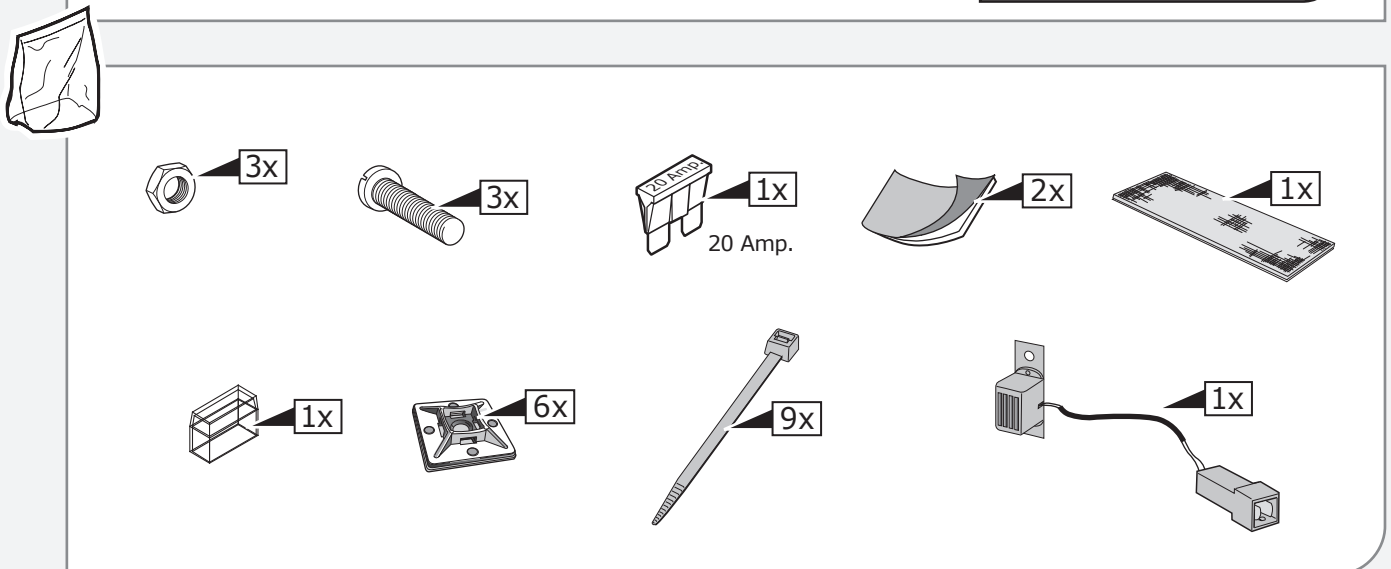
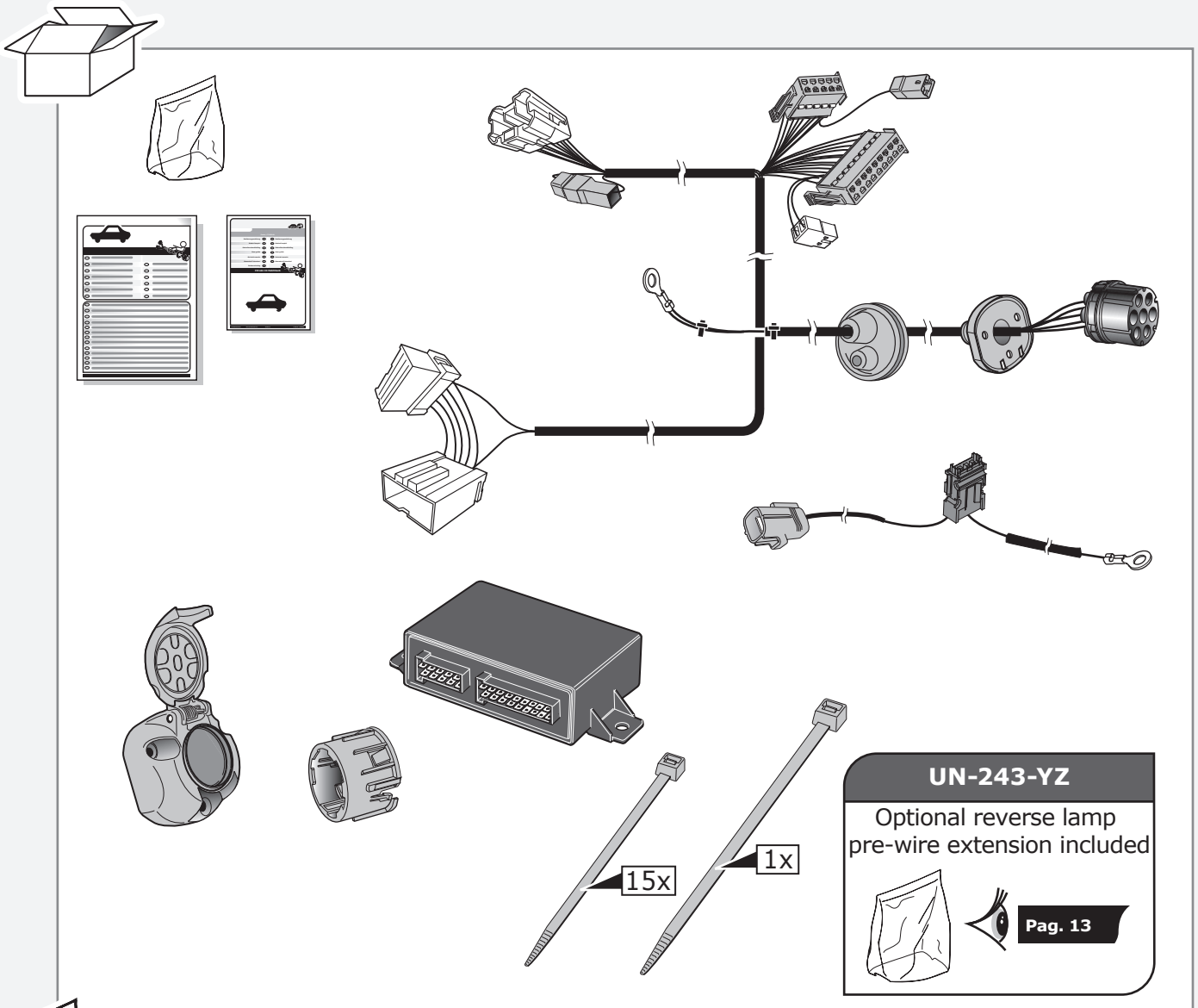
**Partnr.: MT-088-FHU**



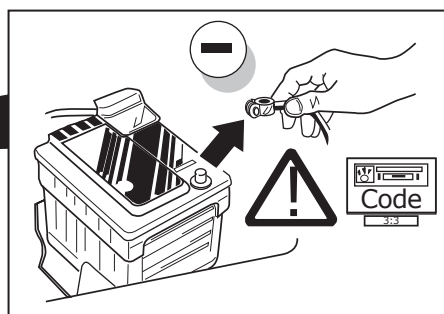
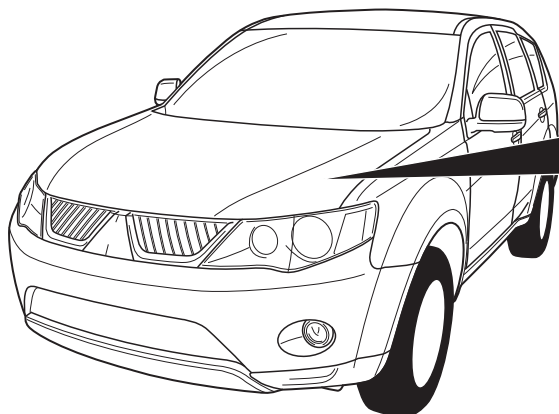
- Fitting instructions electric wiring kit tow bar with 12-N socket up to DIN/ISO Norm 1724.
- We would expressly point out that assembly not carried out properly by a competent installer will result in cancellation of any right to damage compensation, in particular those arising by virtue of the product liability act.
- Contents of these kits and their fitting manuals are subject to alteration without notice, please ensure that these instructions are read and fully understood before commencing installation.
- Do not overload circuits; the maximum loads per connection are detailed in this manual.
- Attention! Before Installation, please read this manual carefully and inform your customer to consult the vehicle owners manual to check for any vehicle modifications required before towing.
- In the event of functional problems, troubleshooting must be limited to about 0.5 hours, contact the technical support:  
[t.skinner@ecs-electronics.com](mailto:t.skinner@ecs-electronics.com) / 07440 202 052.



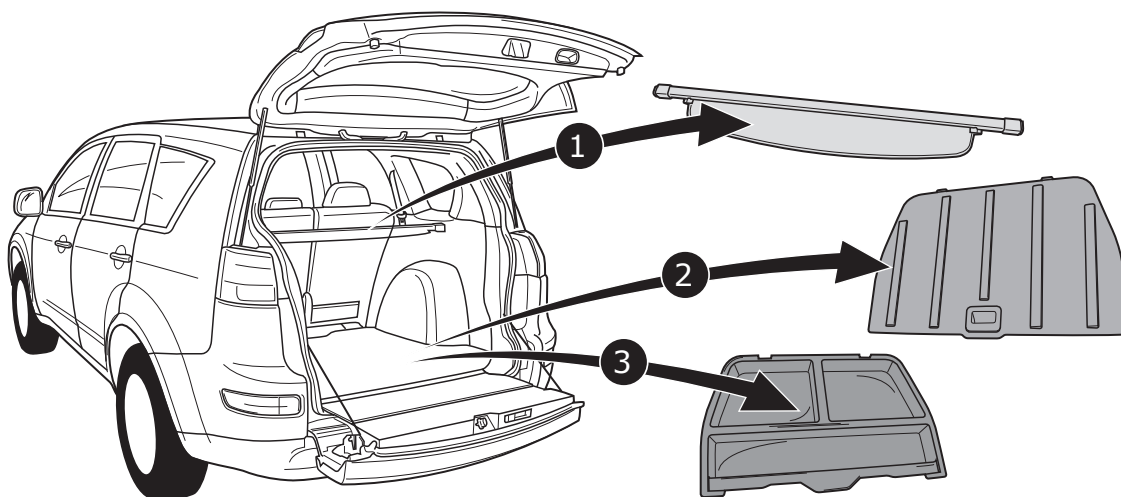
# Part list



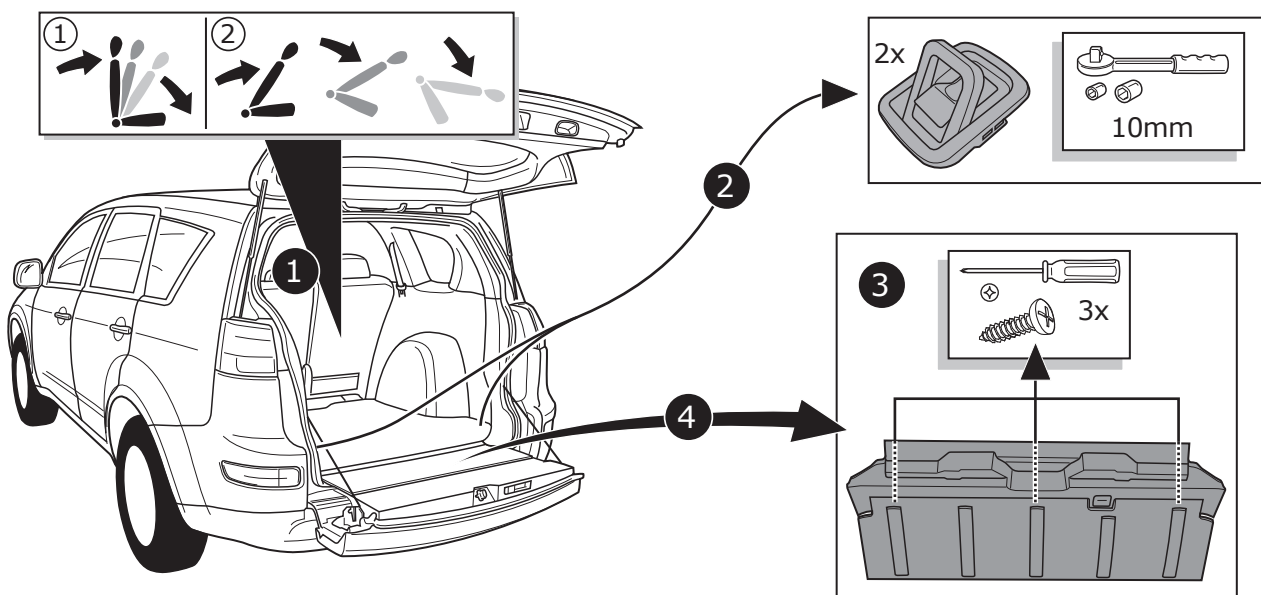
1



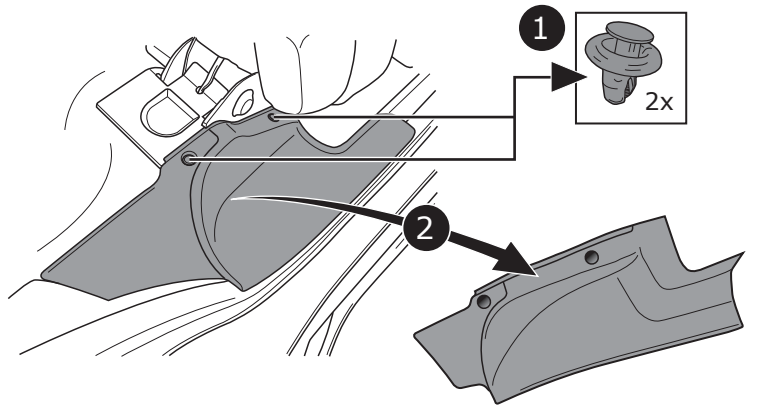
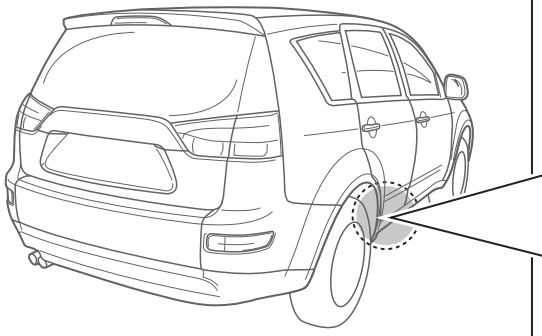
2



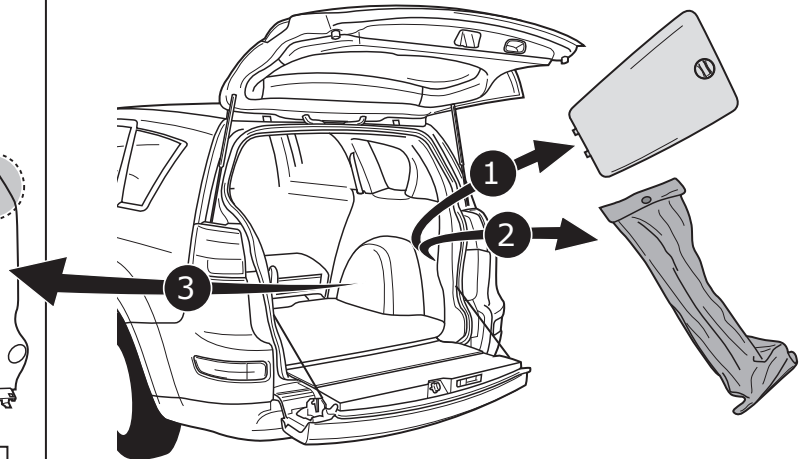
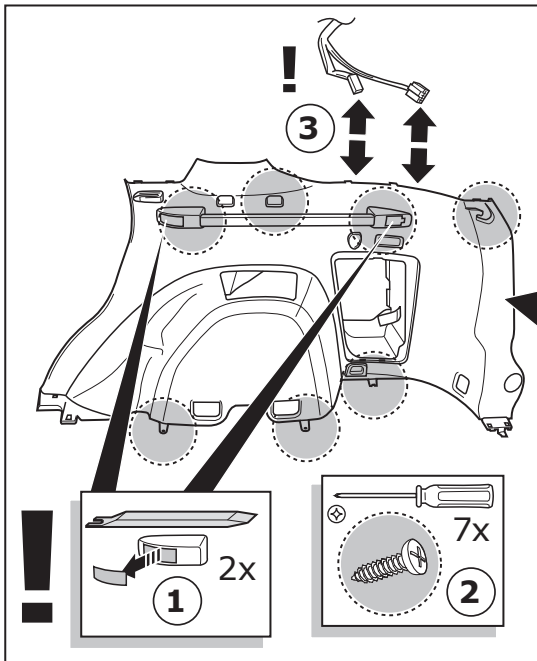
3



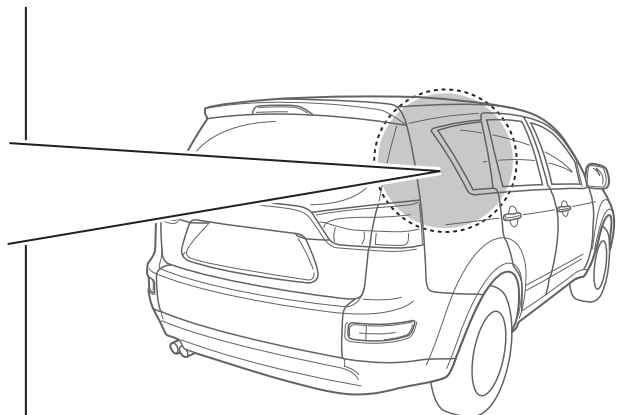
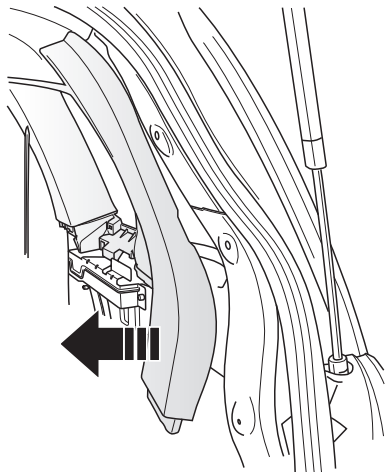
4



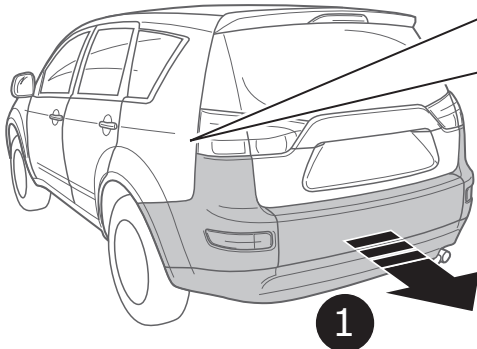
5



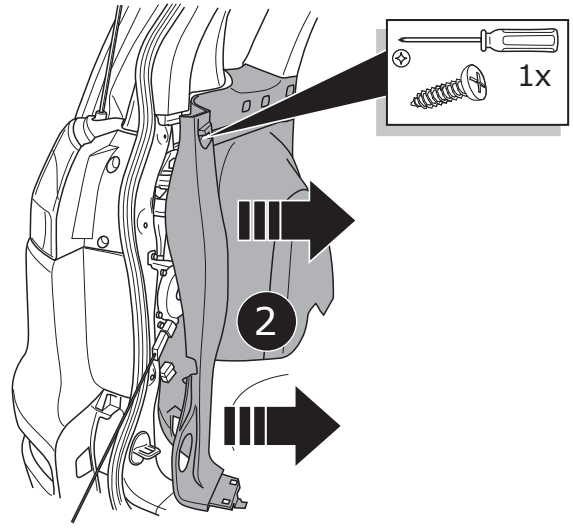
6



7

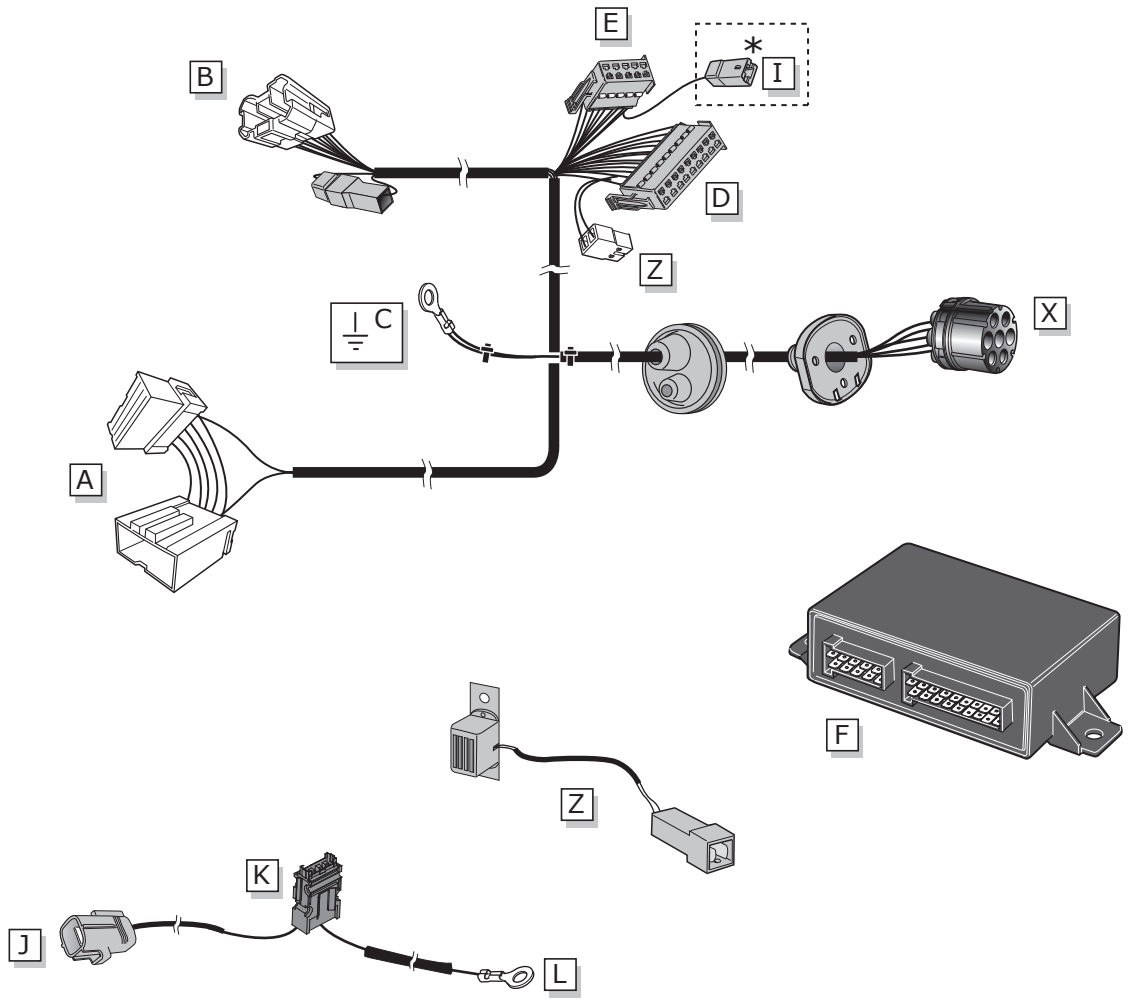


1



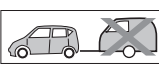
2

INFO



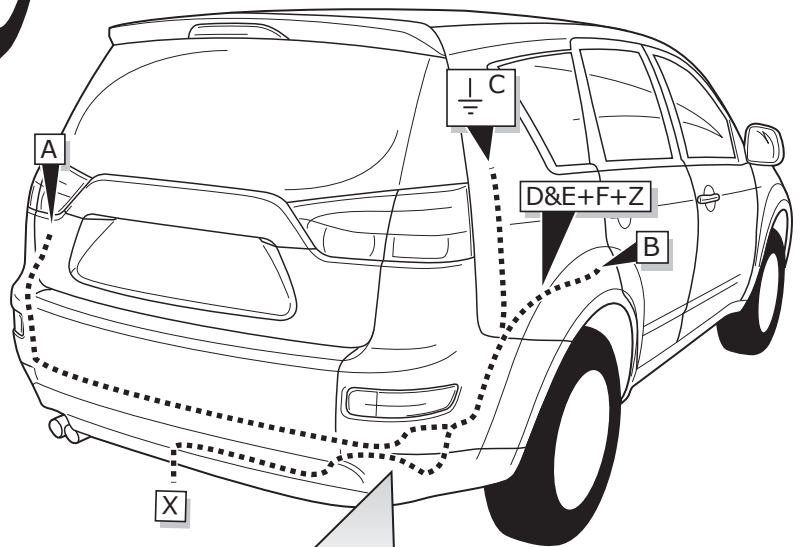
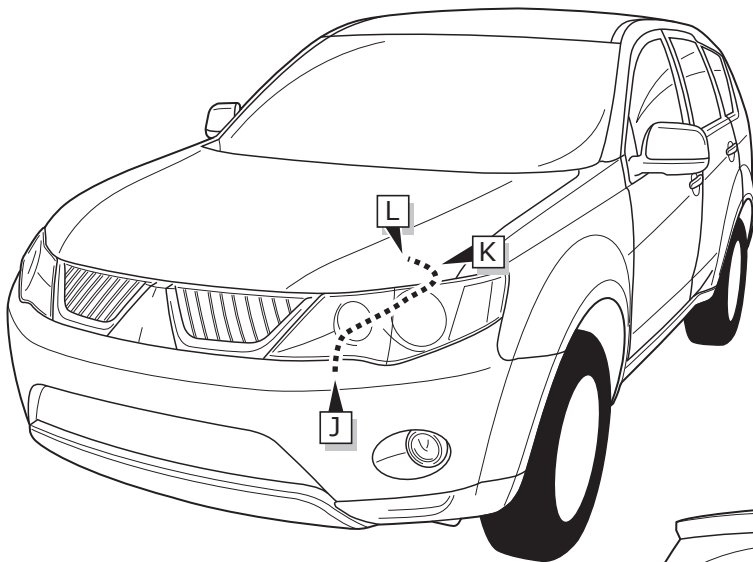
Option!

1	3	5
2	4	R

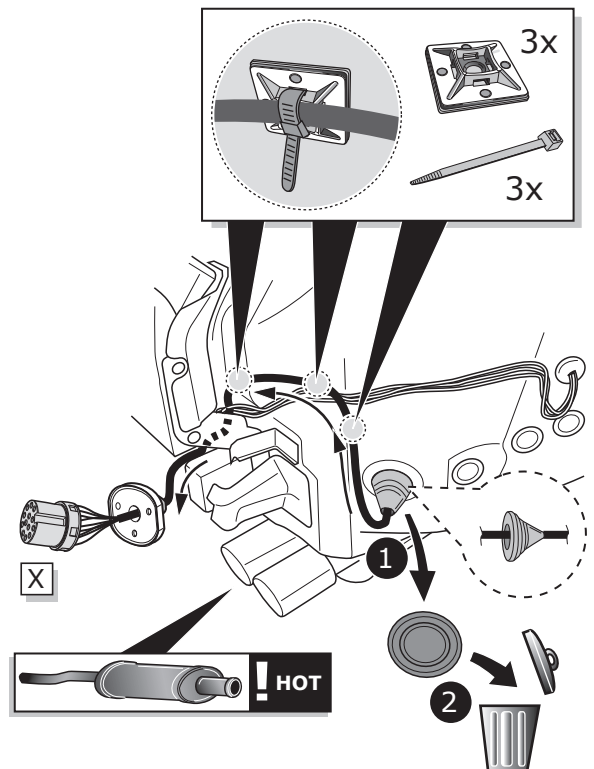
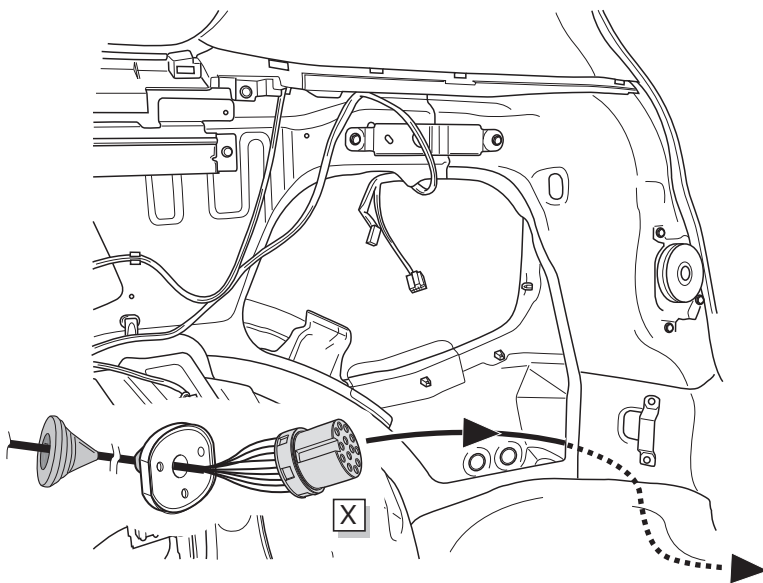
+  = 12V / Max. 500 m Amp.  
(Option Park Distance Control)

**I \***

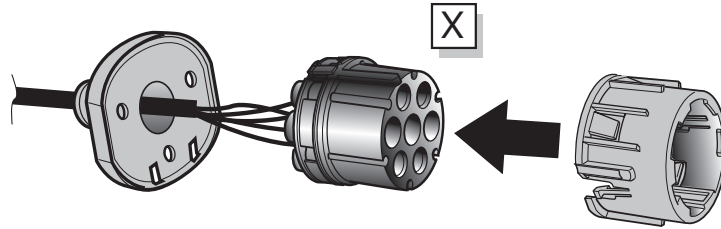
**ROUTING**



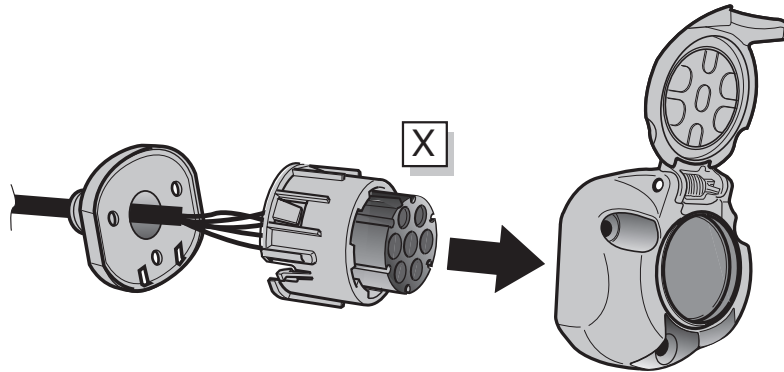
**8**



A



B



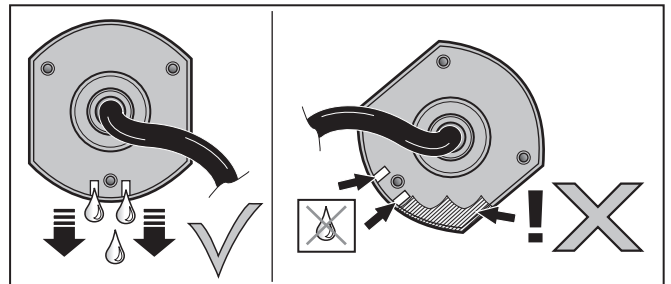
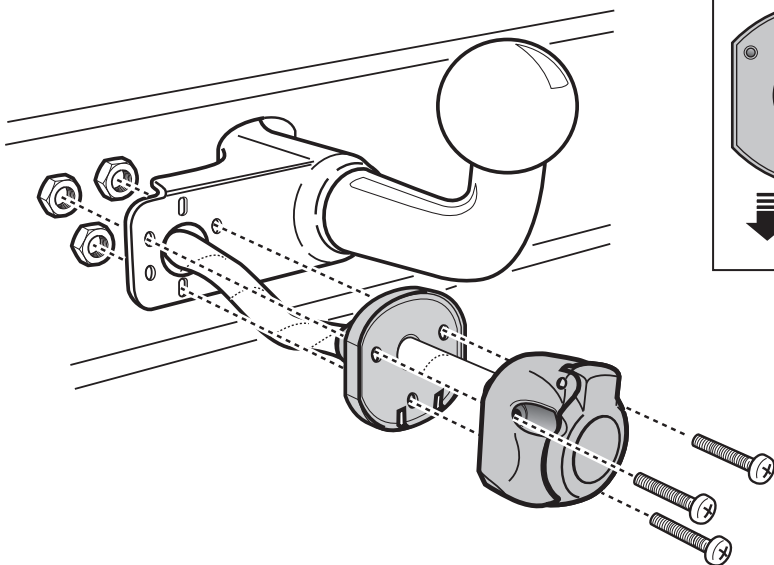
INFO

SOCKET CONNECTION

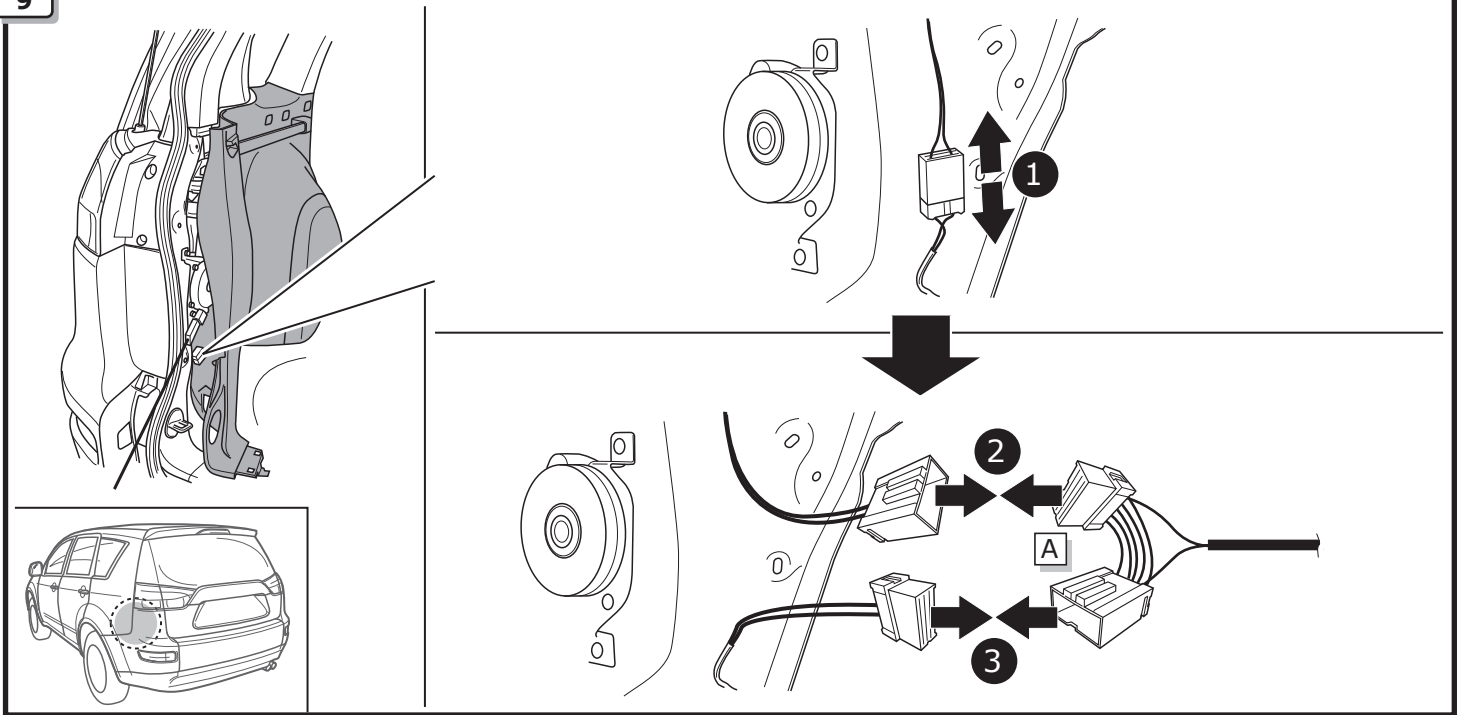


Pag. 11

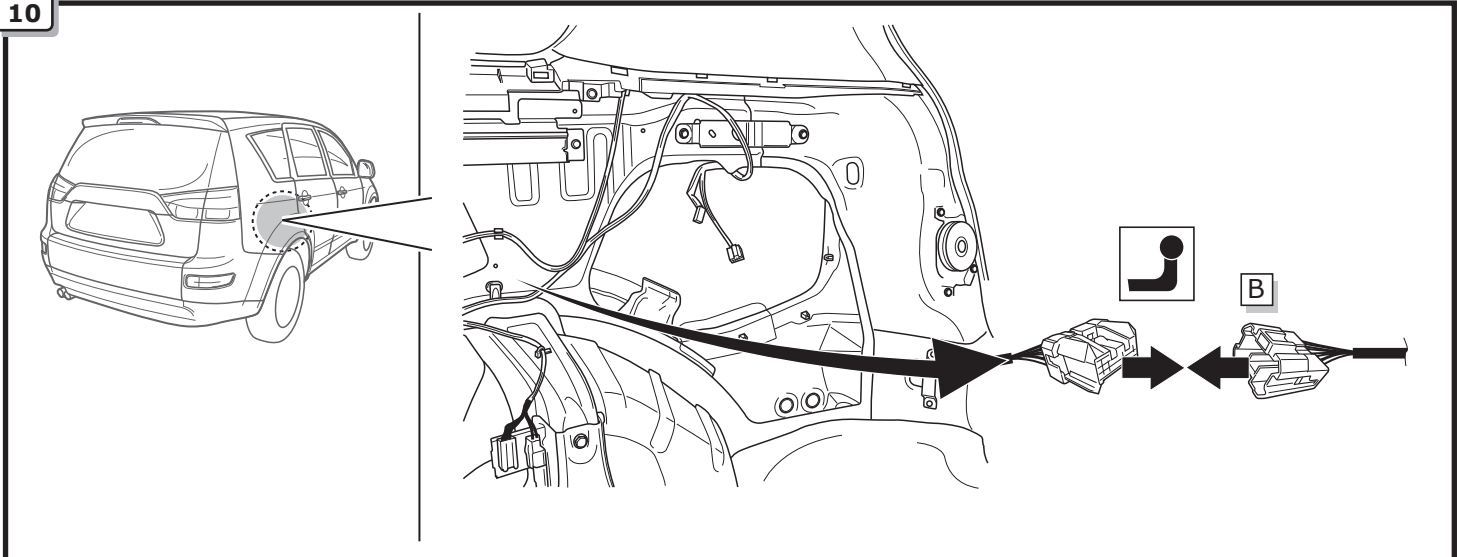
C



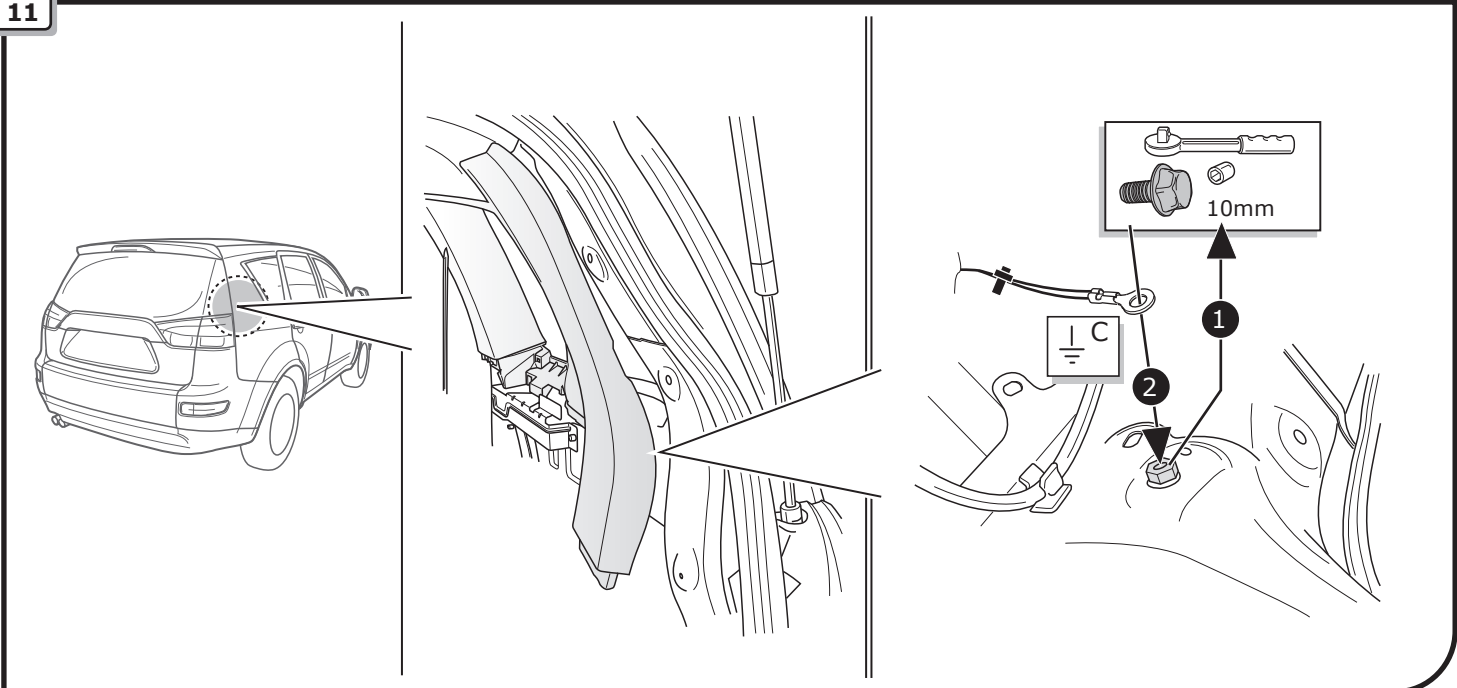
9



10

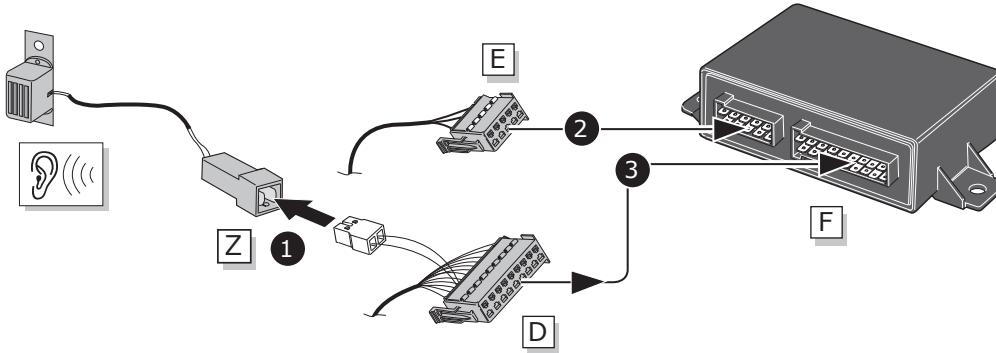


11

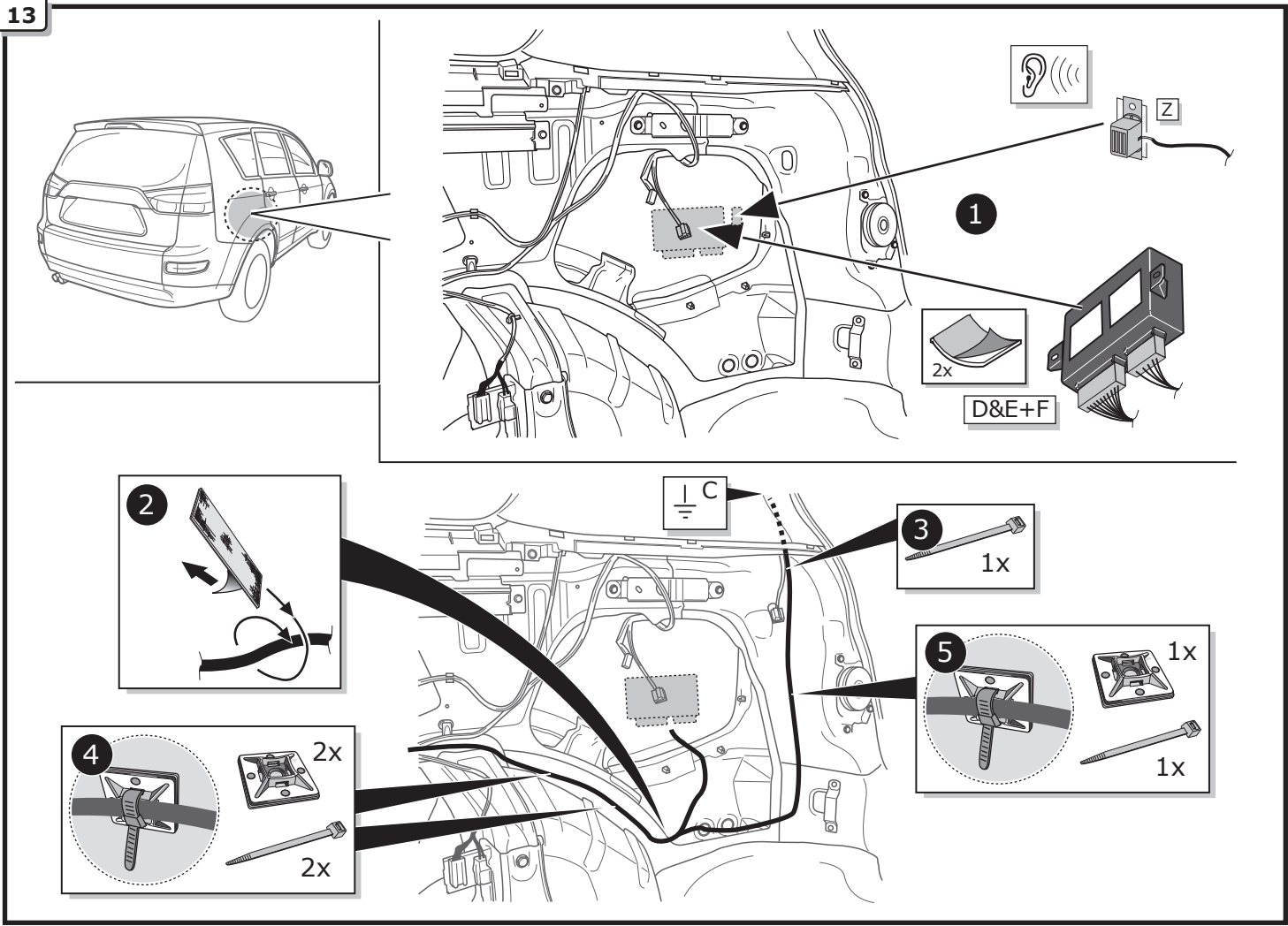




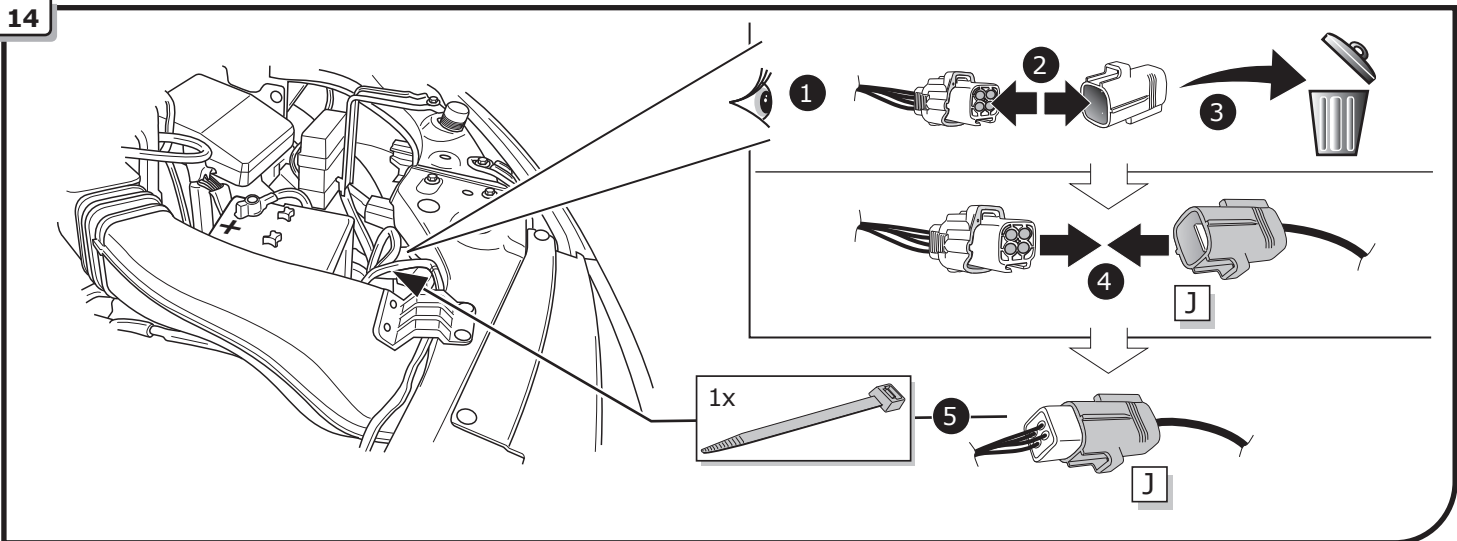
12



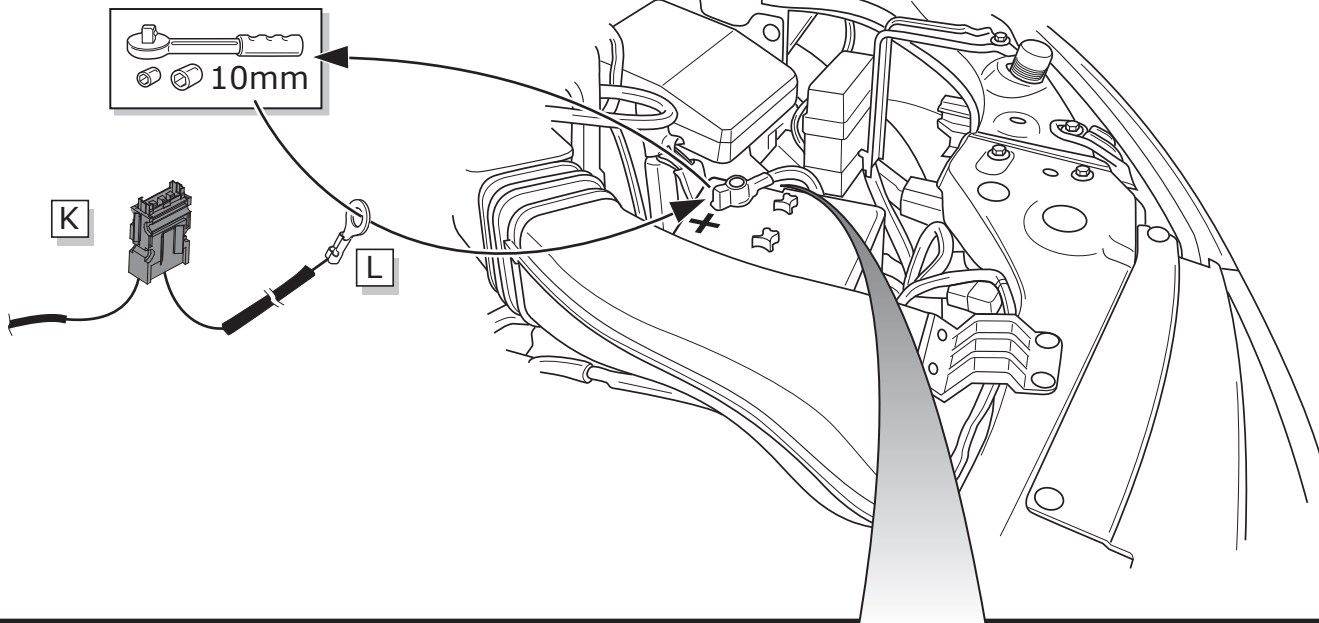
13



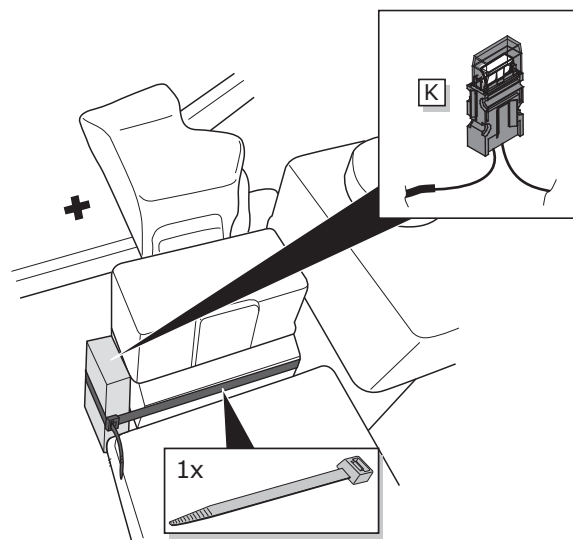
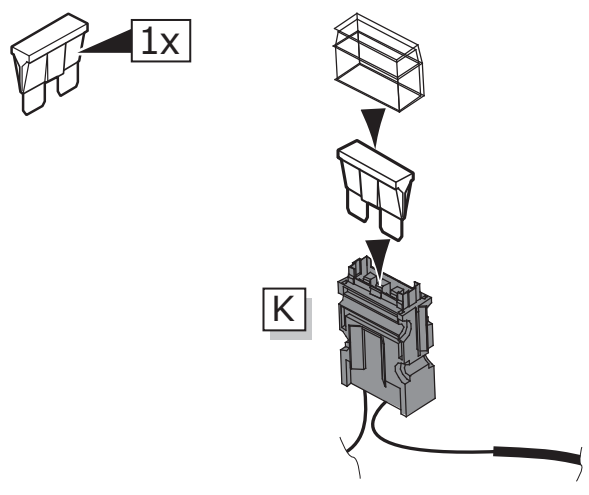
14



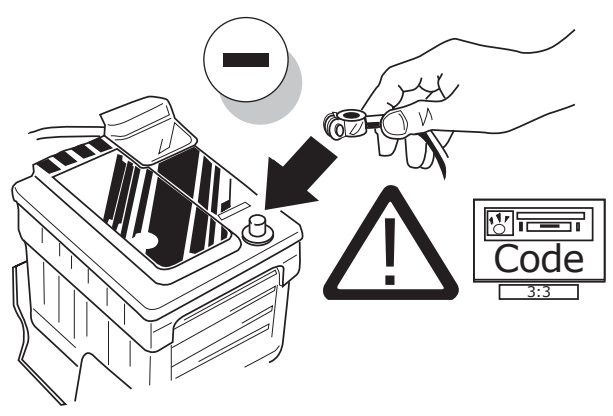
15



16



17



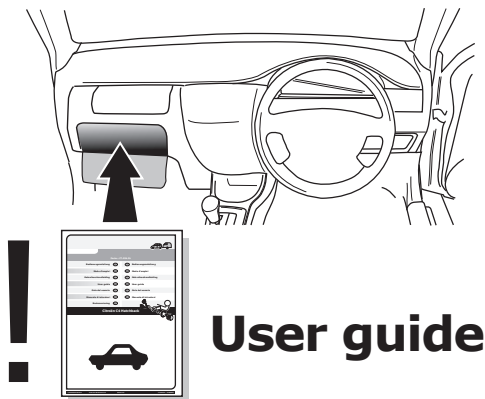
18

TEST ALL THE CIRCUITS WITH A TEST DEVICE WITH THE CORRECT POWER LOAD FOR EACH FUNCTION. A TEST DEVICE WITH LED'S CANNOT BE USED FOR THIS PURPOSE.

INFO

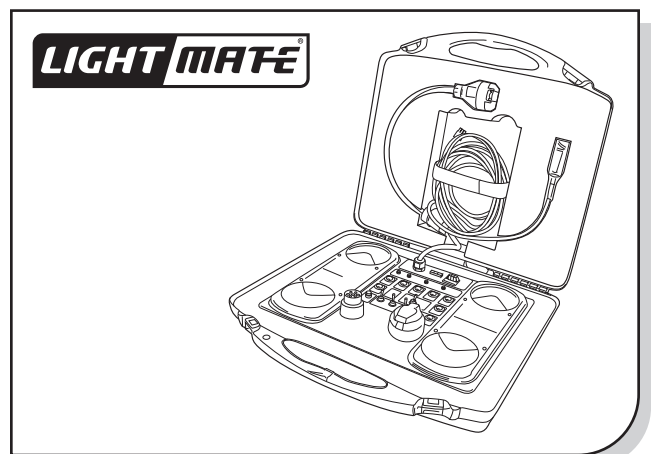
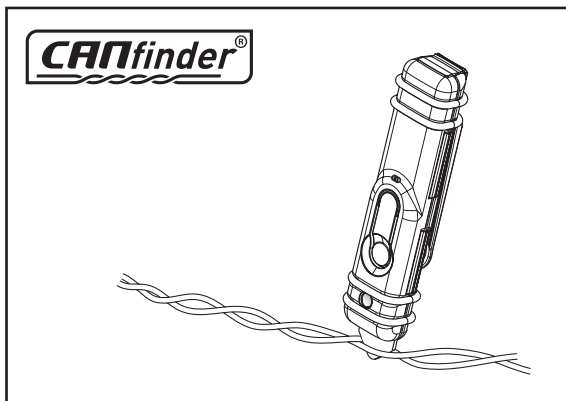
REINSTALL TRIM.

19



INFO

**Products & Service**



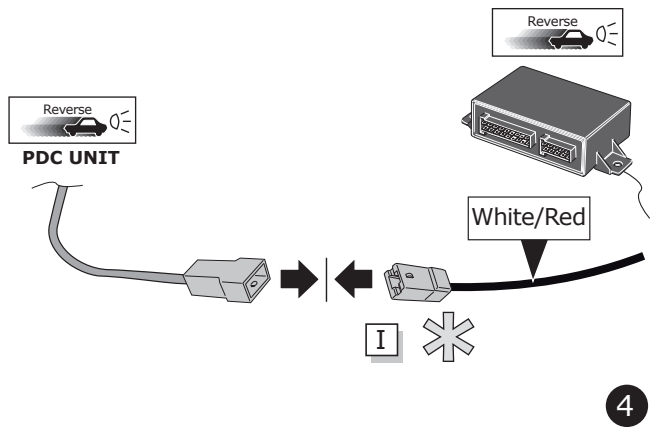
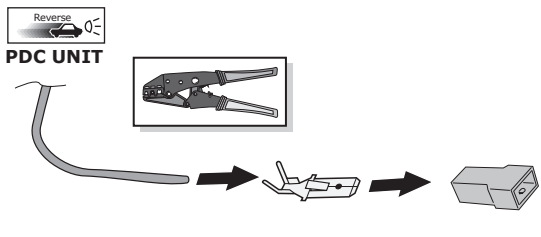
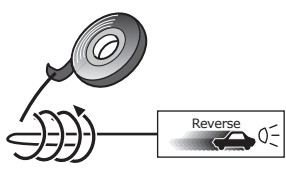
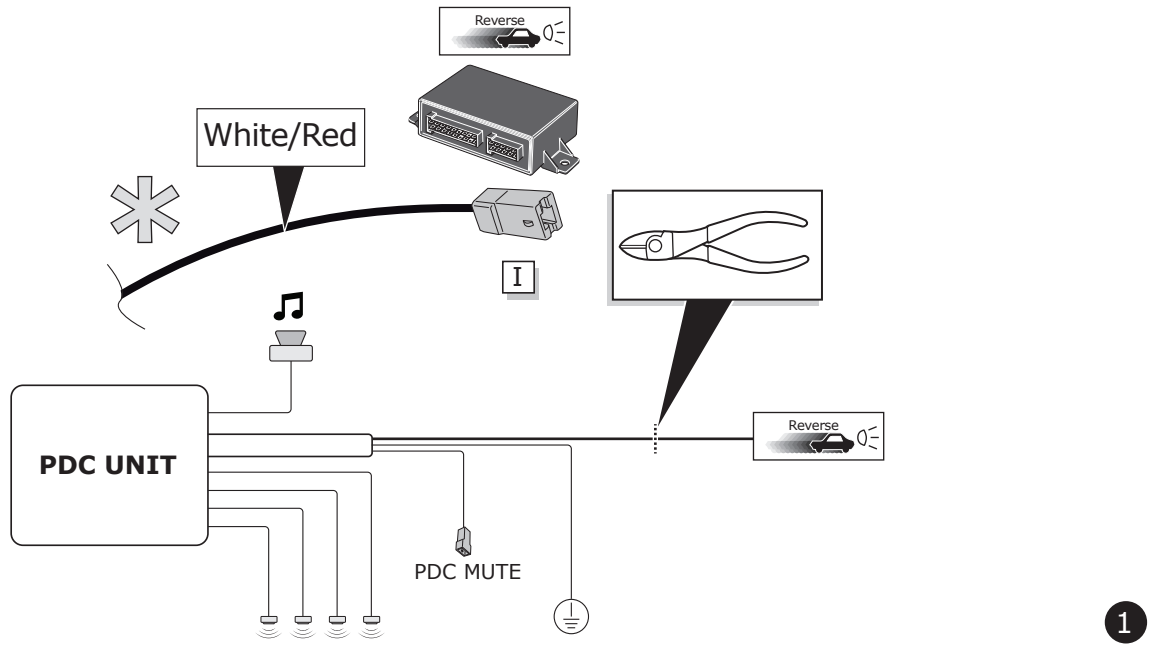
[http://www.ecs-electronics.nl/NL/catalogus/test\\_gereedschap](http://www.ecs-electronics.nl/NL/catalogus/test_gereedschap)

INFO

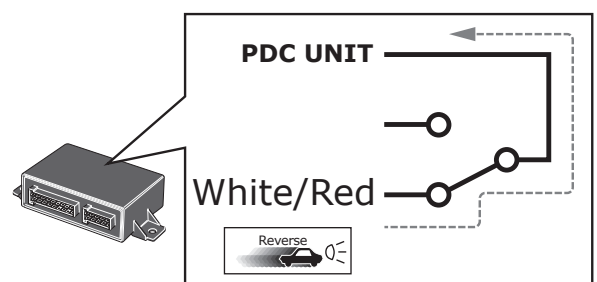
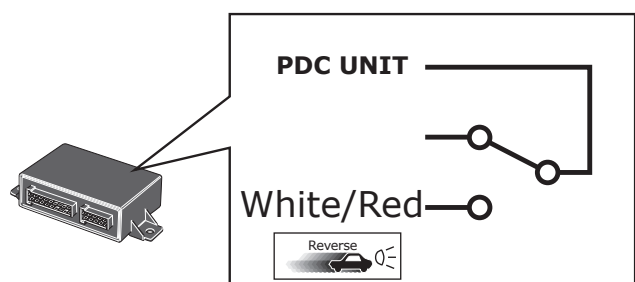
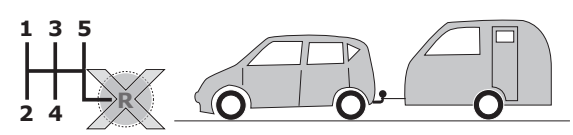
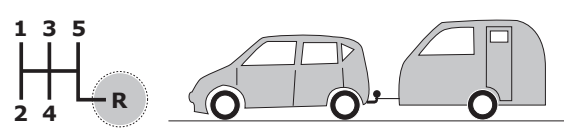
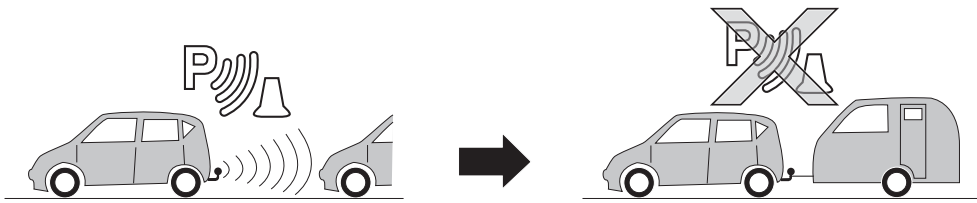
SOCKET CONNECTION

DIN/ISO 1724							
	1/L	2	3/31	4/R	5/58-R	6/54	7/58-L
Pmax	21W	2x21W		21W	52W	3x21W	52W
Colour	Yellow	Blue	White	Green	Brown	Red	Black

# \* OPTION P.D.C.

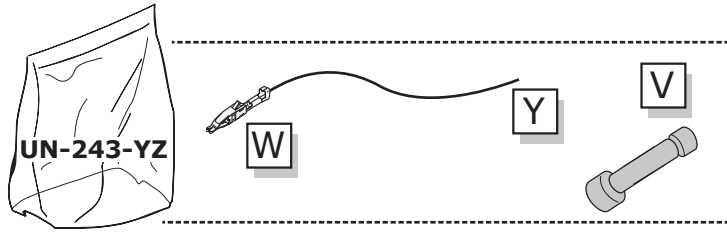


## Info

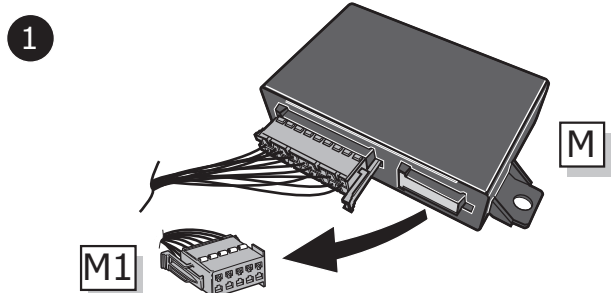
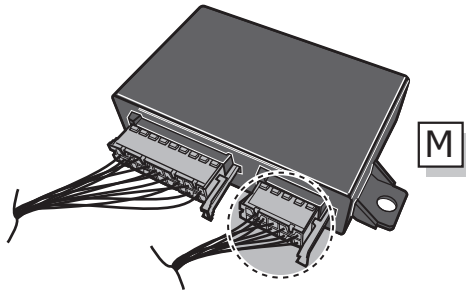


# UN-243-YZ Reverse lamp pre-wire extension

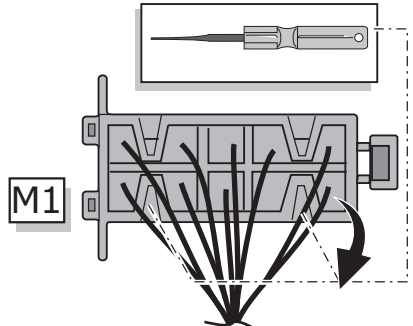
⚠ MAX = 21W



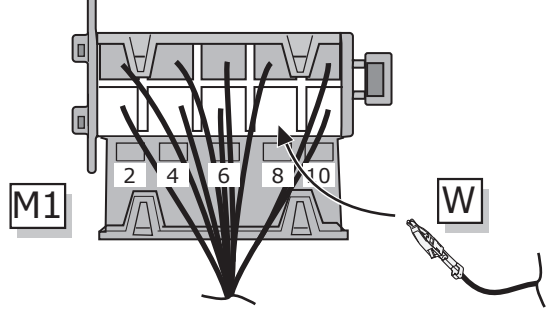
**A**



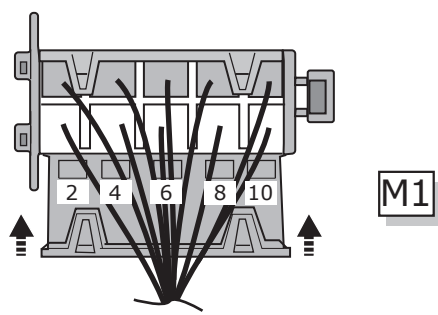
**2**



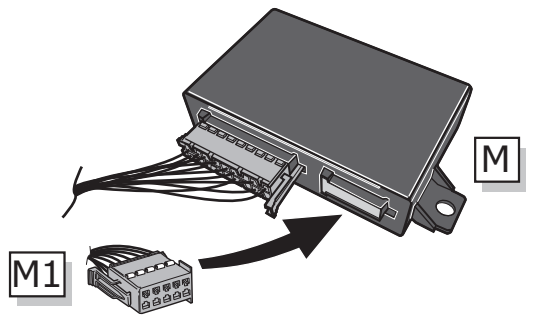
**3**



**4**



**5**



**B**

⚠ MAX = 21W

