

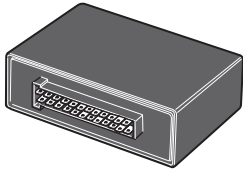
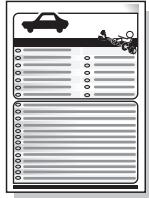
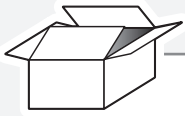
Nissan Juke 05/2014 >> 10/2019

Partnr.: NI-111-BHU

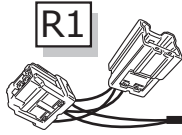
- Fitting instructions electric wiring kit tow bar with 12-N socket up to DIN/ISO Norm 1724.
- We would expressly point out that assembly not carried out properly by a competent installer will result in cancellation of any right to damage compensation, in particular those arising by virtue of the product liability act.
- Contents of these kits and their fitting manuals are subject to alteration without notice, please ensure that these instructions are read and fully understood before commencing installation.
- Do not overload circuits; the maximum loads per connection are detailed in this manual.
- Attention! Before Installation, please read this manual carefully and inform your customer to consult the vehicle owners manual to check for any vehicle modifications required before towing.
- In the event of functional problems, troubleshooting must be limited to about 0.5 hours, contact the technical support:
t.skinner@ecs-electronics.com / 07440 202 052.



Part list

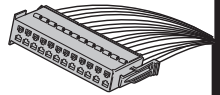


M



R1

M



T



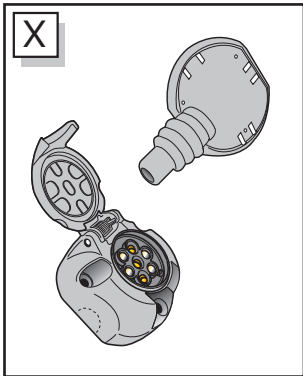
X

L2

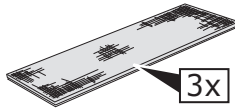
G



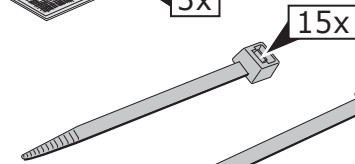
L1



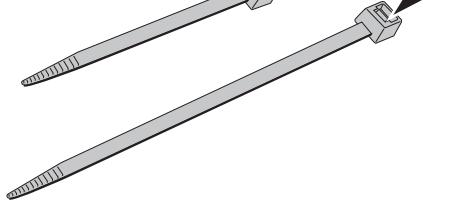
X



3x



15x



3x

UN-243-YZ

Optional reverse lamp pre-wire extension included



Pag. 14



OPTION P.D.C.

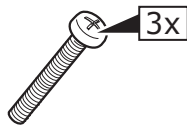
PARK DISTANCE CONTROL

↓

PARK DISTANCE CONTROL

2x

→ Pag. 12



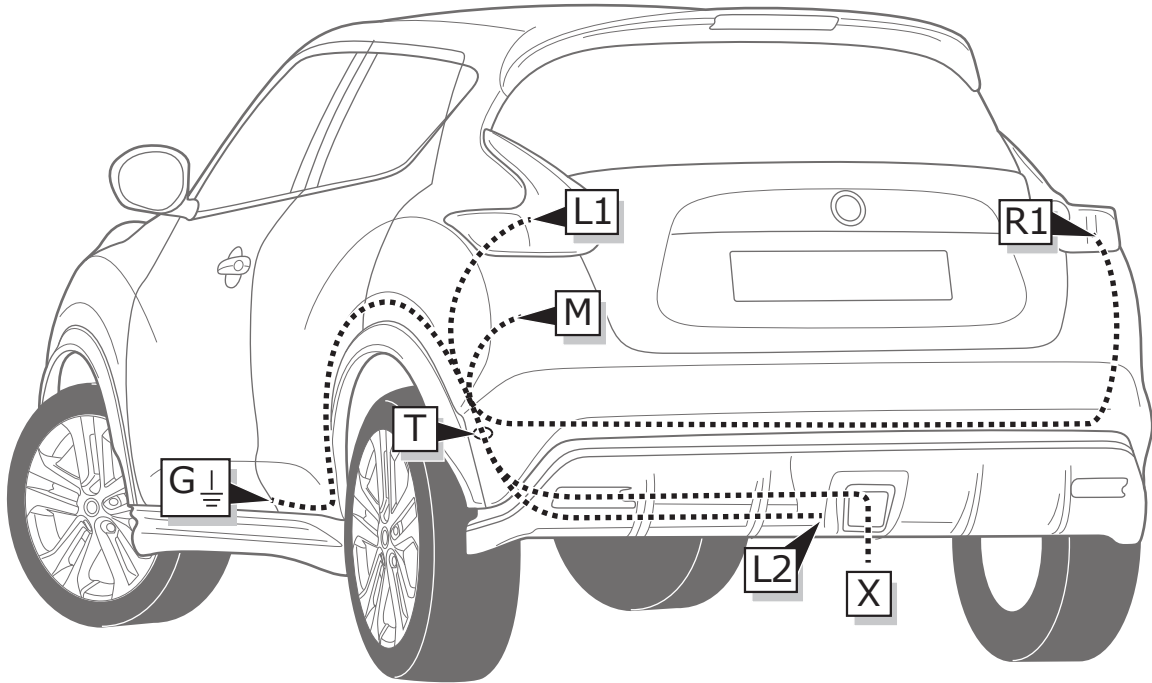
3x



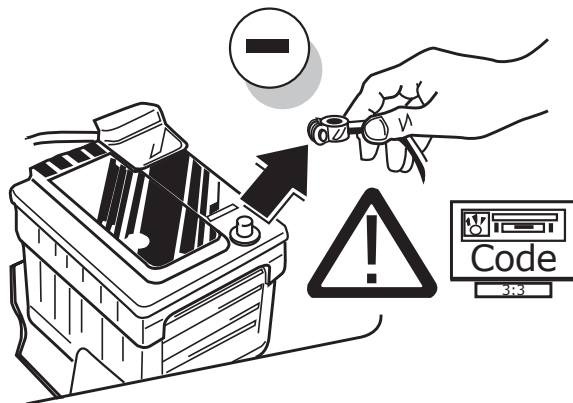
3x



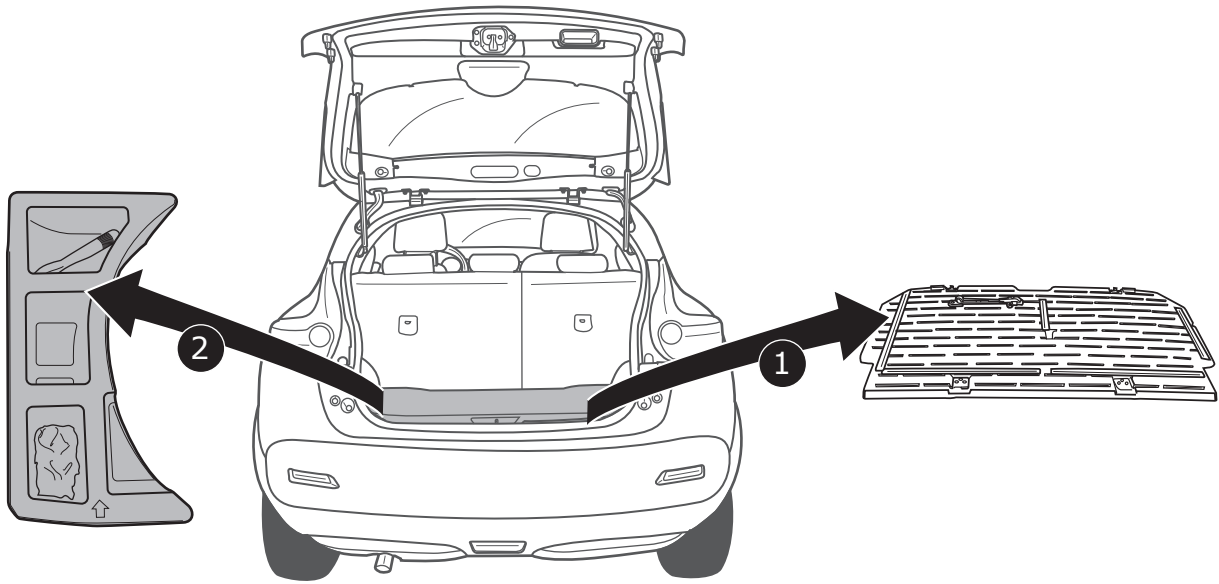
1x



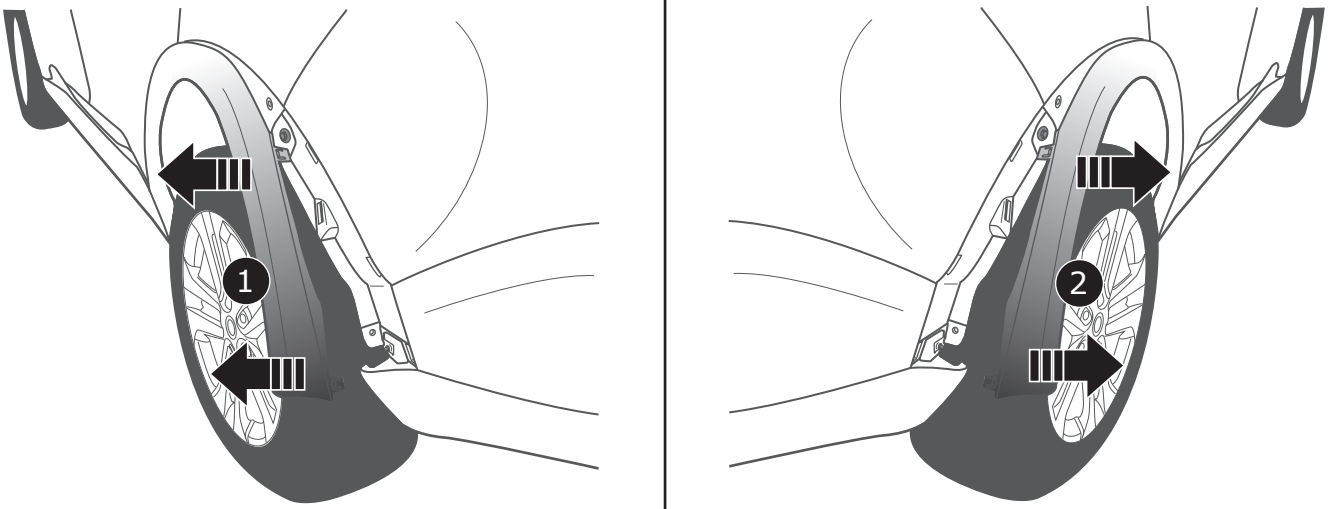
1



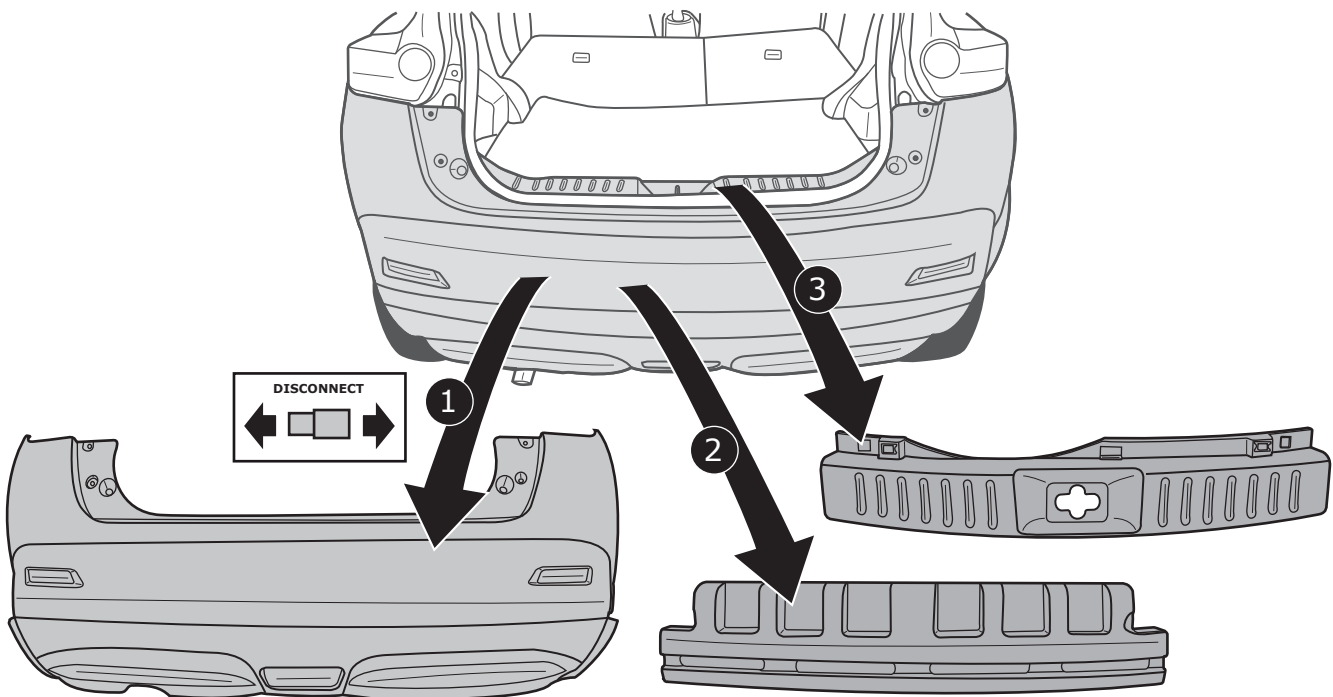
2



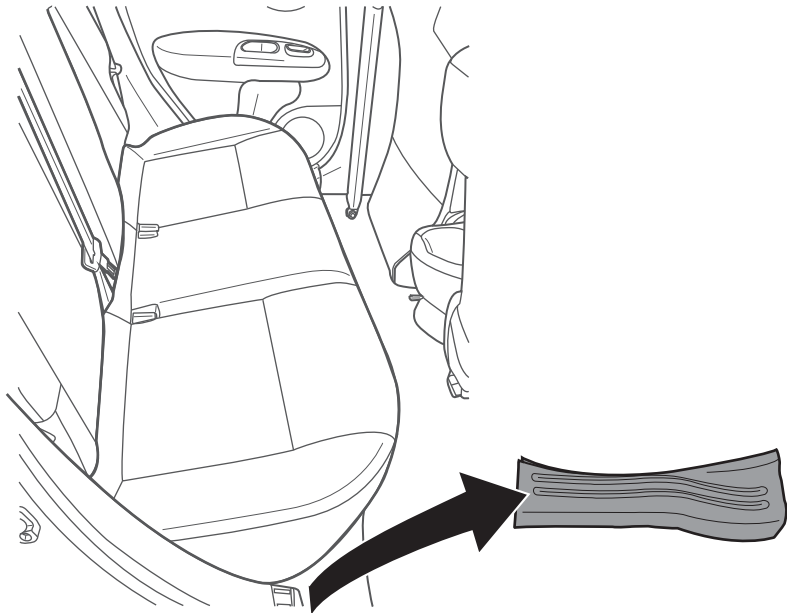
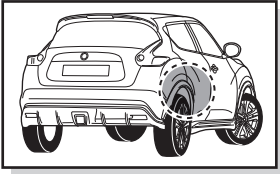
3



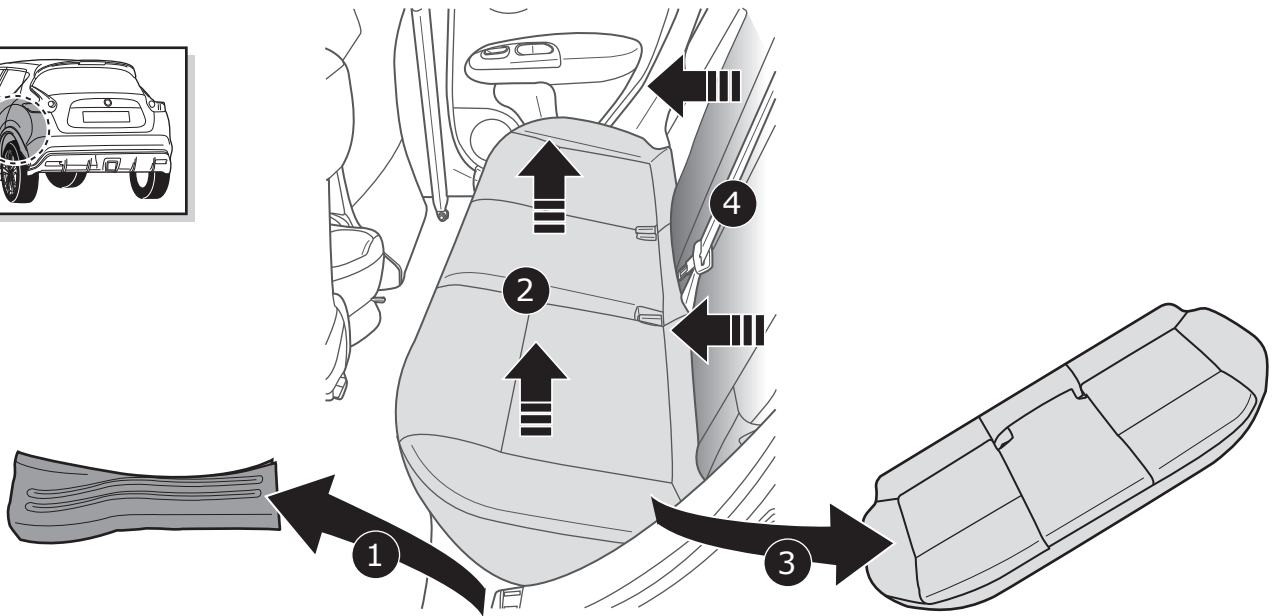
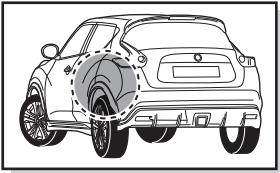
4



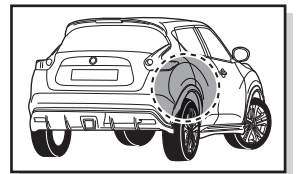
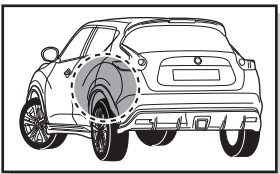
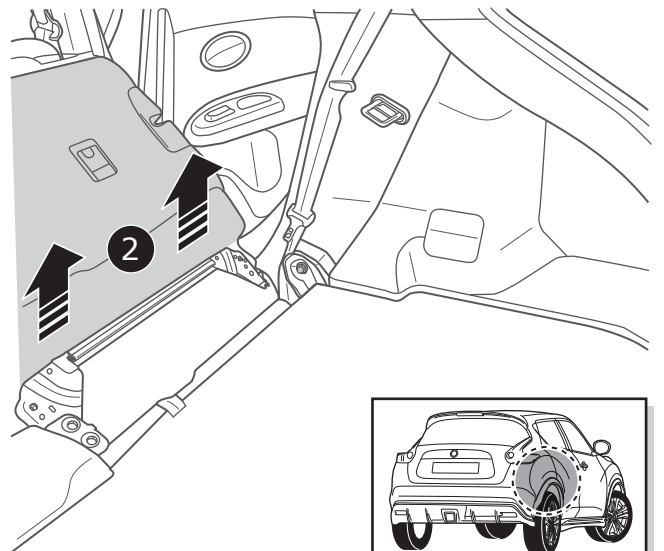
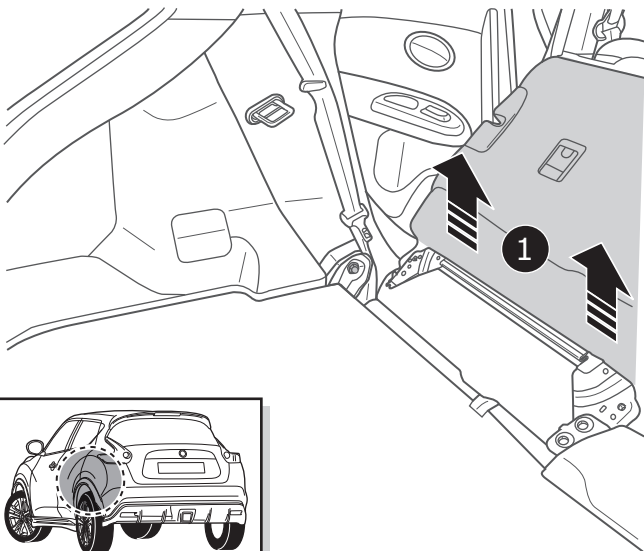
5



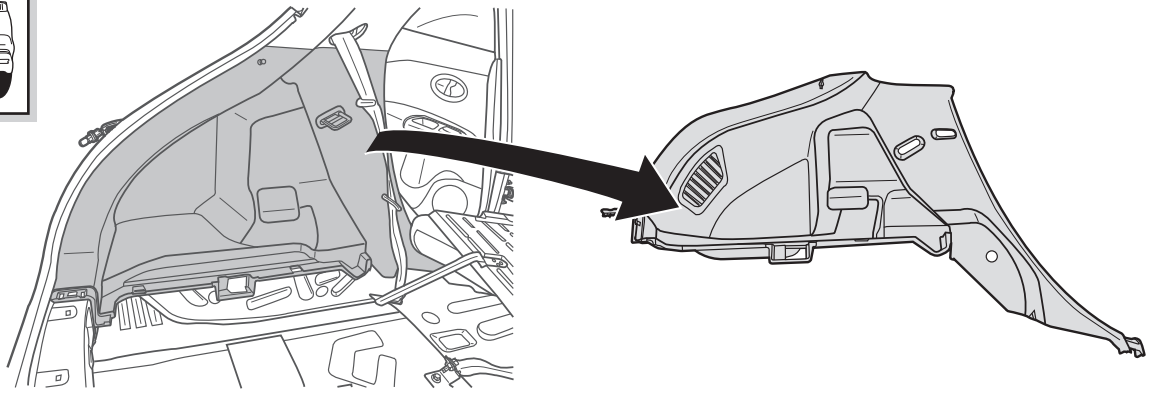
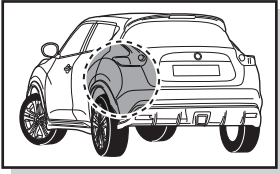
6



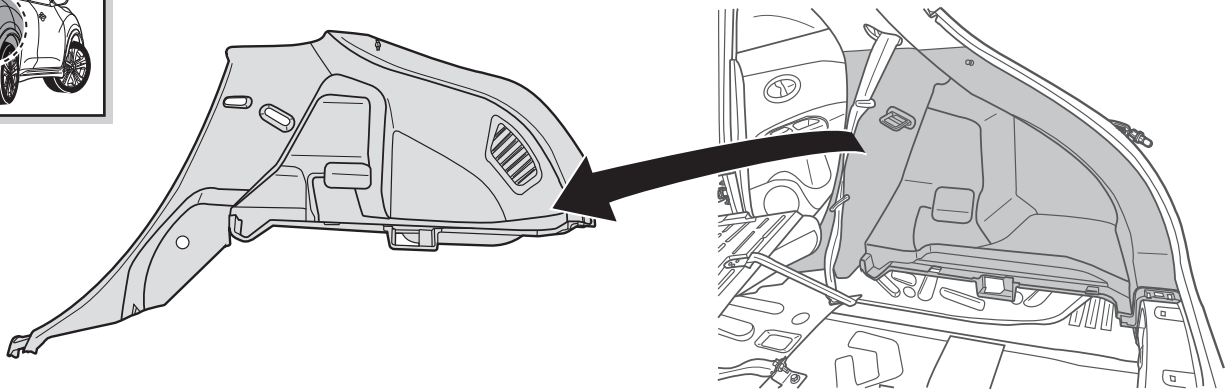
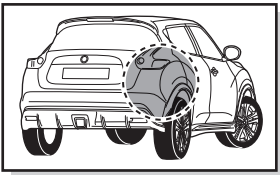
7



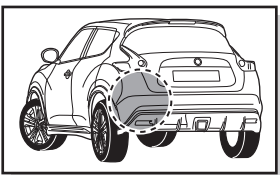
8



9



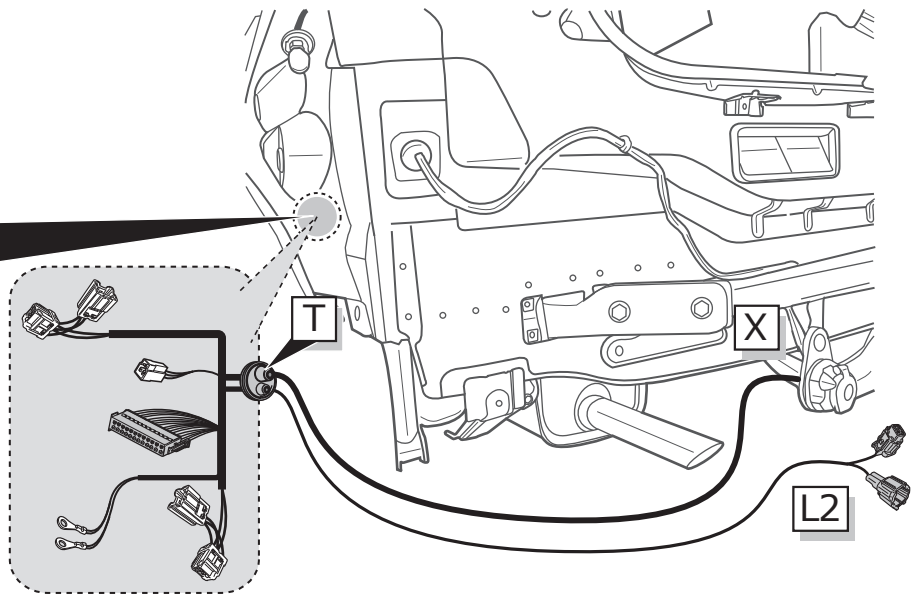
10



Template
Pag. 13

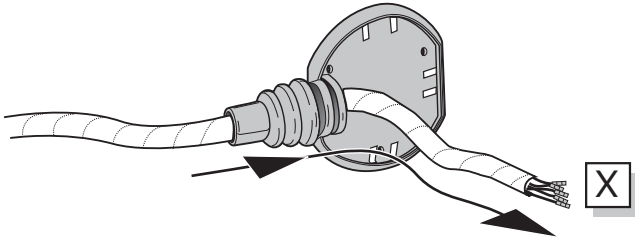
1 2

3 $\varnothing 40\text{mm}$

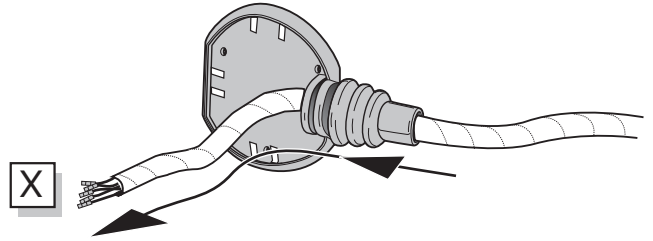


A

Option 1



Option 2



B

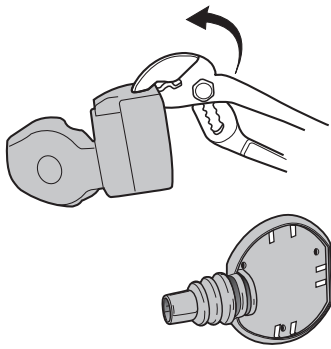
SOCKET CONNECTION 

Pag. 11

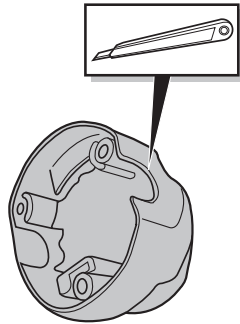
C

Option 1

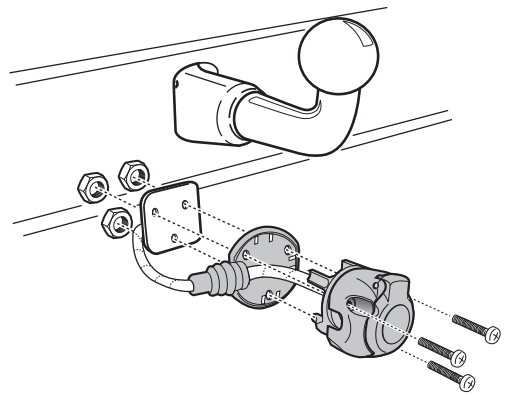
1



2



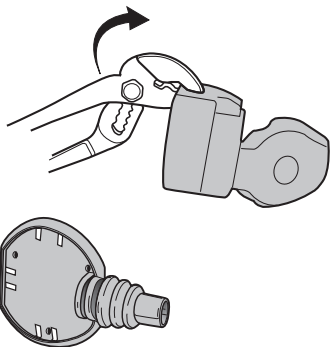
3



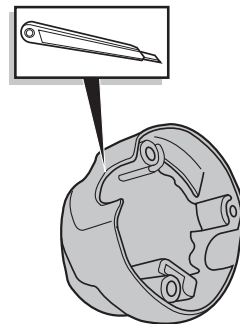
D

Option 2

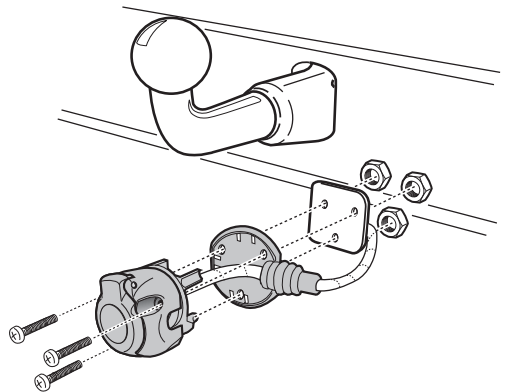
1



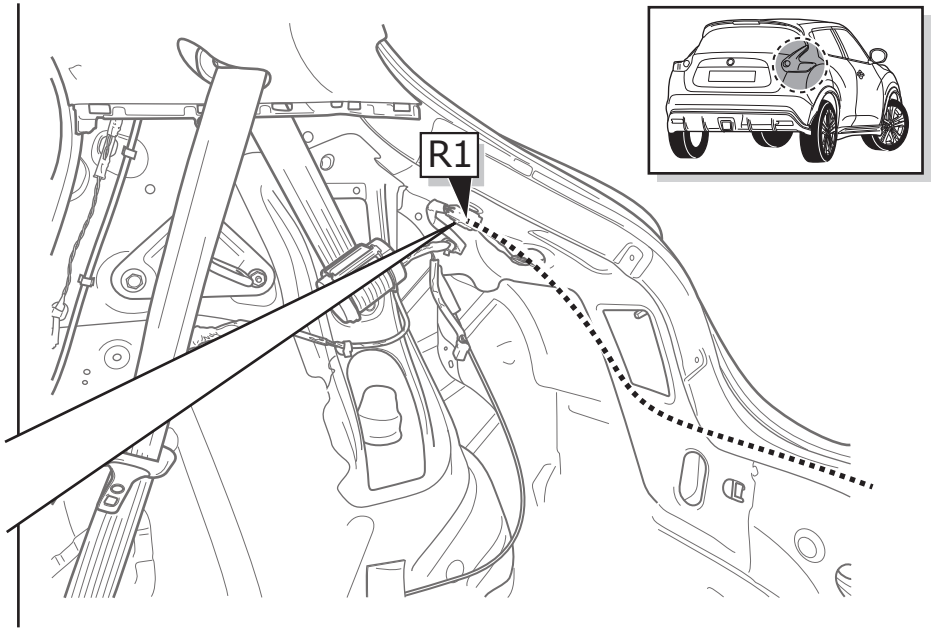
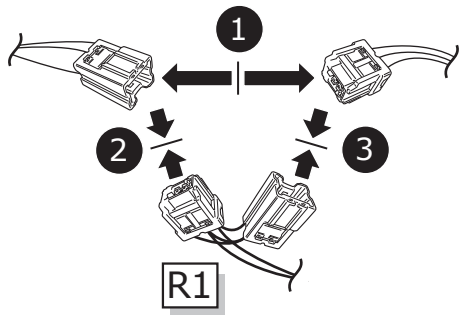
2



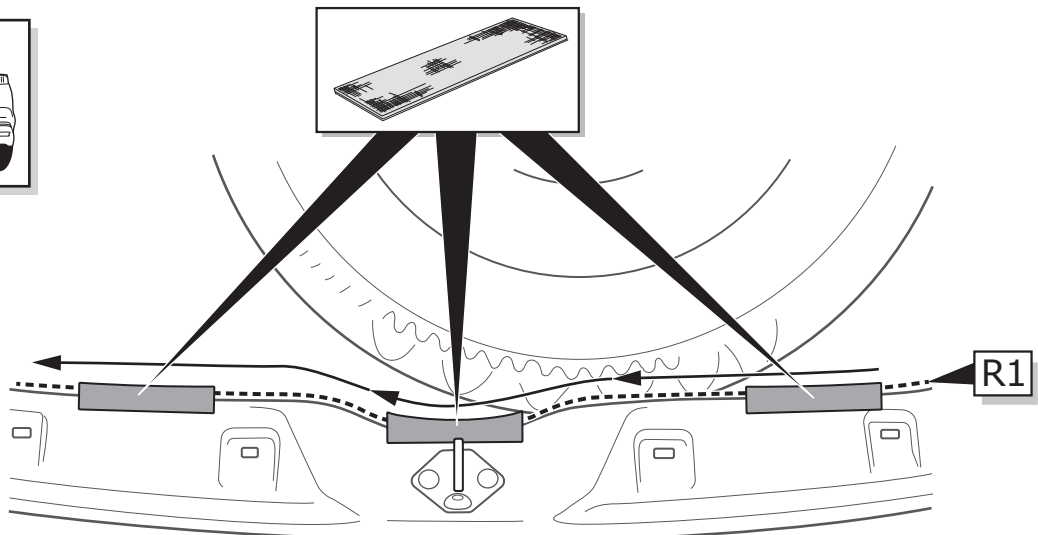
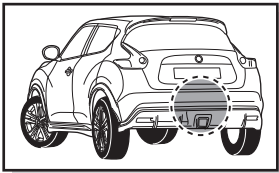
3



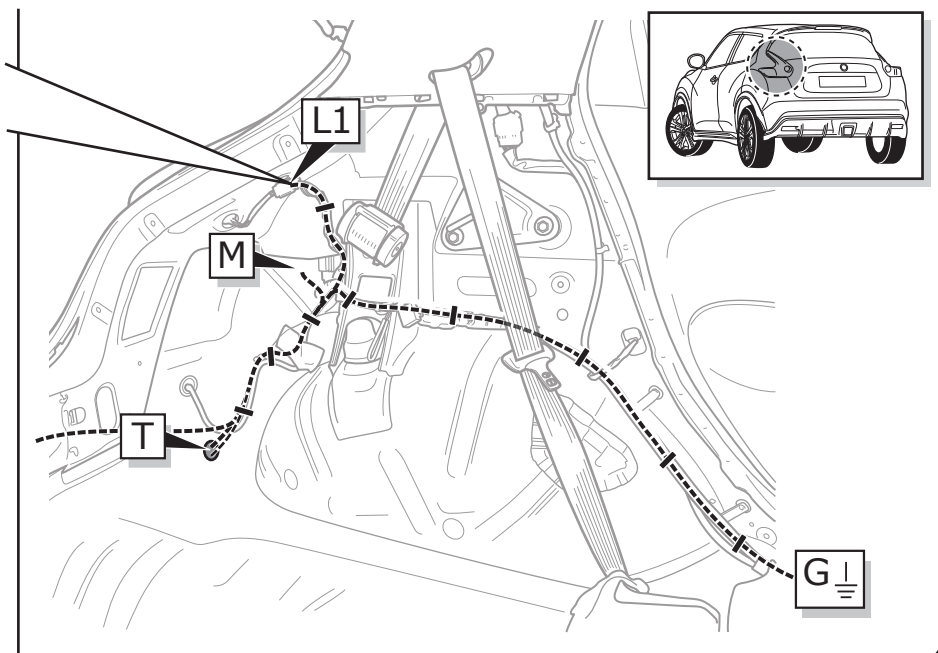
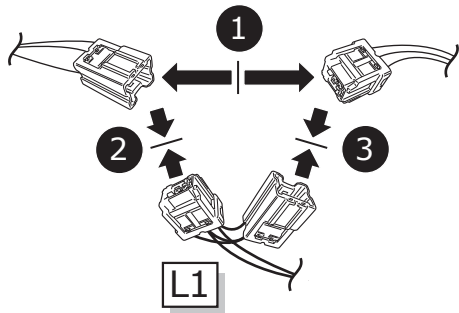
11



12



13



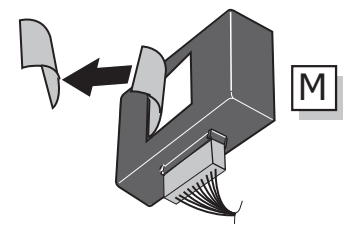
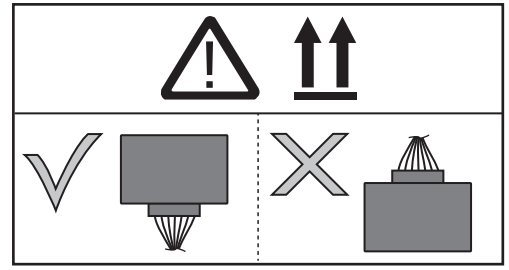
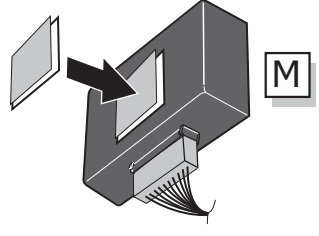
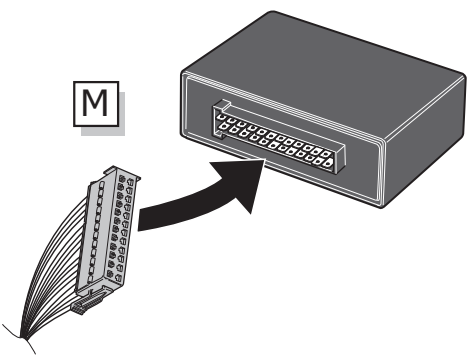
14

1

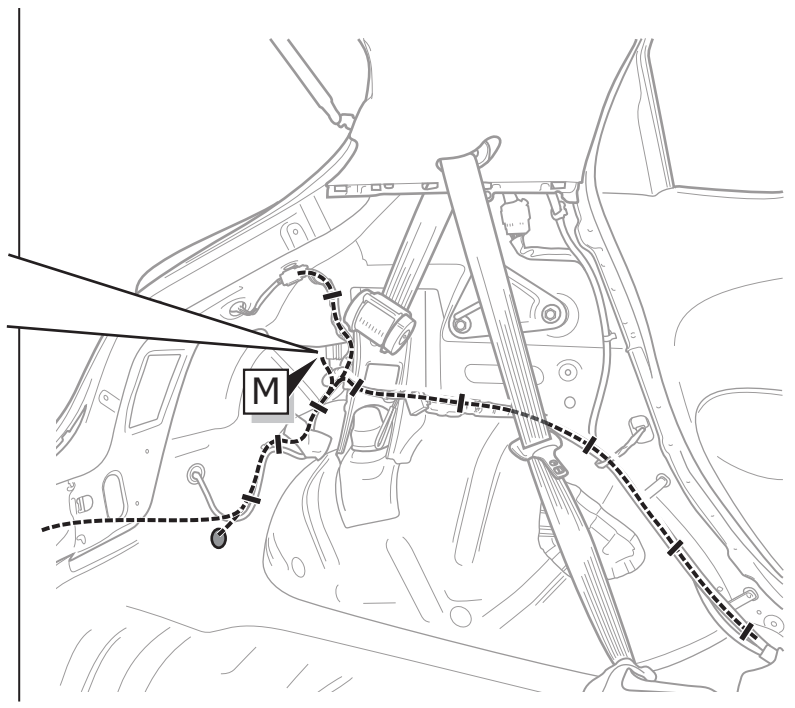
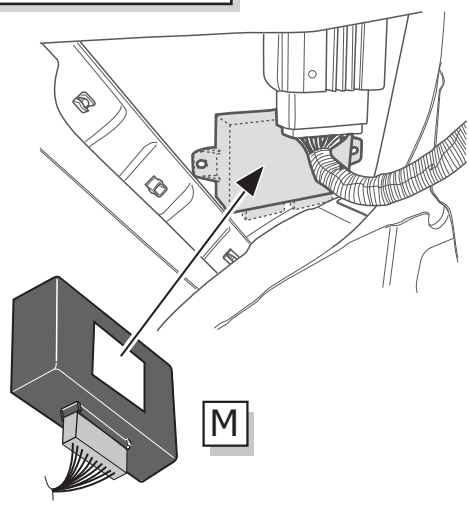
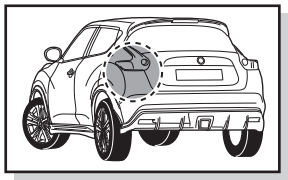
2

3

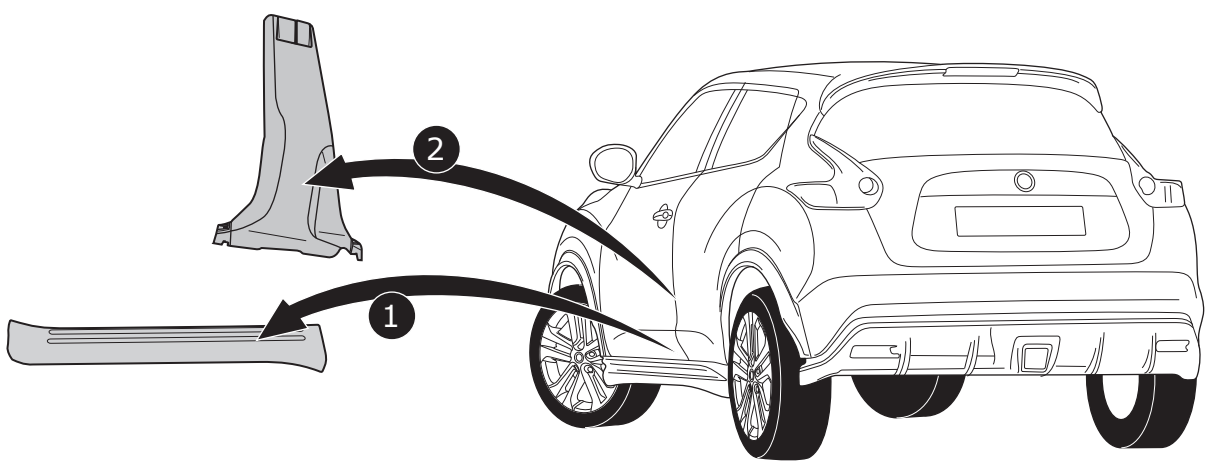
4



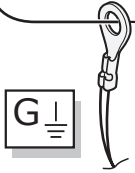
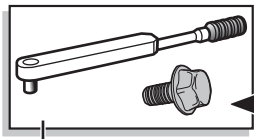
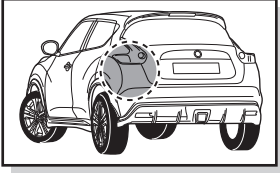
15



16

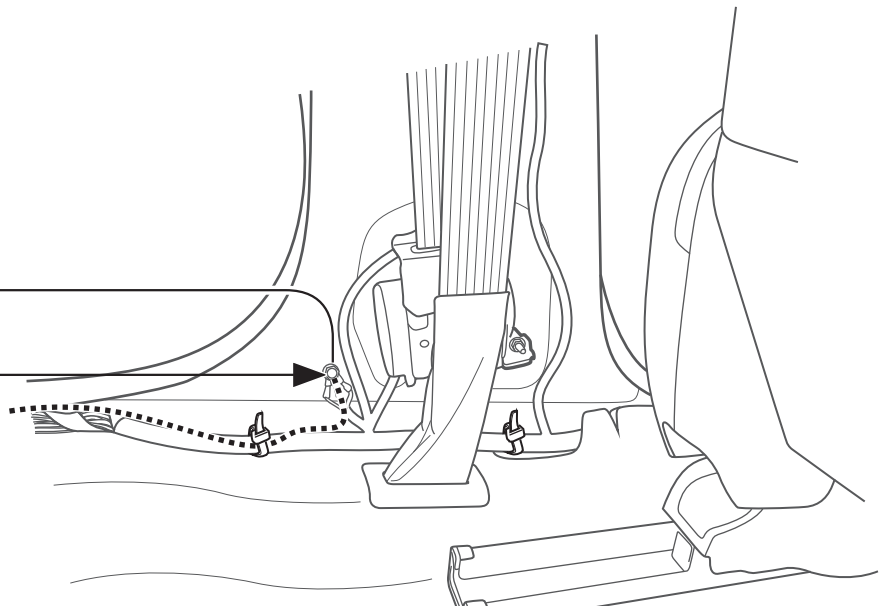


17

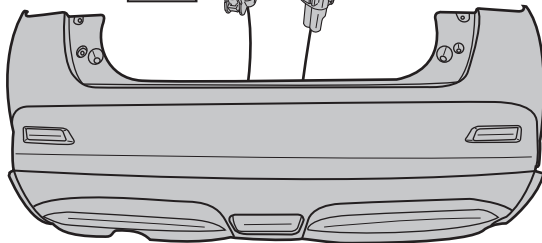
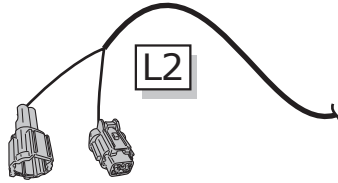
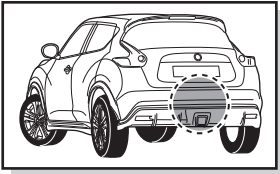


1

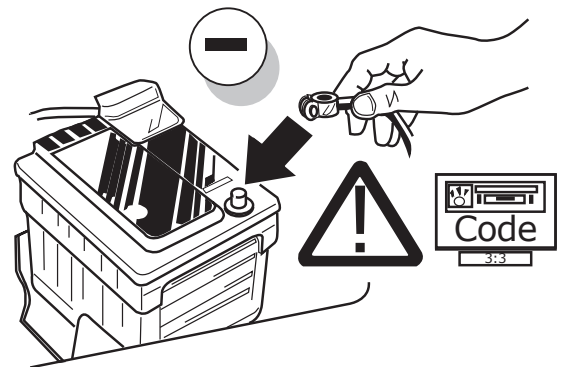
2



18



19



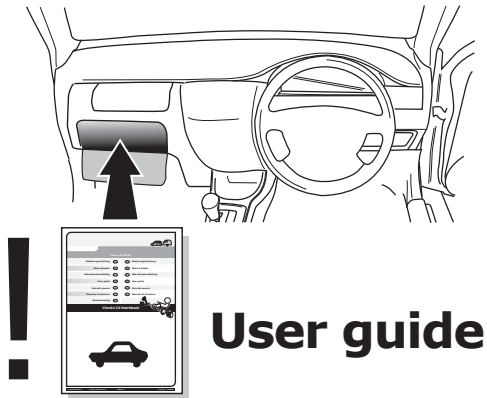
20

! TEST ALL THE CIRCUITS WITH A TEST DEVICE WITH THE CORRECT POWER LOAD FOR EACH FUNCTION. A TEST DEVICE WITH LED'S CANNOT BE USED FOR THIS PURPOSE.

INFO

REINSTALL TRIM.

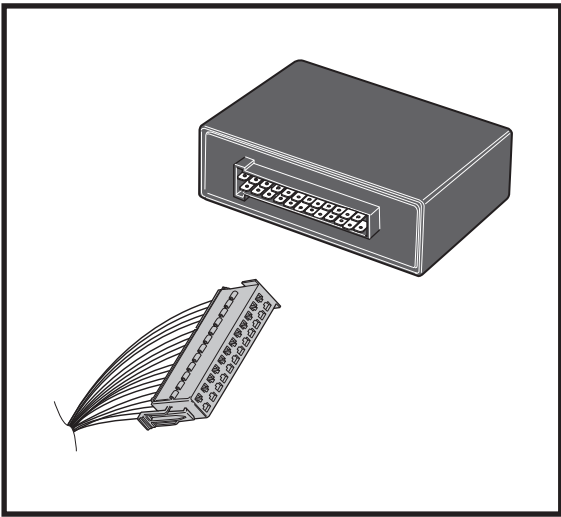
21



INFO

SOCKET CONNECTION

DIN/ISO 1724							
	1/L	2	3/31	4/R	5/58-R	6/54	7/58-L
Pmax	21W	21W		21W	52W	3x21W	52W
Colour	Yellow	Blue	White	Green	Brown	Red	Black



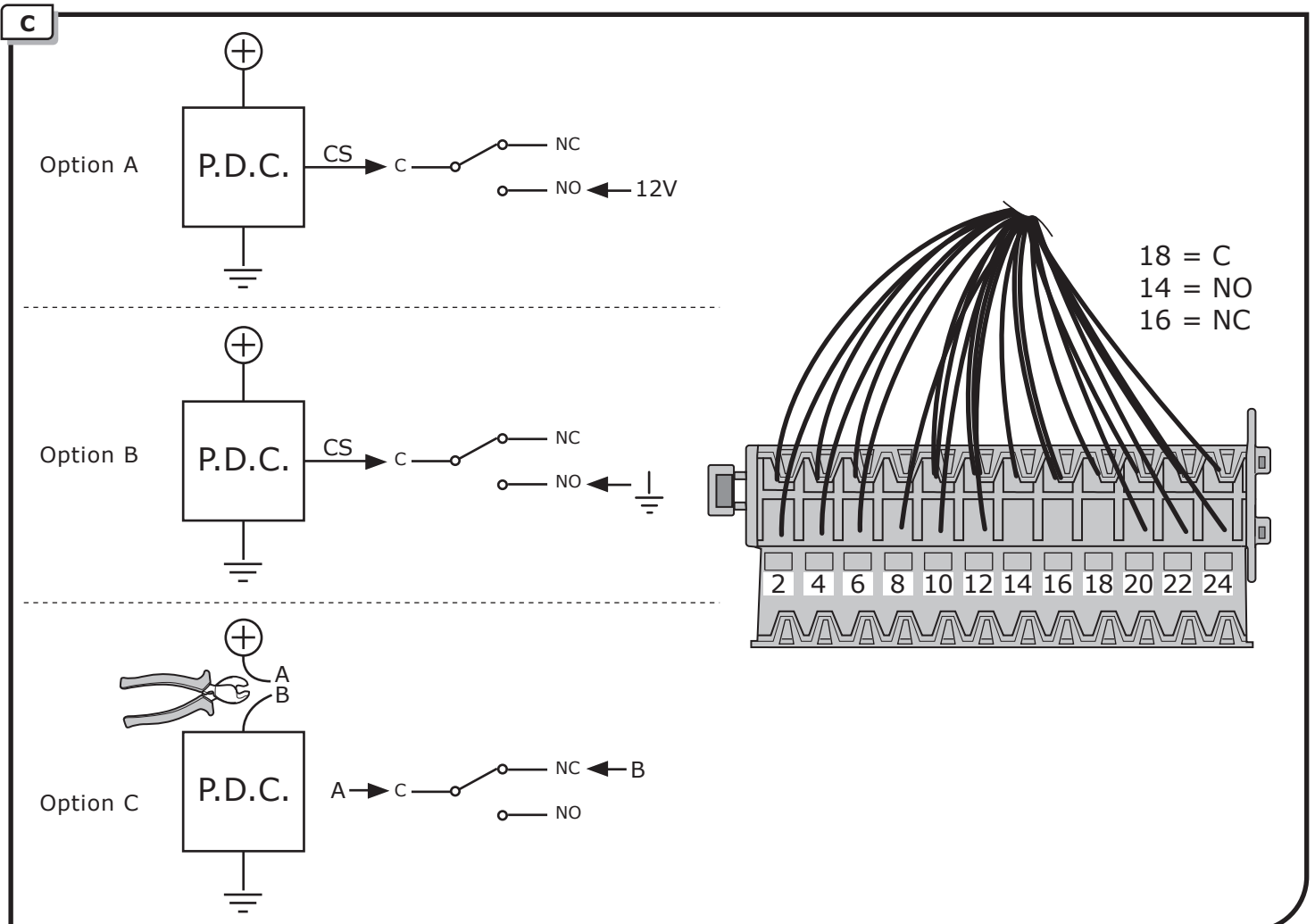
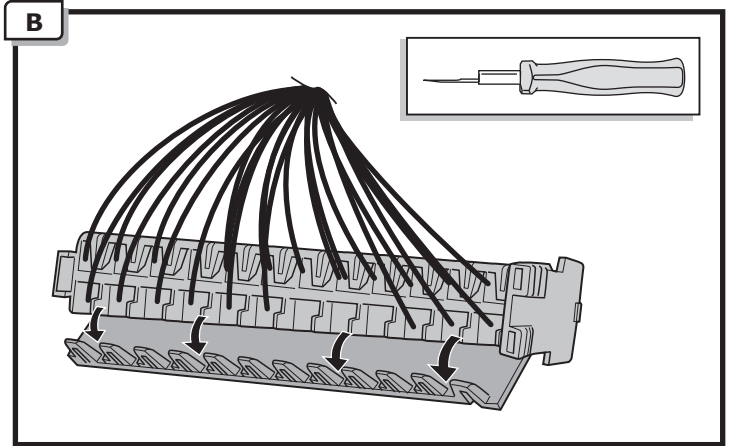
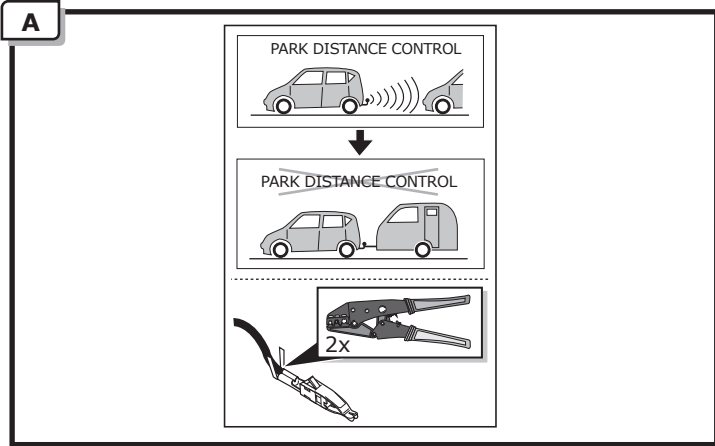
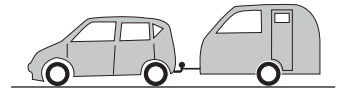
Option

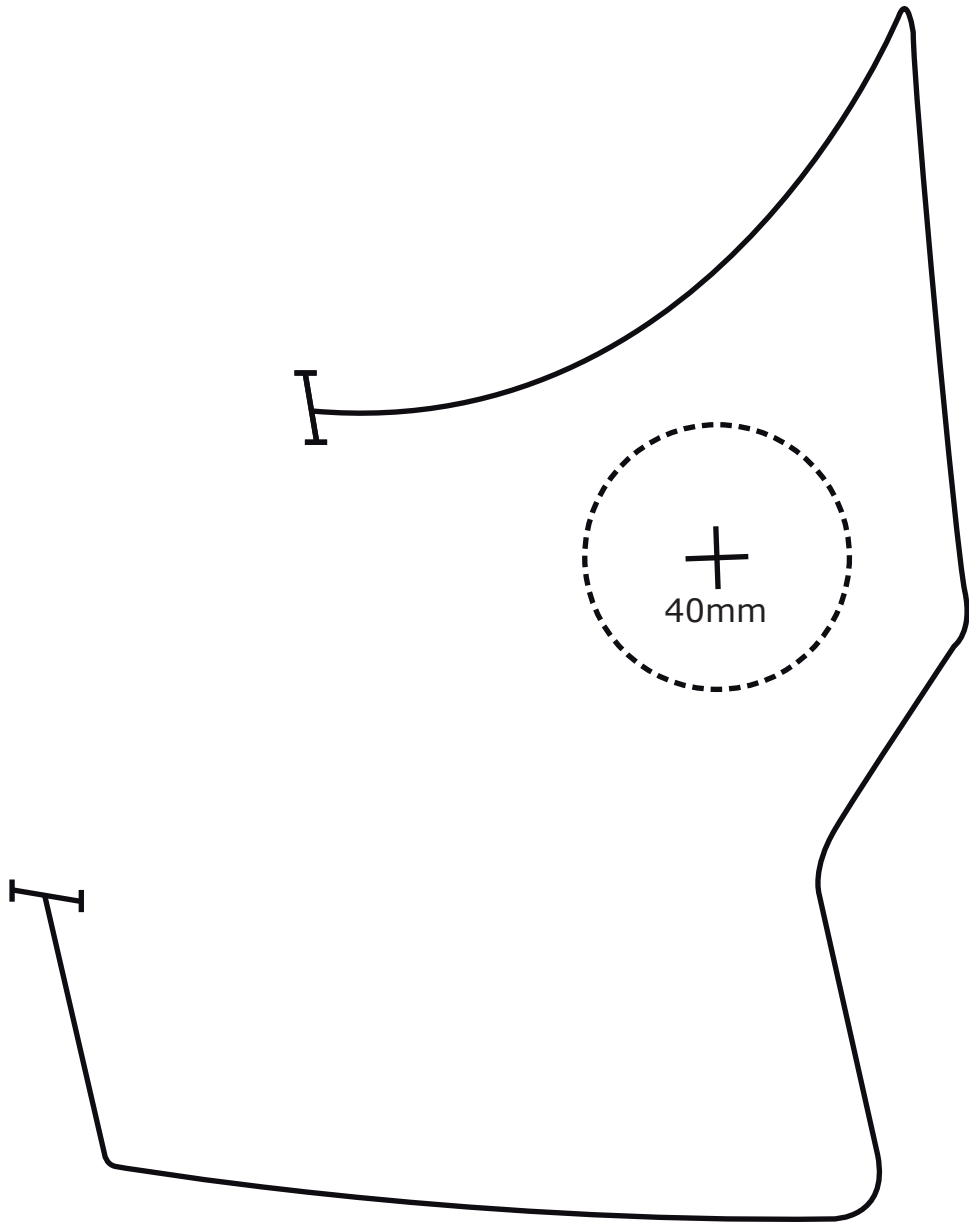


PARK DISTANCE CONTROL



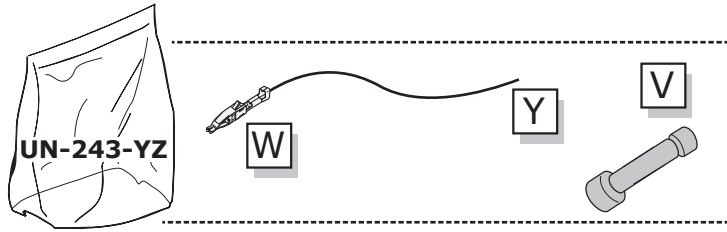
PARK DISTANCE CONTROL



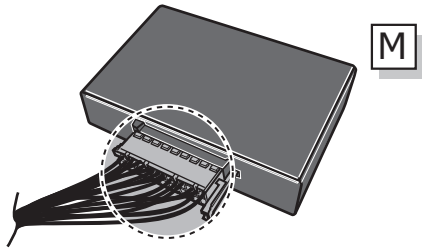


UN-243-YZ Reverse lamp pre-wire extension

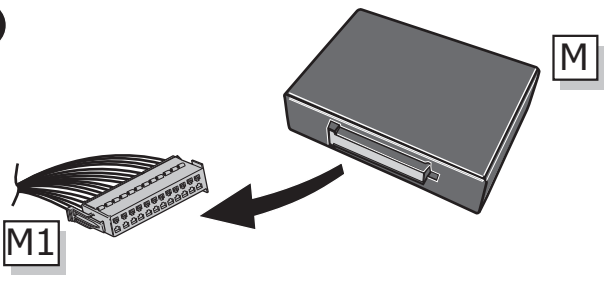
⚠ MAX = 21W



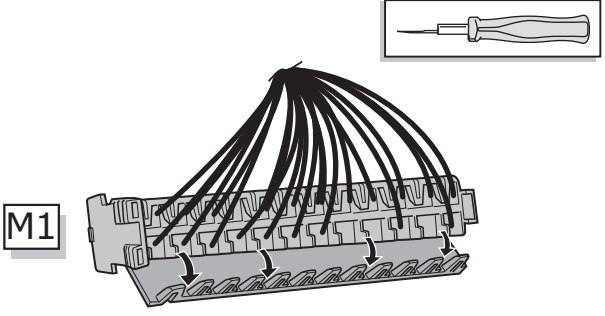
A



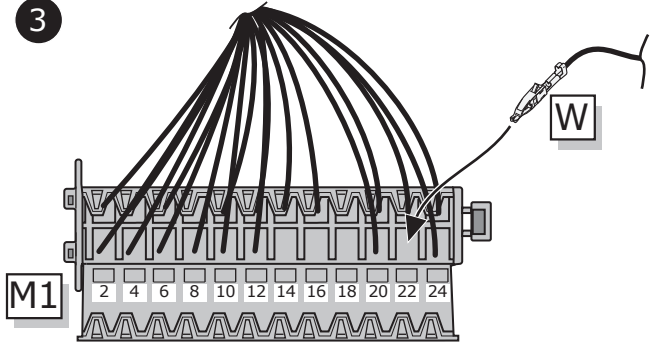
1



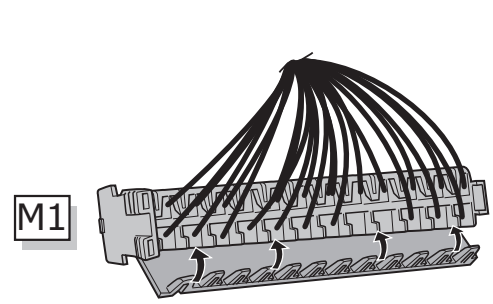
2



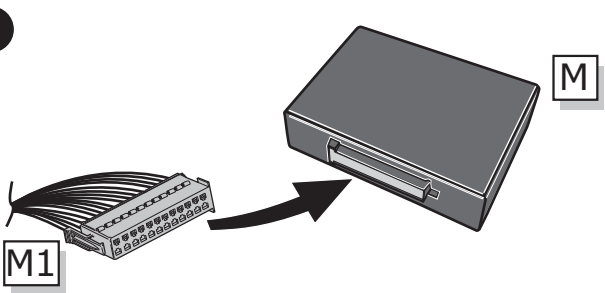
3



4



5



B

⚠ MAX = 21W

