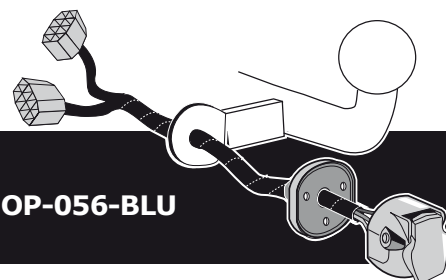


Vehicles with trailer-preparation only!

Opel Movano Van	03/2010 >> 12/2021
Renault Master Van	03/2010 >> 05/2024
Nissan NV400 Van	03/2010 >> 12/2021
Nissan Interstar Van	01/2022 >> 05/2024

Partnr.: OP-056-BLU



- Fitting instructions electric wiring kit tow bar with 12-N socket up to DIN/ISO Norm 1724.
- We would expressly point out that assembly not carried out properly by a competent installer will result in cancellation of any right to damage compensation, in particular those arising by virtue of the product liability act.
- Contents of these kits and their fitting manuals are subject to alteration without notice, please ensure that these instructions are read and fully understood before commencing installation.
- Do not overload circuits; the maximum loads per connection are detailed in this manual.
- Attention! Before Installation, please read this manual carefully and inform your customer to consult the vehicle owners manual to check for any vehicle modifications required before towing.
- In the event of functional problems, troubleshooting must be limited to about 0.5 hours, contact the technical support:
ukts@ecs-electronics.com / 07440 202 052.

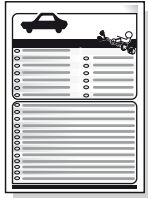
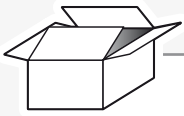
TECHNICAL SUPPORT

CALL 07440 202 052

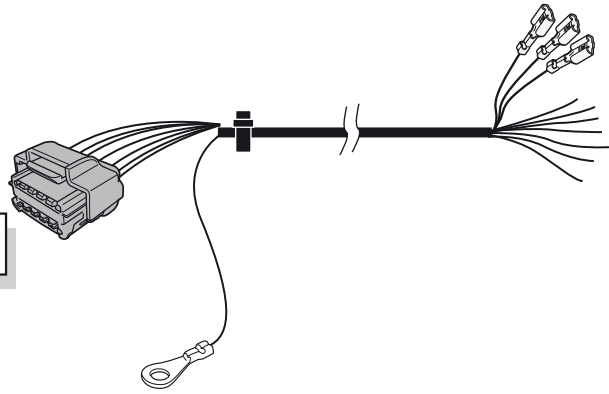
ECS ELECTRONICS

MONDAY TO FRIDAY
08.00 - 11.00 am
12.00 - 05.00 pm
ukts@ecs-electronics.com
www.ecs-electronicsuk.co.uk

Part list



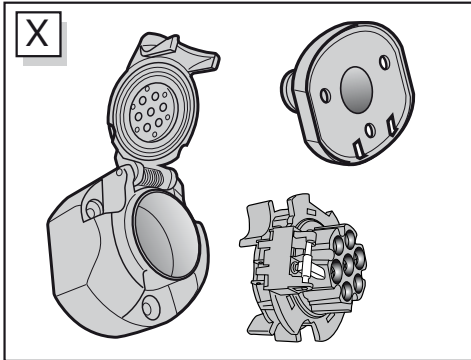
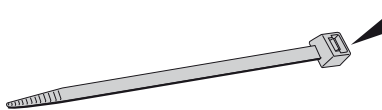
L1



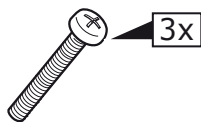
X

G |
—

4x



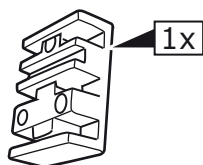
X



3x



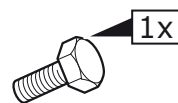
3x



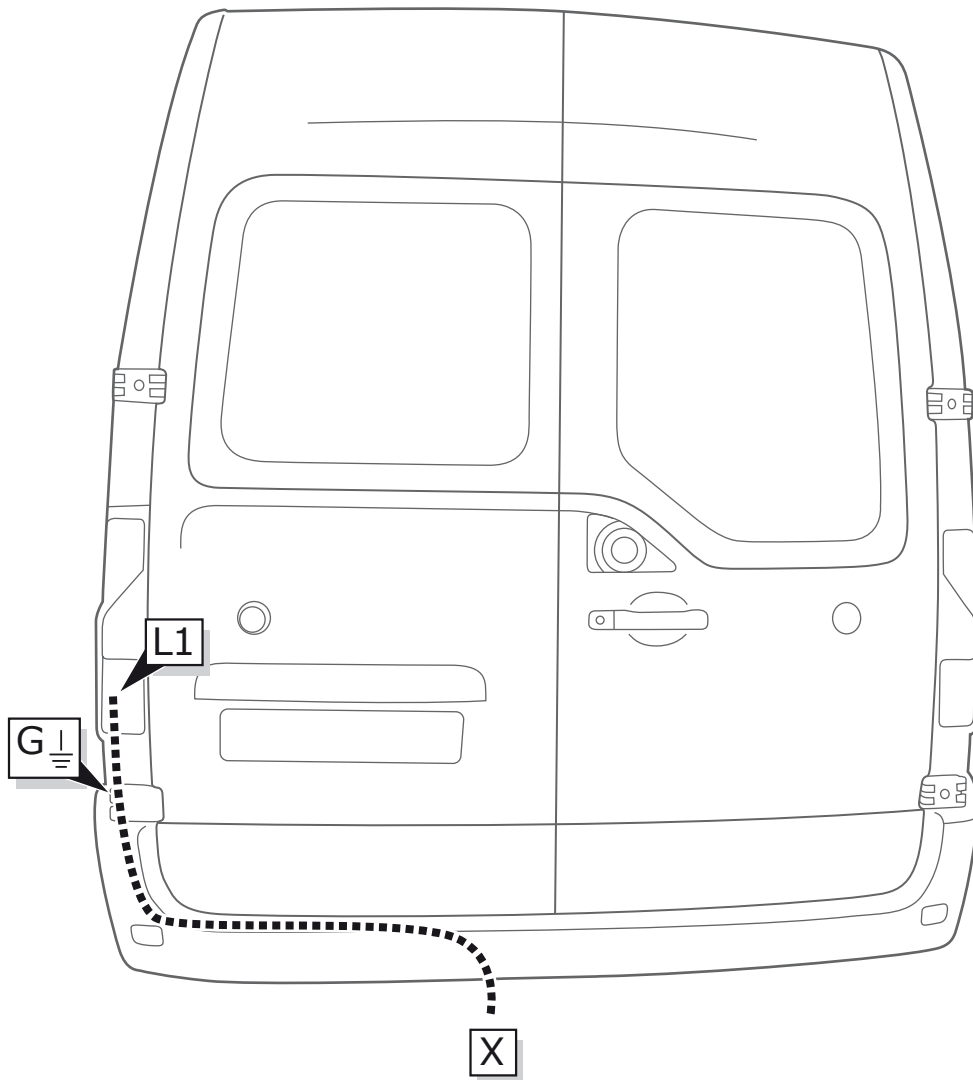
1x



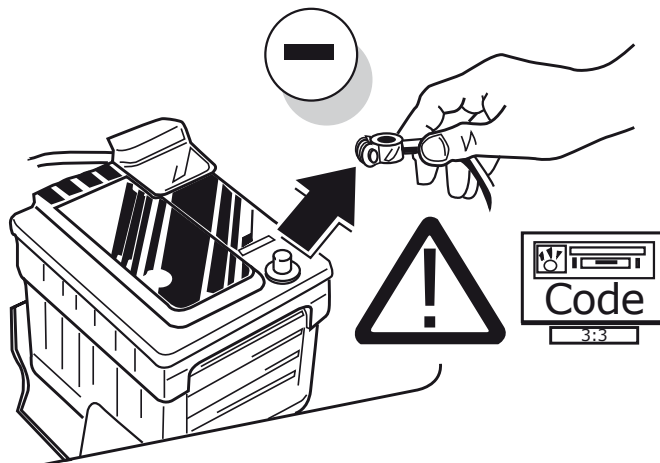
1x



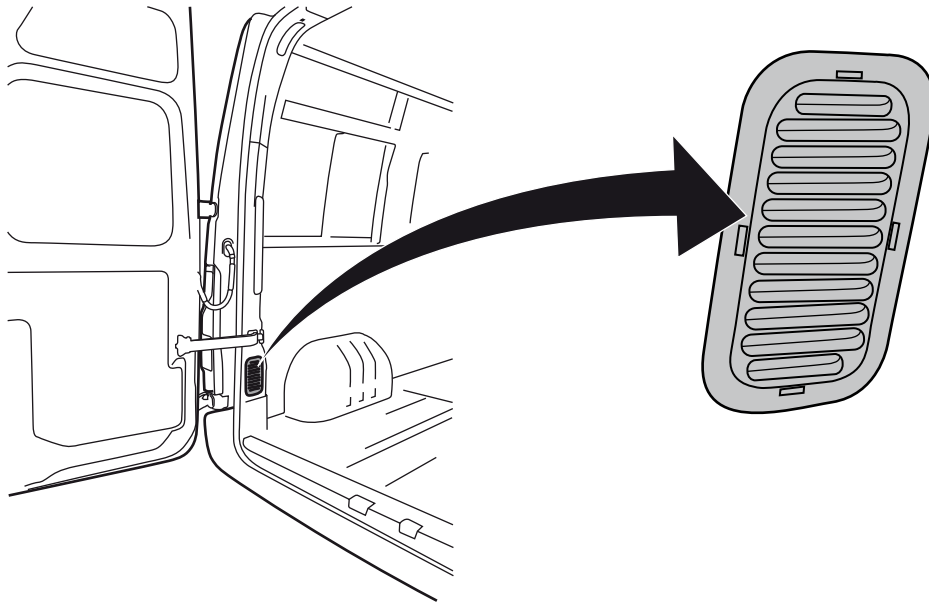
1x



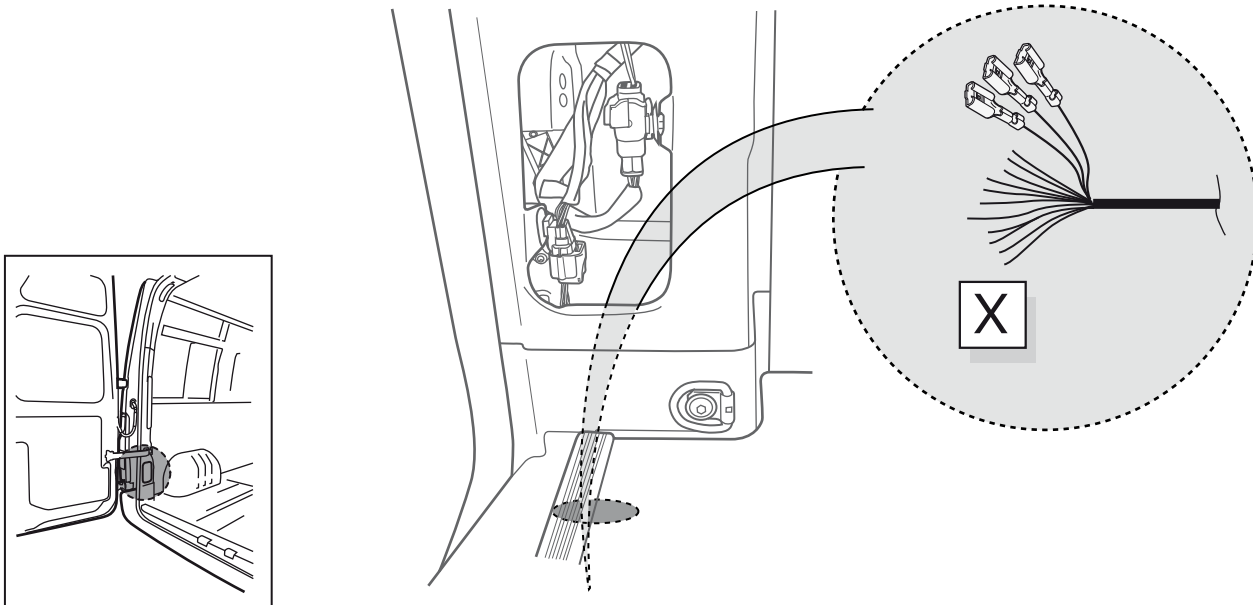
1



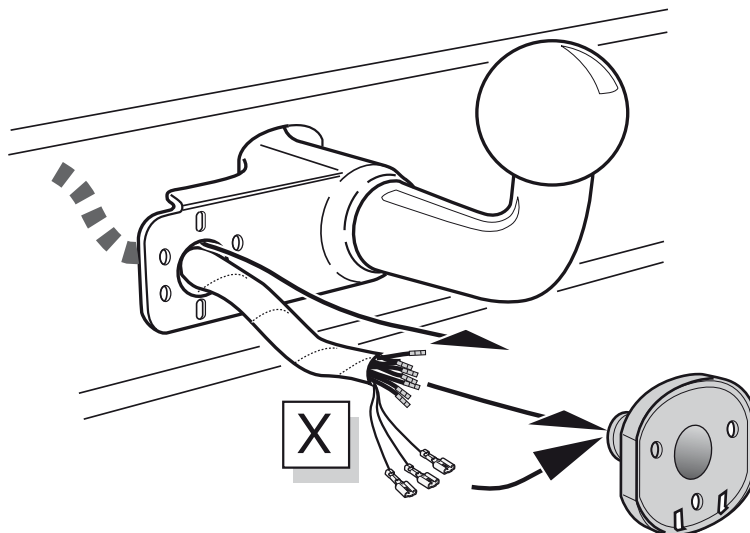
2

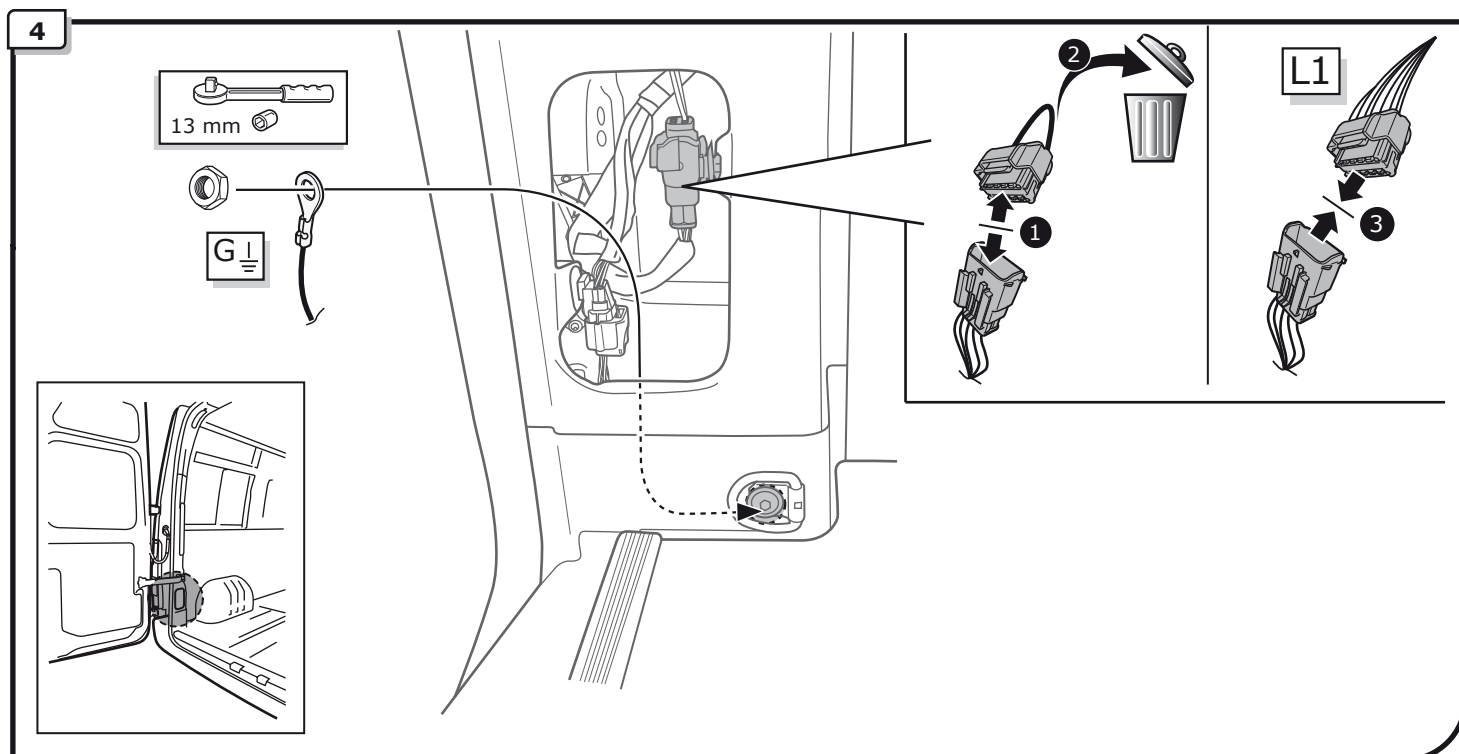
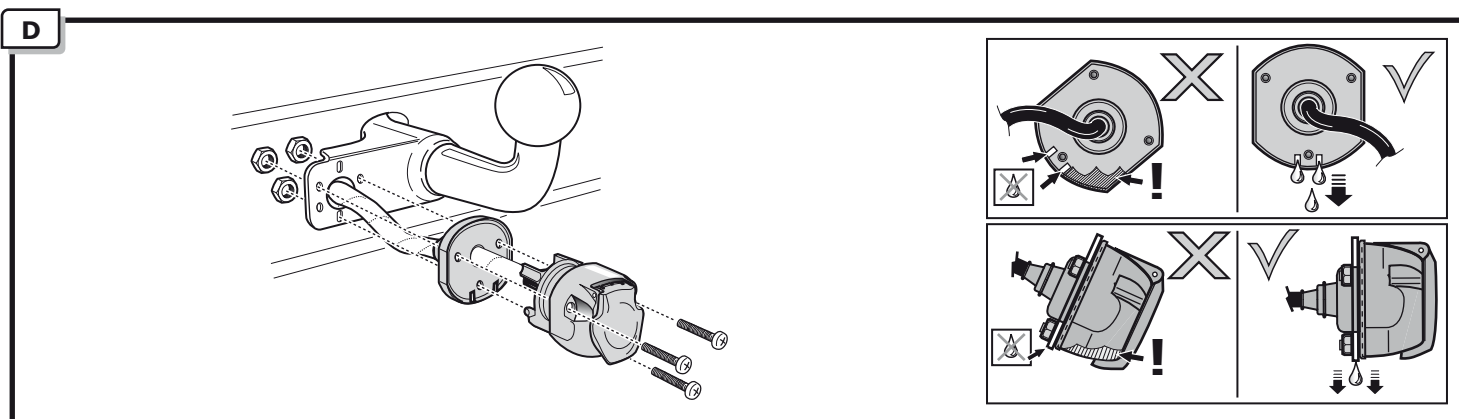
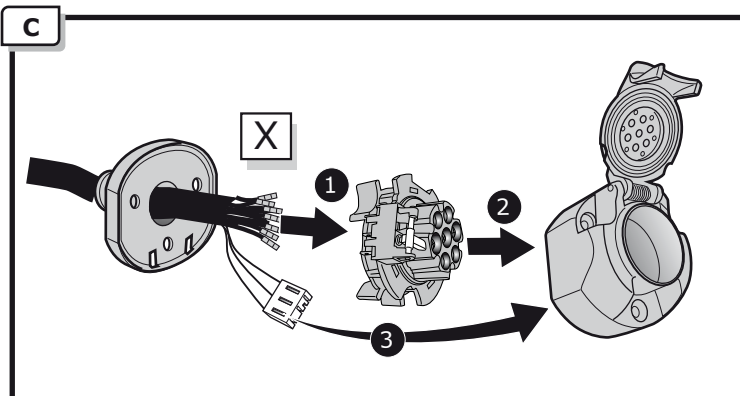
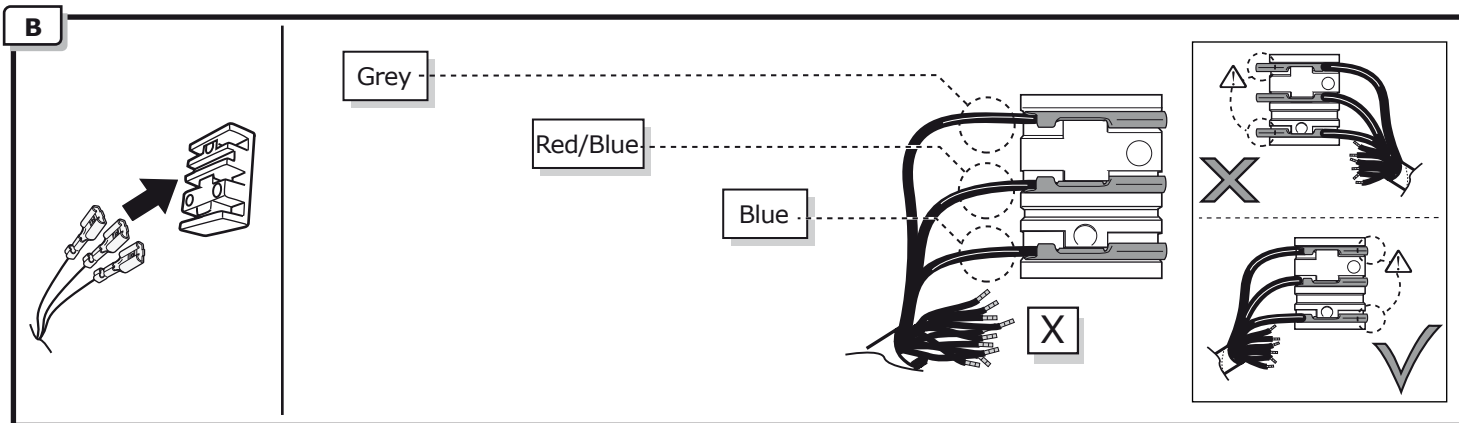


3

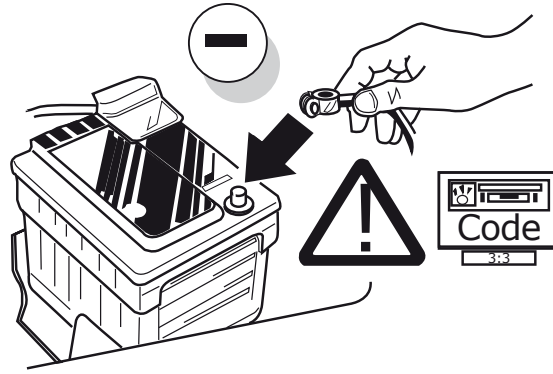


A





5



6

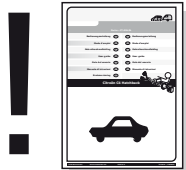
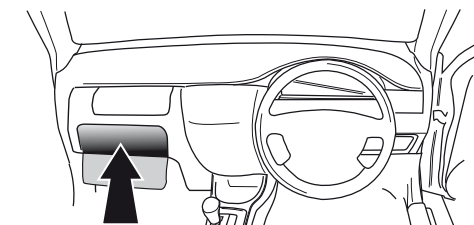


TEST ALL THE CIRCUITS WITH A TEST DEVICE WITH THE CORRECT POWER LOAD FOR EACH FUNCTION. A TEST DEVICE WITH LED'S CANNOT BE USED FOR THIS PURPOSE.

INFO

REINSTALL TRIM.



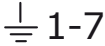




7



User guide

A graphic for technical support. It features a headset icon with the text 'CALL 07440 202 052'. Below this, it lists the support hours: 'MONDAY TO FRIDAY 08.00 - 11.00 am 12.00 - 05.00 pm'. At the bottom, it includes the ECS Electronics logo, the email 't.skinner@ecs-electronics.com', and the website 'www.ecs-electronicsuk.co.uk'. A diagonal banner in the top left corner says 'TECHNICAL SUPPORT'.

SOCKET CONNECTION

DIN/ISO 1724							
	1/L	2	3/31	4/R	5/58-R	6/54	7/58-L
Pmax	21W	2x21W		21W	52W	3x21W	52W
Colour	Yellow	Blue	White	Green	Brown	Red	Black