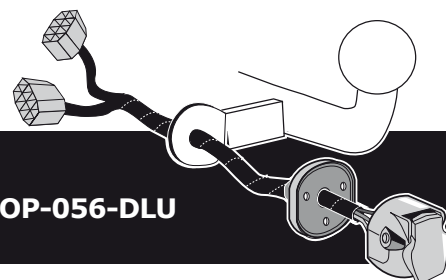


Vehicles with trailer-preparation only!

Opel Movano Van	03/2010 >> 12/2021
Renault Master Van	03/2010 >> 05/2024
Nissan NV400 Van	03/2010 >> 12/2021
Nissan Interstar Van	01/2022 >> 05/2024

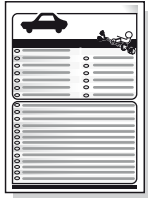
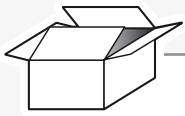
Partnr.: OP-056-DLU



- Fitting instructions electric wiring kit tow bar with 13-P socket up to DIN/ISO Norm 11446.
- We would expressly point out that assembly not carried out properly by a competent installer will result in cancellation of any right to damage compensation, in particular those arising by virtue of the product liability act.
- Contents of these kits and their fitting manuals are subject to alteration without notice, please ensure that these instructions are read and fully understood before commencing installation.
- Do not overload circuits; the maximum loads per connection are detailed in this manual.
- Attention! Before Installation, please read this manual carefully and inform your customer to consult the vehicle owners manual to check for any vehicle modifications required before towing.
- In the event of functional problems, troubleshooting must be limited to about 0.5 hours, contact the technical support:
ukts@ecs-electronics.com / 07440 202 052.



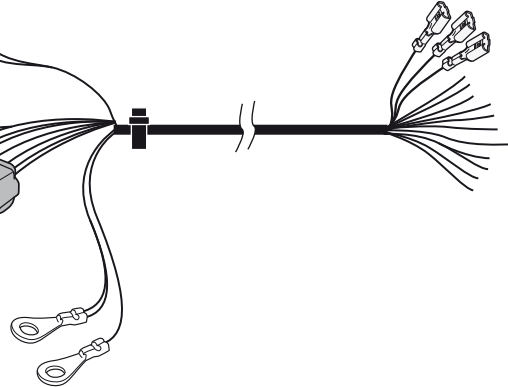
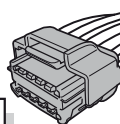
Part list



*



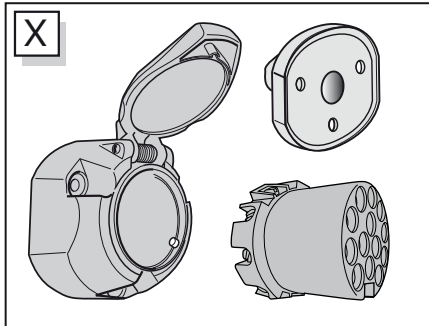
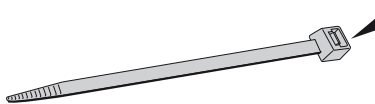
L1



X

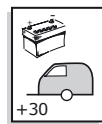
G

4x

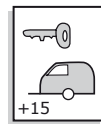


X

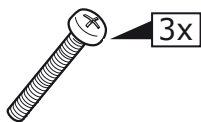
* OPTION
+30/+15
preparation for



+30
Brown/White



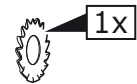
+15
Red



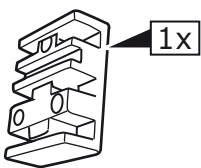
3x



3x



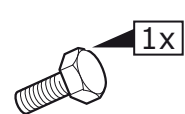
1x



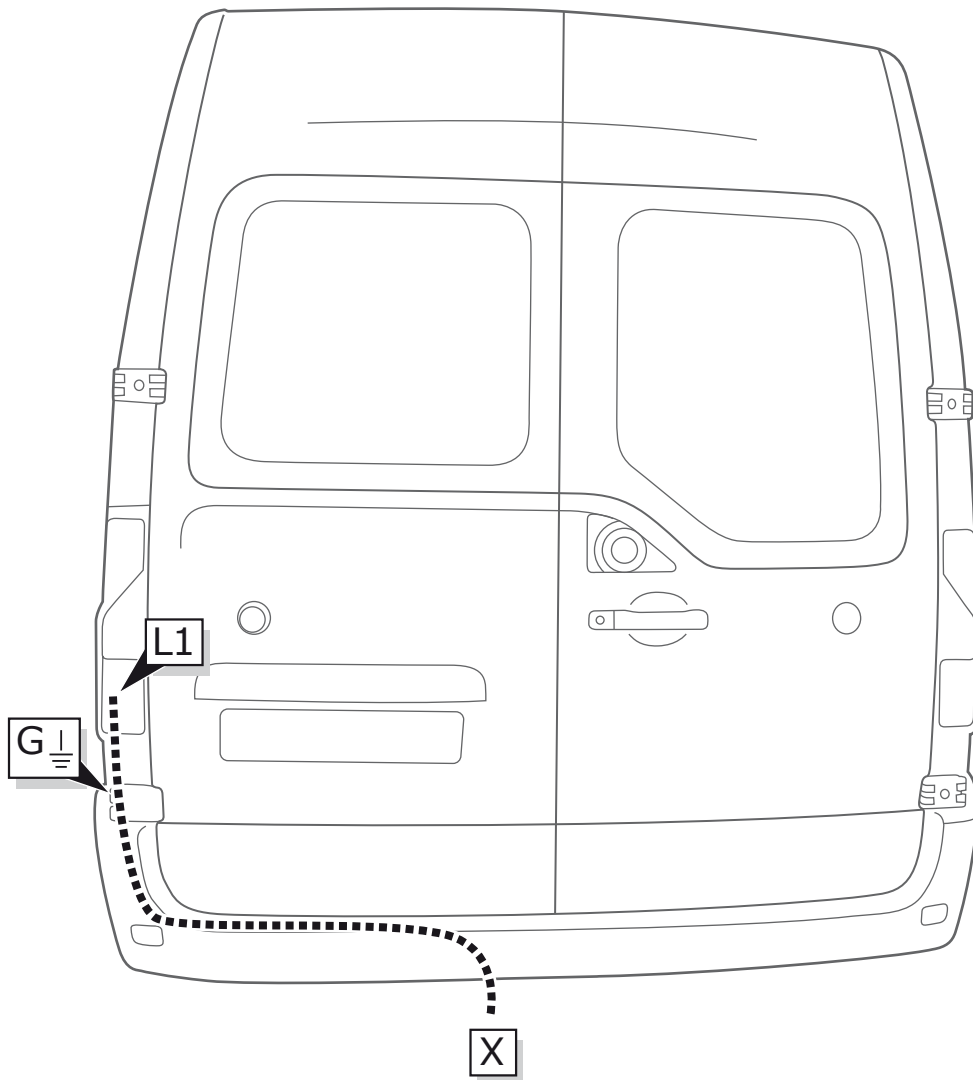
1x



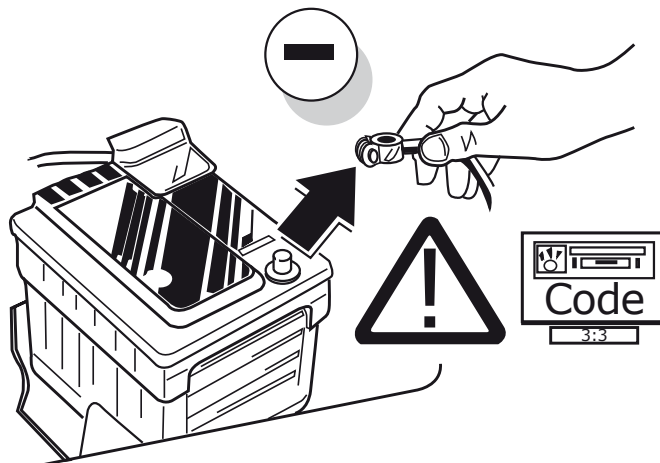
1x



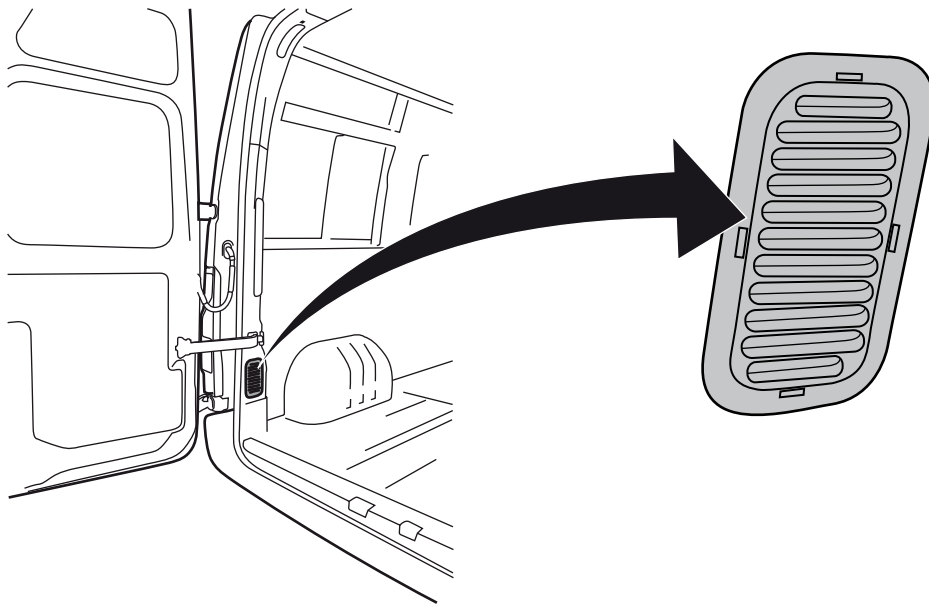
1x



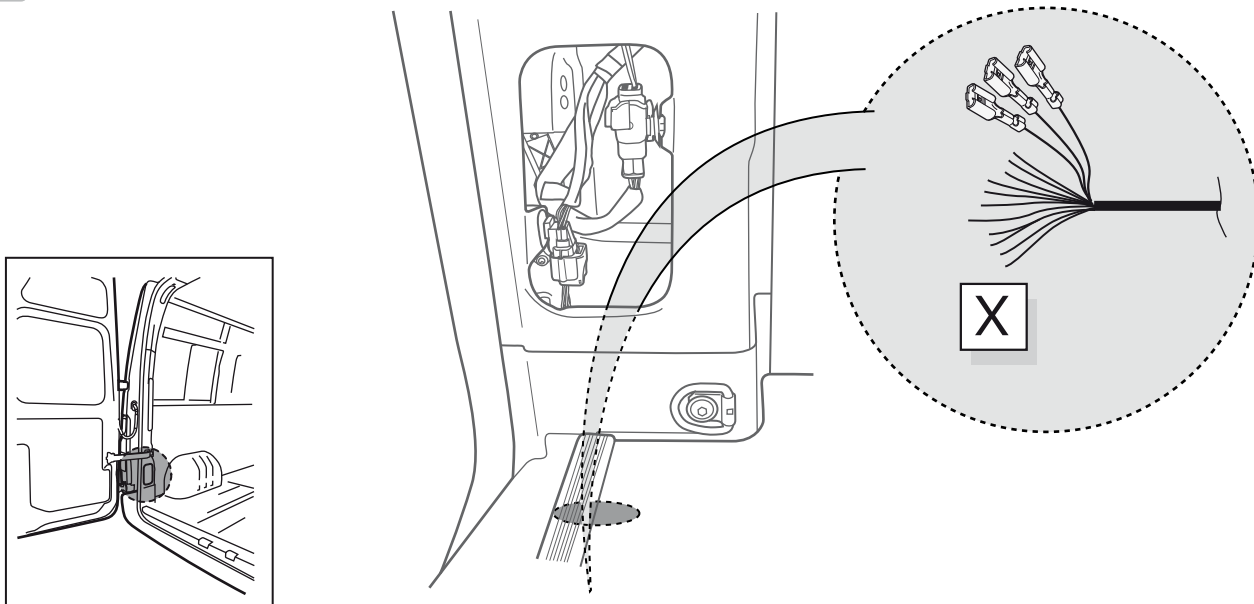
1



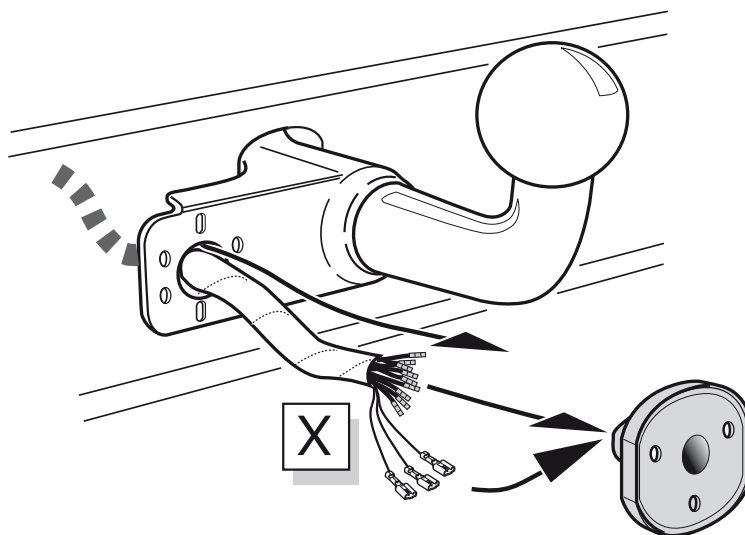
2

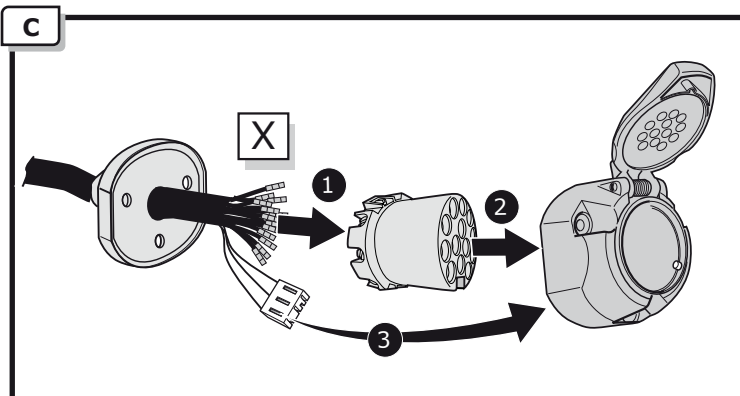
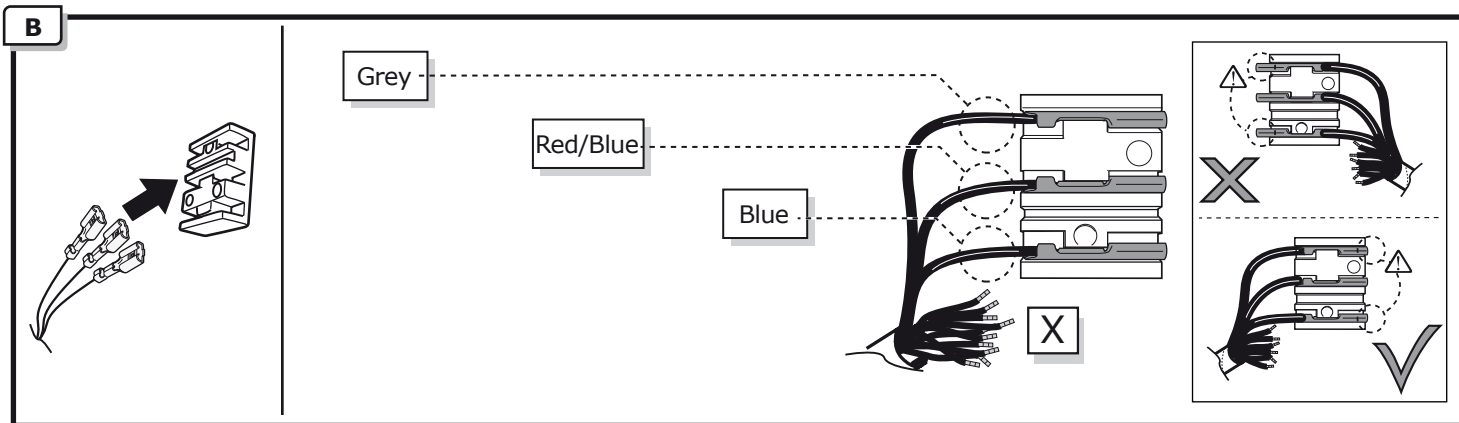


3



A

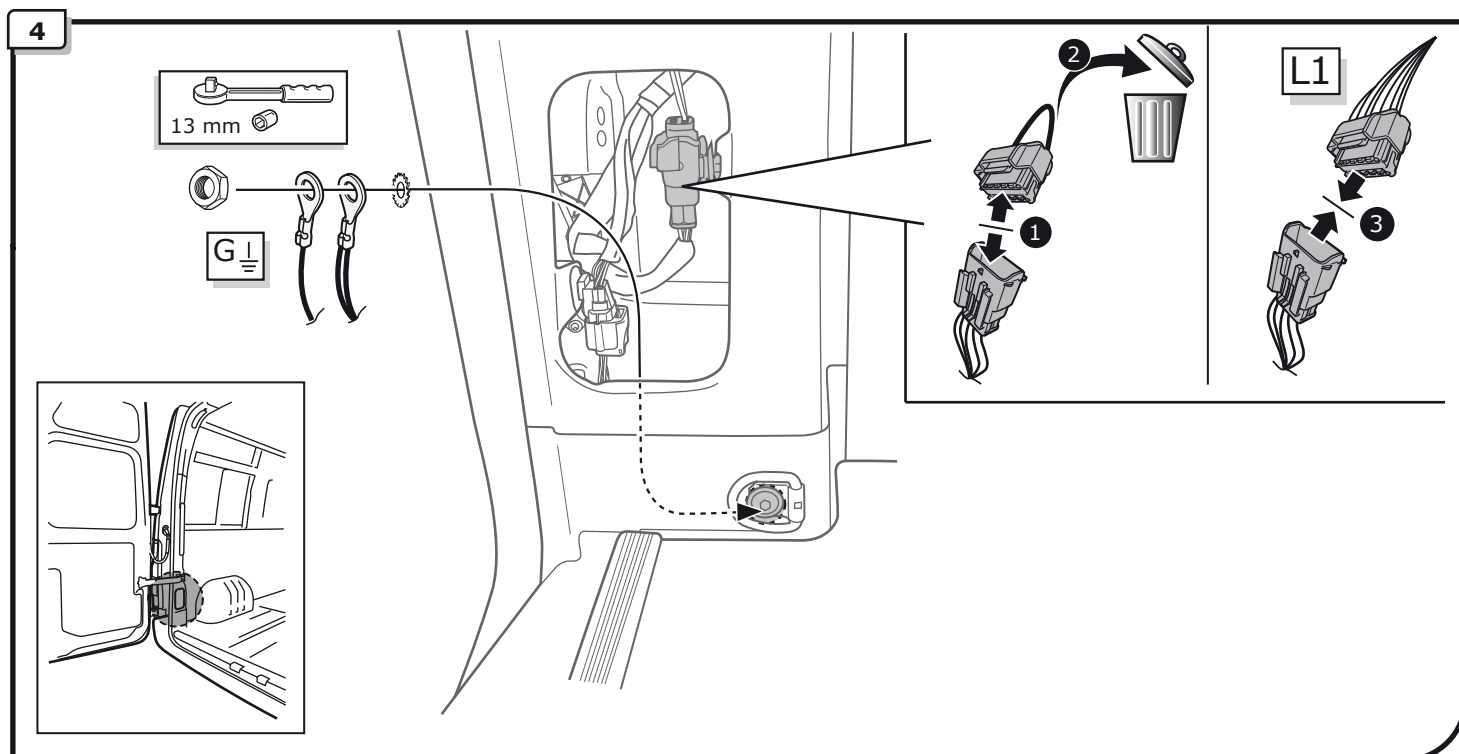
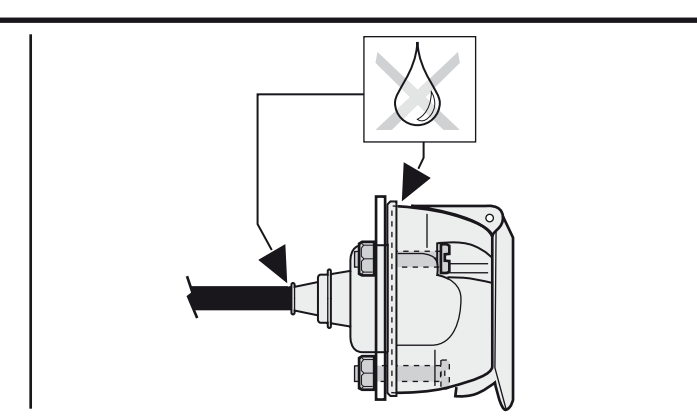
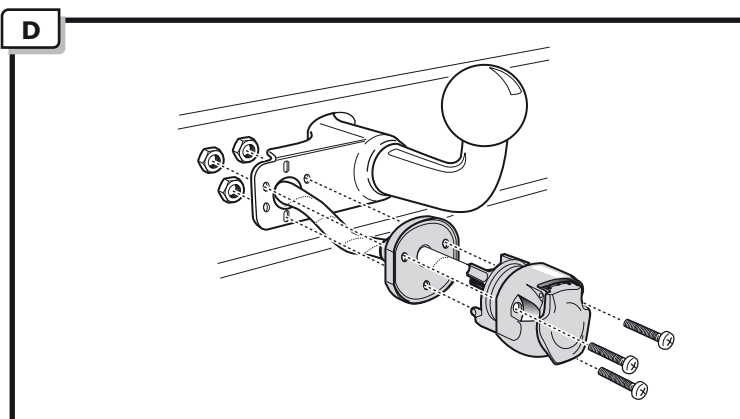




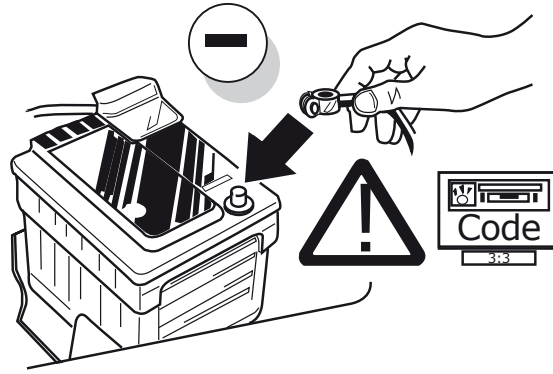
INFO

SOCKET CONNECTION

Page 7



5



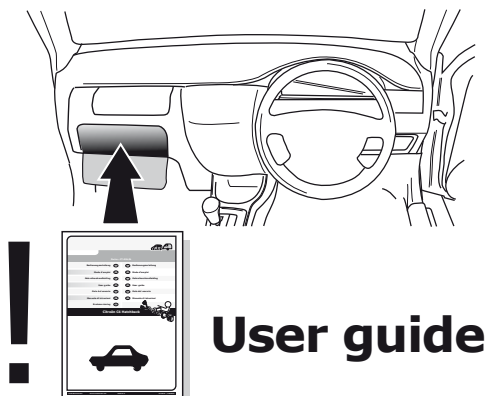
6

TEST ALL THE CIRCUITS WITH A TEST DEVICE WITH THE CORRECT POWER LOAD FOR EACH FUNCTION. A TEST DEVICE WITH LED'S CANNOT BE USED FOR THIS PURPOSE.

INFO

REINSTALL TRIM.

7








TECHNICAL SUPPORT

CALL 07440 202 052

ECS ELECTRONICS MONDAY TO FRIDAY
08.00 - 11.00 am
12.00 - 05.00 pm
t.stinner@ecs-electronics.com
www.ecs-electronicsuk.co.uk

SOCKET CONNECTION

DIN/ISO 11446												—	
	1/L	2	3/31	4/R	5/58-R	6/54	7/58-L	8	9	10	11	12	13
Pmax	21W	2x21W		21W	52W	3x21W	52W	2x21W	180W/15Amp	180W/15Amp			
Colour	Yellow	Blue	White	Green	Brown	Red 1,00 mm ²	Black	Black/ Red	Brown/ White	Red 2,50 mm ²	White	-	White