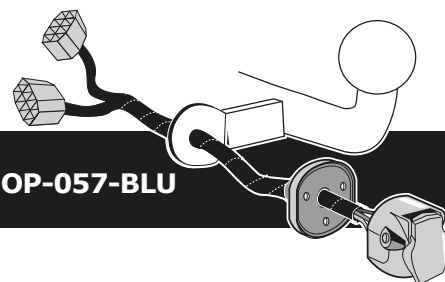


Opel Vivaro 08/2006 >> 07/2014
Renault Trafic 10/2006 >> 07/2014
Nissan Primastar 10/2006 >> 08/2016

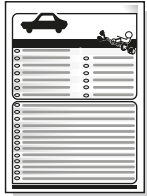
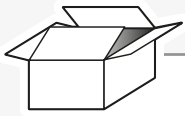


Partnr.: OP-057-BLU

- Fitting instructions electric wiring kit tow bar with 12-N socket up to DIN/ISO Norm 1724.
- We would expressly point out that assembly not carried out properly by a competent installer will result in cancellation of any right to damage compensation, in particular those arising by virtue of the product liability act.
- Contents of these kits and their fitting manuals are subject to alteration without notice, please ensure that these instructions are read and fully understood before commencing installation.
- Do not overload circuits; the maximum loads per connection are detailed in this manual.
- Attention! Before Installation, please read this manual carefully and inform your customer to consult the vehicle owners manual to check for any vehicle modifications required before towing.
- In the event of functional problems, troubleshooting must be limited to about 0.5 hours, contact the technical support:
ukts@ecs-electronics.com / 07440 202 052.



Part list



L2 Only for vehicles with P.D.C.

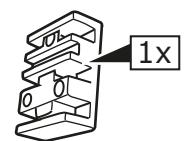
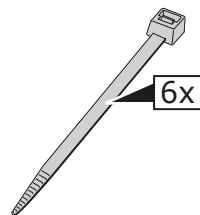
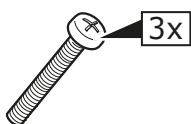
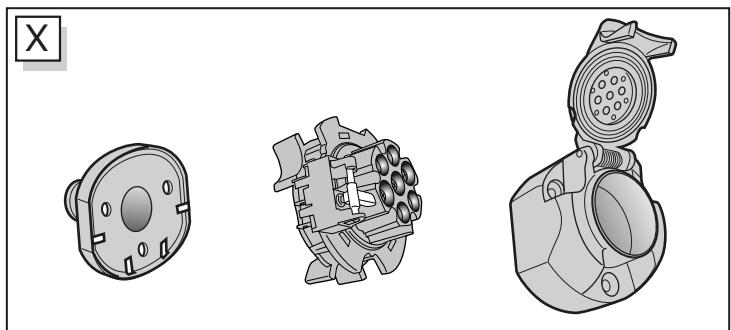
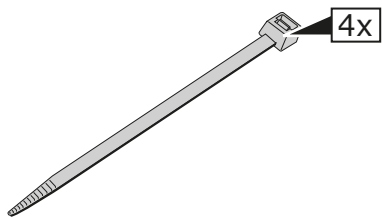
L1

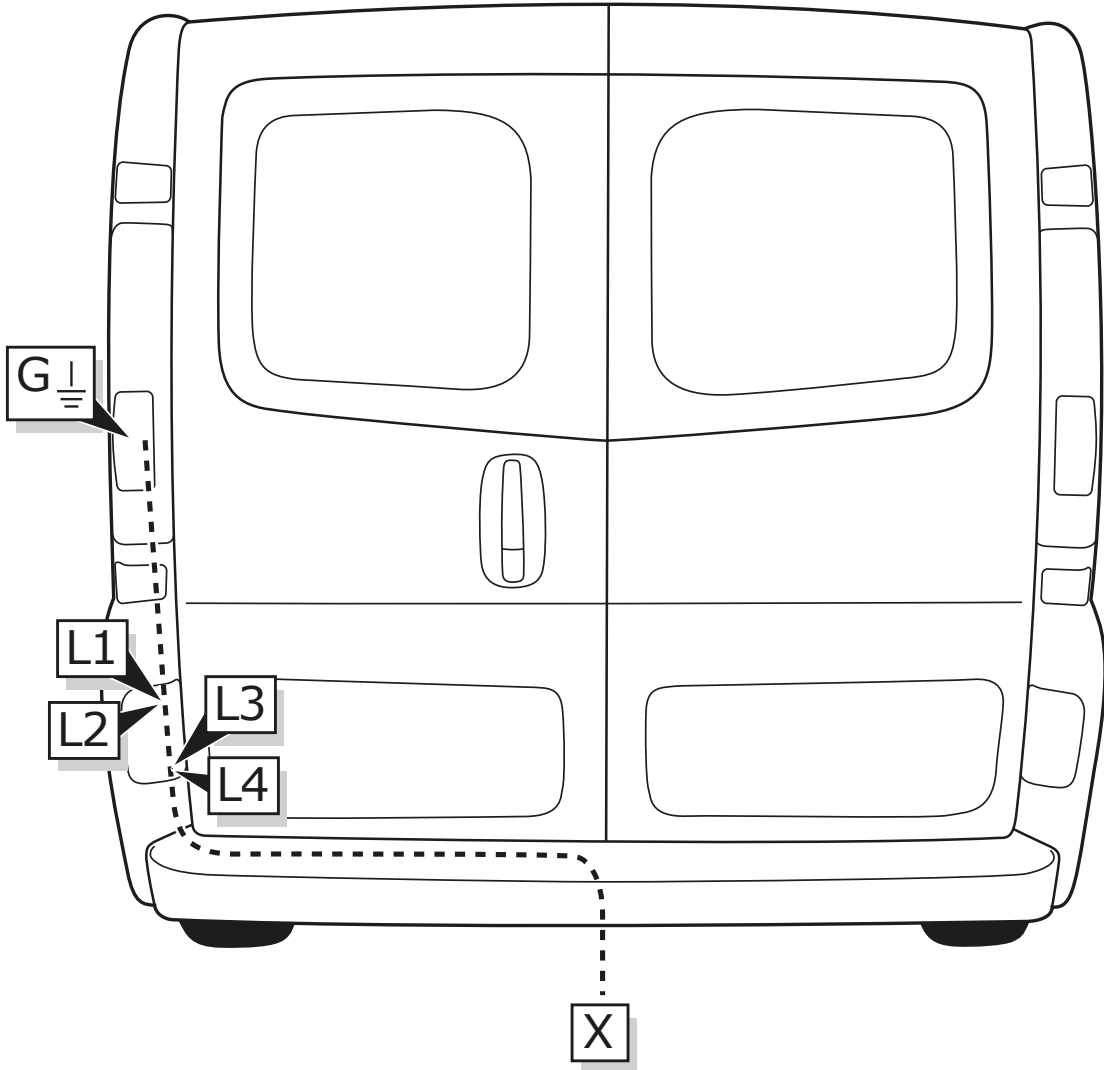
L3 Only for vehicles with P.D.C.

L4

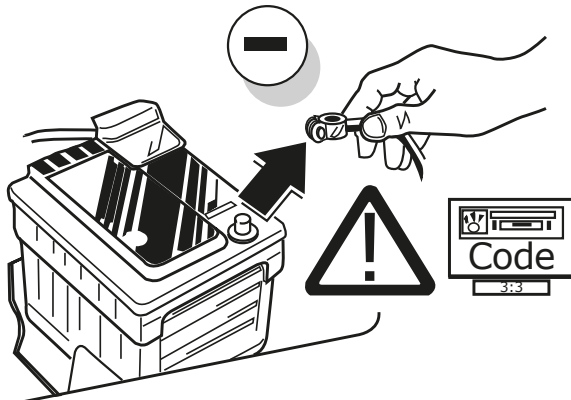
G

X

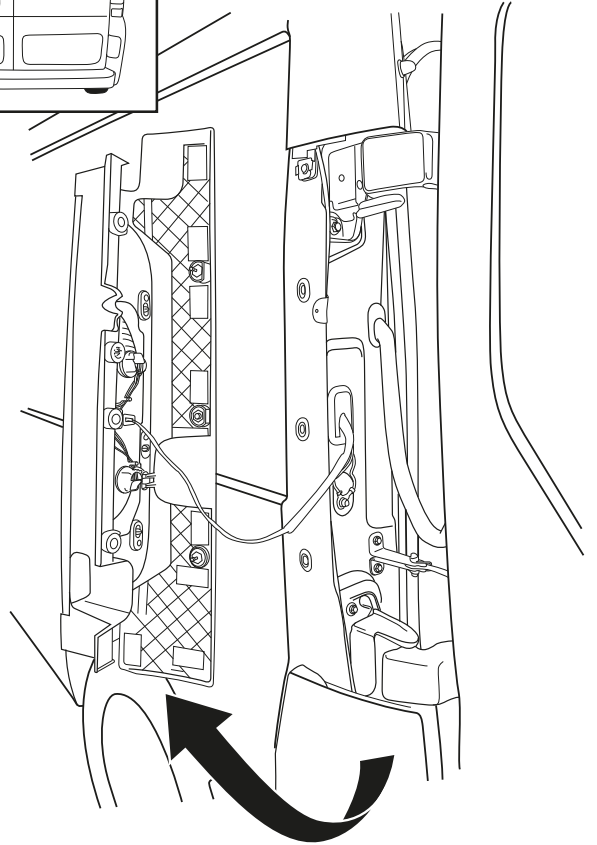
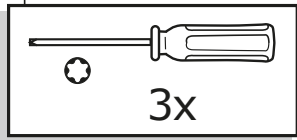
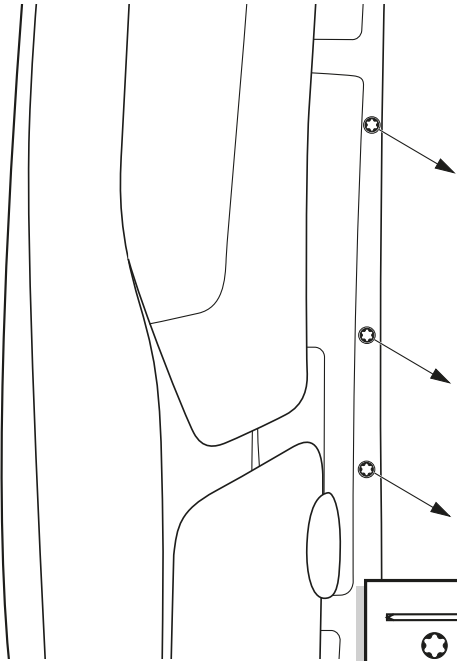
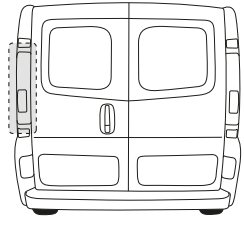
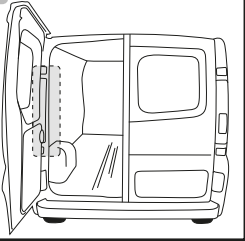




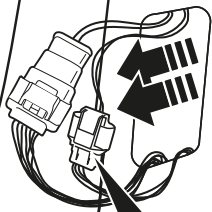
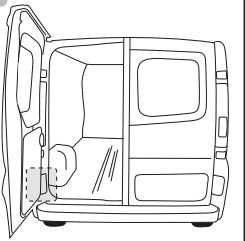
1



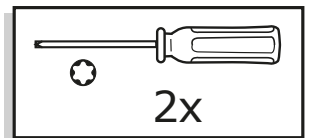
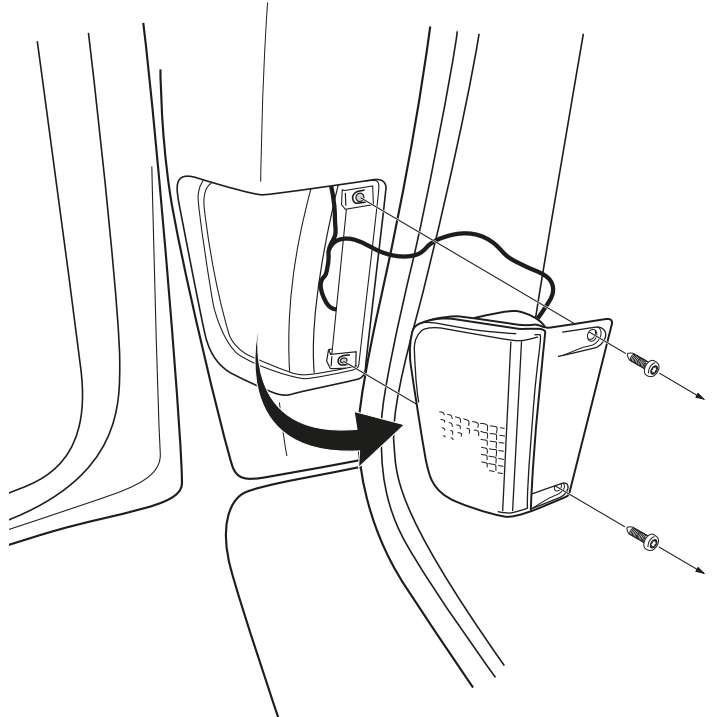
2



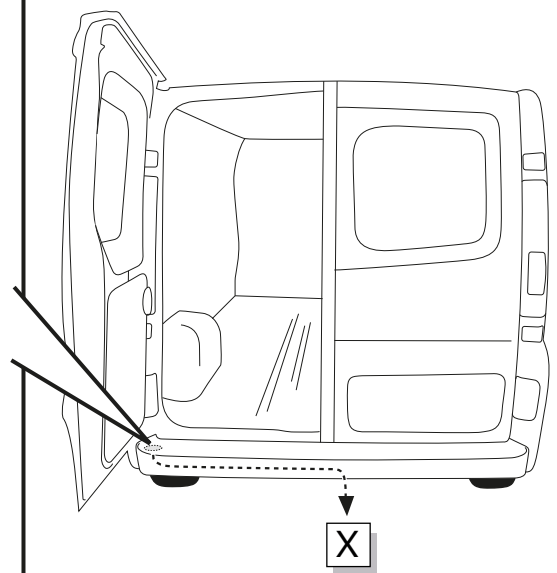
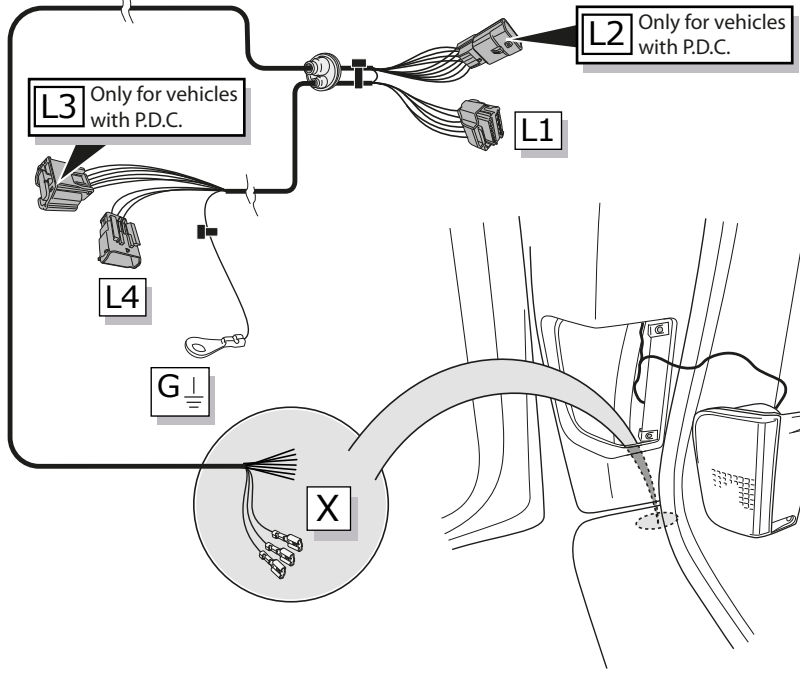
3



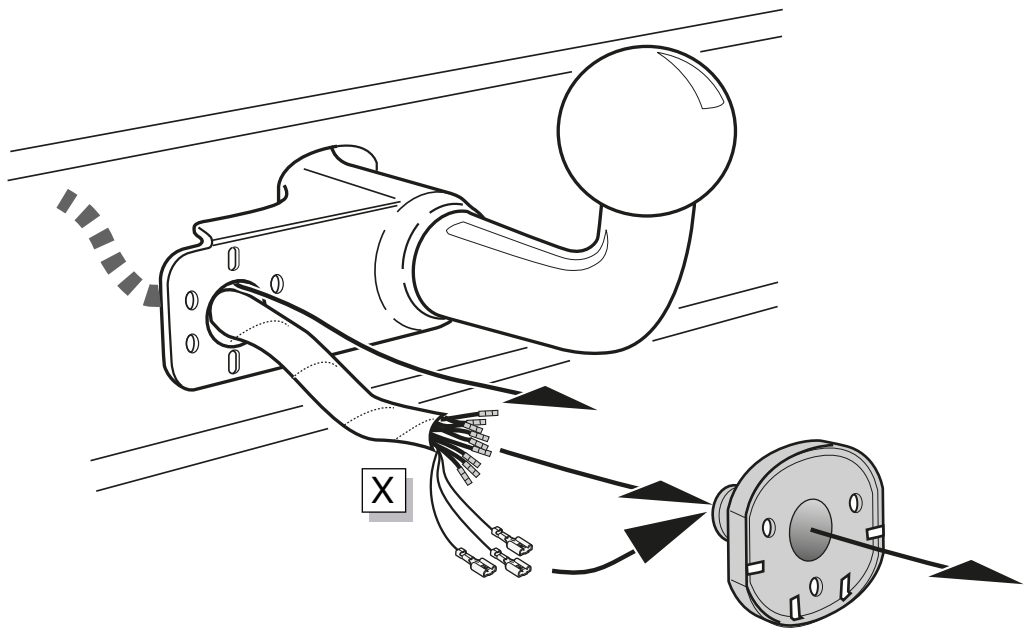
Only for vehicles with P.D.C.



4



A

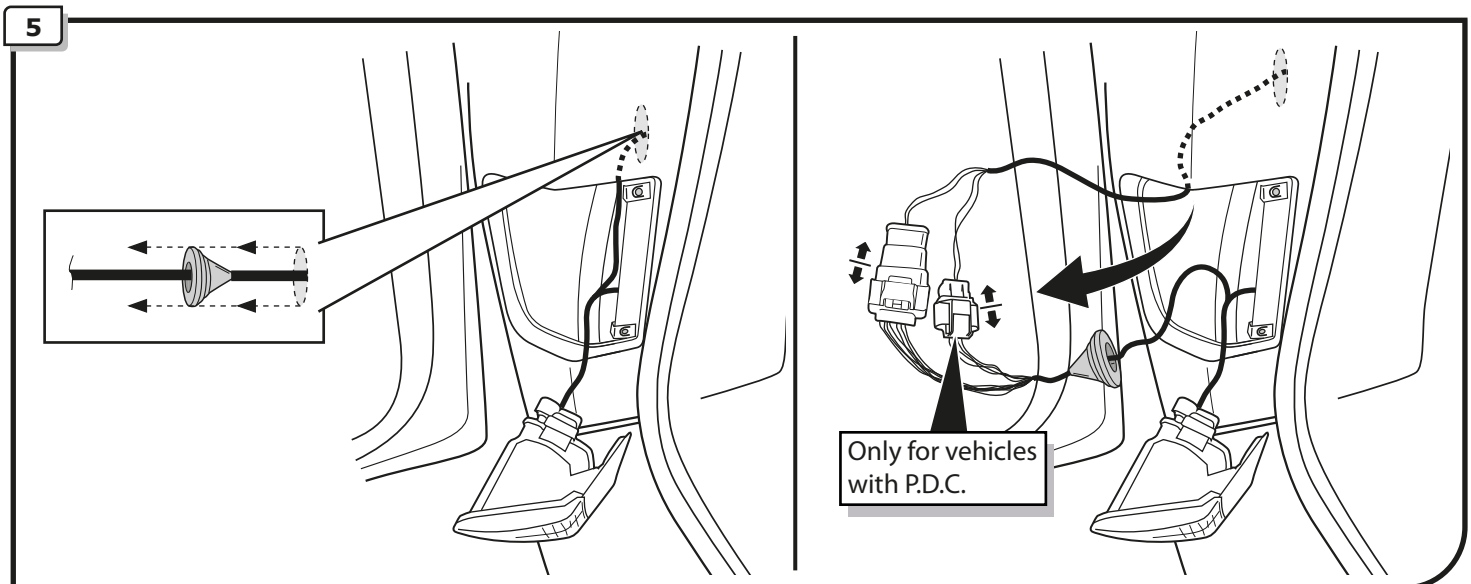
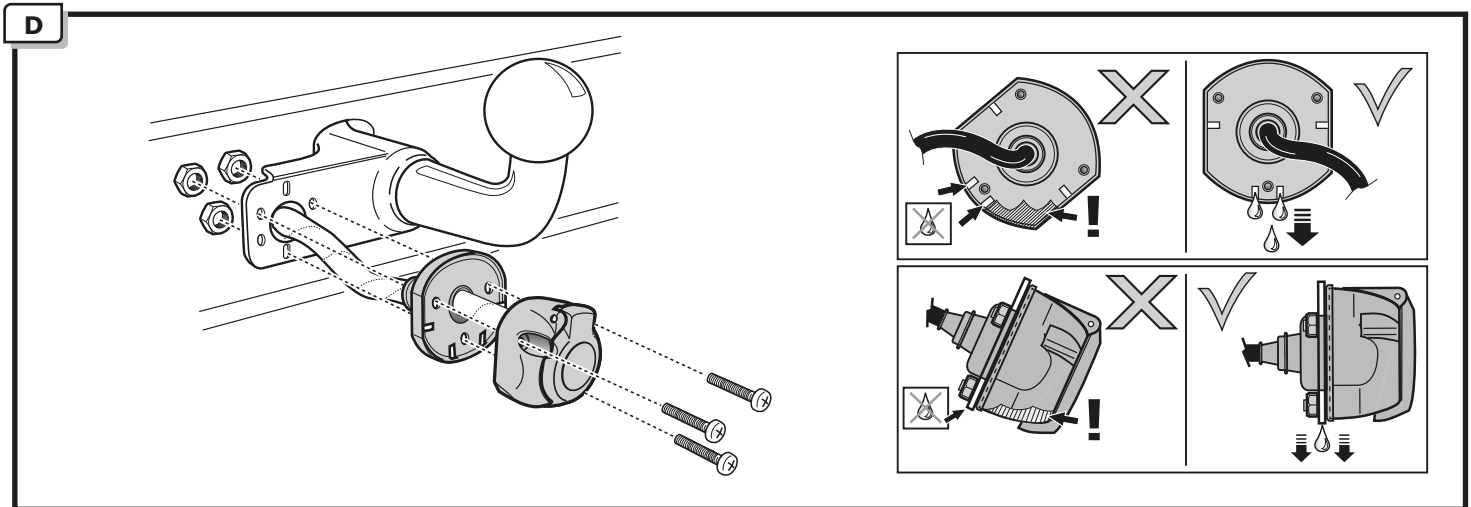
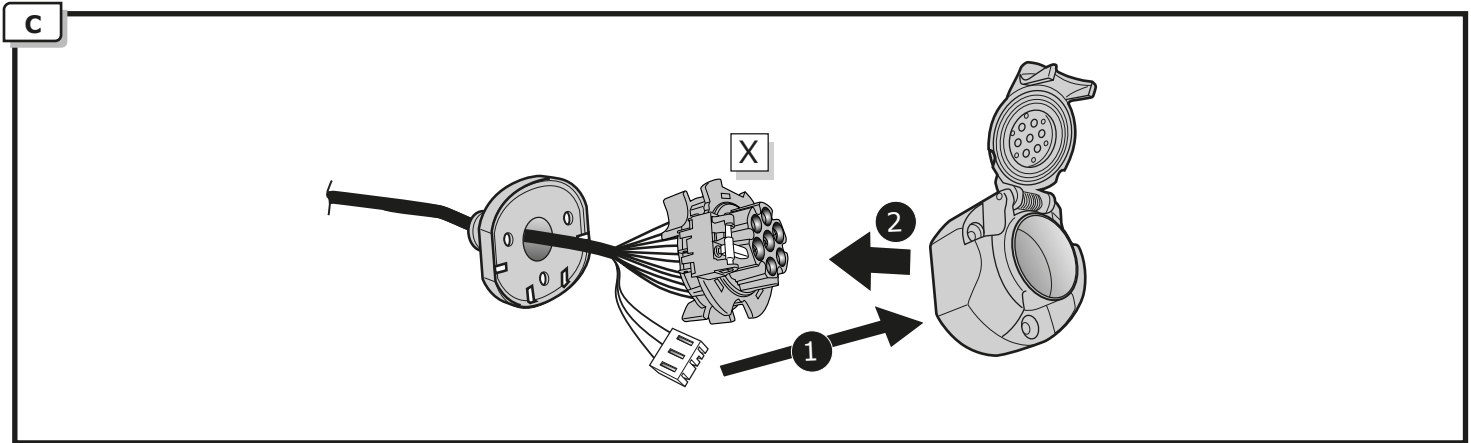
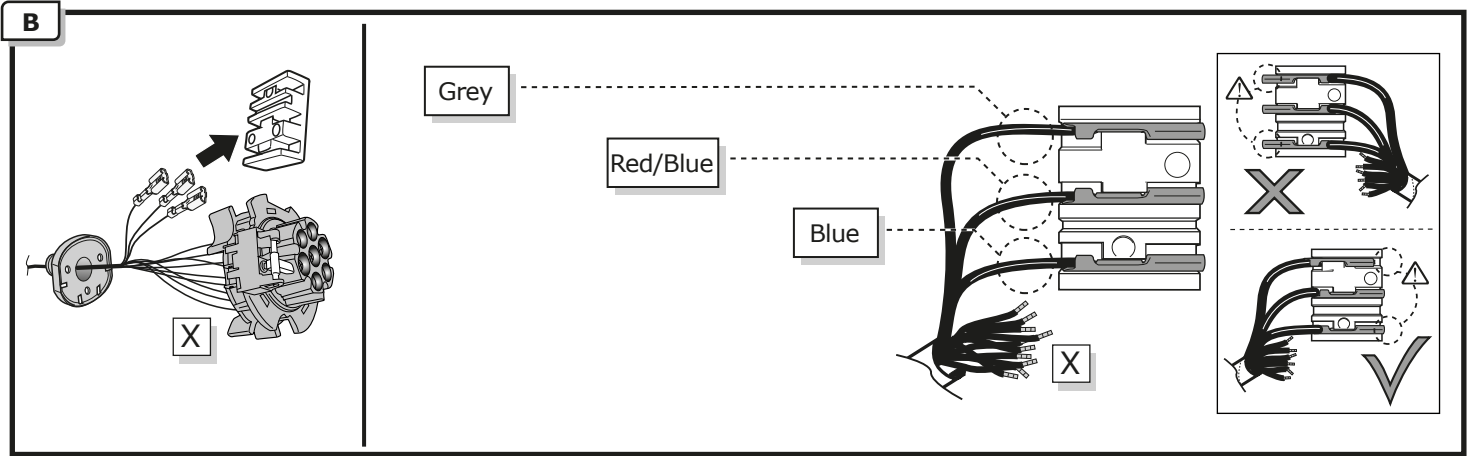


INFO

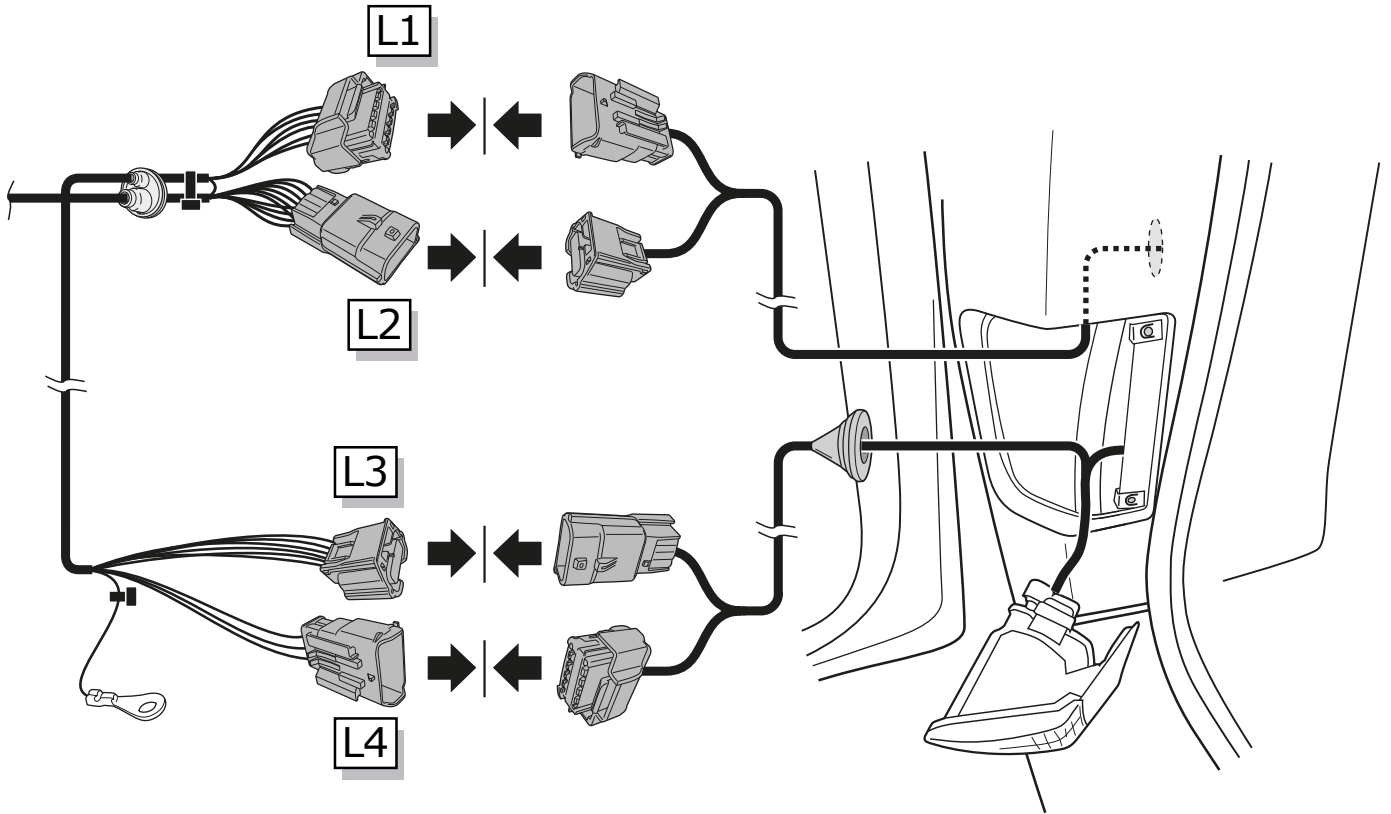
SOCKET CONNECTION



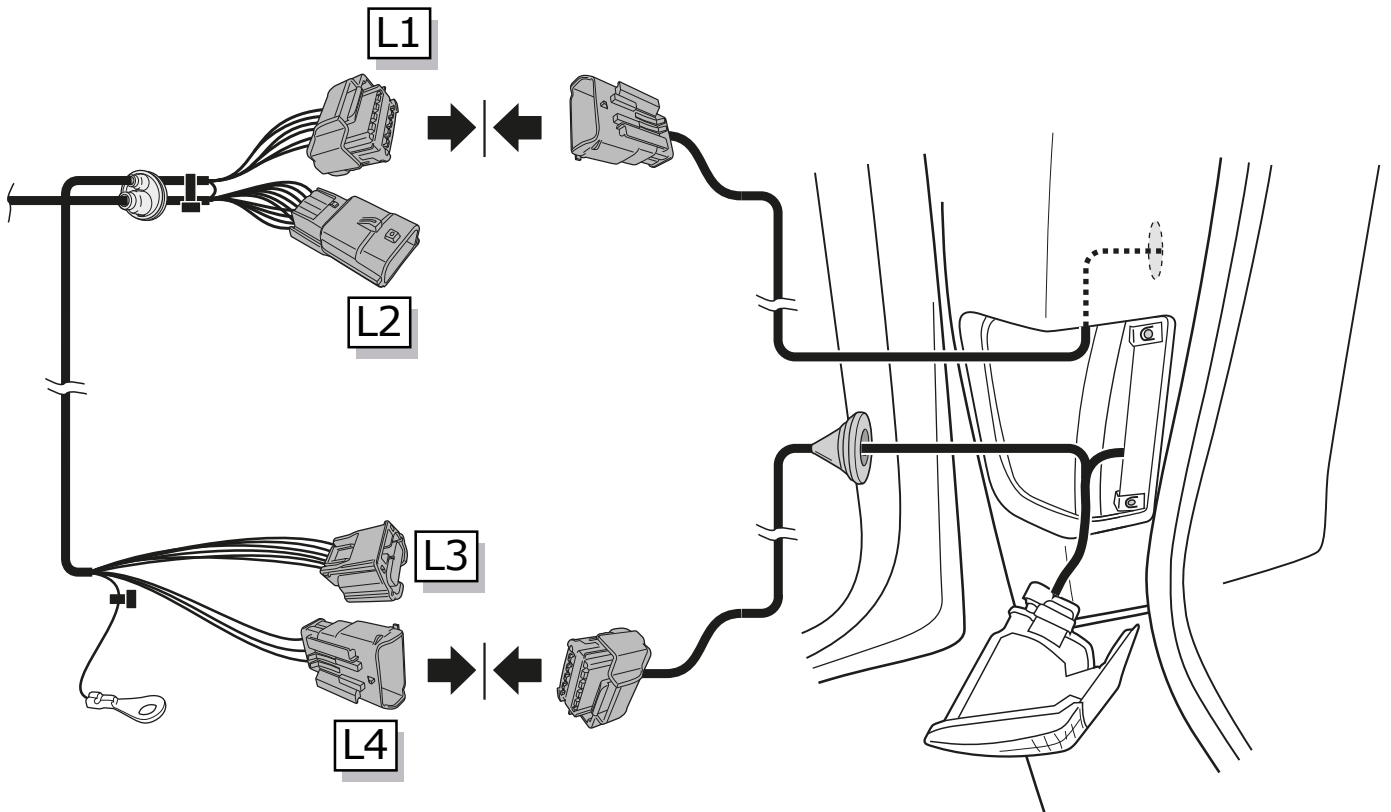
Page 10



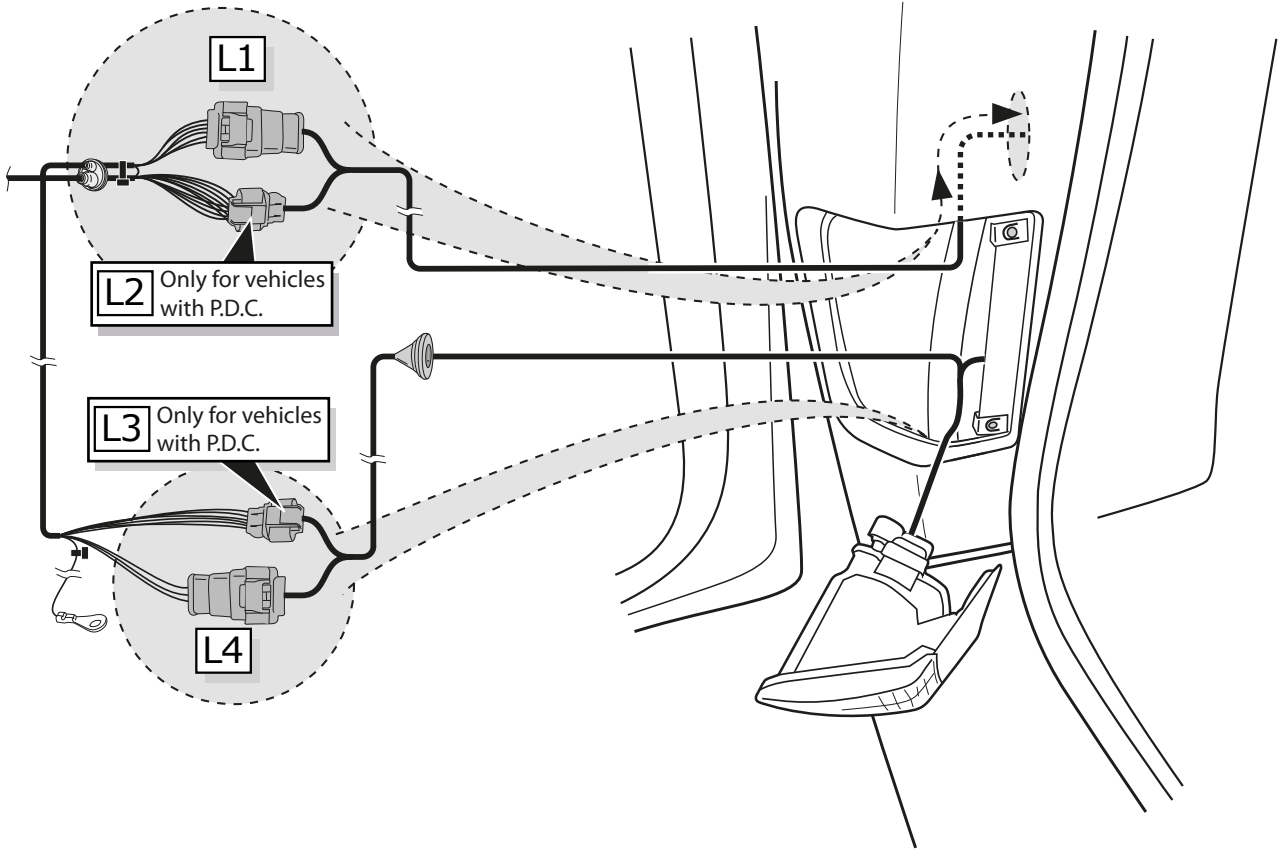
OPTION 1: For vehicles with P.D.C.



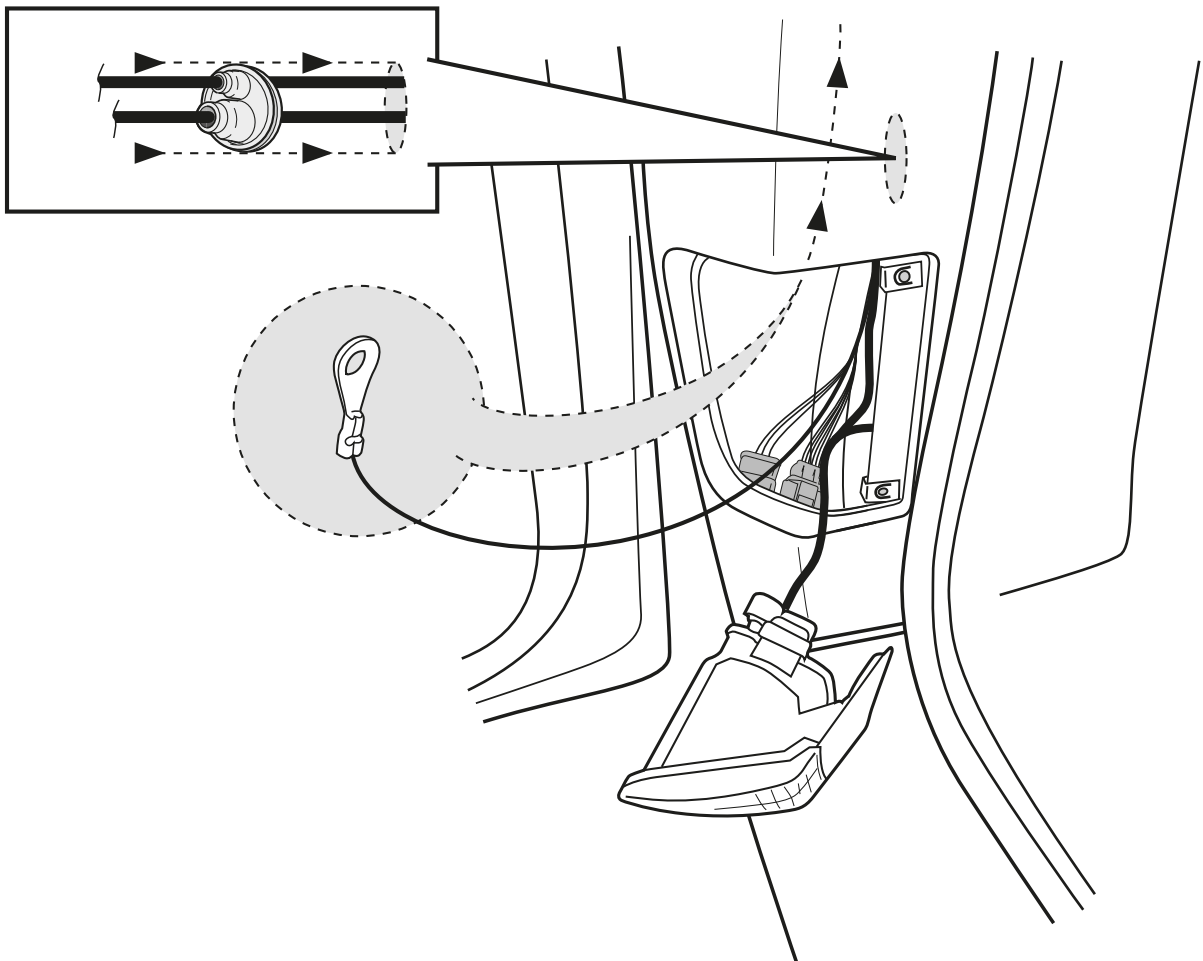
OPTION 2: For vehicles without P.D.C.



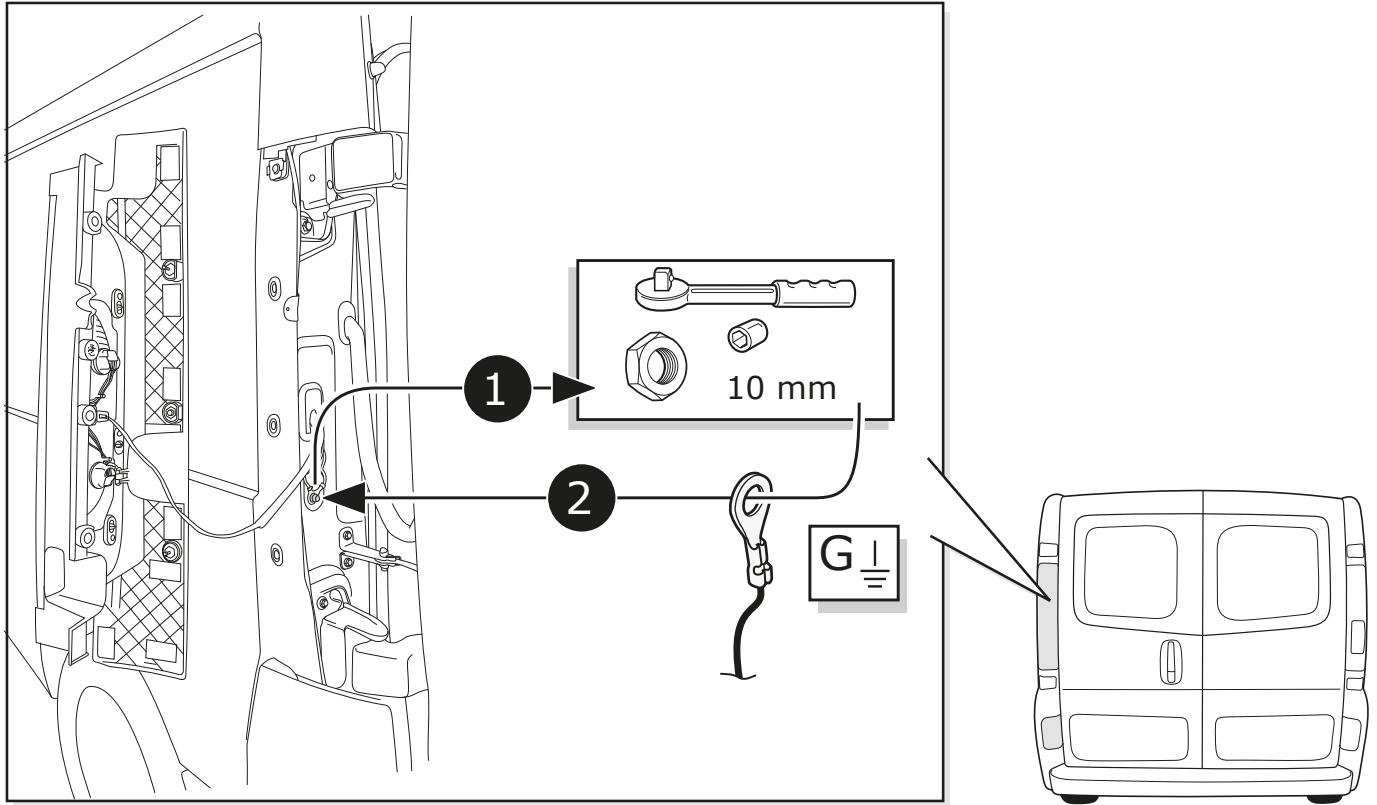
7



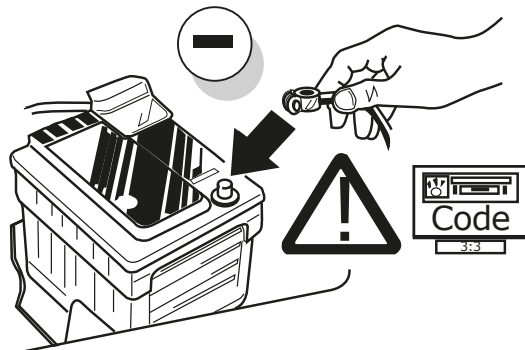
8



9



10



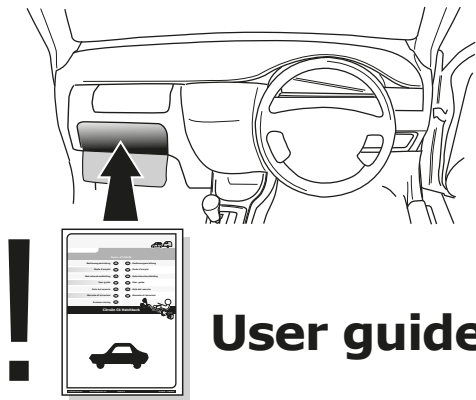
11

! TEST ALL THE CIRCUITS WITH A TEST DEVICE WITH THE CORRECT POWER LOAD FOR EACH FUNCTION. A TEST DEVICE WITH LED'S CANNOT BE USED FOR THIS PURPOSE.

INFO

REINSTALL TRIM.

12



User guide



INFO

SOCKET CONNECTION

DIN/ISO 1724							
	1/L	2	3/31	4/R	5/58-R	6/54	7/58-L
Pmax	21W	2x21W		21W	52W	3x21W	52W
Colour	Yellow	Blue	White	Green	Brown	Red	Black