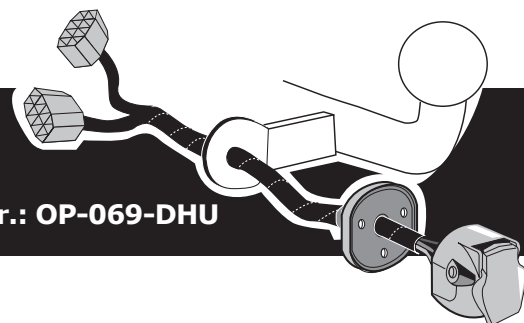


Vauxhall Vivaro B	08/2014 >> 08/2019
Renault Trafic	08/2014 >> 12/2021
Renault Trafic Combi	03/2021 >> 12/2021
Renault Trafic Spaceclass	03/2021 >> 12/2021
Fiat Talento	07/2016 >> 12/2021
Nissan NV 300	09/2016 >> 12/2021

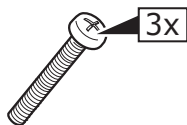
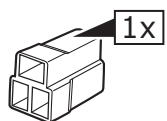
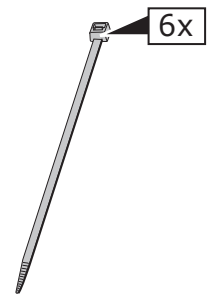
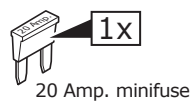
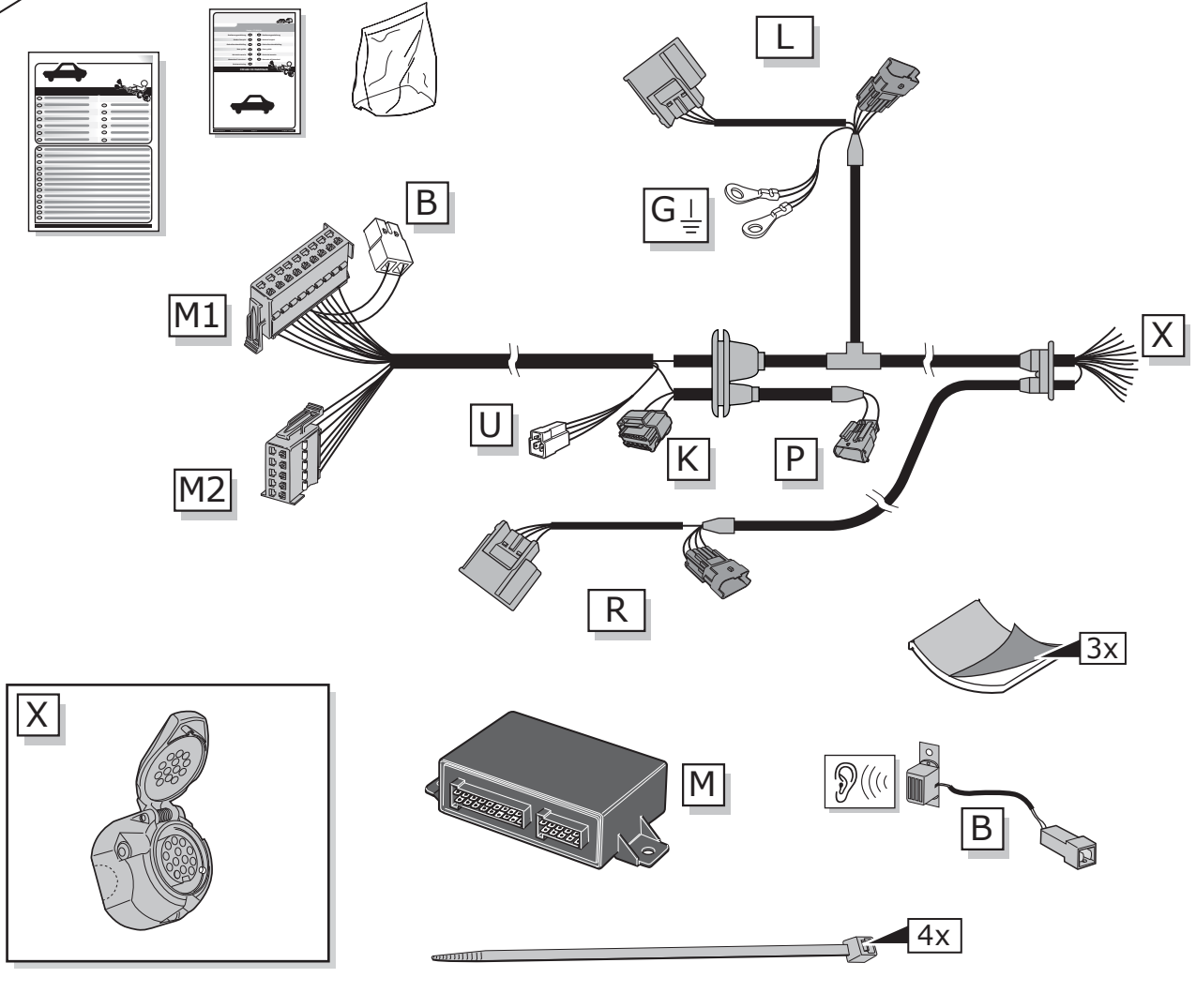
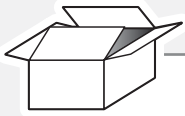


Partnr.: OP-069-DHU

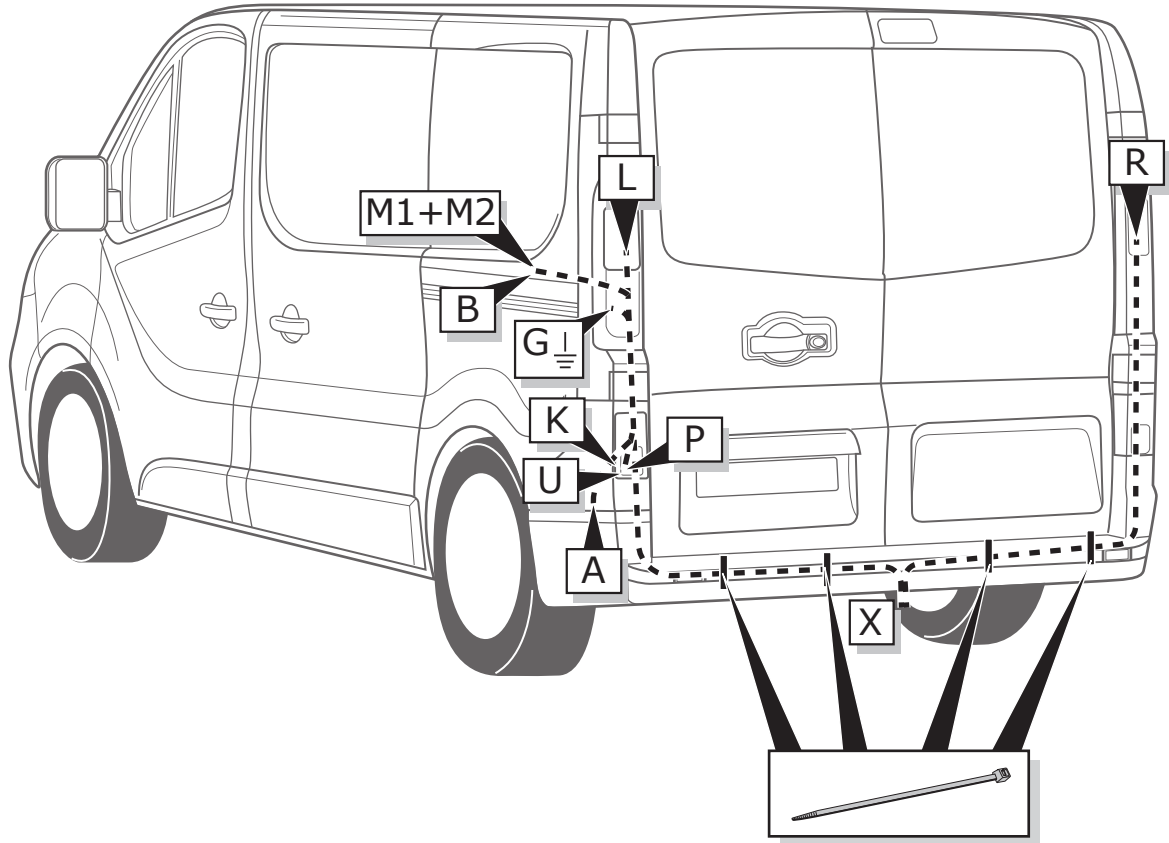
- Fitting instructions electric wiring kit tow bar with 13-P socket up to DIN/ISO Norm 11446.
- We would expressly point out that assembly not carried out properly by a competent installer will result in cancellation of any right to damage compensation, in particular those arising by virtue of the product liability act.
- Contents of these kits and their fitting manuals are subject to alteration without notice, please ensure that these instructions are read and fully understood before commencing installation.
- Do not overload circuits; the maximum loads per connection are detailed in this manual.
- Attention! Before Installation, please read this manual carefully and inform your customer to consult the vehicle owners manual to check for any vehicle modifications required before towing.
- In the event of functional problems, troubleshooting must be limited to about 0.5 hours, contact the technical support:
ukts@ecs-electronics.com / 07440 202 052.



Part list



ROUTING

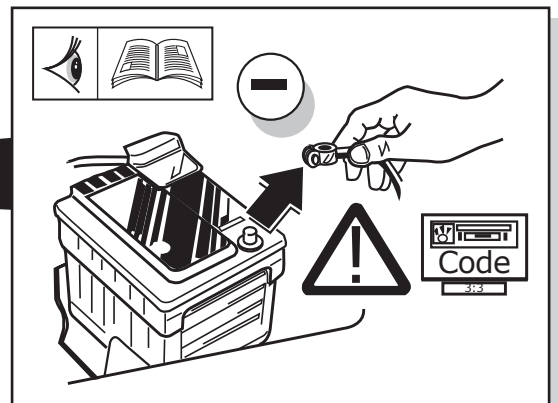
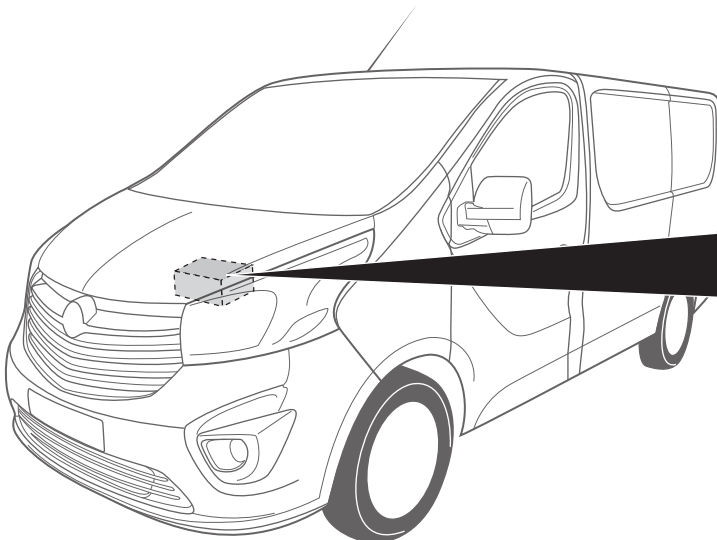


INFO

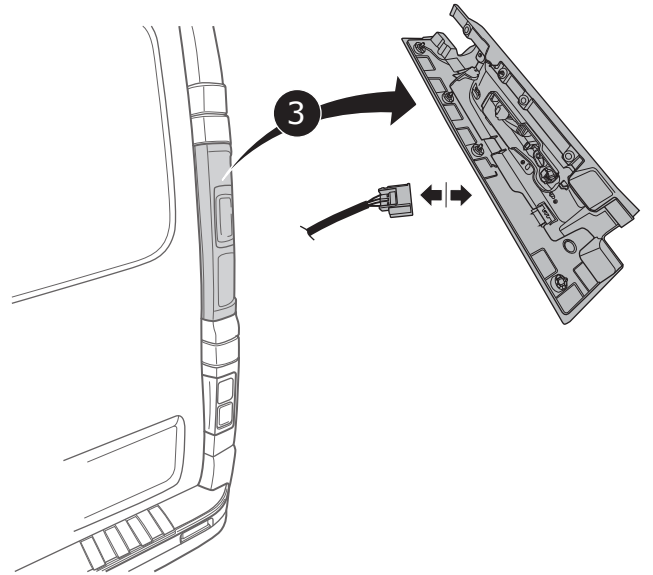
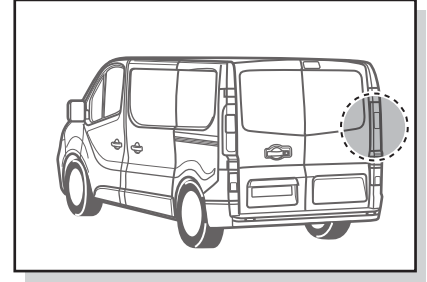
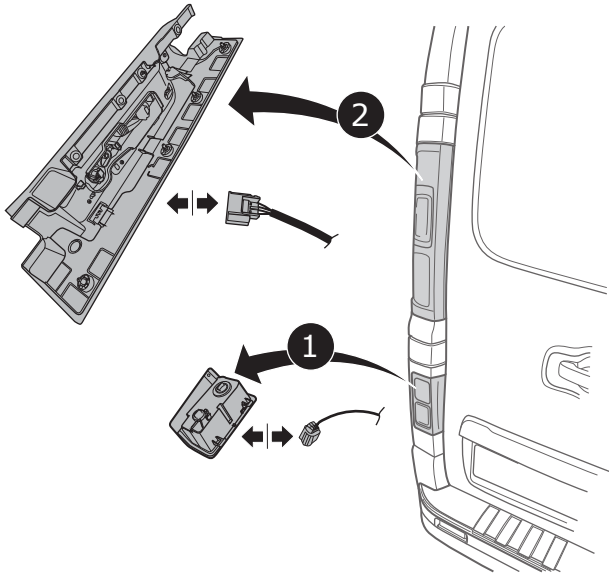
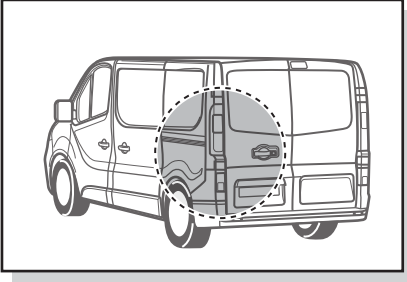


See Workshop Manual

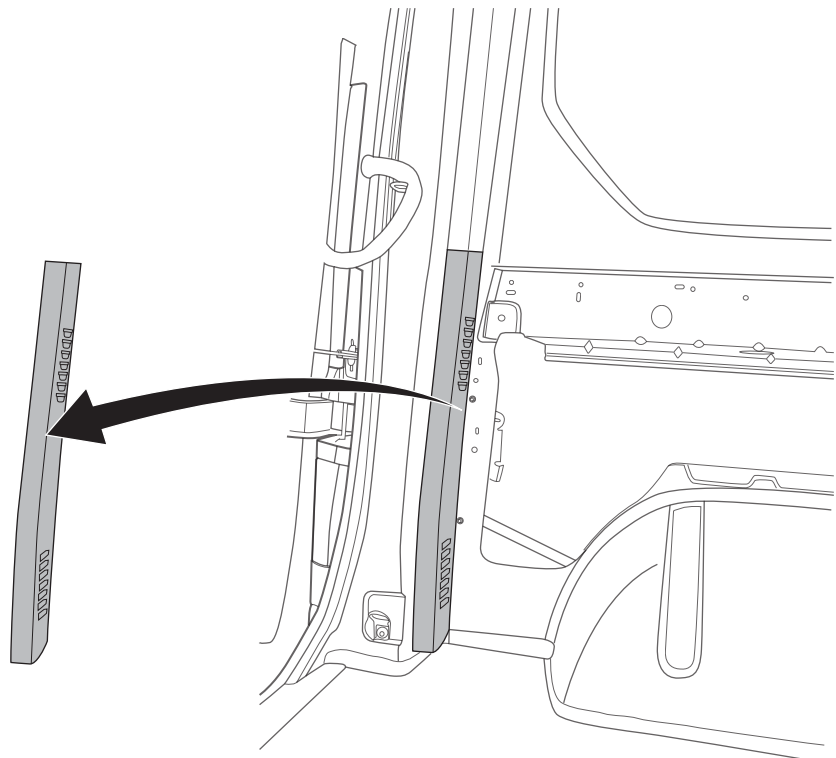
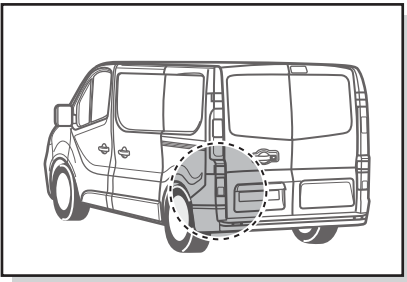
1



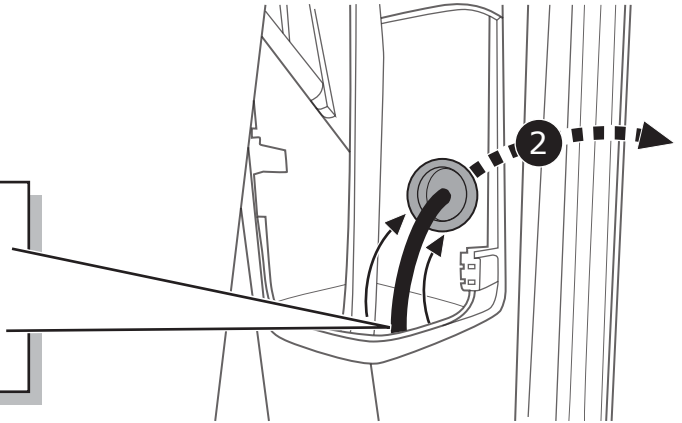
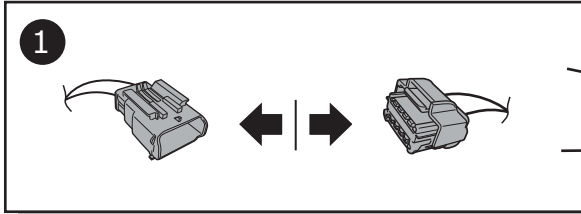
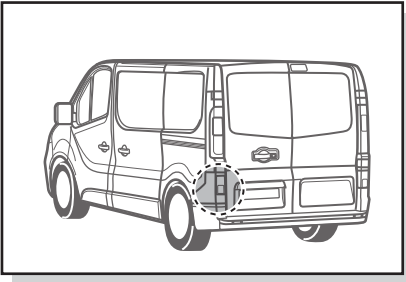
2



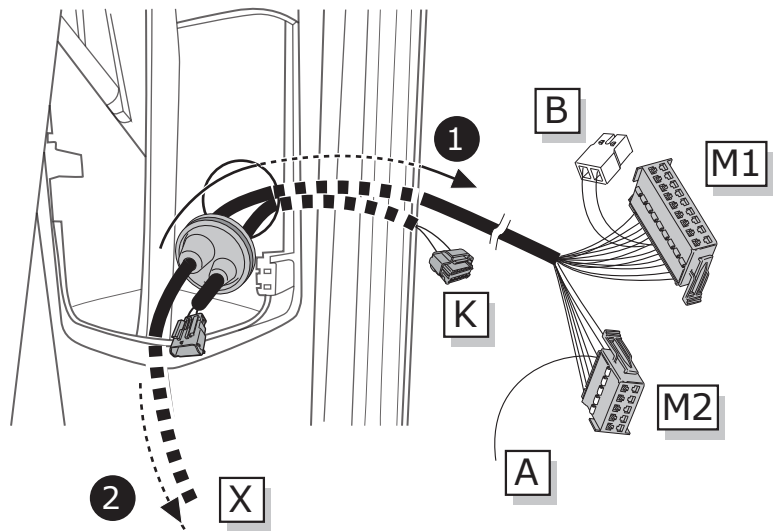
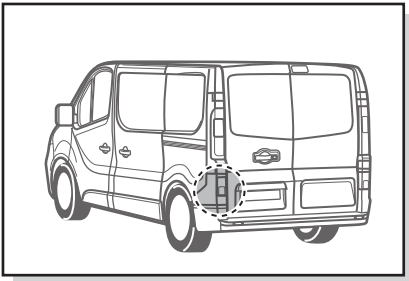
3



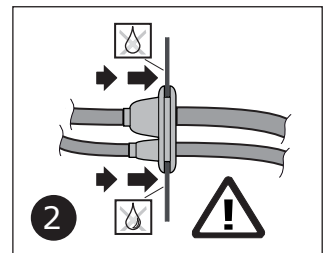
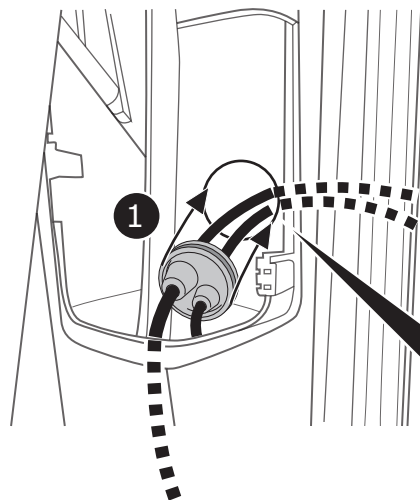
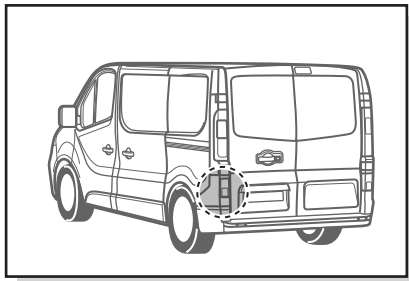
4



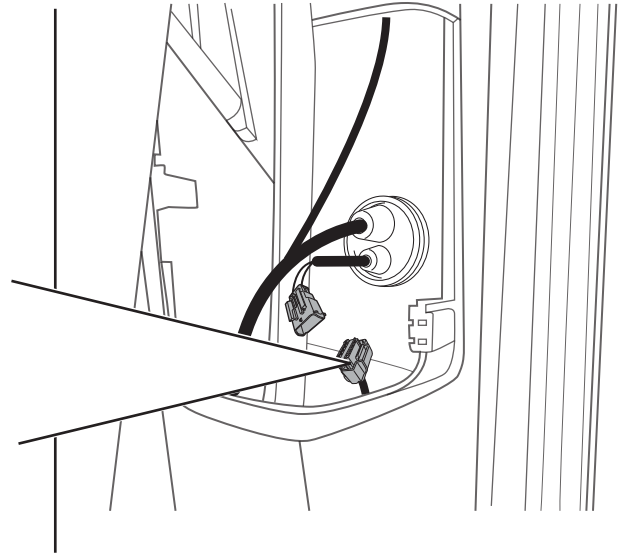
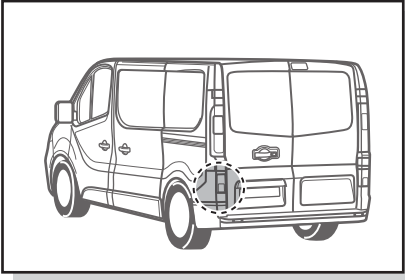
5



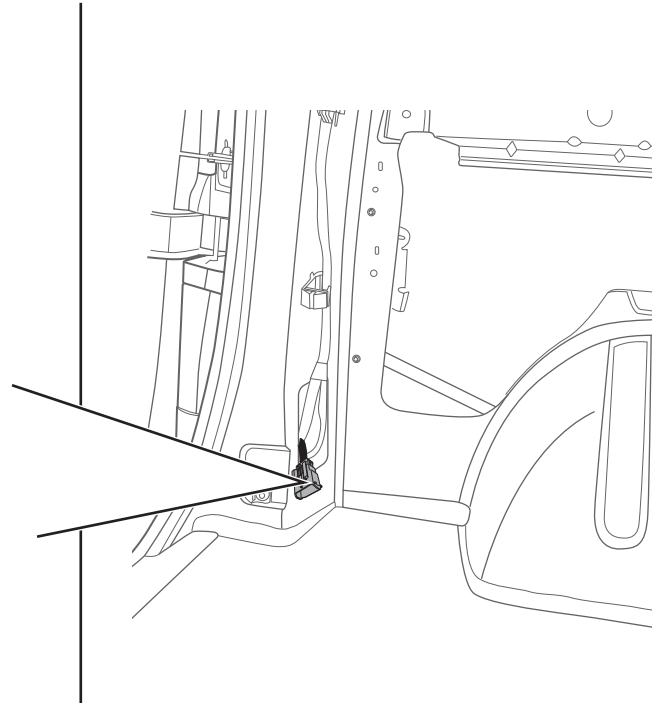
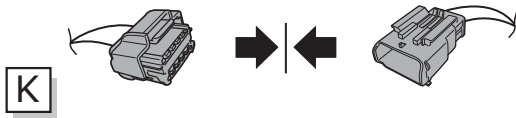
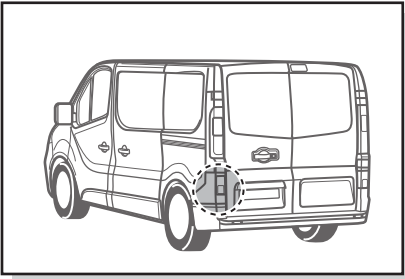
6



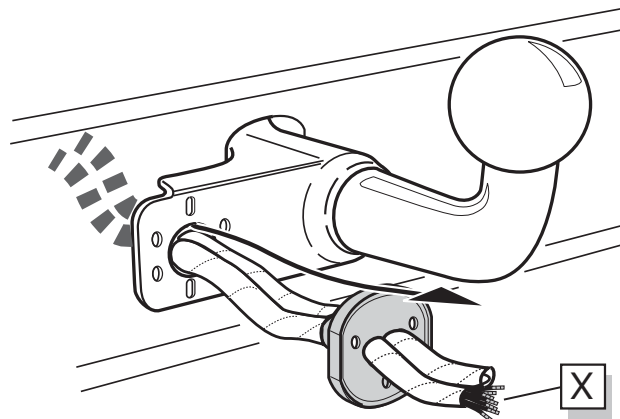
7



8

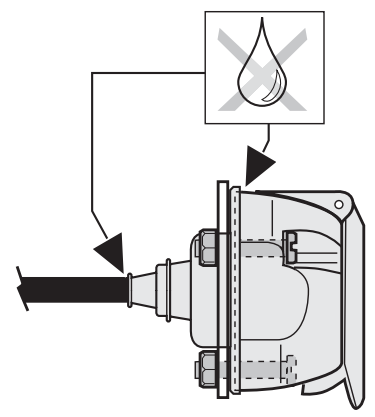
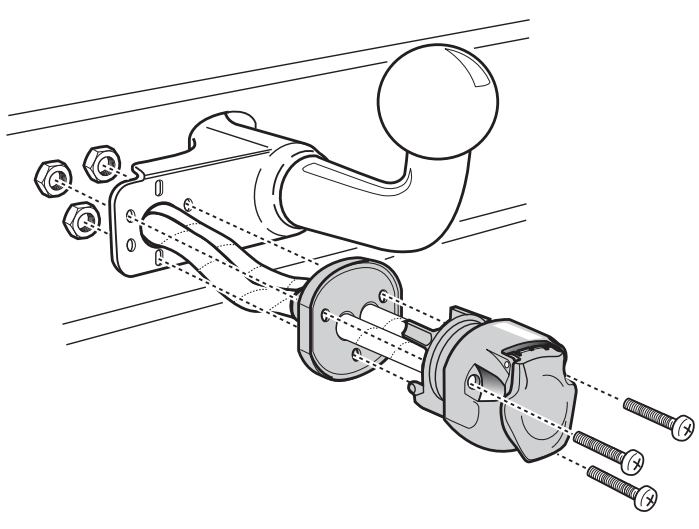


9

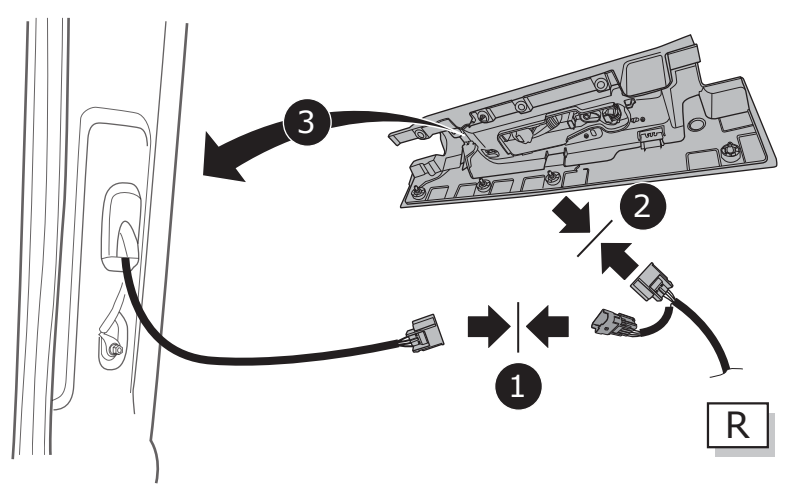
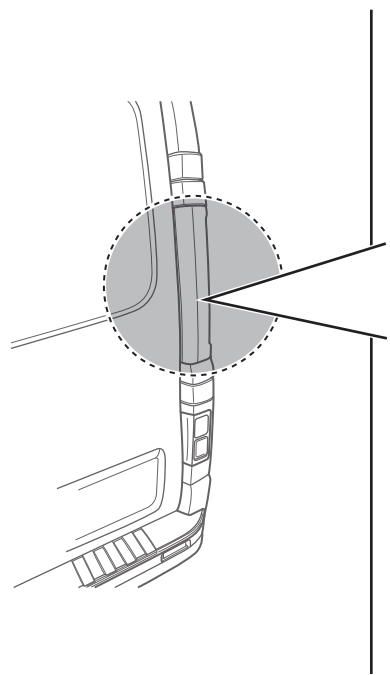


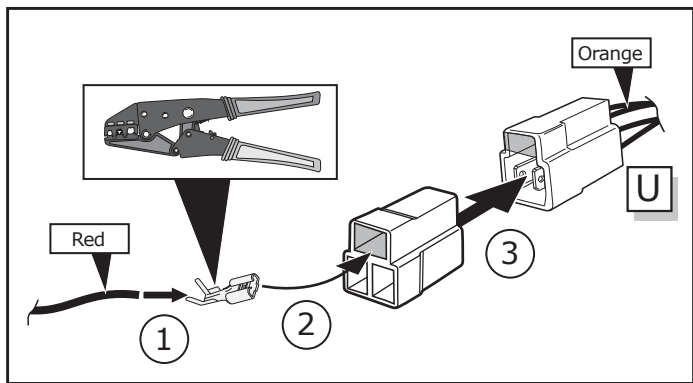
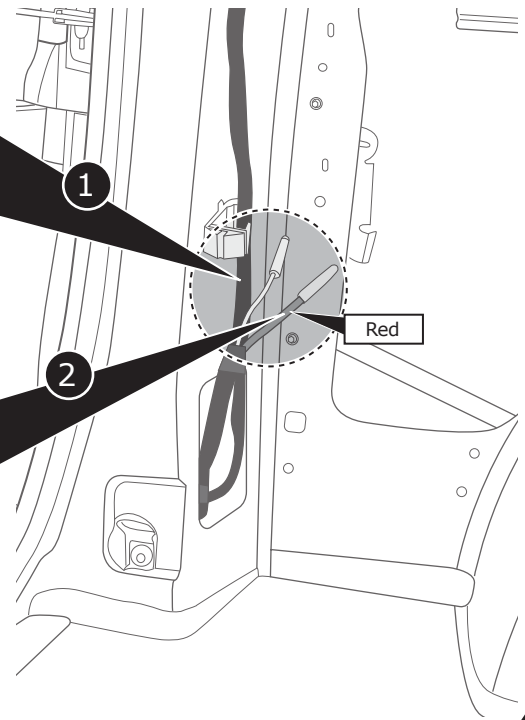
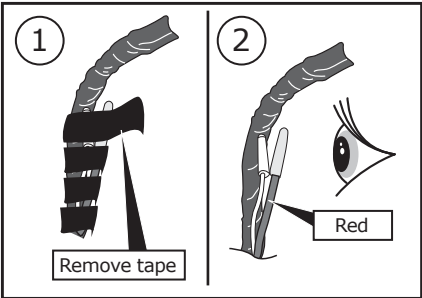
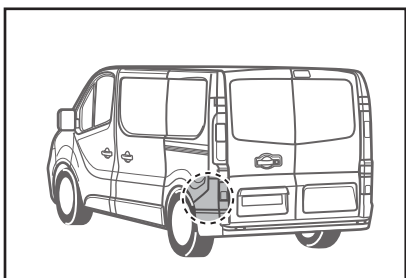
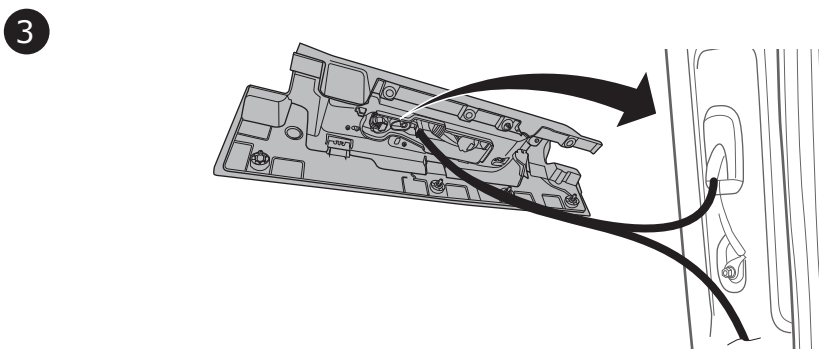
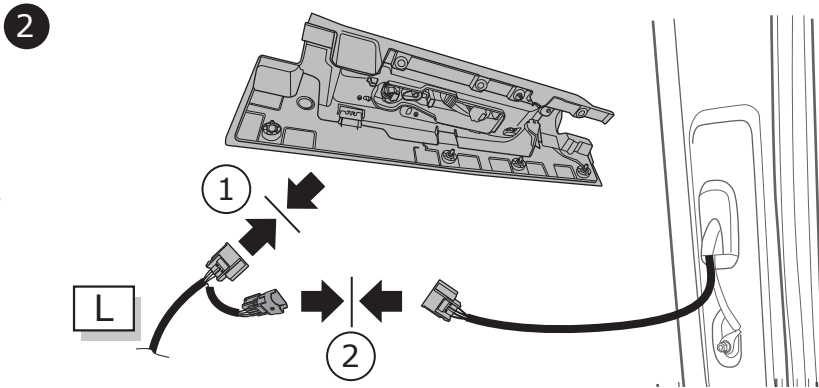
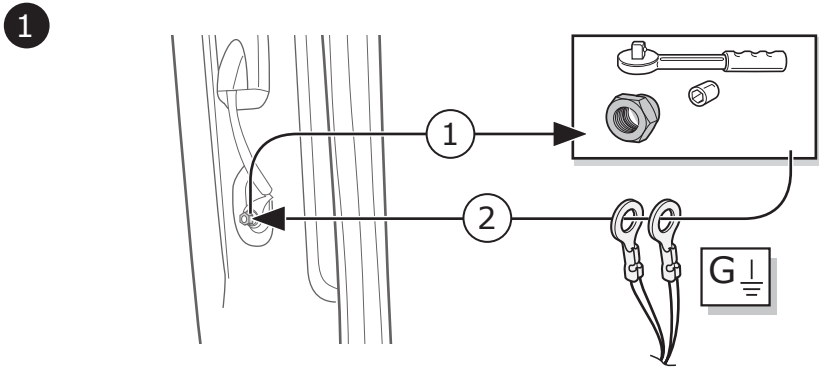
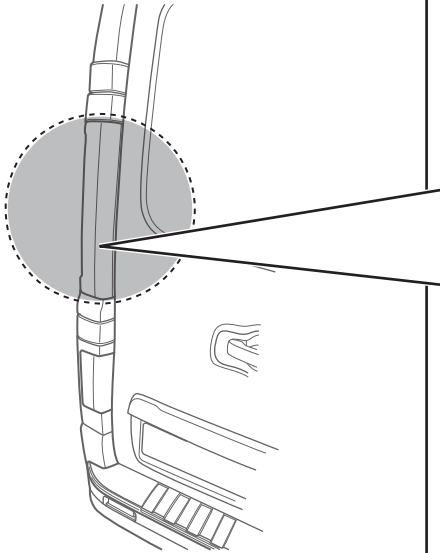
SOCKET CONNECTION

10

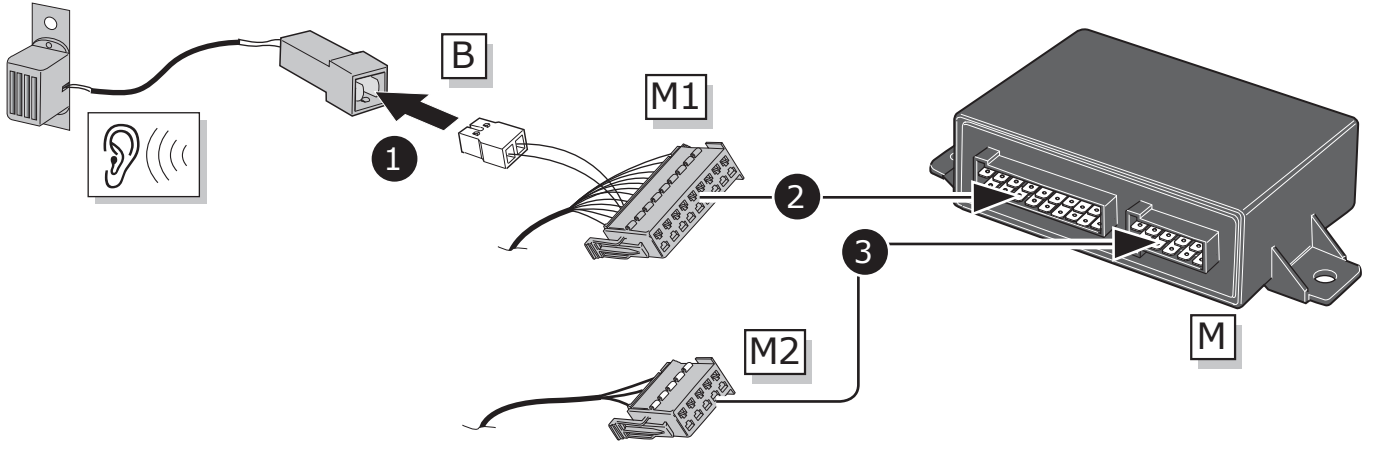


11

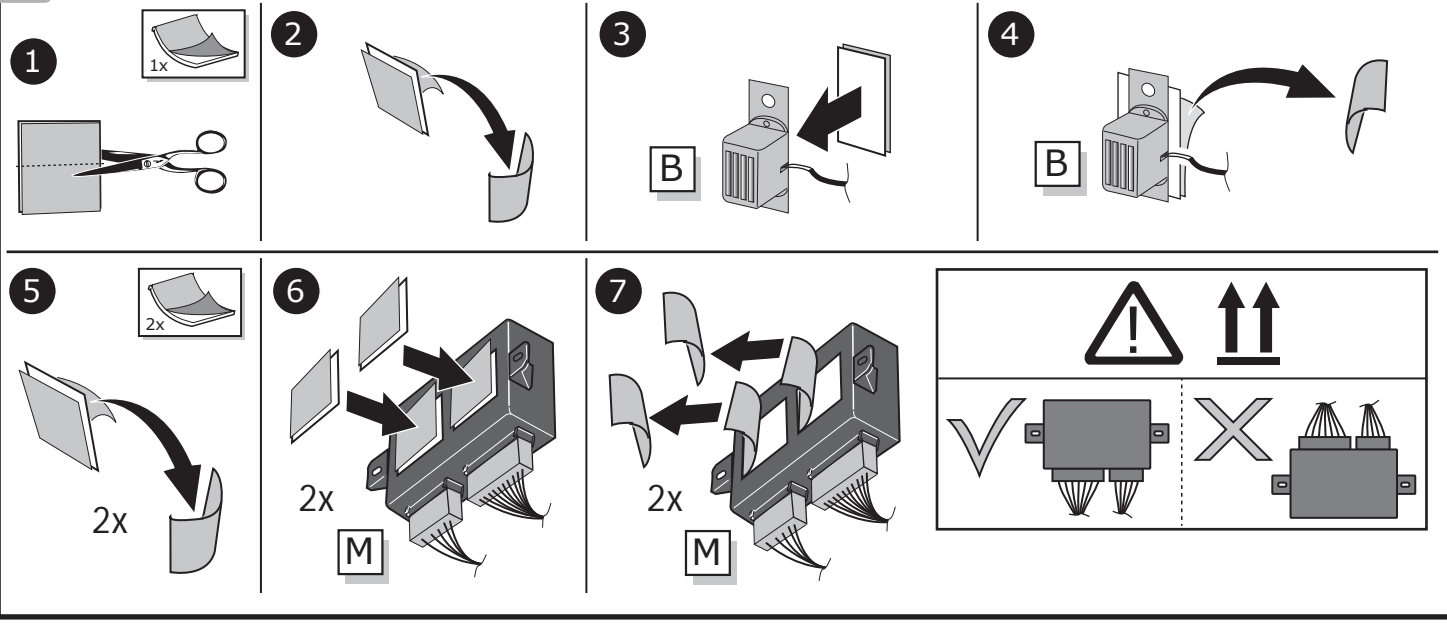




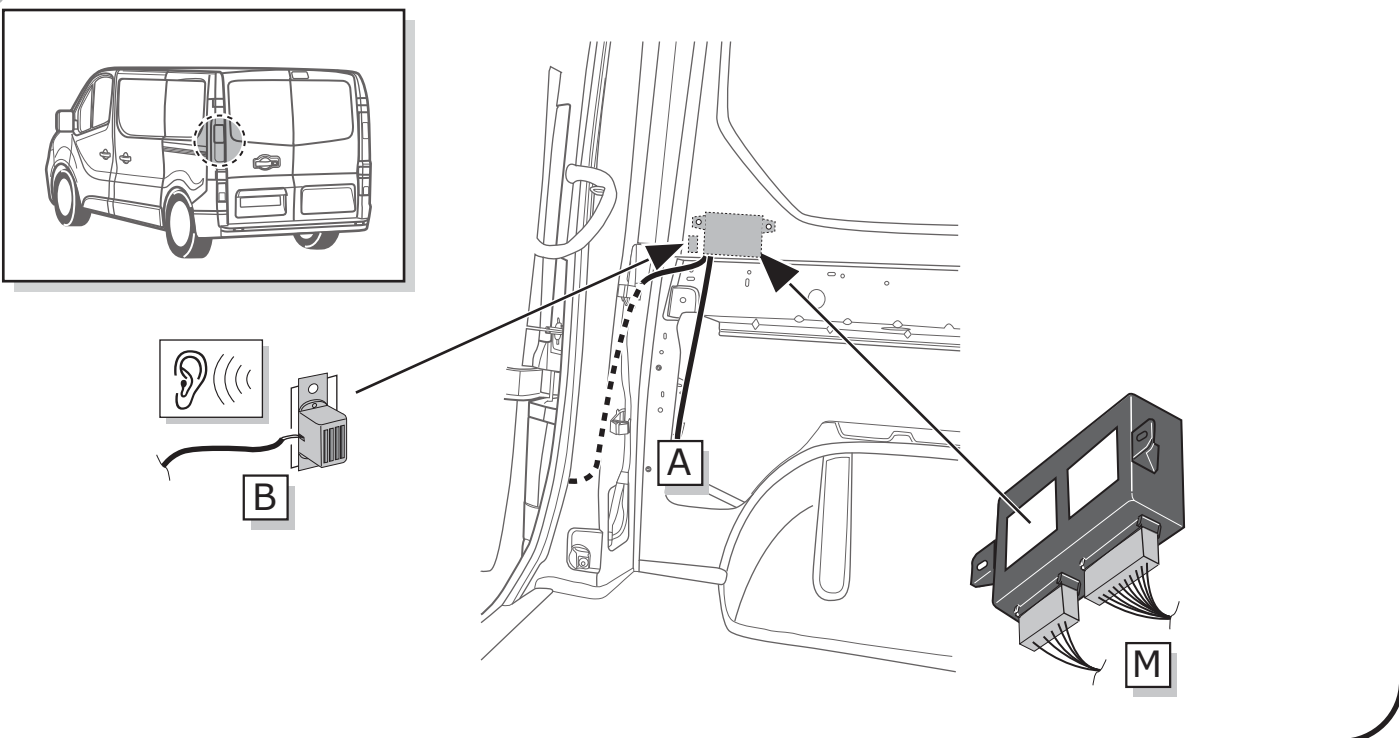
14



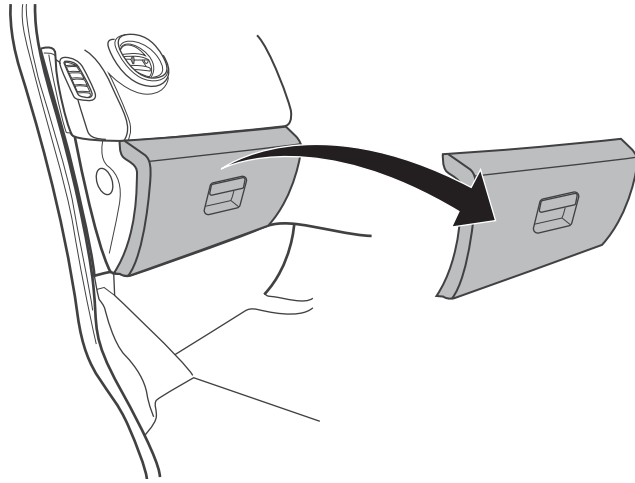
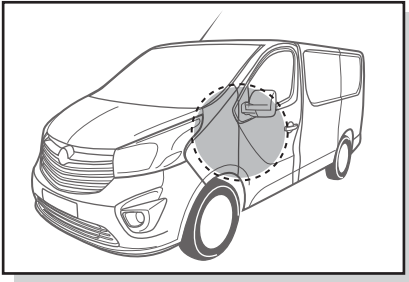
15



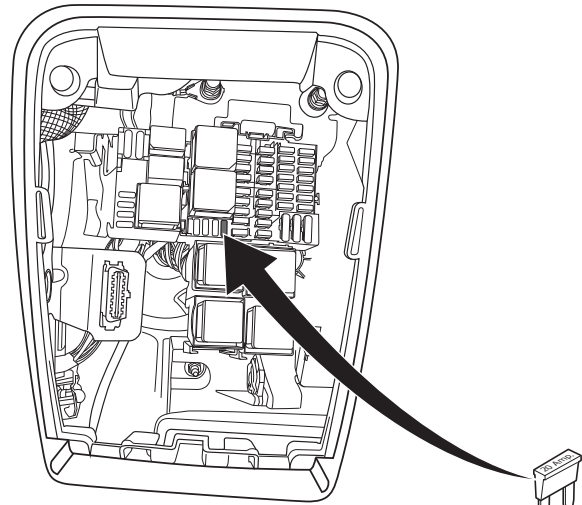
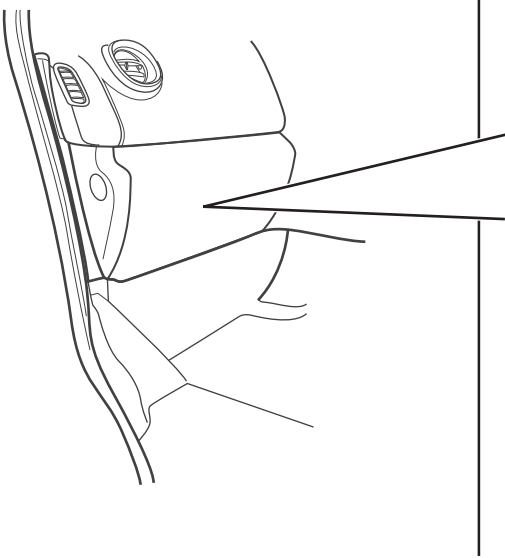
16



17

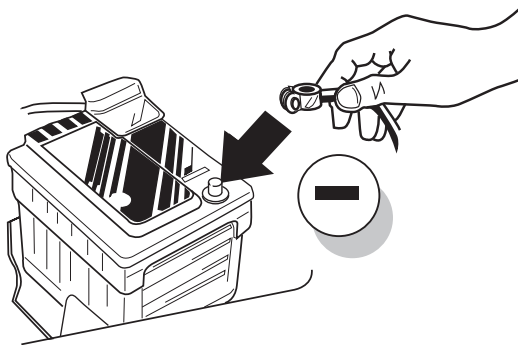


18

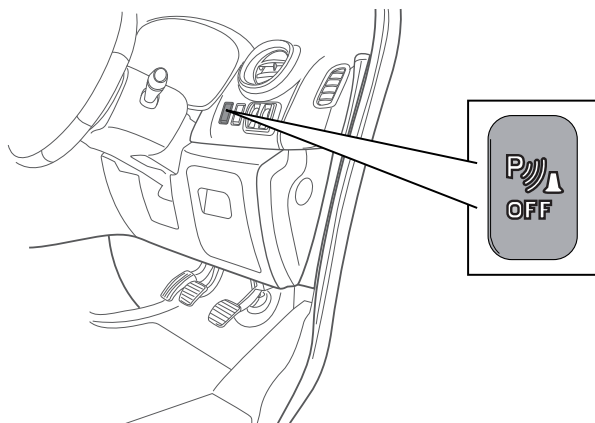
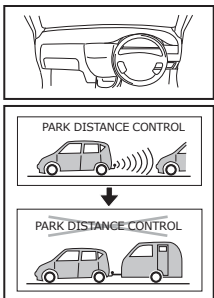


20 Amp.mini

19



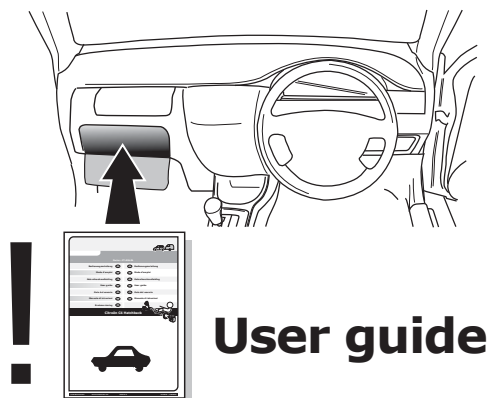
20



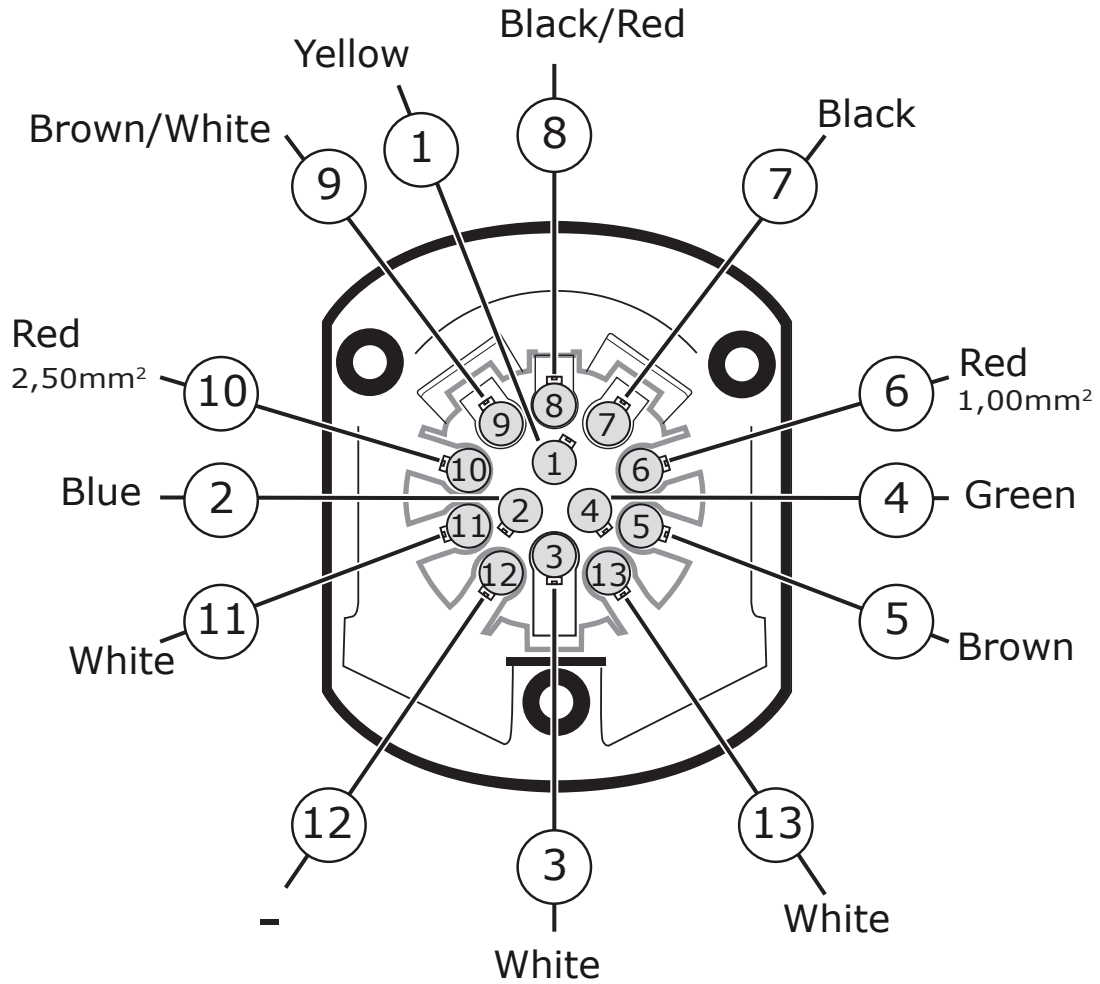
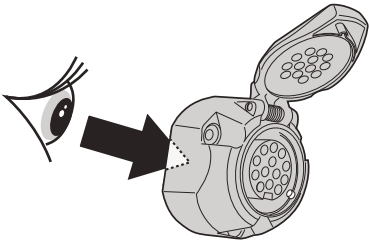
TEST ALL THE CIRCUITS WITH A TEST DEVICE WITH THE CORRECT POWER LOAD FOR EACH FUNCTION. A TEST DEVICE WITH LED'S CANNOT BE USED FOR THIS PURPOSE.

INFO

REINSTALL TRIM.



SOCKET CONNECTION



SOCKET CONNECTION

DIN/ISO 11446													
Pmax	21W	2x21W		21W	52W	3x21W	52W	2x21W	180W/15Amp	180W/15Amp			
Colour	Yellow	Blue	White	Green	Brown	Red 1,00 mm ²	Black	Black/ Red	Brown/ White	Red 2,50 mm ²	White	-	White