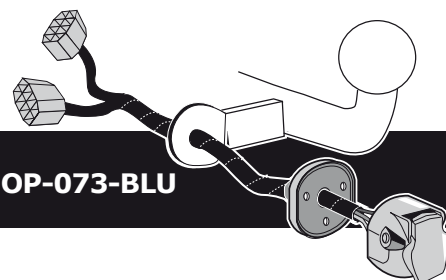


Vehicles with trailer-preparation only!

Opel Movano	Chassis-Cab 03/2010 >> 12/2021
Renault Master	Chassis-Cab 03/2010 >>
Nissan NV400	Chassis-Cab 03/2010 >> 12/2021
Nissan Interstar	Chassis-Cab 01/2022 >>

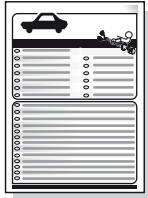
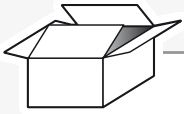
Partnr.: OP-073-BLU



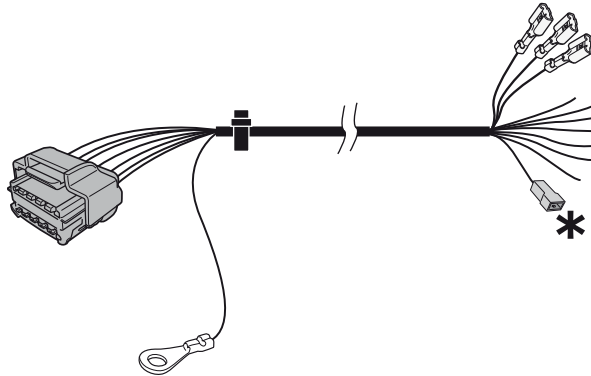
- Fitting instructions electric wiring kit tow bar with 12-N socket up to DIN/ISO Norm 1724.
- We would expressly point out that assembly not carried out properly by a competent installer will result in cancellation of any right to damage compensation, in particular those arising by virtue of the product liability act.
- Contents of these kits and their fitting manuals are subject to alteration without notice, please ensure that these instructions are read and fully understood before commencing installation.
- Do not overload circuits; the maximum loads per connection are detailed in this manual.
- Attention! Before Installation, please read this manual carefully and inform your customer to consult the vehicle owners manual to check for any vehicle modifications required before towing.
- In the event of functional problems, troubleshooting must be limited to about 0.5 hours, contact the technical support:
ukts@ecs-electronics.com / 07440 202 052.



Part list

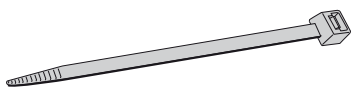


L1

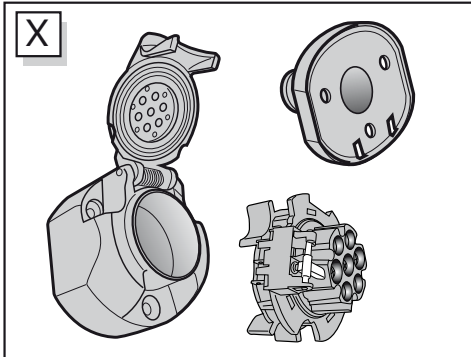


X

4x



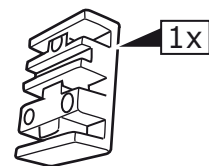
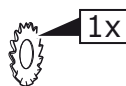
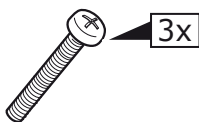
G

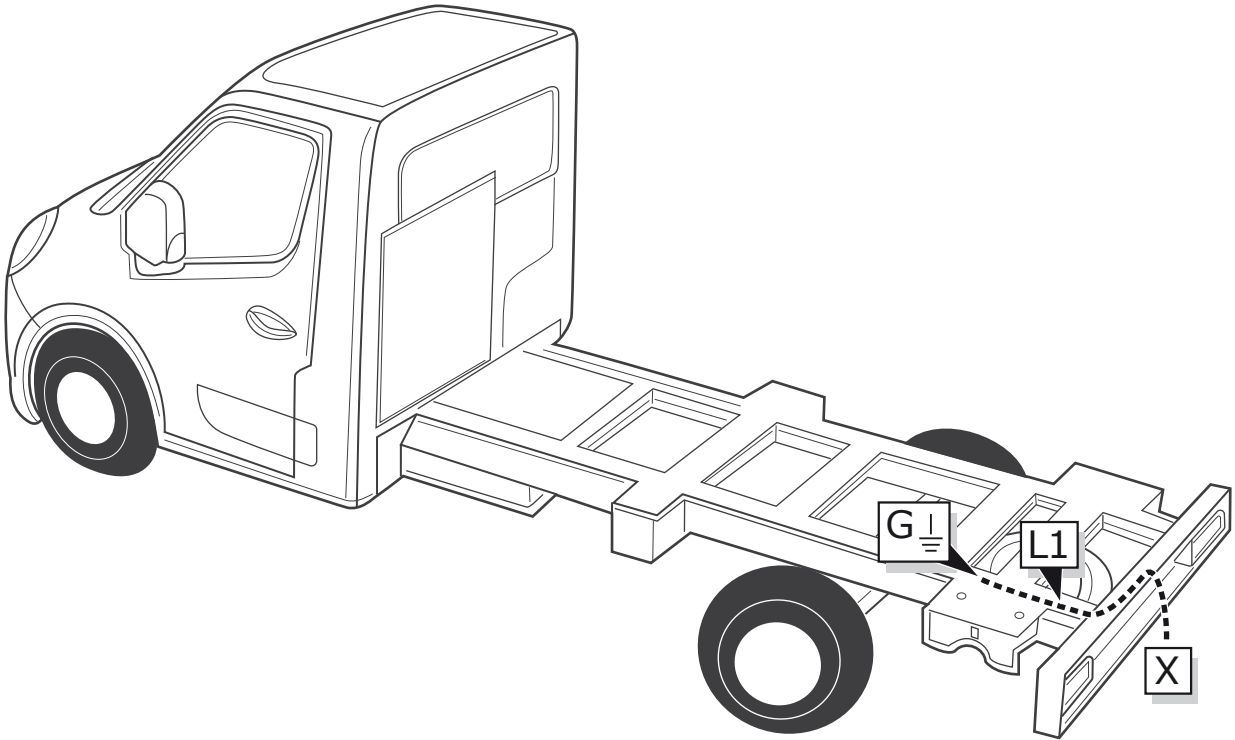


* Reverse signal preparation

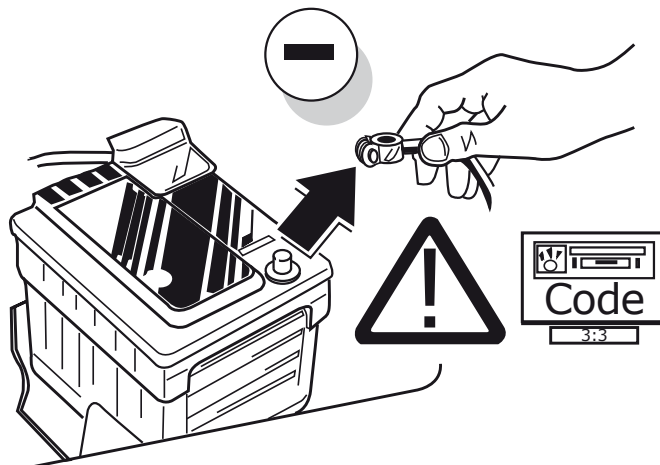


Page 7

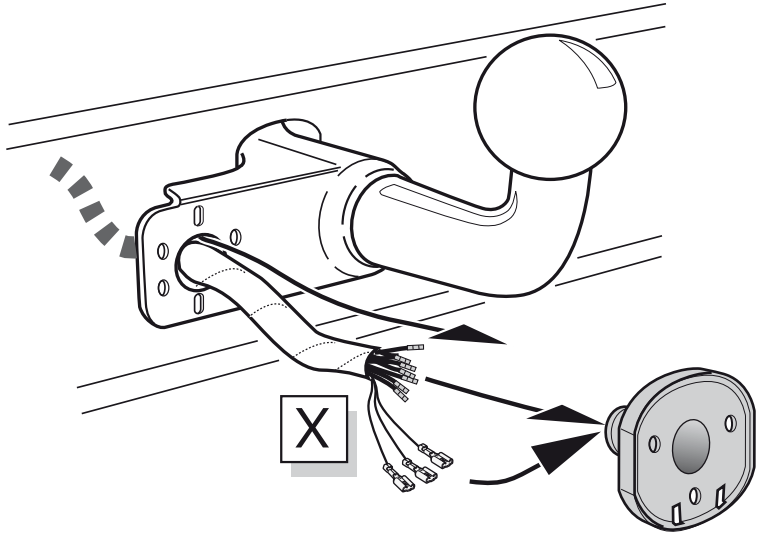




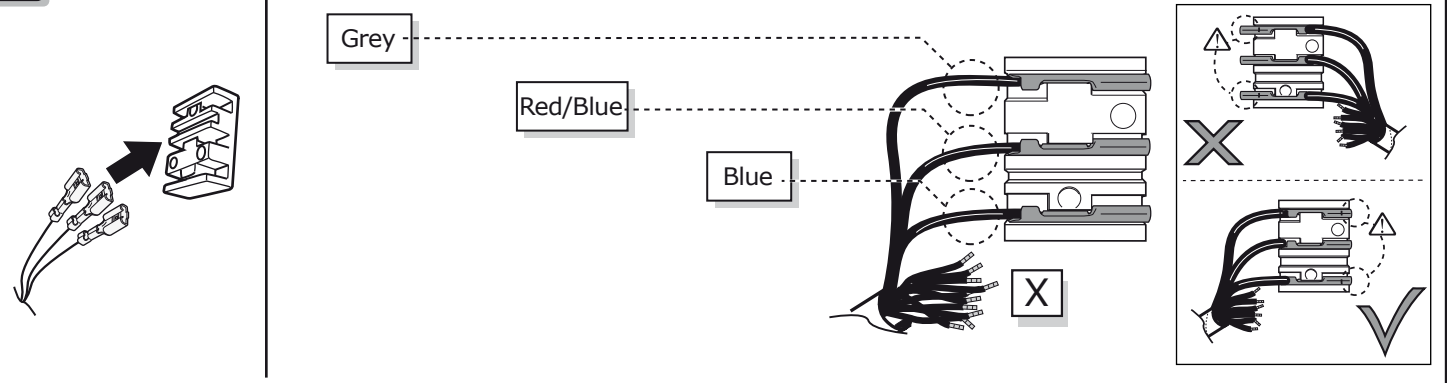
1



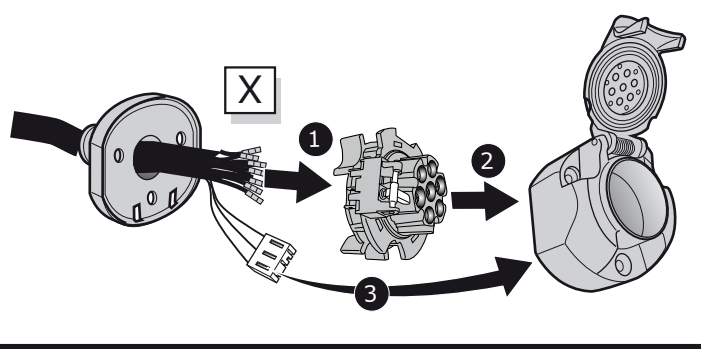
A



B



C



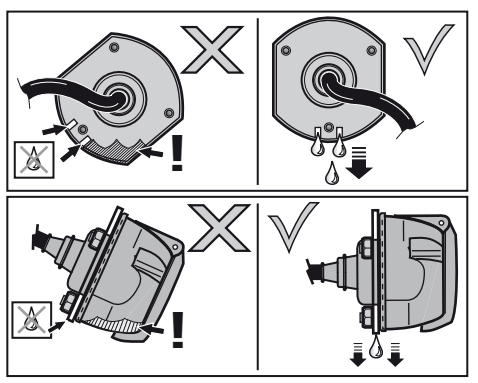
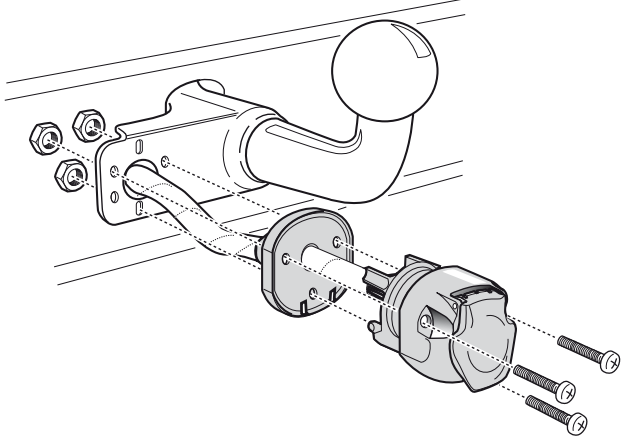
INFO

SOCKET CONNECTION

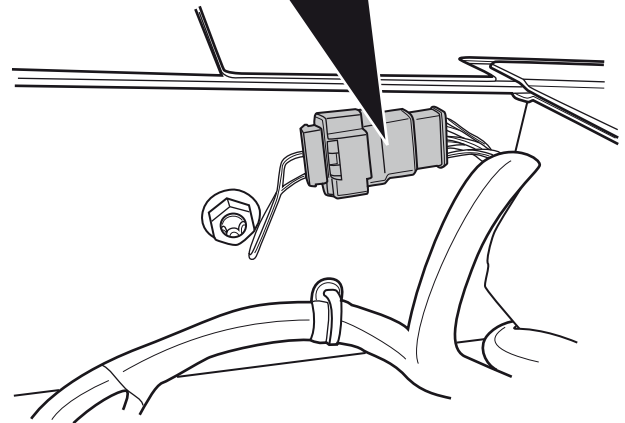
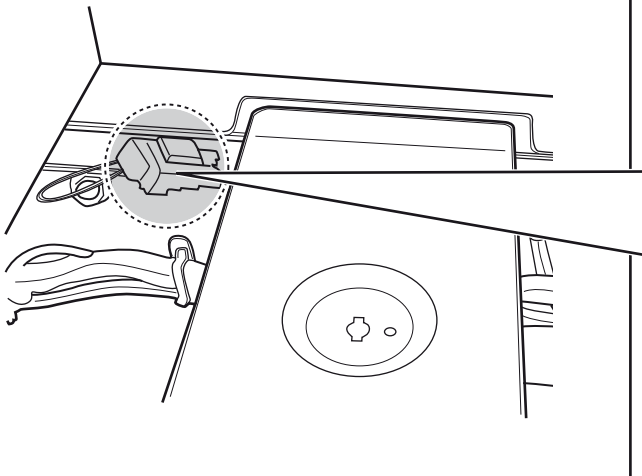
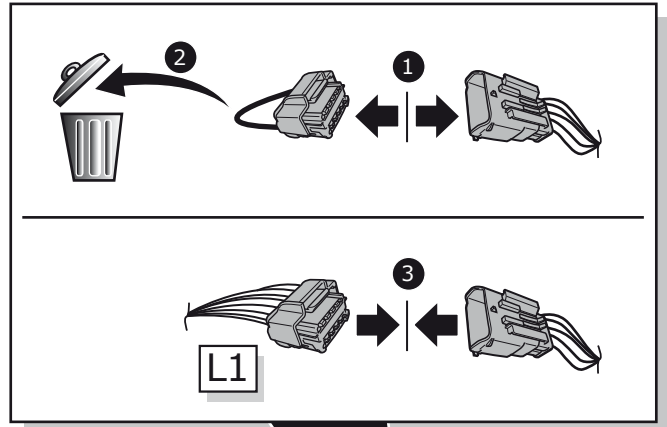
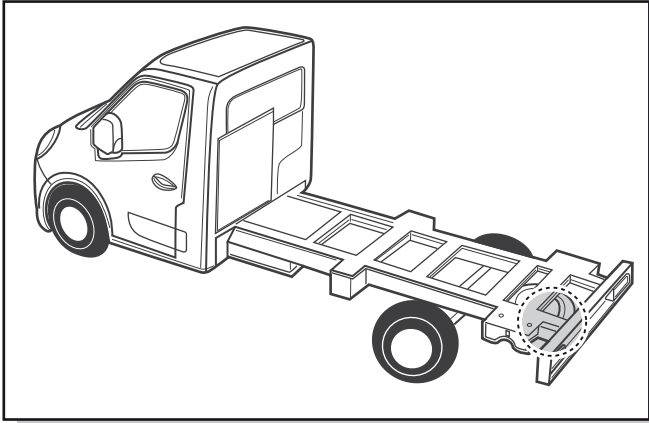


Page 8

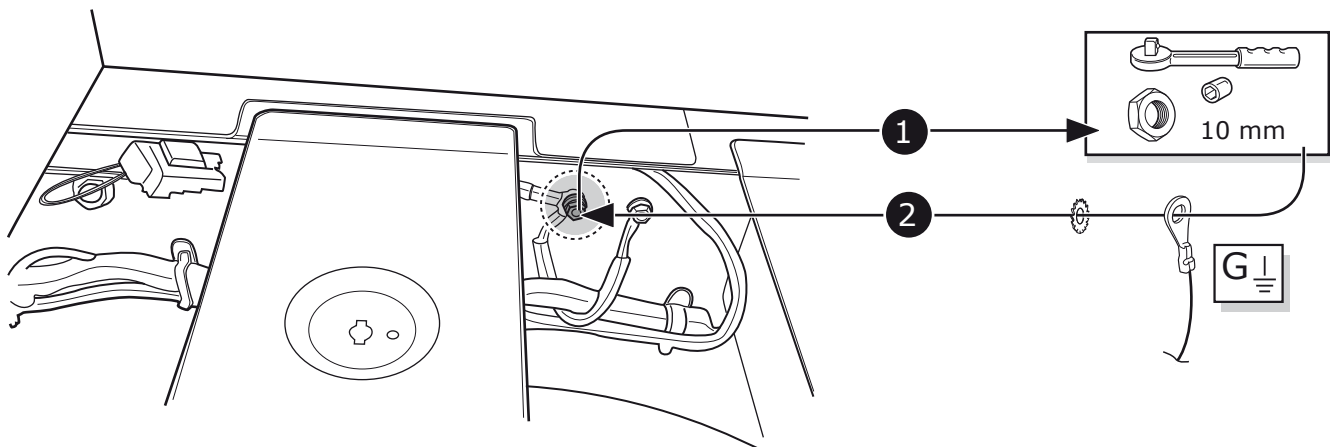
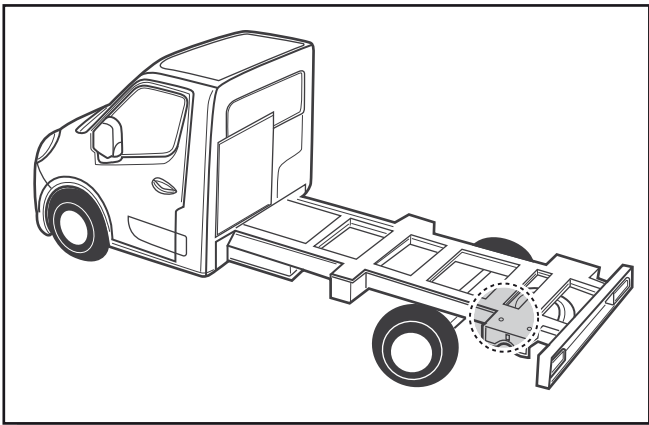
D



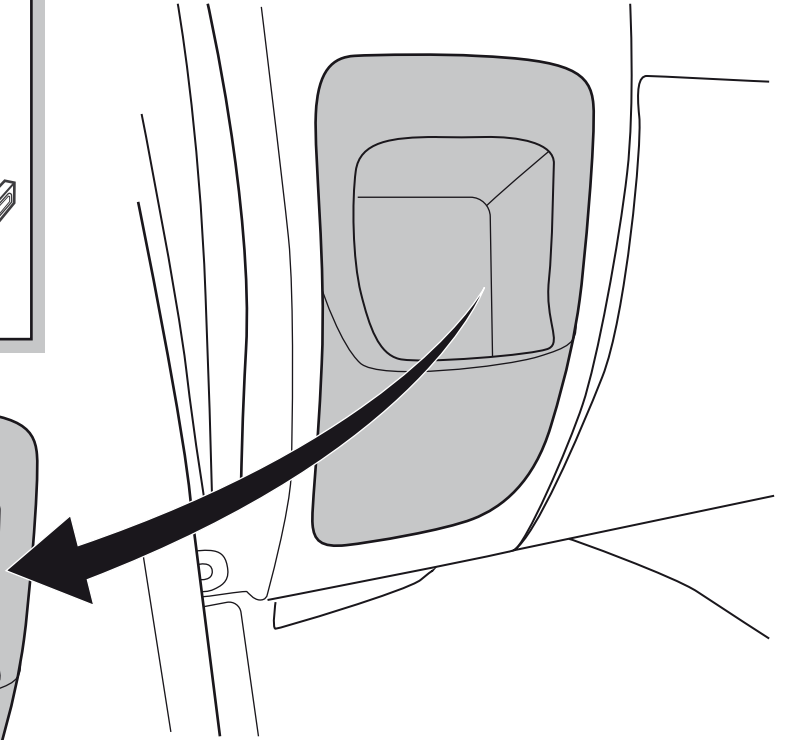
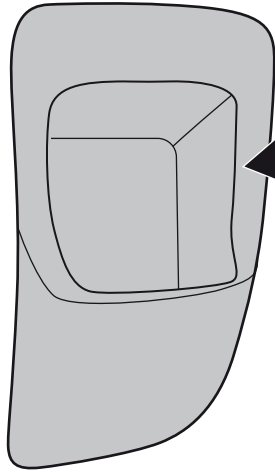
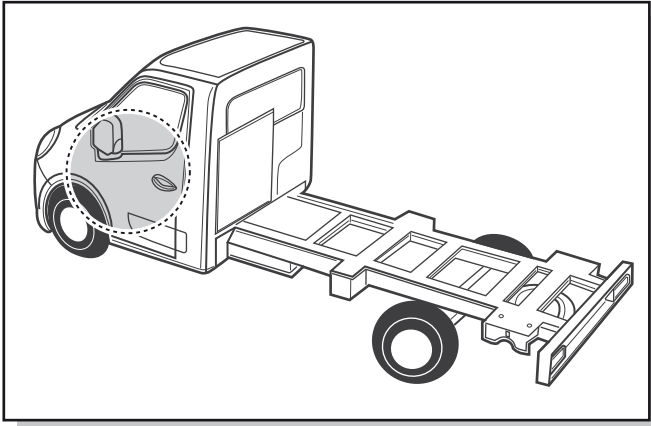
2



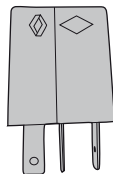
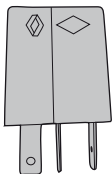
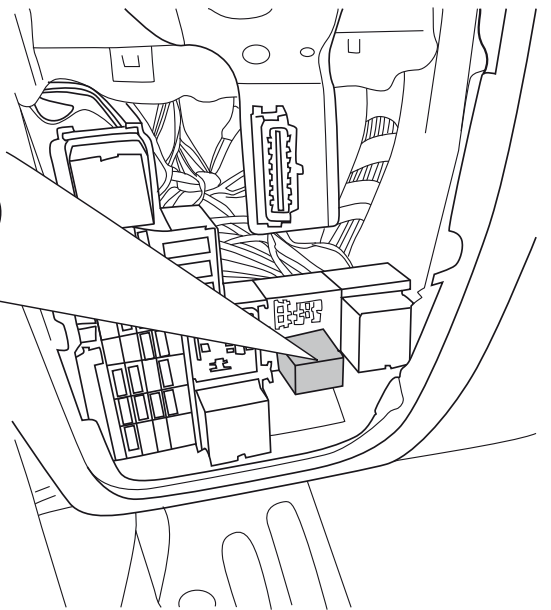
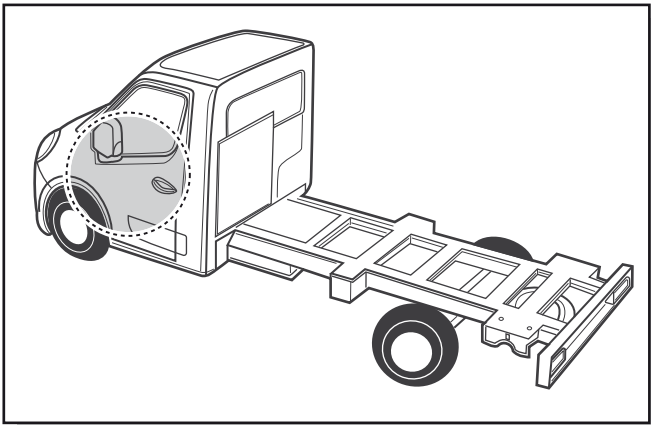
3



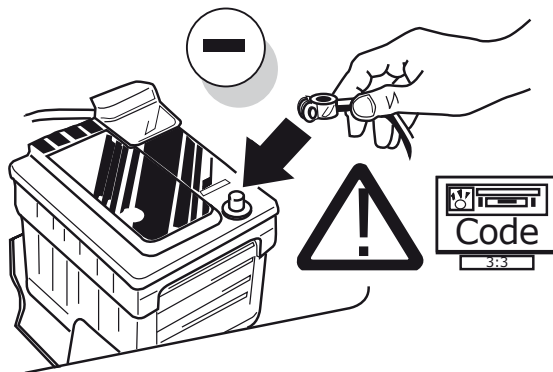
4



5



6



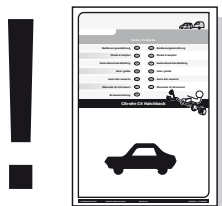
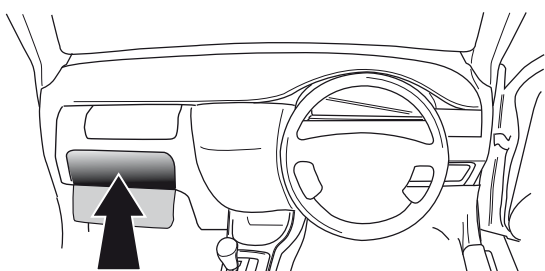
7

TEST ALL THE CIRCUITS WITH A TEST DEVICE WITH THE CORRECT POWER LOAD FOR EACH FUNCTION. A TEST DEVICE WITH LED'S CANNOT BE USED FOR THIS PURPOSE.

INFO

REINSTALL TRIM.

8



User guide

TECHNICAL SUPPORT

CALL 07440 202 052

ECS ELECTRONICS MONDAY TO FRIDAY
 08.00 - 11.00 am
 12.00 - 05.00 pm
 ukts@ecs-electronics.com
 www.ecs-electronicsuk.co.uk

SOCKET CONNECTION

DIN/ISO 1724			$\underline{\text{1-7}}$					
	1/L	2	3/31	4/R	5/58-R	6/54	7/58-L	8
Pmax	21W	2x21W		21W	42W	3x21W	42W	
Colour	Yellow	Blue	White	Green	Brown	Red	Black	Grey

Reverse signal preparation

