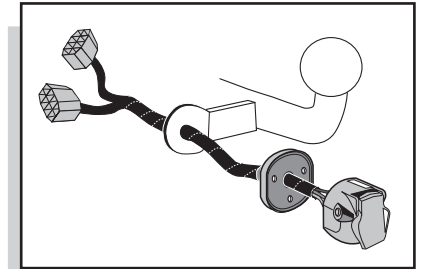
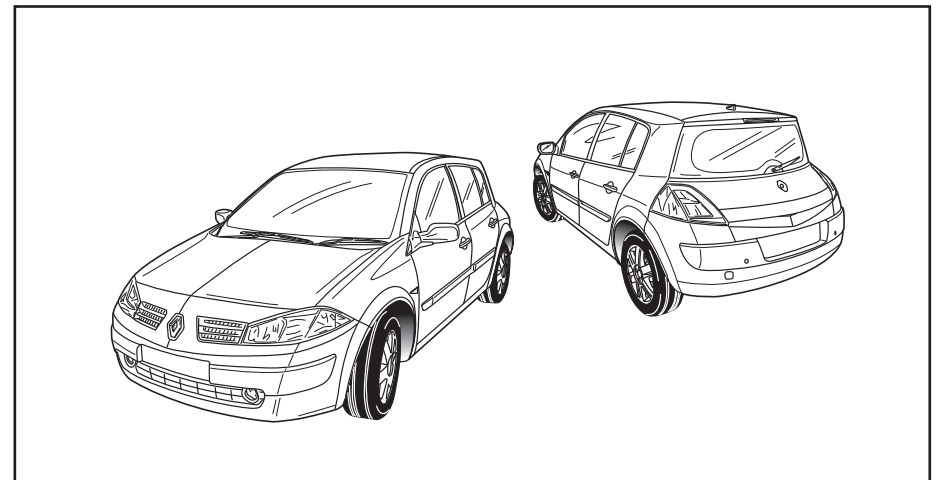


Fitting instructions electric wiringkit
towbar with 12-N socket up to
DIN/ISO norm 1724

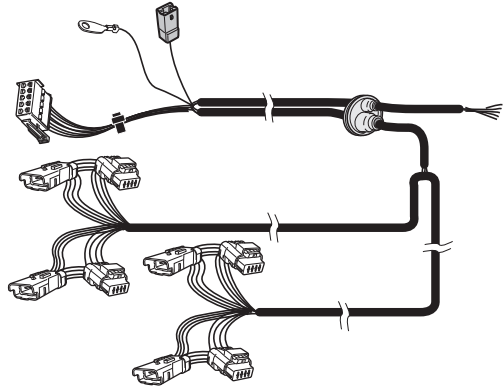
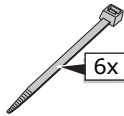
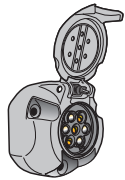
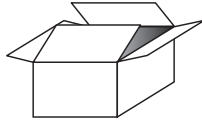


RENAULT MEGANE october 3 & 5 door
hatchback 2002-



Part No.: RN-038-BE

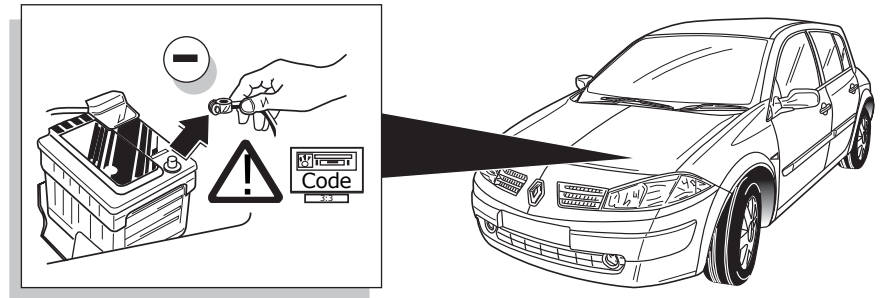
* Part list



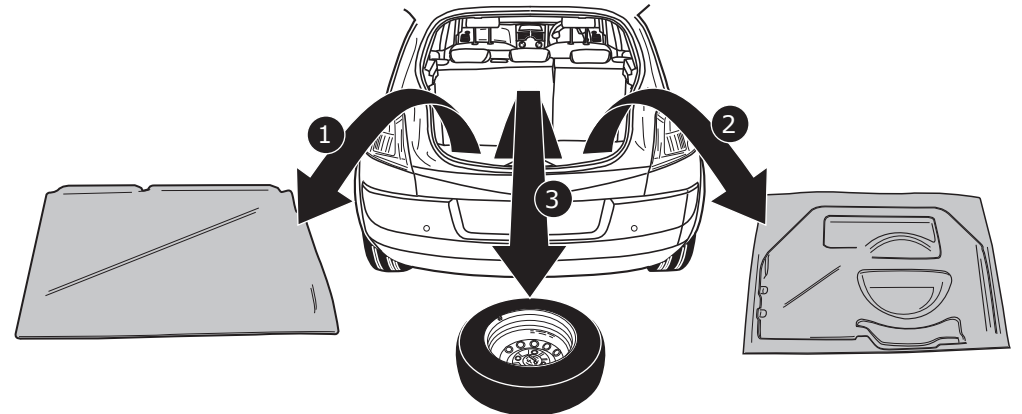
Disclaimer

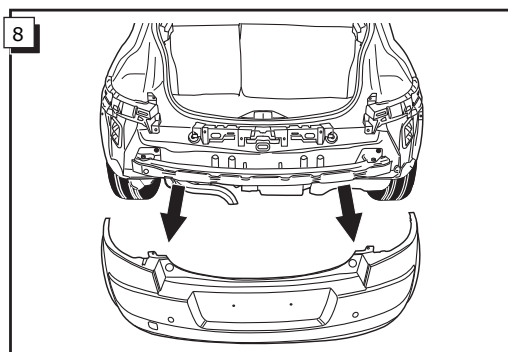
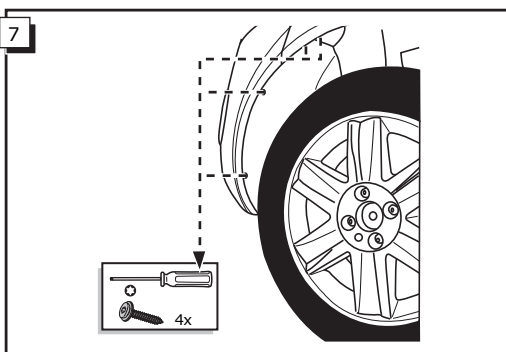
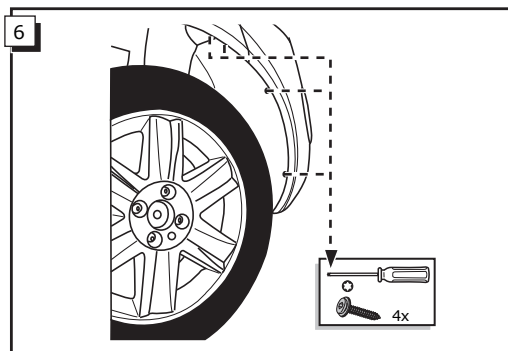
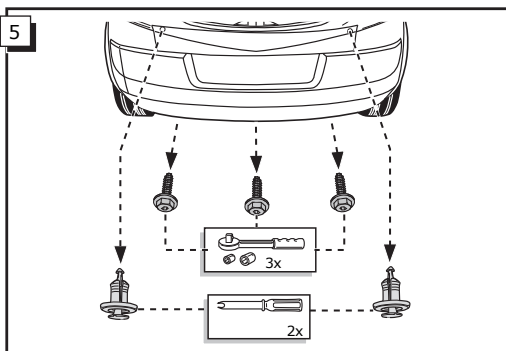
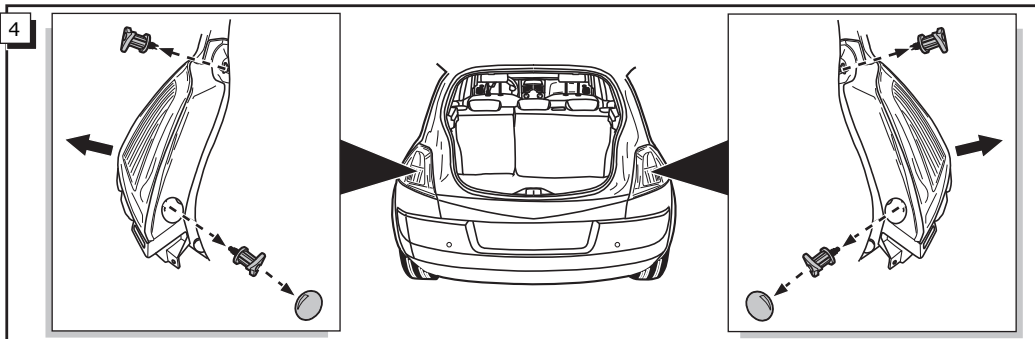
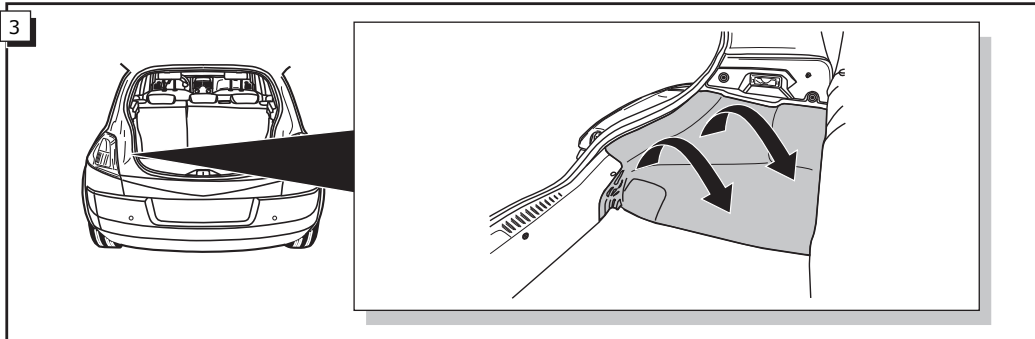
- We would expressly point out that assembly not carried out properly by a competent installer will result in cancellation of any right to damage compensation, in particular those arising by virtue of the product liability act.
- Contents of these kits and their fitting manuals are subject to alteration without notice, please ensure that these instructions are read and fully understood before commencing installation.
- Do not overload circuits; the maximum loads per connection are detailed in this manual.

1



2





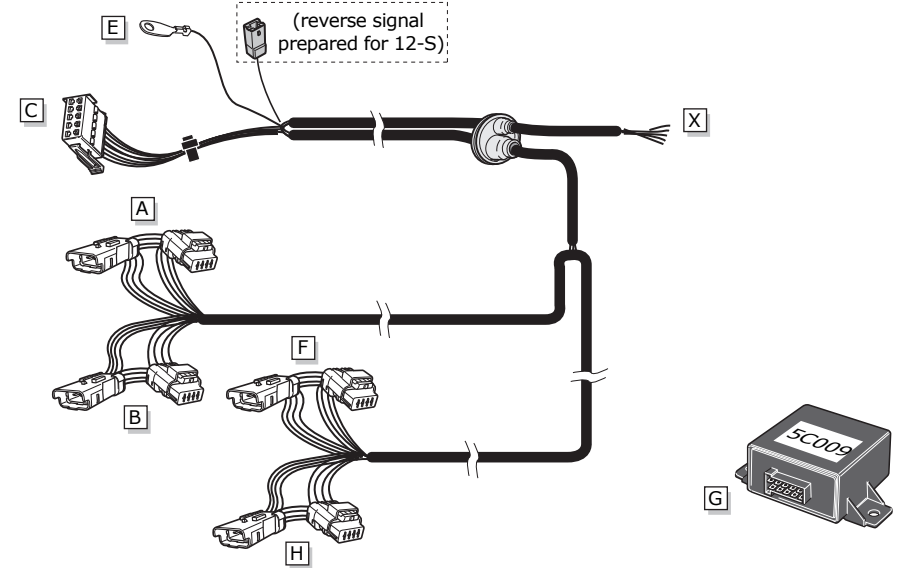
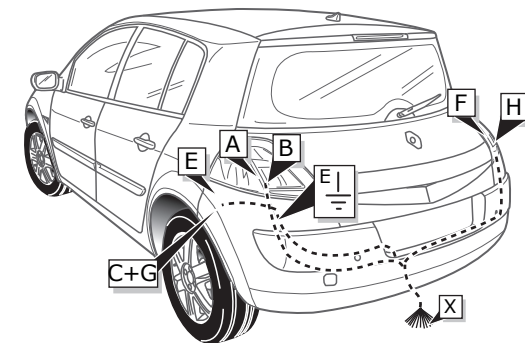
INFO**7-pole wiring-harness kit with a C2 module.**

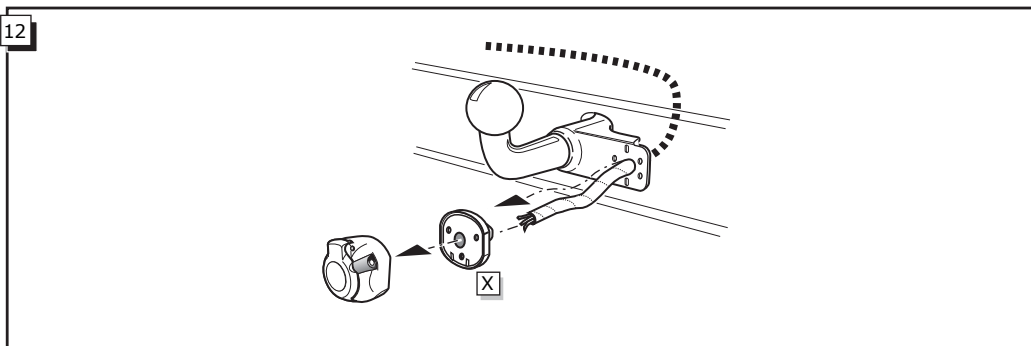
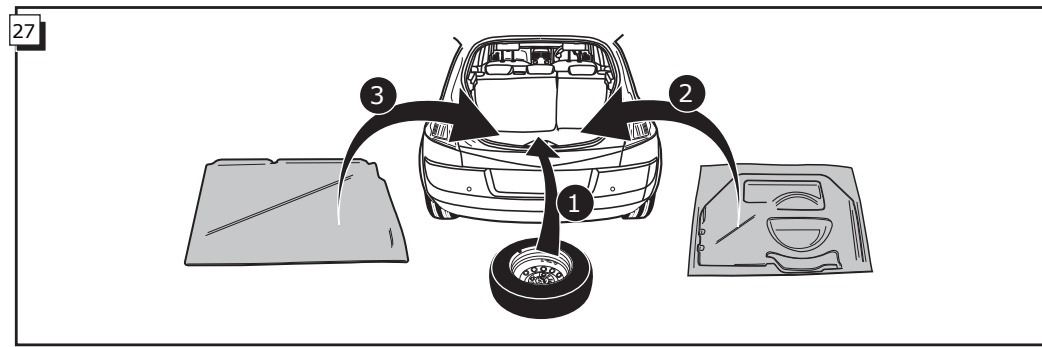
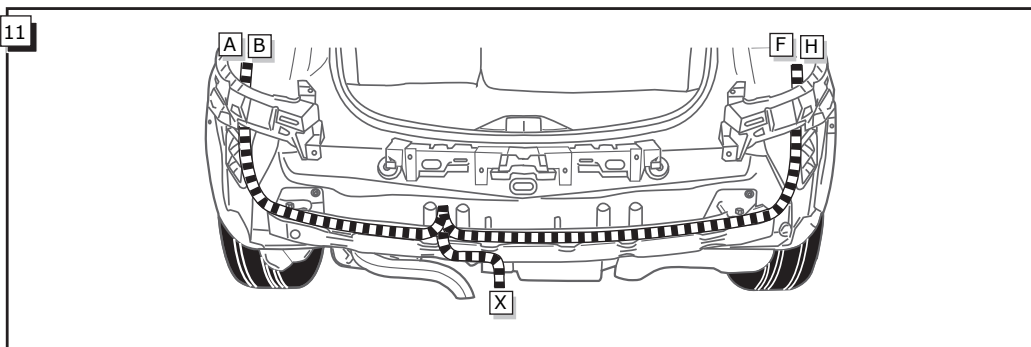
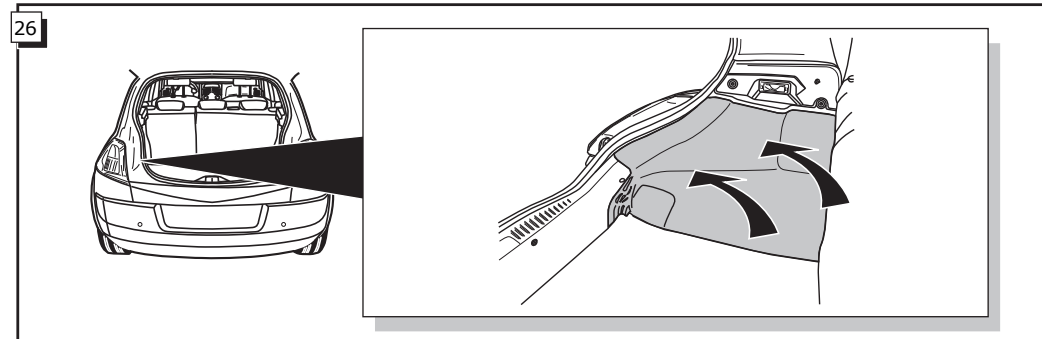
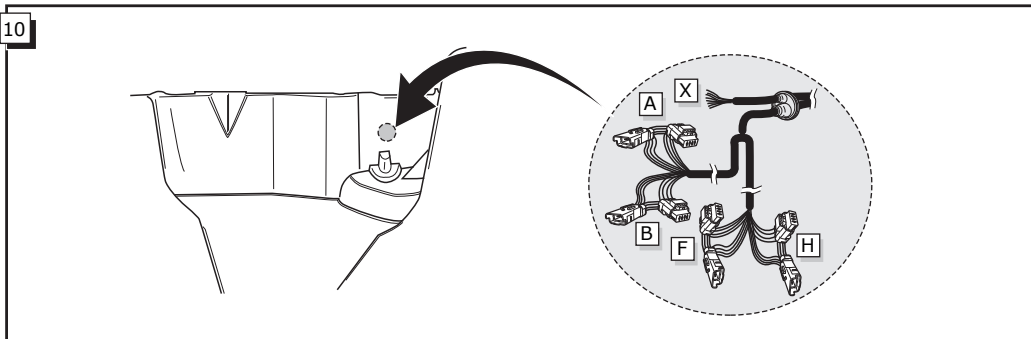
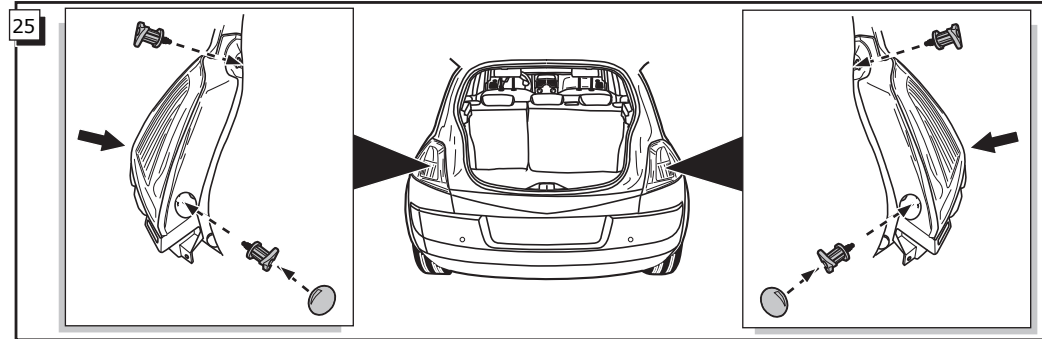
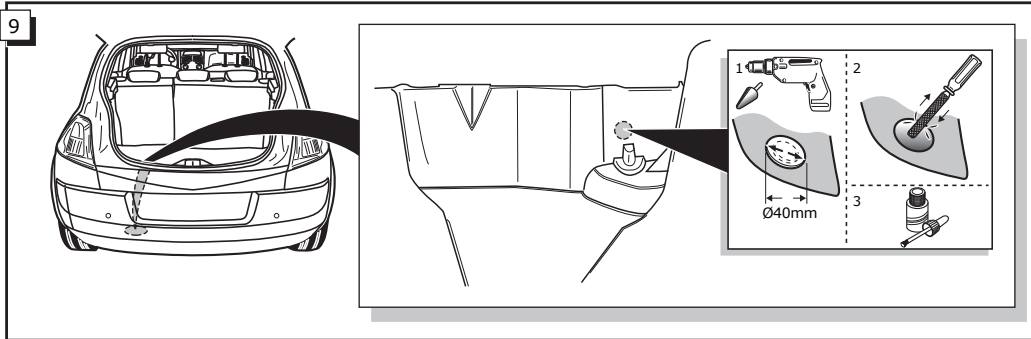
- In this wiring-harness kit, the C2 module is used instead of a flasher relay with a C2 light failure sensor. A defective indicator light of the car or/and caravan/trailer is stated by a quicker flashing of the other indicator light (Following the european directive 76/756/EEC \times 4.5.8. and StVZO \times 54).

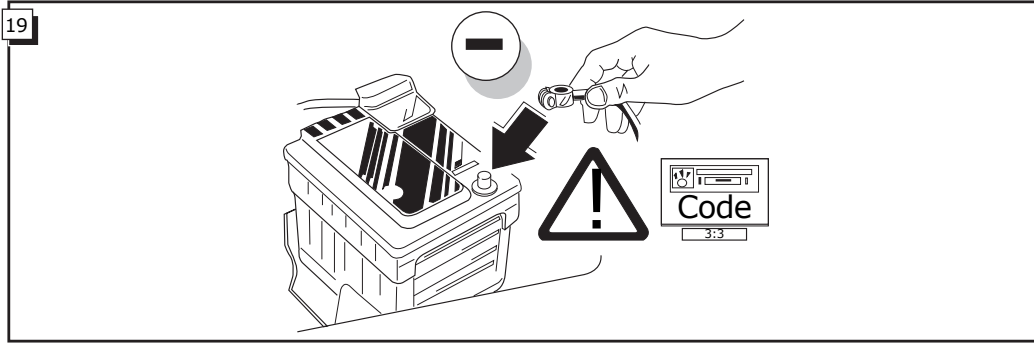
- In order to avoid an overload of the C2 module, a maximum of 21W in indicator flashing lights can be connected on each side.

- The functioning of the C2-module can be tested by connecting the trailer/caravan (or a test-box) and switching on the indicator lights with a removed indicator light. The other indicator lights will flash quicker.

(ATTENTION: a test-box on which only LED's are being used, can not not be used in this case).

INFO**ROUTING**





20

WARNING

Test all circuit functions with a testbox with the correct power load for each circuit. A testbox on which only LEDs are used can not be used in this case.

13

Socket connection

INFO			
DIN/ISO 11446			Pmax
	1/L	yellow	21W
	2	blue	2x21W
	3/31	white	
	4/R	green	21W
	5/58-R	brown	52W
	6/54	red	3x21W
	7/58-L	black	52W
	8/58-bL	grey	2x21W

