

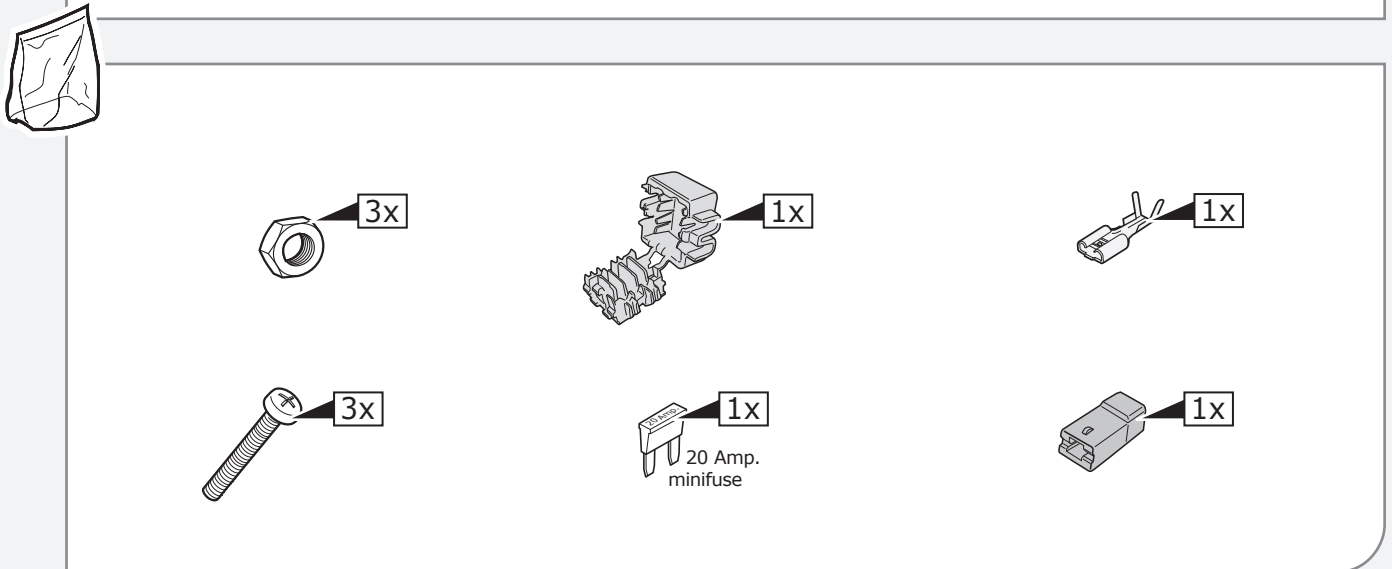
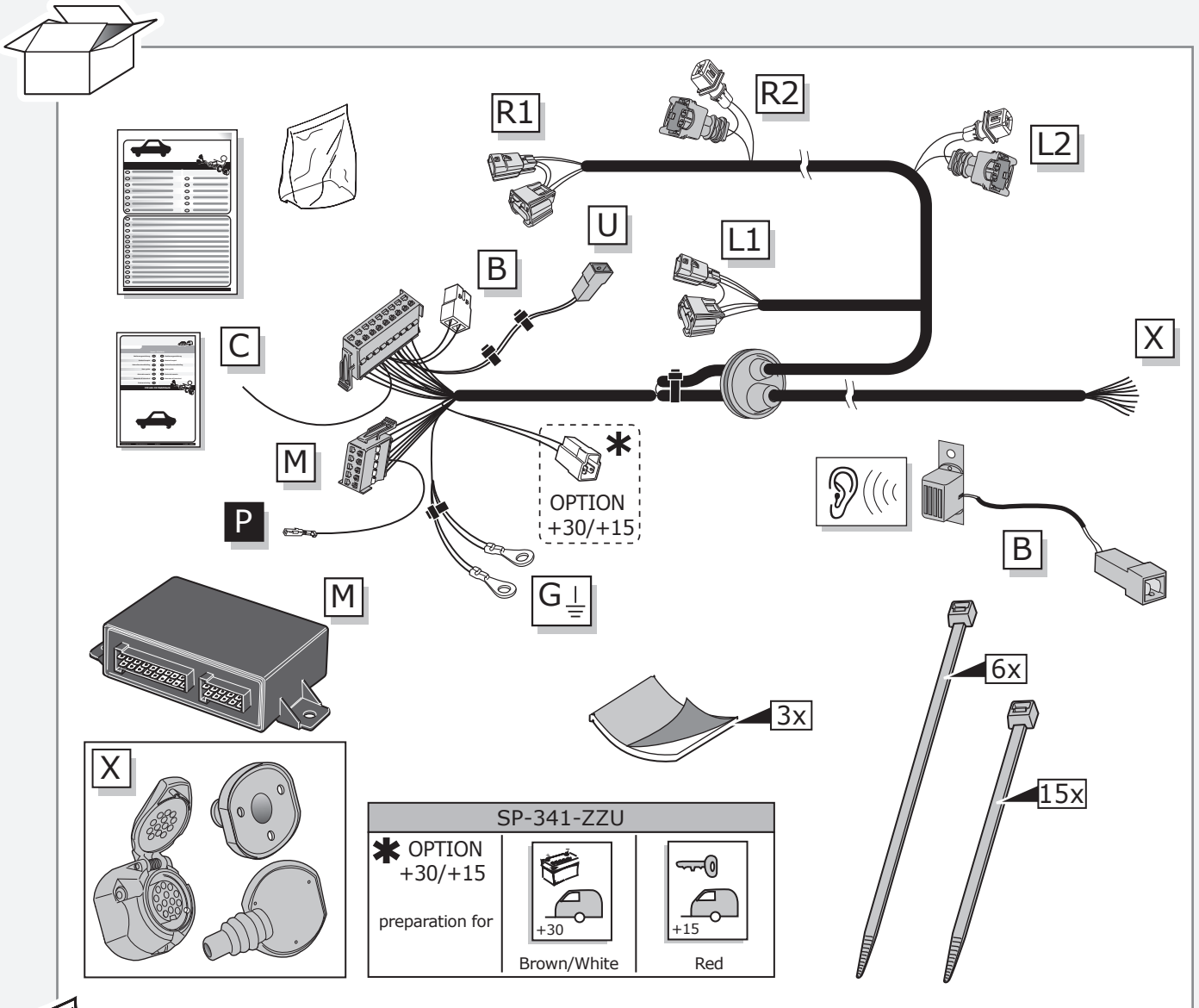
**Renault Scenic 11/2016-
Renault Grand Scenic 12/2016-**

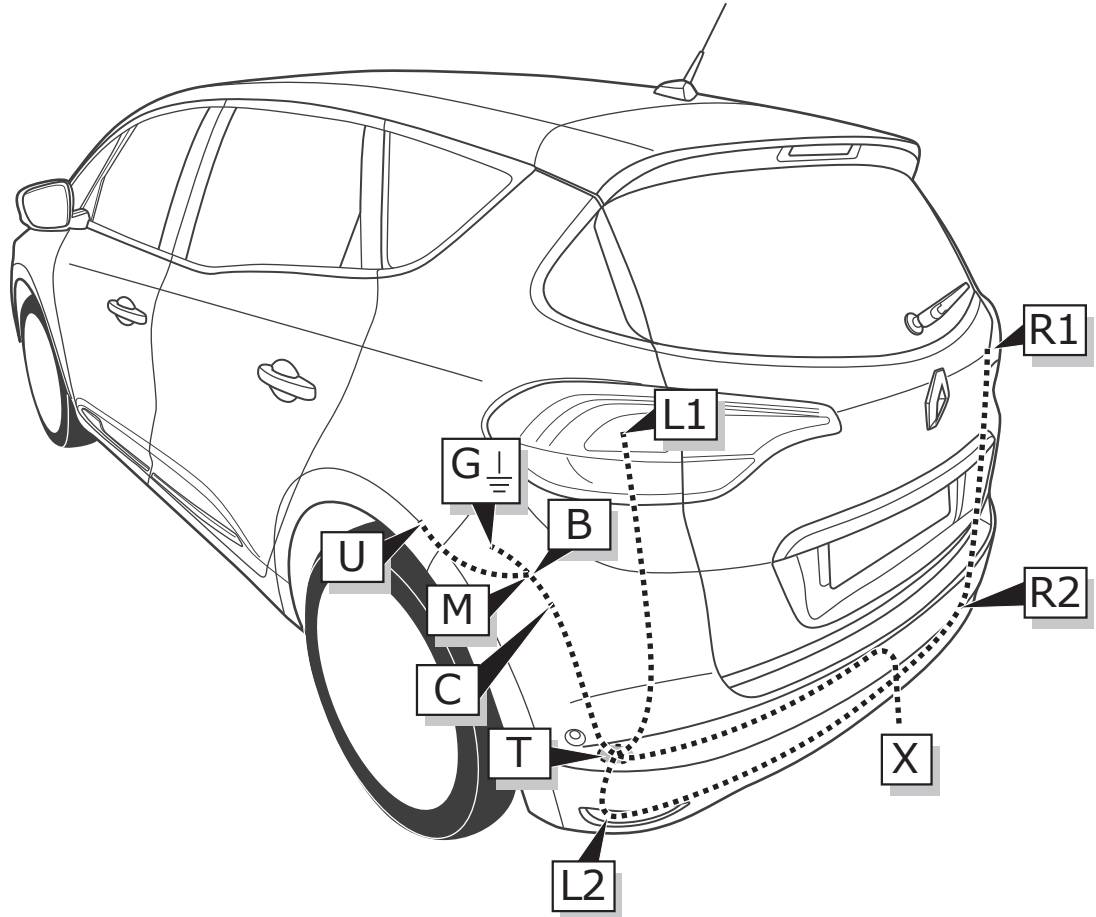
Partnr.: RN-136-DHU

- Fitting instructions electric wiring kit tow bar with 13-P socket up to DIN/ISO Norm 11446.
- We would expressly point out that assembly not carried out properly by a competent installer will result in cancellation of any right to damage compensation, in particular those arising by virtue of the product liability act.
- Contents of these kits and their fitting manuals are subject to alteration without notice, please ensure that these instructions are read and fully understood before commencing installation.
- Do not overload circuits; the maximum loads per connection are detailed in this manual.
- Attention! Before Installation, please read this manual carefully and inform your customer to consult the vehicle owners manual to check for any vehicle modifications required before towing.
- In the event of functional problems, troubleshooting must be limited to about 0.5 hours, contact the technical support:
t.skinner@ecs-electronics.com / 07440 202 052.

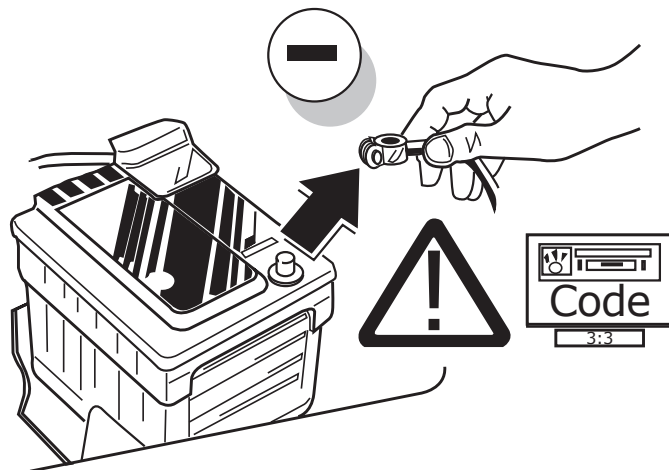


Part list

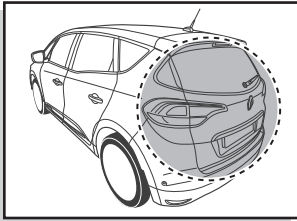




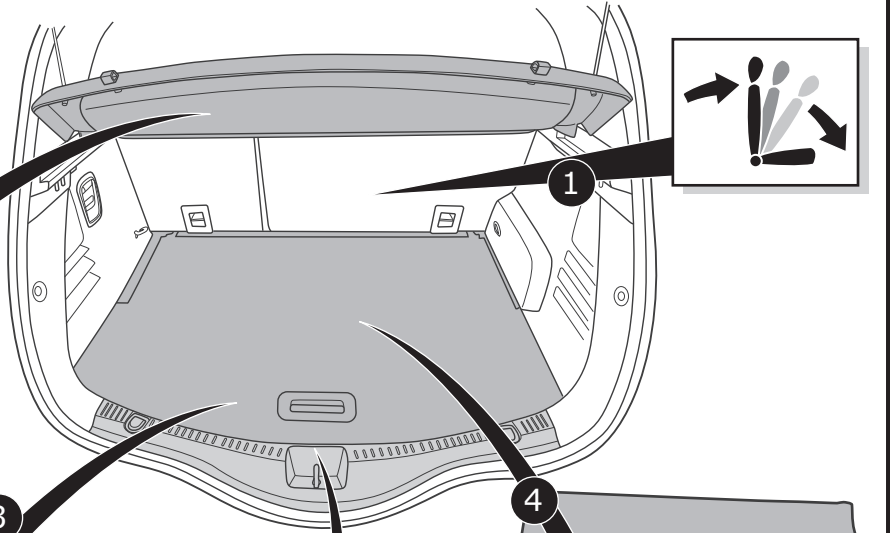
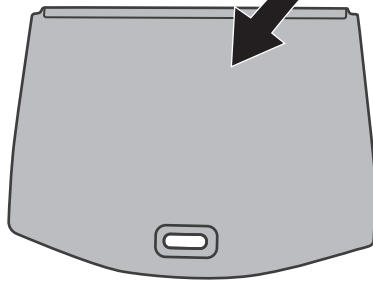
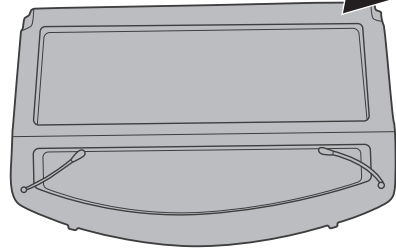
1



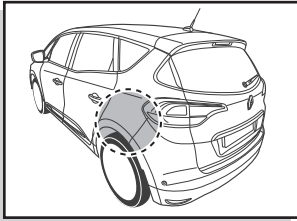
2



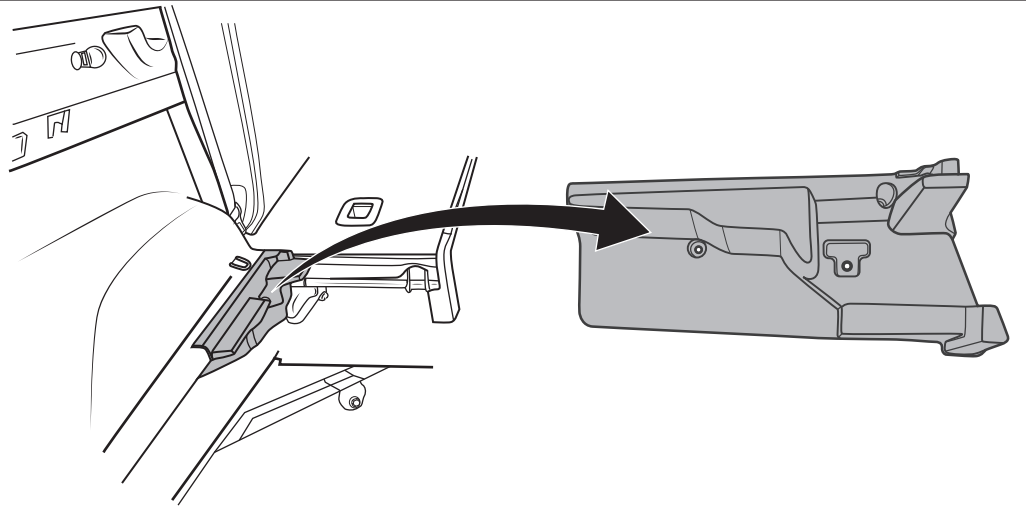
Scenic



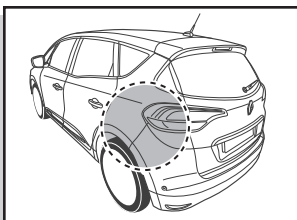
3



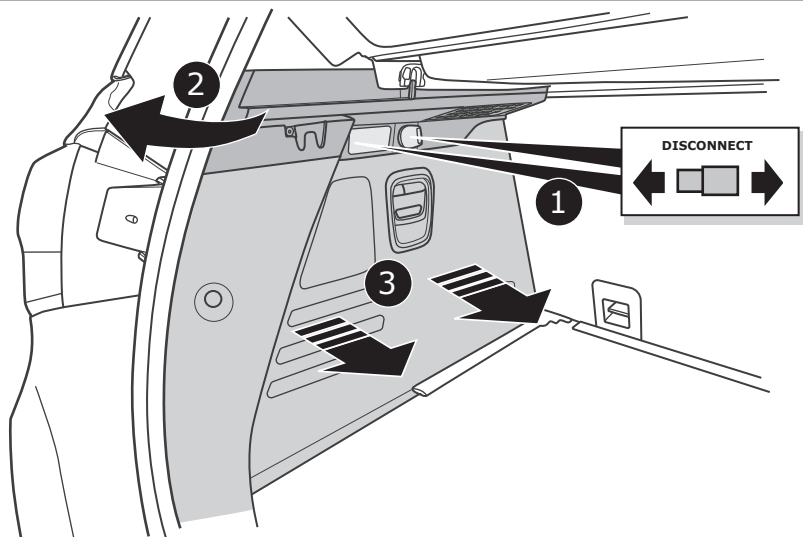
Scenic



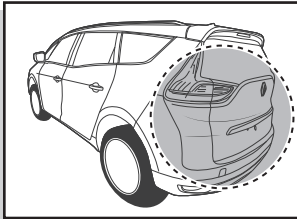
4



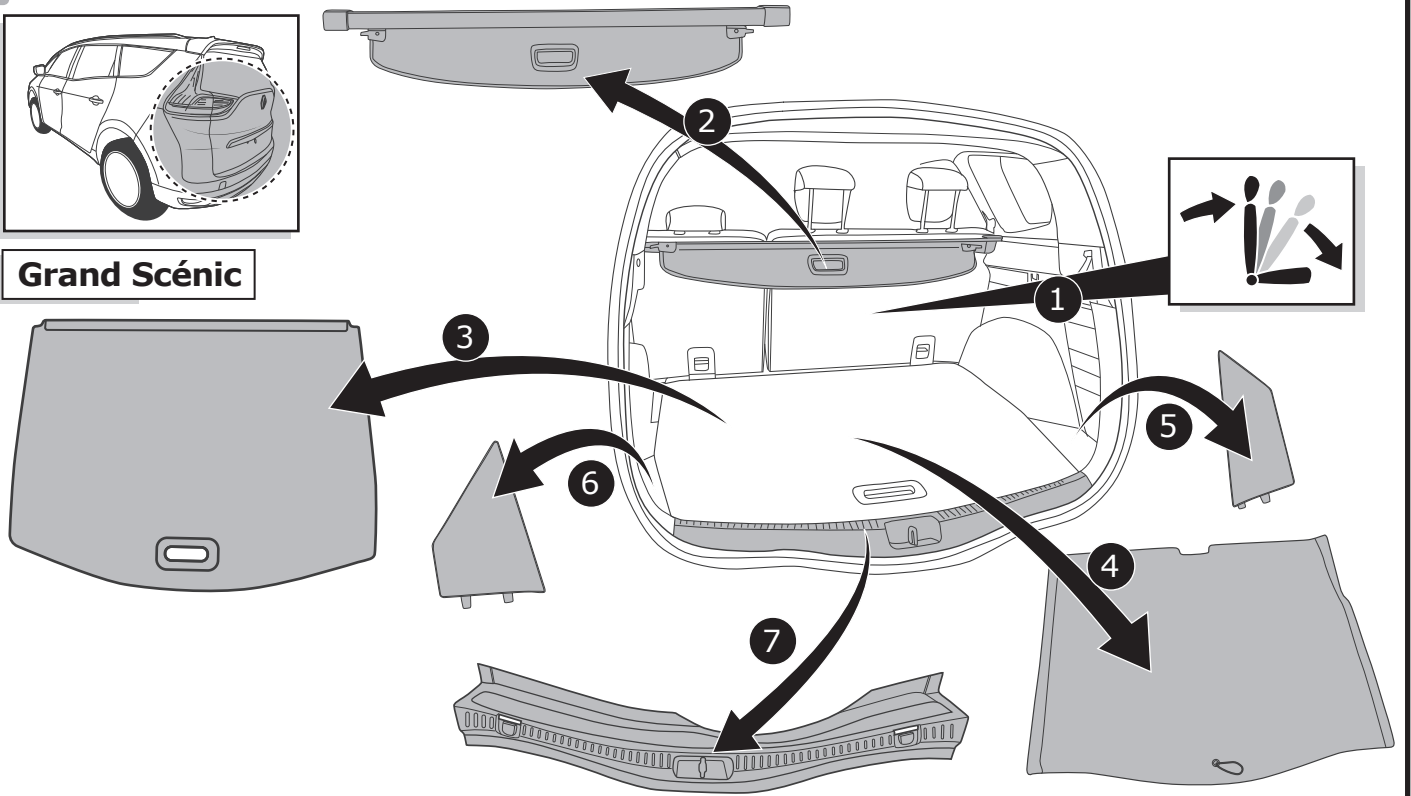
Scenic



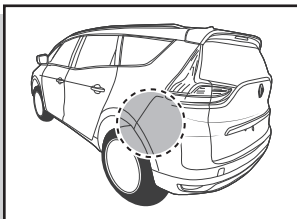
5



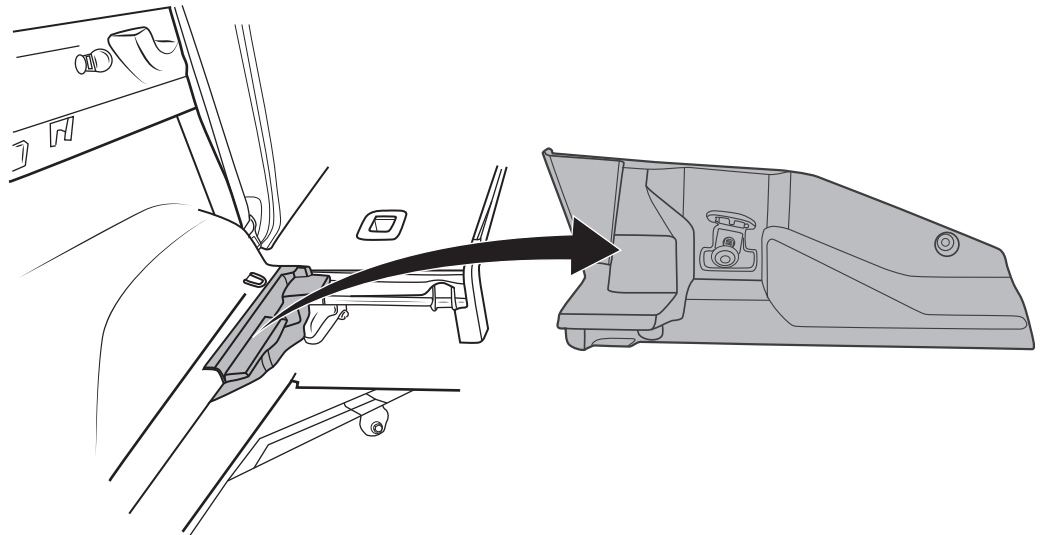
Grand Scénic



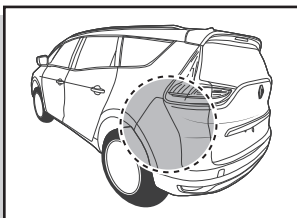
6



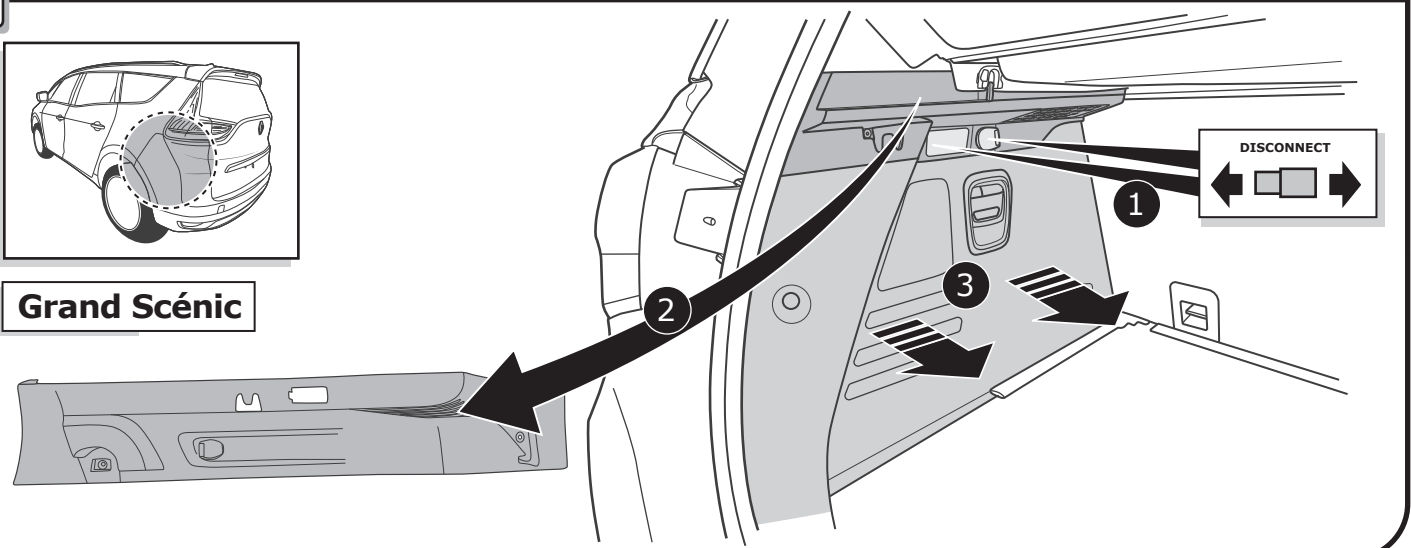
Grand Scénic

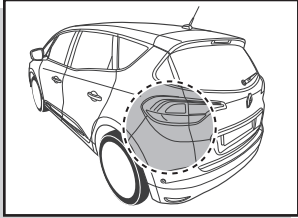


7

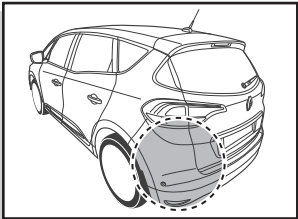
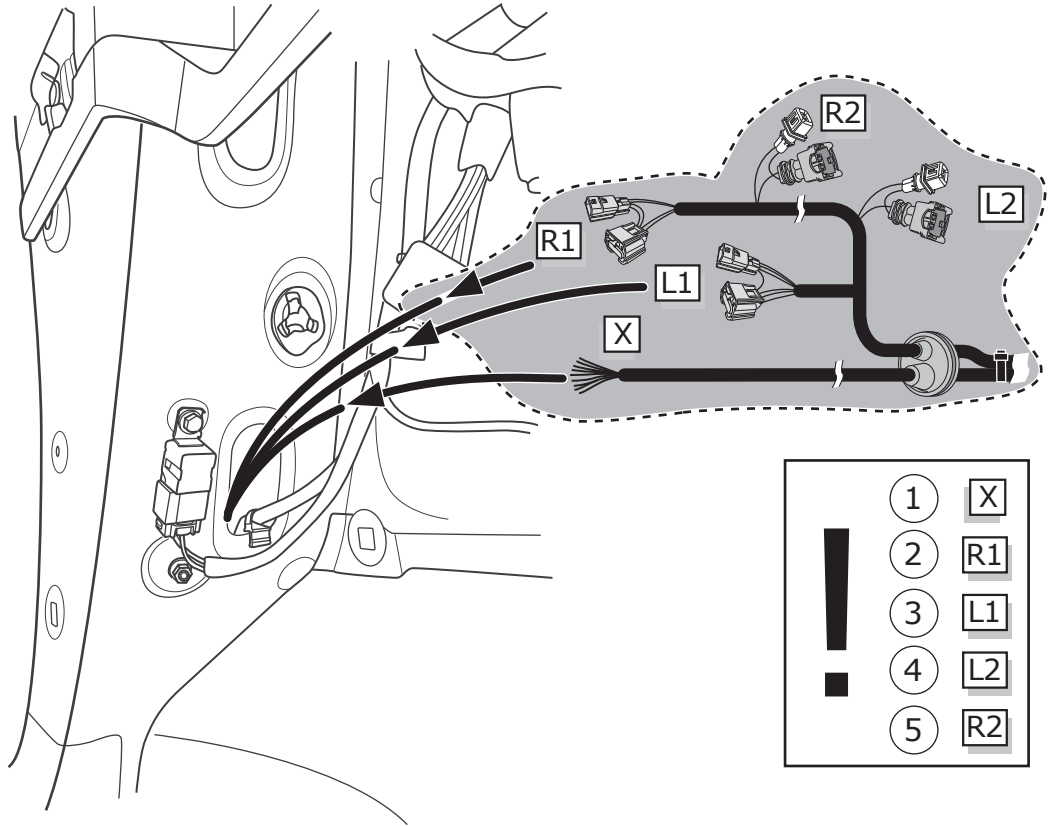


Grand Scénic

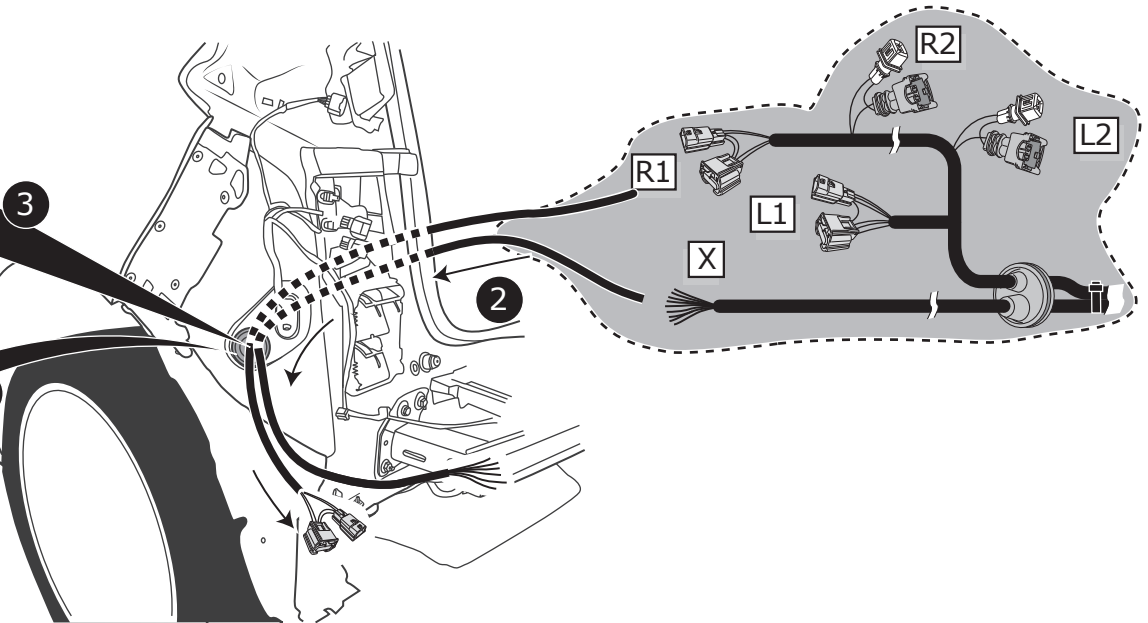
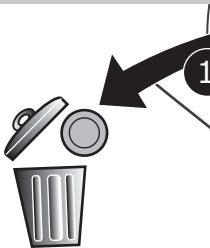


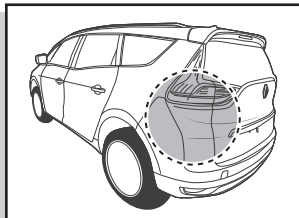


Scenic

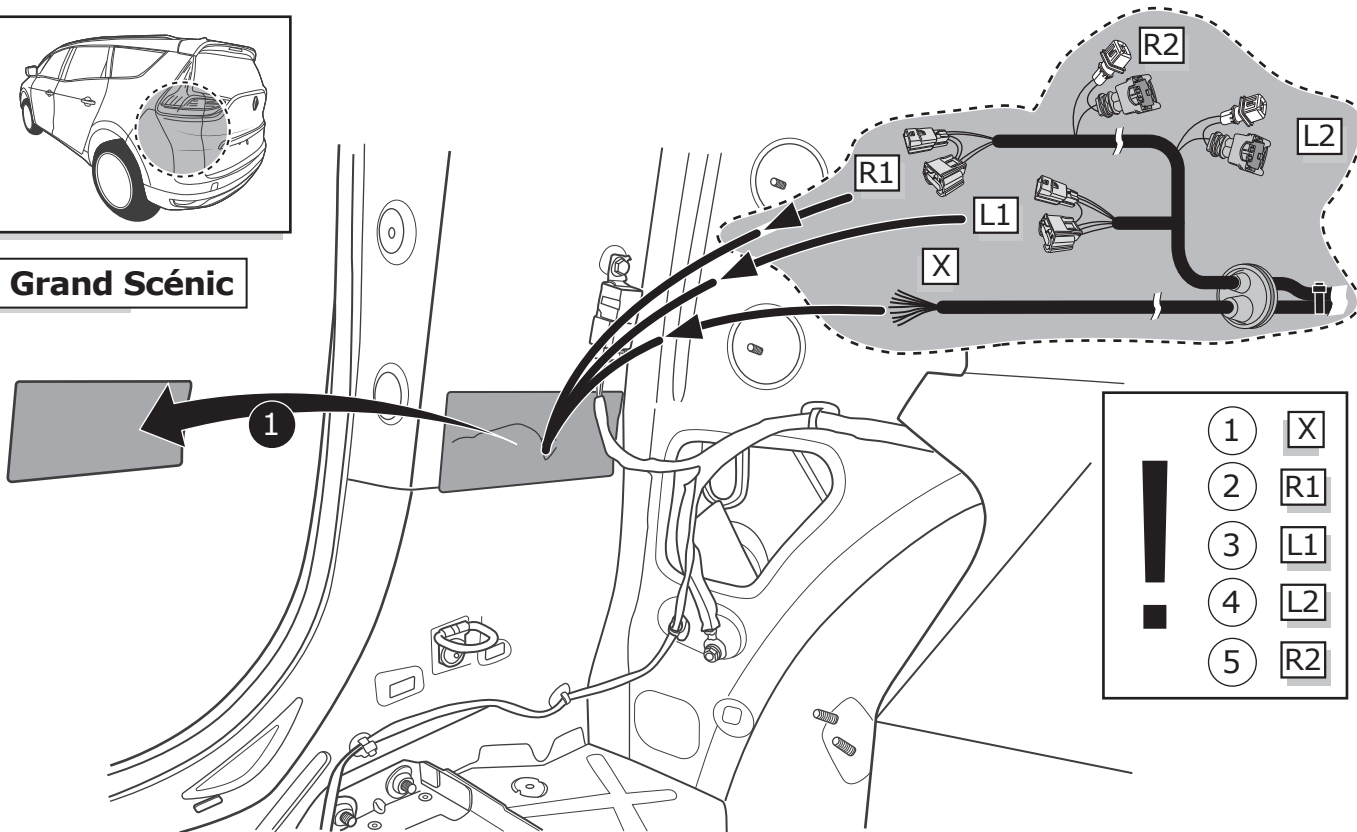


Scenic

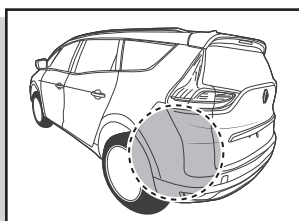




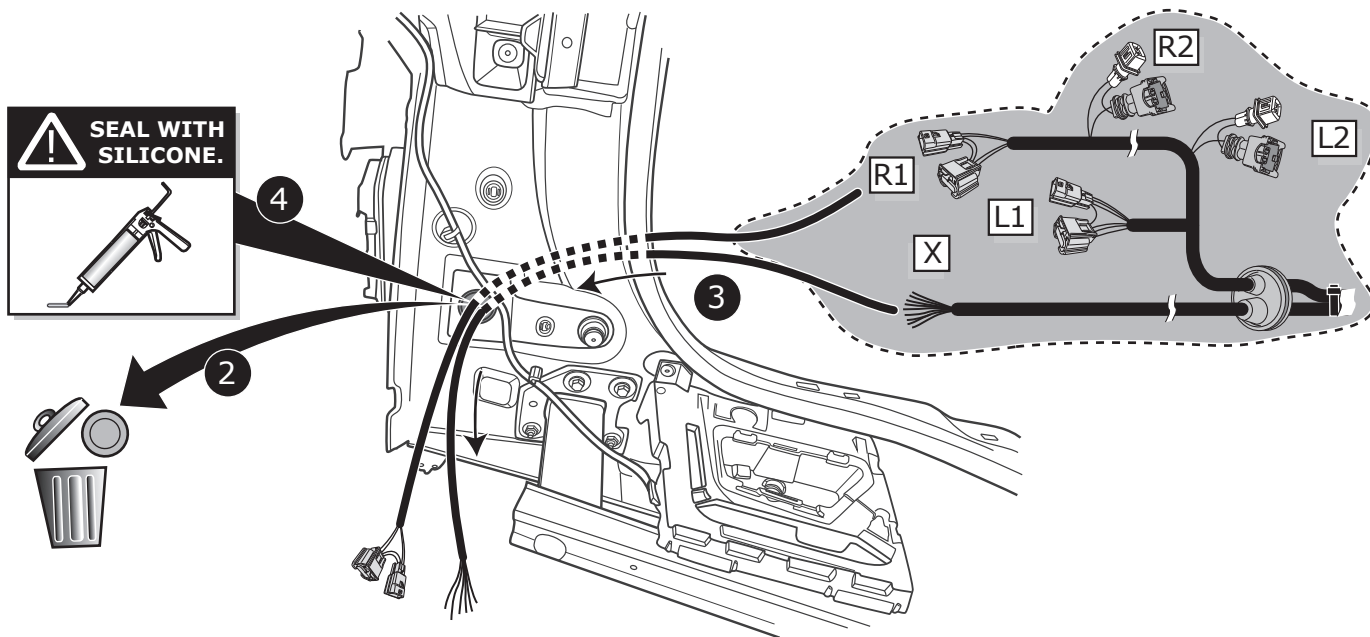
Grand Scenic

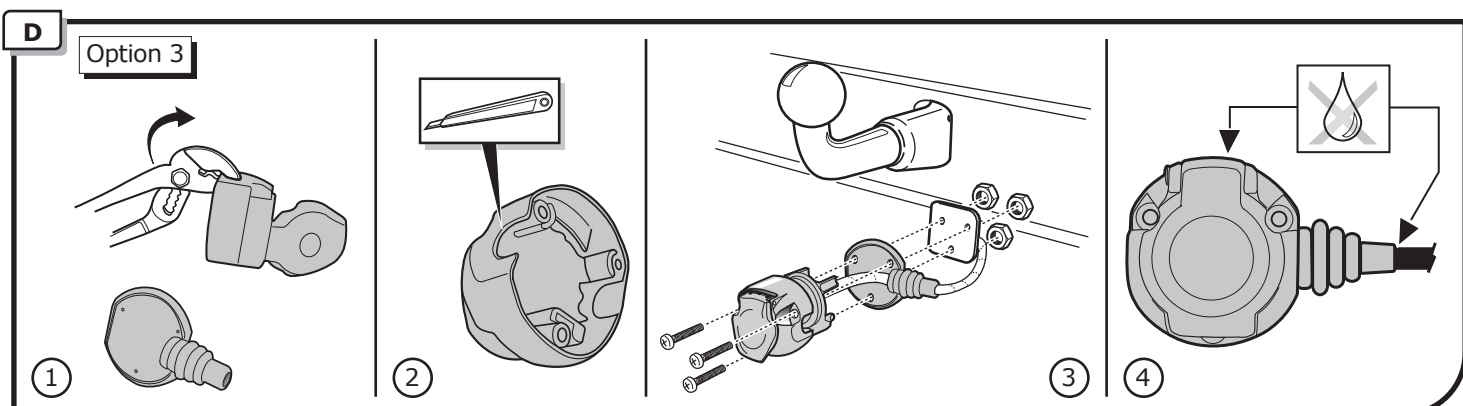
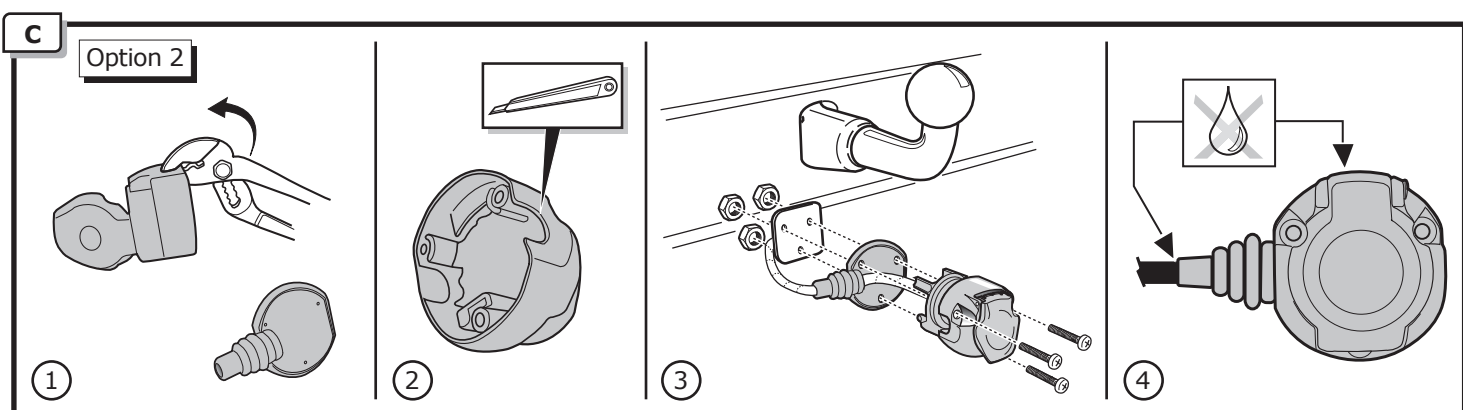
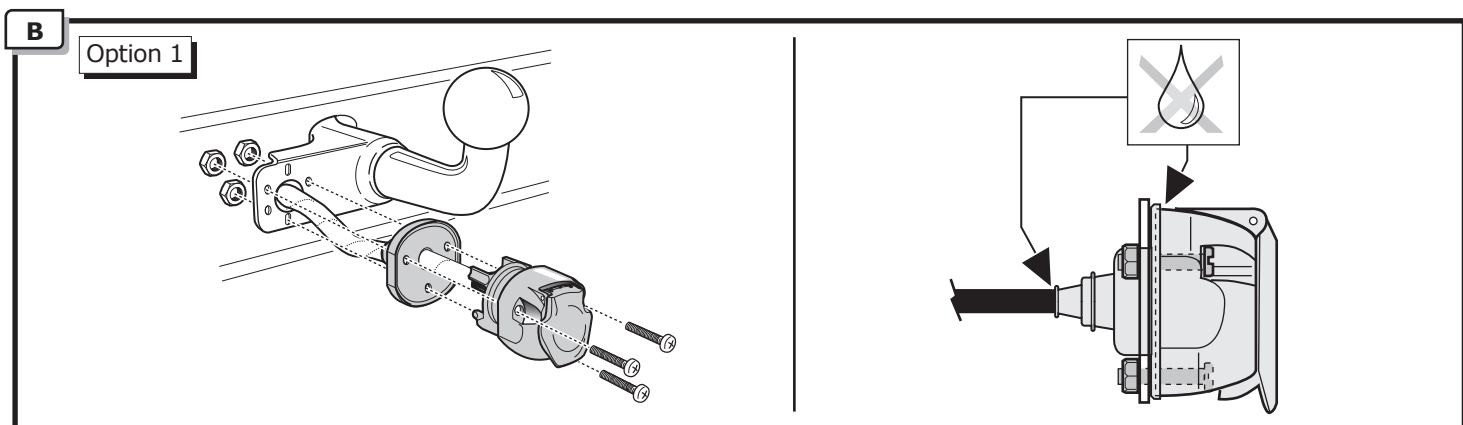
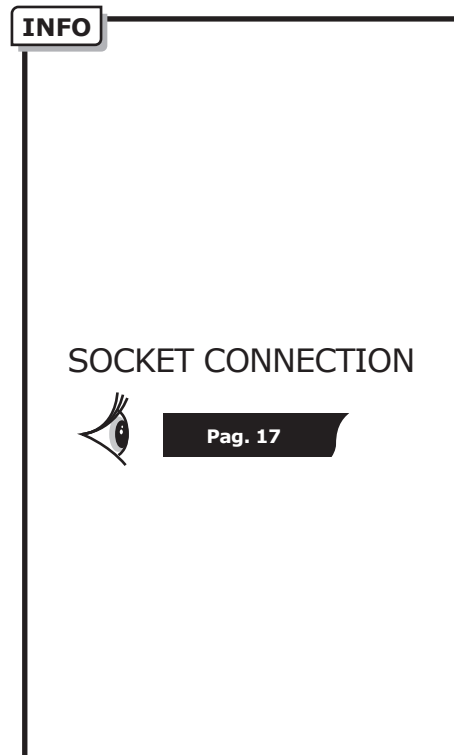
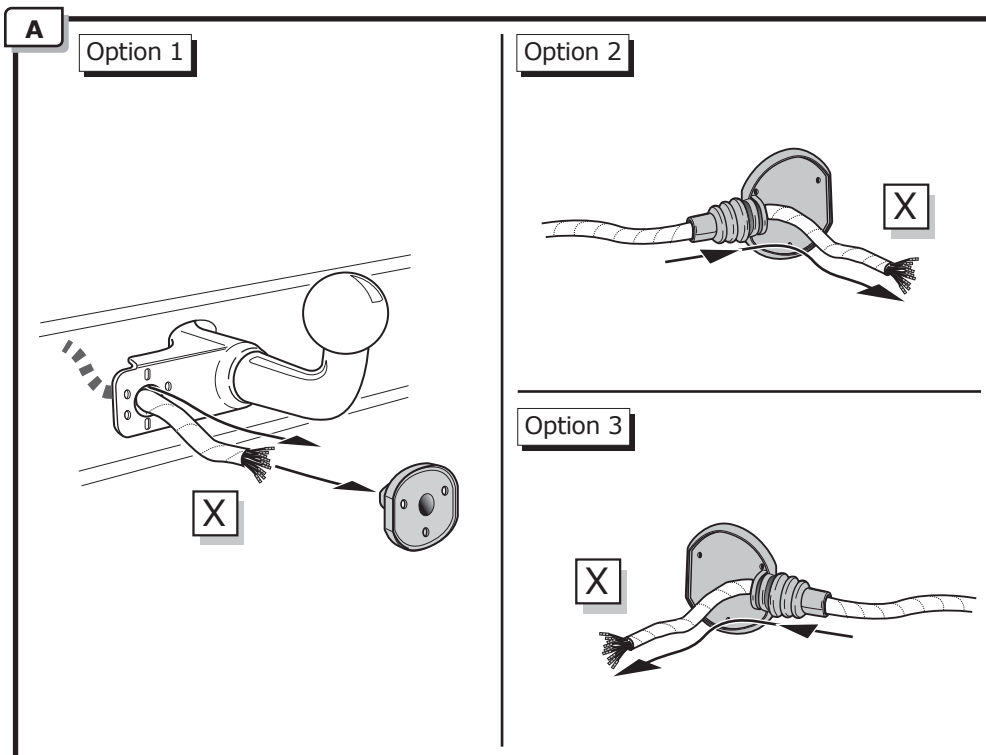


1	X
2	R1
3	L1
4	L2
5	R2

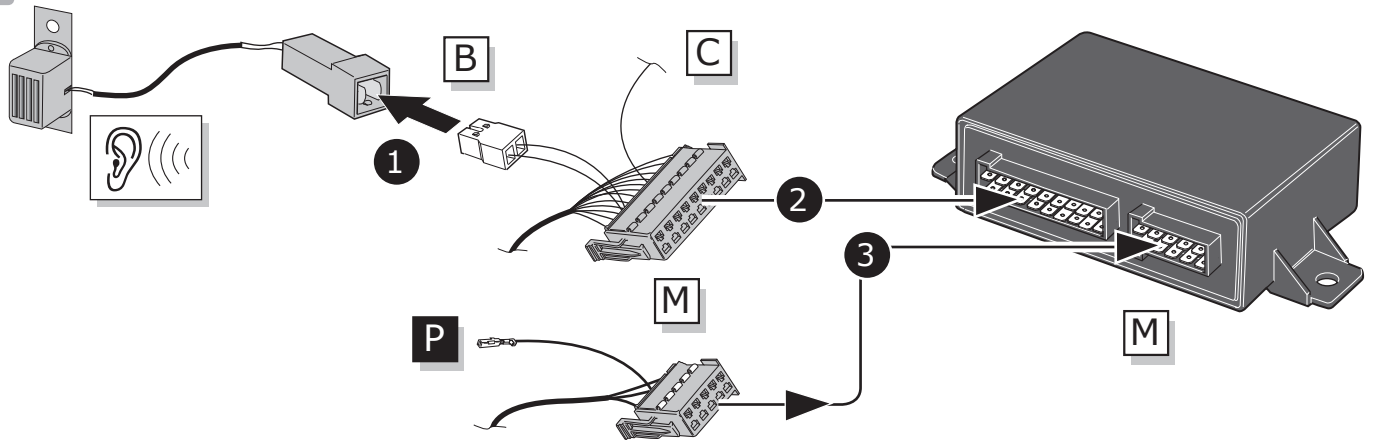


Grand Scenic

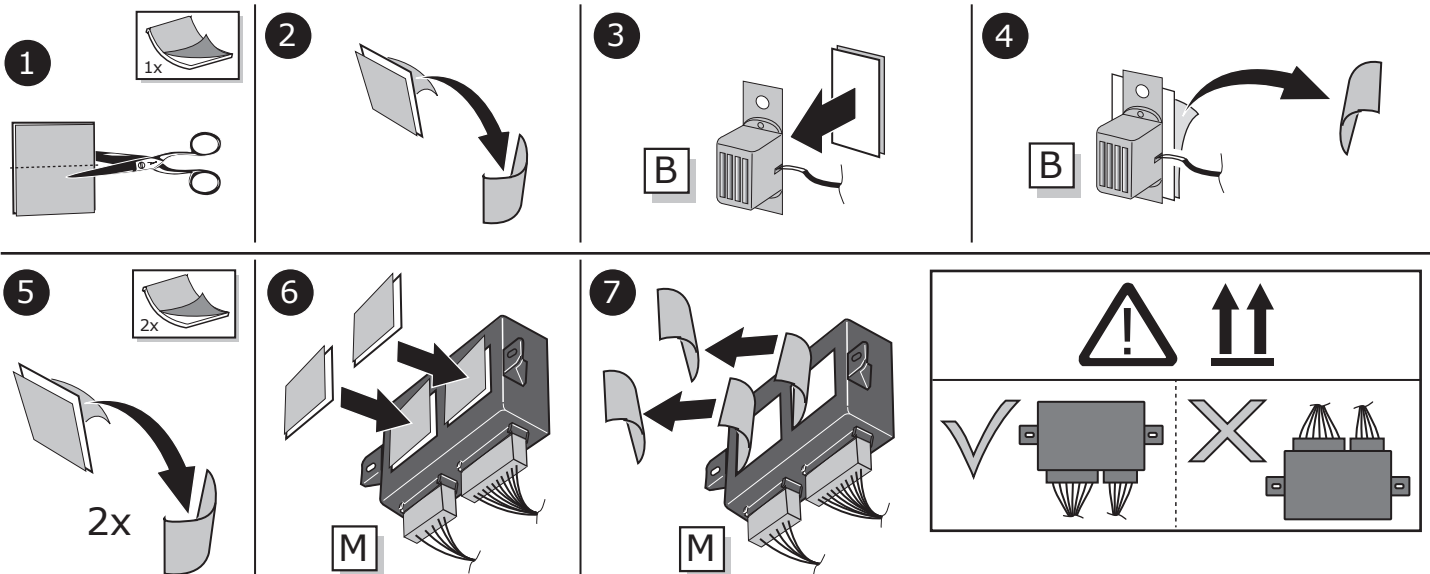




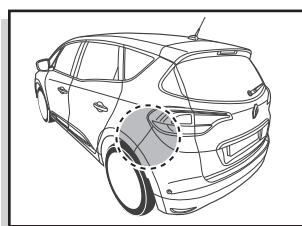
10



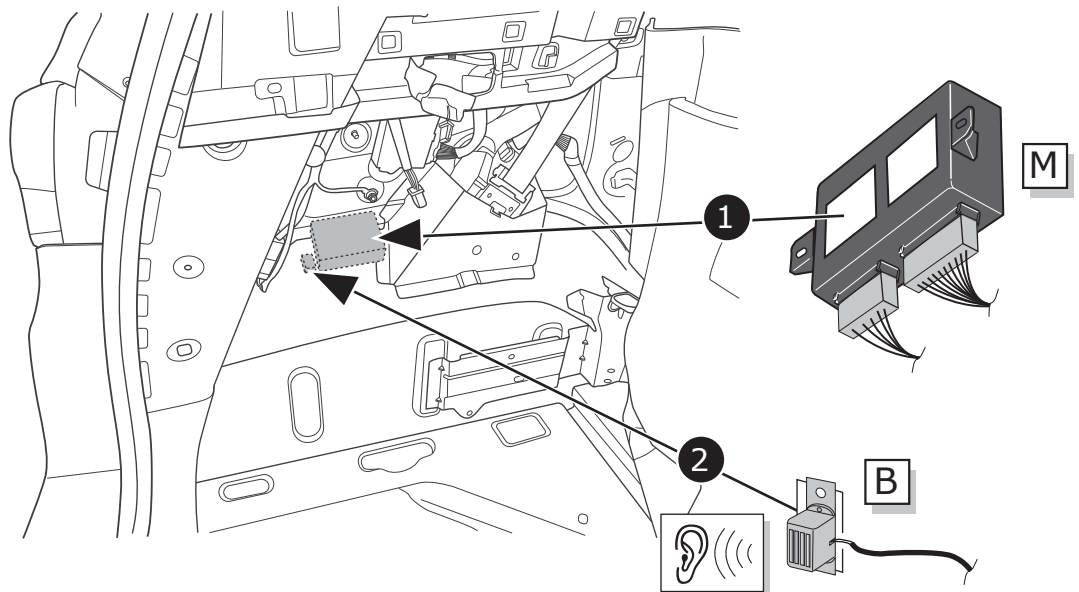
11



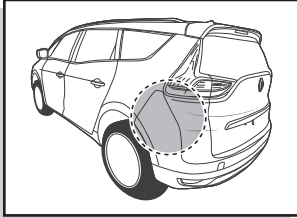
12



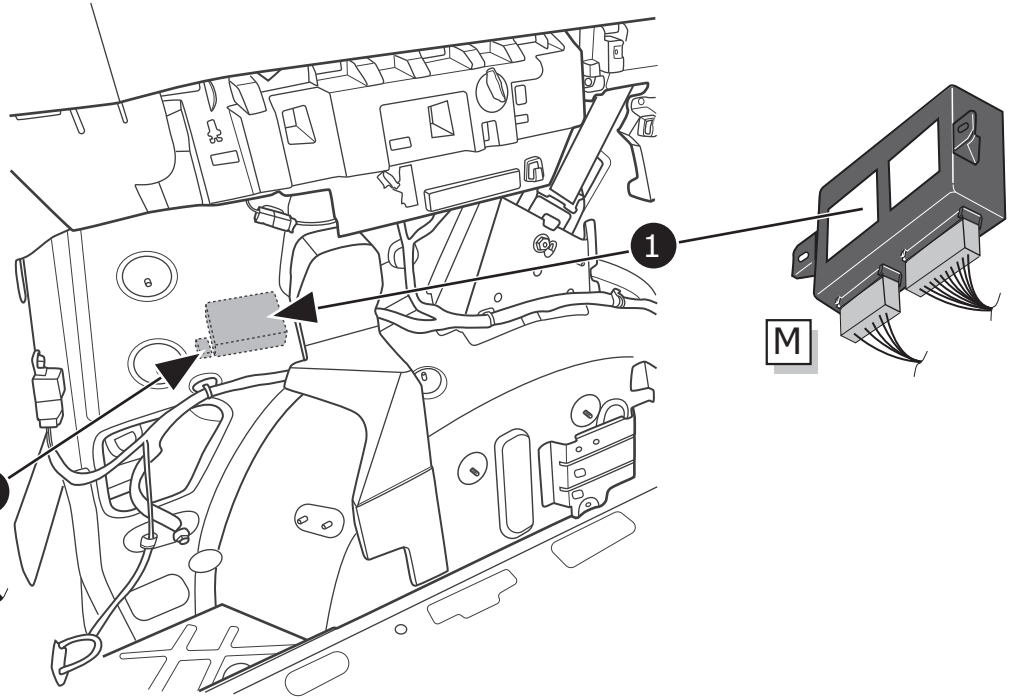
Scénic



13



Grand Scenic



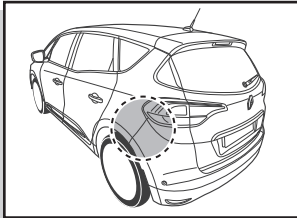
B

2

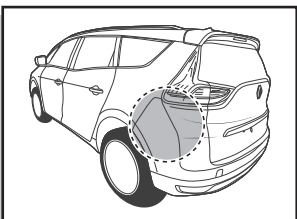
1

M

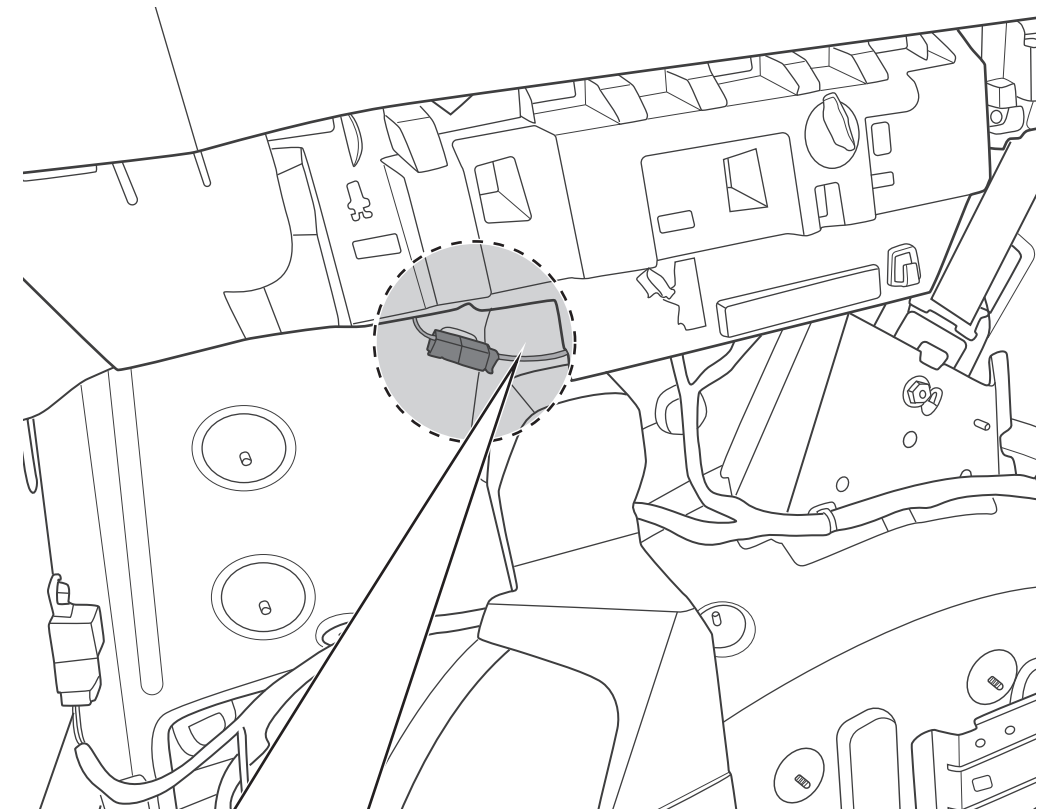
14



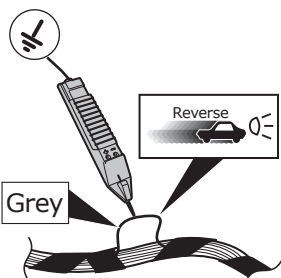
Scenic



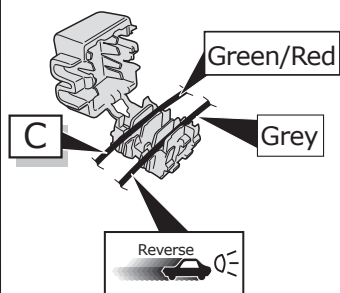
Grand Scenic



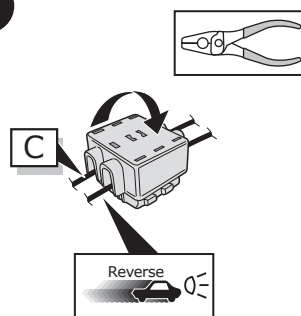
1



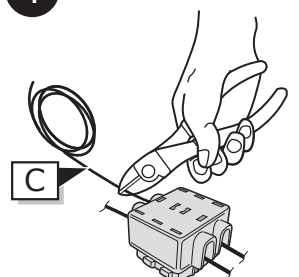
2



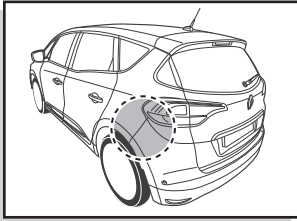
3



4

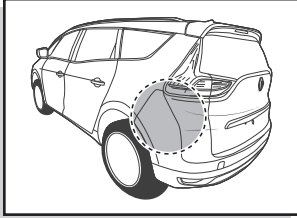


15

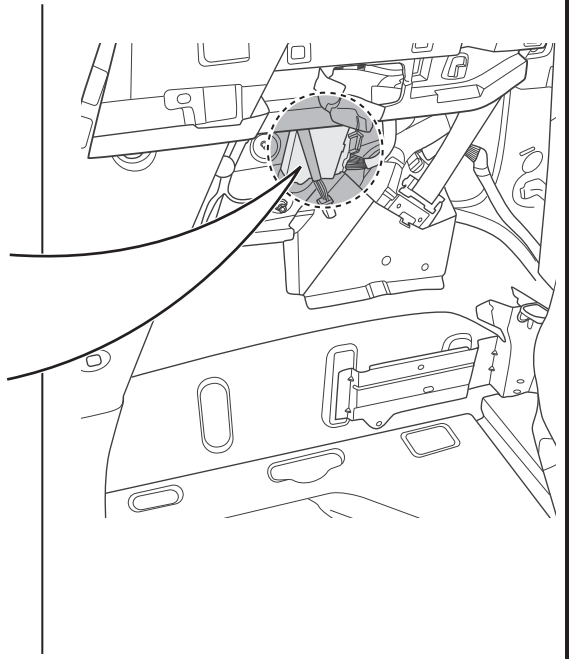
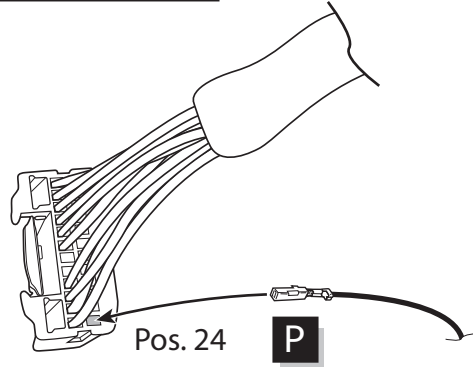


PDC system

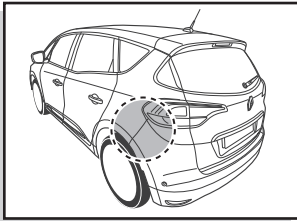
Scénic



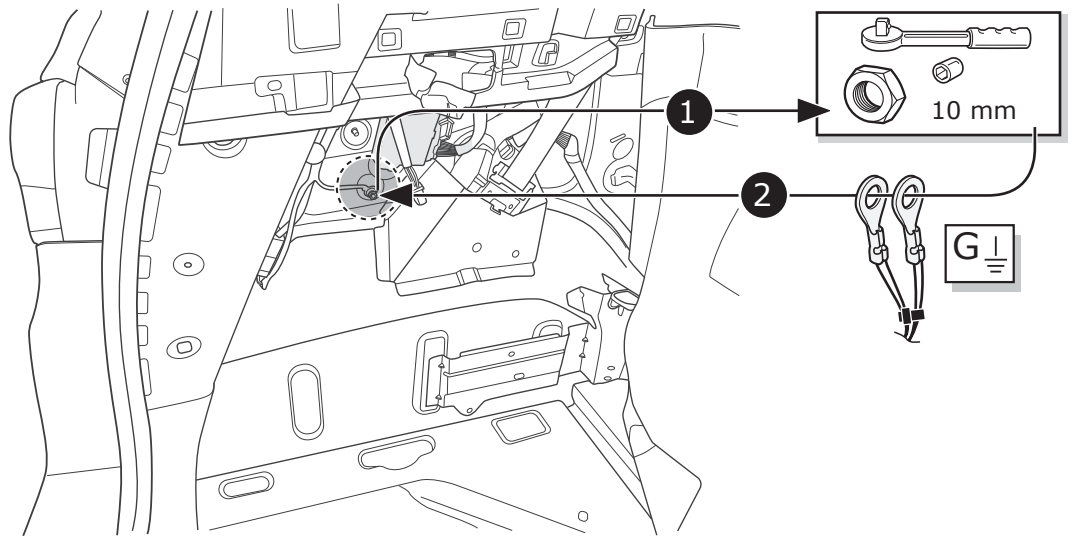
Grand Scénic



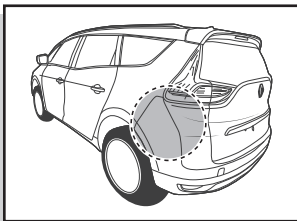
16



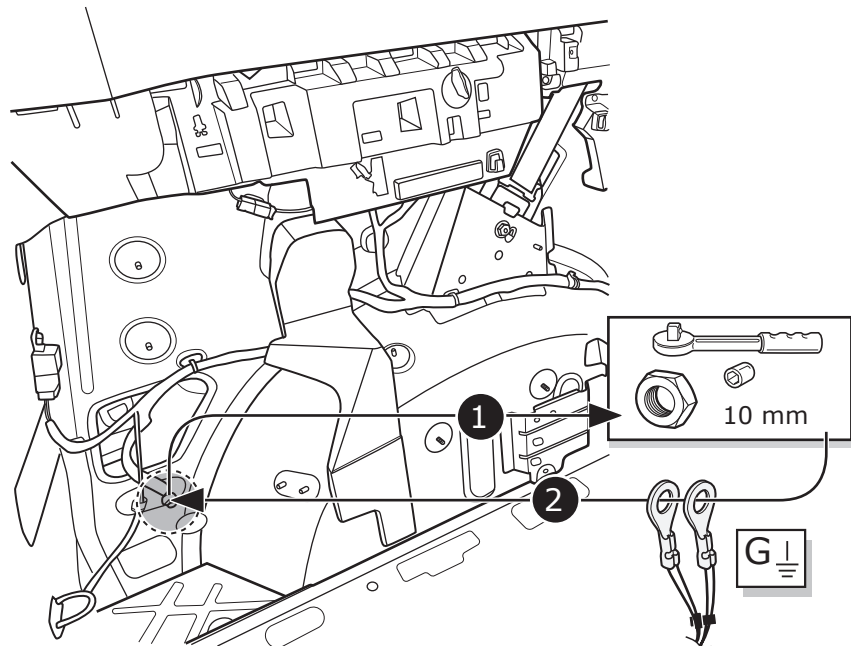
Scénic



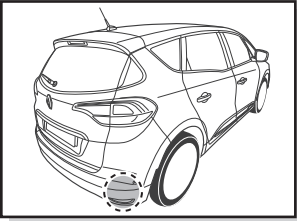
17



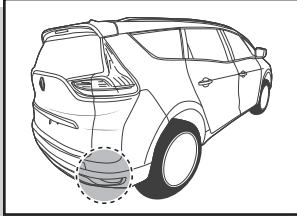
Grand Scénic



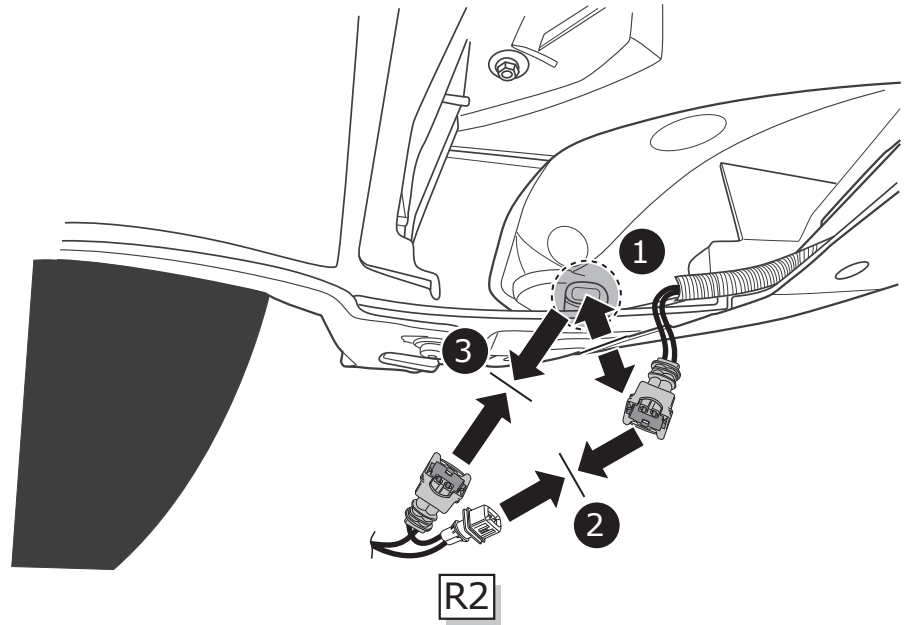
18



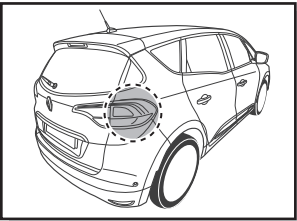
Scénic



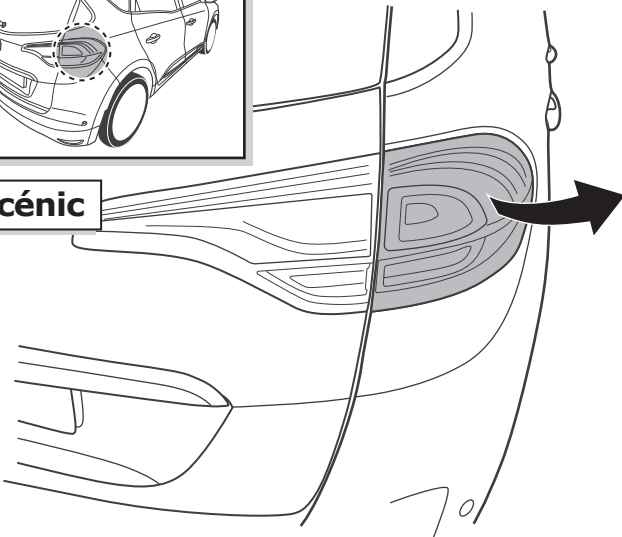
Grand Scénic



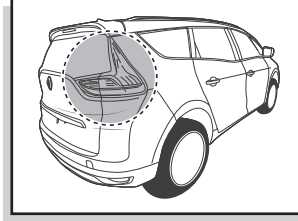
19



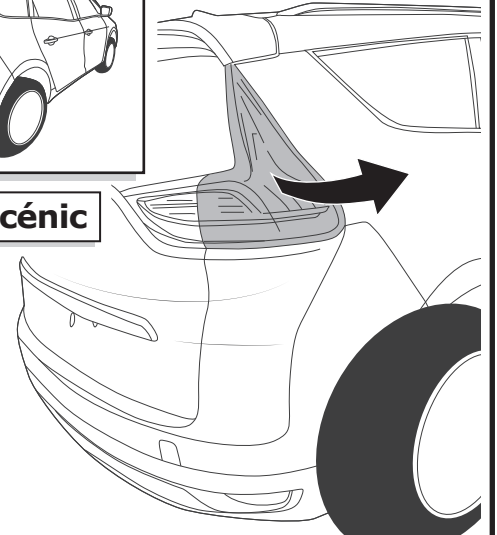
Scénic



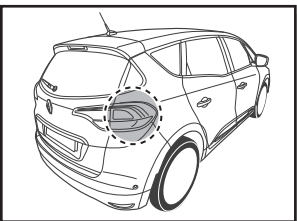
20



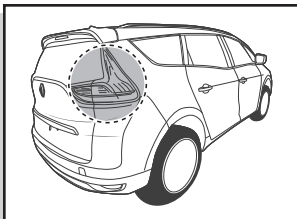
Grand Scénic



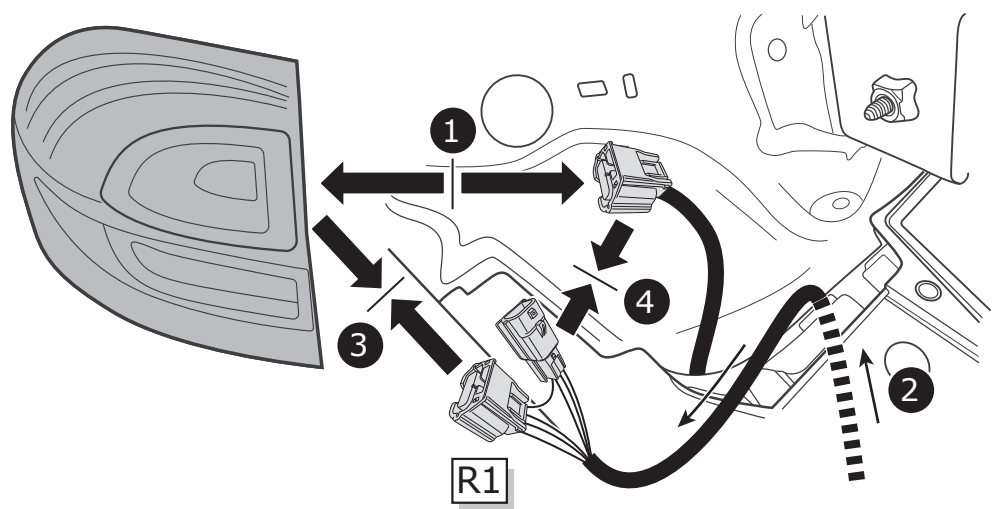
21



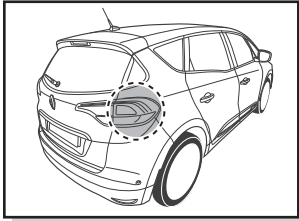
Scénic



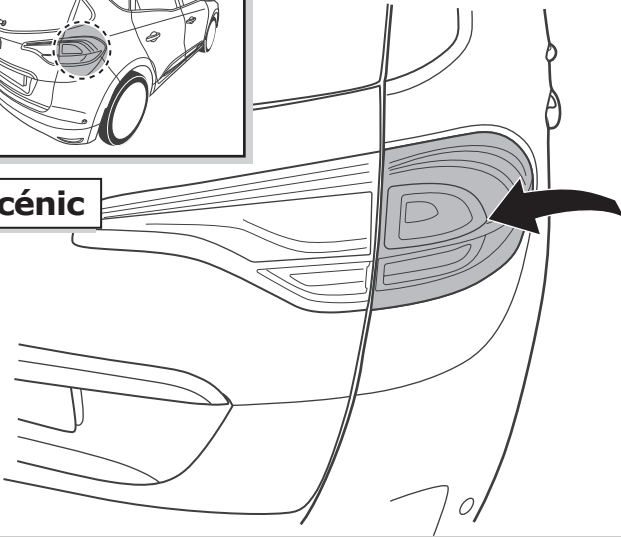
Grand Scénic



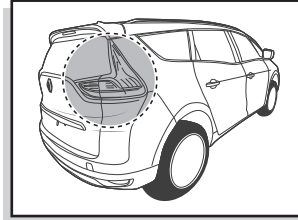
22



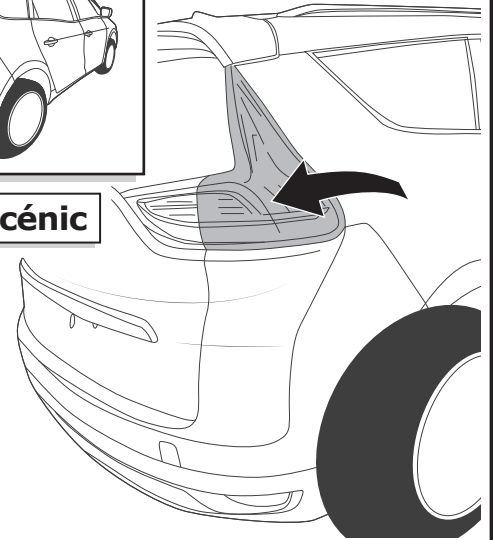
Scénic



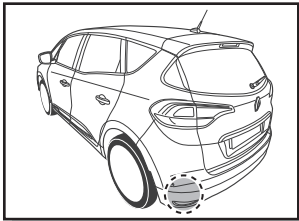
23



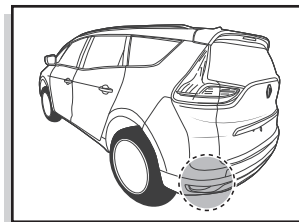
Grand Scénic



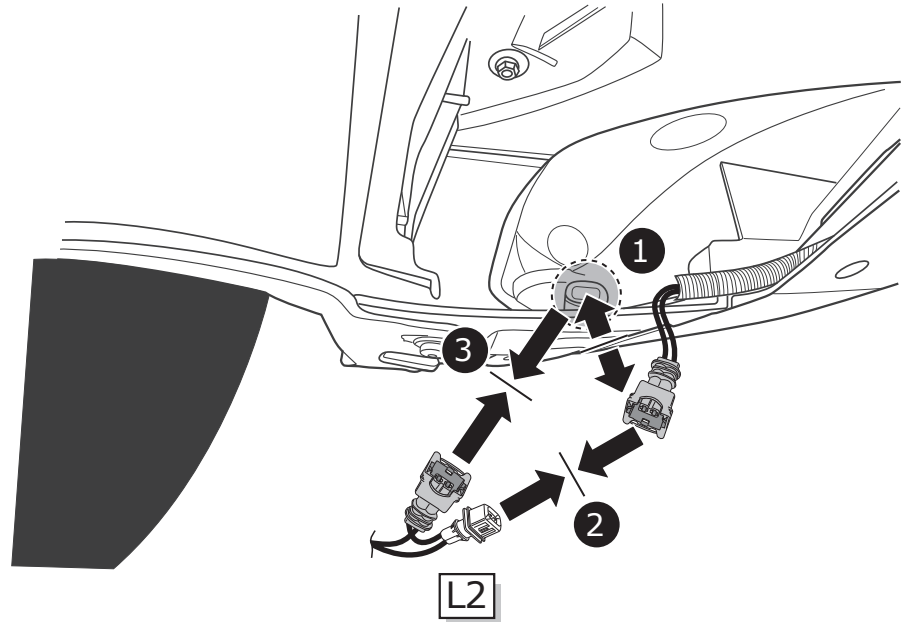
24



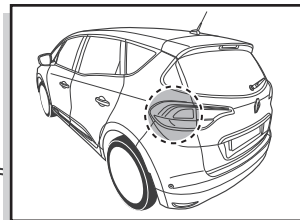
Scénic



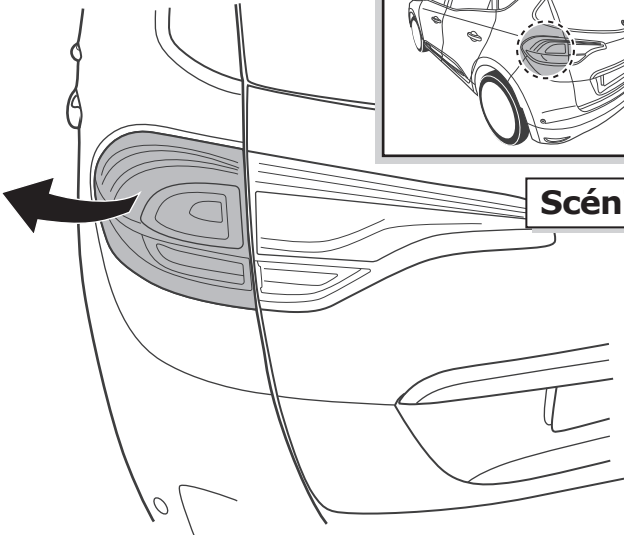
Grand Scénic



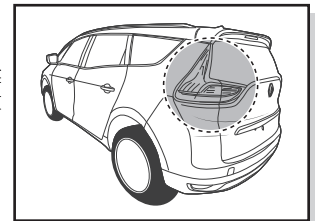
25



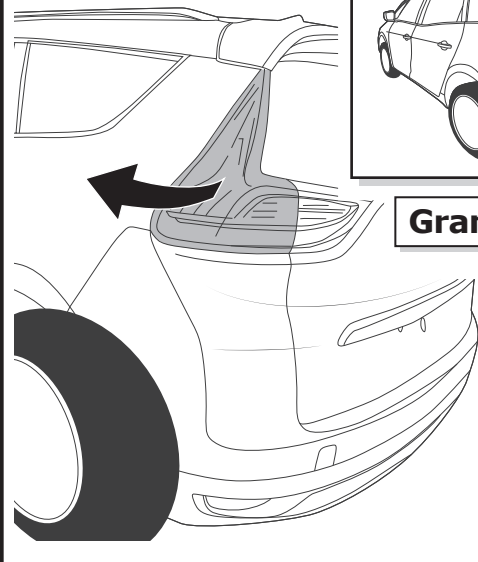
Scénic



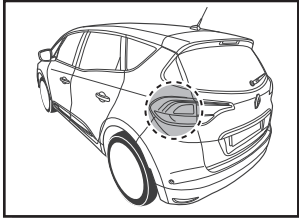
26



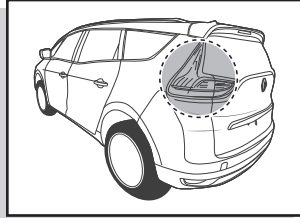
Grand Scénic



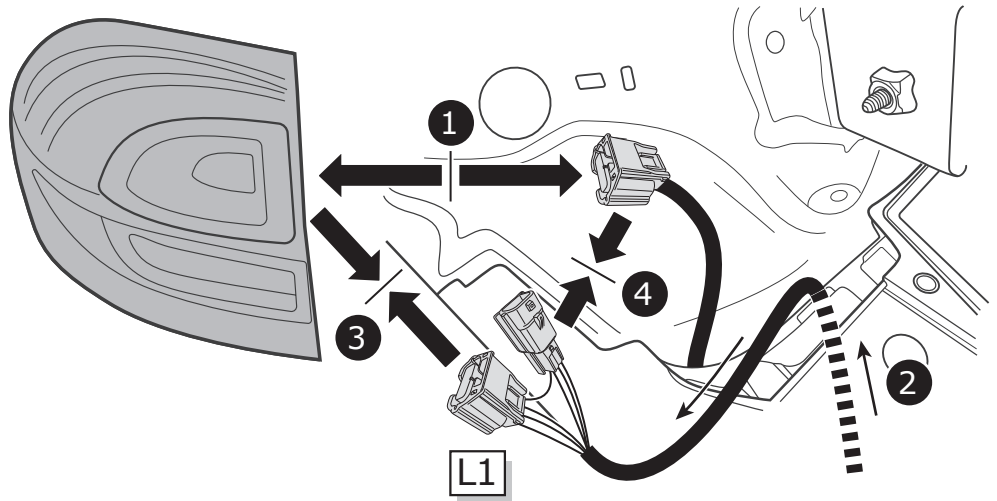
27



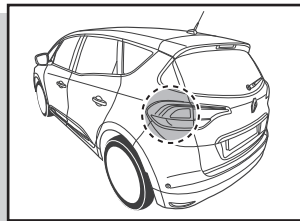
Scénic



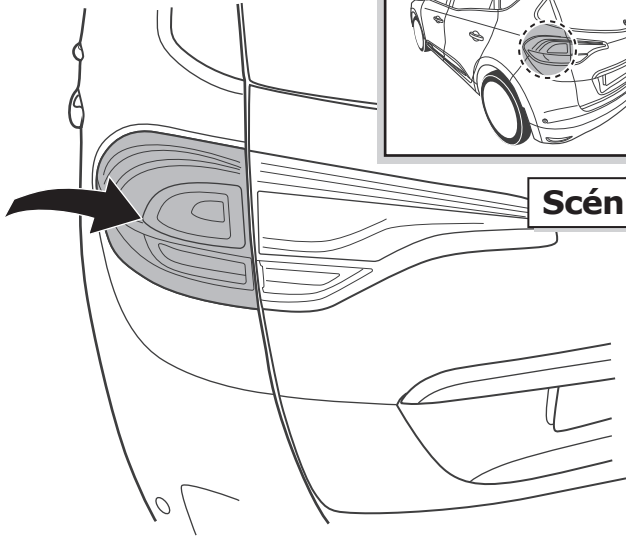
Grand Scénic



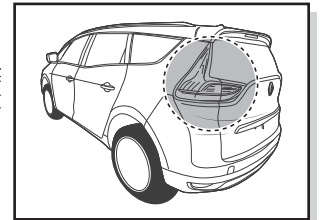
28



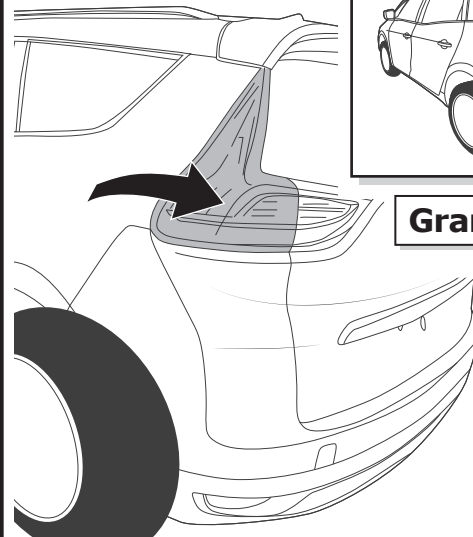
Scénic



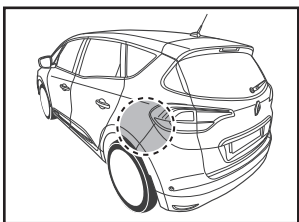
29



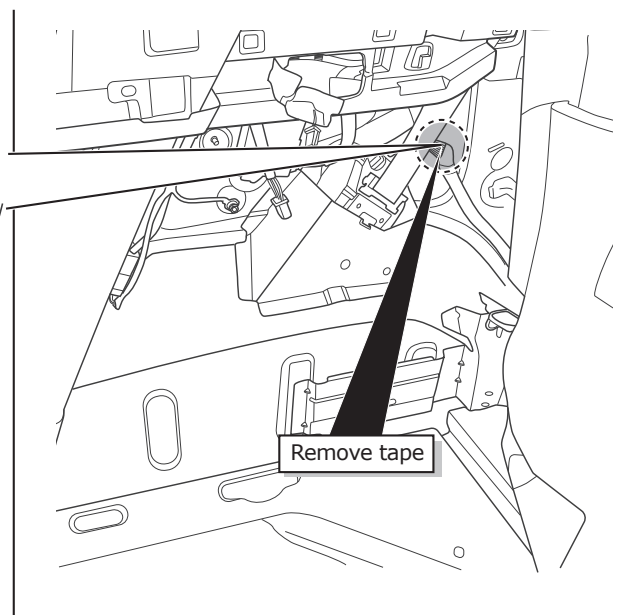
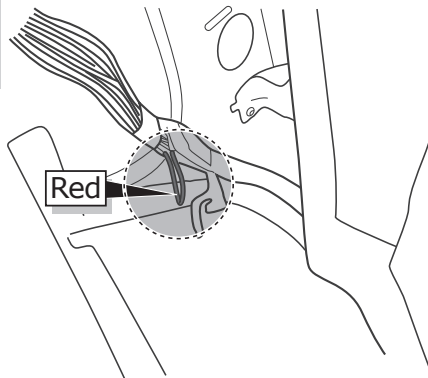
Grand Scénic



30

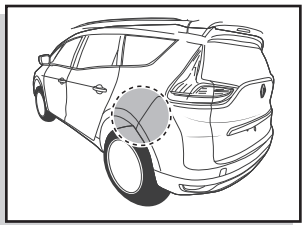


Scénic

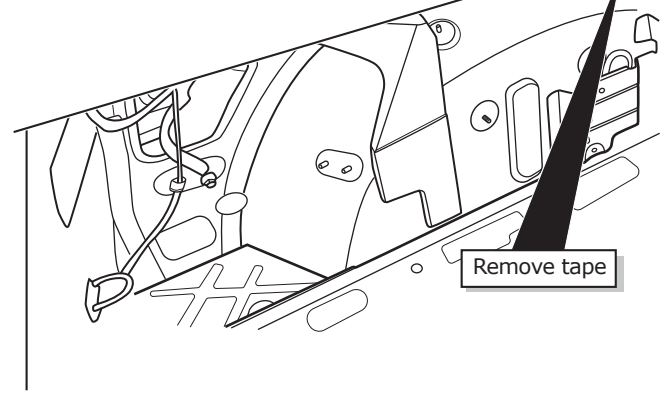
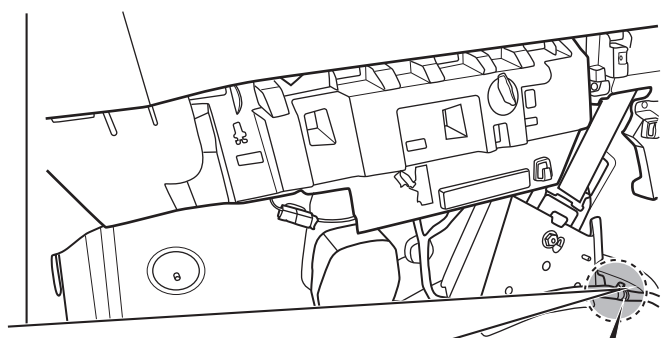
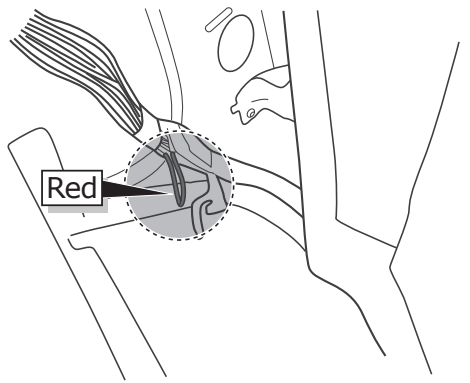


32

31

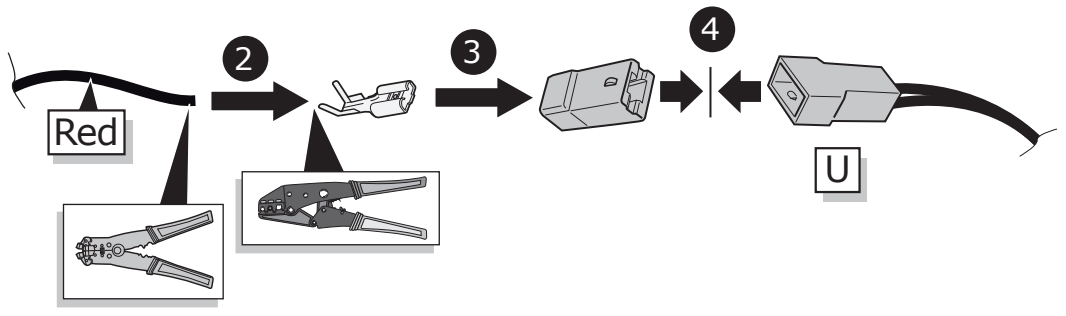
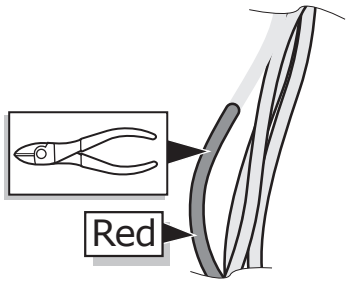


Grand Scenic

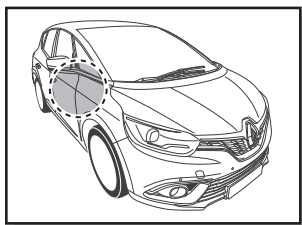


32

1

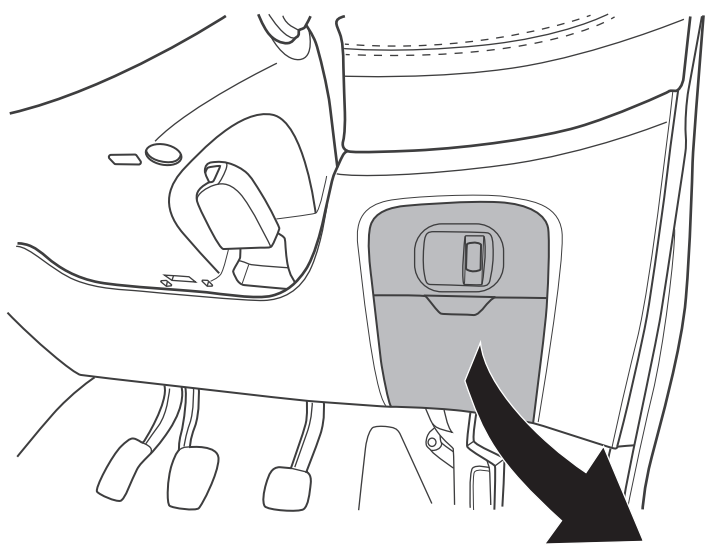


33

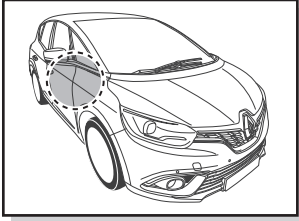


Scenic

Grand Scenic

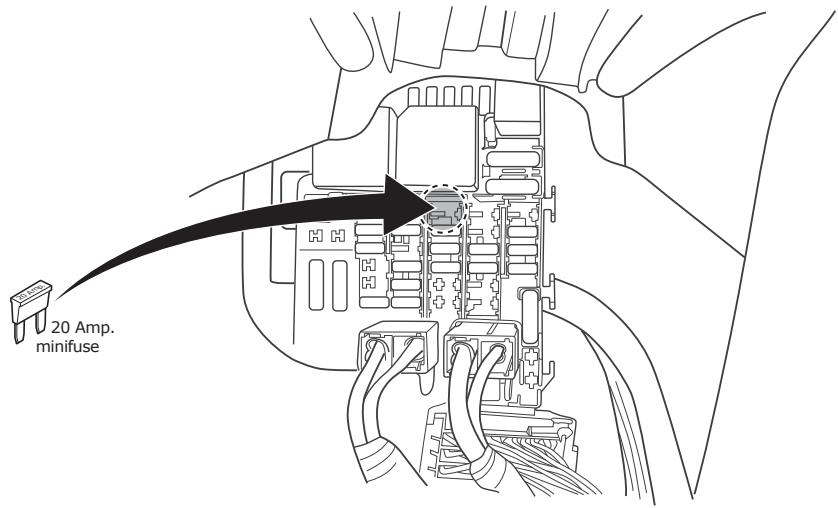


34

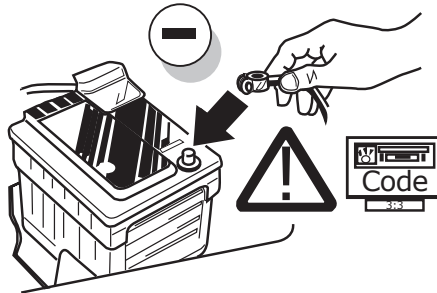


Scénic

Grand Scénic



35



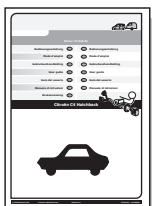
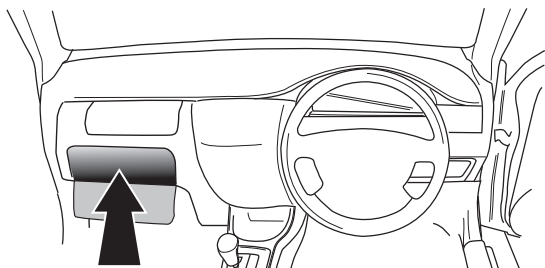
36

TEST ALL THE CIRCUITS WITH A TEST DEVICE WITH THE CORRECT POWER LOAD FOR EACH FUNCTION. A TEST DEVICE WITH LED'S CANNOT BE USED FOR THIS PURPOSE.

INFO

REINSTALL TRIM.

37



User guide



SOCKET CONNECTION

DIN/ISO 11446	1/L	2	3/31	4/R	5/58-R	6/54	7/58-L	8	9	10	11	12	13
Pmax	21W	21W		21W	42W	3x21W	42W	21W	180W/15Amp	180W/15Amp			
Colour	Yellow	Blue	White	Green	Brown	Red 1,00 mm ²	Black	Black/ Red	Brown/ White	Red 2,50 mm ²	White	-	White