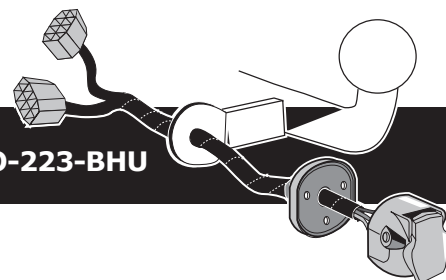


Toyota RAV4 03/2013-  
Toyota RAV4 10/2015-  
Toyota RAV4 Hybrid 10/2015-

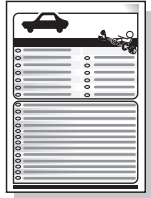
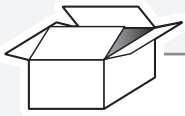
Partnr.: TO-223-BHU



- Fitting instructions electric wiring kit tow bar with 12-N socket up to DIN/ISO Norm 1724.
- We would expressly point out that assembly not carried out properly by a competent installer will result in cancellation of any right to damage compensation, in particular those arising by virtue of the product liability act.
- Contents of these kits and their fitting manuals are subject to alteration without notice, please ensure that these instructions are read and fully understood before commencing installation.
- Do not overload circuits; the maximum loads per connection are detailed in this manual.
- Attention! Before Installation, please read this manual carefully and inform your customer to consult the vehicle owners manual to check for any vehicle modifications required before towing.
- In the event of functional problems, troubleshooting must be limited to about 0.5 hours, contact the technical support:  
[t.skinner@ecs-electronics.com](mailto:t.skinner@ecs-electronics.com) / 07440 202 052.



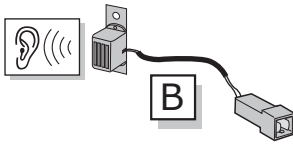
# Part list



L4

L2

X



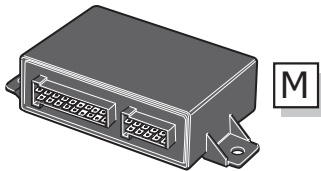
B

L1

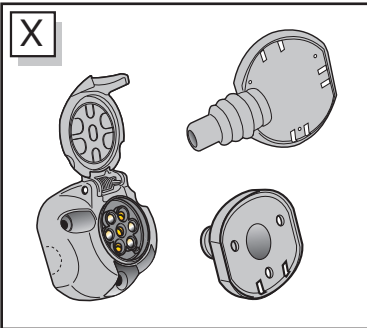
G

B

M



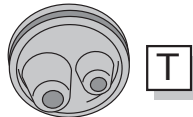
M



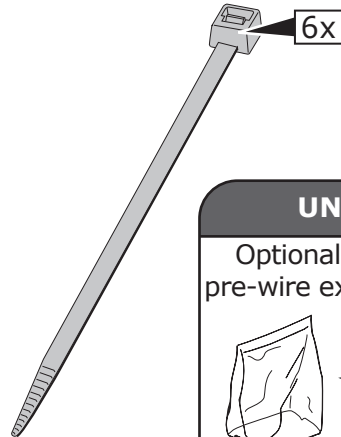
X



3x



T



6x

UN-243-YZ

Optional reverse lamp  
pre-wire extension included



Pag. 12

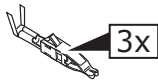


\* OPTION P.D.C.

PARK DISTANCE CONTROL



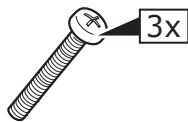
PARK DISTANCE CONTROL



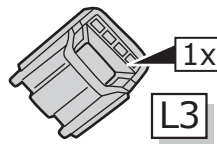
3x



Pag. 11



3x

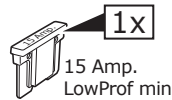


1x

L3

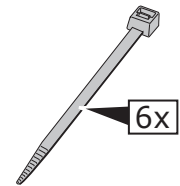


3x



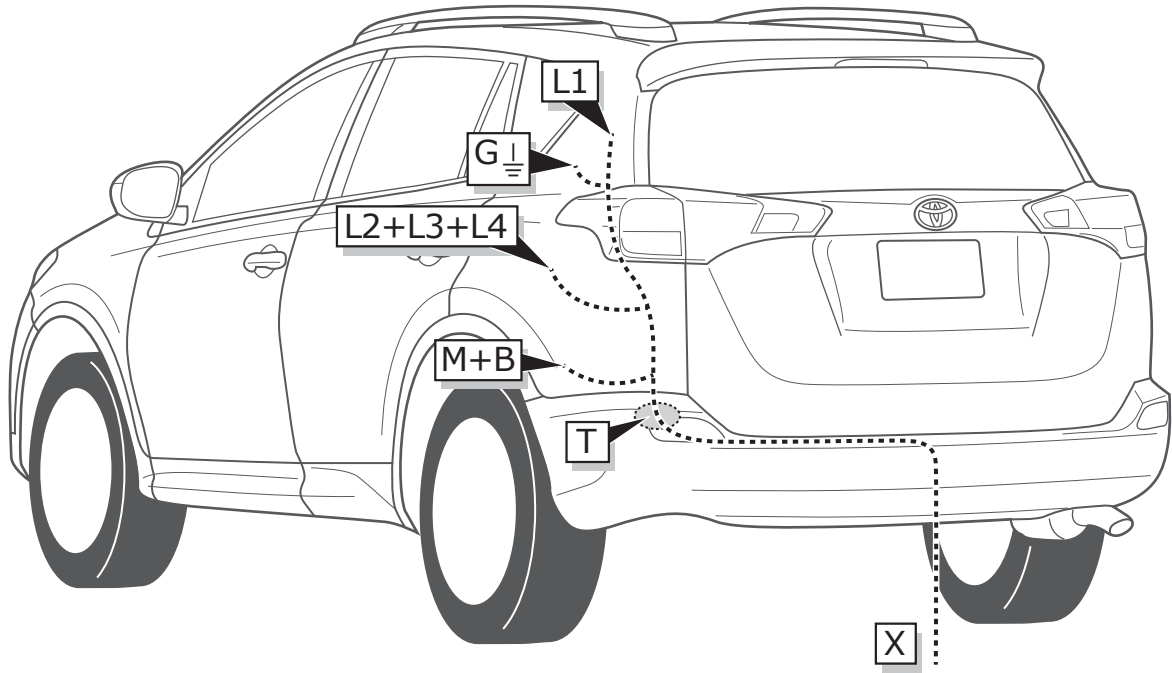
1x

15 Amp.  
LowProf mini

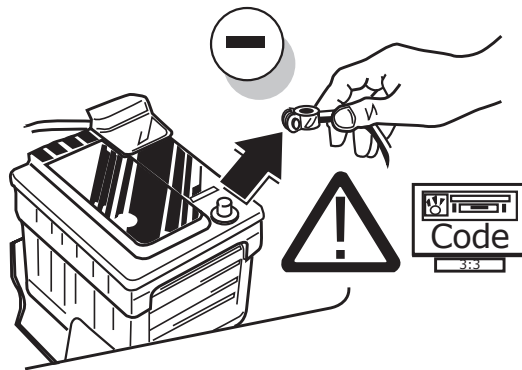


6x

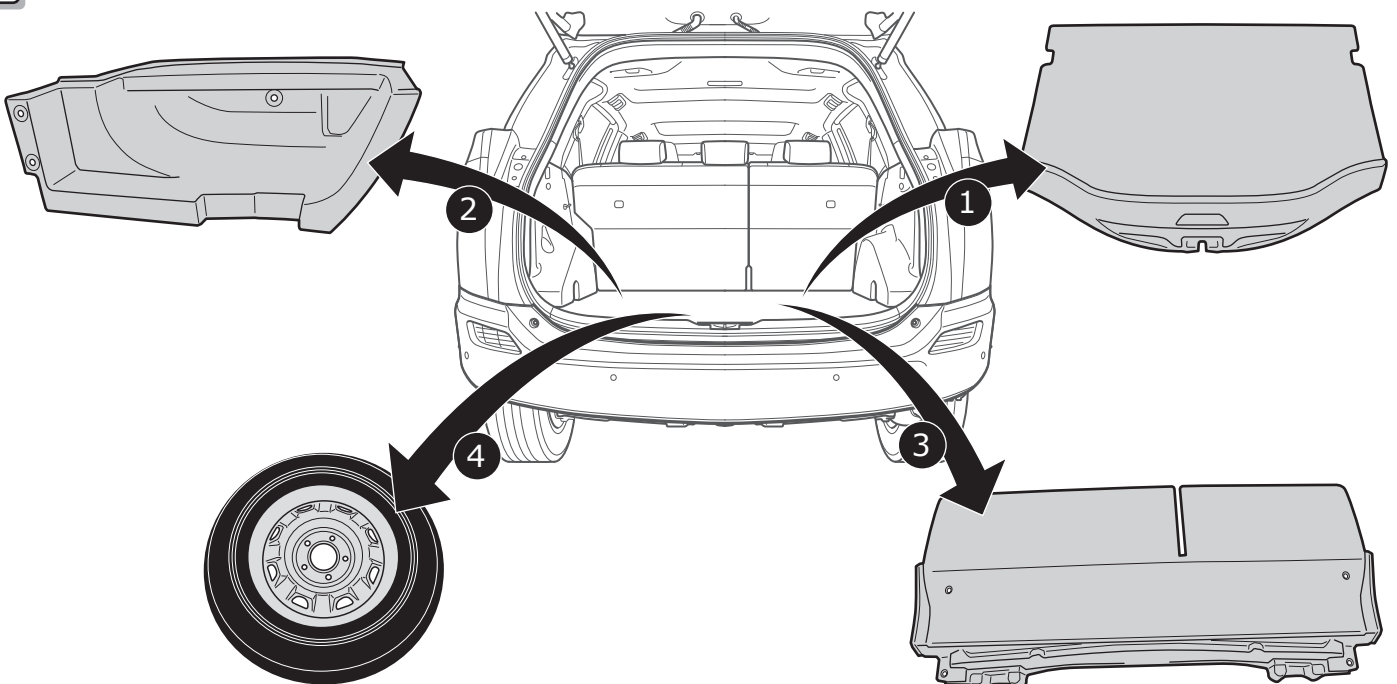
**ROUTING**



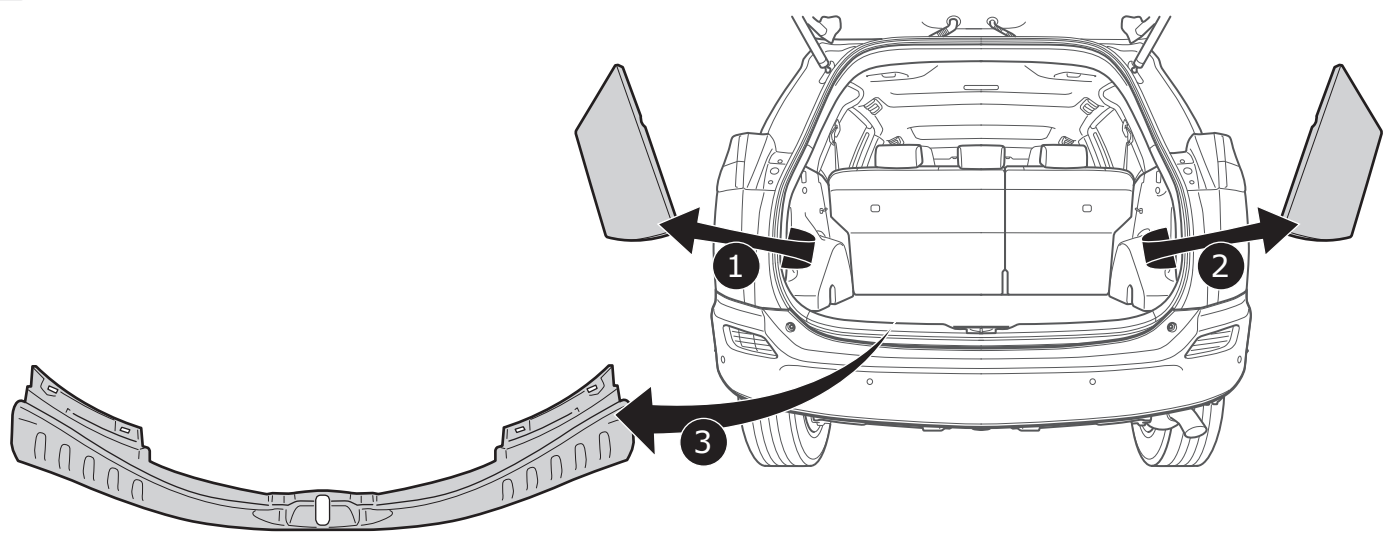
**1**



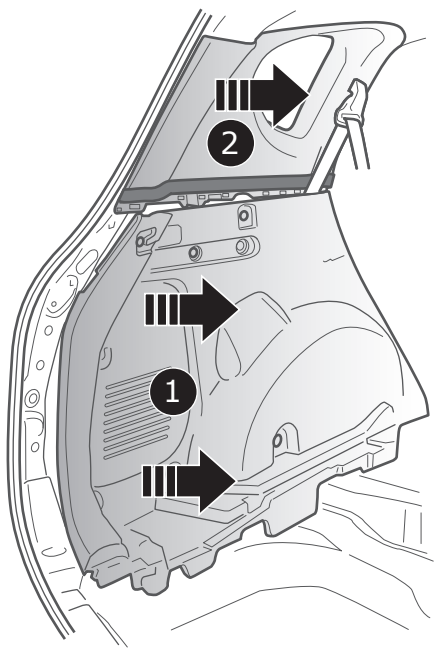
**2**



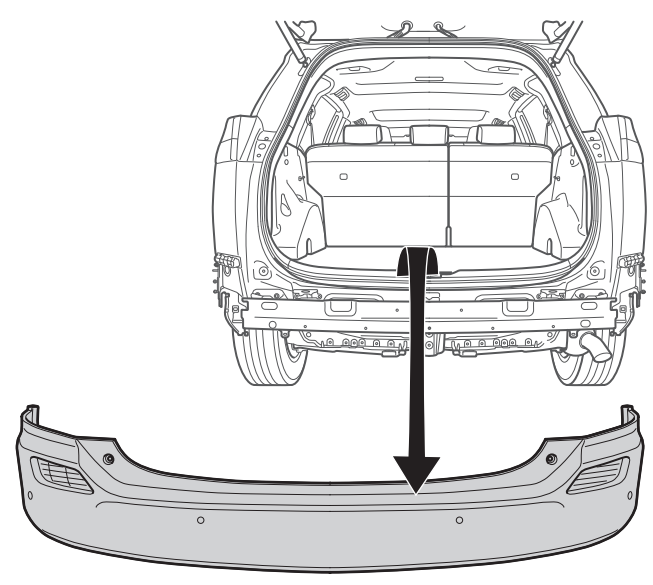
3



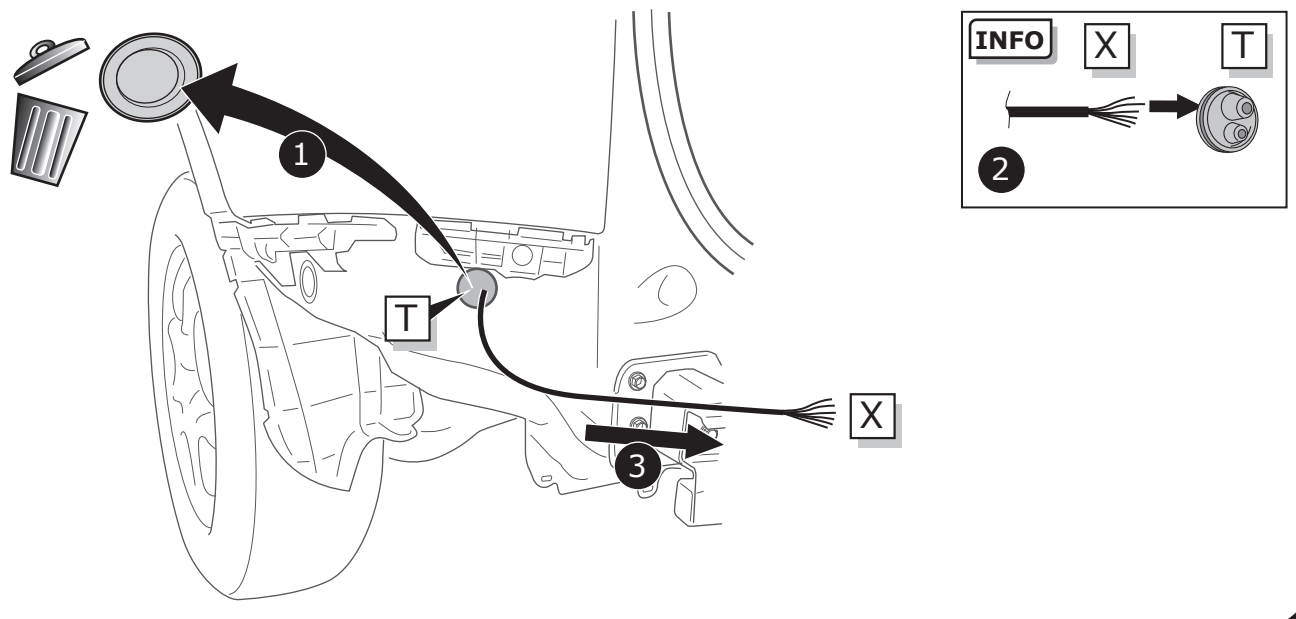
4

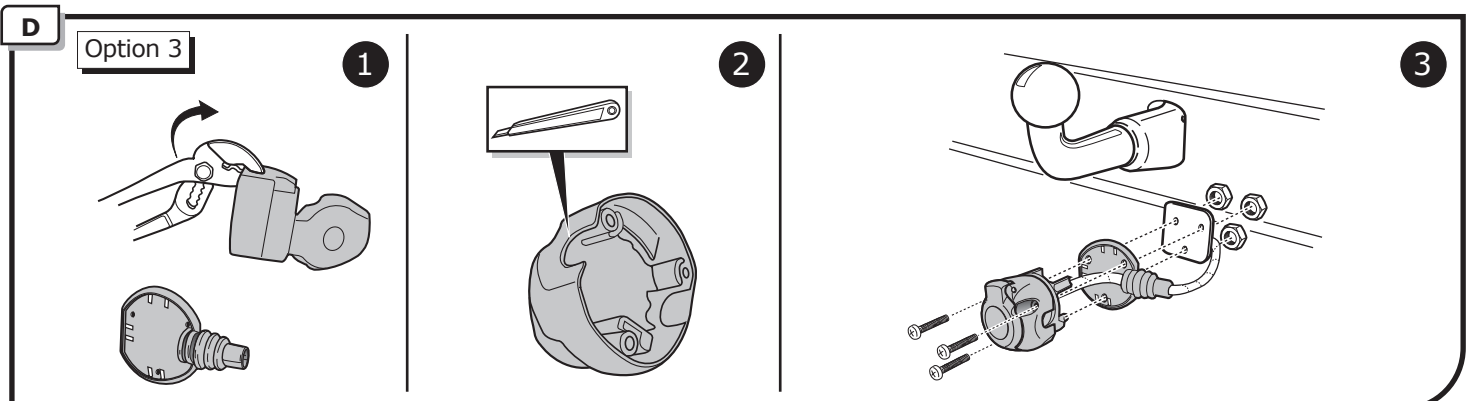
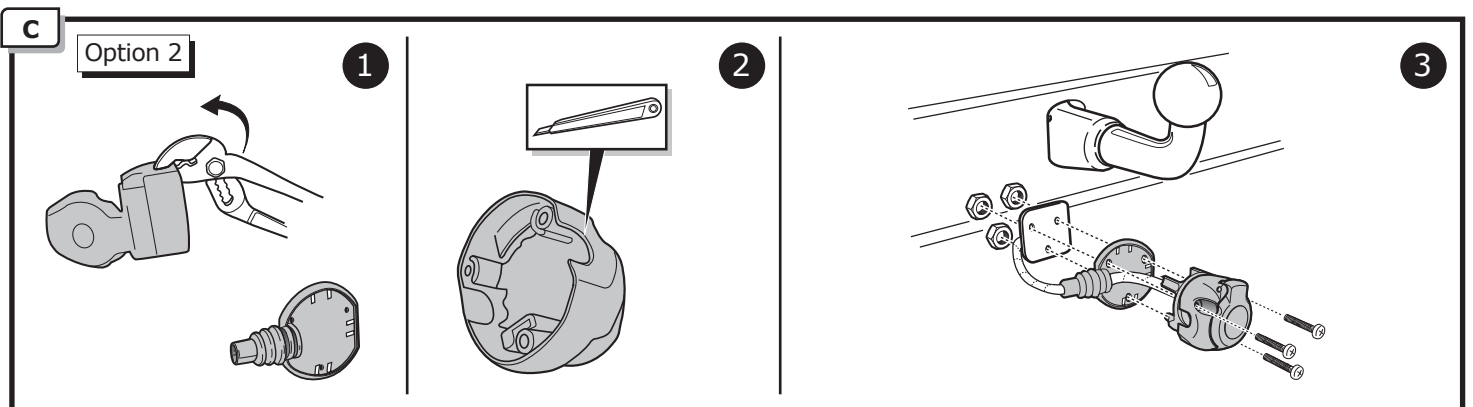
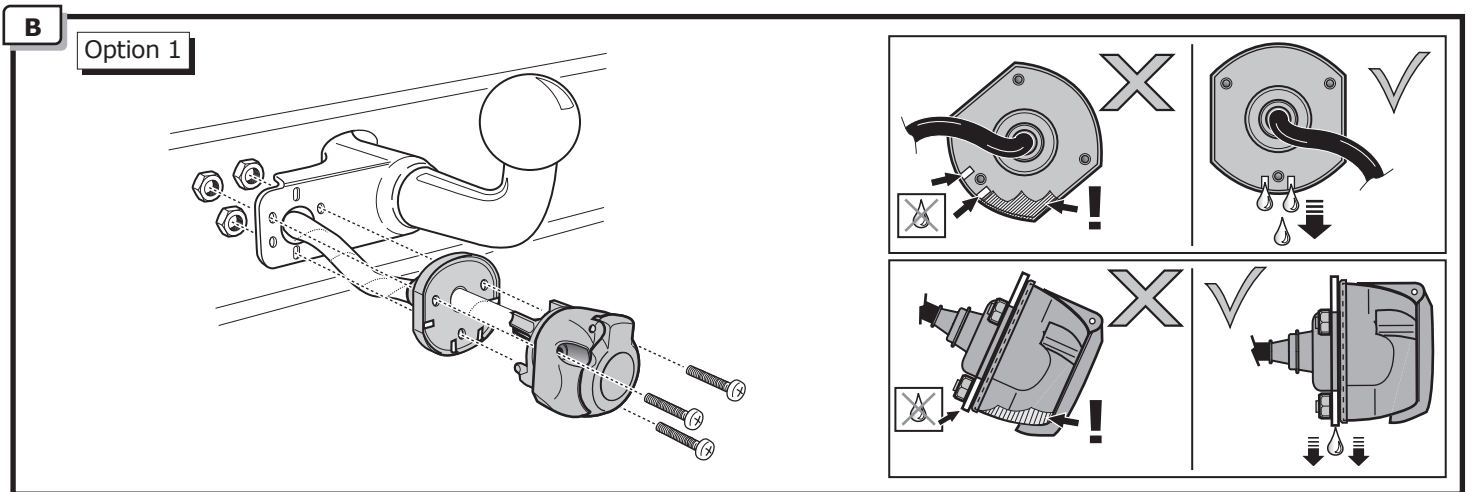
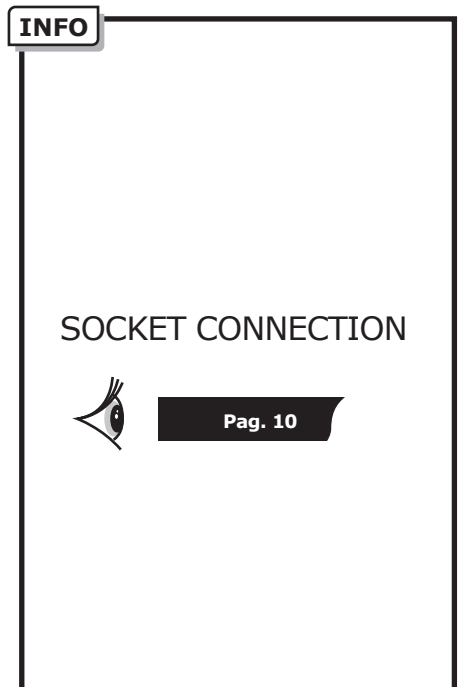
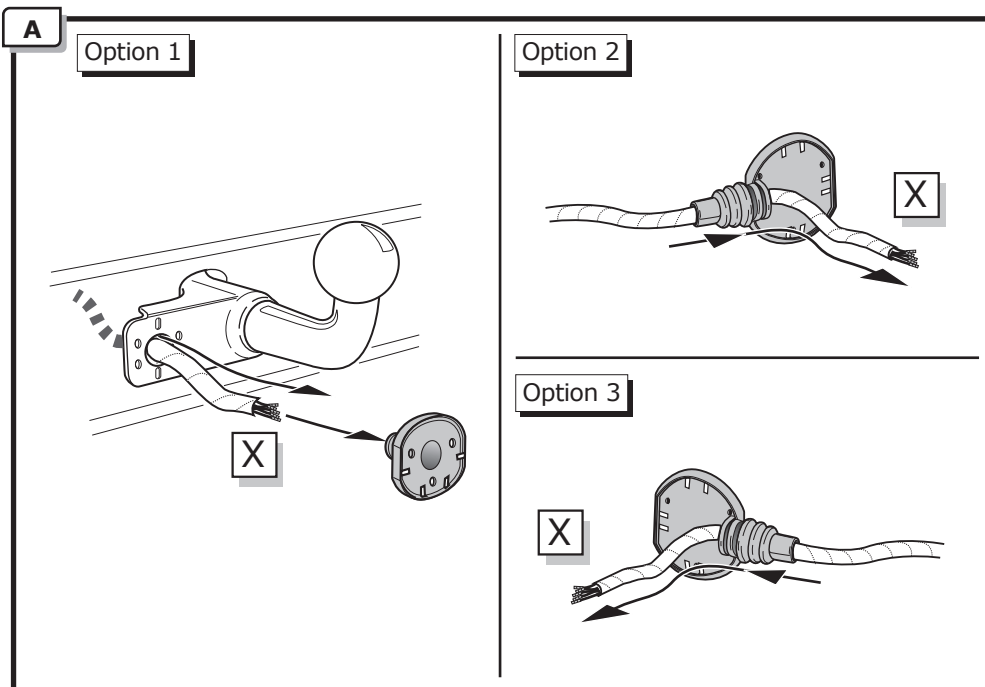


5

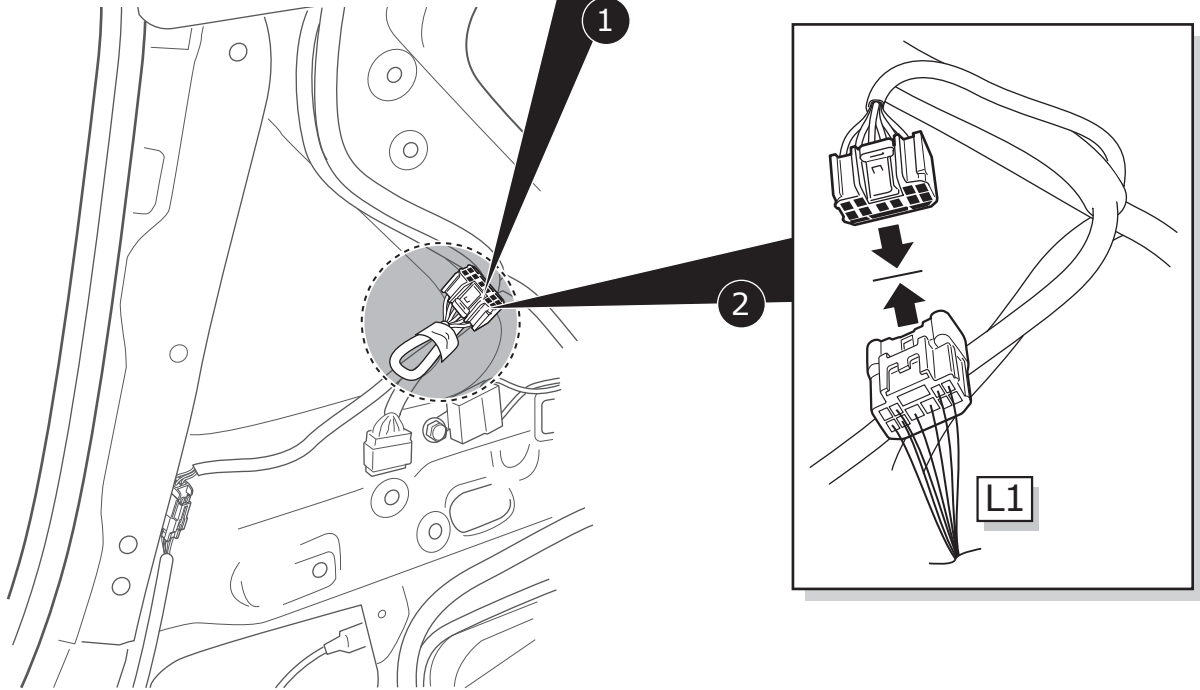
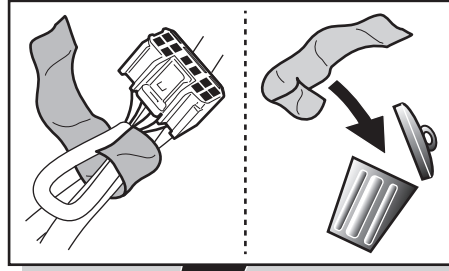
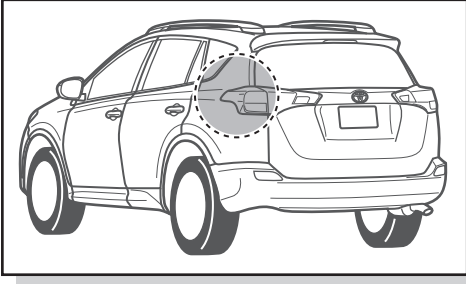


6

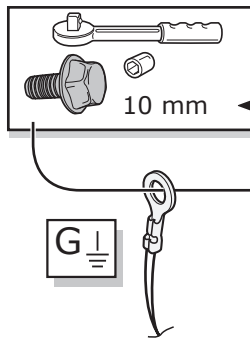
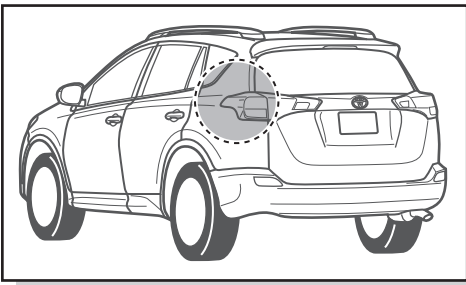




7

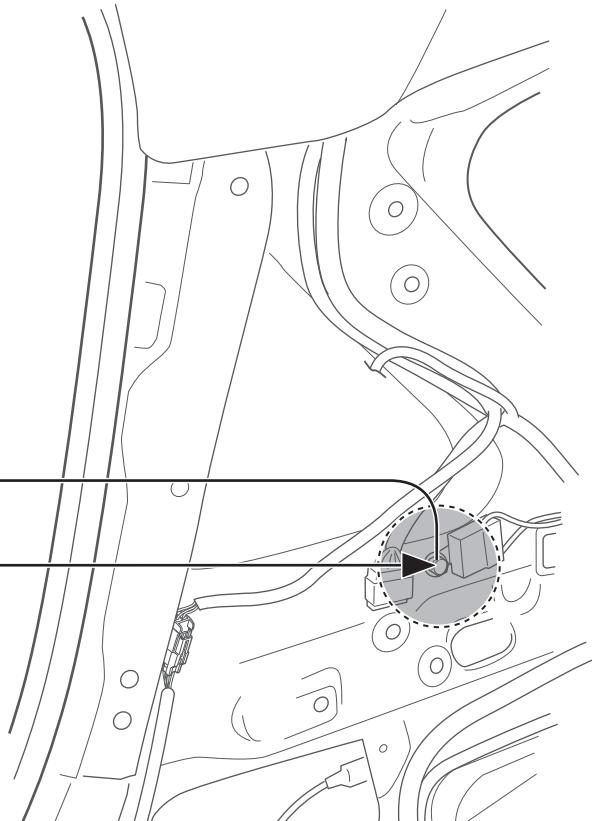


8

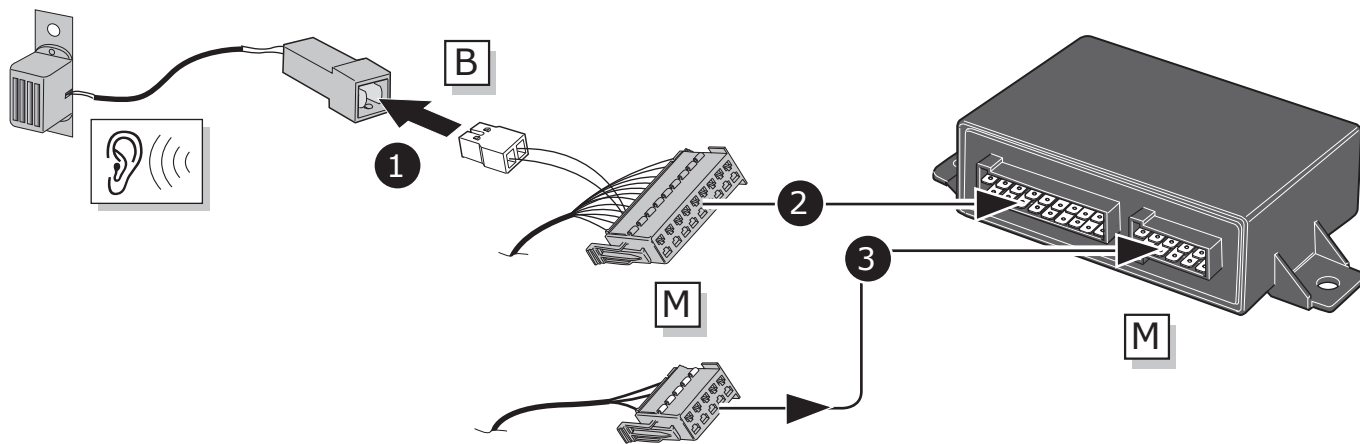


1

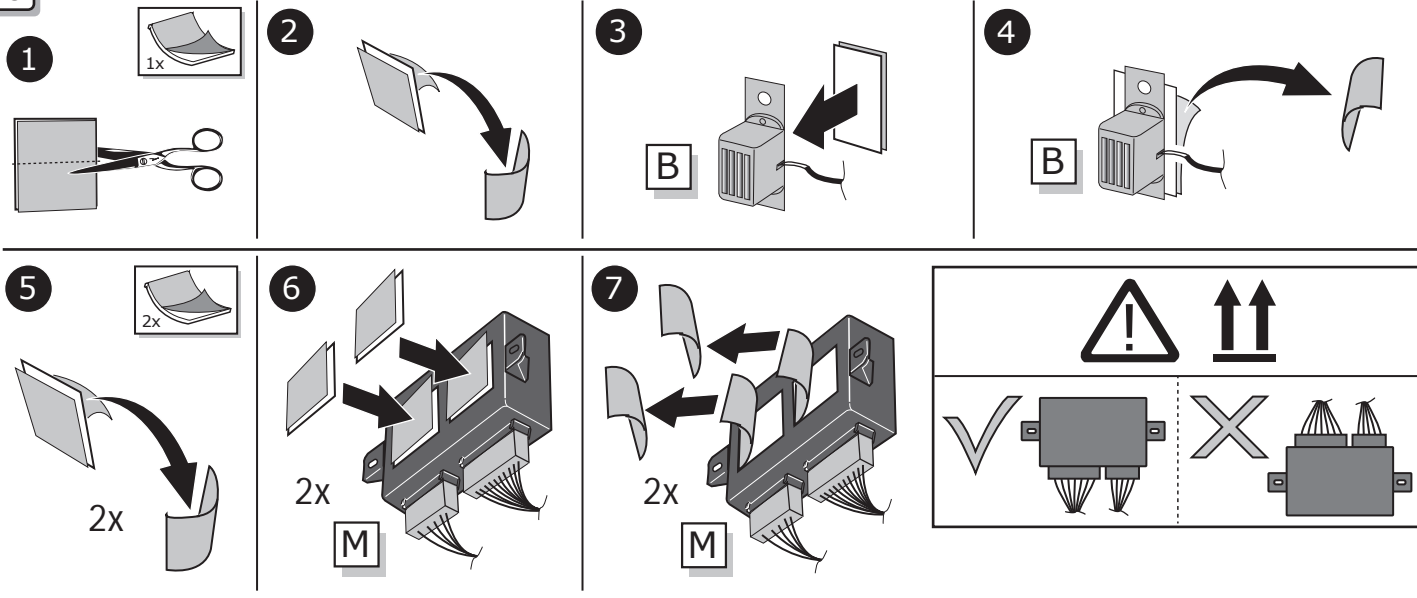
2



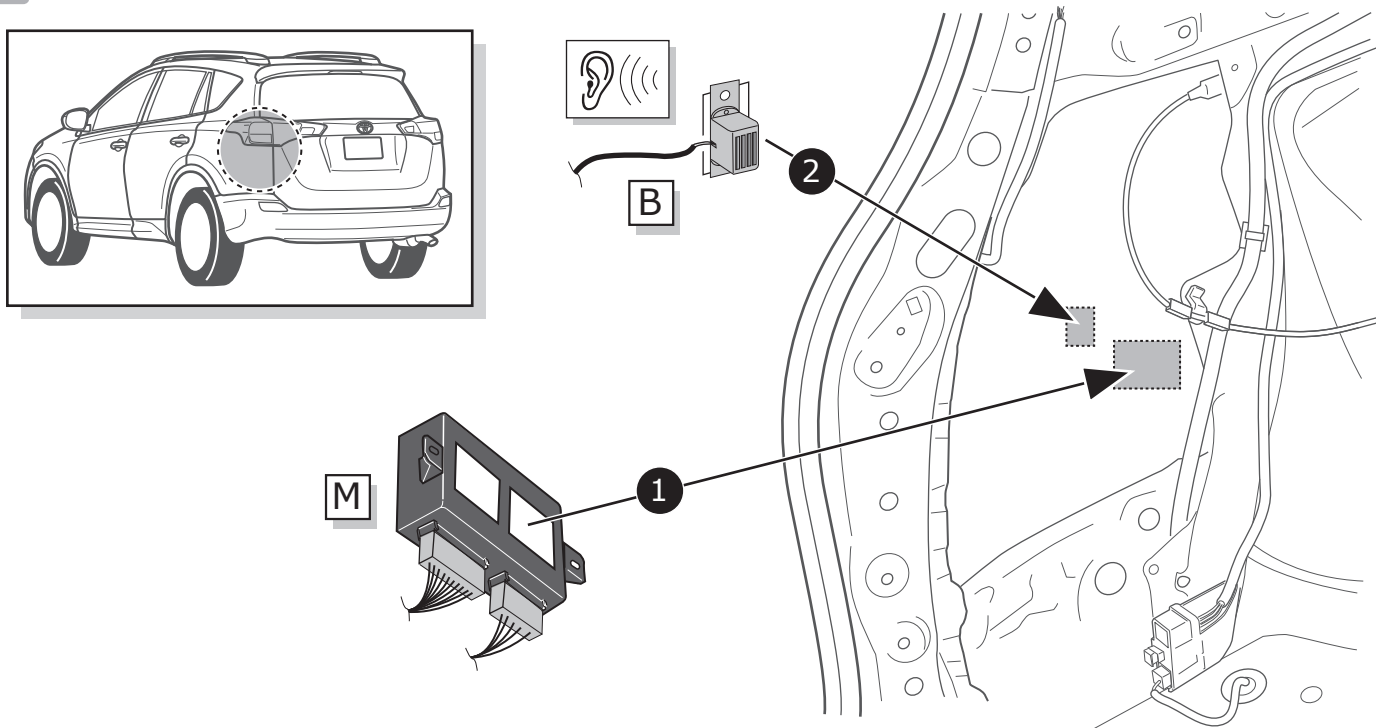
9

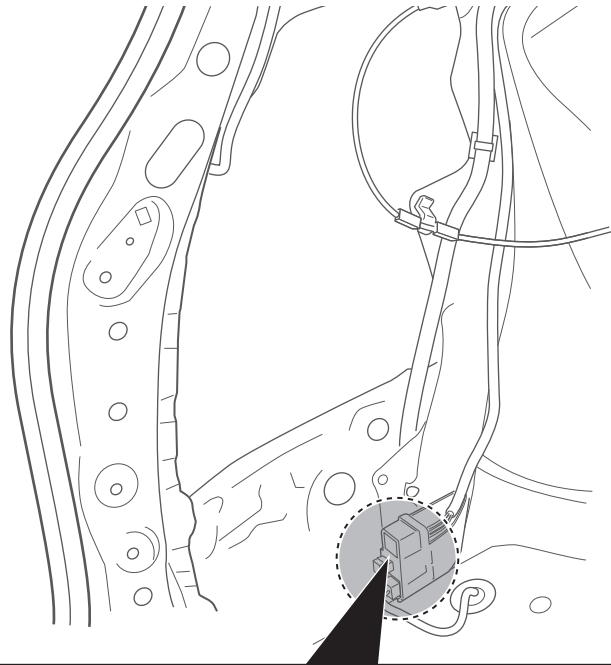
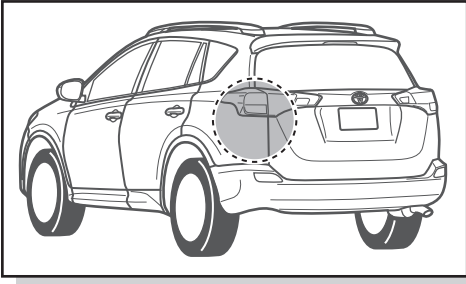


10



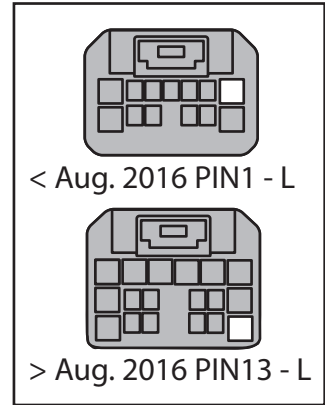
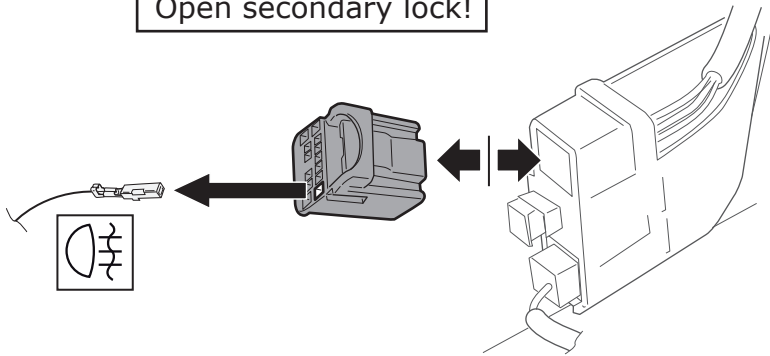
11





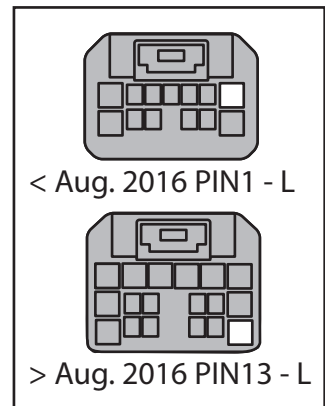
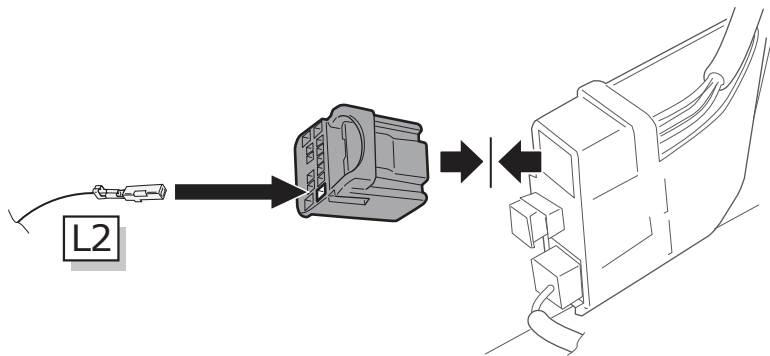
1

Open secondary lock!

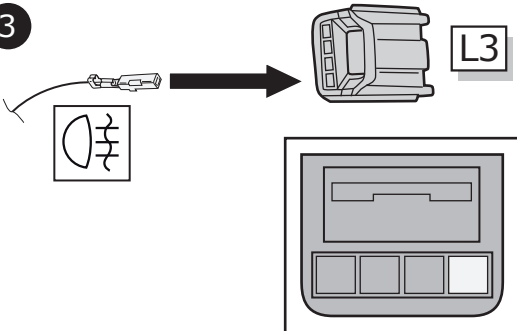


2

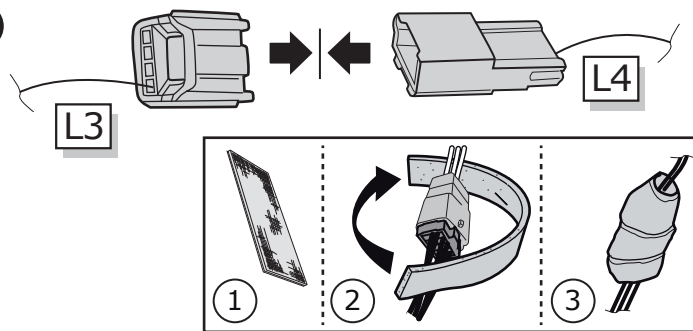
Close secondary lock!



3

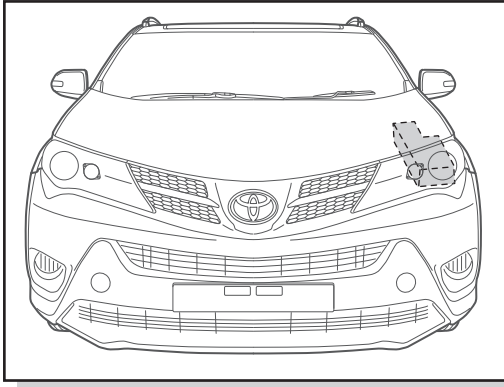


4

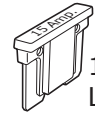
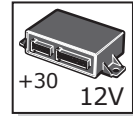




13

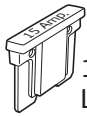
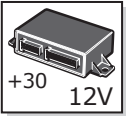


Option Hybrid: Towing

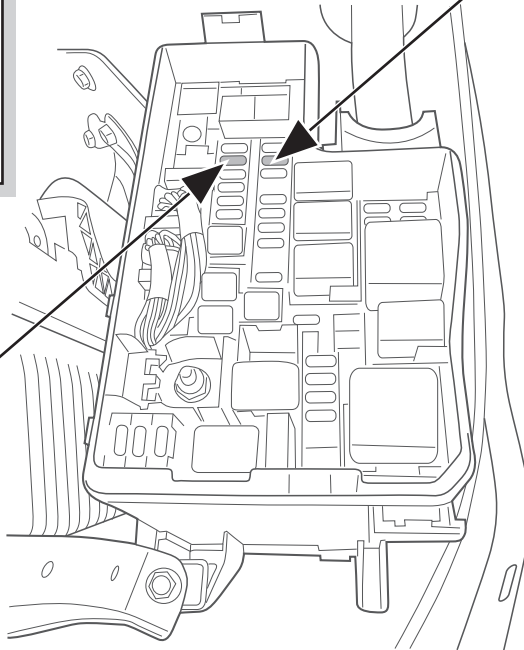


15 Amp.  
LowProf mini

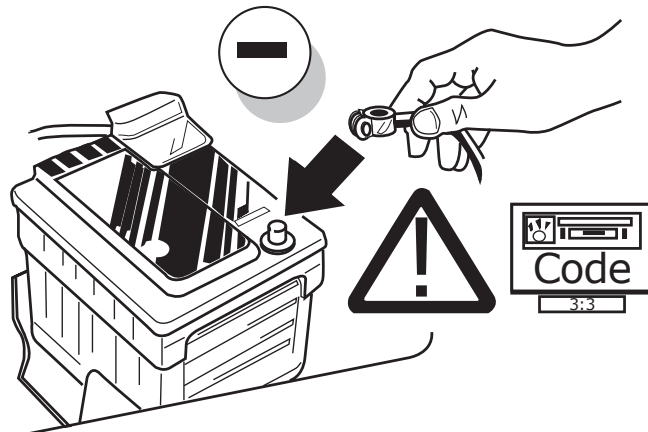
Option Towing-B



15 Amp.  
LowProf mini



14



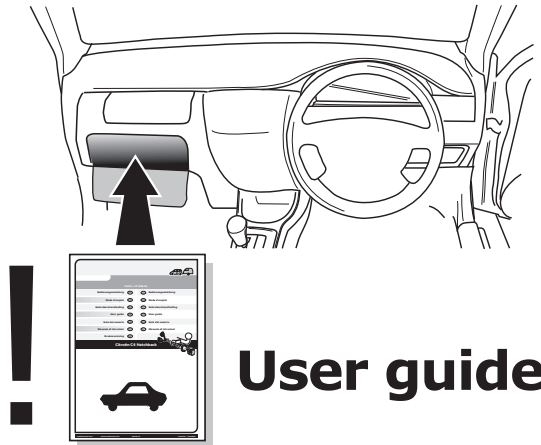
15

**!** TEST ALL THE CIRCUITS WITH A TEST DEVICE WITH THE CORRECT POWER LOAD FOR EACH FUNCTION. A TEST DEVICE WITH LED'S CANNOT BE USED FOR THIS PURPOSE.

**INFO**

REINSTALL TRIM.

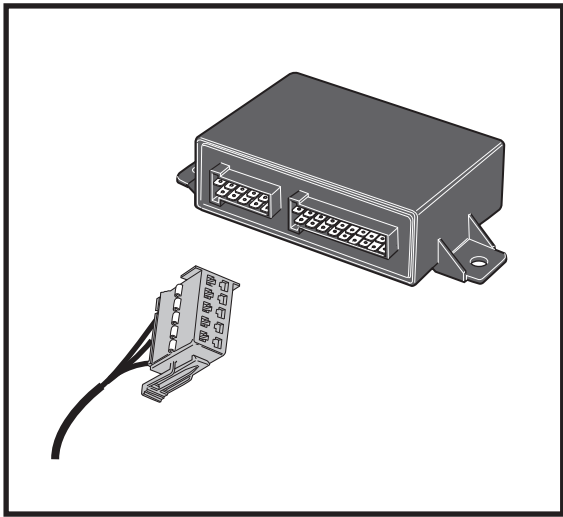
16



**INFO**

SOCKET CONNECTION

|              |        |       |       |       |        |       |        |
|--------------|--------|-------|-------|-------|--------|-------|--------|
| DIN/ISO 1724 |        |       |       |       |        |       |        |
|              | 1/L    | 2     | 3/31  | 4/R   | 5/58-R | 6/54  | 7/58-L |
| Pmax         | 21W    | 2x21W |       | 21W   | 52W    | 3x21W | 52W    |
| Colour       | Yellow | Blue  | White | Green | Brown  | Red   | Black  |



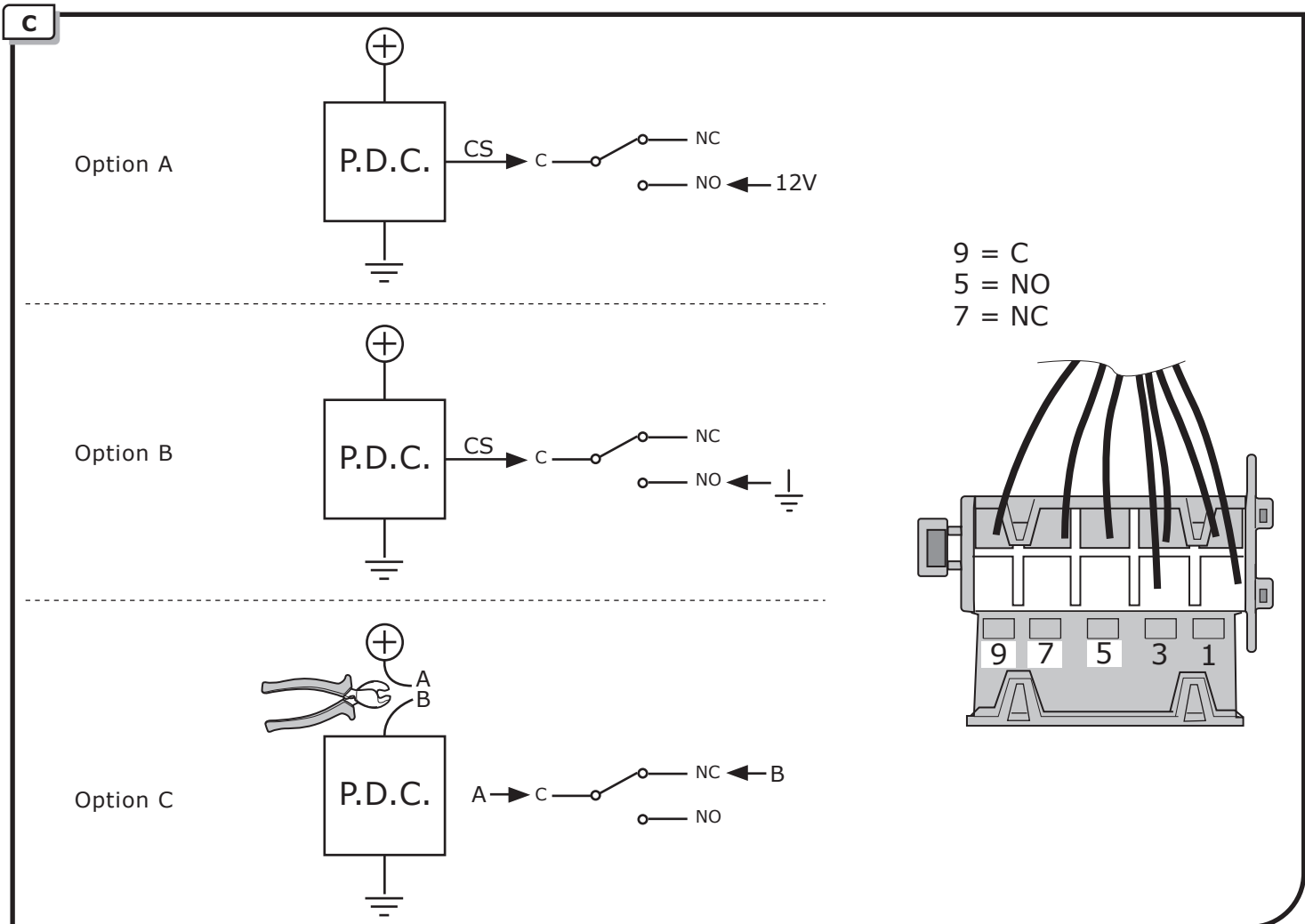
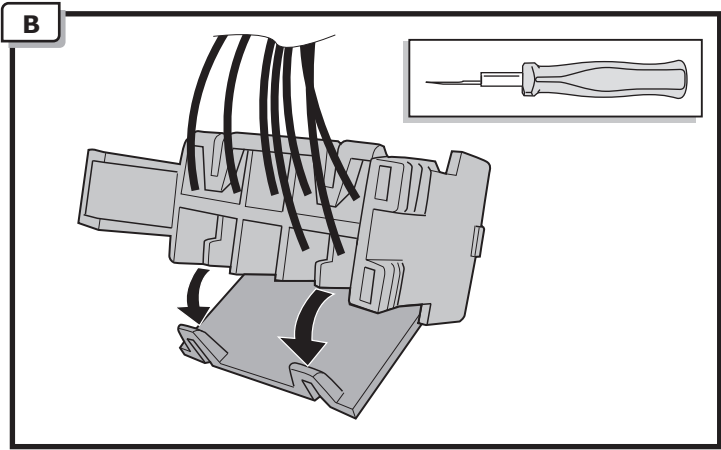
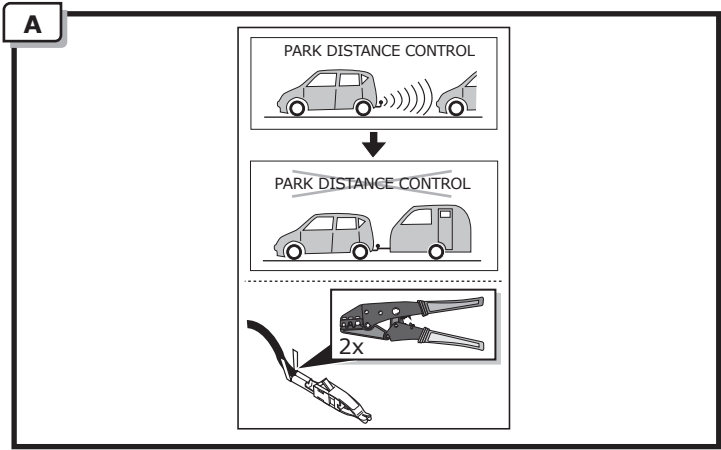
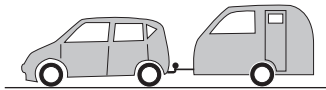
# Option



PARK DISTANCE CONTROL

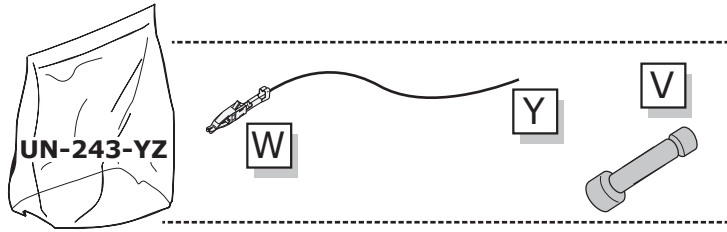


PARK DISTANCE CONTROL

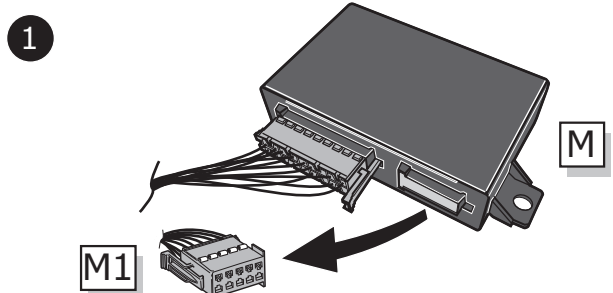
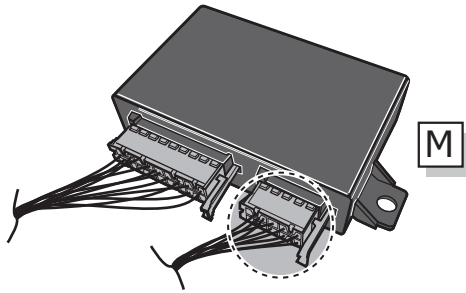


# UN-243-YZ Reverse lamp pre-wire extension

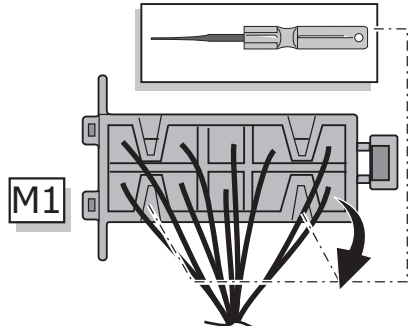
⚠ MAX = 21W



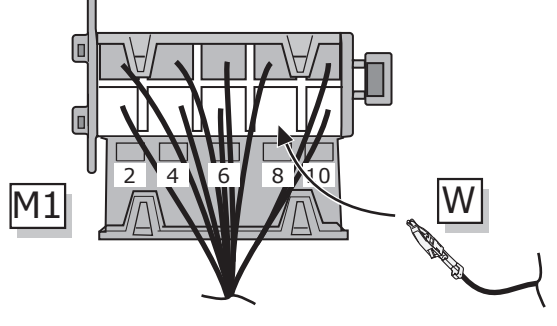
**A**



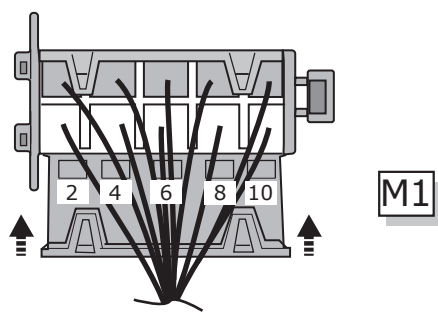
**2**



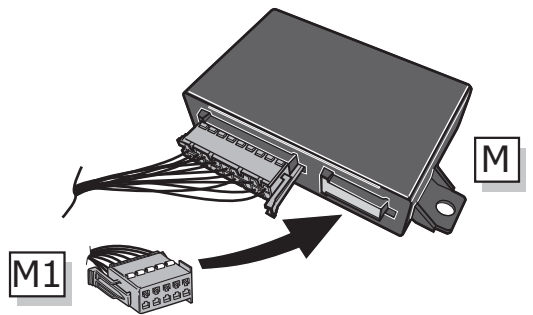
**3**



**4**



**5**



**B**

⚠ MAX = 21W

