



DS	
3	08/2018 >>
3 Cabriolet	08/2018 >>
3 Crossback	05/2019 >>
3 Crossback E-Tense	01/2020 >>
9 Saloon	05/2021 >>

VAUXHALL	
Crossland X	06/2017 >> 12/2020
Crossland	01/2021 >>
Combo (E) Life/Life XL	10/2018 >>
Combo (E) Cargo	10/2018 >>
Combo-e Cargo	12/2021 >>
Corsa-e	02/2020 >>
Corsa (F)	11/2019 >>
Mokka (B) / Mokka-e	03/2021 >>

ALFA ROMEO	
Junior	04/2024 >>

FIAT	
600e	09/2023 >>
Doblo	07/2022 >>
E-Doblo	07/2022 >>

PEUGEOT	
208 II	10/2019 >>
2008 II	01/2020 >>
e-208	11/2019 >>
e-2008	04/2020 >>
Rifter L1 / L2	10/2018 >>
Partner L1 / L2	11/2018 >>
e-Rifter	02/2022 >>
e-Partner	02/2022 >>

CITROEN	
C3 Aircross	10/2017 >> 09/2024
C4	01/2021 >>
C4	01/2025 >>
C4 X (C43)	10/2022 >>
C4 X	01/2025 >>
ë-C4	01/2021 >>
ë-C4	01/2025 >>
ë-C4 X (C43EV)	10/2022 >>
ë-C4 X	01/2025 >>
Berlingo M / XL	10/2018 >>
ë-Berlingo	12/2021 >>

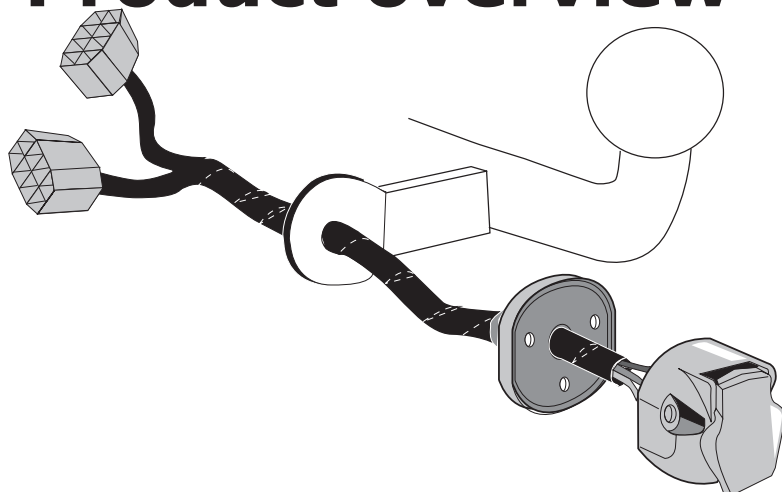
JEEP	
Avenger	01/2023 >>
Avenger 4xe	01/2025 >>

TOYOTA	
Proace City L1/L2	12/2019 >>
Proace City Verso L1/L2	12/2019 >>

Part No: VA-010-07MU

Electric wiring kit for towbars / 7-pin / 12N / 12 Volt / ISO 1724

Product overview



IMPORTANT!

This electric kit has to be installed by a professional workshop or a suitable qualified person.

The installation instructions must have been read and fully understood before the start of any installation. Please contact your wiring kit provider or the hotline shown in the footer should you need assistance!

Make sure the vehicle is approved/homologated by the manufacturer to tow a trailer!

Also please check that there is a definite compatibility between this vehicle and the electric kit!

Following the installation of the electric kit, the fitting instructions should be kept together with the vehicle service document and vehicle handbook. The fitting instructions contain important information relating to the use and function of the towing kit as well as for any diagnostic or activation process, that might have to be repeated in the future (e.g. after the performance of a vehicle software update).

All warranty claims will be forfeited if the electric kit or components contained therein are used incorrectly or modified. If a towing socket adaptor has been used to connect to the trailer or bike rack, this must be removed from the trailer socket once the trailer or bike rack has been disconnected.

If the trailer or bike rack is not equipped with a rear fog lamp, depending on the towing vehicle type, the correct function of the towing kit cannot be guaranteed. In such cases, a rear fog lamp should be retro fitted.

This towing electric kit will not be covered under warranty if any technical or electrical modifications or software updates have been performed by the vehicle manufacturer after the initial commissioning of the kit. That applies especially to modifications or updates which may cause malfunctions in the trailer socket or any other part of the trailer electrical equipment!

Depending on the type of trailer module used in this electric kit, diagnostic interrogation with the vehicle's electrical system may be limited or will not function. The error memory inside the trailer module may not be able to be accessed by vehicle manufacturers diagnostic system.

Error logs relating to the trailer electrical equipment, that may be generated in the vehicle manufacturers diagnostic system as a result of a test procedure, may be due to the incorrect installation of the towing electric kit or the false activation of the trailer module.

We always recommend whenever possible, the following troubleshooting process:

→ An analysis of the vehicle's error memory and possibly clearing of all faults before the start of the installation!

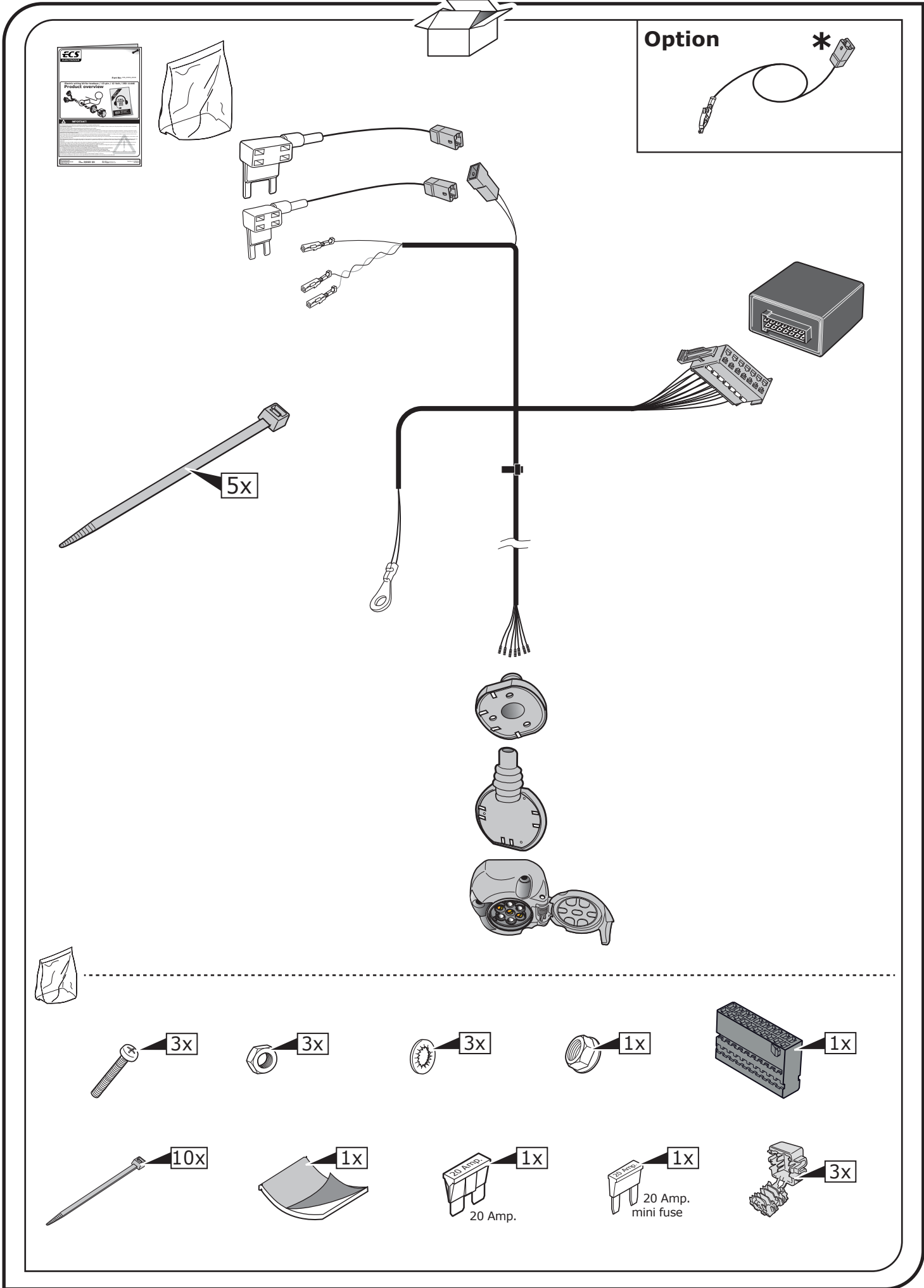
→ Try disconnecting the trailer module from the towing harness and re-start the fault clearing process!

→ If in doubt, limit the time for troubleshooting to a max of 0,5 hours and call our Technical Support Team!

Please follow our instructions carefully and always test the towing electronics using a true lighting board or a specifically designed bulb tester. If an LED tester is used, ensure it is equipped with correct load resistors or malfunctions will occur!

This instruction is subject to changes and we reserve the right to make changes to design, colour etc.

All of the data and illustrations may not be an exact representation but the text contained in this instructions must be observed!



Option

*

5x

3x

3x

3x

1x

1x

10x

1x

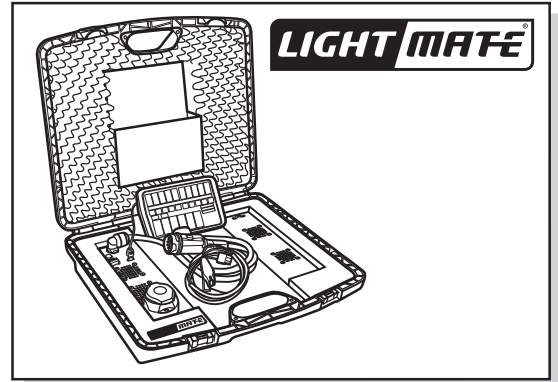
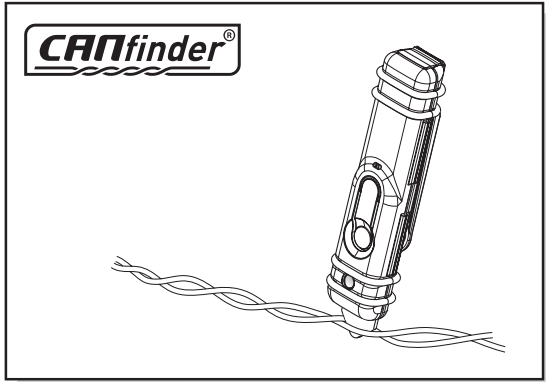
1x

1x

3x

20 Amp.

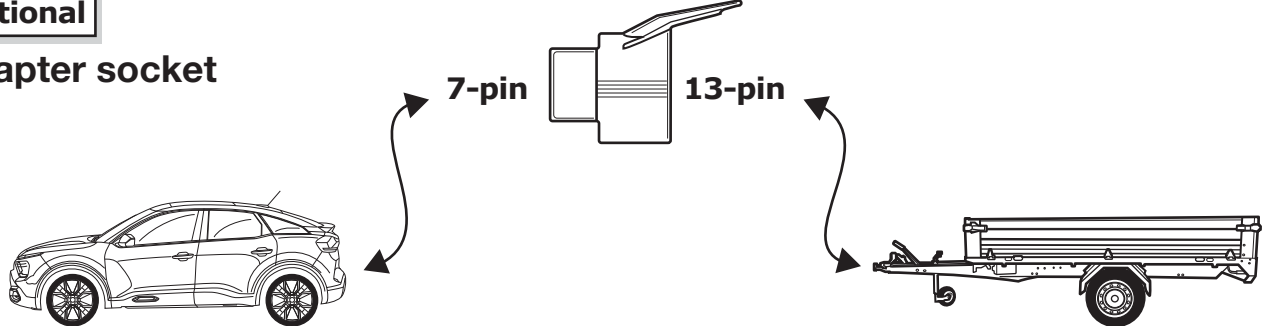
20 Amp.
mini fuse



1

Optional

Adapter socket



2



Fitting Instructions

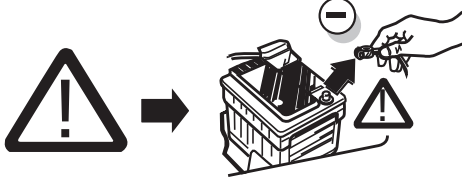


Download
from



<https://www.ecs-electronicsuk.co.uk/en/va1007mu.html#manualinfo>

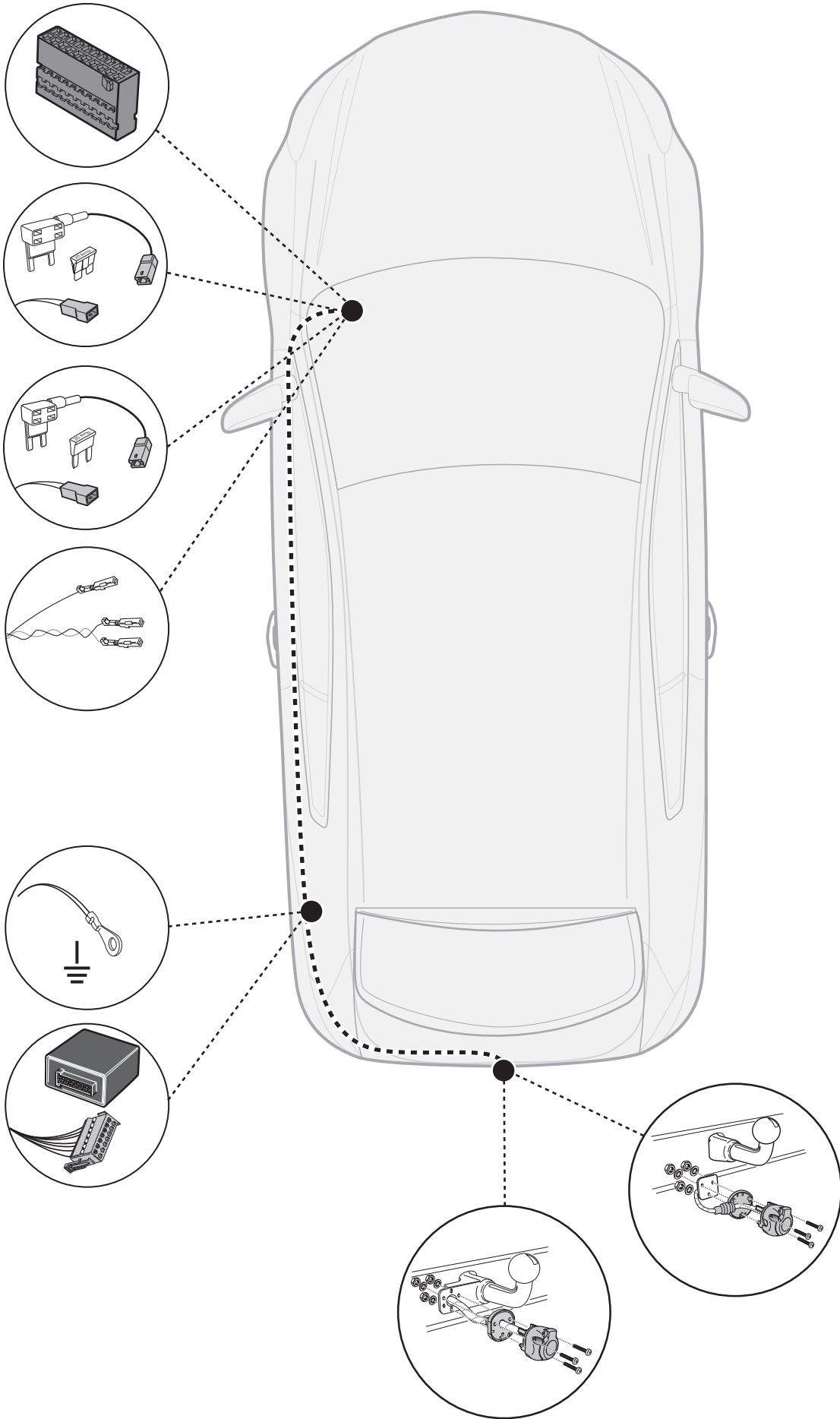
3



Note: It may be necessary to check if this vehicle has a stored radio code before disconnecting the battery!



4



5