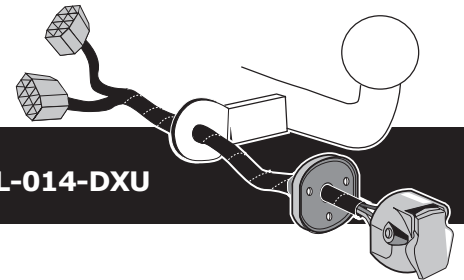


Volvo V50 04/04- & 07/10-
Volvo S40 03/04- & 06/10-
Volvo C30 09/06-

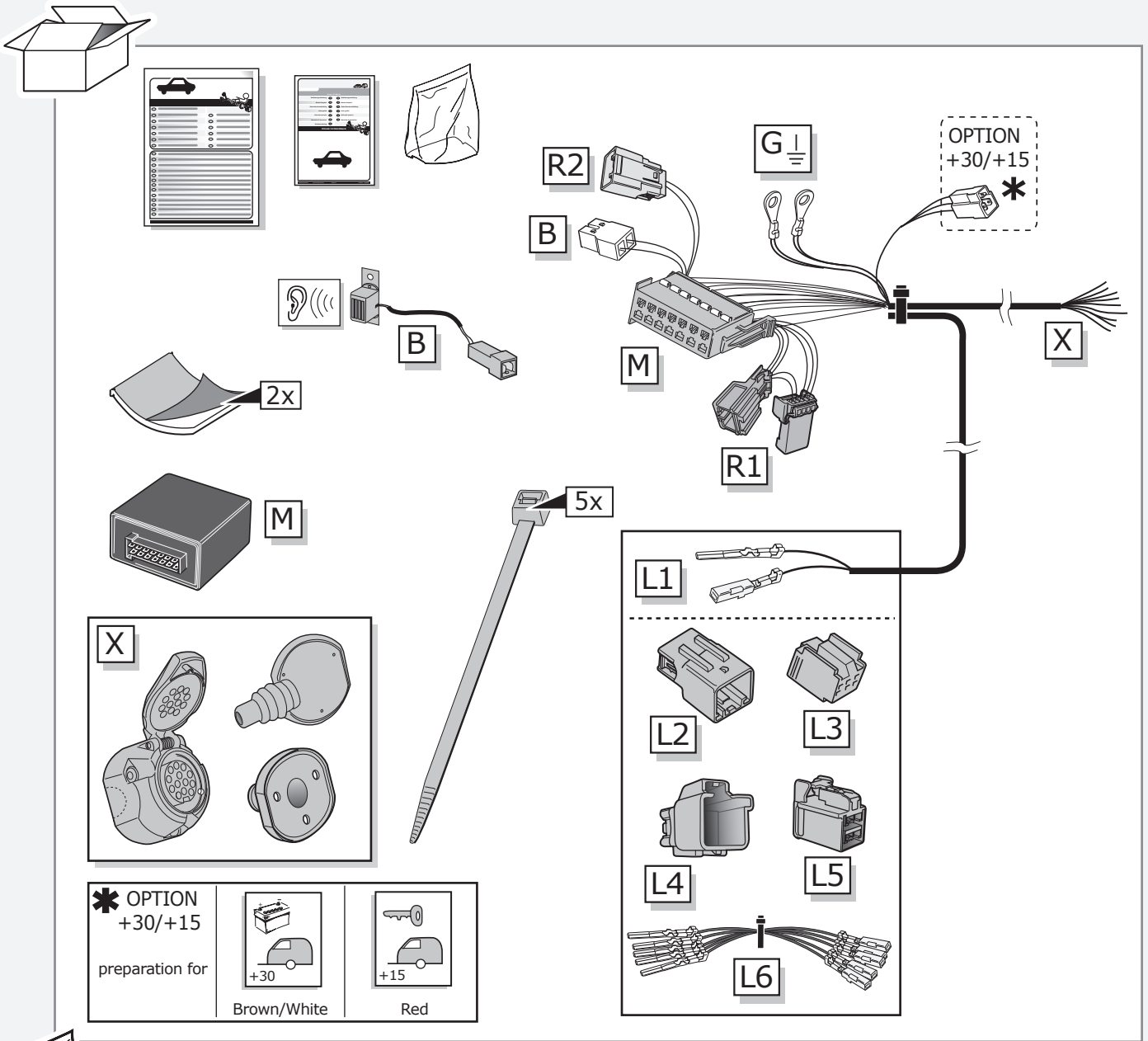


Partnr.: VL-014-DXU

- Fitting instructions electric wiring kit tow bar with 13-P socket up to DIN/ISO Norm 11446.
- We would expressly point out that assembly not carried out properly by a competent installer will result in cancellation of any right to damage compensation, in particular those arising by virtue of the product liability act.
- Contents of these kits and their fitting manuals are subject to alteration without notice, please ensure that these instructions are read and fully understood before commencing installation.
- Do not overload circuits; the maximum loads per connection are detailed in this manual.
- Attention! Before Installation, please read this manual carefully and inform your customer to consult the vehicle owners manual to check for any vehicle modifications required before towing.
- In the event of functional problems, troubleshooting must be limited to about 0.5 hours, contact the technical support:
t.skinner@ecs-electronics.com / 07440 202 052.

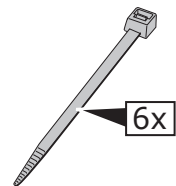
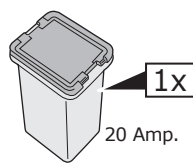
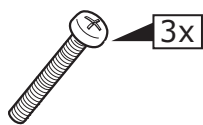


Part list

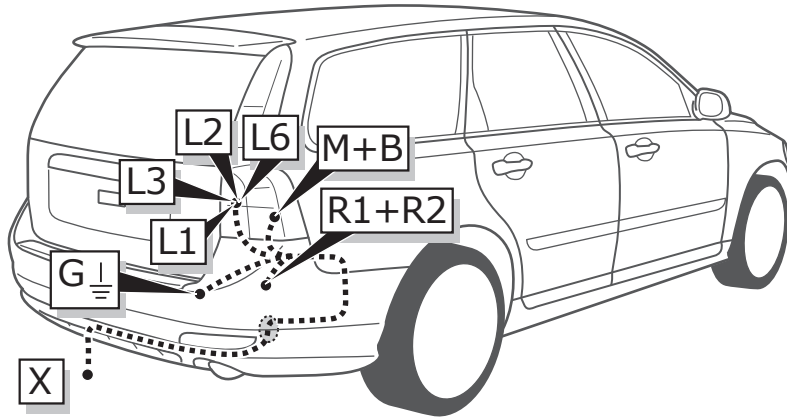


*** OPTION +30/+15**
preparation for

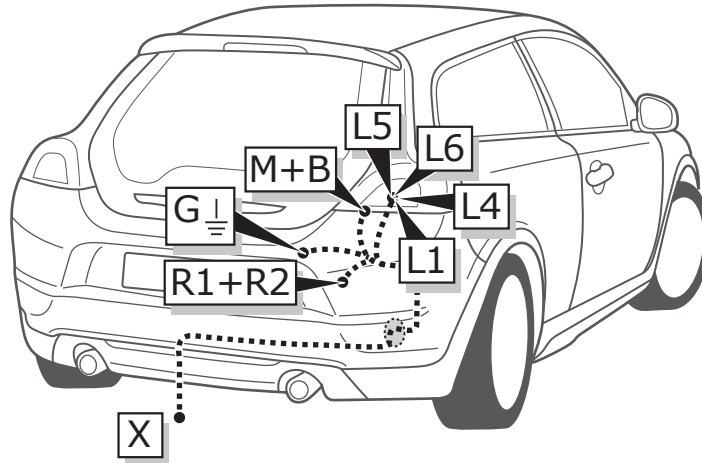
Brown/White	Red



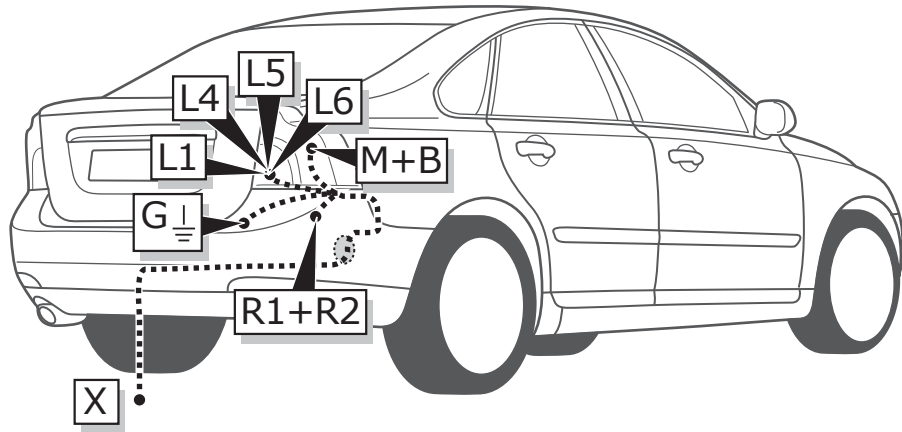
Volvo V50



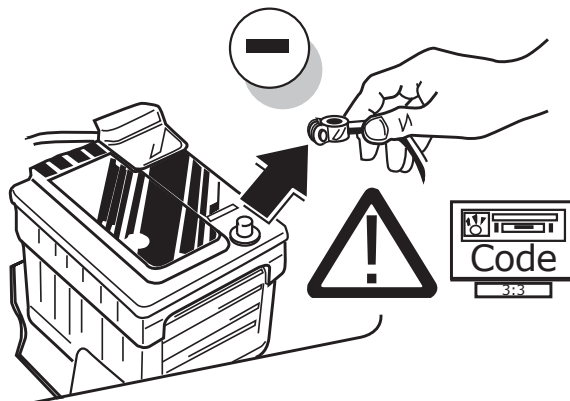
Volvo C30



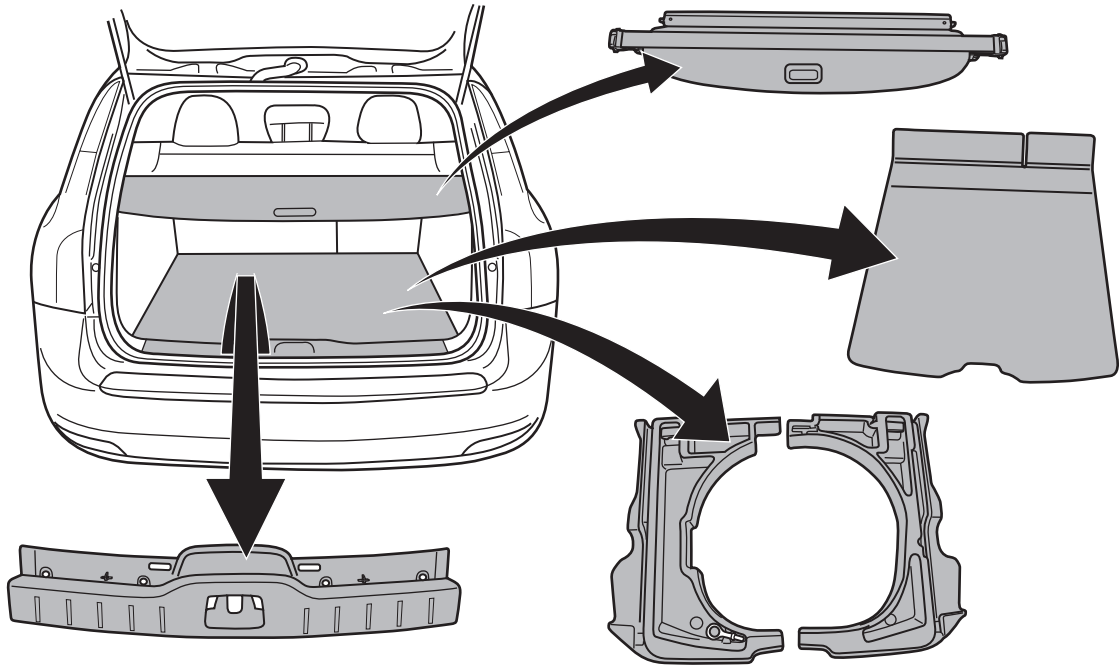
Volvo S40



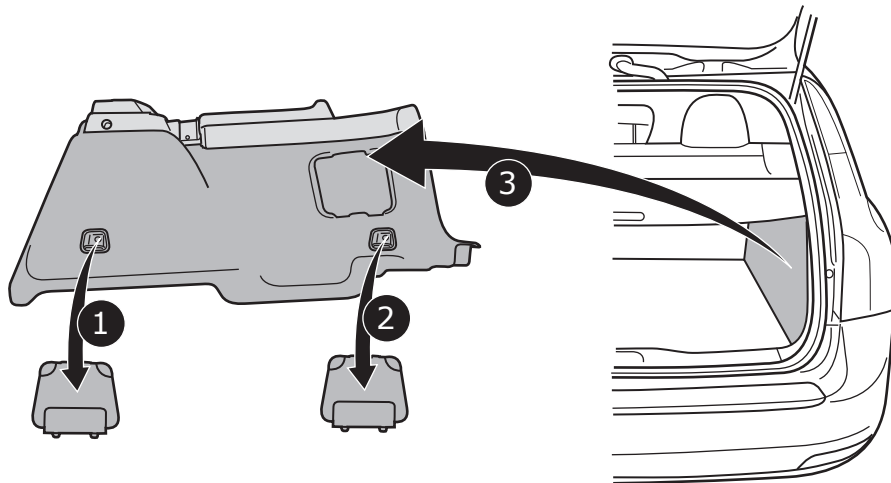
1



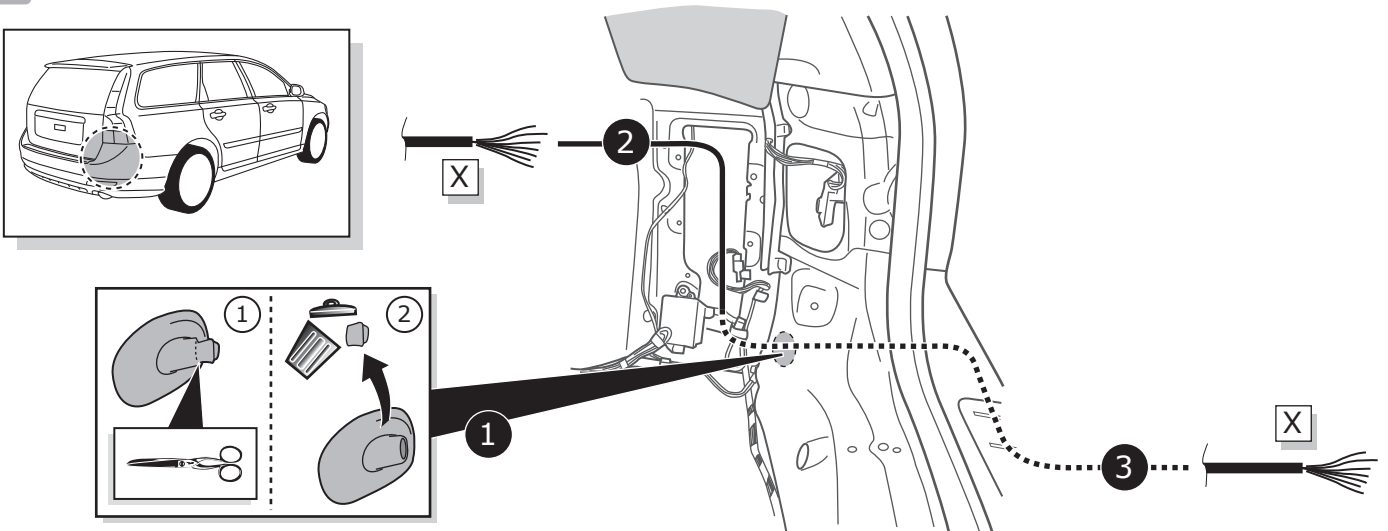
2



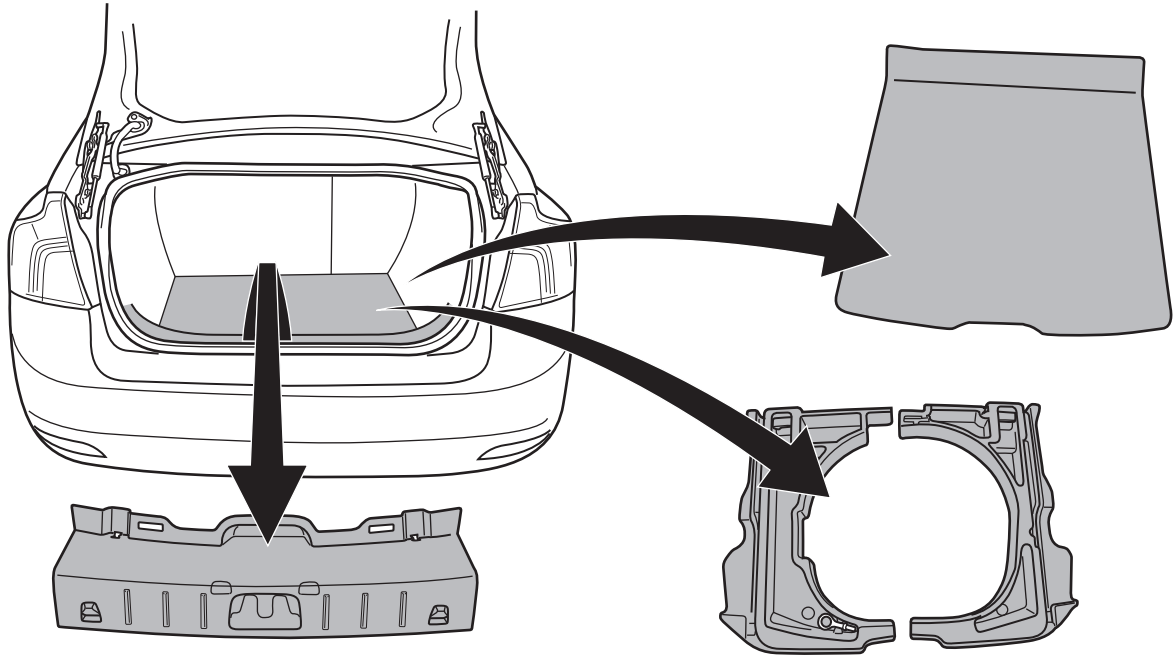
3



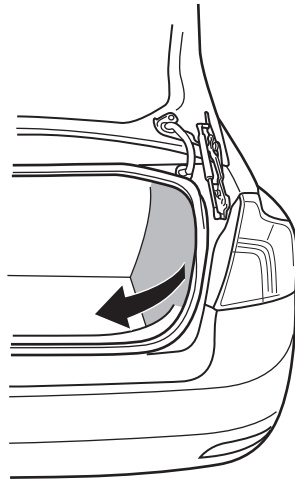
4



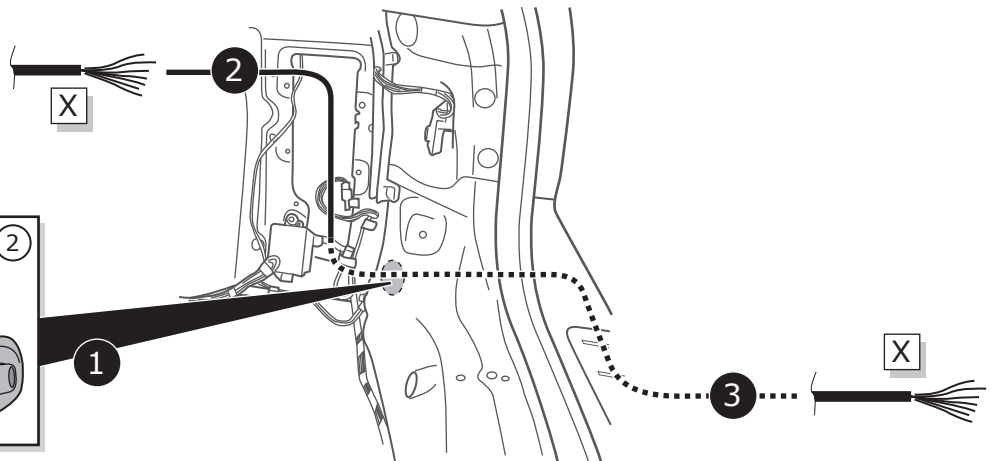
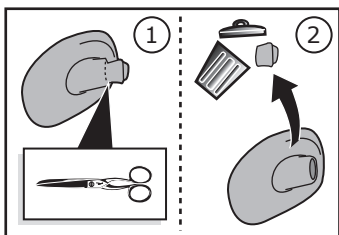
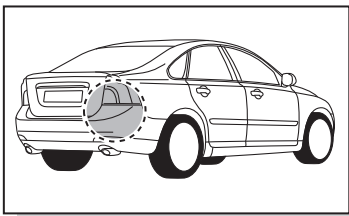
5



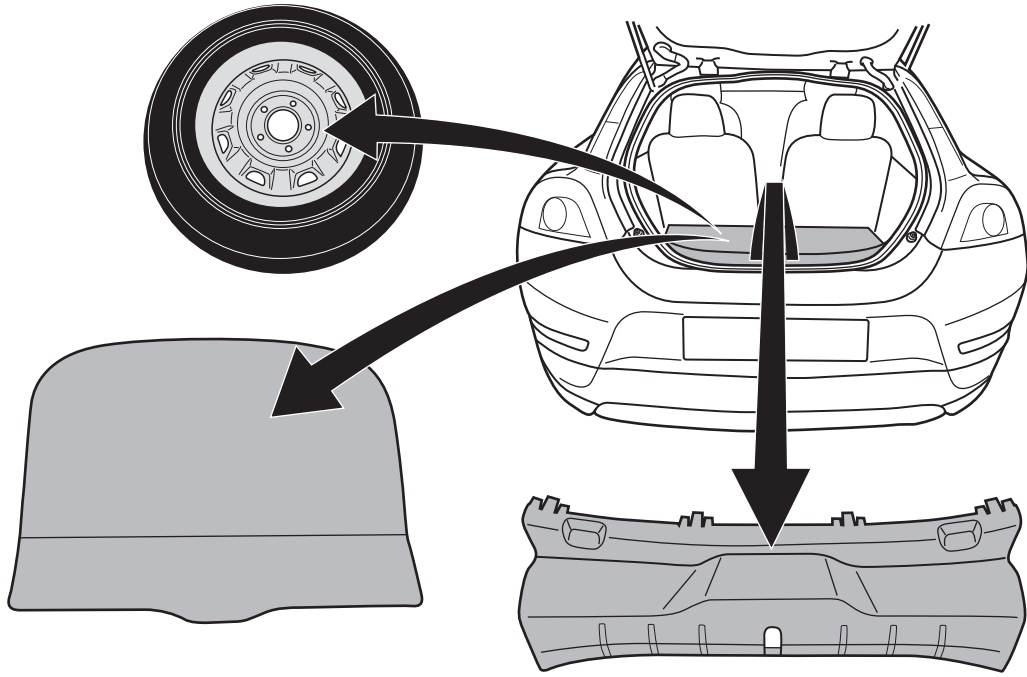
6



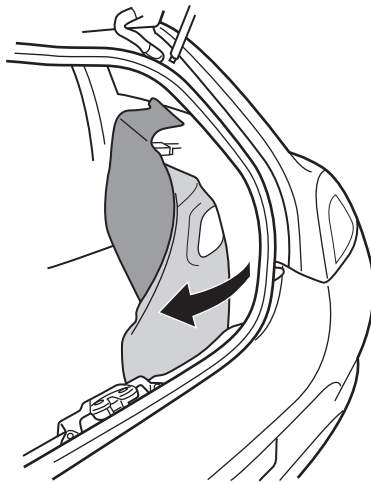
7



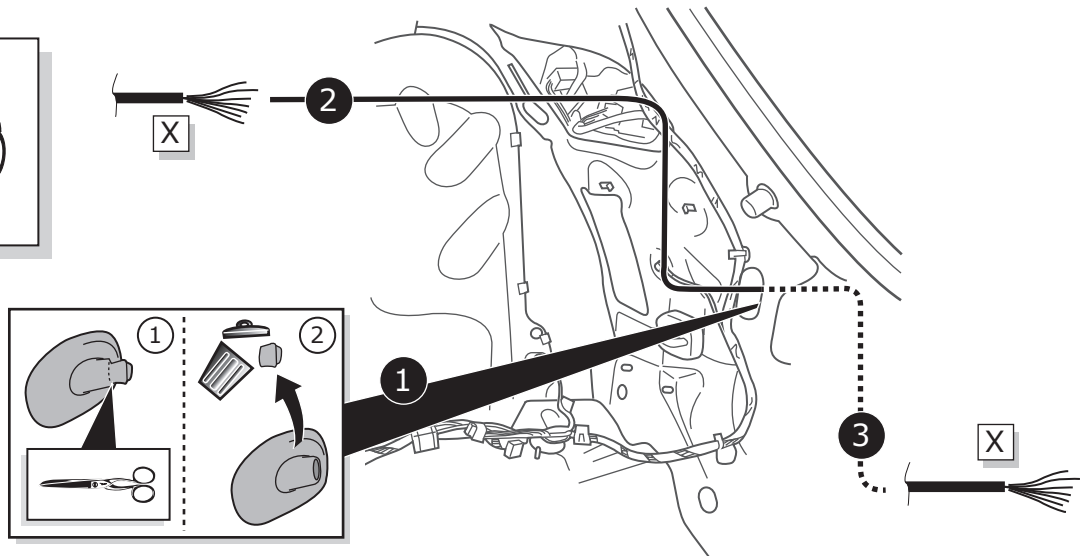
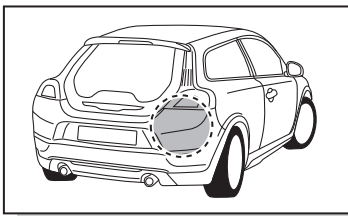
8



9

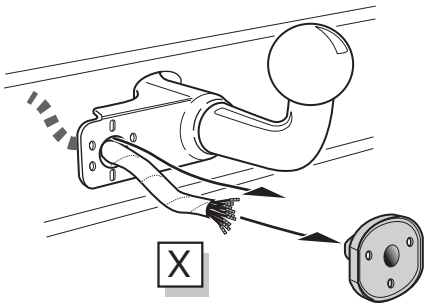


10

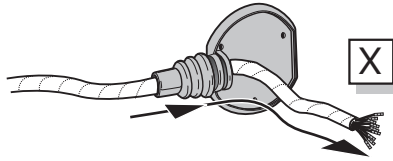


A

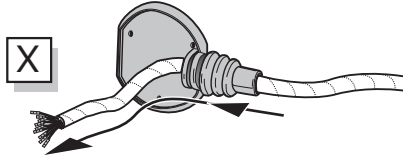
Option 1



Option 2



Option 3



INFO

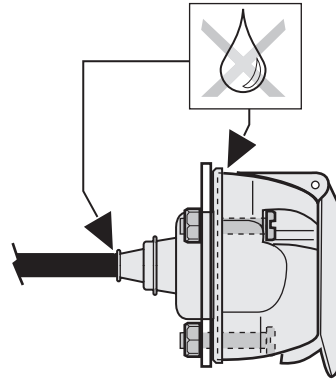
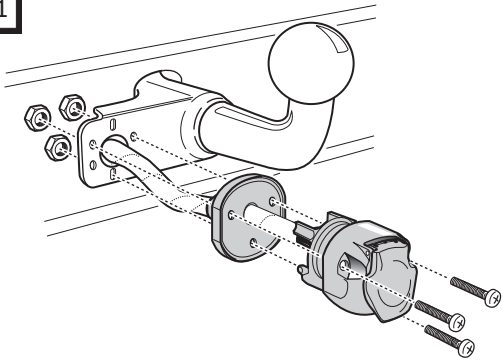
SOCKET CONNECTION



Pag. 18

B

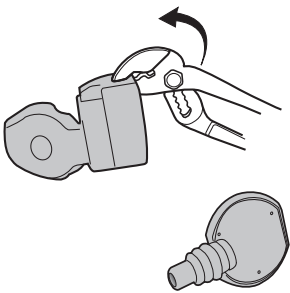
Option 1



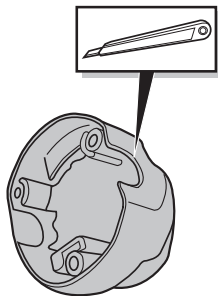
C

Option 2

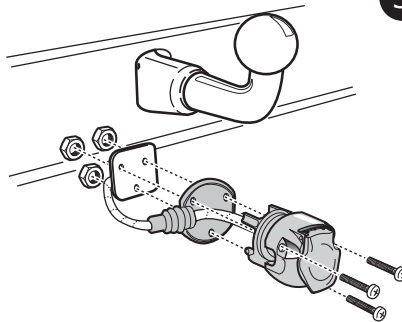
1



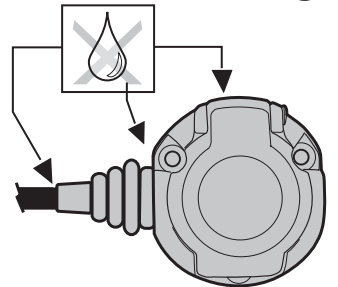
2



3



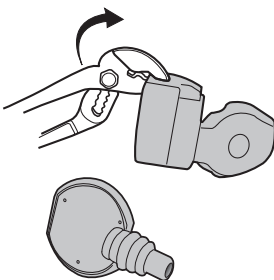
4



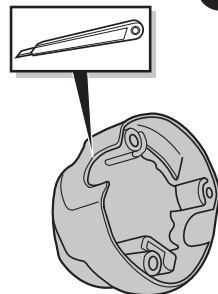
D

Option 3

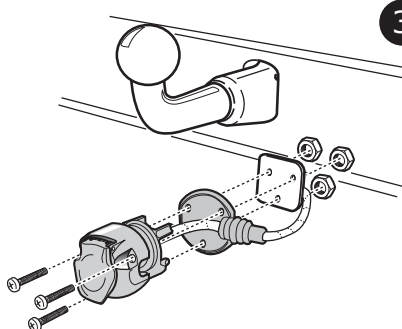
1



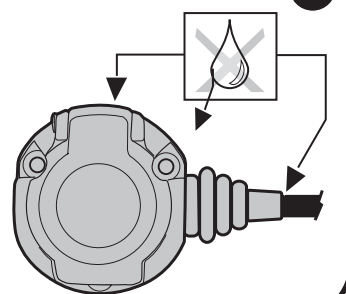
2



3

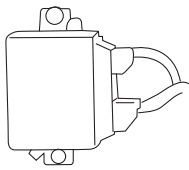


4

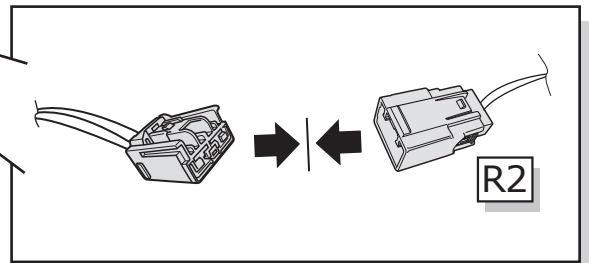
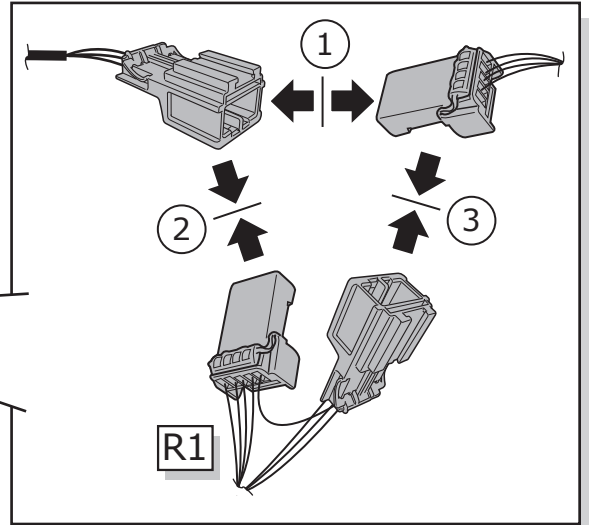
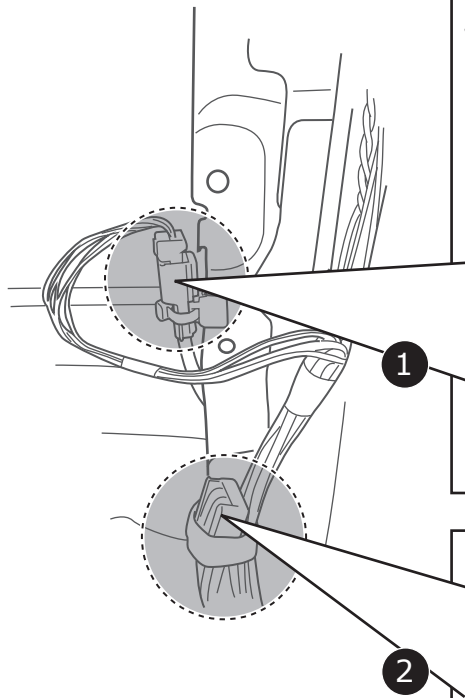
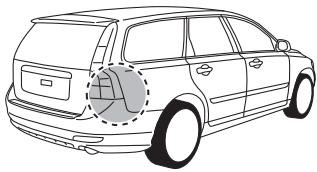
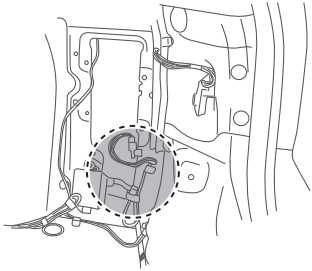


11

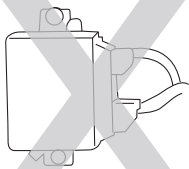
Option 1



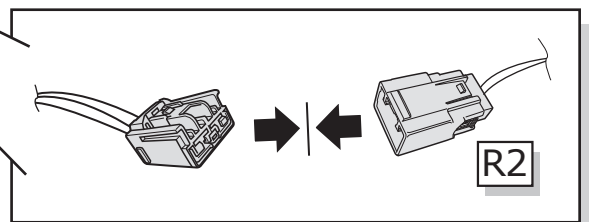
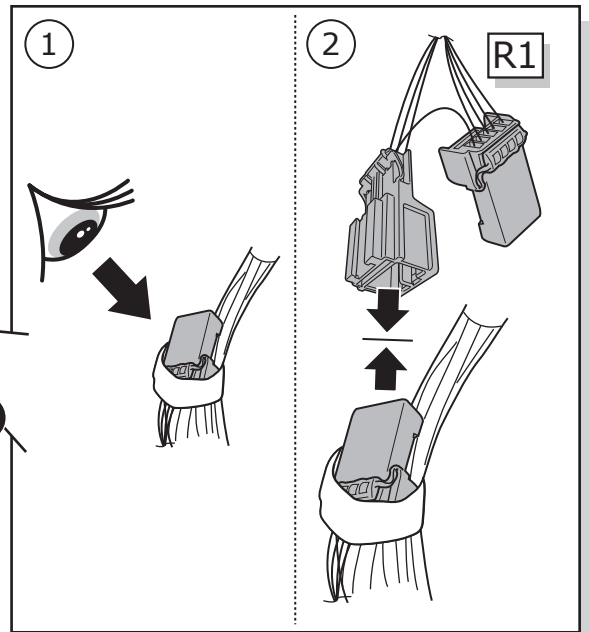
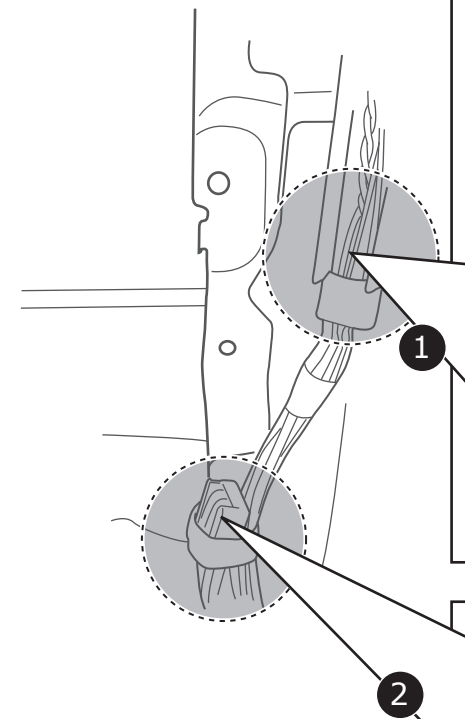
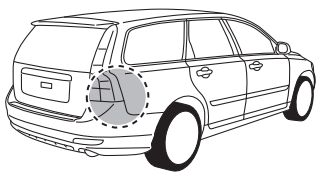
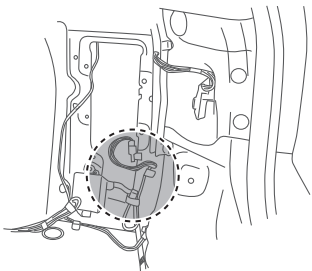
PDC Module



Option 2

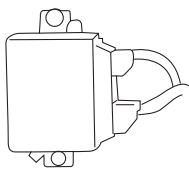


PDC Module

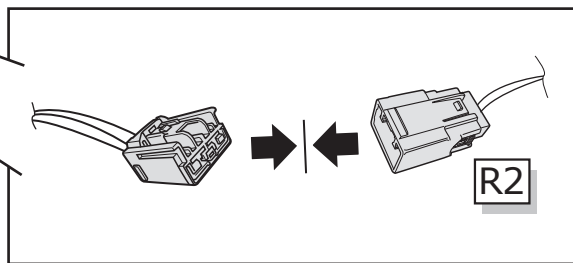
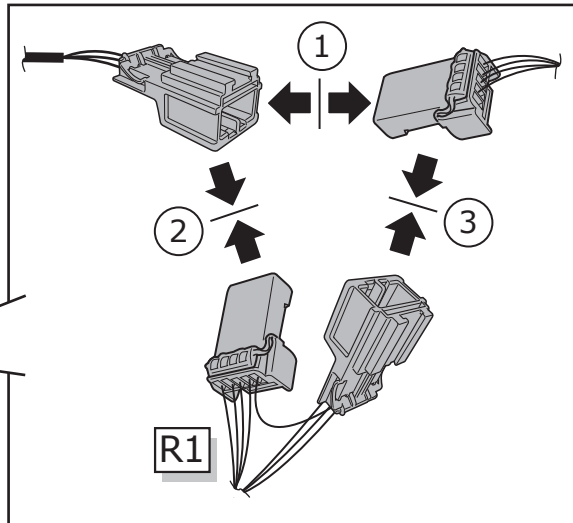
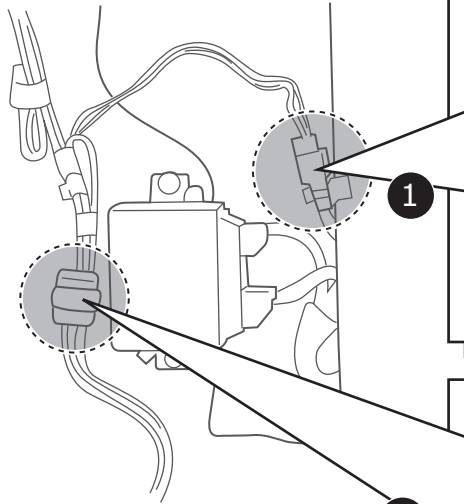
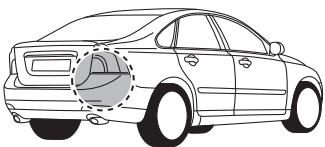
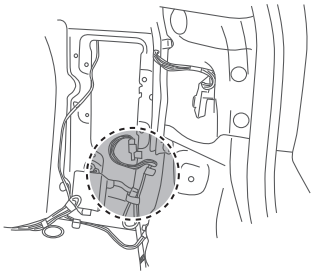


12

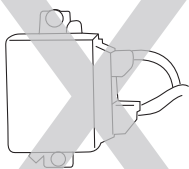
Option 1



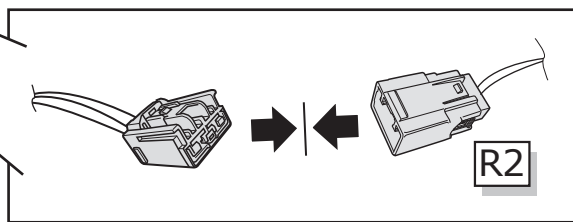
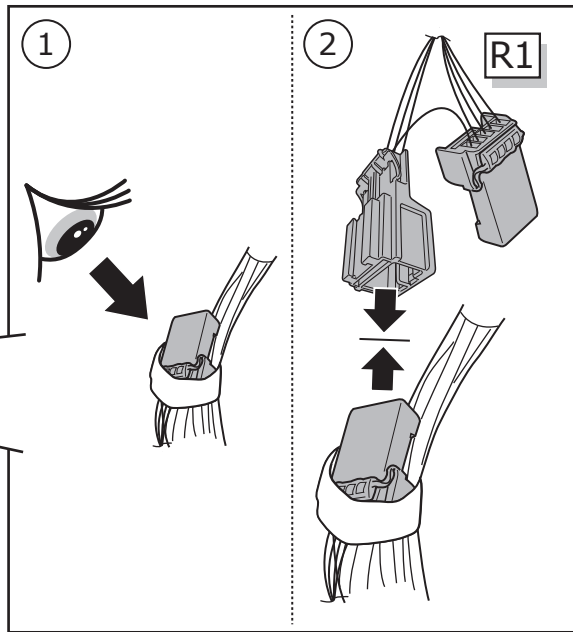
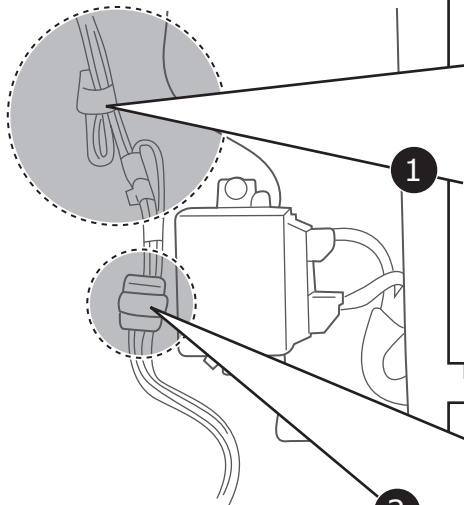
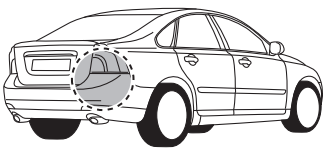
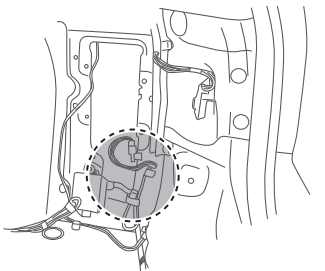
PDC Module



Option 2

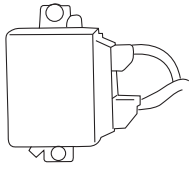


PDC Module

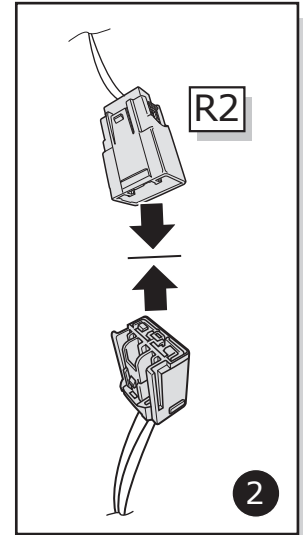
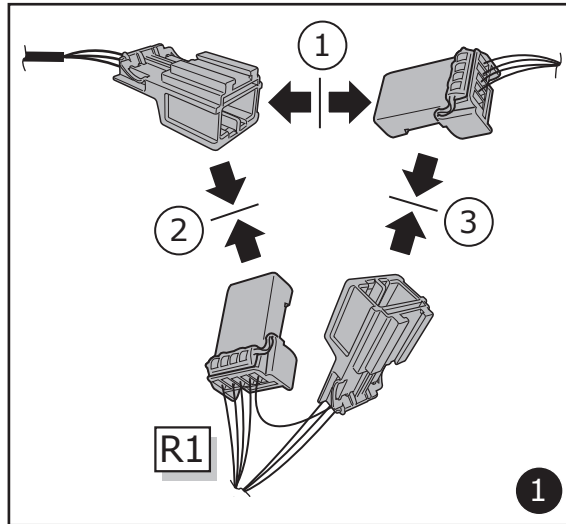
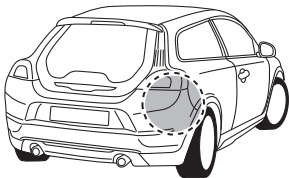
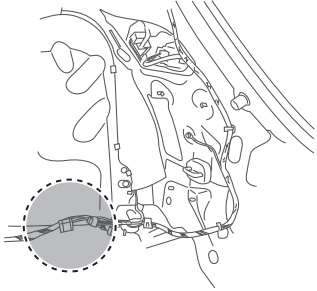


13

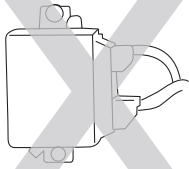
Option 1



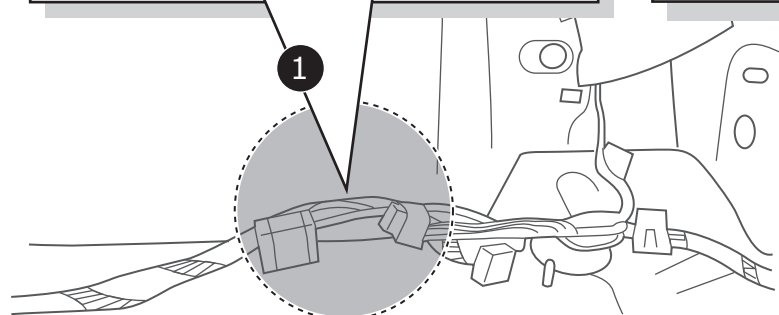
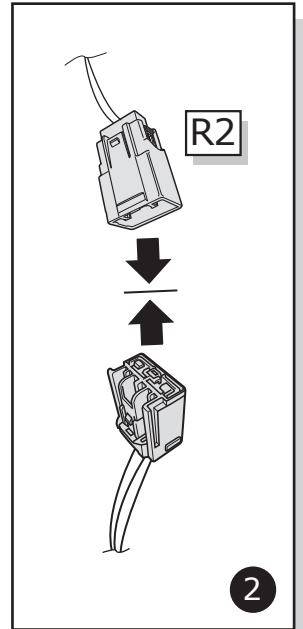
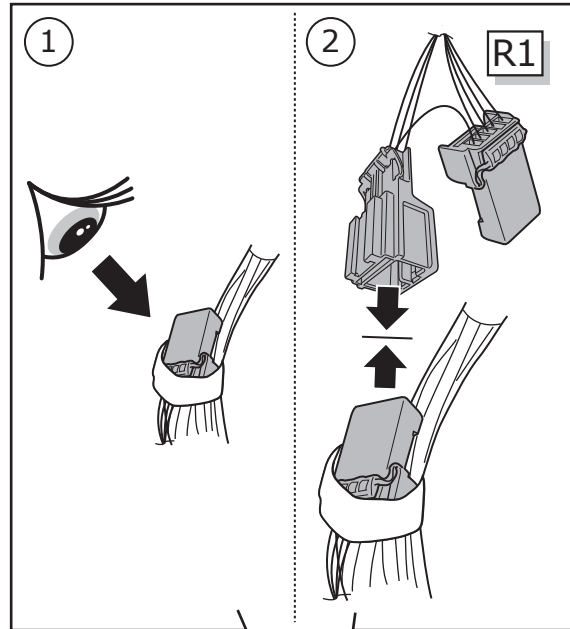
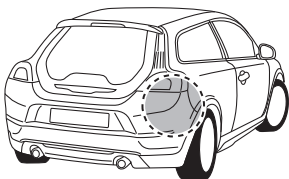
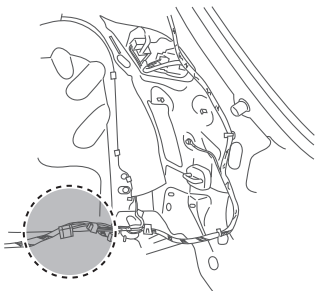
PDC Module



Option 2

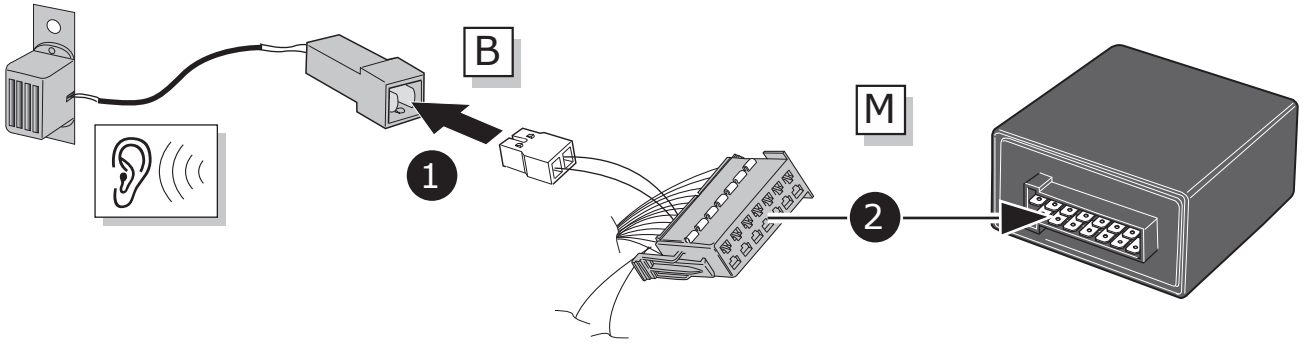


PDC Module

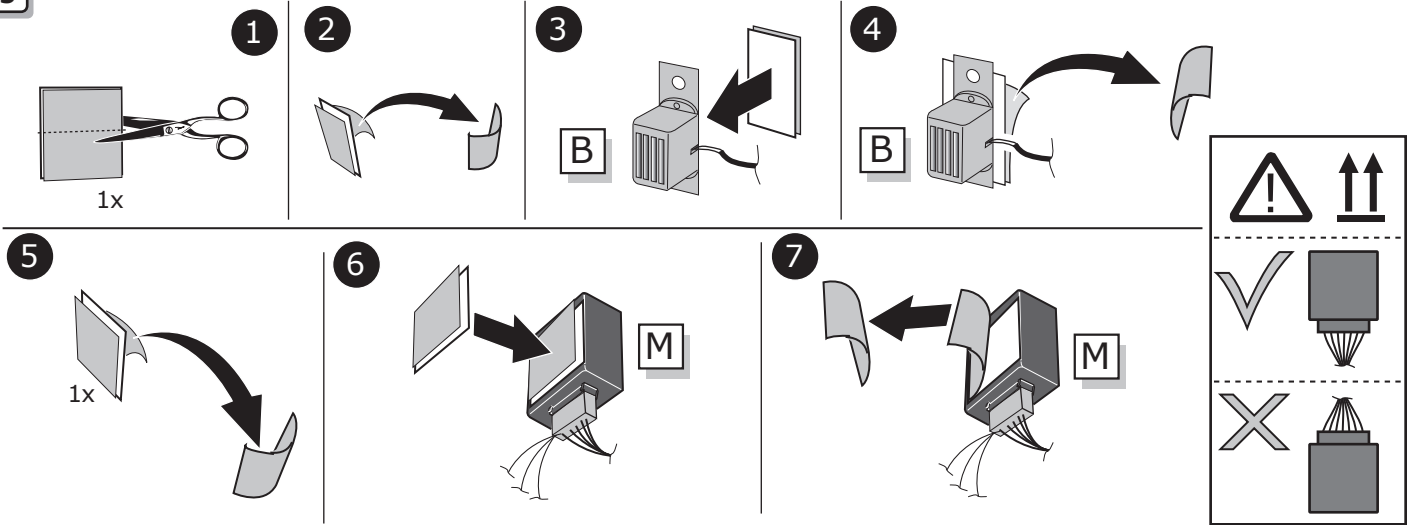


VOLVO V50 / VOLVO S40 / VOLVO C30

14

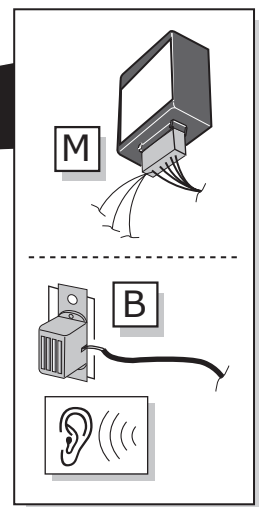
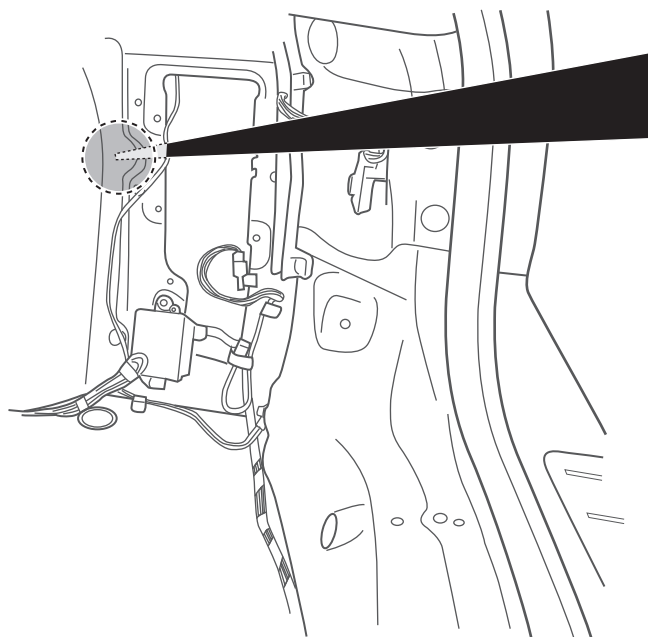
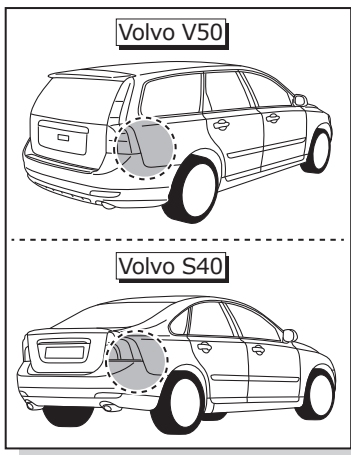


15

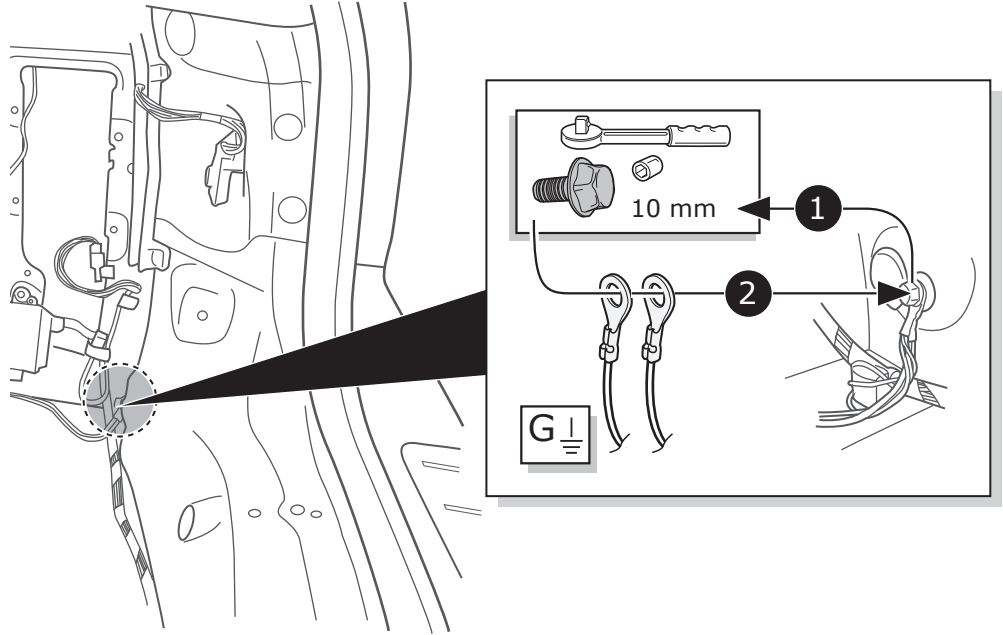
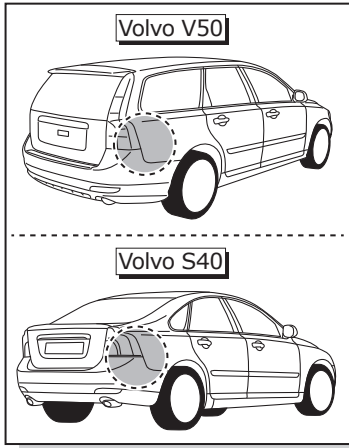


VOLVO V50 / VOLVO S40

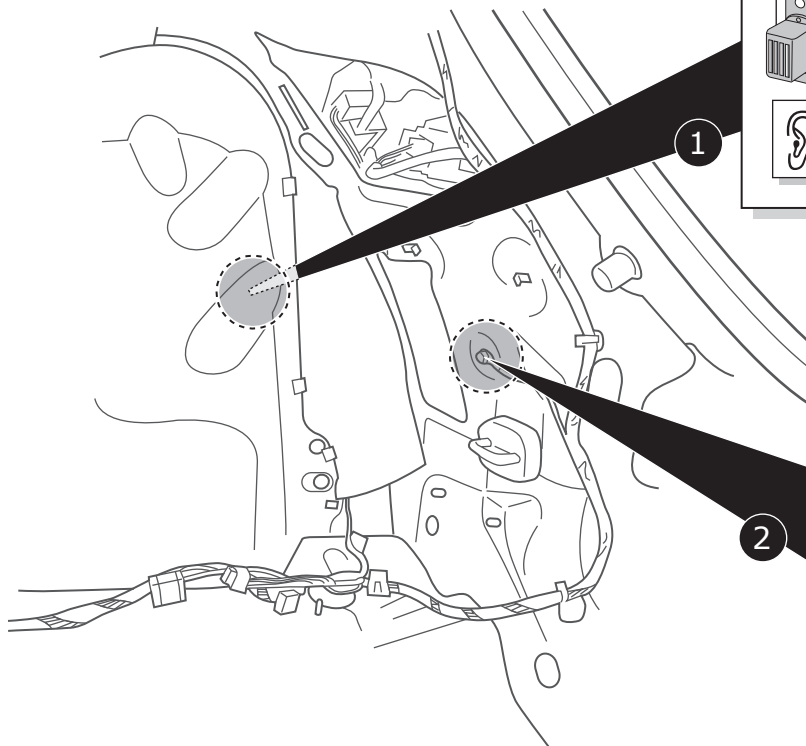
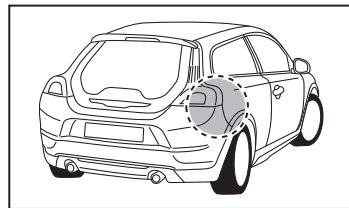
16



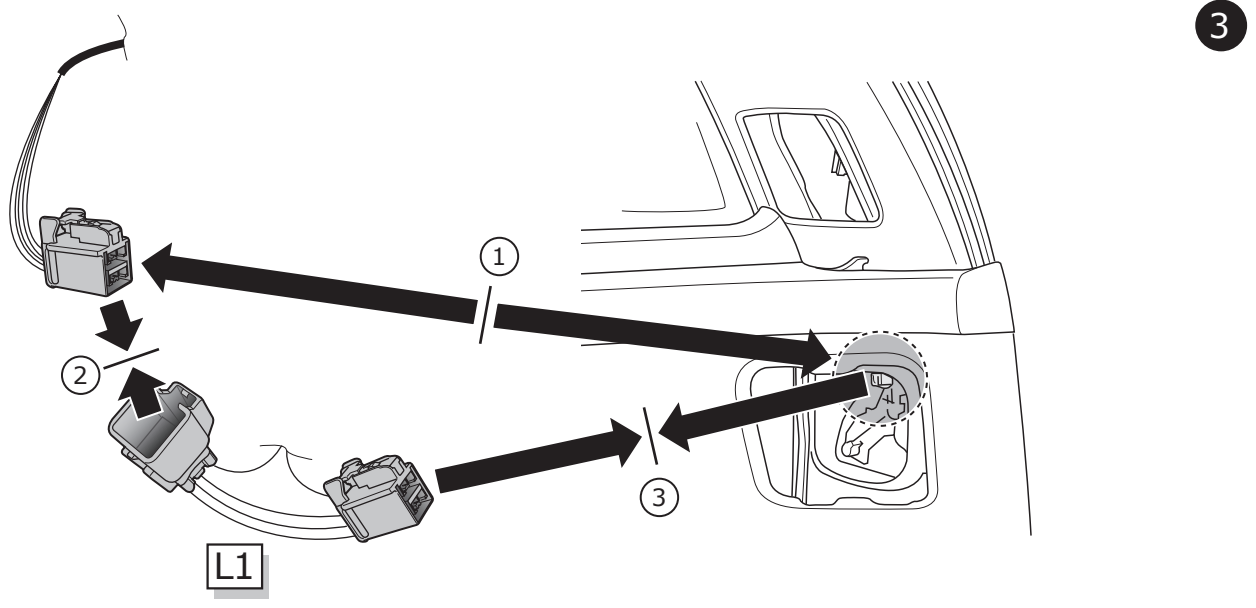
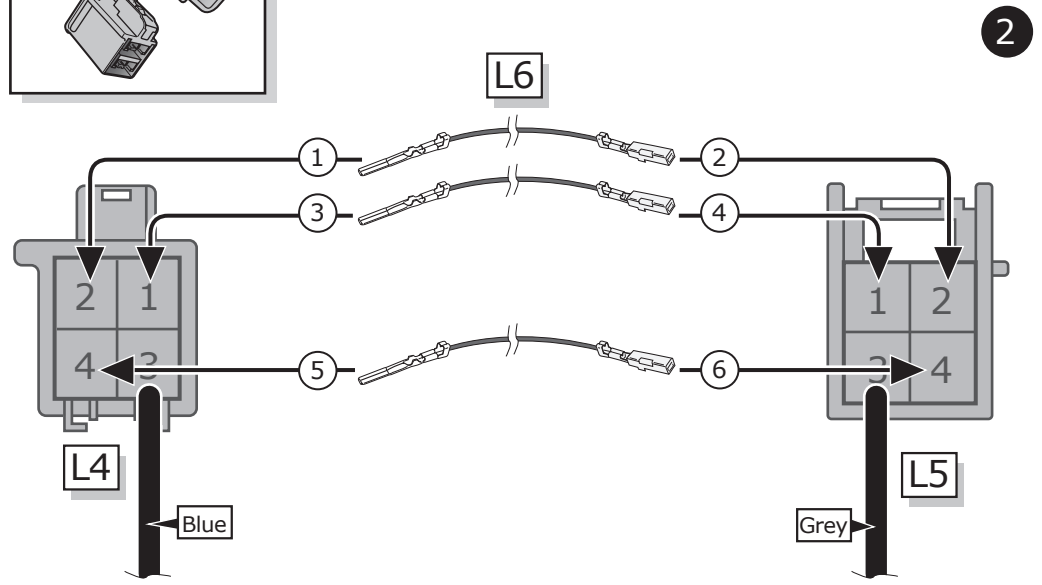
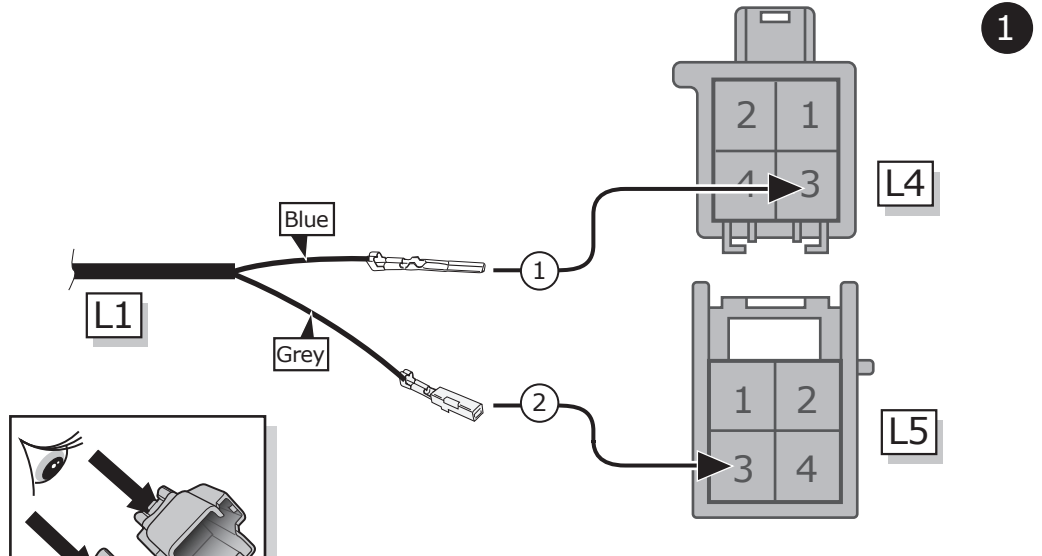
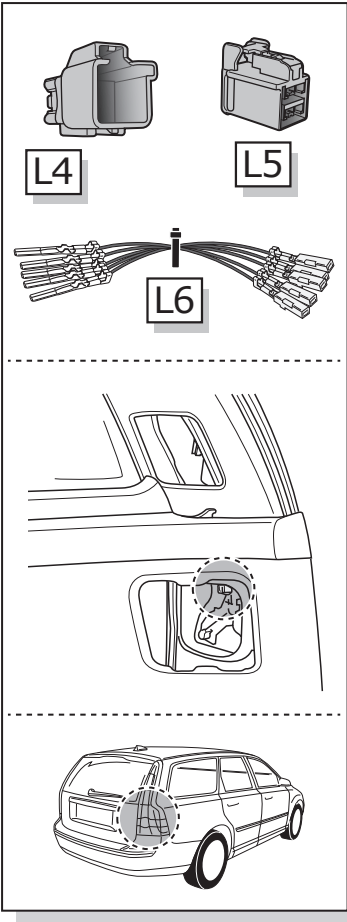
17



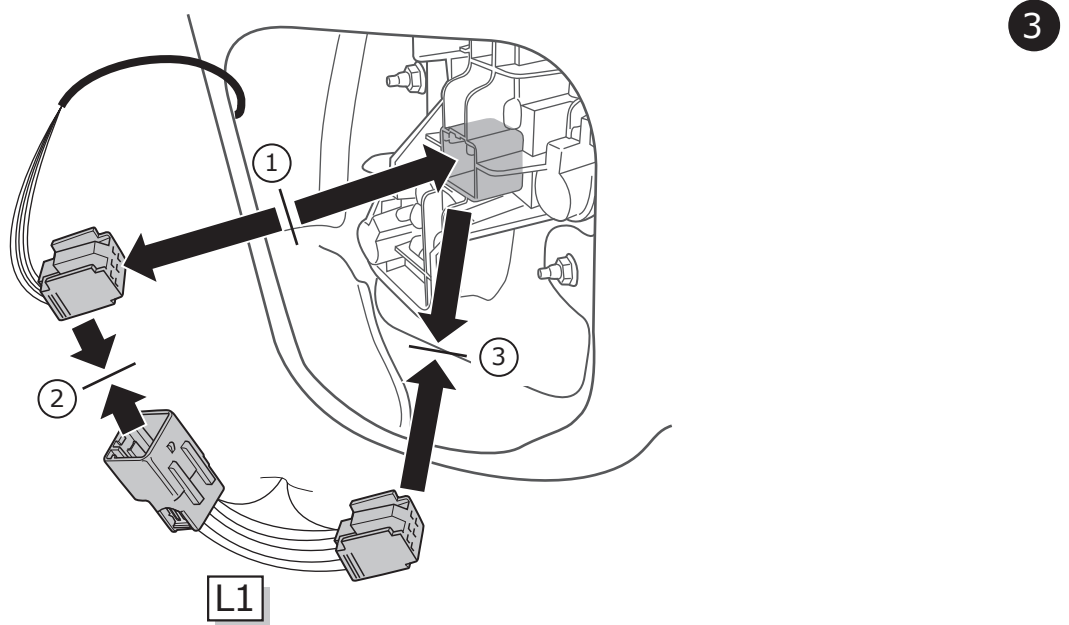
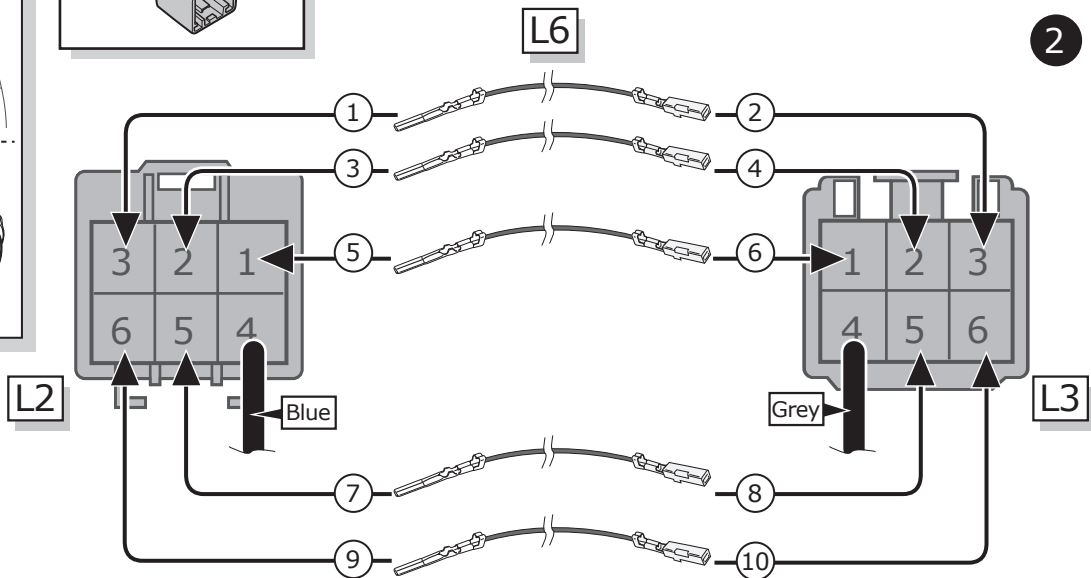
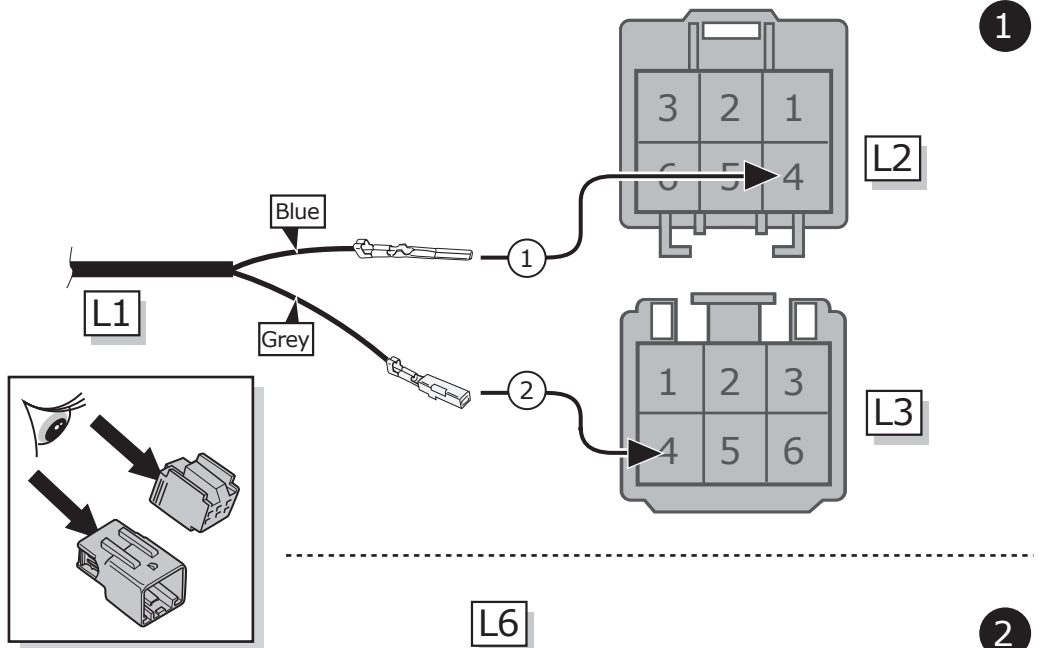
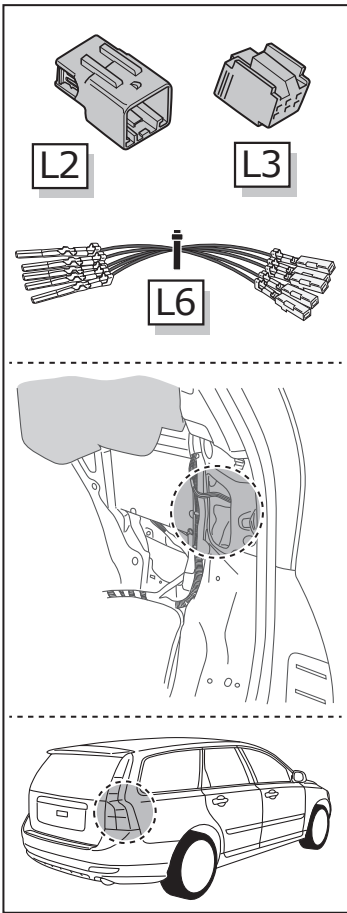
18



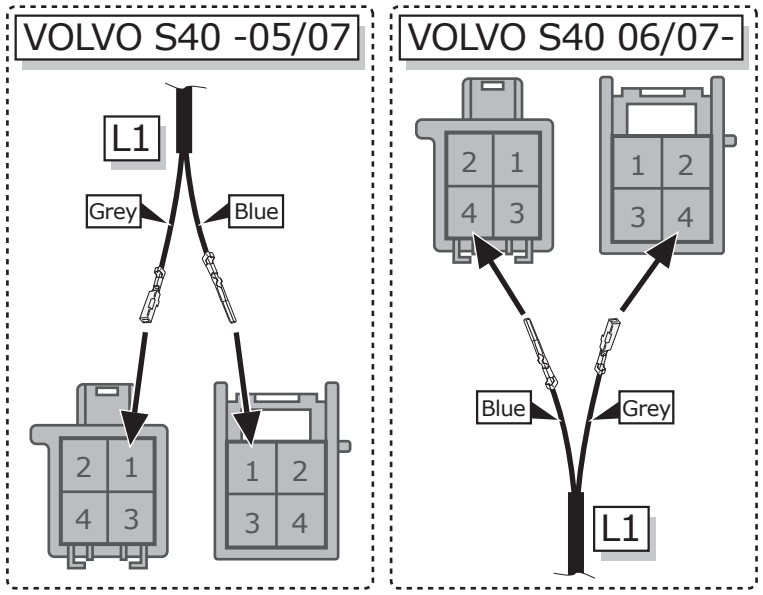
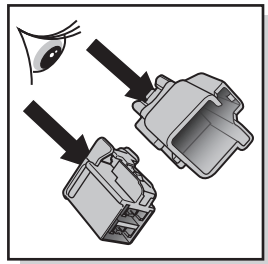
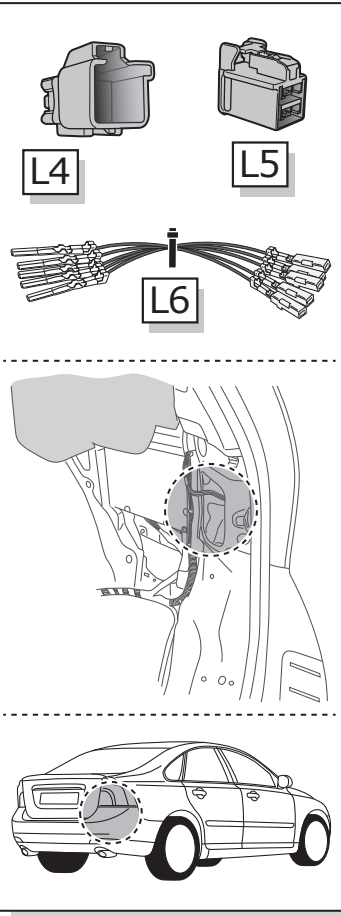
19



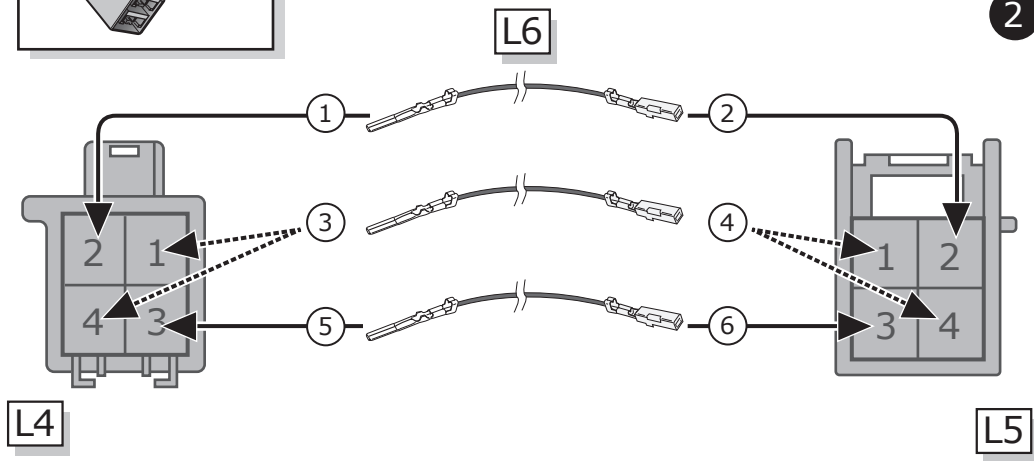
20



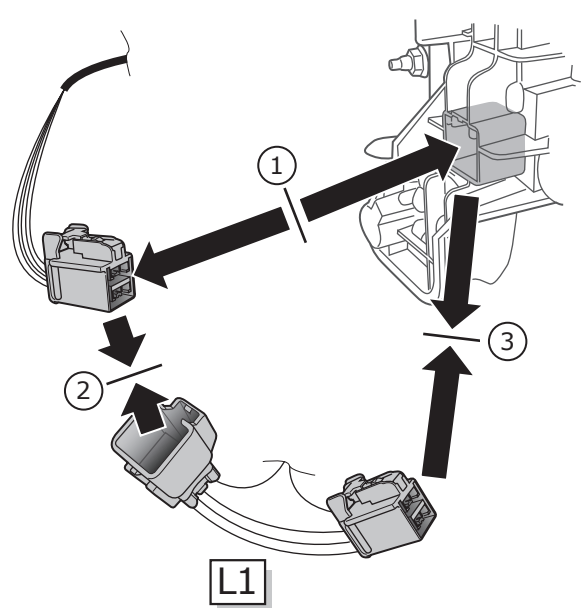
21



1

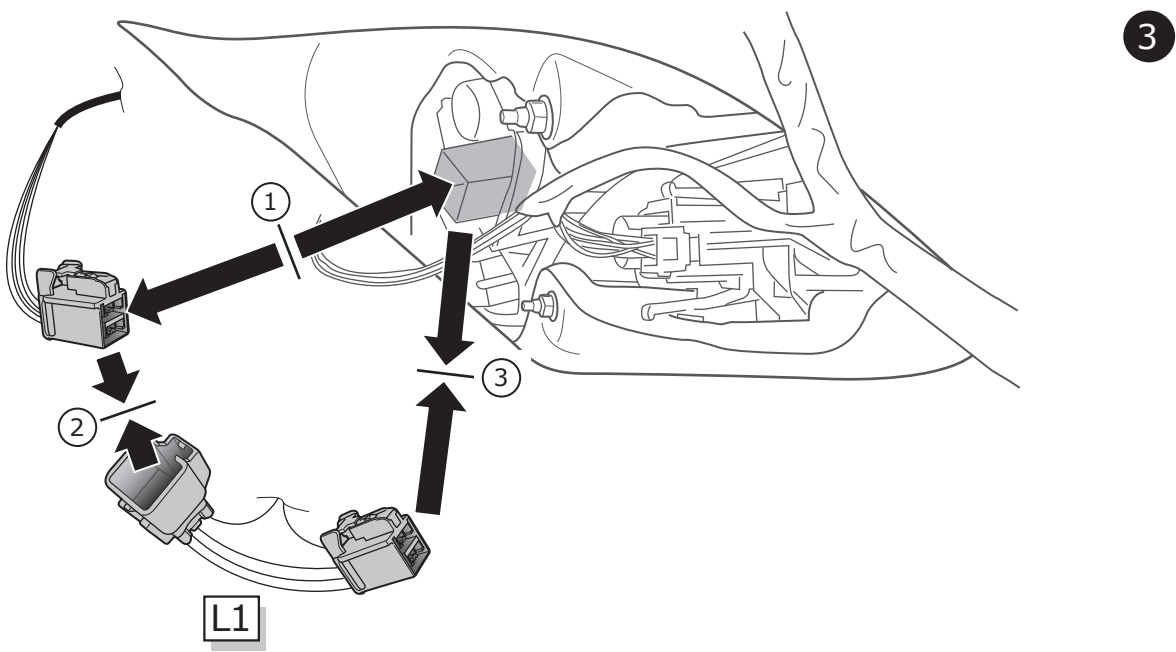
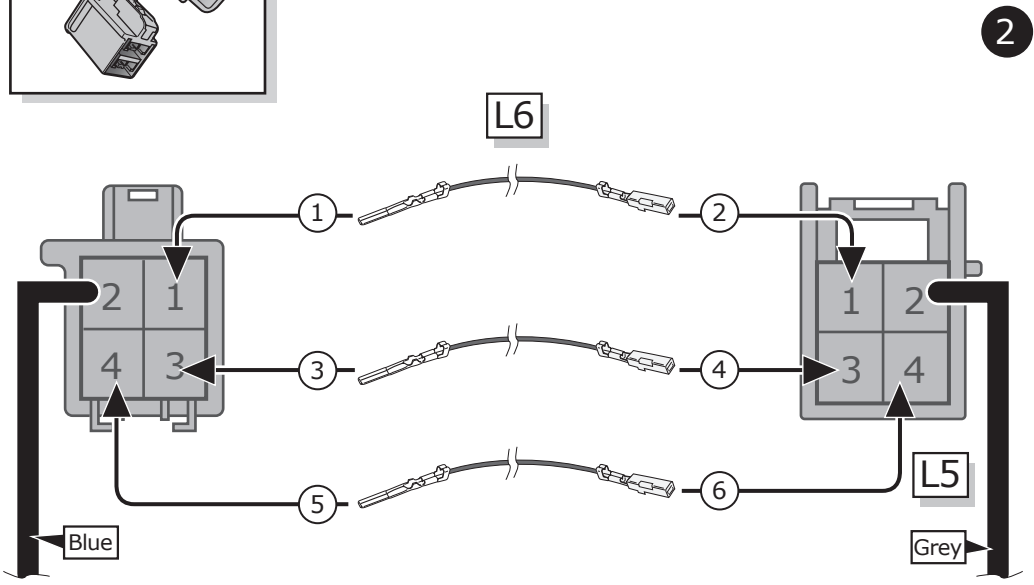
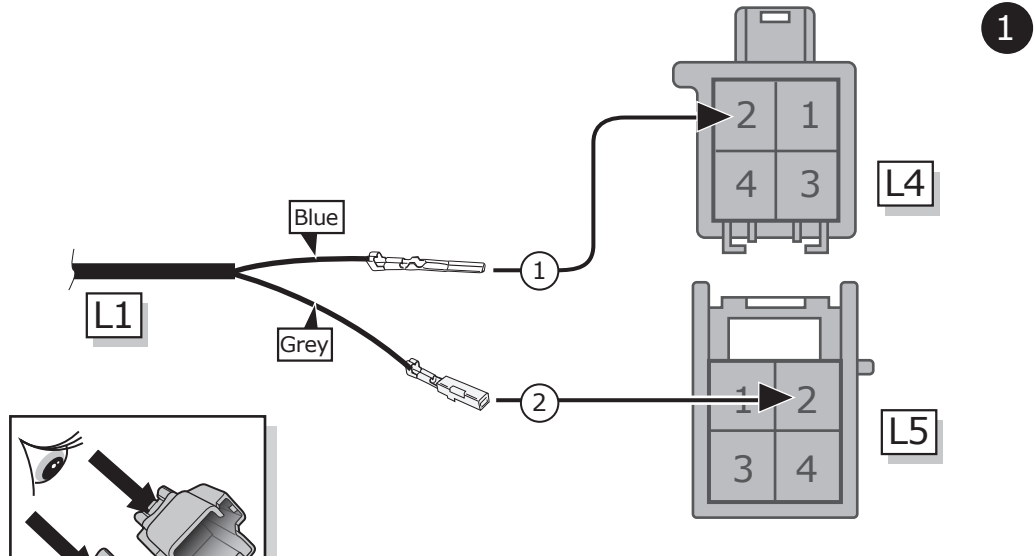
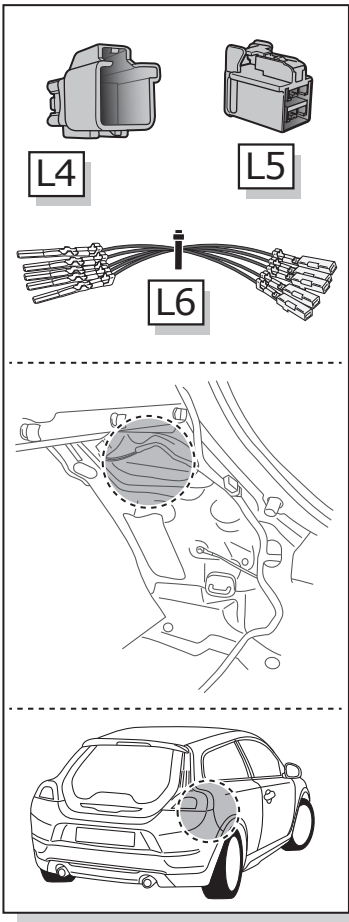


2



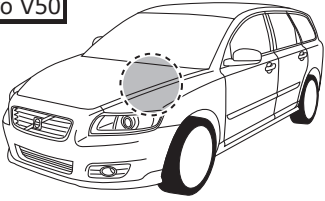
3

22

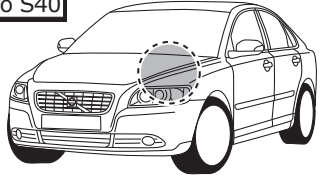


23

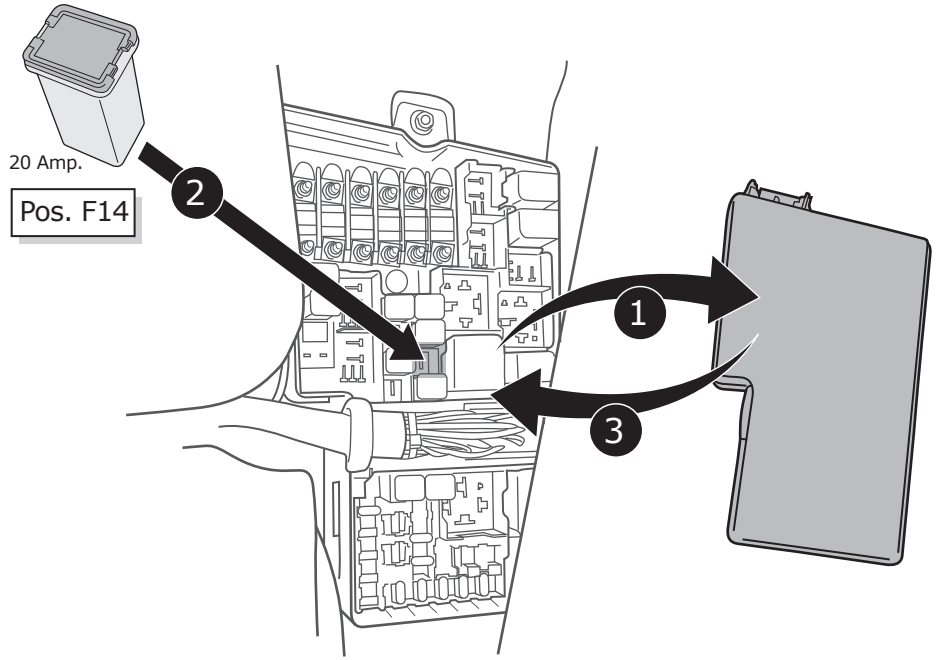
Volvo V50



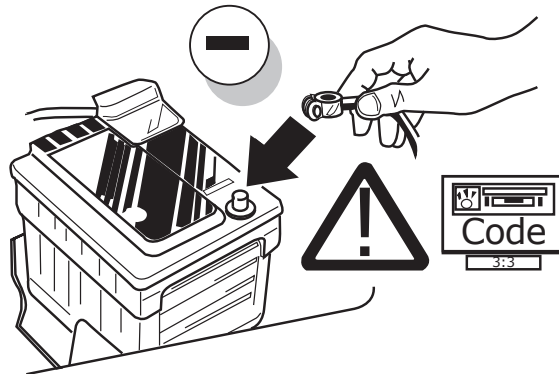
Volvo S40



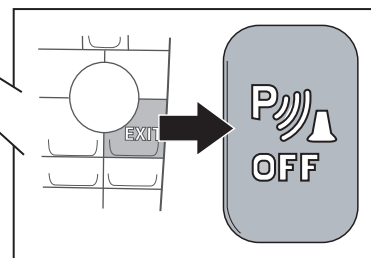
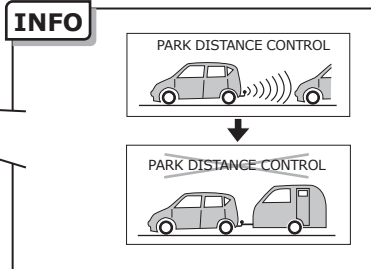
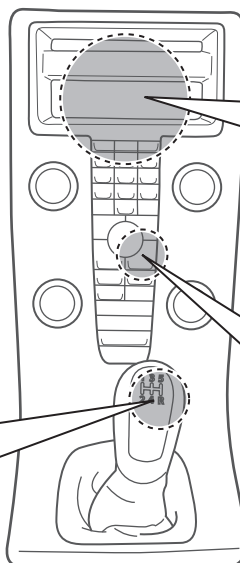
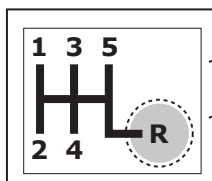
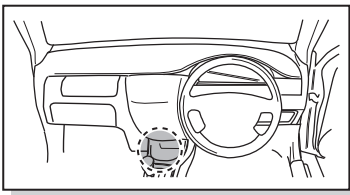
Volvo C30



24



25



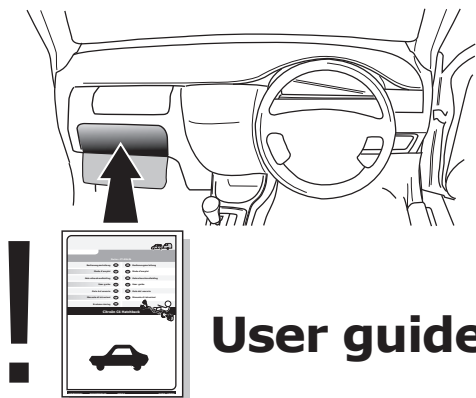
26

TEST ALL THE CIRCUITS WITH A TEST DEVICE WITH THE CORRECT POWER LOAD FOR EACH FUNCTION. A TEST DEVICE WITH LED'S CANNOT BE USED FOR THIS PURPOSE.

INFO

REINSTALL TRIM.

27



User guide



INFO

SOCKET CONNECTION

DIN/ISO 11446														
	1/L	2	2a	3/31	4/R	5/58-R	6/54	7/58-L	8	9	10	11	12	13
Pmax	21W	21W			21W	42W	3x21W	42W	21W	180W/15Amp	180W/15Amp			
Colour	Yellow	Blue	Grey	White	Green	Brown	Red 1,00 mm ²	Black	Black/ Red	Brown/ White	Red 2,50 mm ²	White	-	White