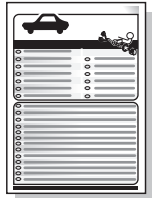
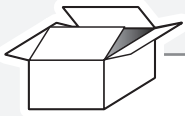


## Volkswagen Touareg NF 05/2010- Partnr.: VW-101-D1U

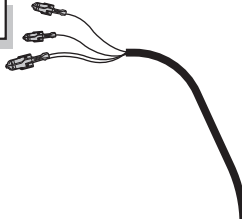
- Fitting instructions electric wiring kit tow bar with 13-P socket up to DIN/ISO Norm 11446.
- We would expressly point out that assembly not carried out properly by a competent installer will result in cancellation of any right to damage compensation, in particular those arising by virtue of the product liability act.
- Contents of these kits and their fitting manuals are subject to alteration without notice, please ensure that these instructions are read and fully understood before commencing installation.
- Do not overload circuits; the maximum loads per connection are detailed in this manual.
- Attention! Before Installation, please read this manual carefully and inform your customer to consult the vehicle owners manual to check for any vehicle modifications required before towing.
- In the event of functional problems, troubleshooting must be limited to about 0.5 hours, contact the technical support:  
[t.skinner@ecs-electronics.com](mailto:t.skinner@ecs-electronics.com) / 07440 202 052.



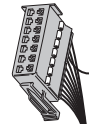
# Part list



R1



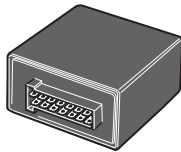
M



\*

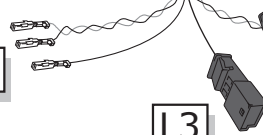
X

G I



M

L1



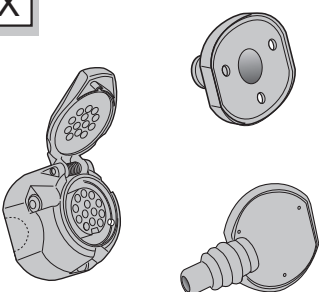
L2

L3



1x

X



**\* OPTION P.D.C.**

PARK DISTANCE CONTROL

↓

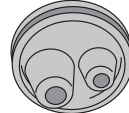
PARK DISTANCE CONTROL

For not OEM P.D.C. system  
use the: **VW-083-ZZ**

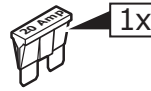
U1



T



3x



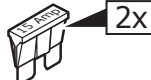
1x



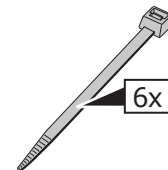
2x



3x

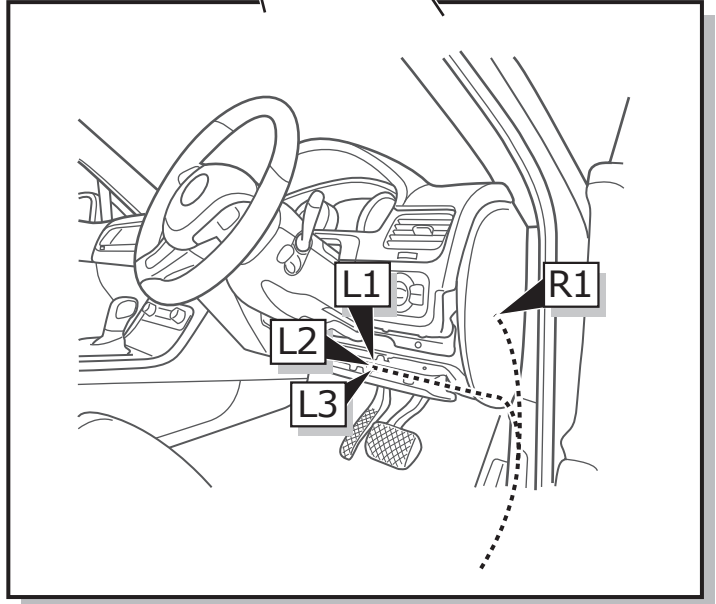
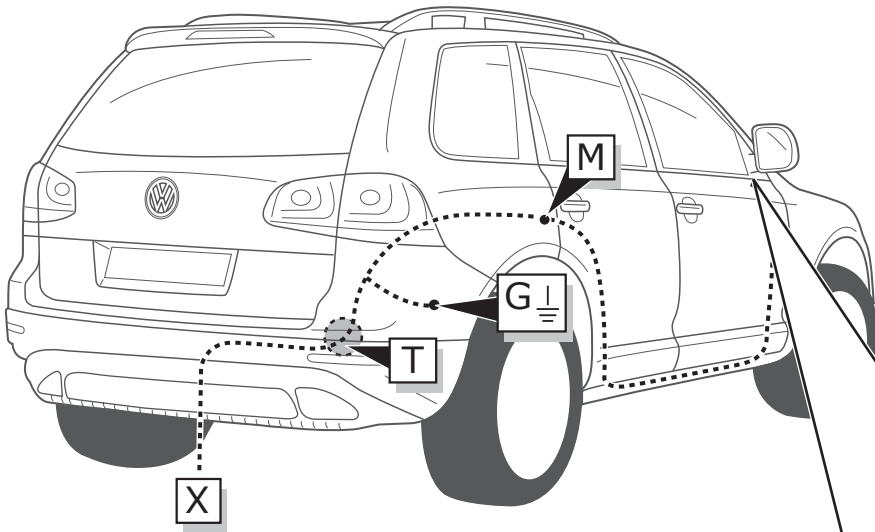


2x

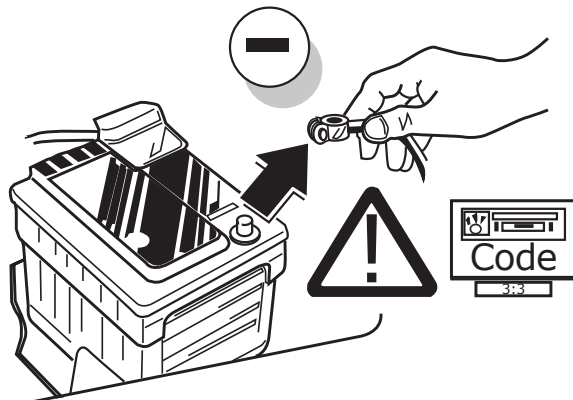


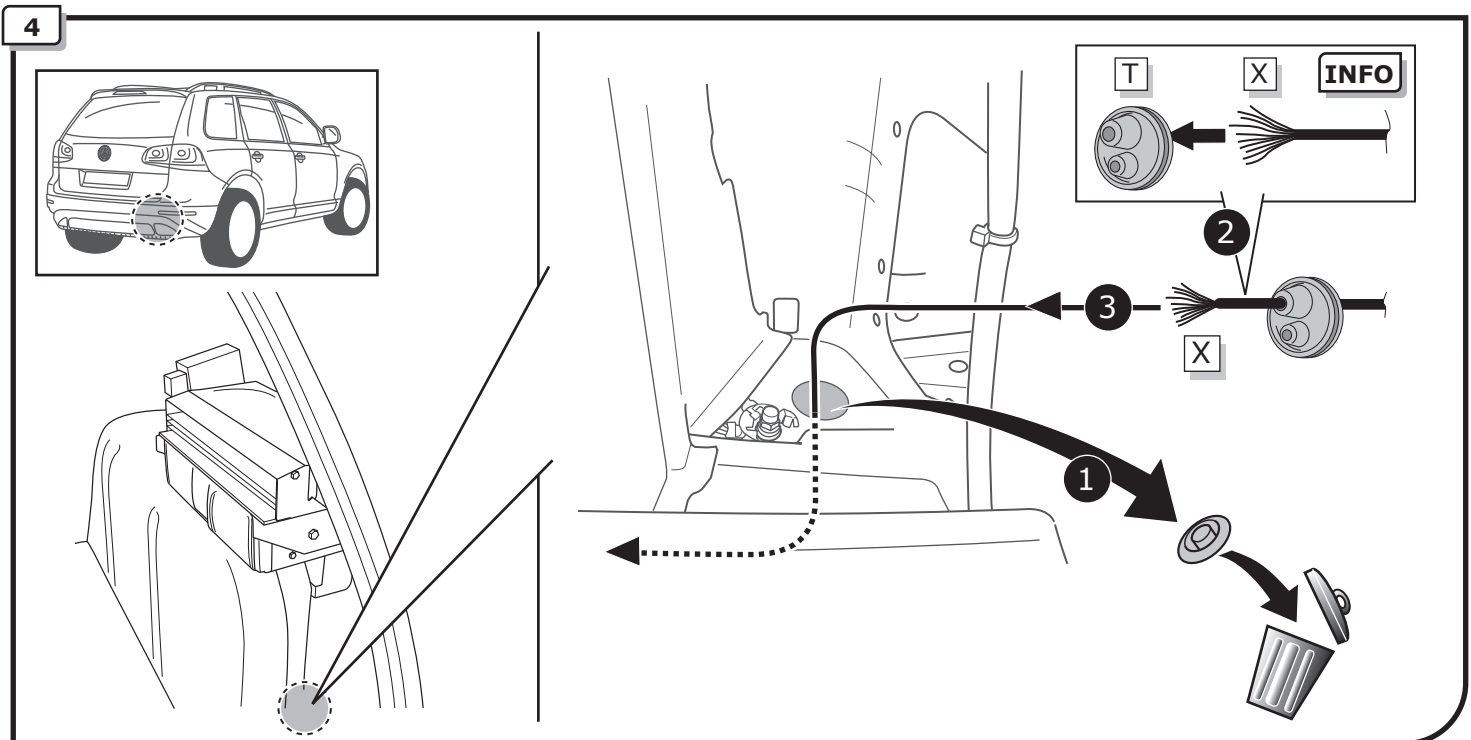
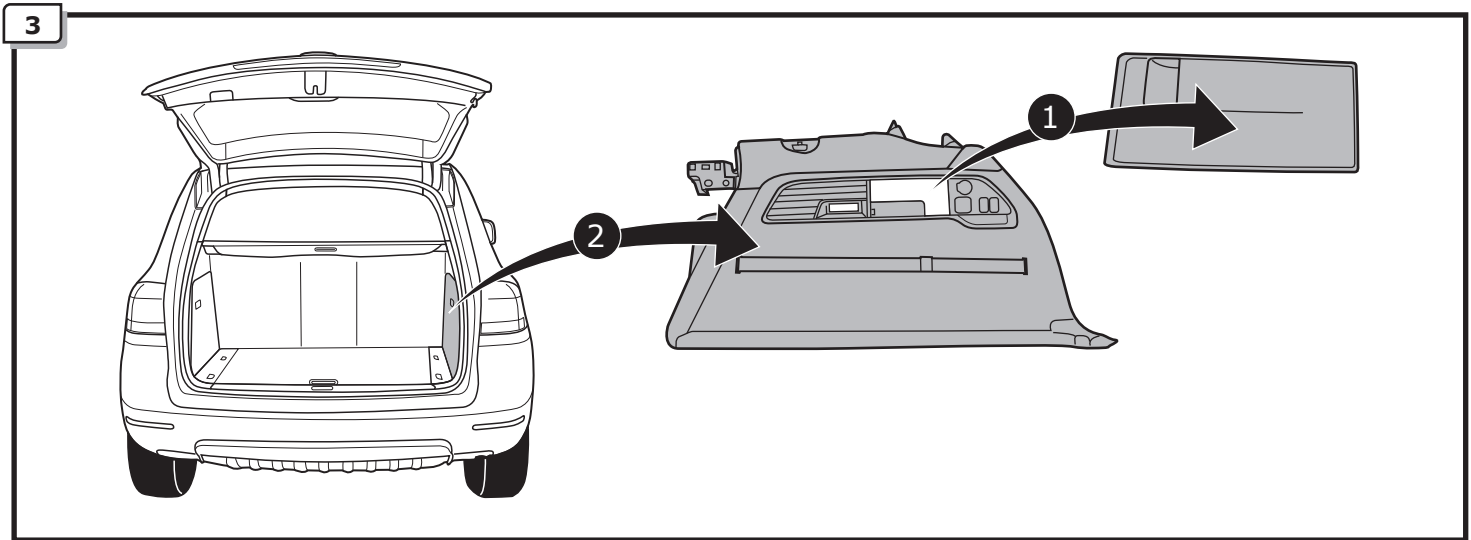
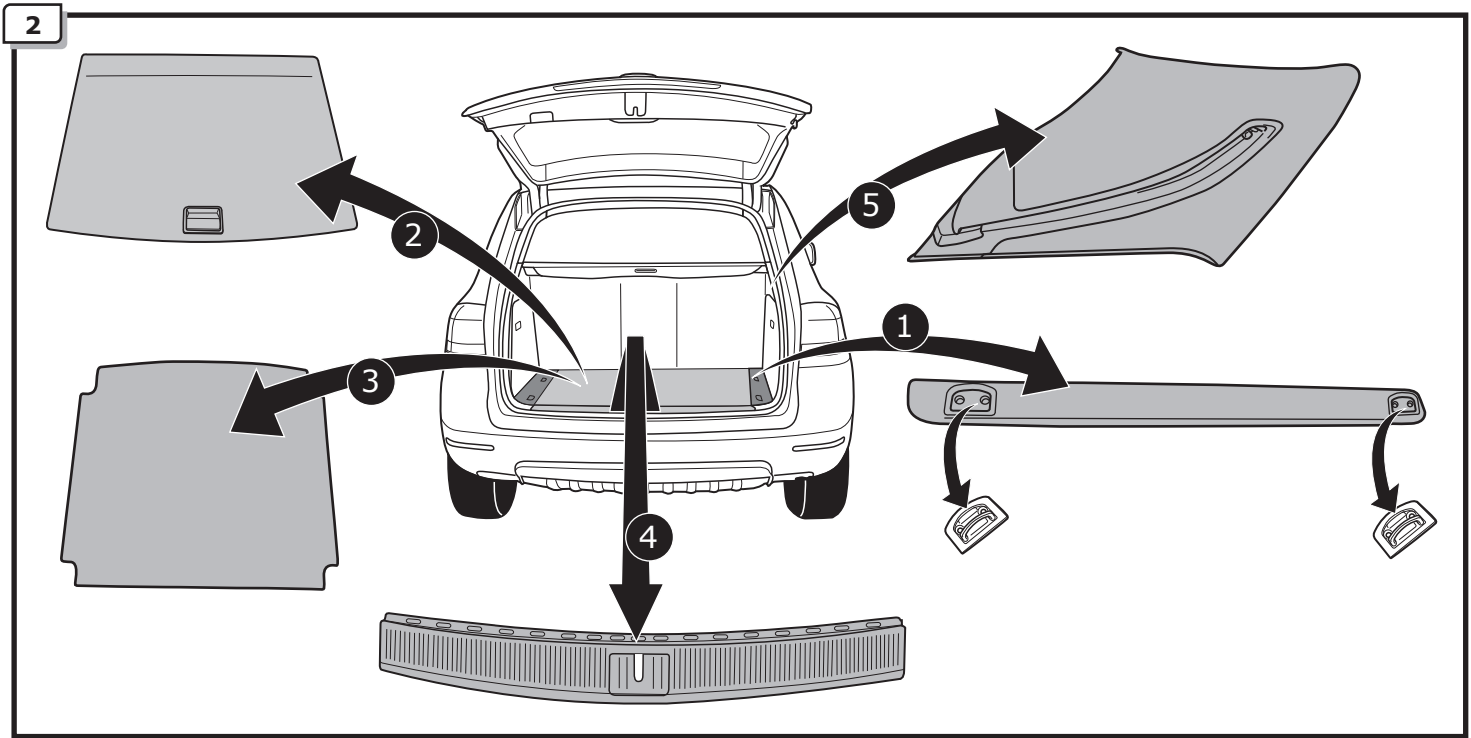
6x

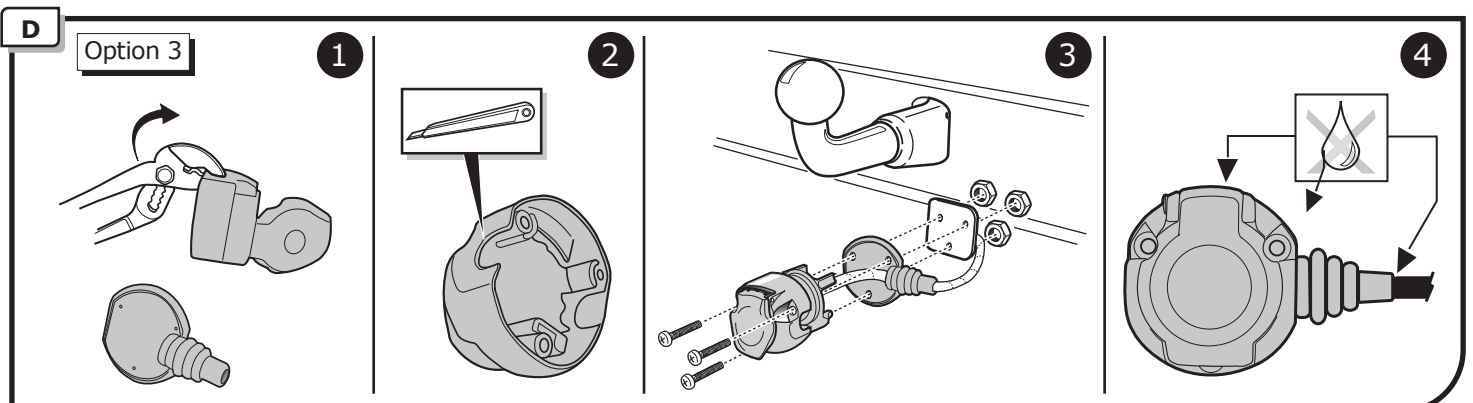
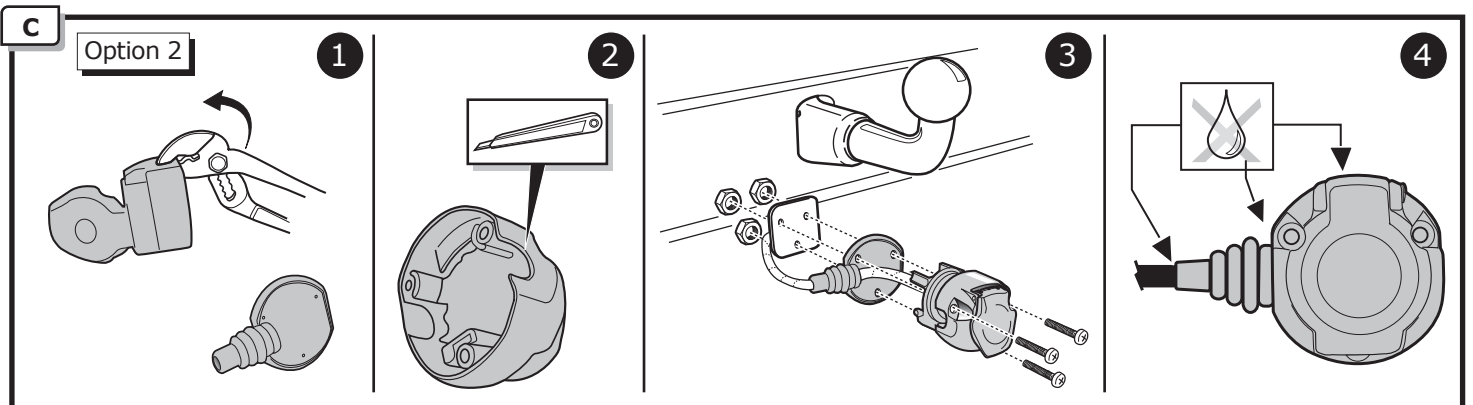
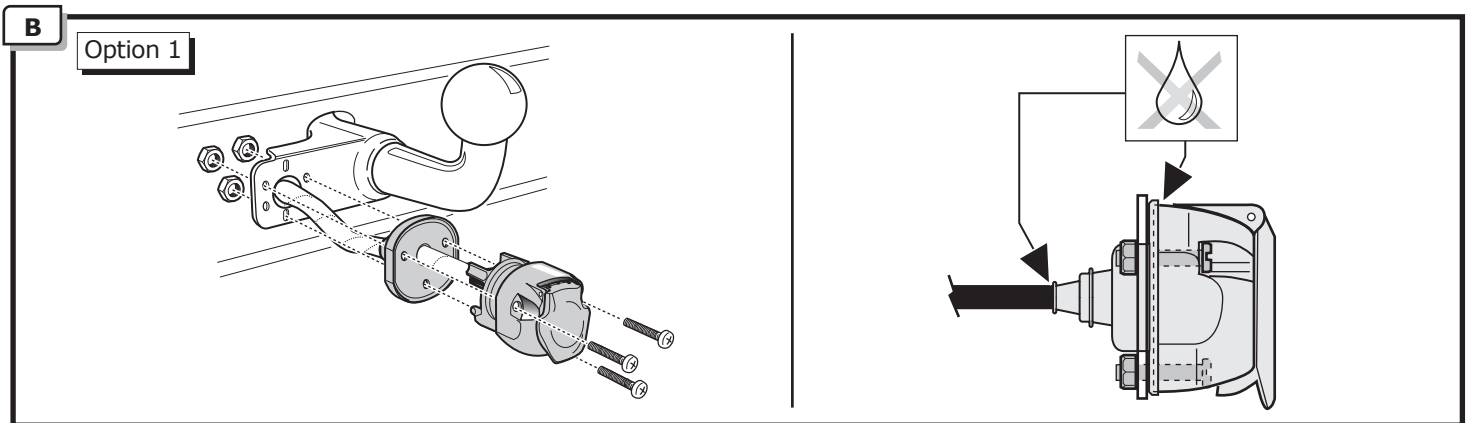
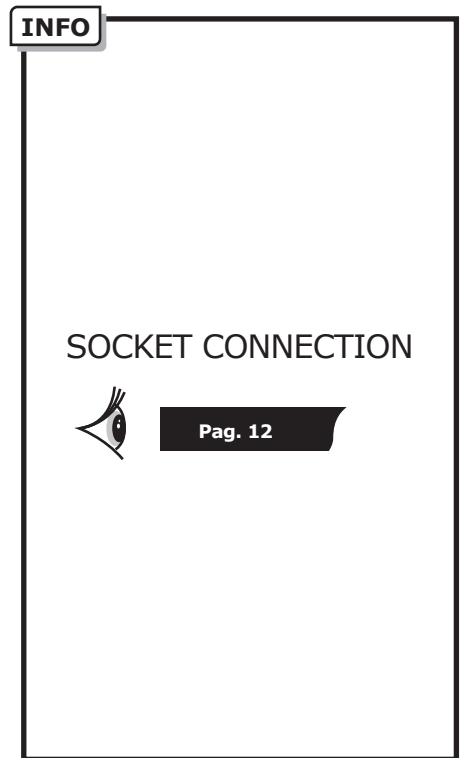
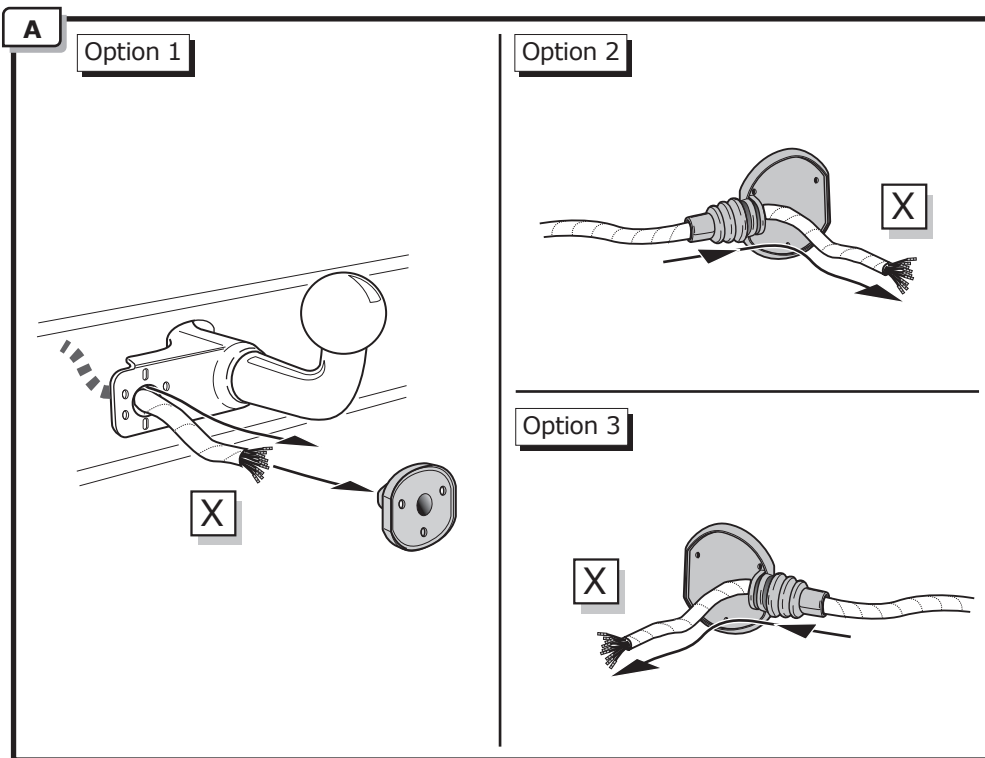
**ROUTING**

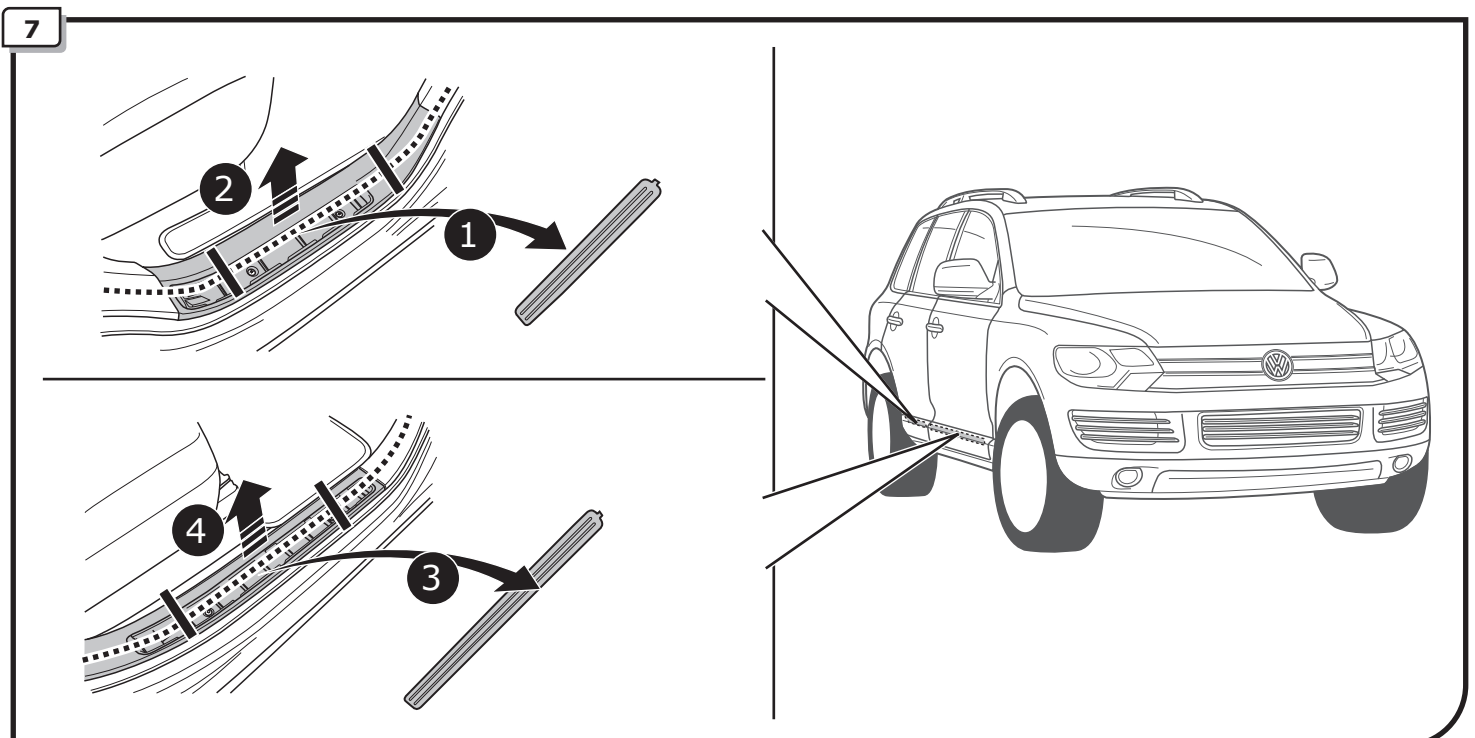
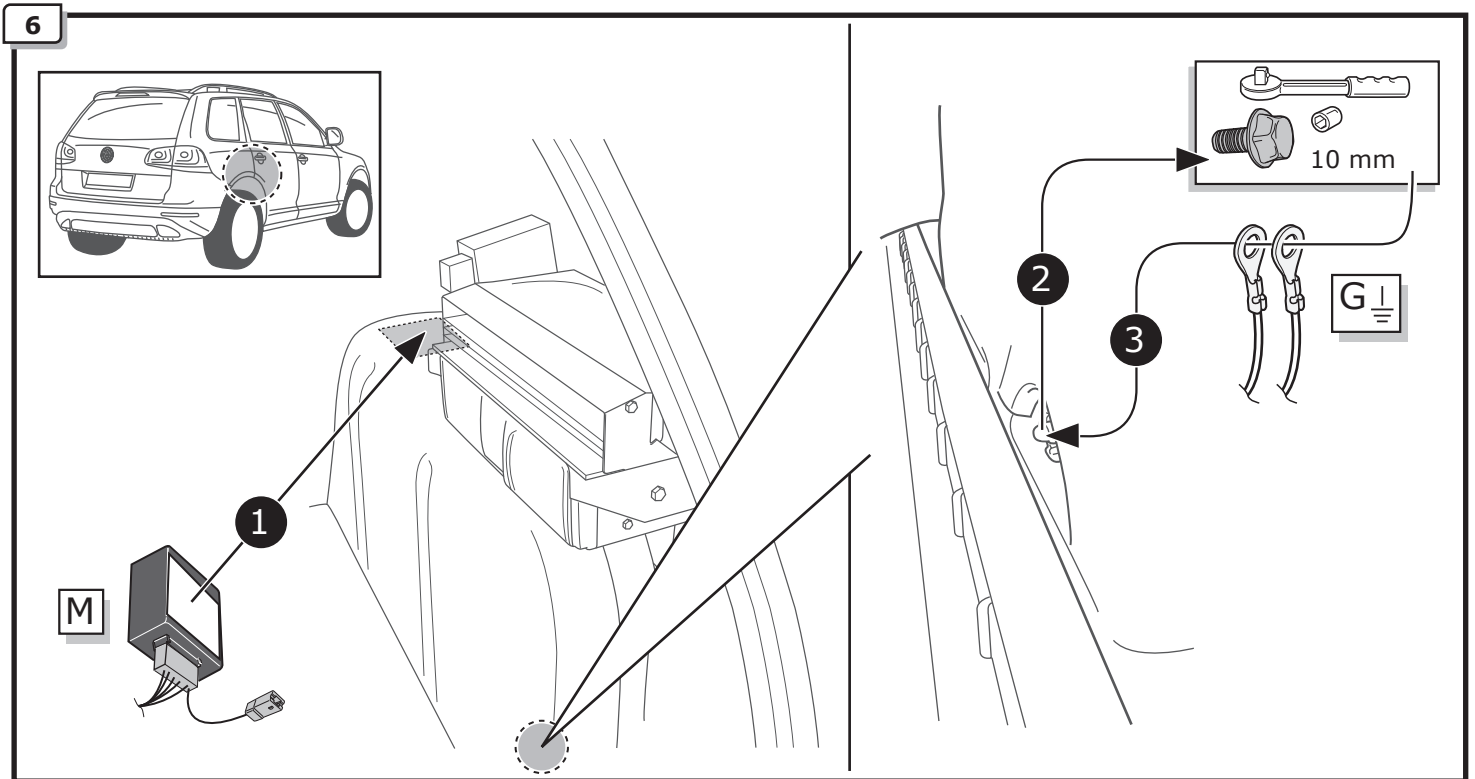
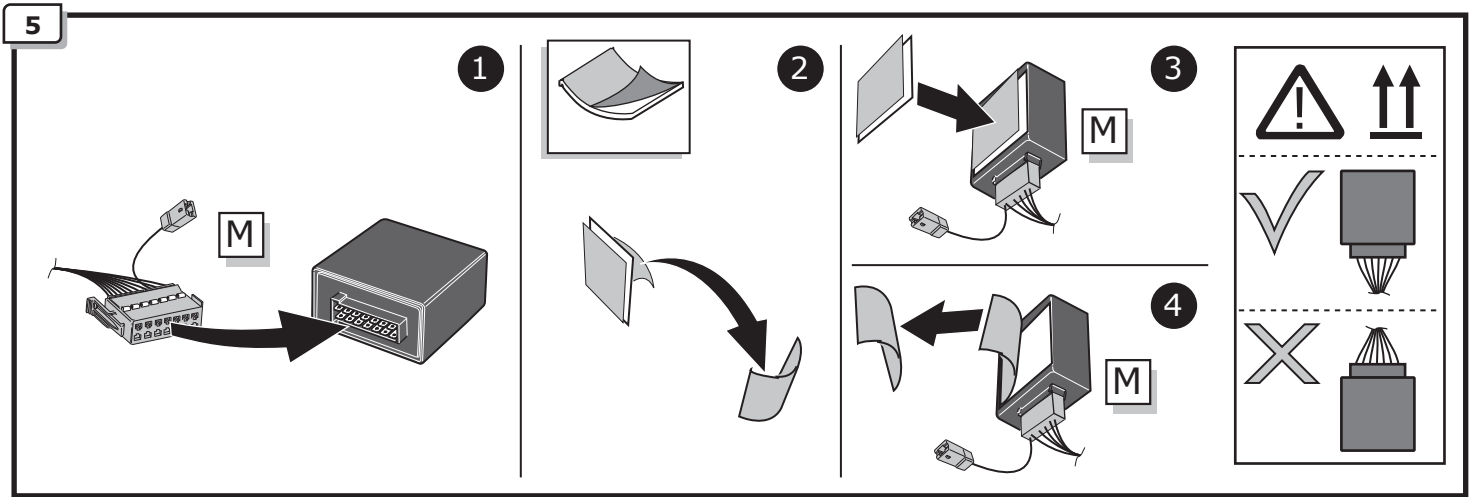


**1**

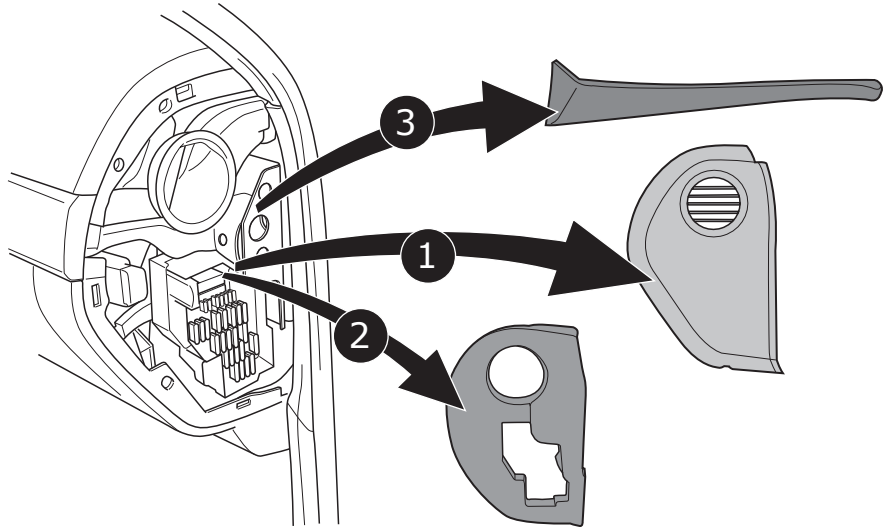
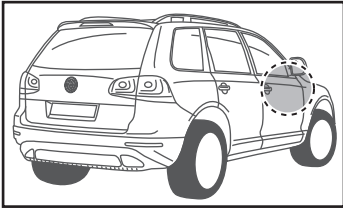




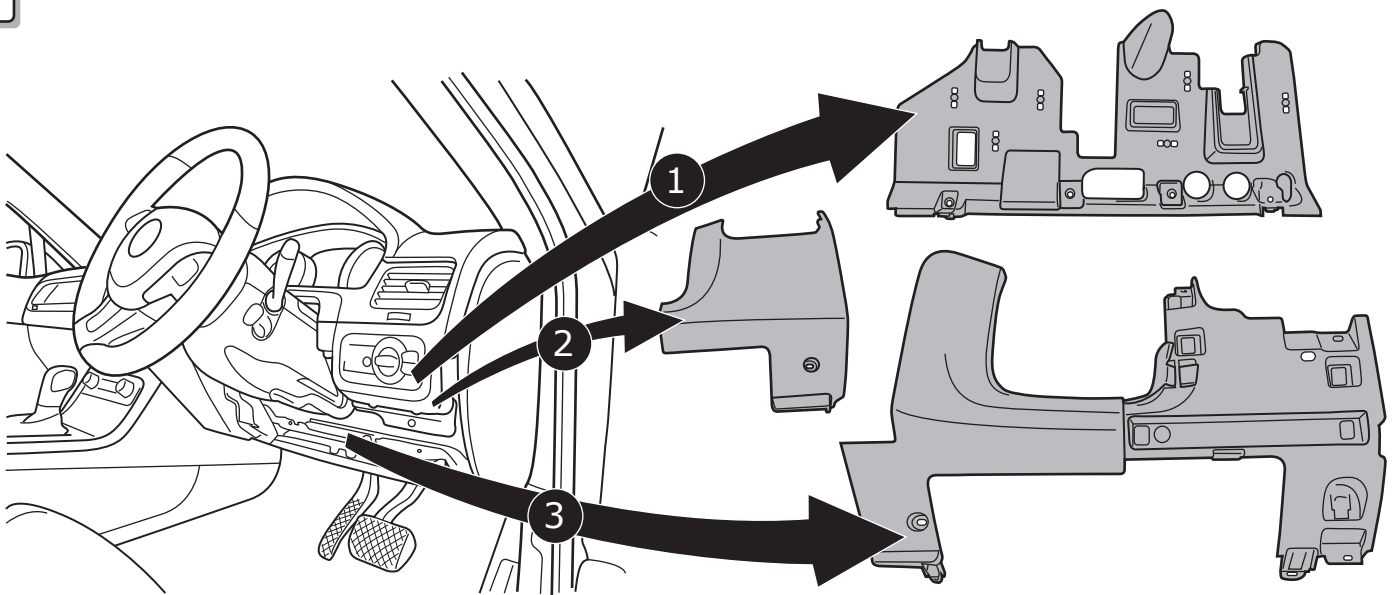




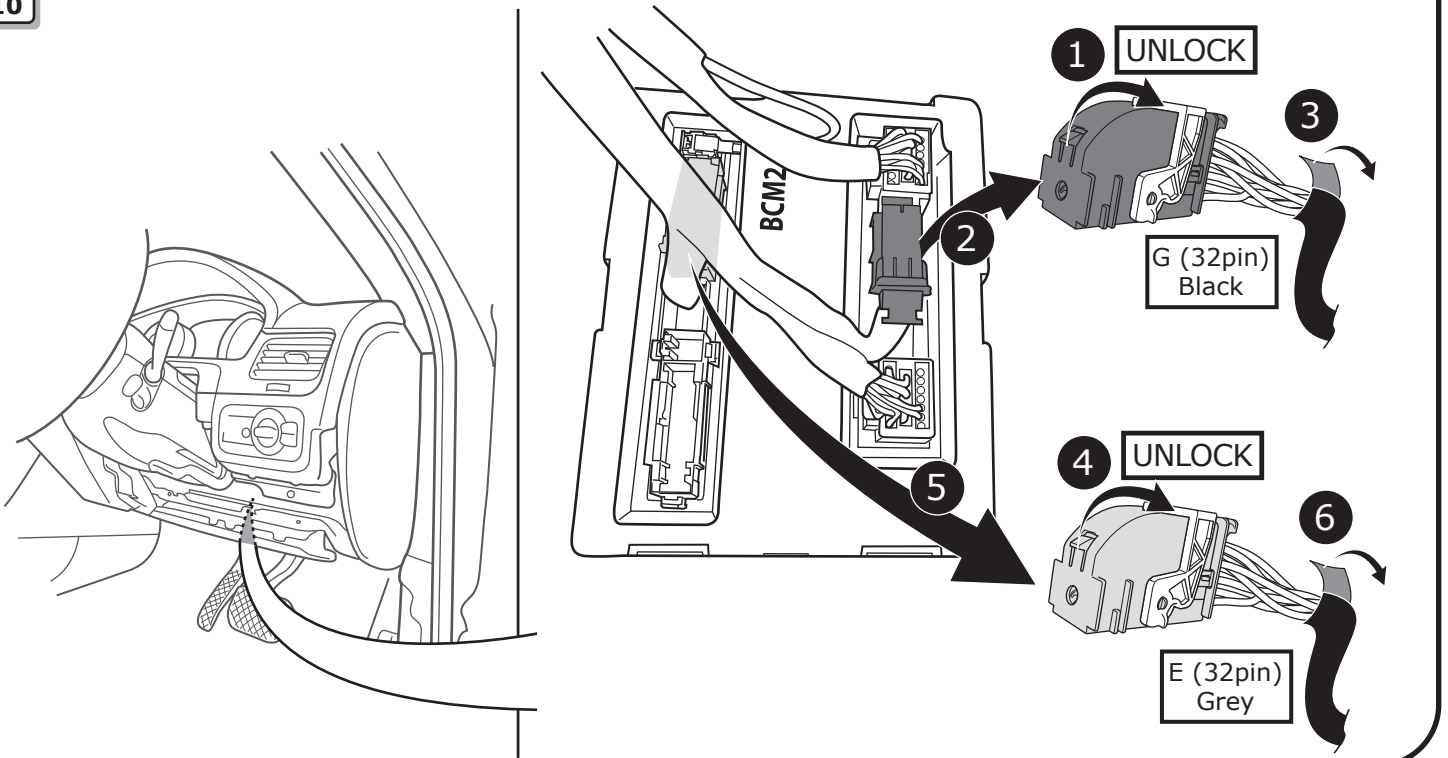
8



9

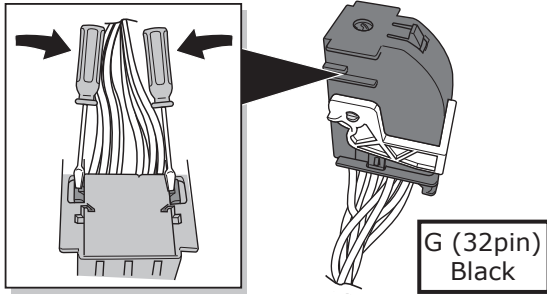


10



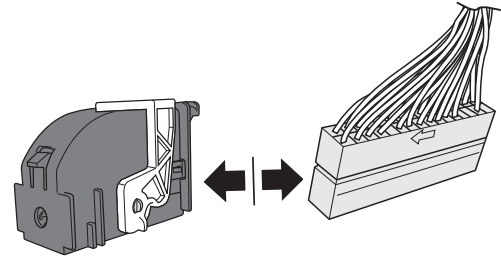


11



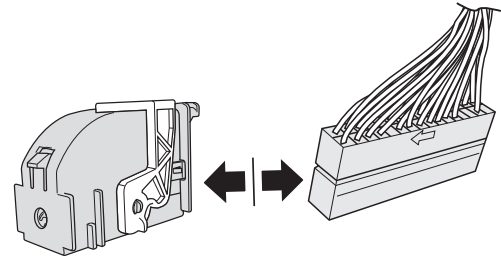
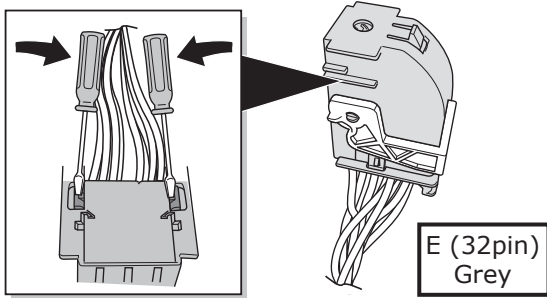
1

2



3

4



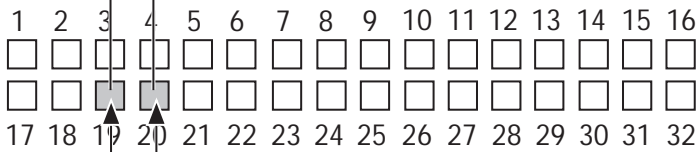
12

G (32pin)  
Black

Can-bus  
Datawire

Orange/Green

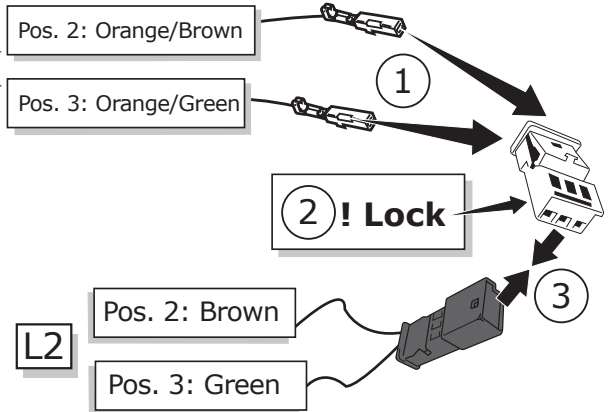
Orange/Brown



Green

L1

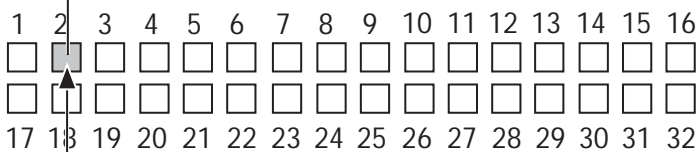
2



E (32pin)  
Grey



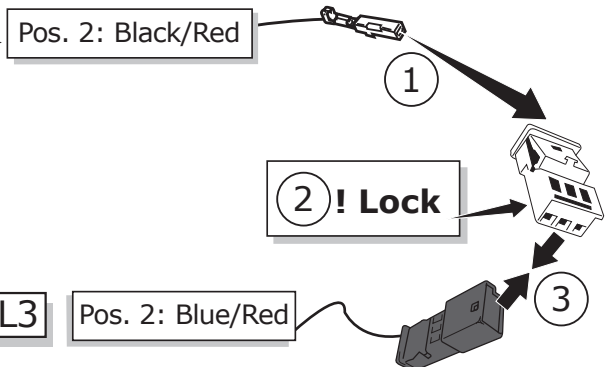
Black/Red



Blue/Red

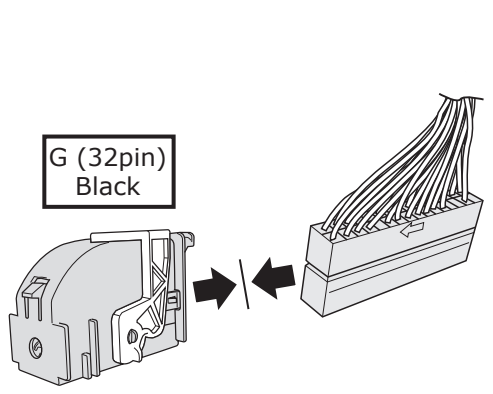
L1

5

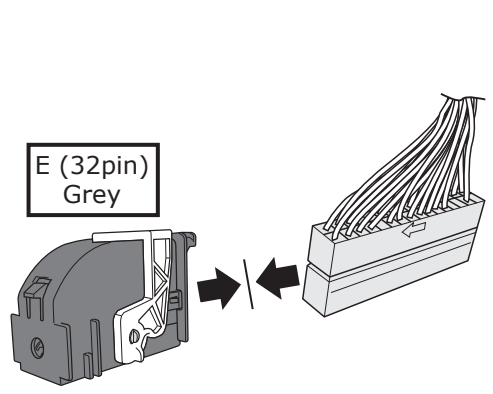




13

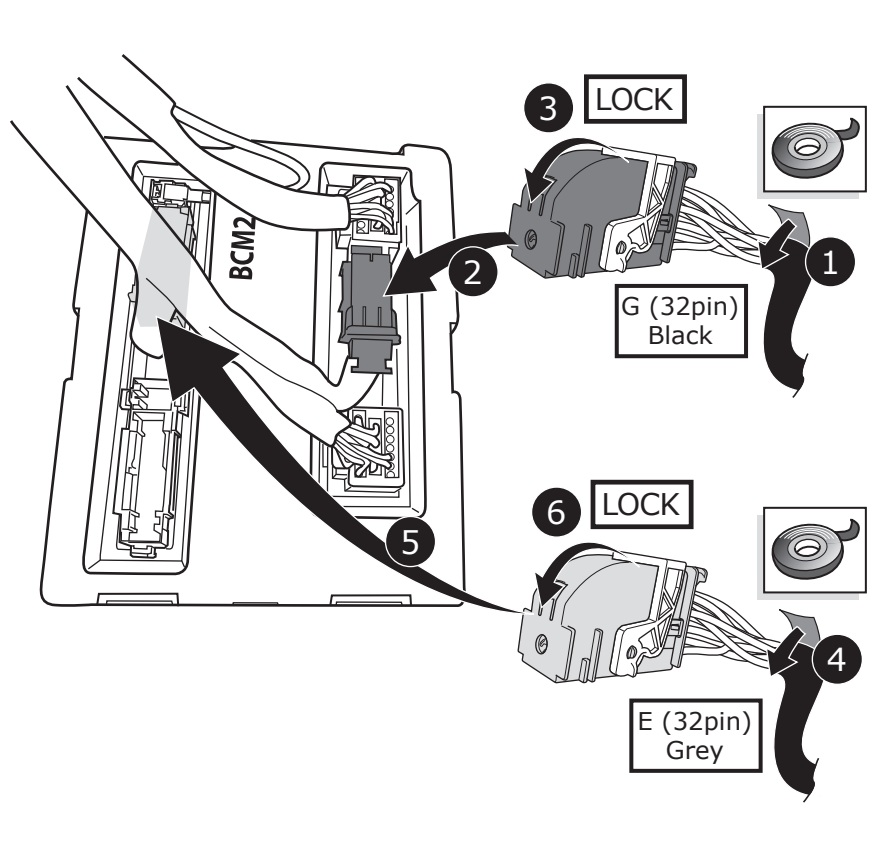
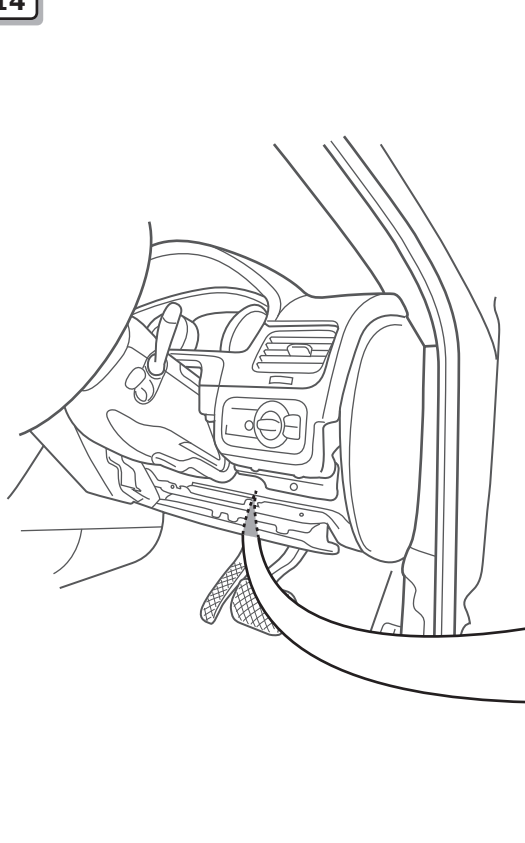


1

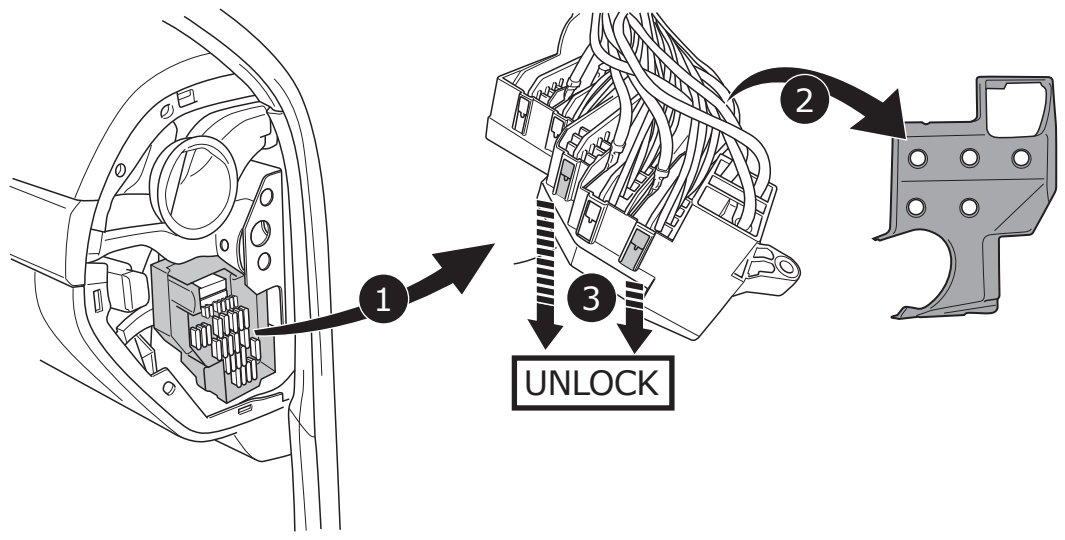


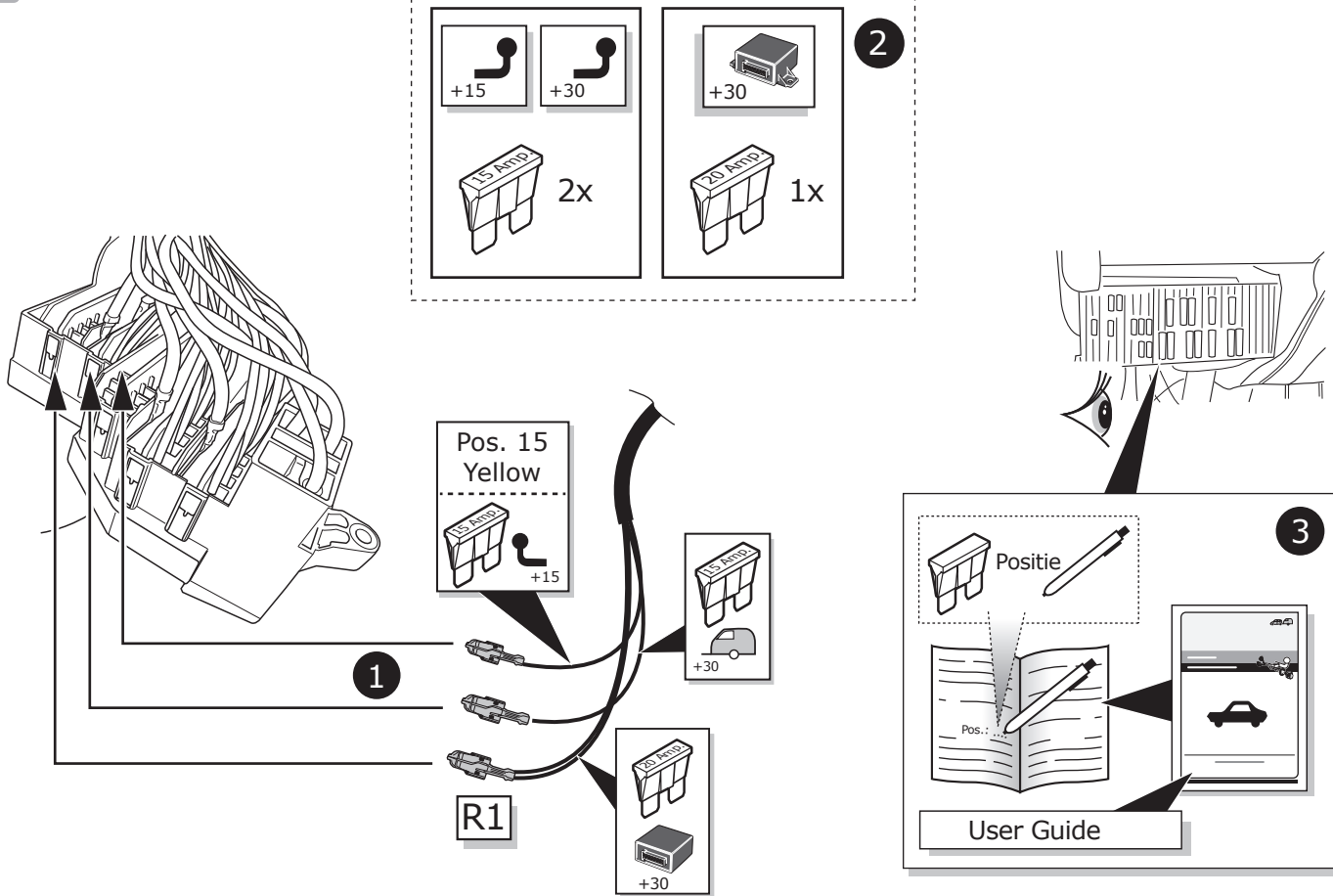
2

14

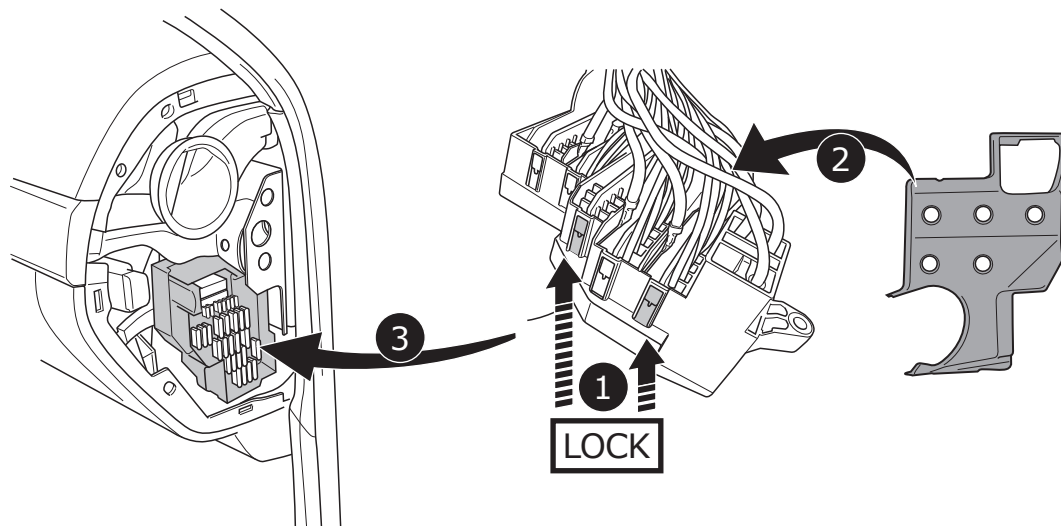
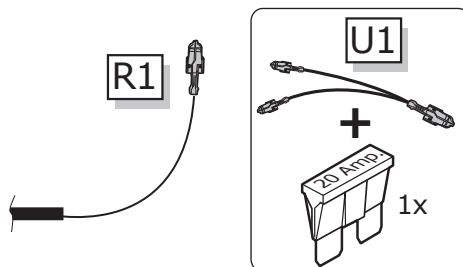


15

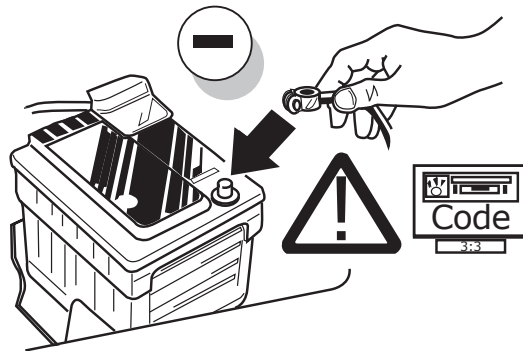




If Positions are taken:



18



19

A VAG Service Tester must be used to code the vehicle's Gateway with the additional function for the towing hitch at the dealer.

20

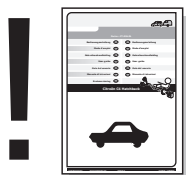
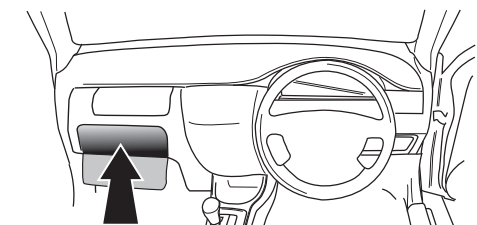


TEST ALL THE CIRCUITS WITH A TEST DEVICE WITH THE CORRECT POWER LOAD FOR EACH FUNCTION. A TEST DEVICE WITH LED'S CANNOT BE USED FOR THIS PURPOSE.

INFO

REINSTALL TRIM.

21



**User guide**

A graphic for technical support. It features a large headset icon in the center. Above the headset, the text reads 'CALL 07440 202 052'. Below the headset, it says 'MONDAY TO FRIDAY 08.00 - 11.00 am 12.00 - 05.00 pm'. At the bottom left is the 'ECS ELECTRONICS' logo. At the bottom right, it provides the email 'tekstner@ecs-electronics.com' and the website 'www.ecs-electronicsuk.co.uk'. A diagonal banner in the top left corner says 'TECHNICAL SUPPORT'.

## SOCKET CONNECTION

DIN/ISO 11446													
	1/L	2	3/31	4/R	5/58-R	6/54	7/58-L	8	9	10	11	12	13
Pmax	21W	21W		21W	42W	3x21W	42W	21W	180W/15Amp	180W/15Amp			
Colour	Black/ White	Blue	Brown	Black/ Green	Grey/ Red	Black/ Red	Grey/ Black	Black	Red	Yellow	Brown	-	Brown