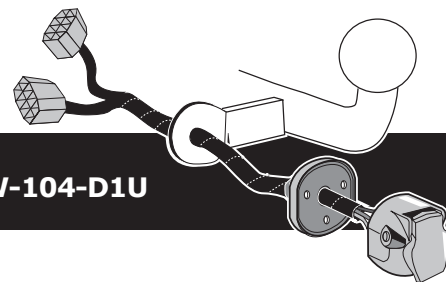




VW Golf V 2003→ / VW Golf Plus 2005→ / VW Golf V Variant 2007→  
VW CrossGolf 2007→ / VW Golf VI 2008→ / VW Golf VI Cabrio 2012→  
VW Golf VI Variant 2009→ / VW Golf VI Plus 2009→ / VW Jetta 2005→ / VW Jetta 2011→  
VW Tiguan 2007-2009 / VW Tiguan 2010-2011 / VW Tiguan 2012→  
VW Eos 2010→ / VW Eos 2011→  
Audi A1 08/2010→ / Audi A1 Sportback 02/2012→

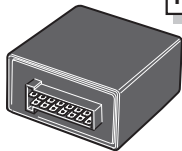
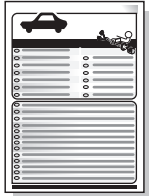
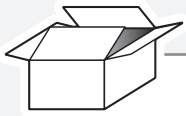


Partnr.: VW-104-D1U

- Fitting instructions electric wiring kit tow bar with 13-P socket up to DIN/ISO Norm 11446.
- We would expressly point out that assembly not carried out properly by a competent installer will result in cancellation of any right to damage compensation, in particular those arising by virtue of the product liability act.
- Contents of these kits and their fitting manuals are subject to alteration without notice, please ensure that these instructions are read and fully understood before commencing installation.
- Do not overload circuits; the maximum loads per connection are detailed in this manual.
- Attention! Before Installation, please read this manual carefully and inform your customer to consult the vehicle owners manual to check for any vehicle modifications required before towing.
- In the event of functional problems, troubleshooting must be limited to about 0.5 hours, contact the technical support:  
[t.skinner@ecs-electronics.com](mailto:t.skinner@ecs-electronics.com) / 07440 202 052.



# Part list



M

L



I

N

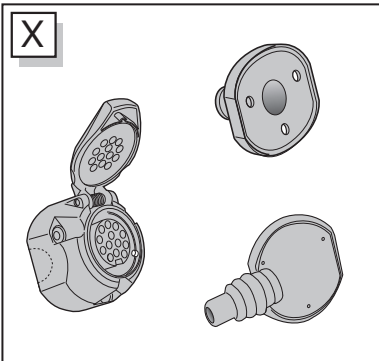


O

T



1x



X

Option! \*

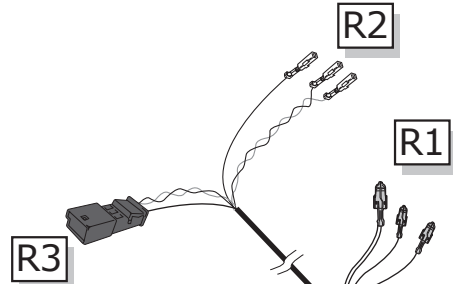


PARK DISTANCE CONTROL



PARK DISTANCE CONTROL

For not OEM P.D.C. System use the: VW-083-ZZ



R2

R1

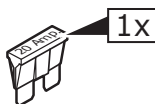
R3

M

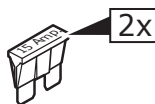
\* OPTION P.D.C.

G

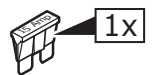
X



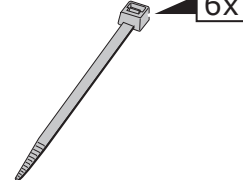
1x



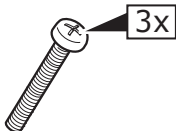
2x



1x



6x



3x



3x



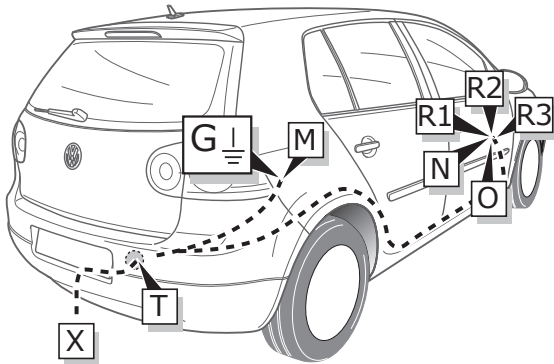
1x



1x

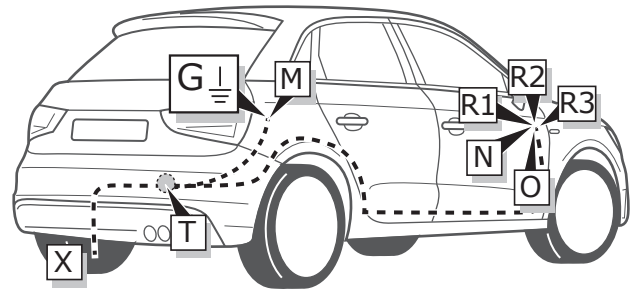
### Golf V / Golf VI / Golf VI Cabrio

#### ROUTING



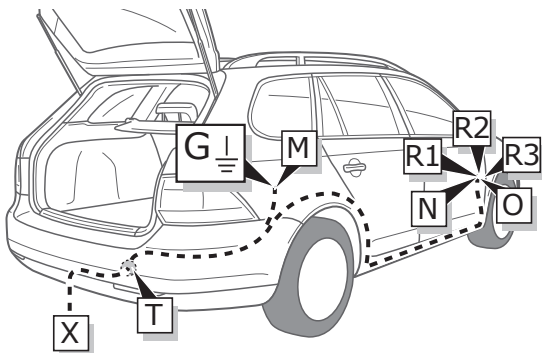
### Audi A1

#### ROUTING



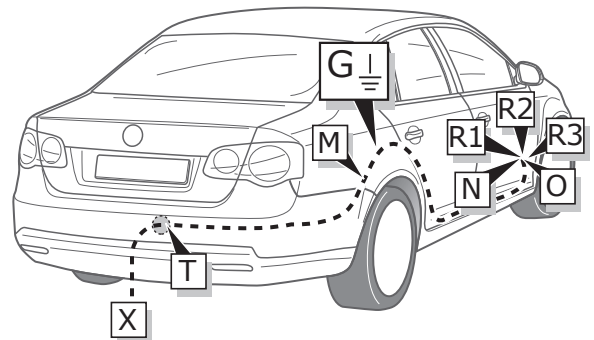
### Golf V Variant / Golf VI Variant

#### ROUTING



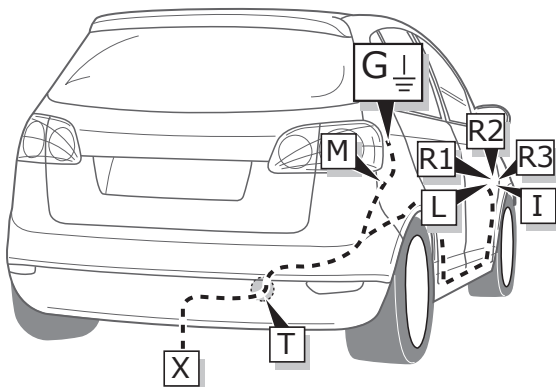
### Jetta

#### ROUTING



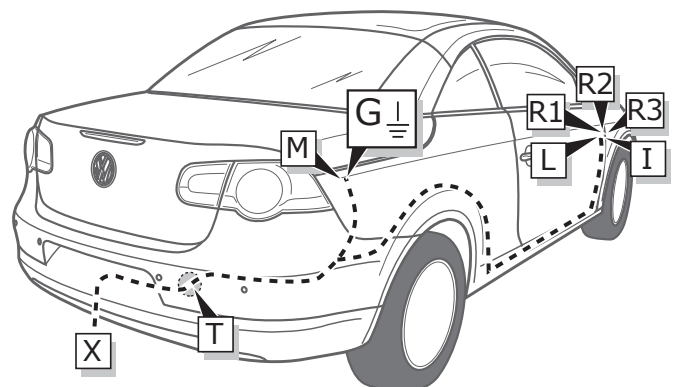
### Golf V Plus / CrossGolf / Tiguan / Golf VI Plus

#### ROUTING



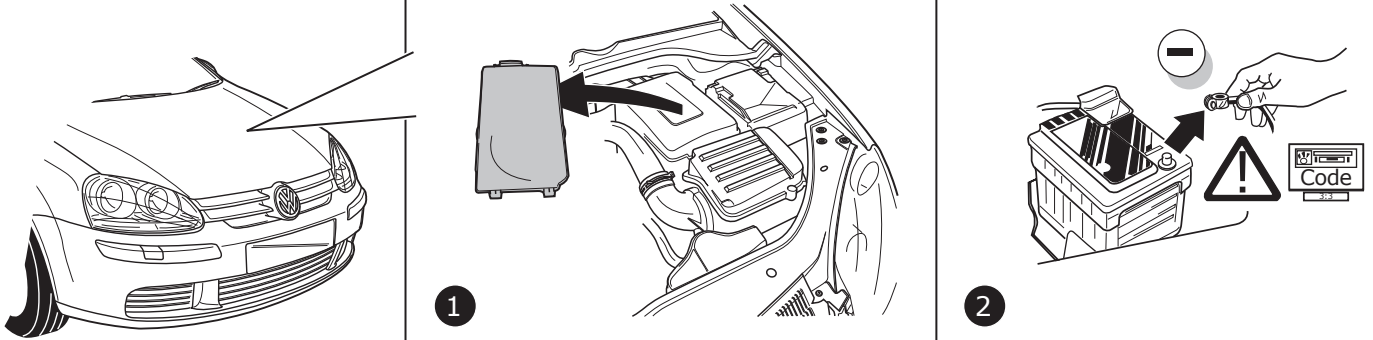
### Eos

#### ROUTING

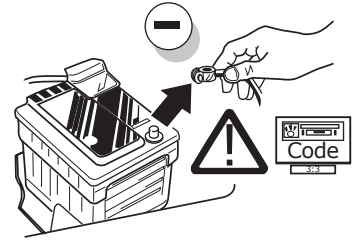


All Models

1

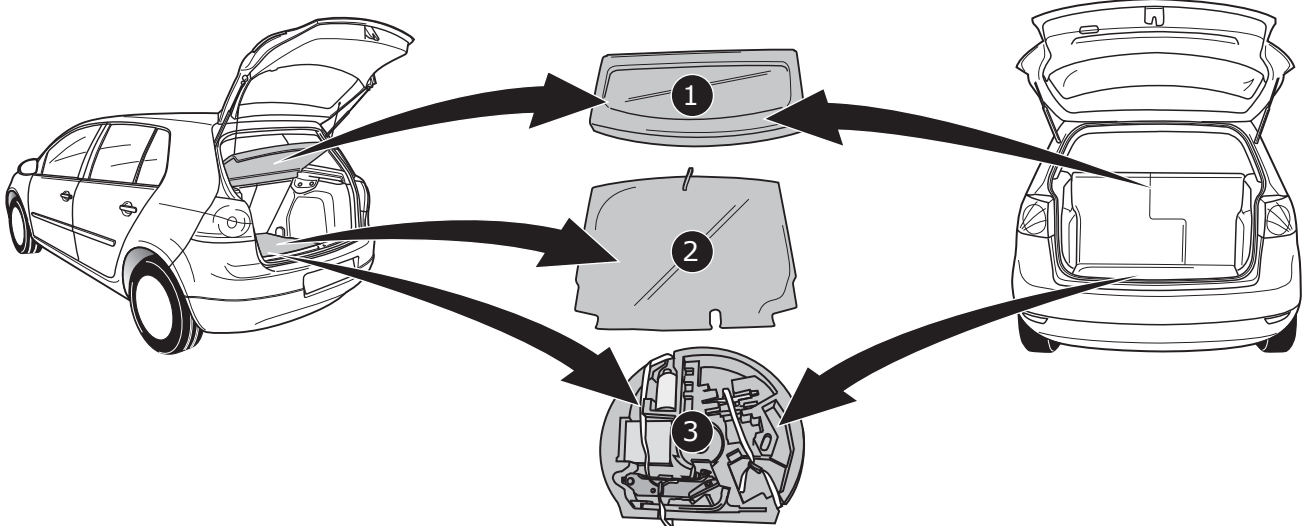


2



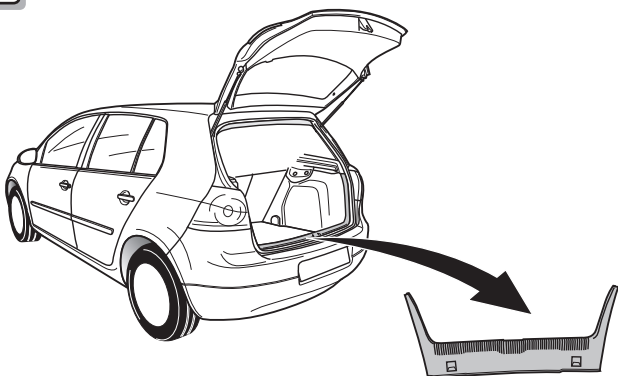
Golf V / Golf VI / Golf VI Cabrio / Golf V Plus / CrossGolf / Golf VI Plus / Audi A1

2



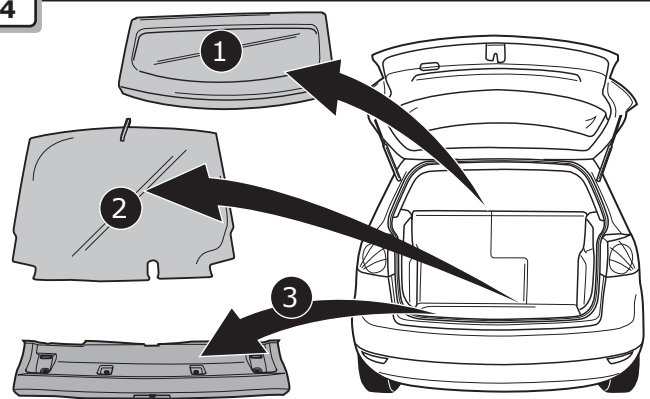
Golf V /Golf VI / Golf VI Cabrio

3



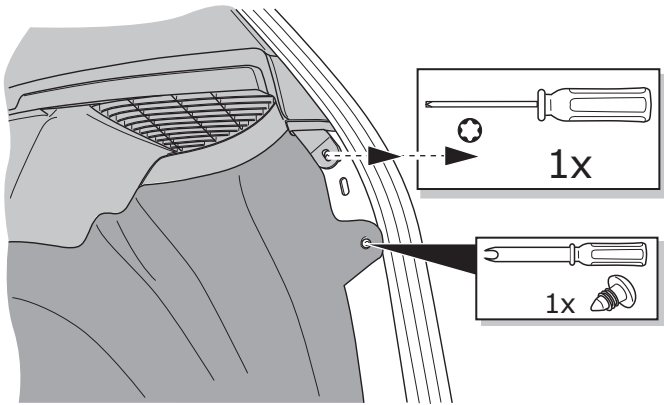
Tiguan

4

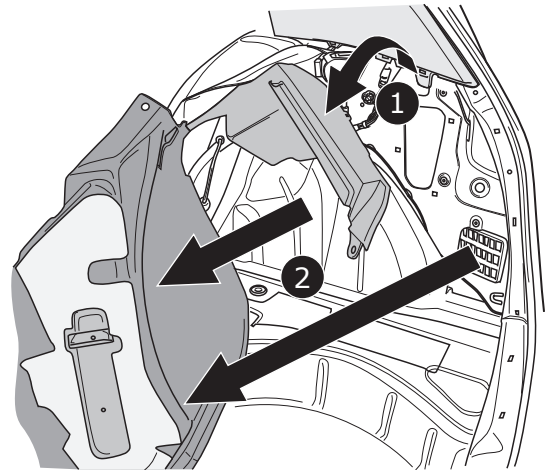


Golf V / Golf VI / Golf VI Cabrio / Golf V Plus / CrossGolf

5

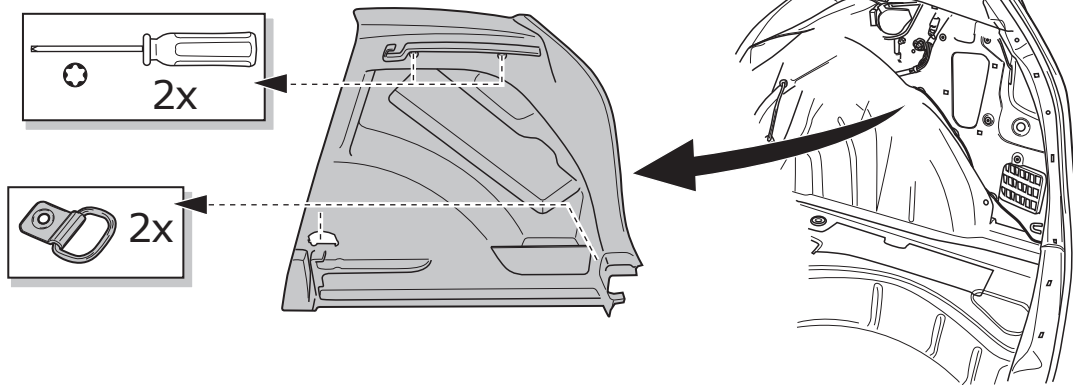


6



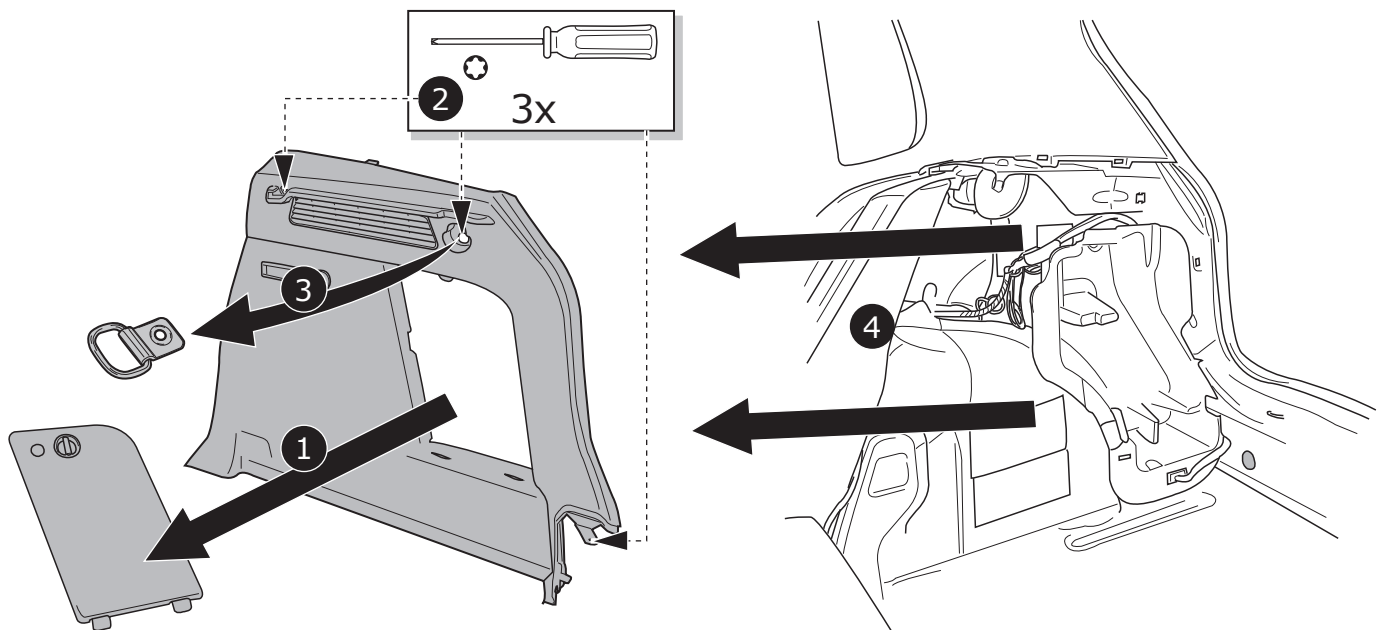
Golf VI Plus / Audi A1

7



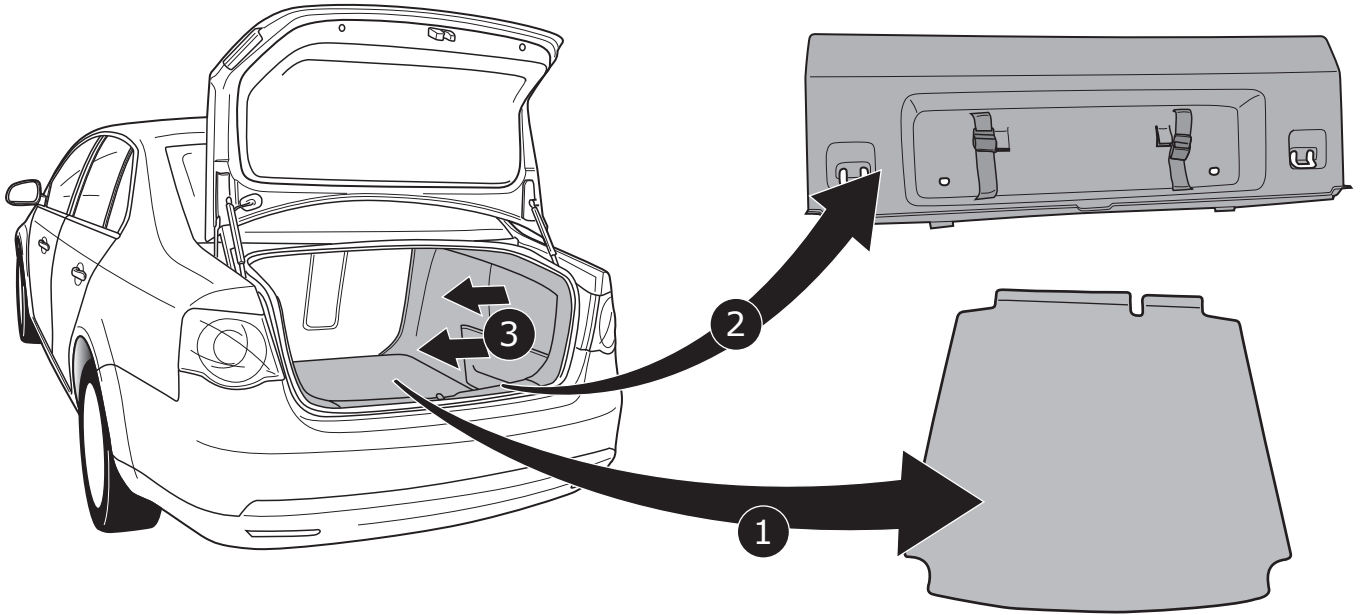
Tiguan

8



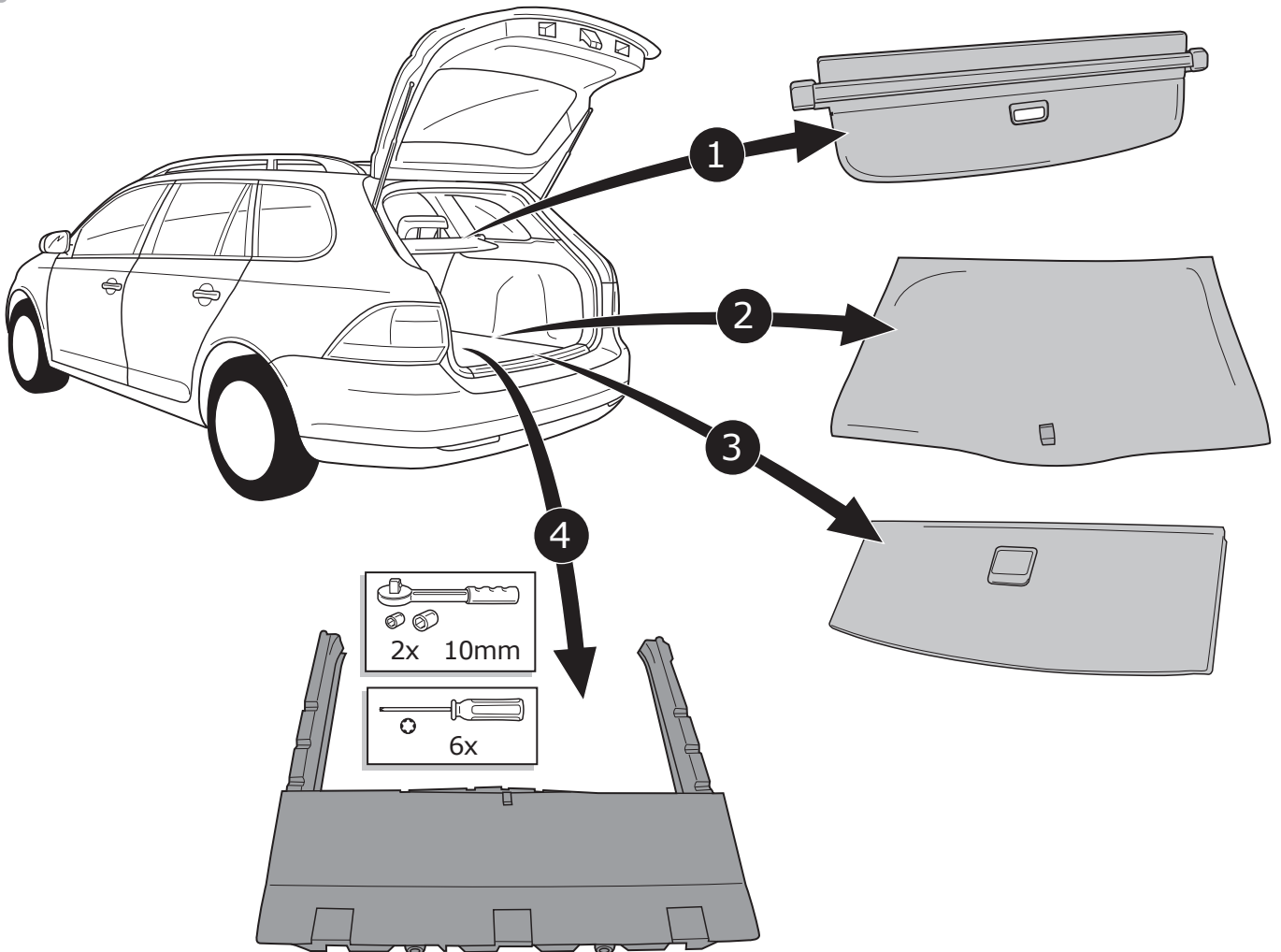
# Jetta

9

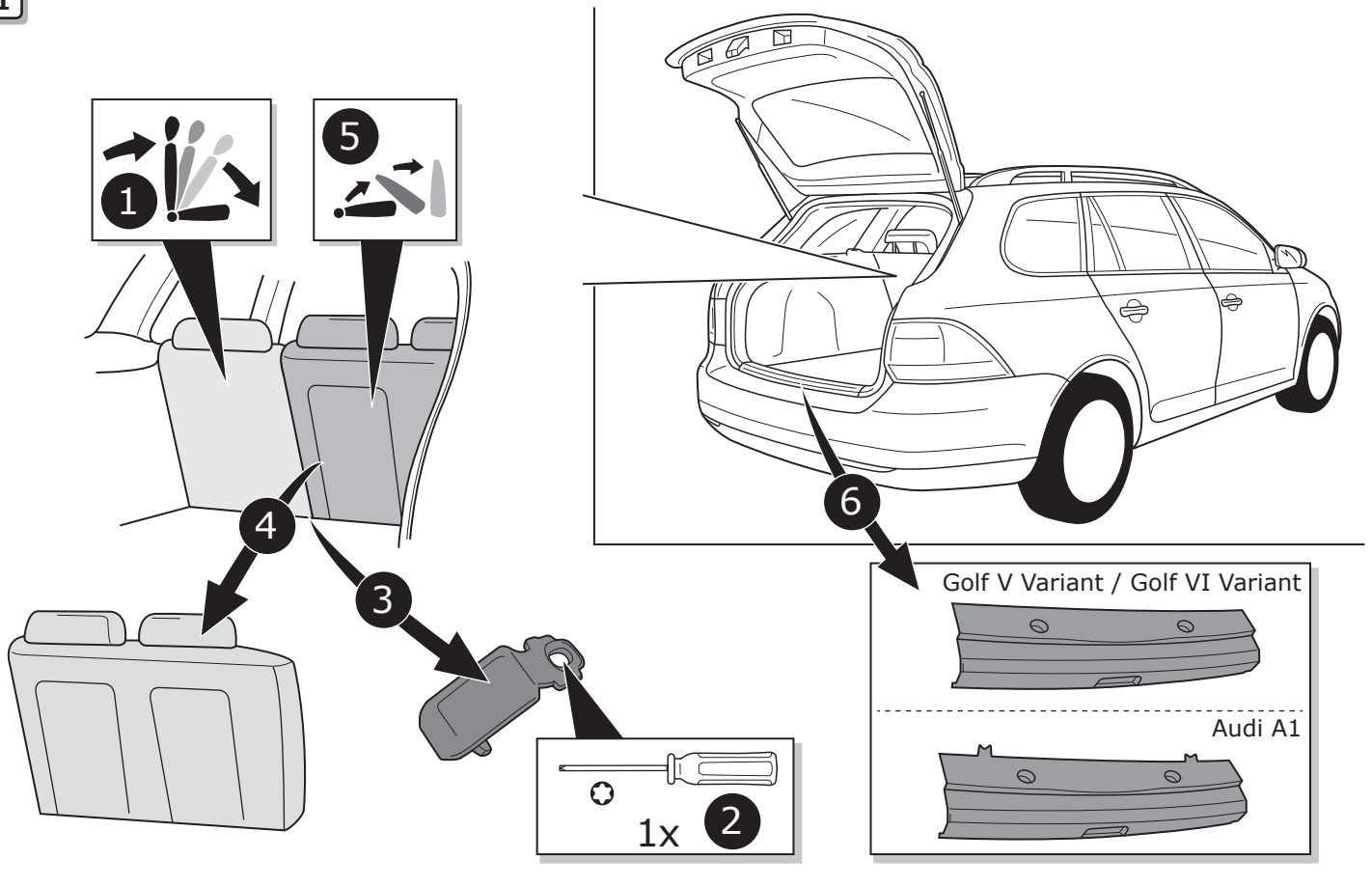


# Golf V Variant / Golf VI Variant

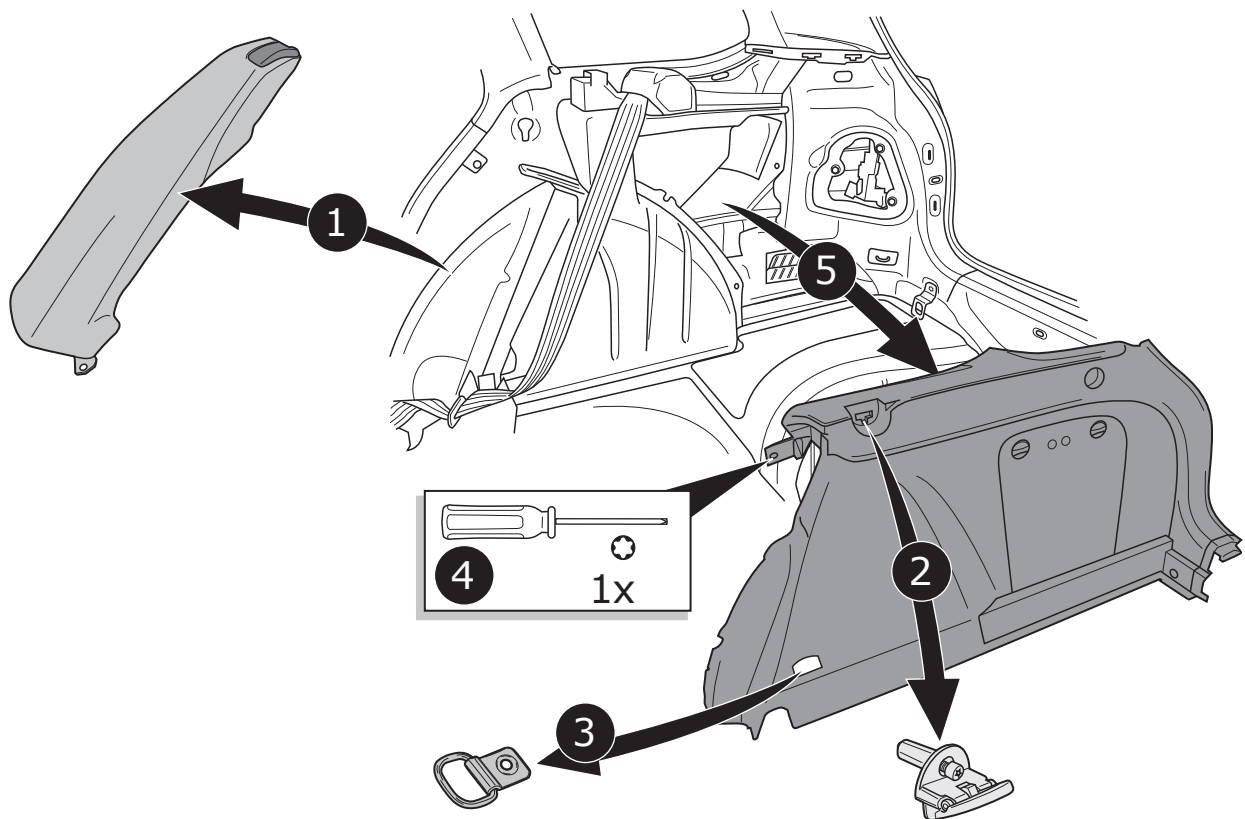
10



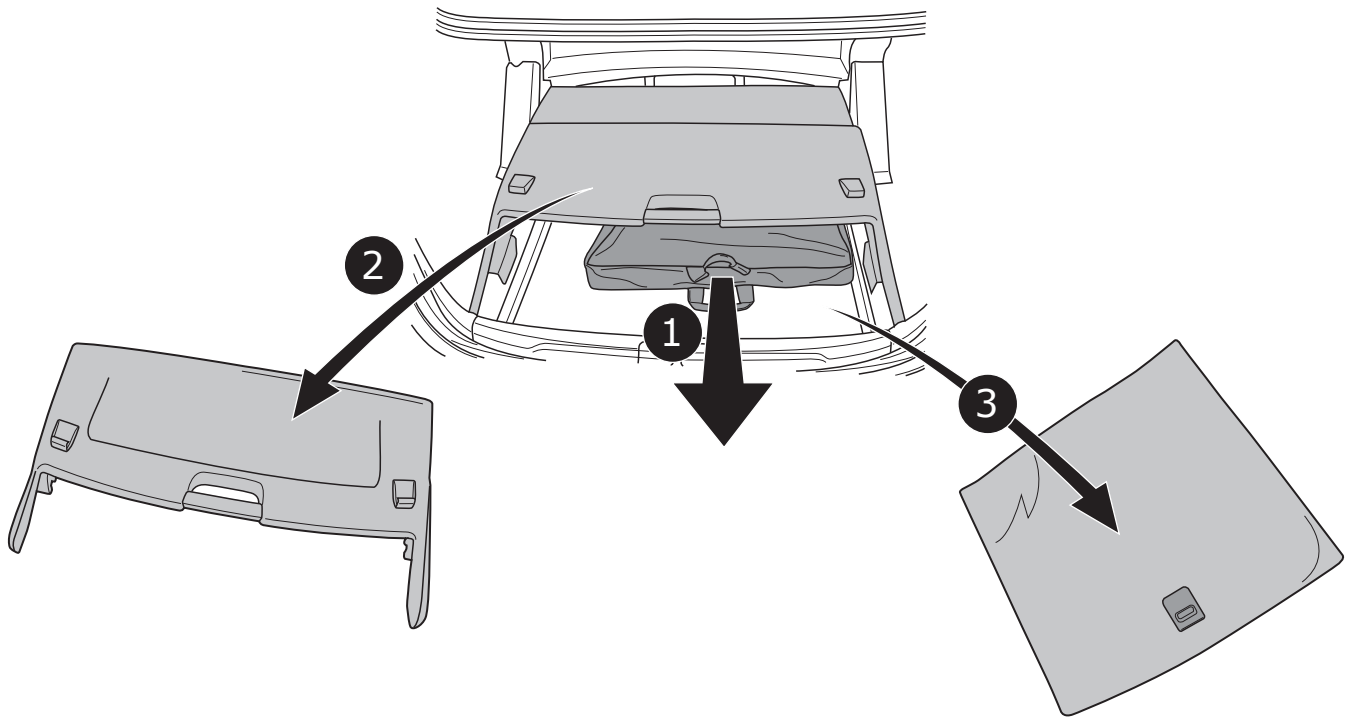
11



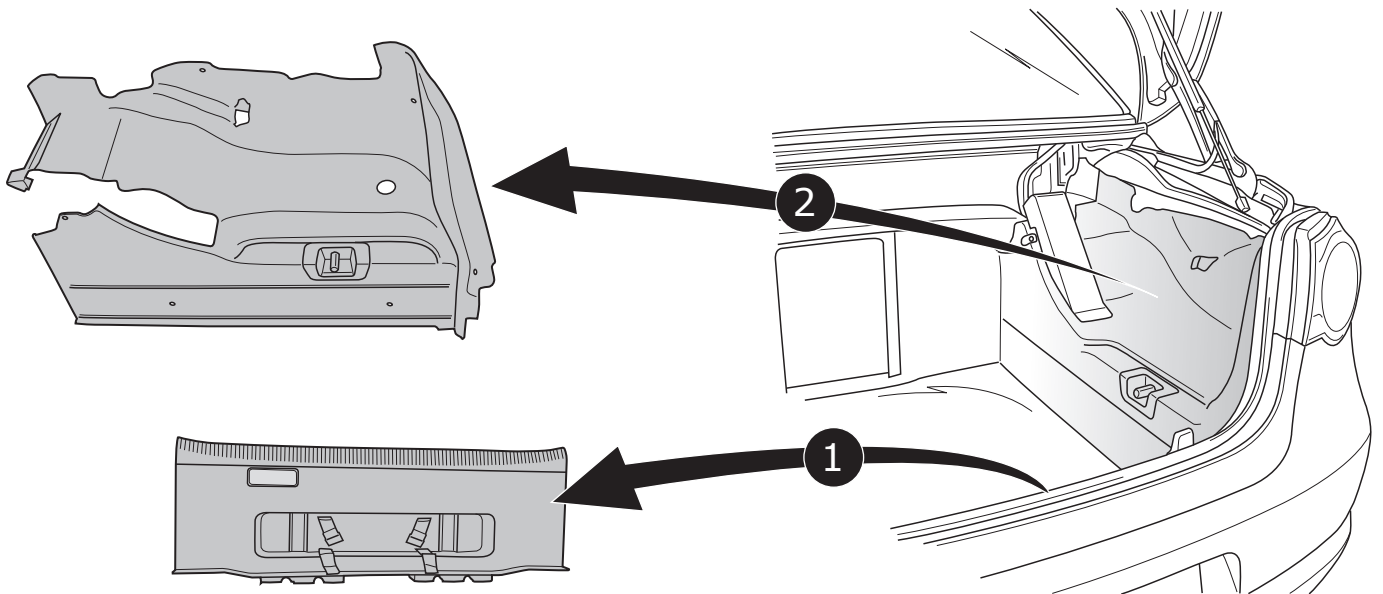
12



13

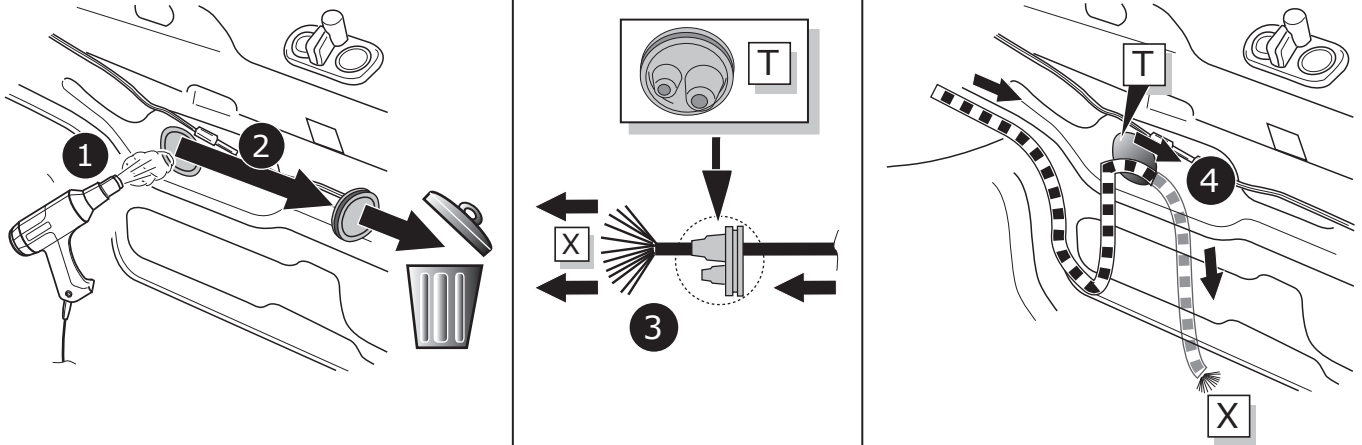


14



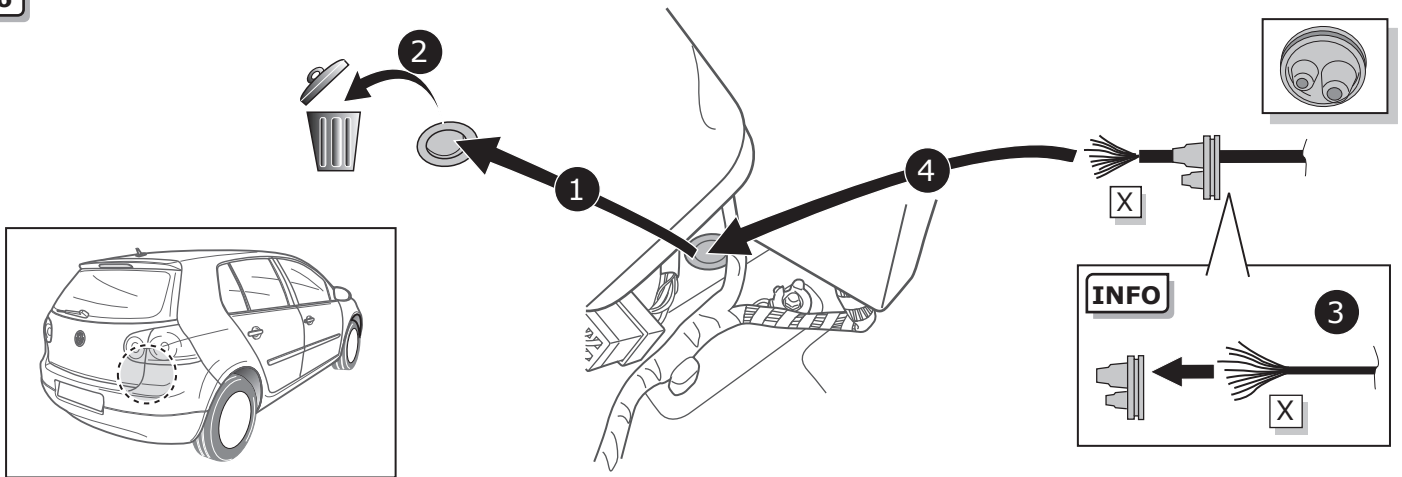


15



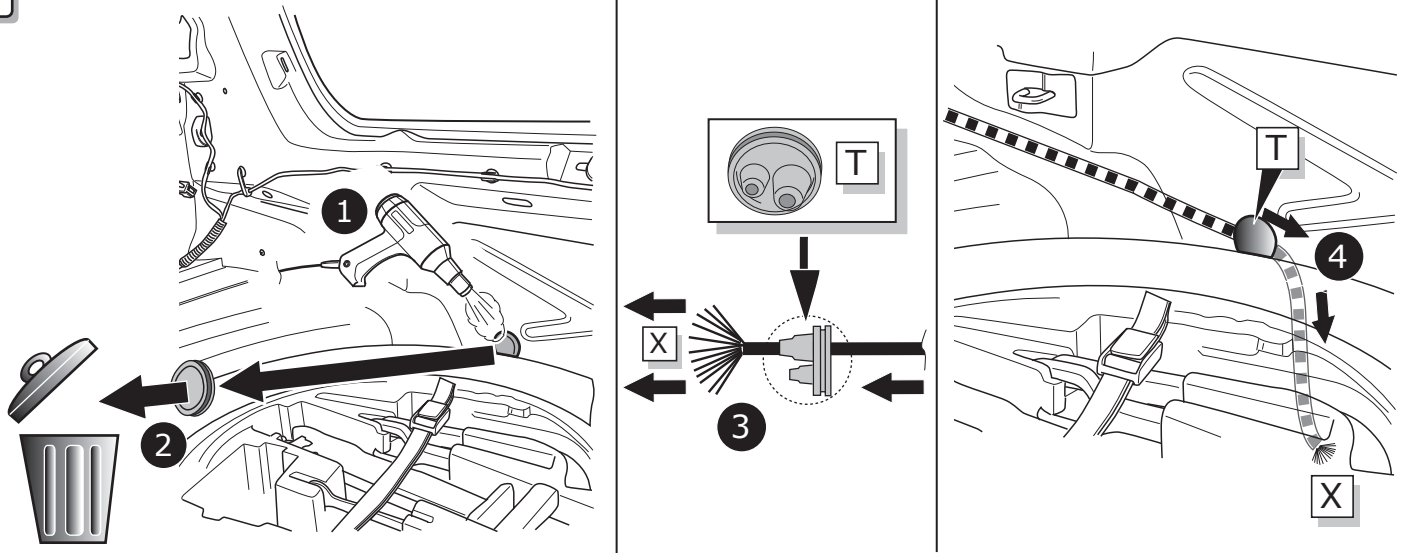
Golf VI Cabrio

16



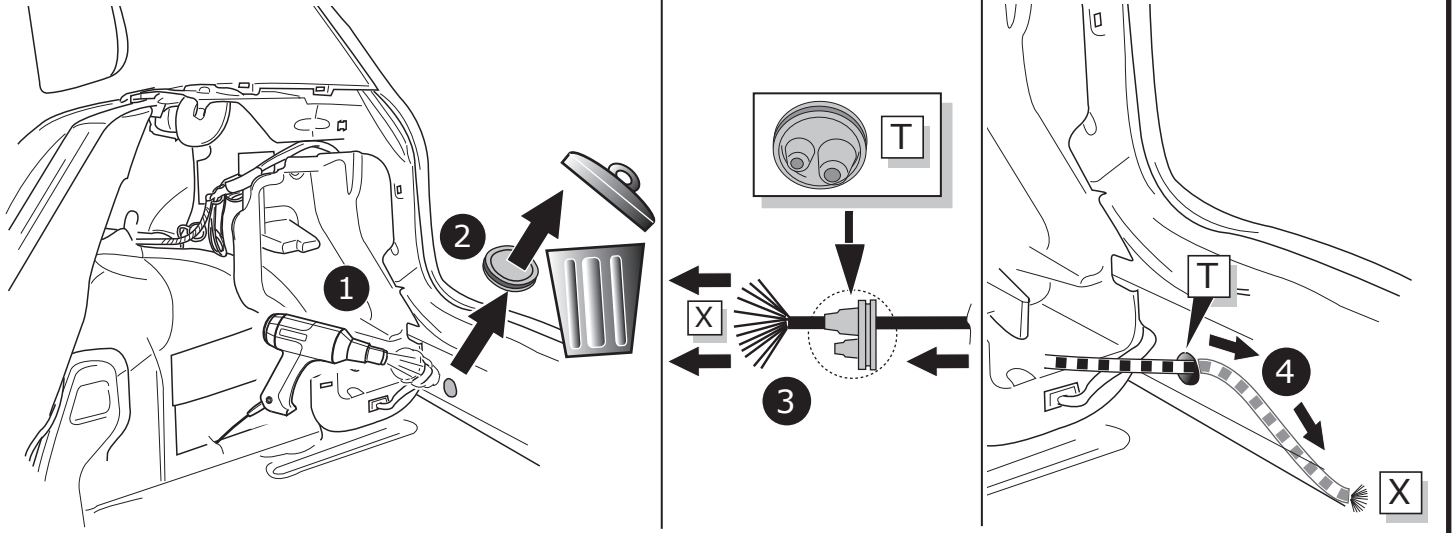
Jetta

17



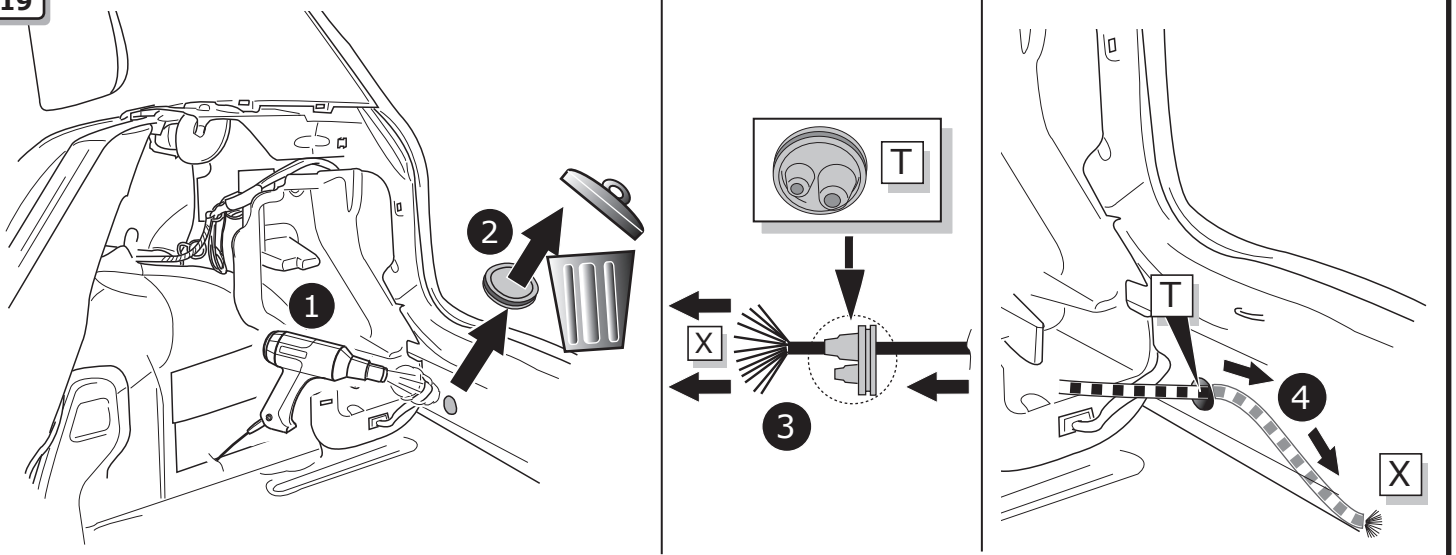
# Tiguan

18



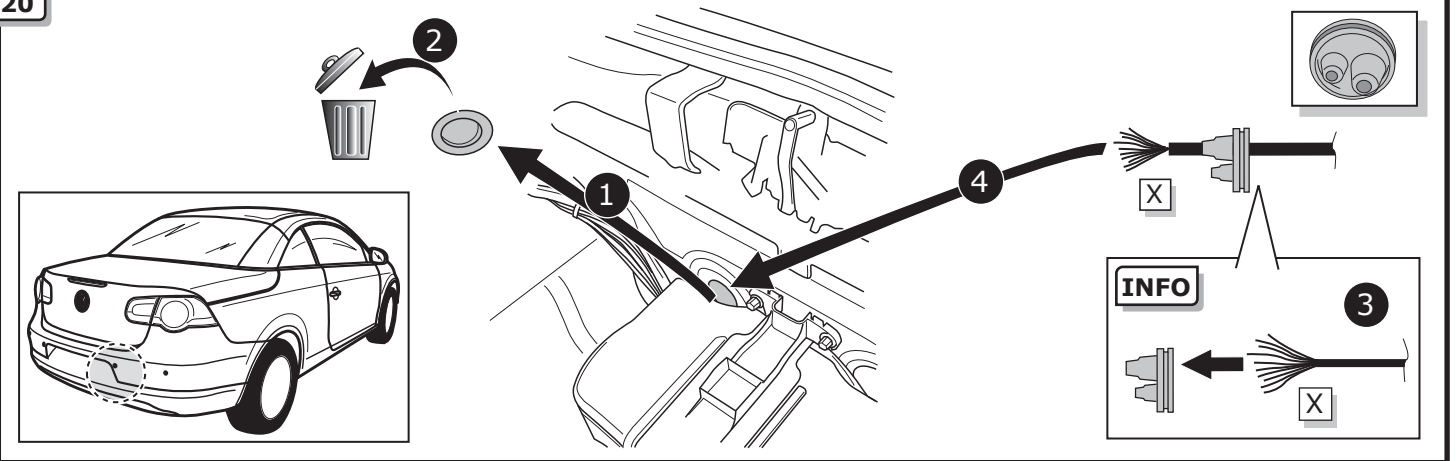
# Audi A1

19

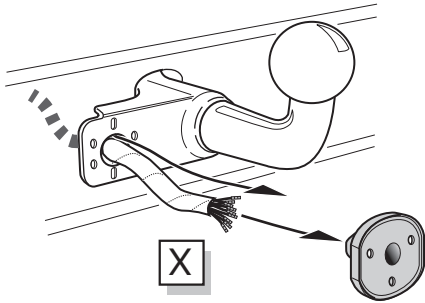


# Eos

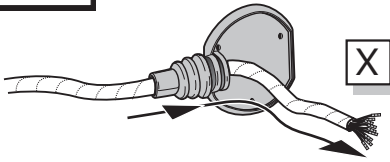
20



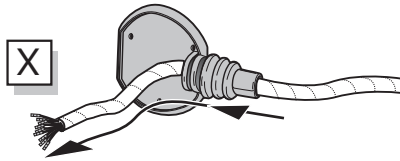
**A** Option 1



Option 2



Option 3



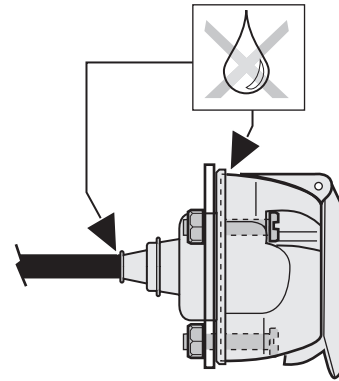
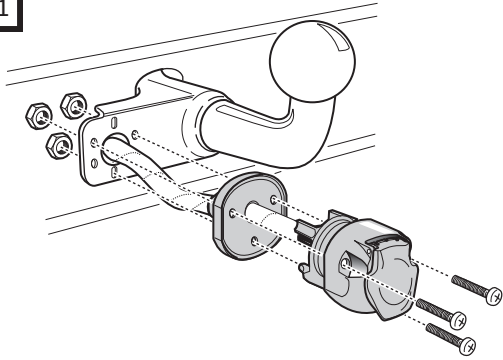
**INFO**

SOCKET CONNECTION



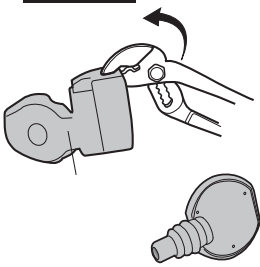
Pag. 28

**B** Option 1

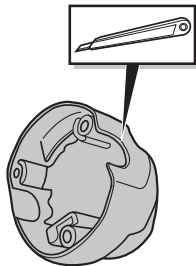


**C** Option 2

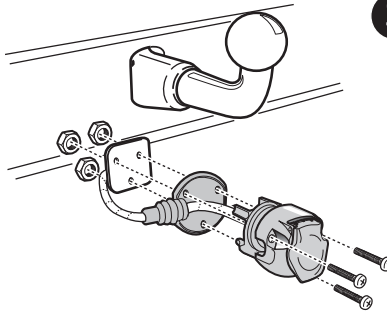
1



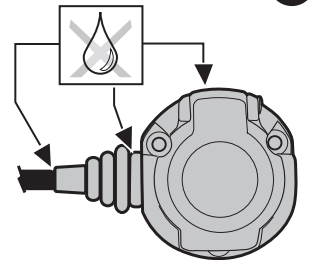
2



3

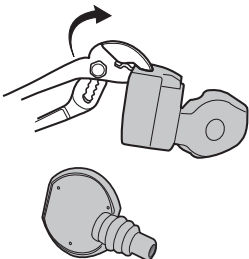


4

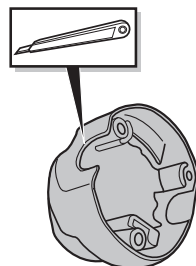


**D** Option 3

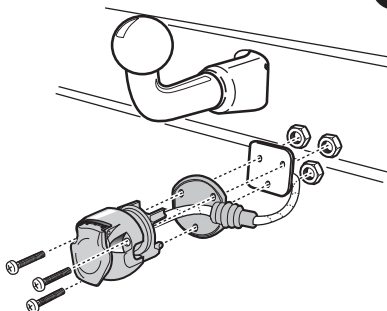
1



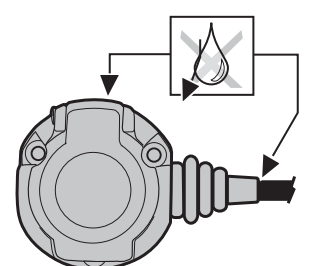
2



3

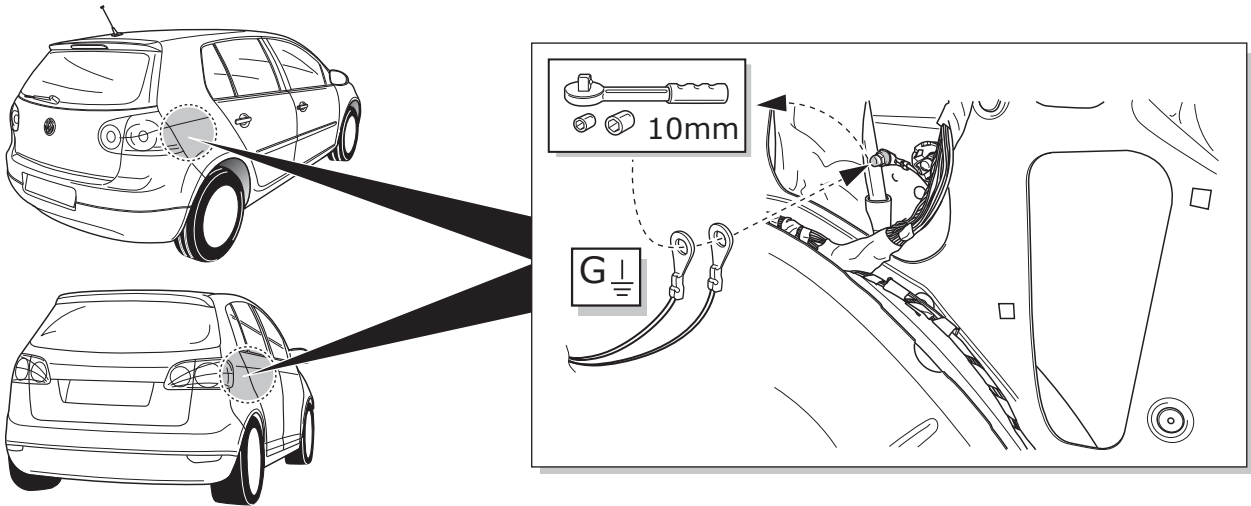


4



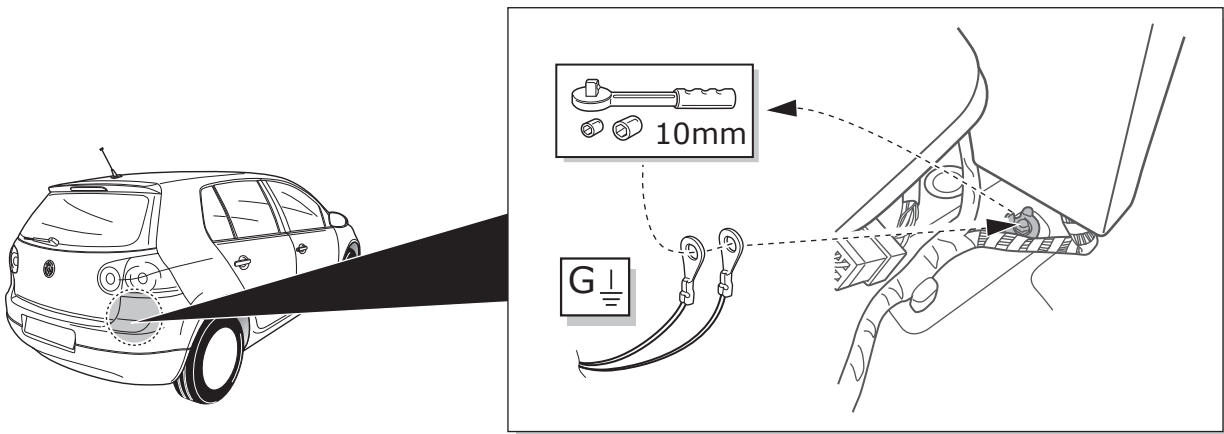
Golf V / Golf VI / Golf V Plus / CrossGolf / Golf VI Plus

21



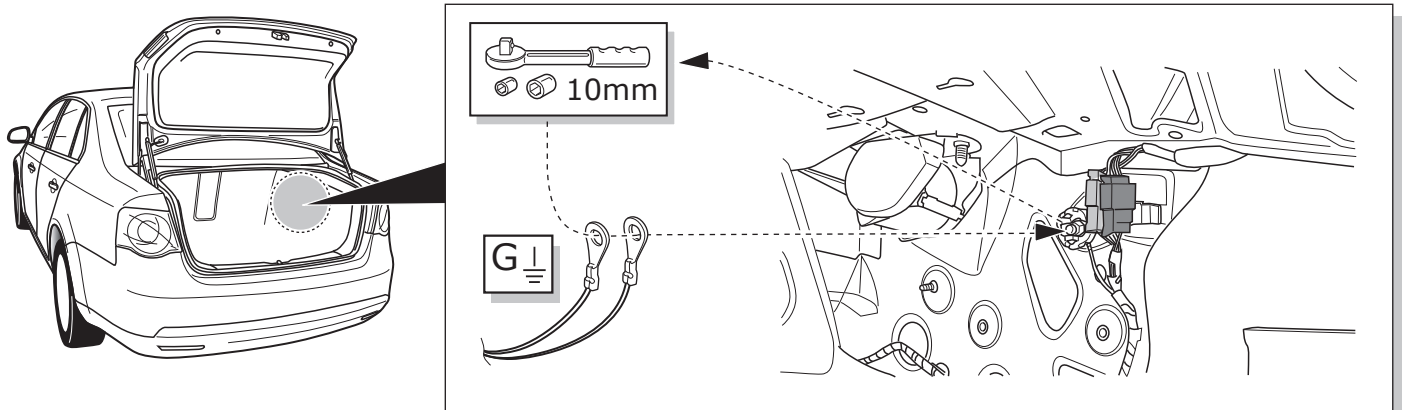
Golf VI Cabrio / Audi A1

22



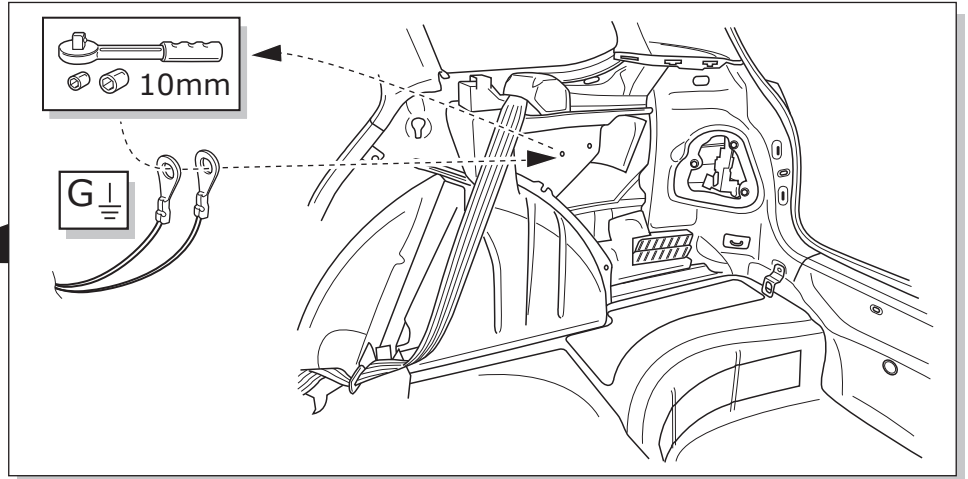
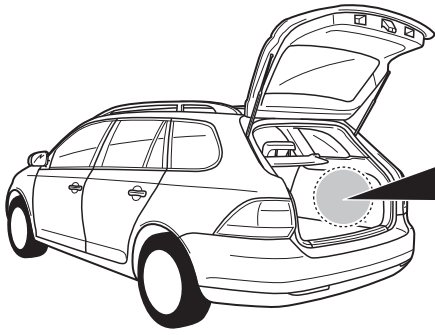
Jetta

23



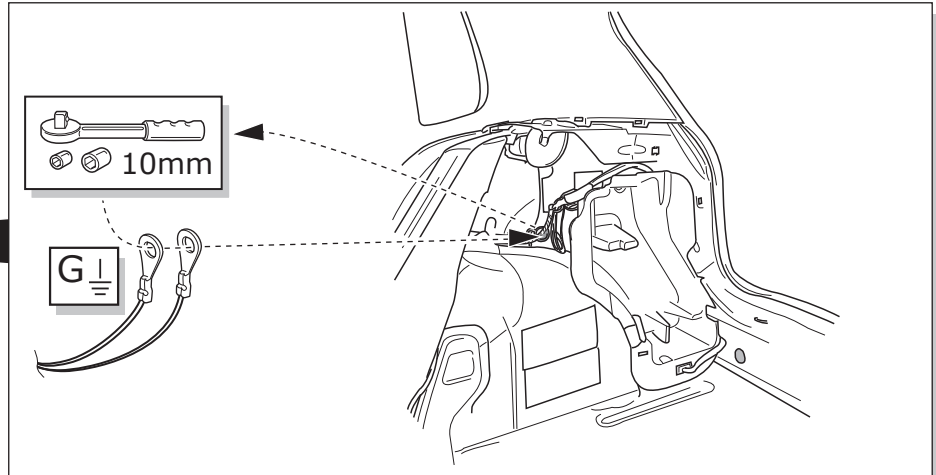
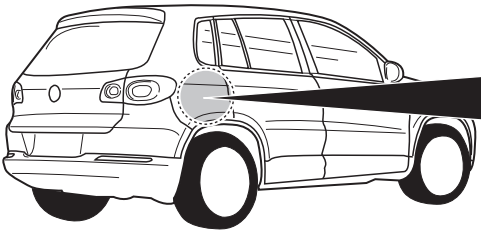
Golf V Variant / Golf VI Variant

24



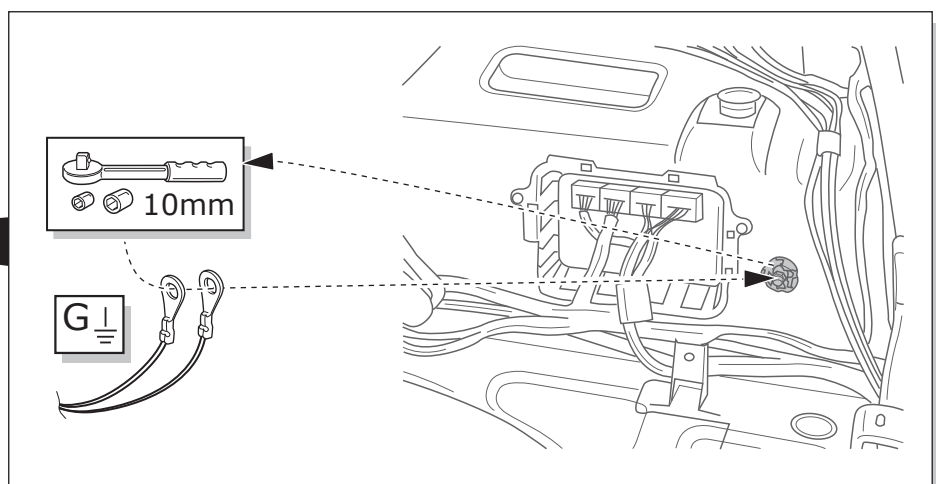
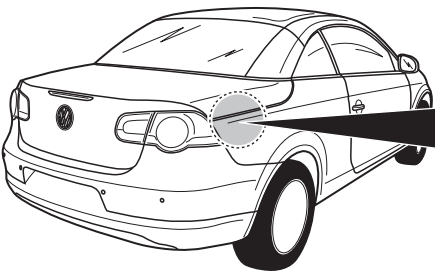
Tiguan

25

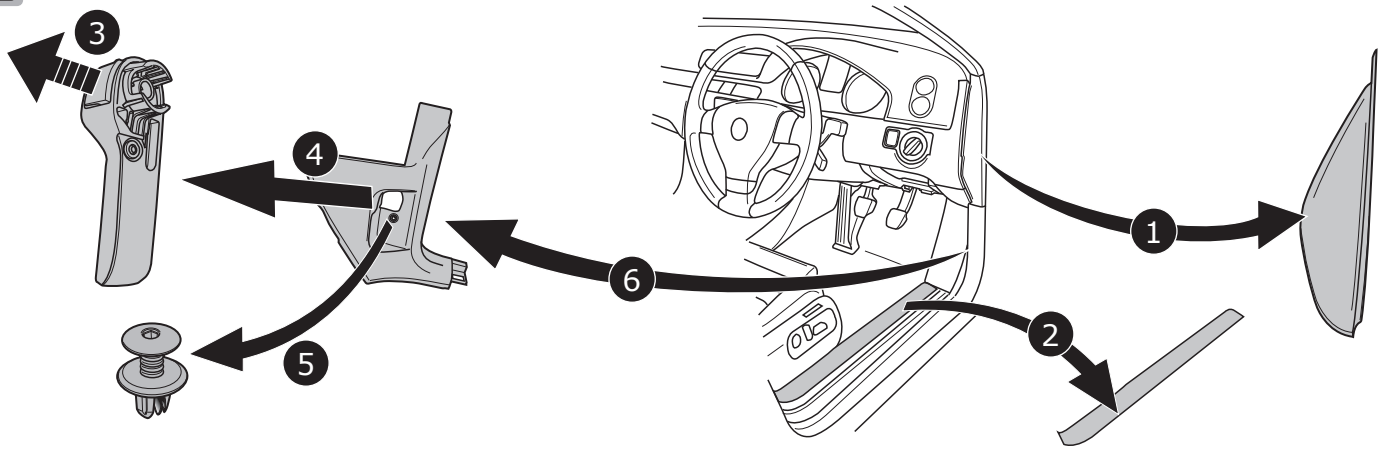


Eos

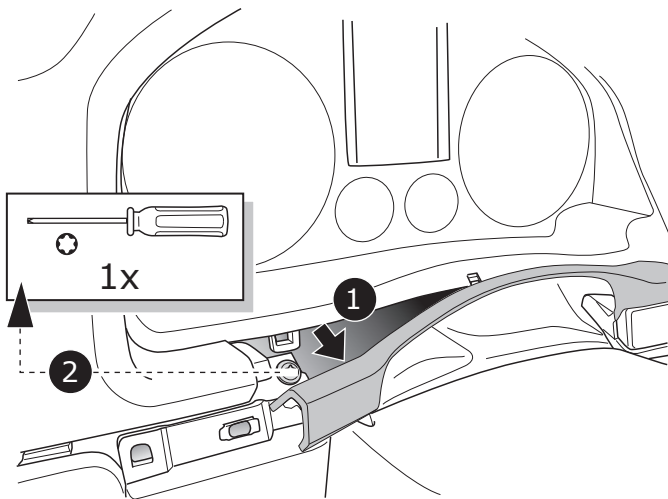
26



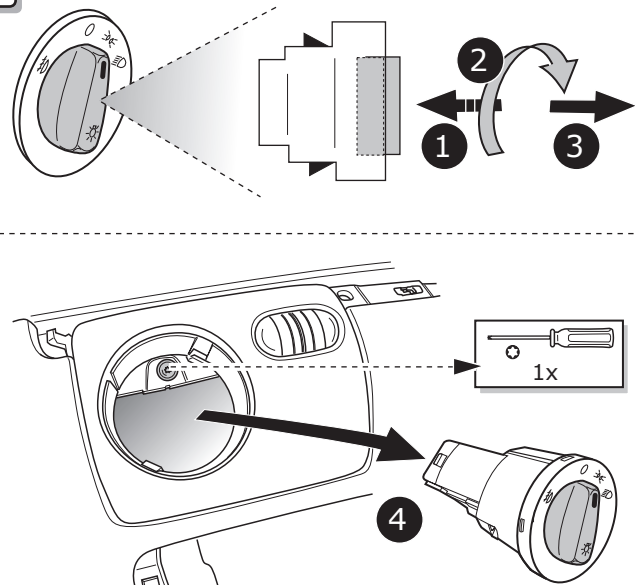
27



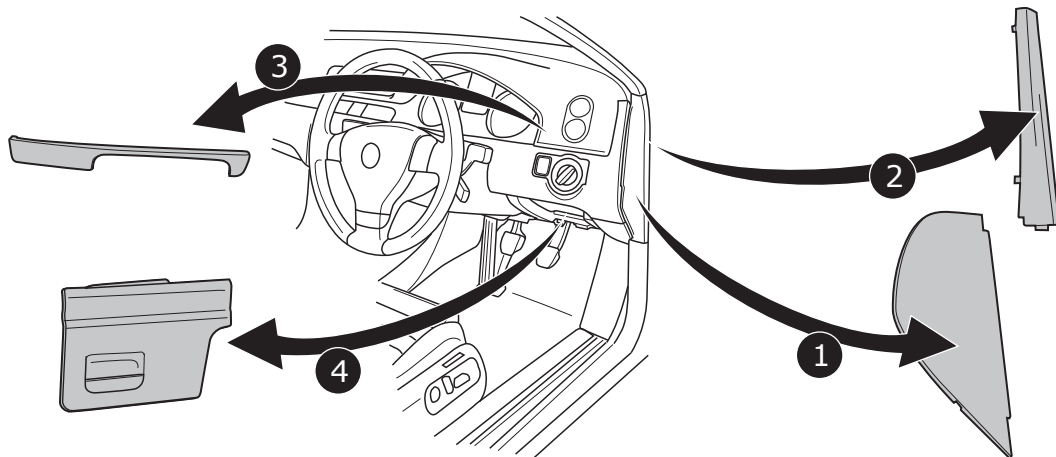
28



29

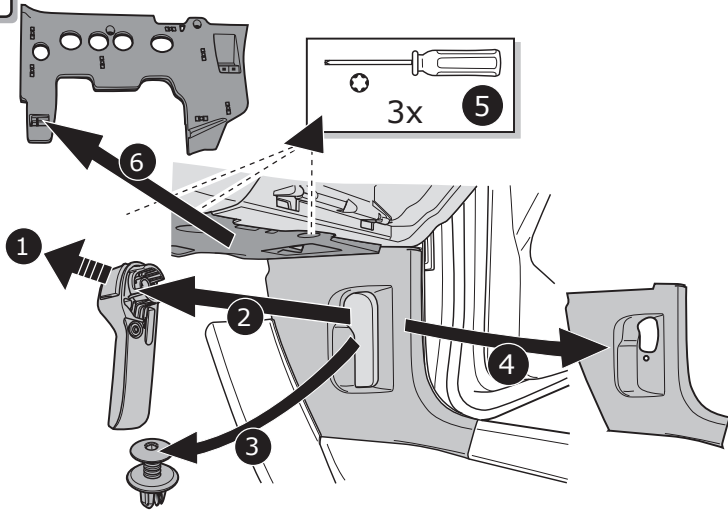


30

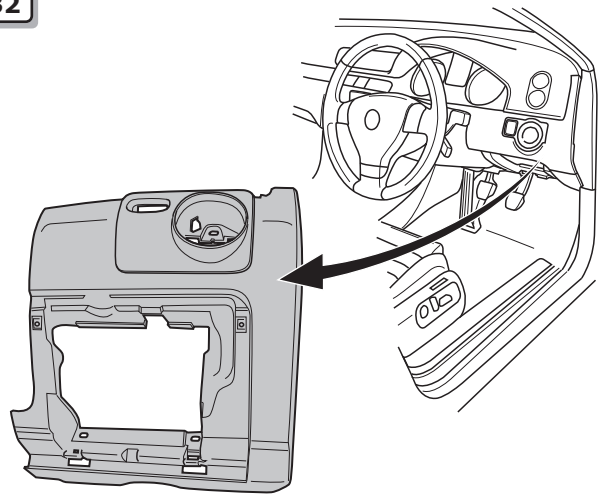


Golf V Variant / Jetta ←2010

31

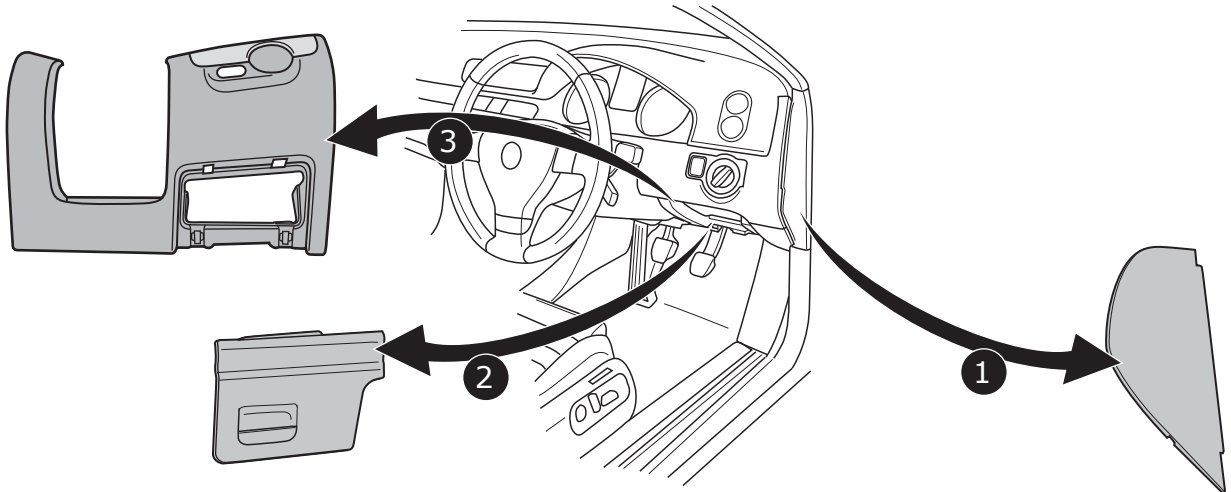


32



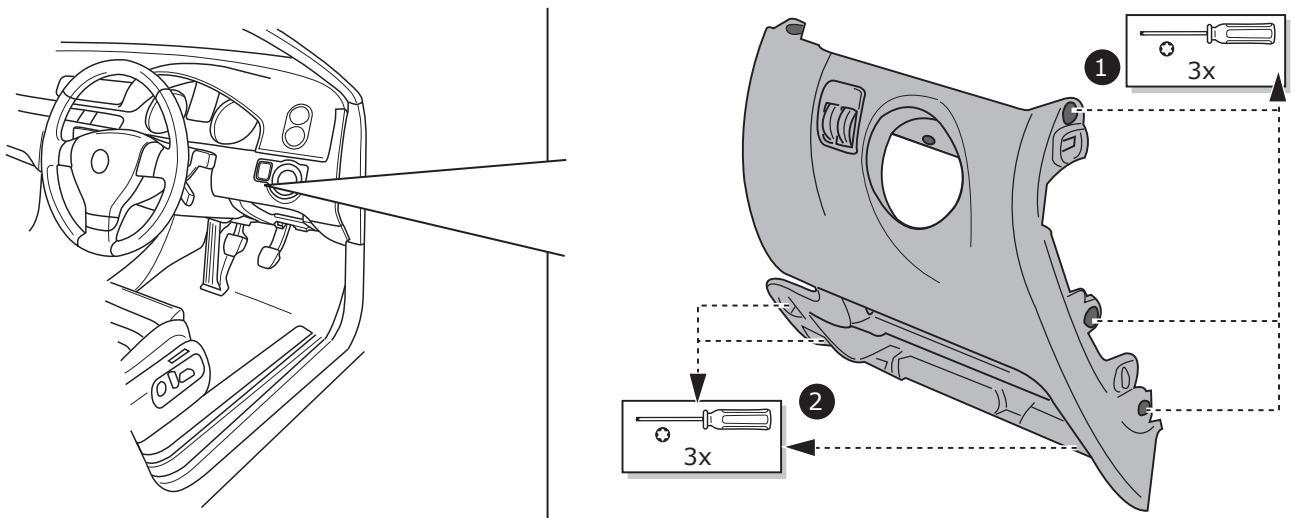
Jetta 2011→

33

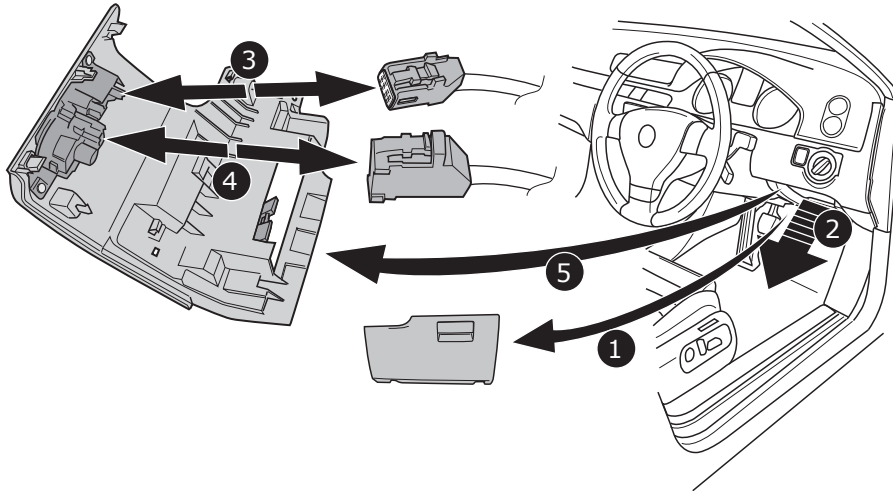


Tiguan

34

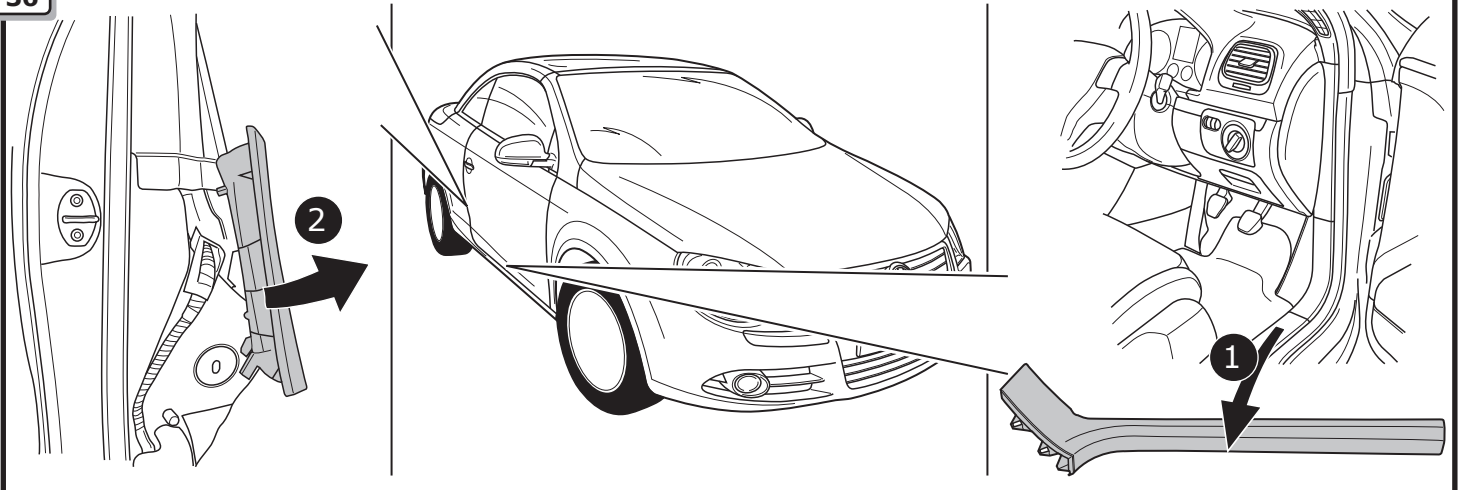


35

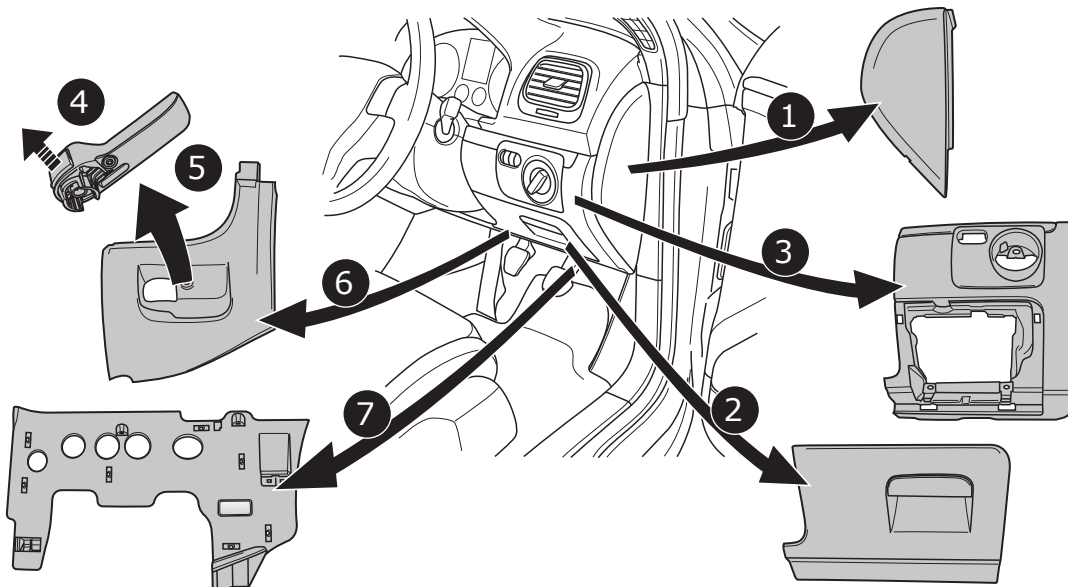


Eos / Golf VI Cabrio

36

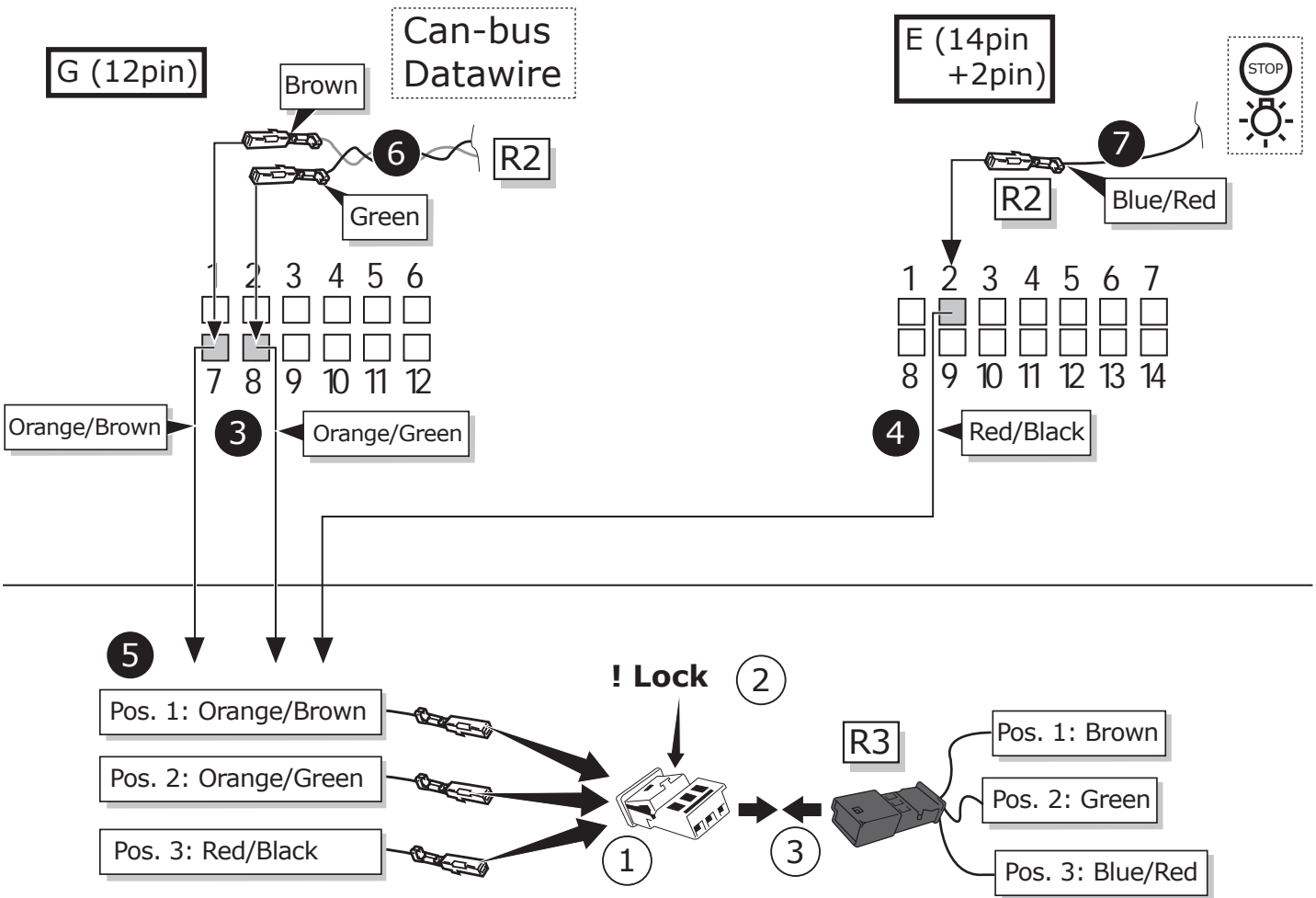
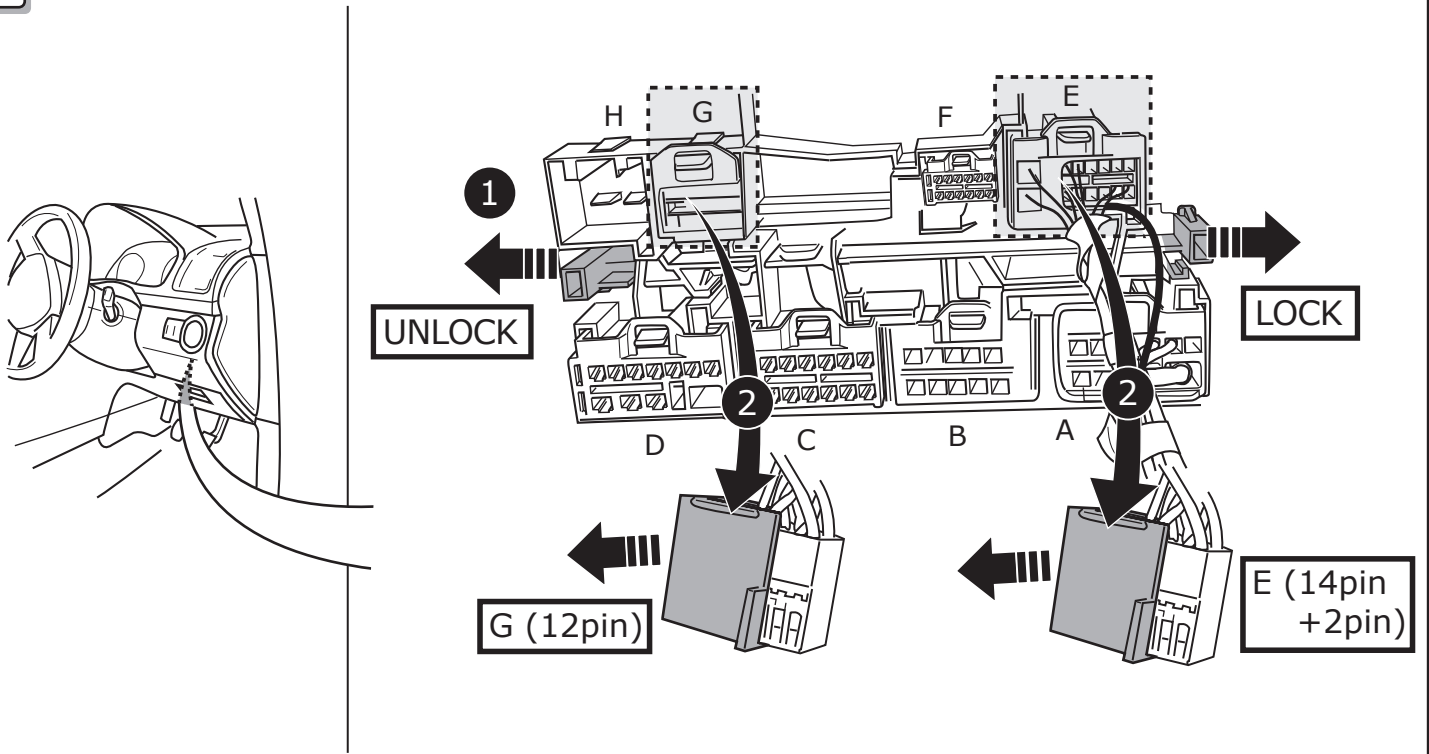


37

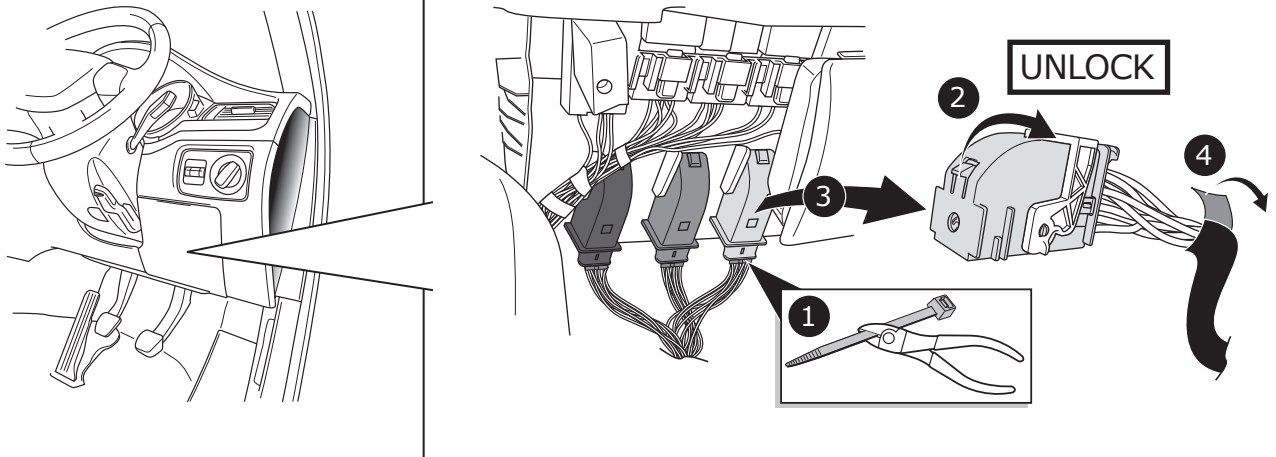




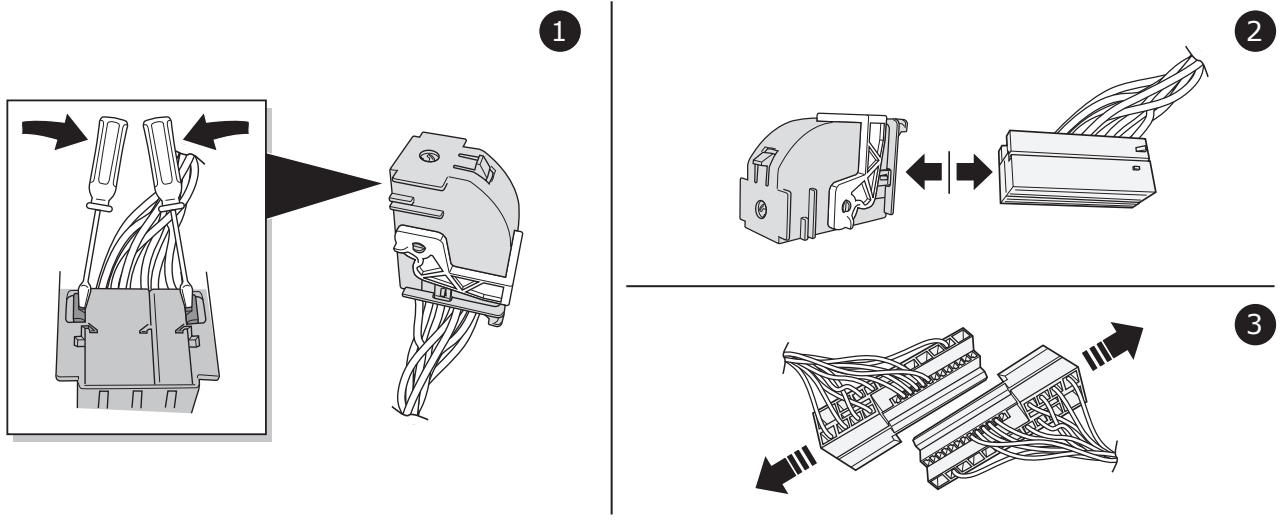
38



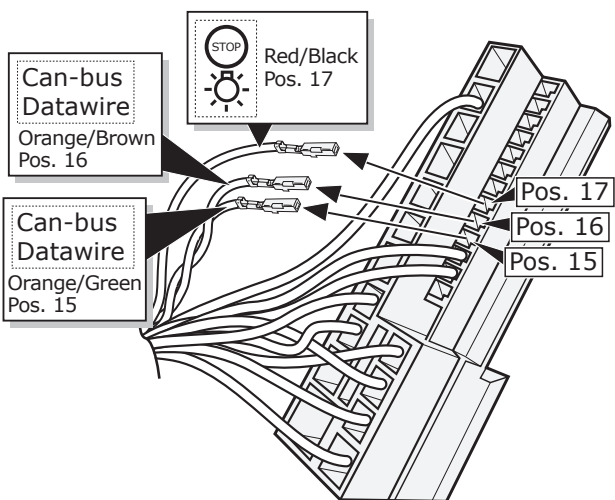
39



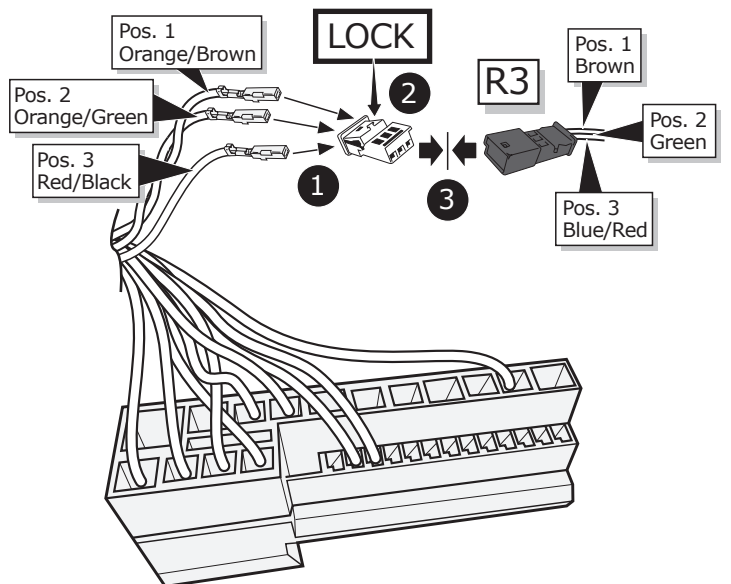
40



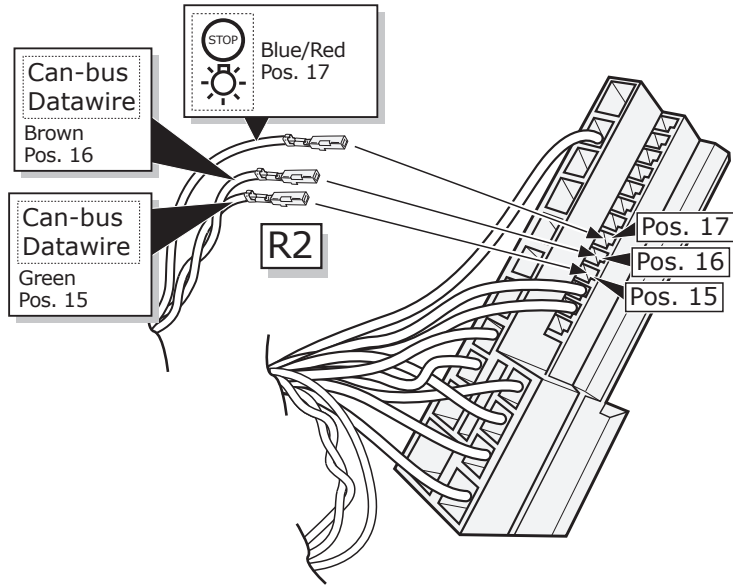
41



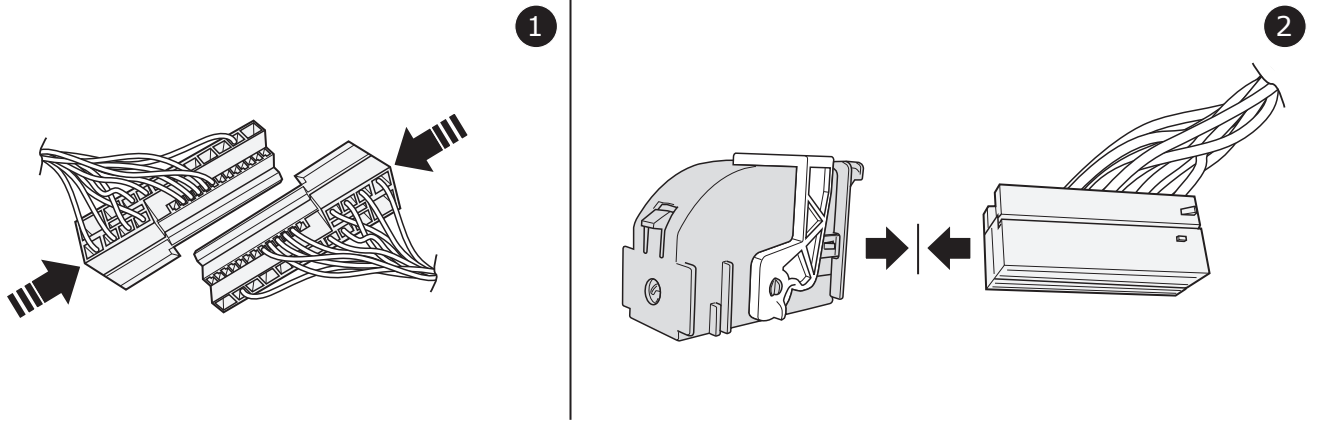
42



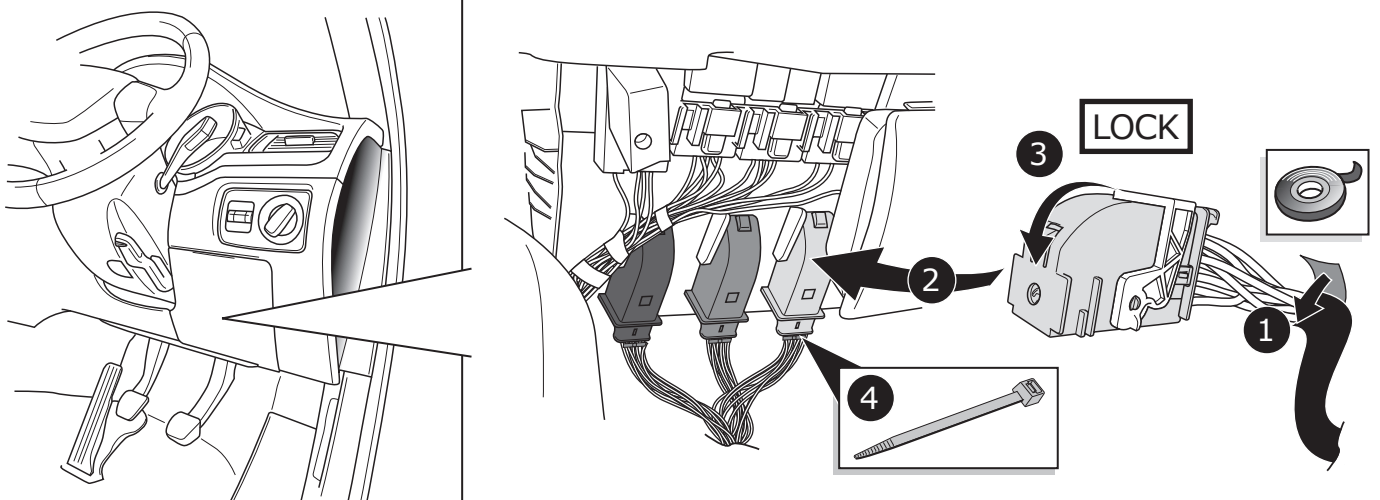
43



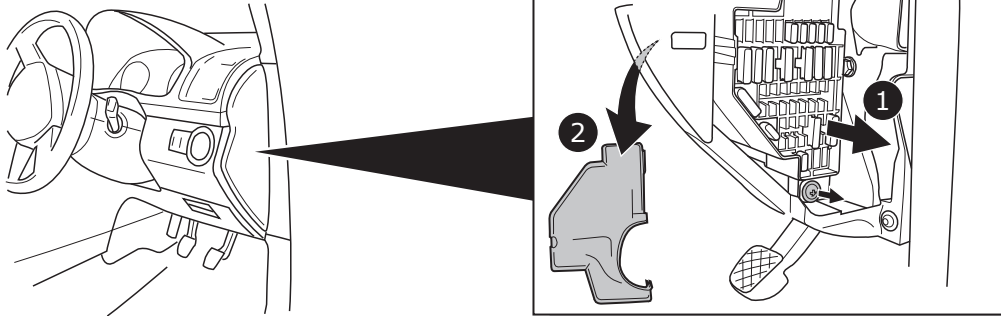
44



45

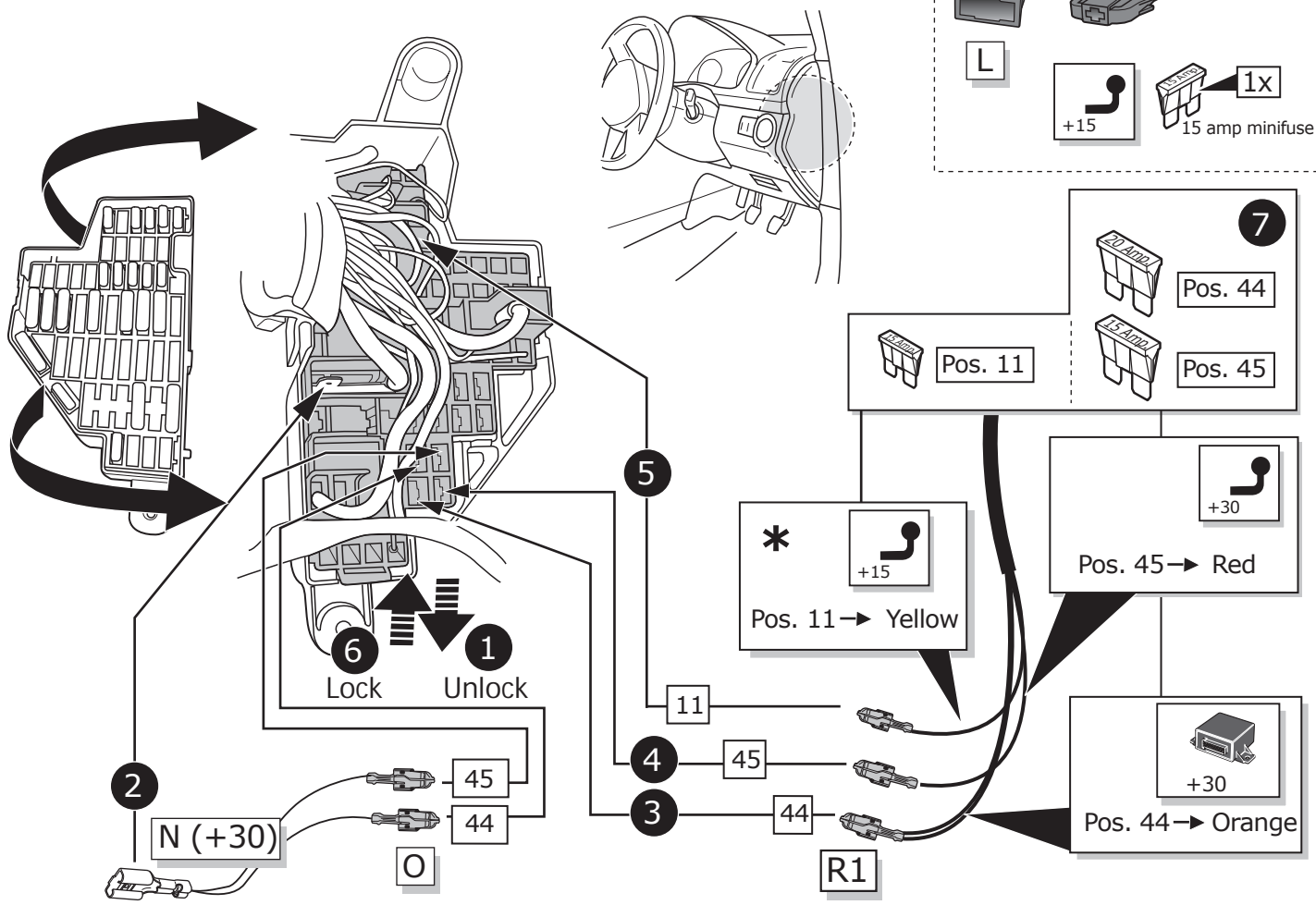


46

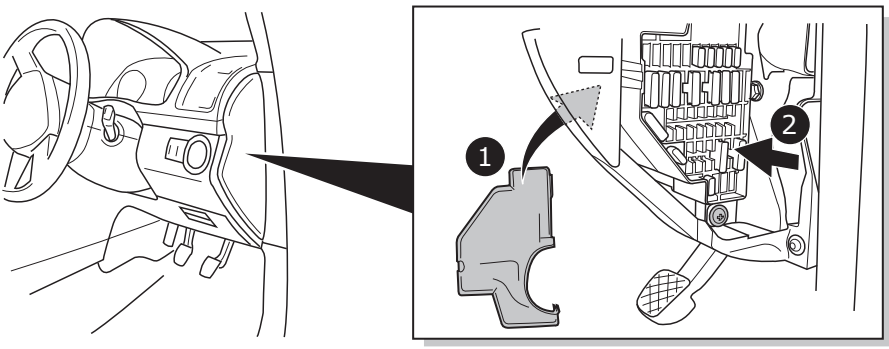


47

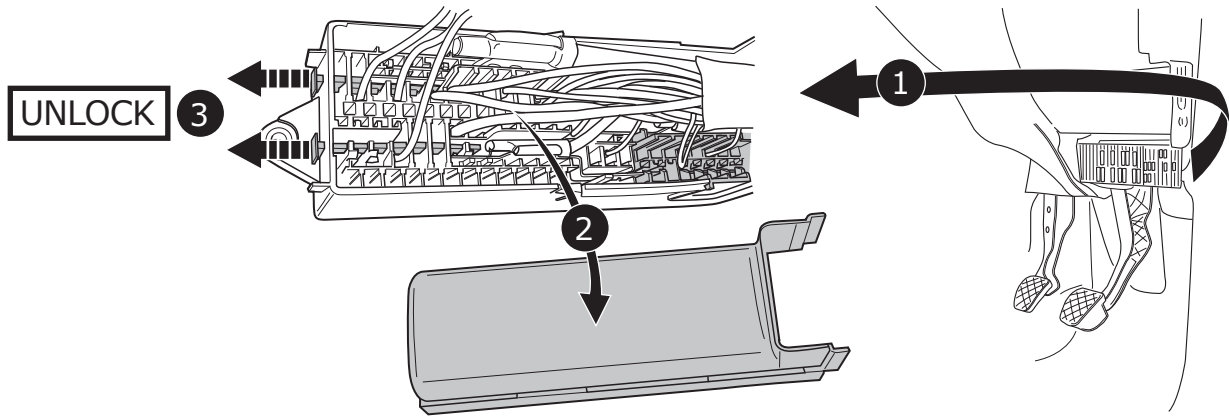
\* If pos 11 is taken, please use other postions



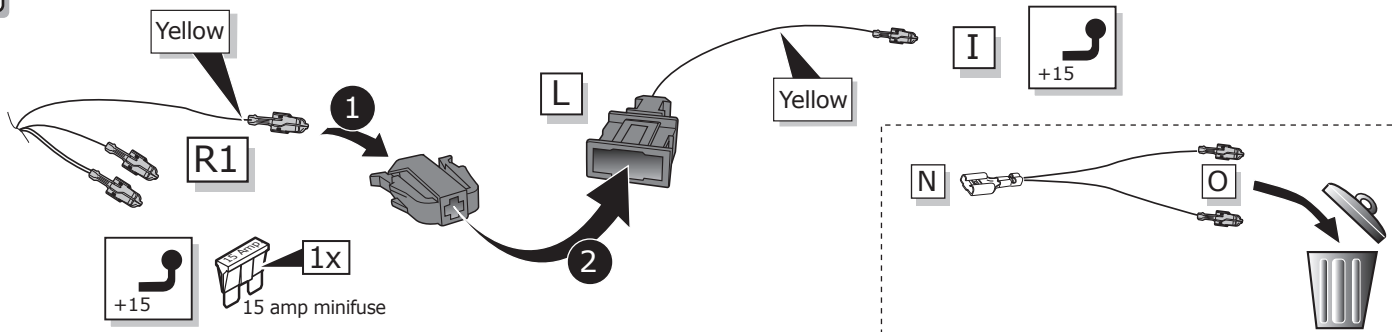
48



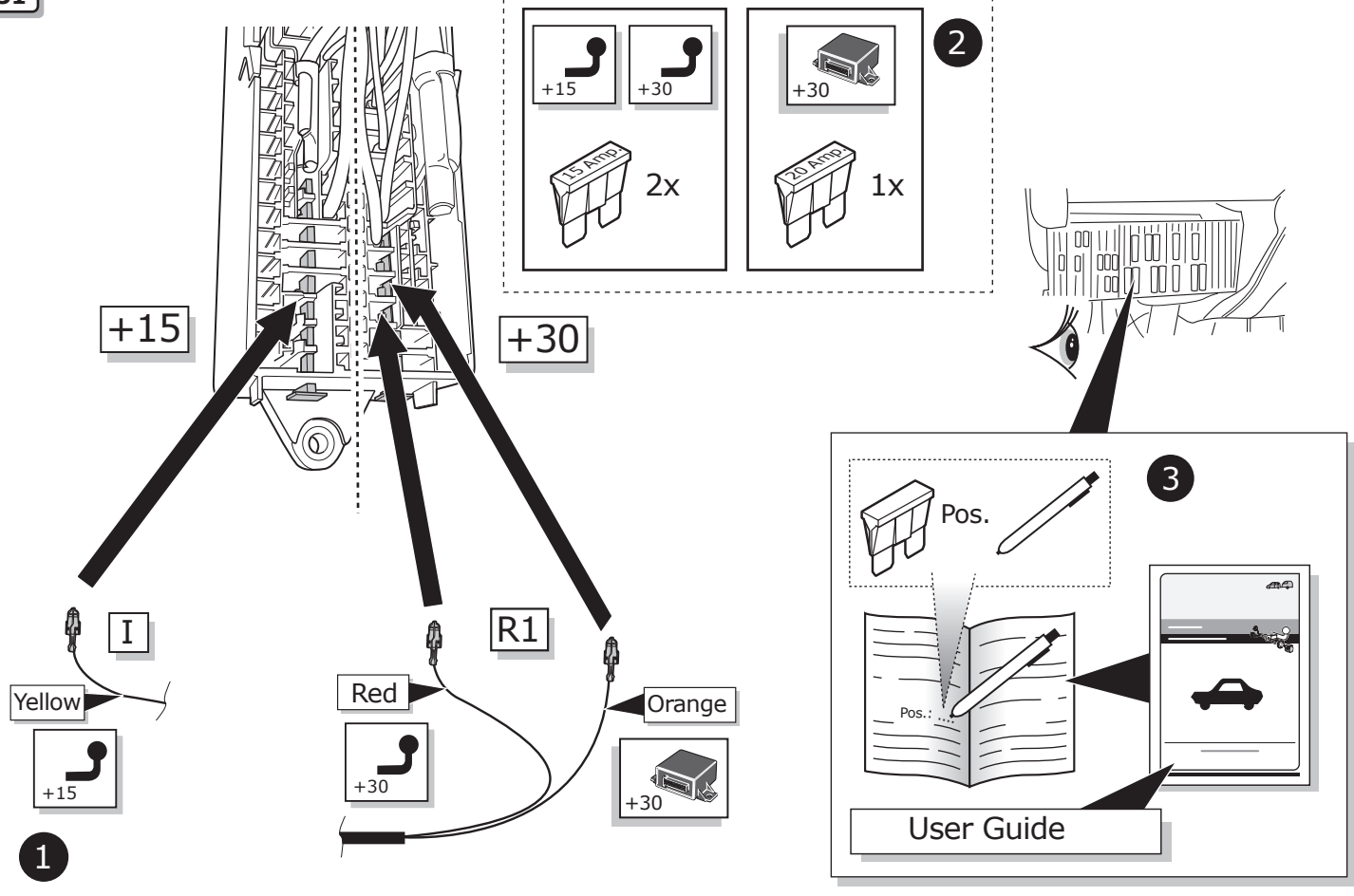
49



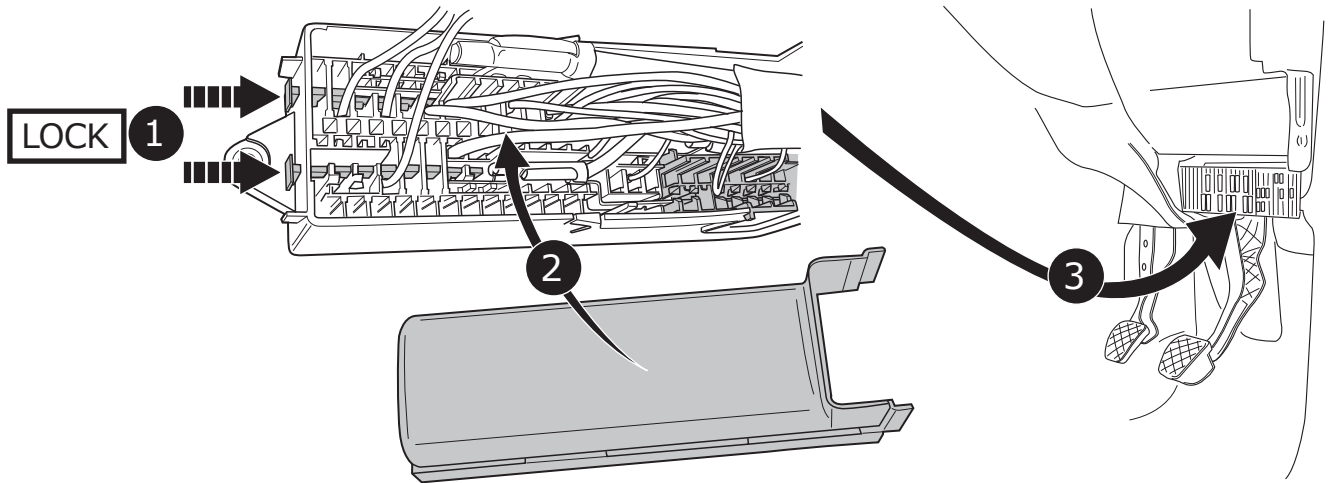
50



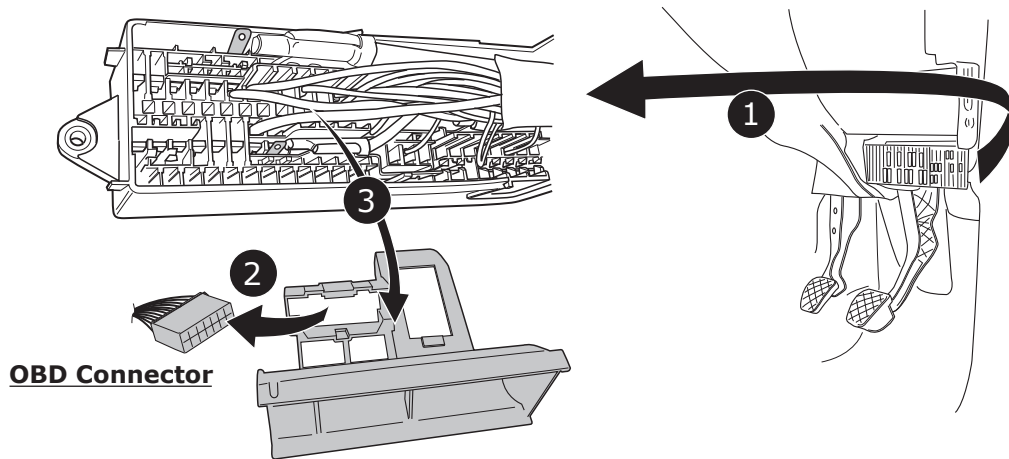
51



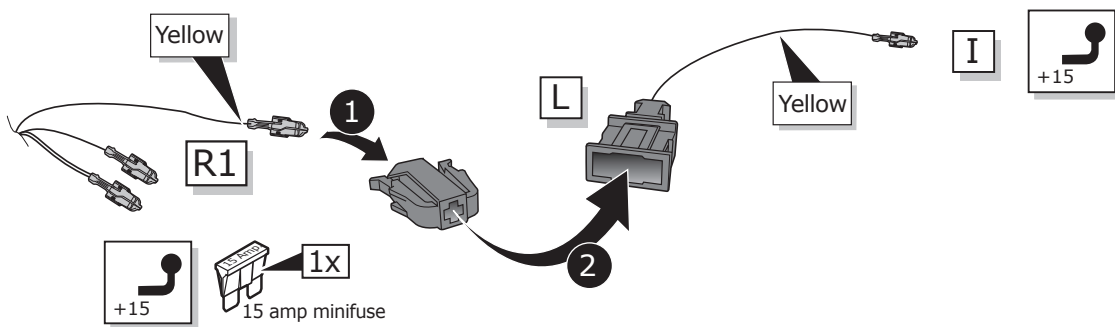
52



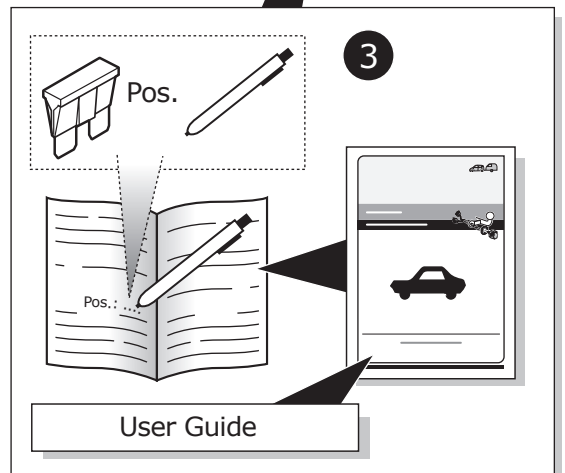
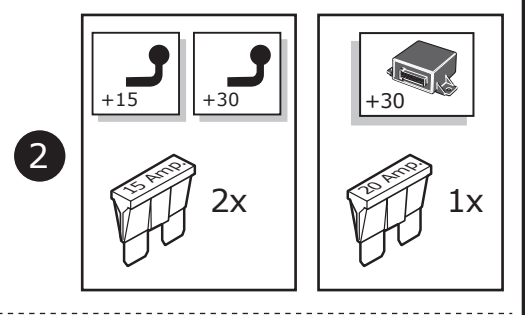
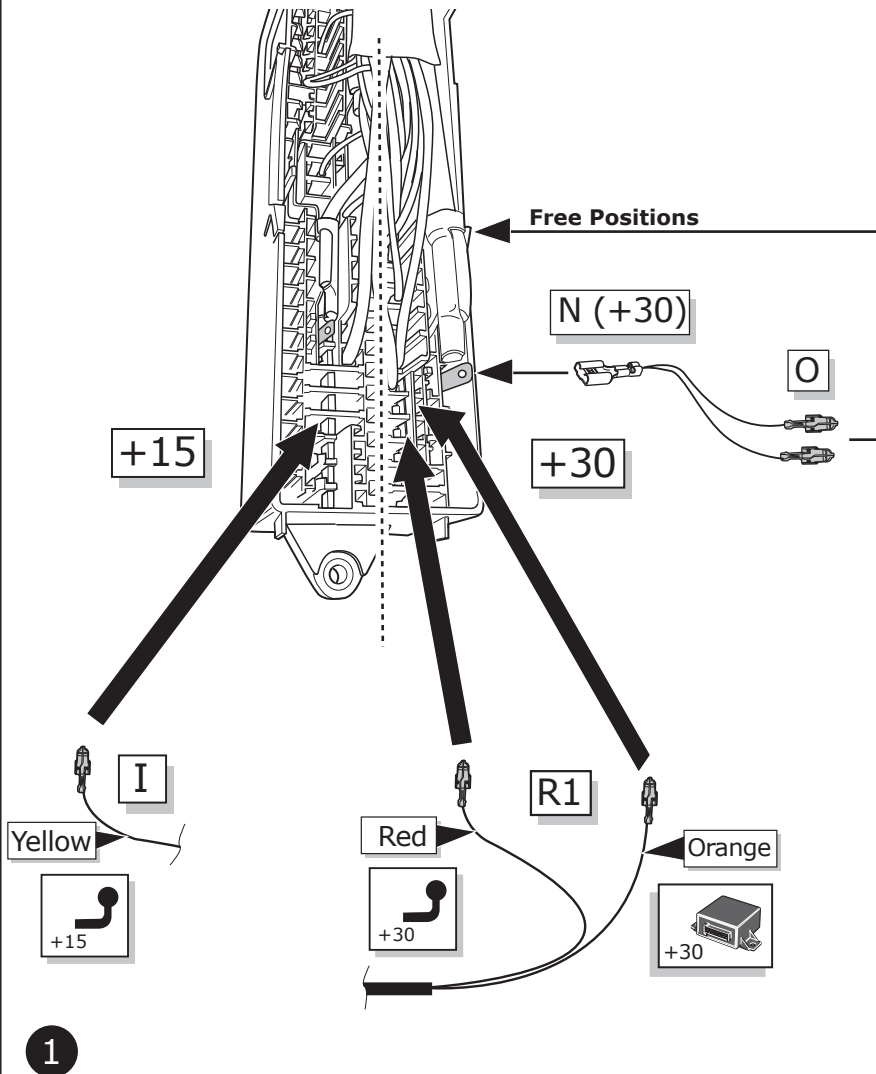
53



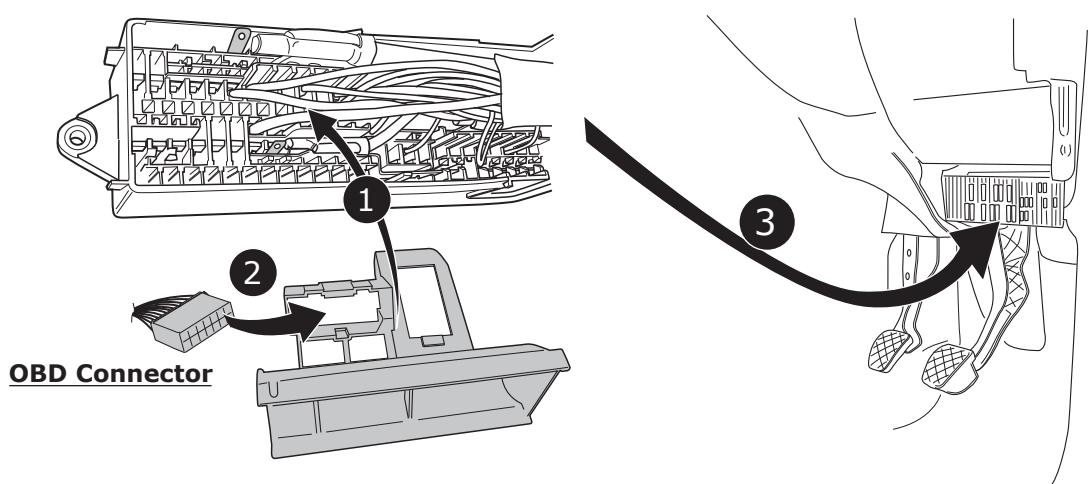
54



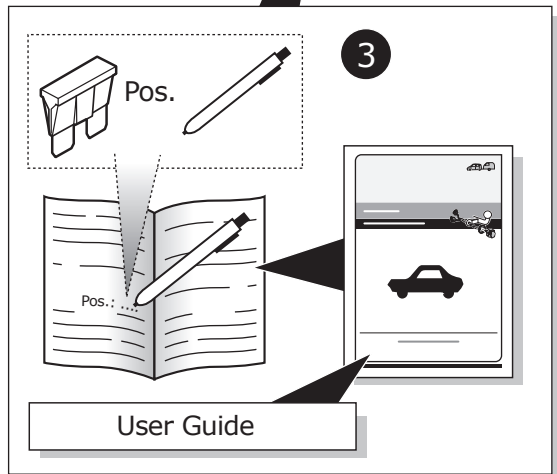
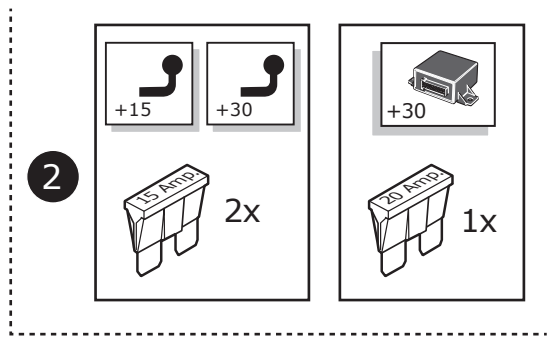
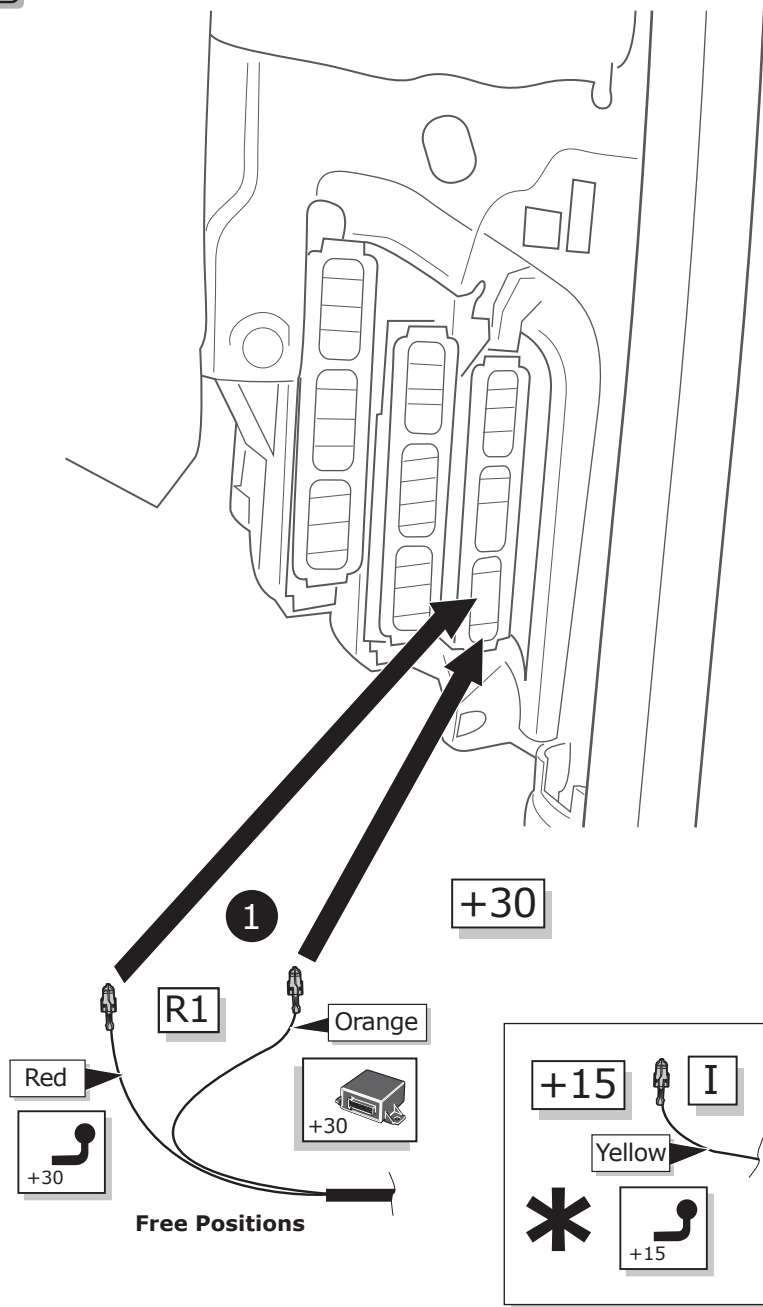
55



56

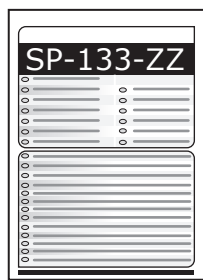


57



58

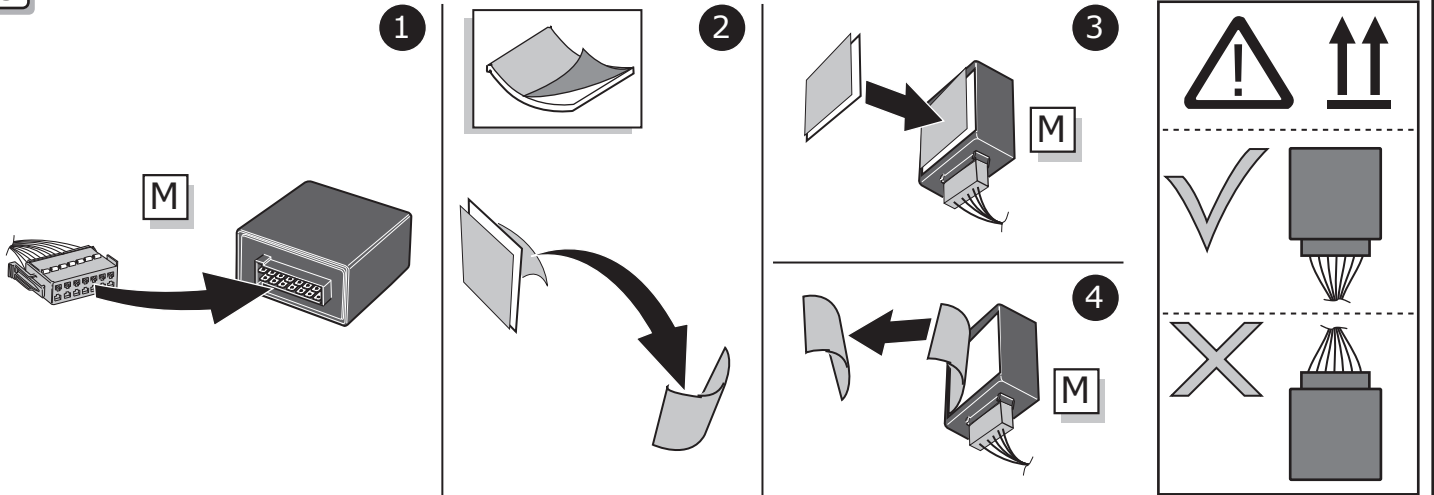
\* Option +15





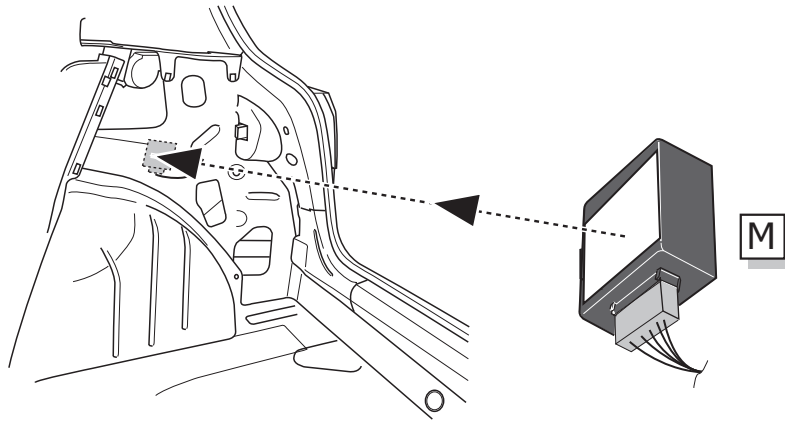
All Models

59



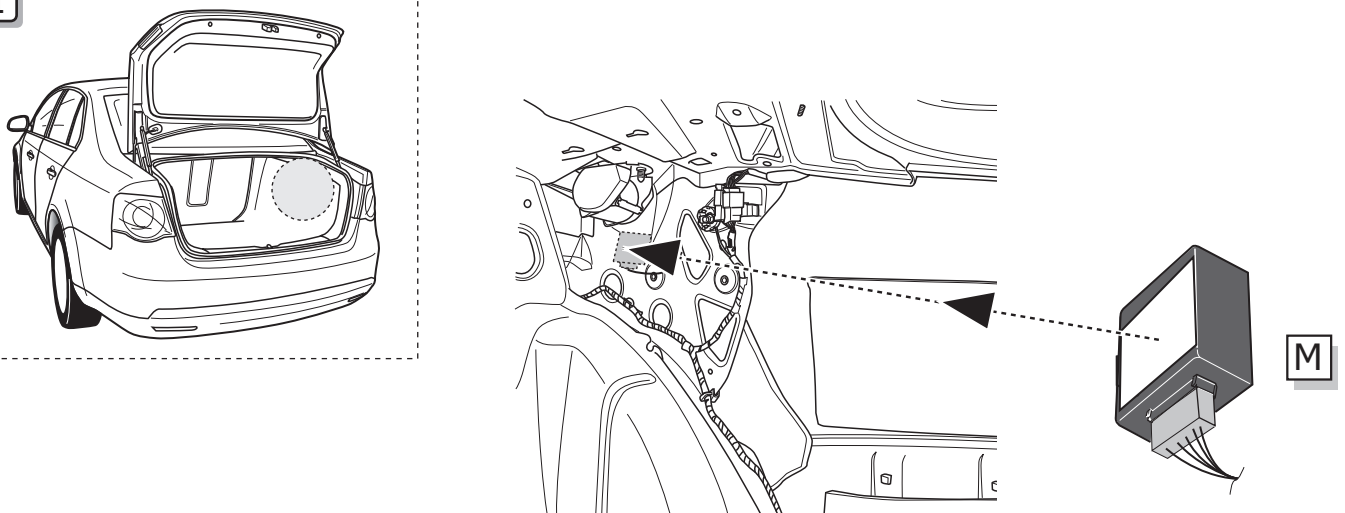
Golf V / Golf VI / Golf VI Cabrio / Golf VI Variant / Golf V Plus / CrossGolf / Golf VI Plus / Audi A1

60



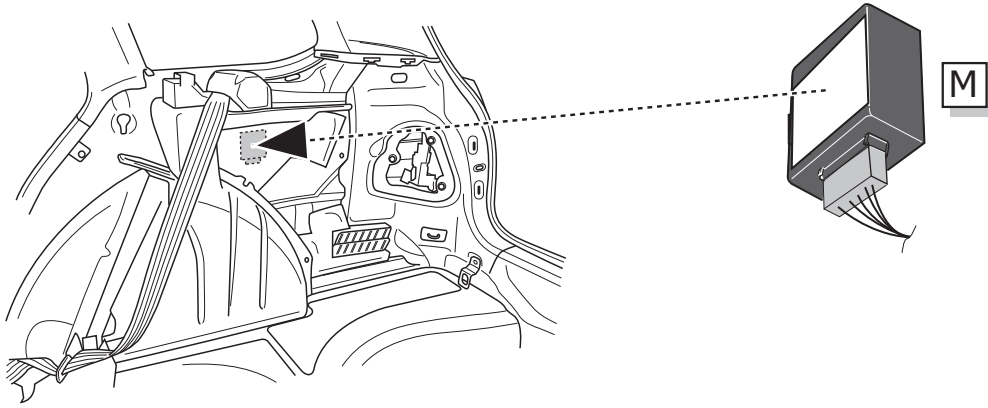
Jetta

61



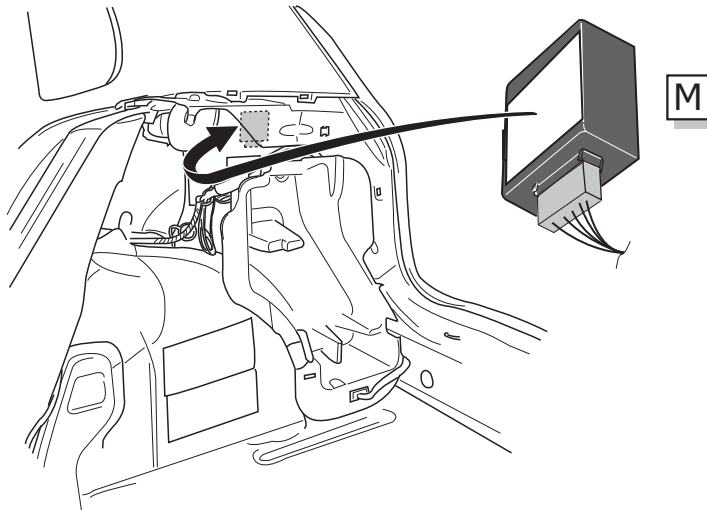
## Golf V Variant

62



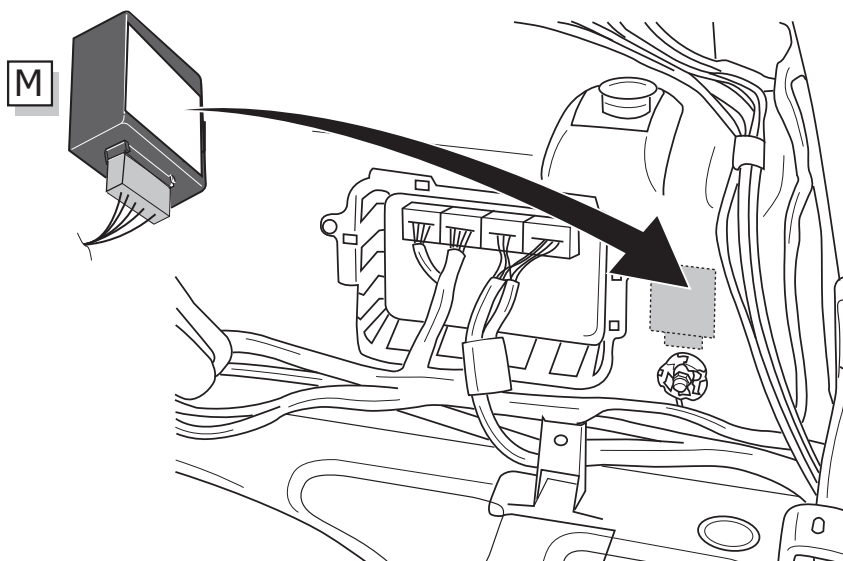
## Tiguan

63

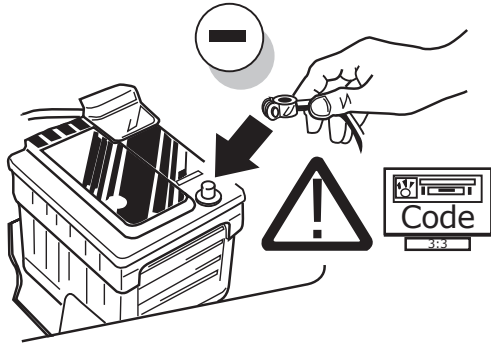


## Eos

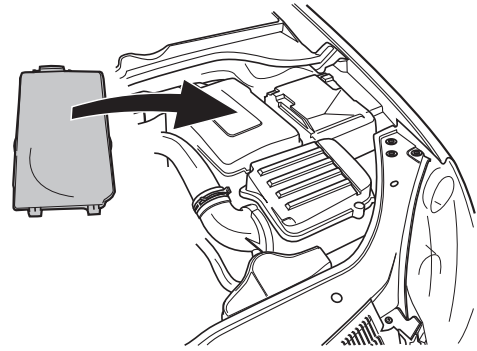
64



65



2



66

A VAG Service Tester must be used to code the vehicle's Gateway with the additional function for the towing hitch at the dealer.

67

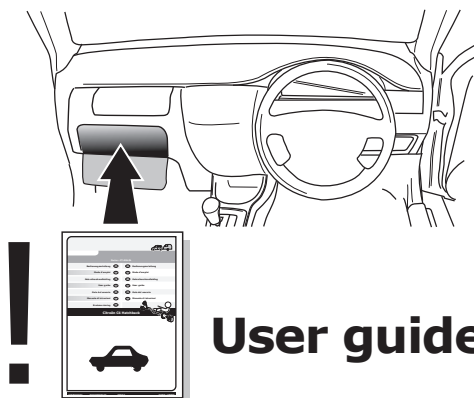


TEST ALL THE CIRCUITS WITH A TEST DEVICE WITH THE CORRECT POWER LOAD FOR EACH FUNCTION. A TEST DEVICE WITH LED'S CANNOT BE USED FOR THIS PURPOSE.

INFO

REINSTALL TRIM.

68



**TECHNICAL SUPPORT**



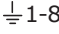








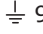
**CALL 07440 202 052**

**ECS ELECTRONICS**

MONDAY TO FRIDAY  
08.00 - 11.00 am  
12.00 - 05.00 pm  
t.skinner@ecs-electronics.com  
www.ecs-electronicsuk.co.uk

INFO

SOCKET CONNECTION

DIN/ISO 11446													
	1/L	2	3/31	4/R	5/58-R	6/54	7/58-L	8	9	10	11	12	13
Pmax	21W	21W		21W	42W	3x21W	42W	21W	180W/15Amp	180W/15Amp			
Colour	Black/ White	Blue	Brown	Black/ Green	Grey/ Red	Black/ Red	Grey/ Black	Black	Red	Yellow	Brown	-	Brown