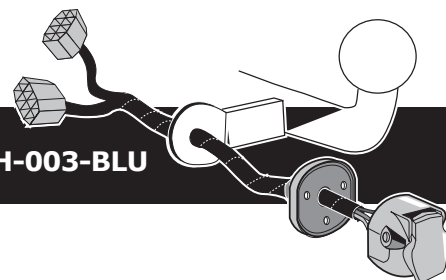


Chevrolet Captiva 2006- Opel Antara 1-2007-

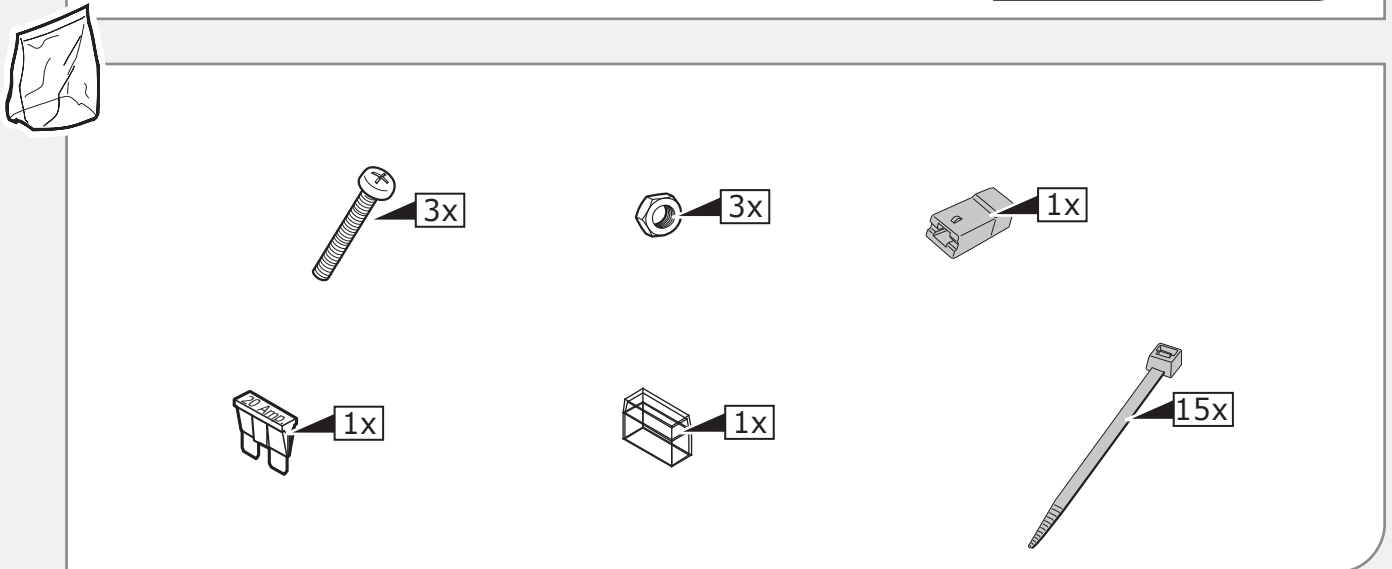
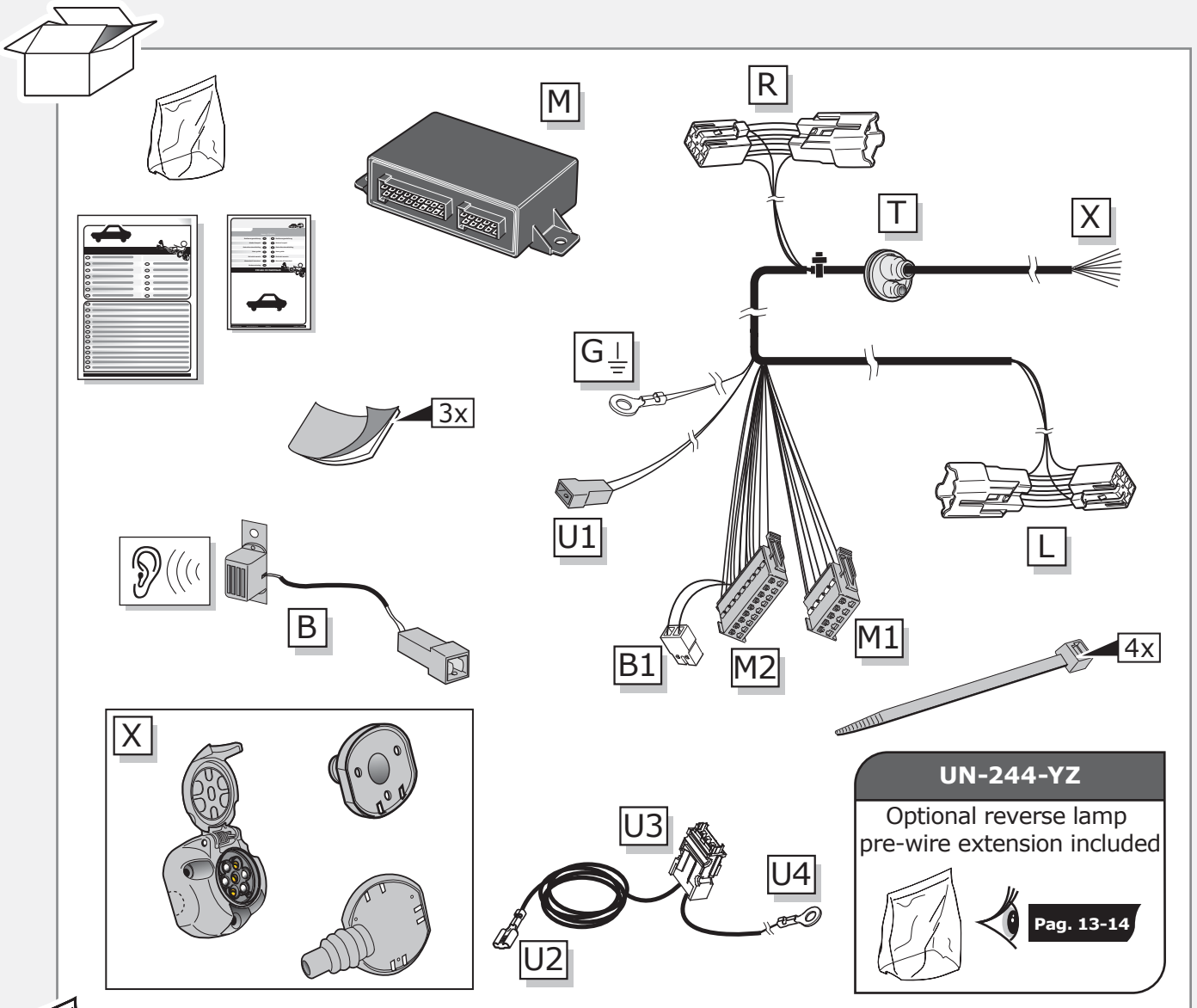
Partnr.: CH-003-BLU

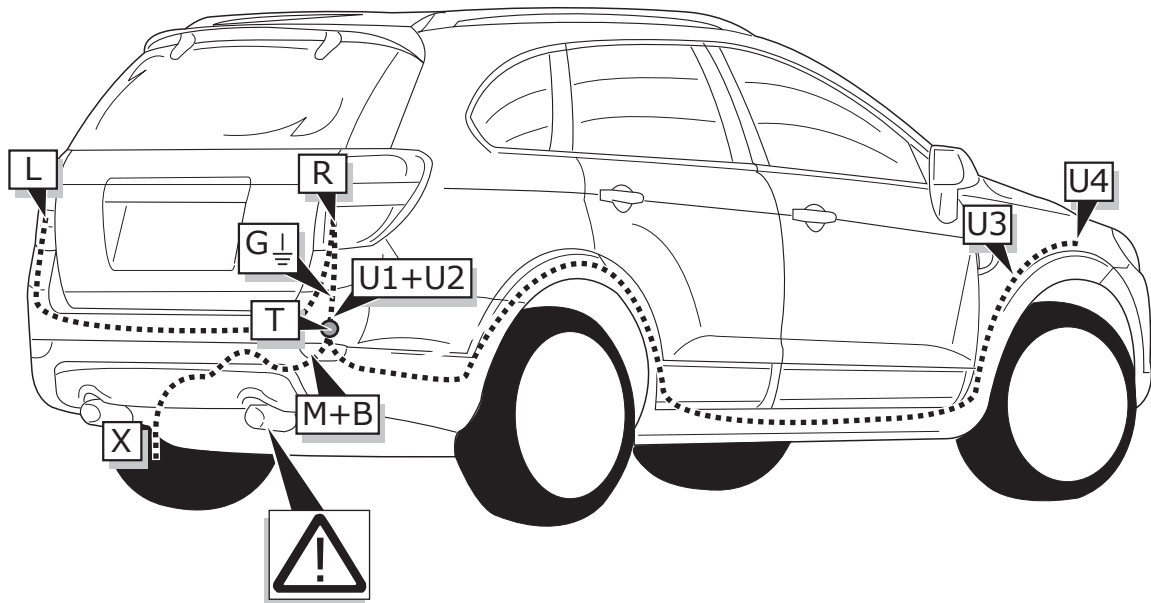


- Fitting instructions electric wiring kit tow bar with 12-N socket up to DIN/ISO Norm 1724.
- We would expressly point out that assembly not carried out properly by a competent installer will result in cancellation of any right to damage compensation, in particular those arising by virtue of the product liability act.
- Contents of these kits and their fitting manuals are subject to alteration without notice, please ensure that these instructions are read and fully understood before commencing installation.
- Do not overload circuits; the maximum loads per connection are detailed in this manual.
- Attention! Before Installation, please read this manual carefully and inform your customer to consult the vehicle owners manual to check for any vehicle modifications required before towing.
- In the event of functional problems, troubleshooting must be limited to about 0.5 hours, contact the technical support:
ukts@ecs-electronics.com / 07440 202 052.

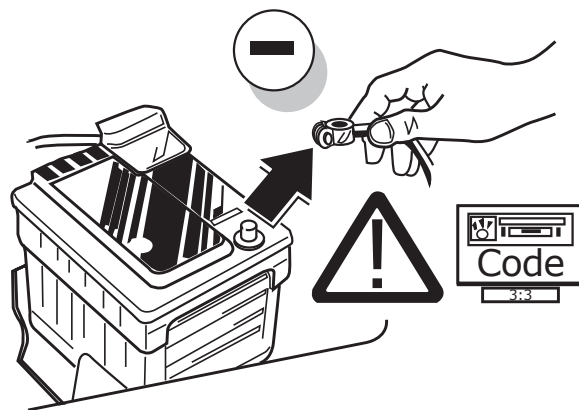


Part list



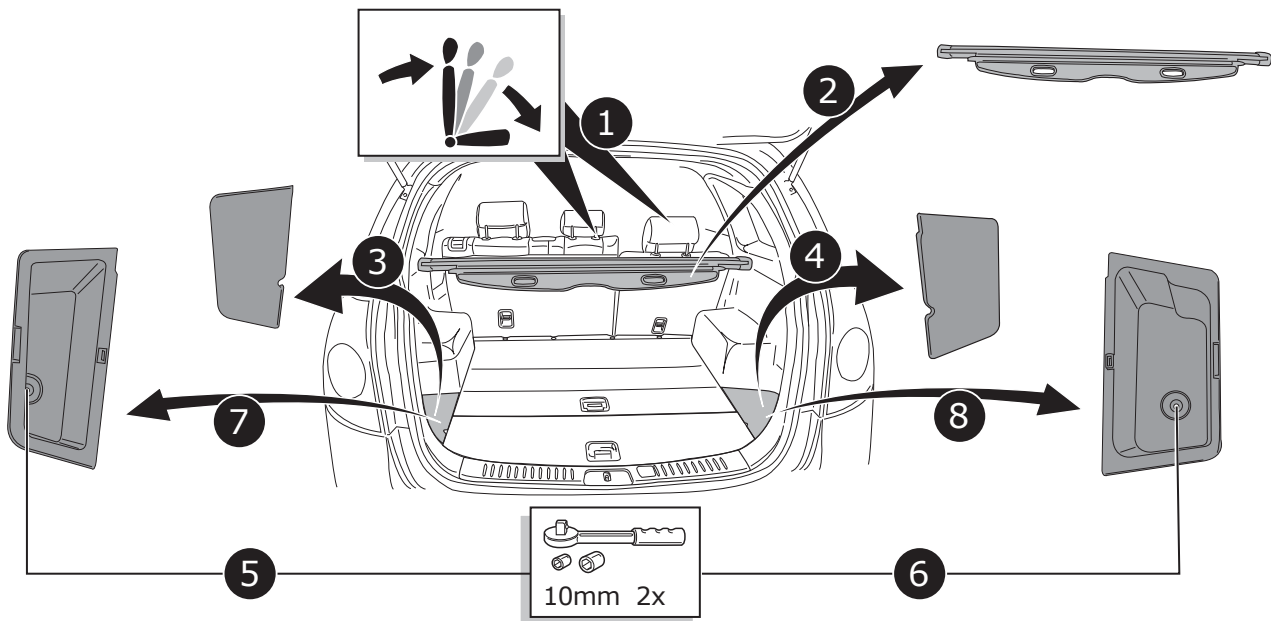


1

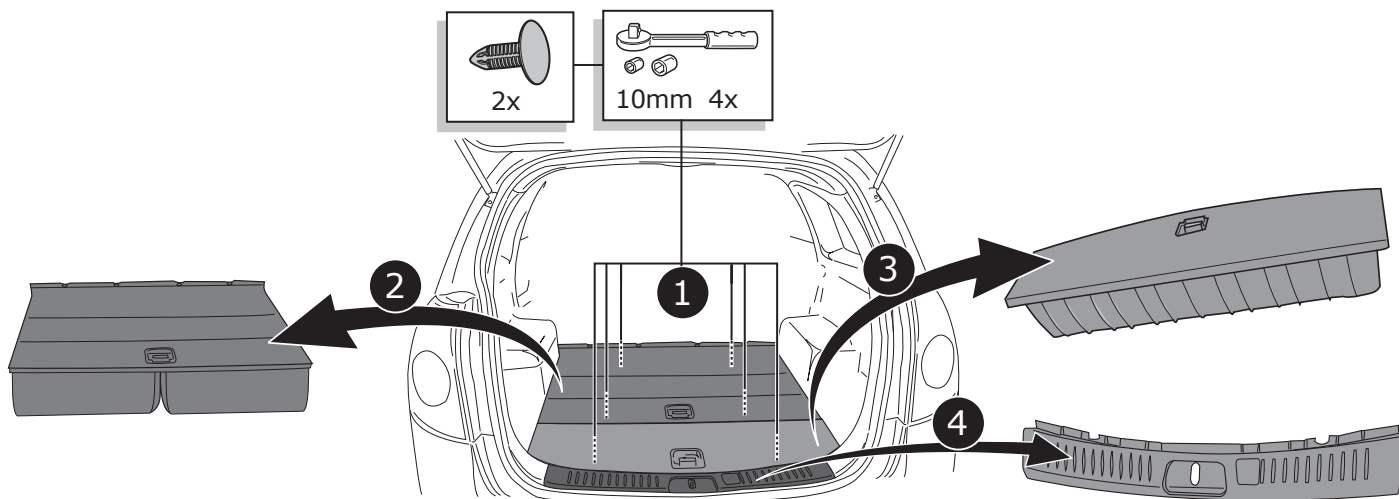


Chevrolet Captiva

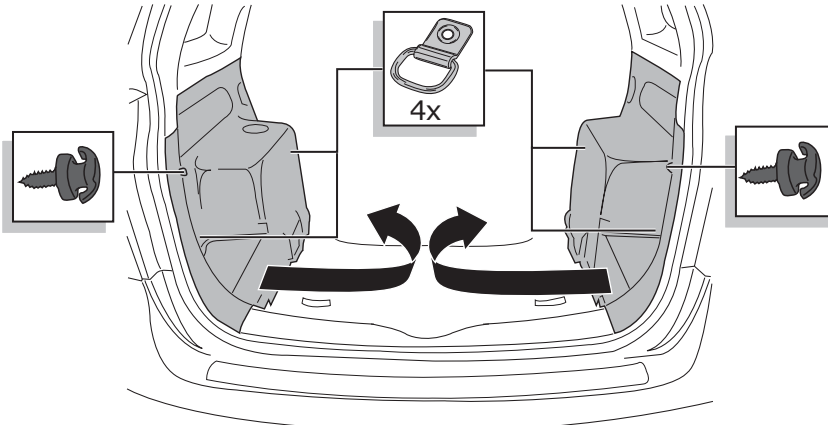
2



3

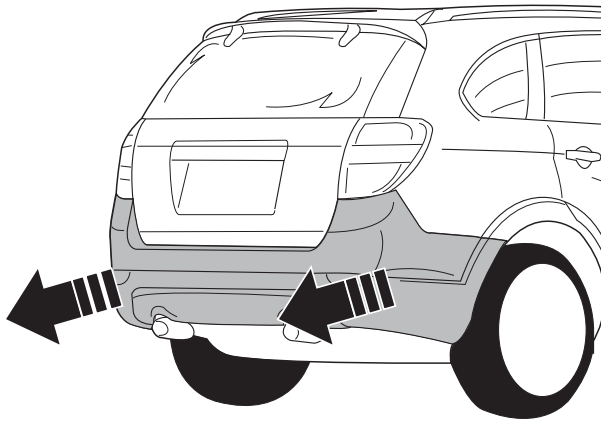


4



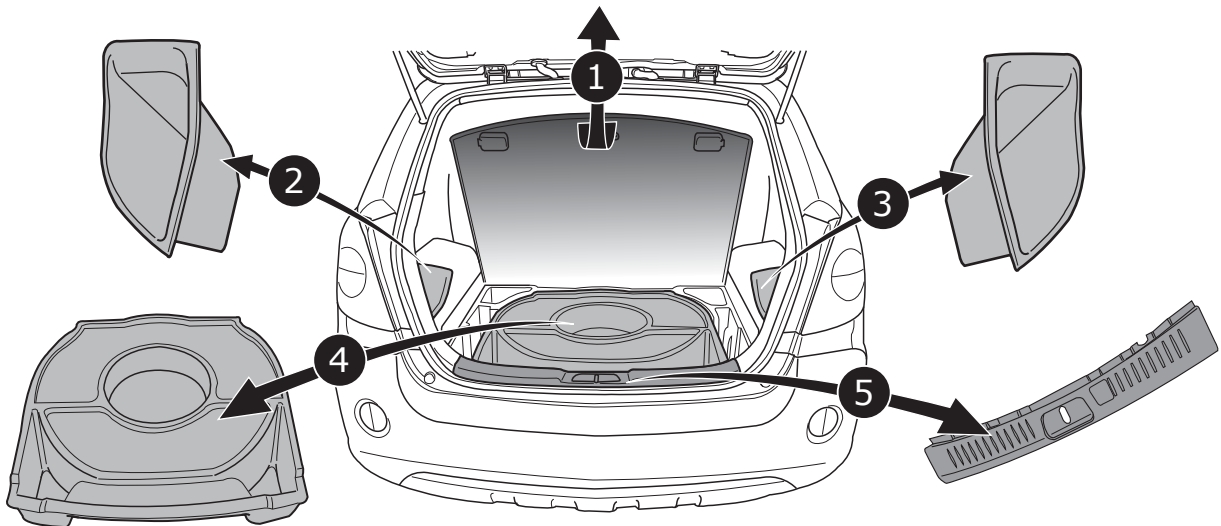
Chevrolet Captiva

5



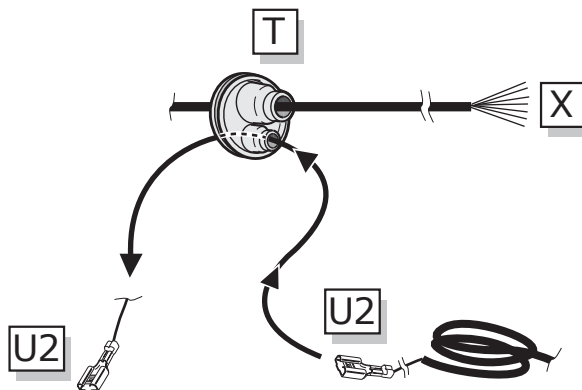
Opel Antara

6



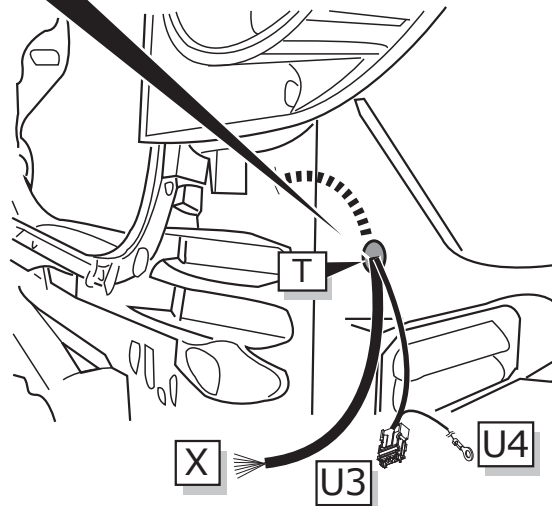
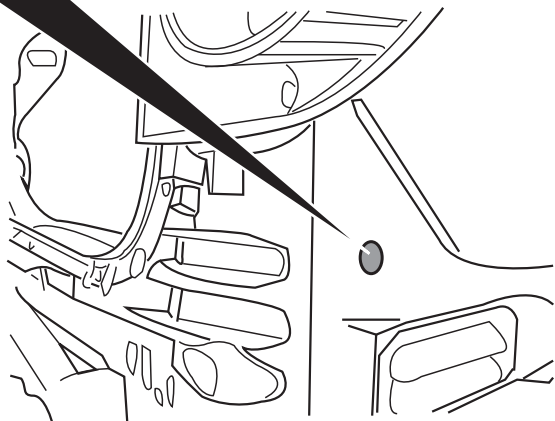
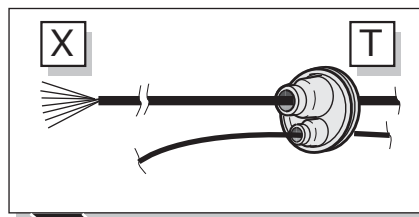
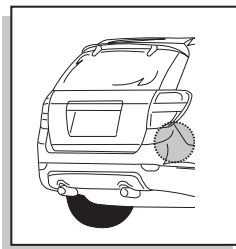
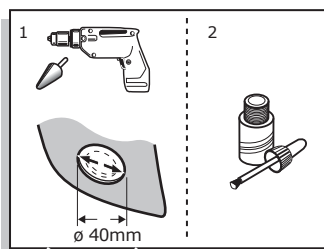
Chevrolet Captiva & Opel Antara

7



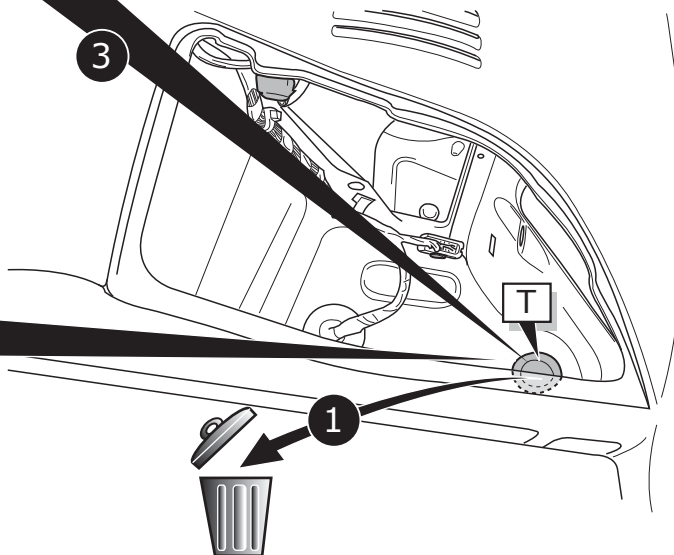
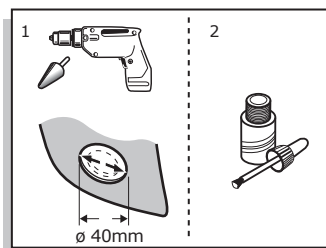
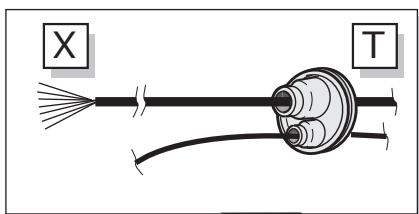
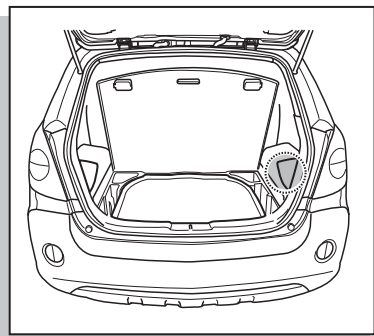
Chevrolet Captiva

8



Opel Antara

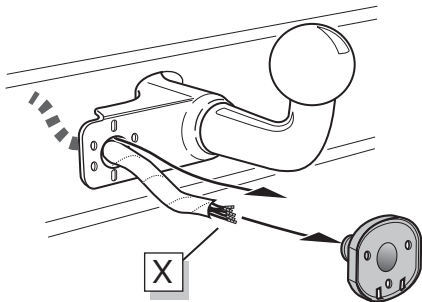
9



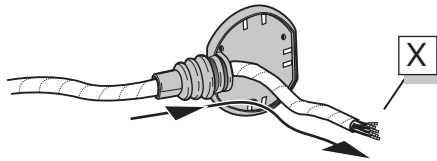
Chevrolet Captiva & Opel Antara

A

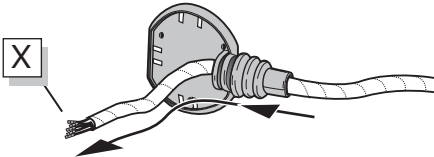
Option 1



Option 2



Option 3



INFO

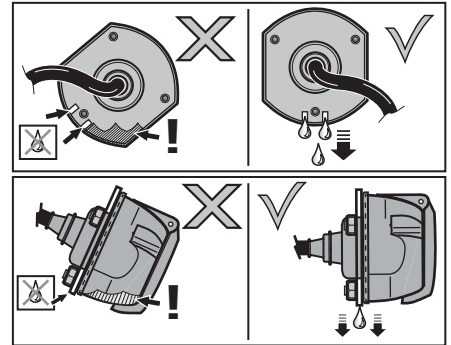
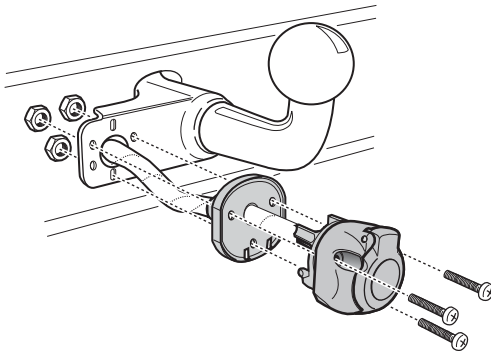
SOCKET CONNECTION



Pag. 12

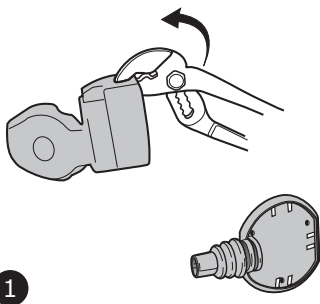
B

Option 1

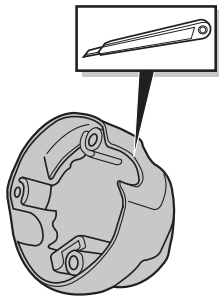


C

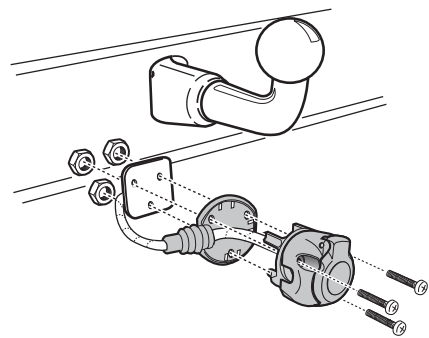
Option 2



2

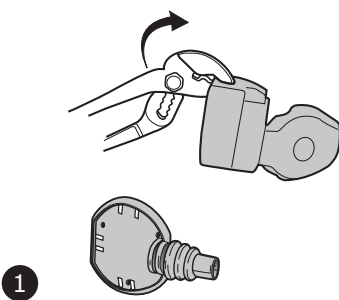


3

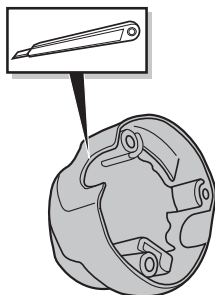


D

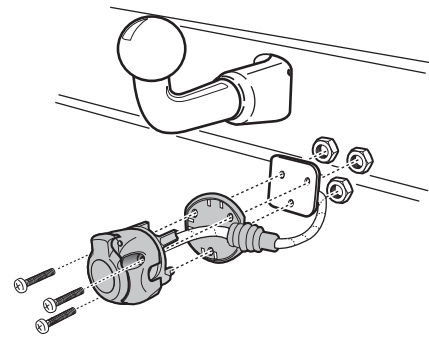
Option 3



2

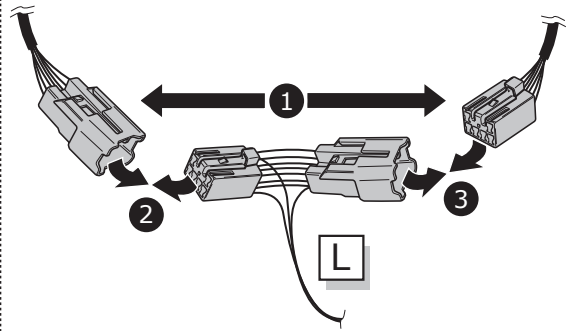
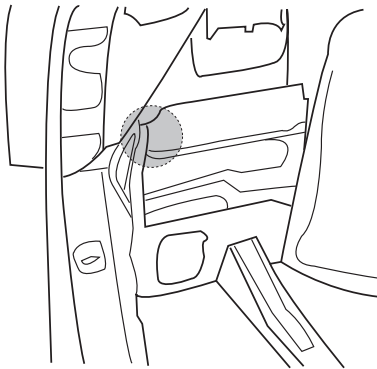
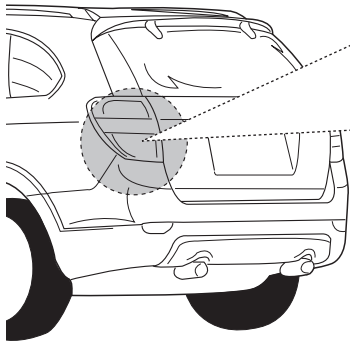


3

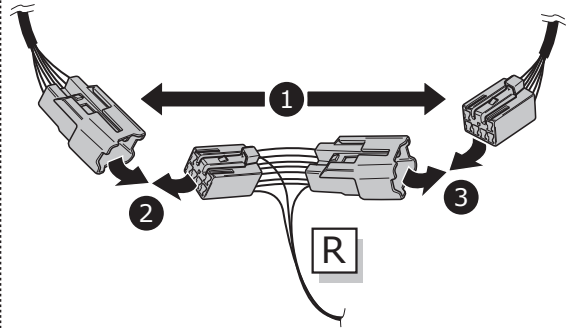
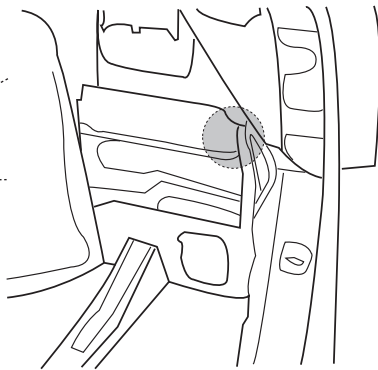
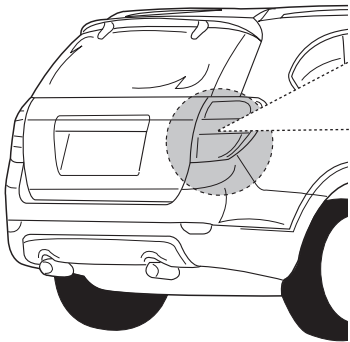


Chevrolet Captiva

10

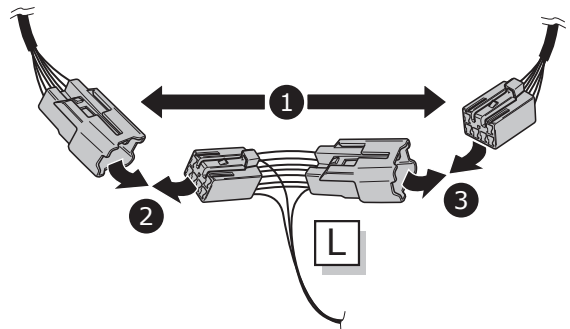
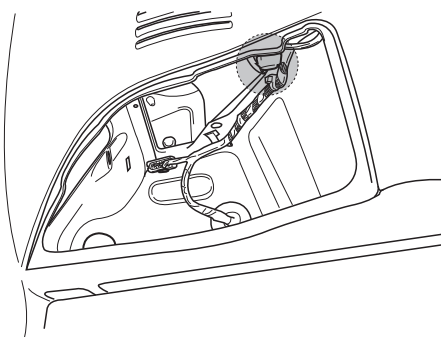
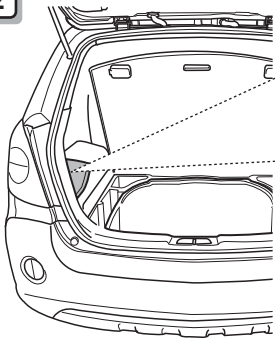


11

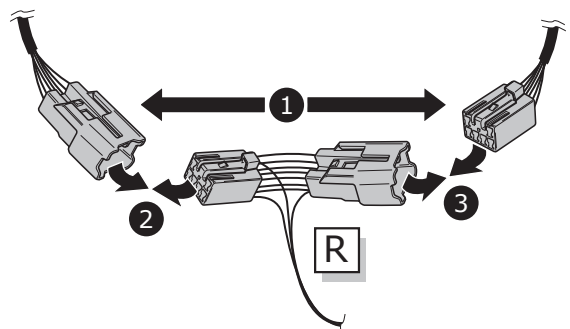
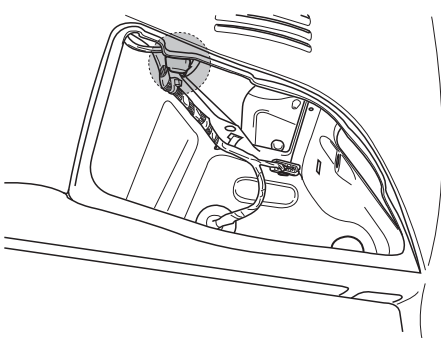
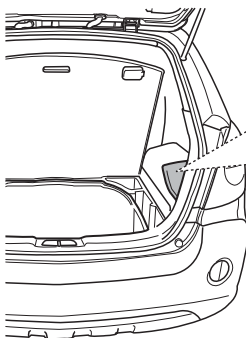


Opel Antara

12

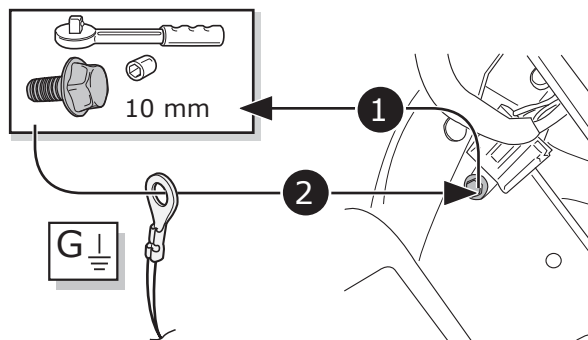
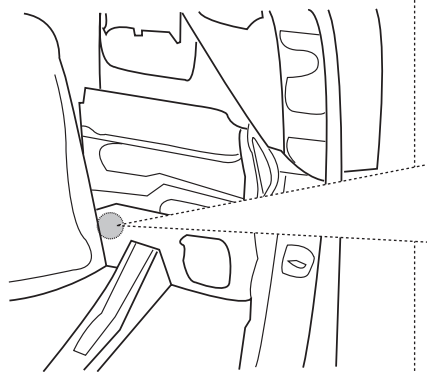


13



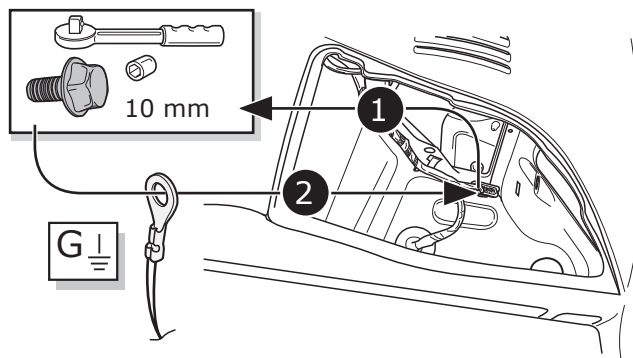
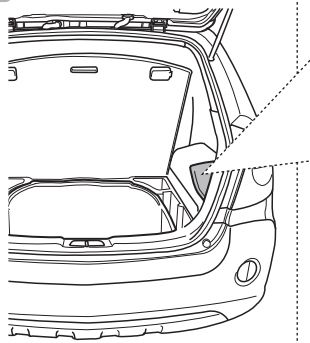
Chevrolet Captiva

14



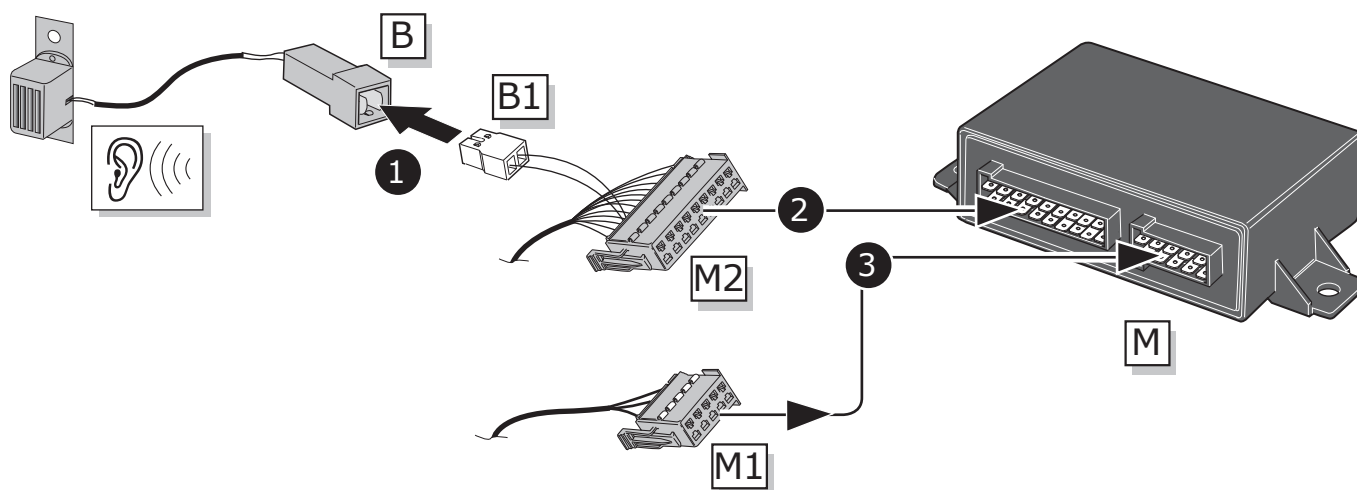
Opel Antara

15



Chevrolet Captiva & Opel Antara

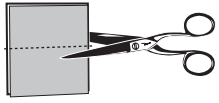
16



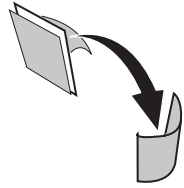
Chevrolet Captiva & Opel Antara

17

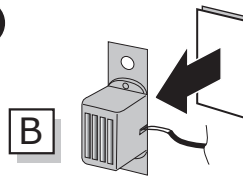
1



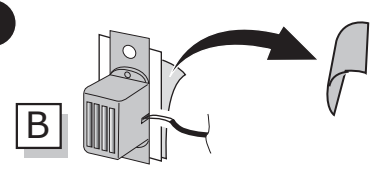
2



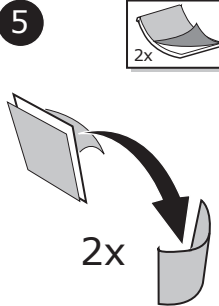
3



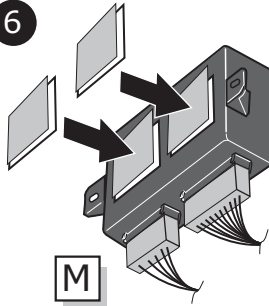
4



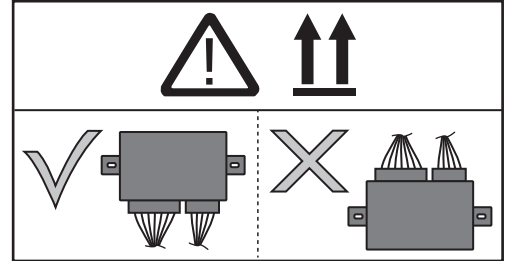
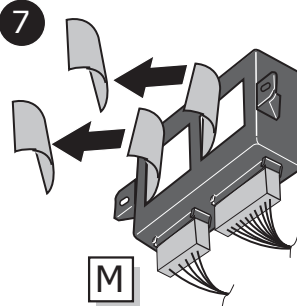
5



6

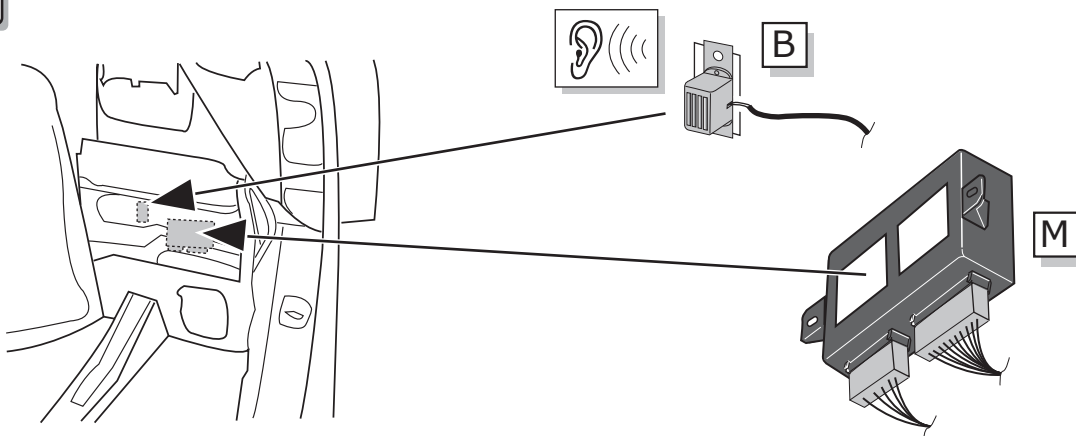


7



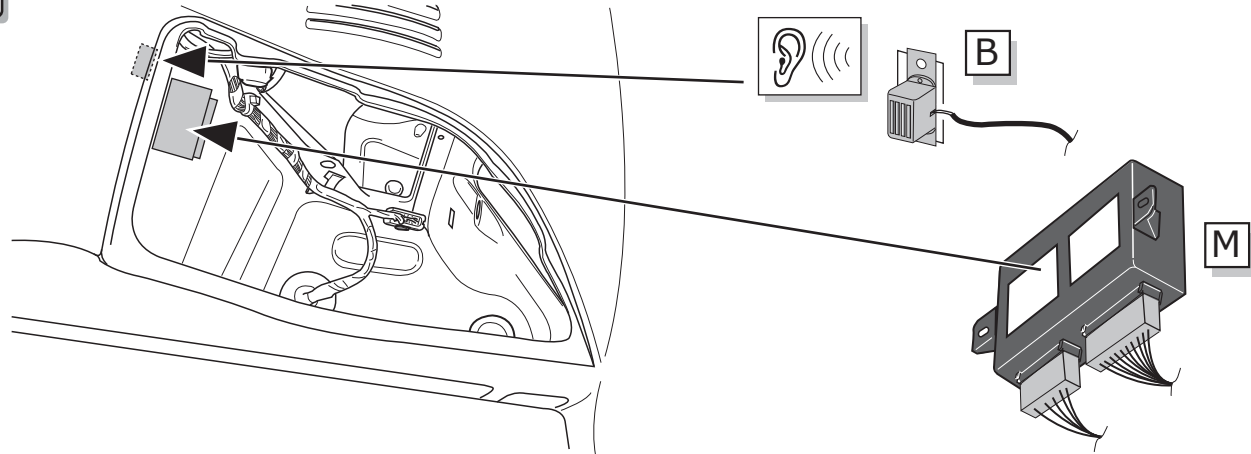
Chevrolet Captiva

18

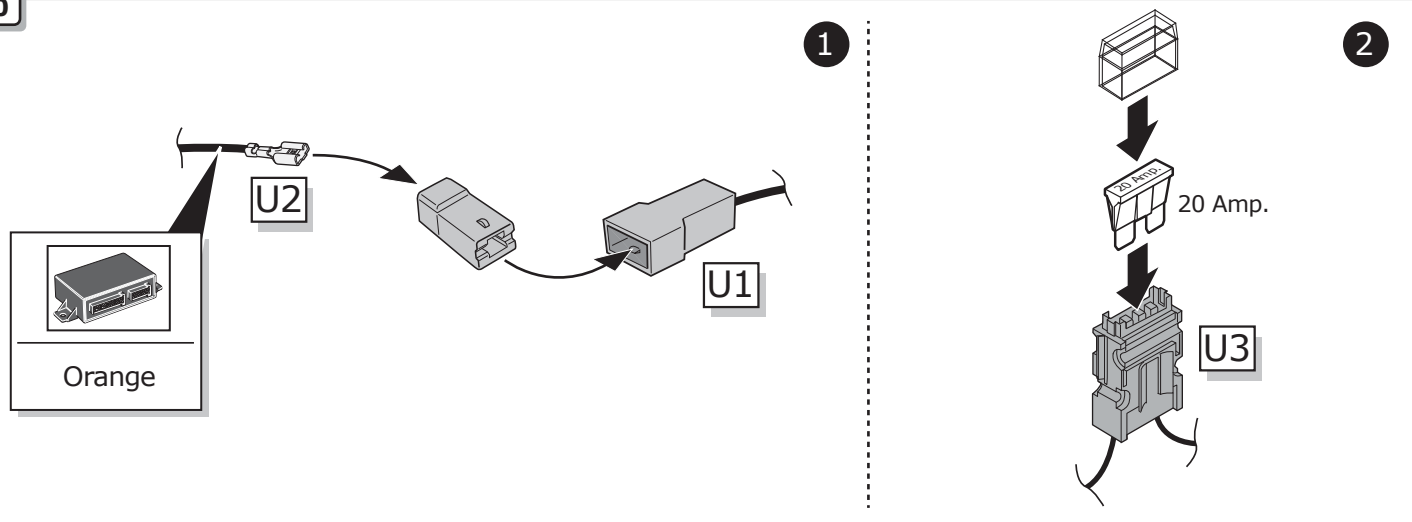


Opel Antara

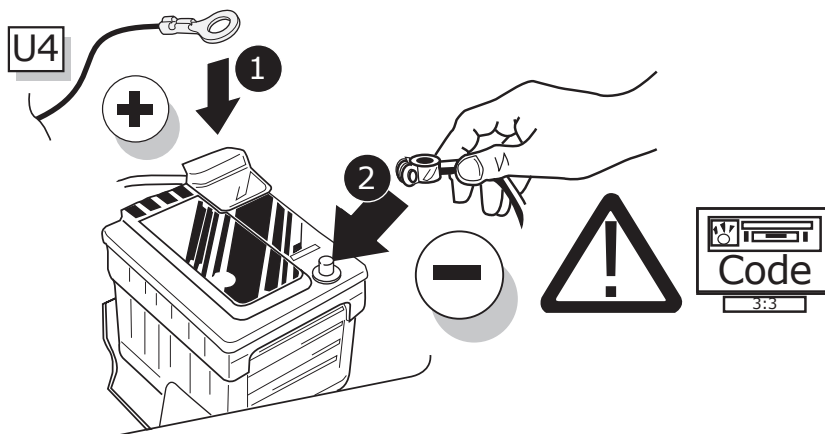
19



20



21



22

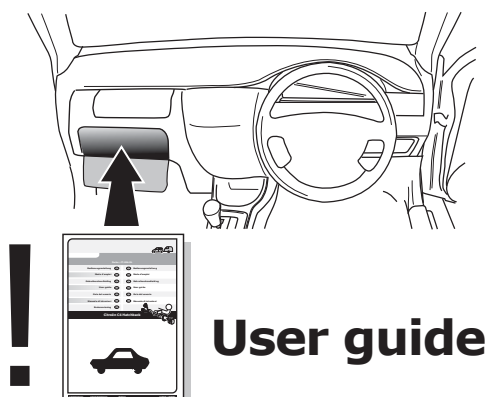


TEST ALL THE CIRCUITS WITH A TEST DEVICE WITH THE CORRECT POWER LOAD FOR EACH FUNCTION. A TEST DEVICE WITH LED'S CANNOT BE USED FOR THIS PURPOSE.

INFO

REINSTALL TRIM.

23



INFO

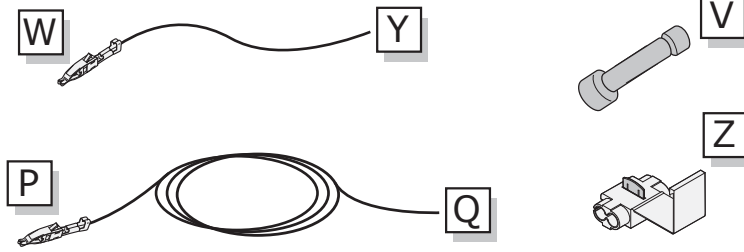
SOCKET CONNECTION

DIN/ISO 1724							
	1/L	2	3/31	4/R	5/58-R	6/54	7/58-L
Pmax	21W	2x21W		21W	52W	3x21W	52W
Colour	Yellow	Blue	White	Green	Brown	Red	Black

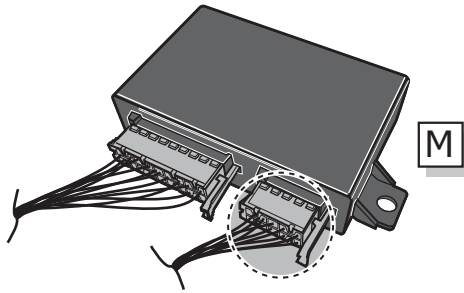
UN-244-YZ Reverse lamp pre-wire extension

UN-244-YZ

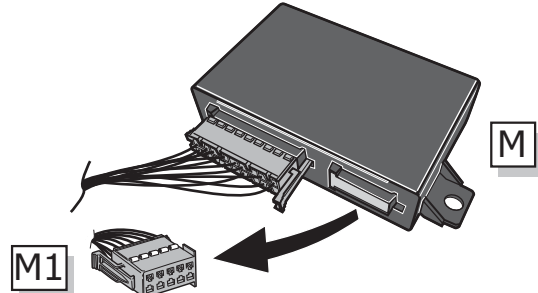
⚠ MAX = 21W



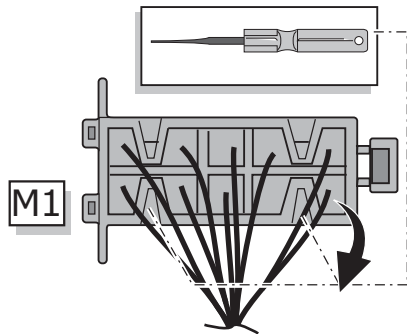
A



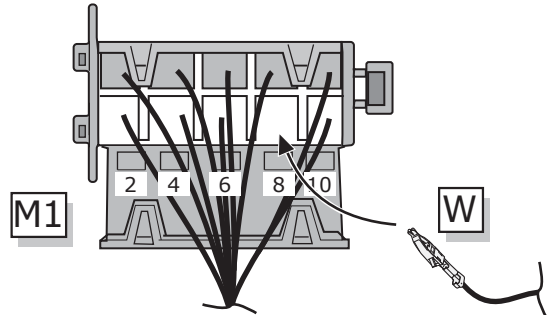
1



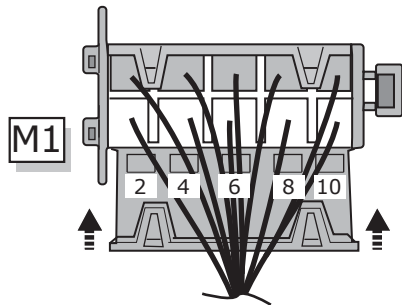
2



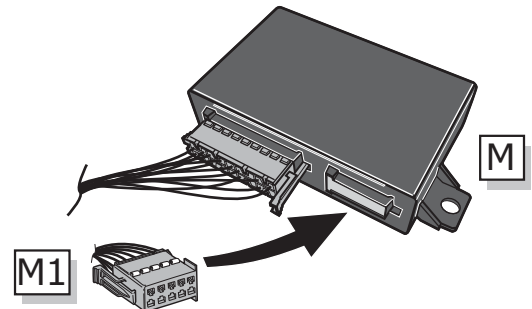
3



4

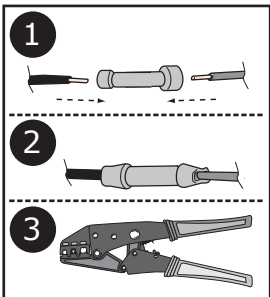


5



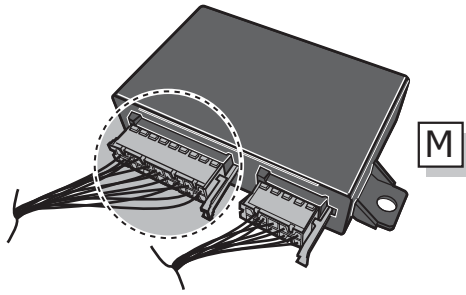
B

⚠ MAX = 21W

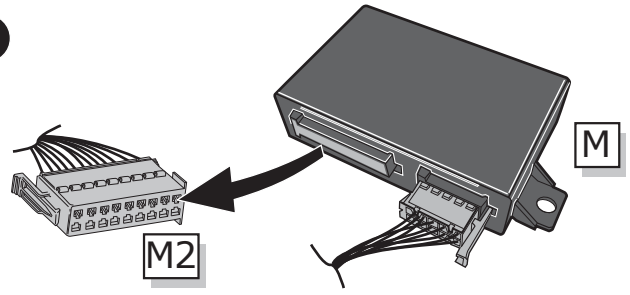


UN-244-YZ Reverse lamp pre-wire extension

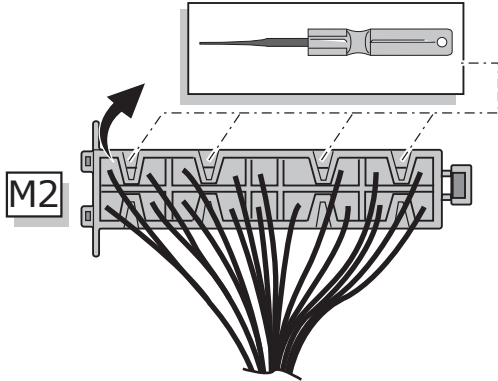
C



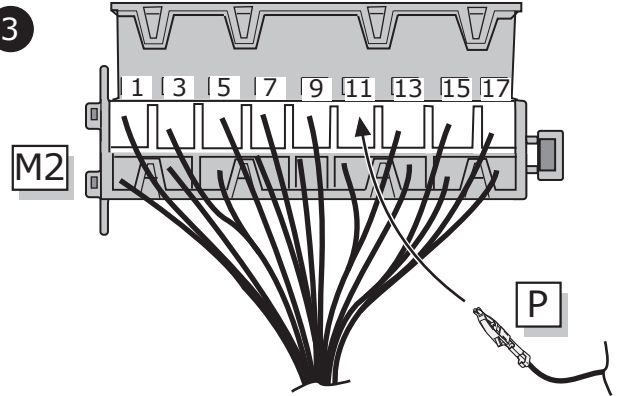
1



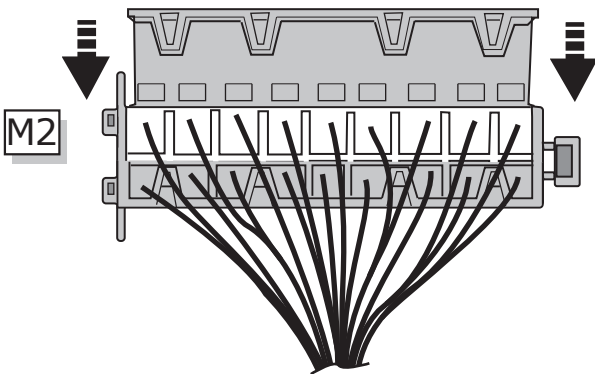
2



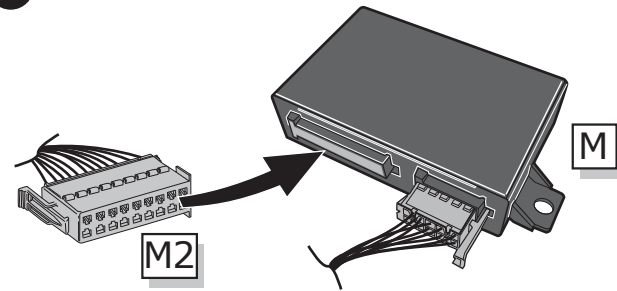
3



4



5



D

