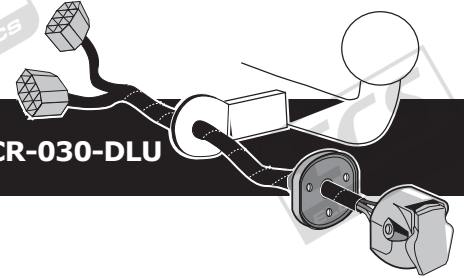


## Chrysler 300C Wagon (LX) 2005-

Partnr.: CR-030-DLU



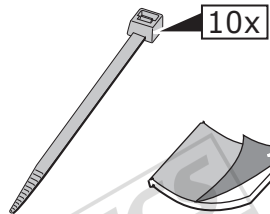
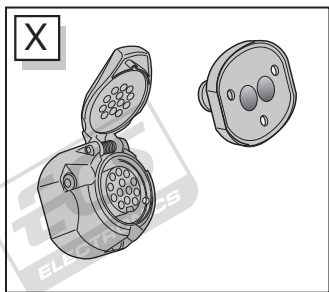
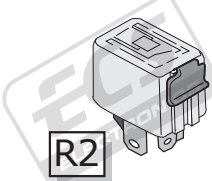
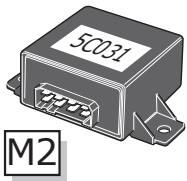
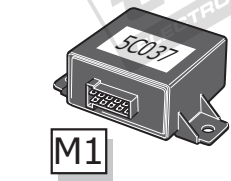
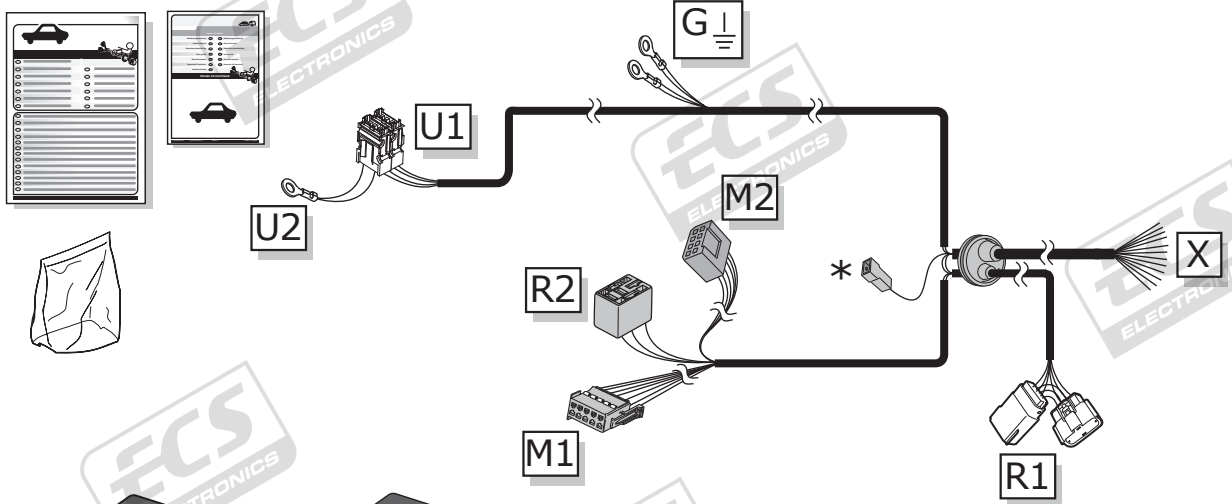
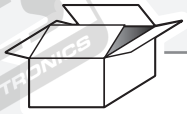
- Fitting instructions electric wiring kit tow bar with 13-P socket up to DIN/ISO Norm 11446.
- We would expressly point out that assembly not carried out properly by a competent installer will result in cancellation of any right to damage compensation, in particular those arising by virtue of the product liability act.
- Contents of these kits and their fitting manuals are subject to alteration without notice, please ensure that these instructions are read and fully understood before commencing installation.
- Do not overload circuits; the maximum loads per connection are detailed in this manual.
- Attention! Before Installation, please read this manual carefully and inform your customer to consult the vehicle owners manual to check for any vehicle modifications required before towing.
- In the event of functional problems, troubleshooting must be limited to about 0.5 hours, contact the technical support:  
[t.skinner@ecs-electronics.com](mailto:t.skinner@ecs-electronics.com) / 07440 202 052.


**TECHNICAL SUPPORT**

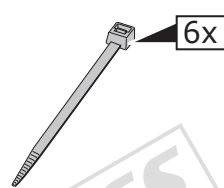
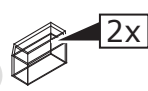
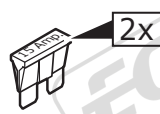
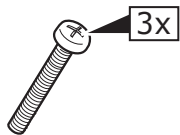
**CALL**  
**07440**  
**202**  
**052**

**ECS ELECTRONICS**  
MONDAY TO FRIDAY  
08.00 - 11.00 am  
12.00 - 05.00 pm  
[t.skinner@ecs-electronics.com](mailto:t.skinner@ecs-electronics.com)  
[www.ecs-electronicsuk.co.uk](http://www.ecs-electronicsuk.co.uk)

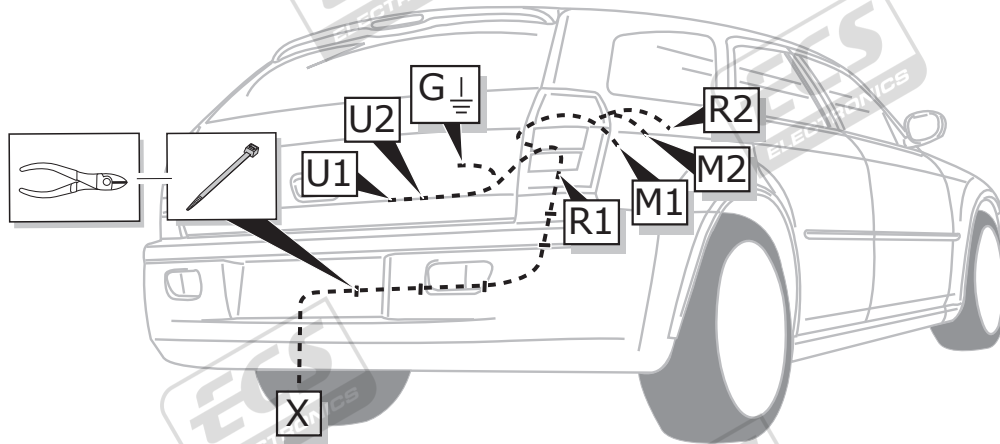
# Part list



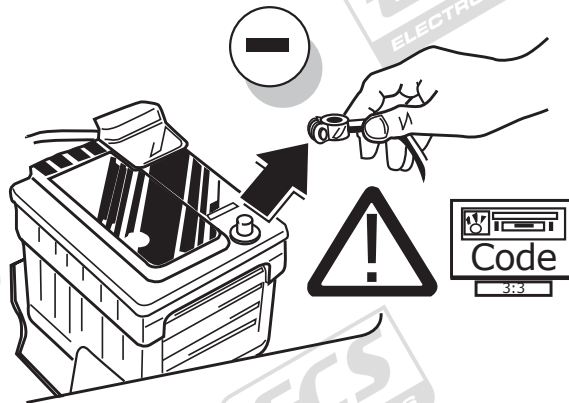
\* preparation for Red 



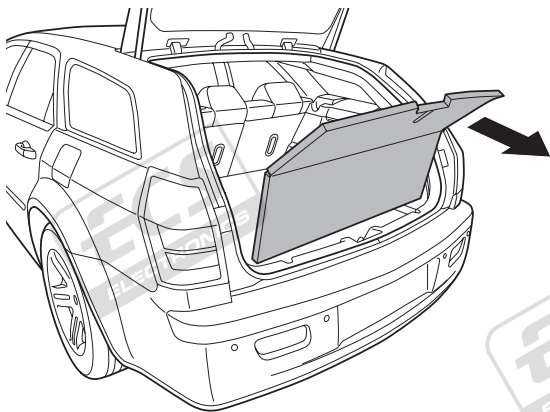
# ROUTING



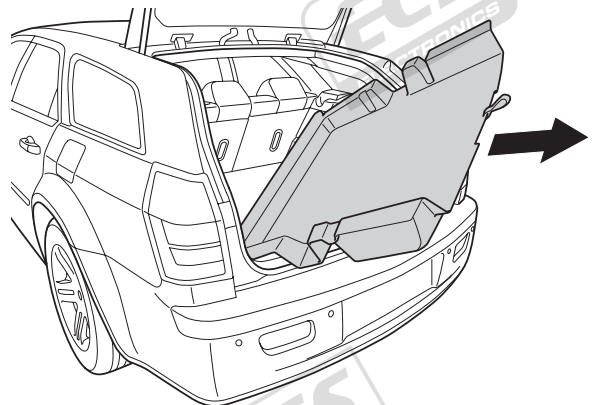
1



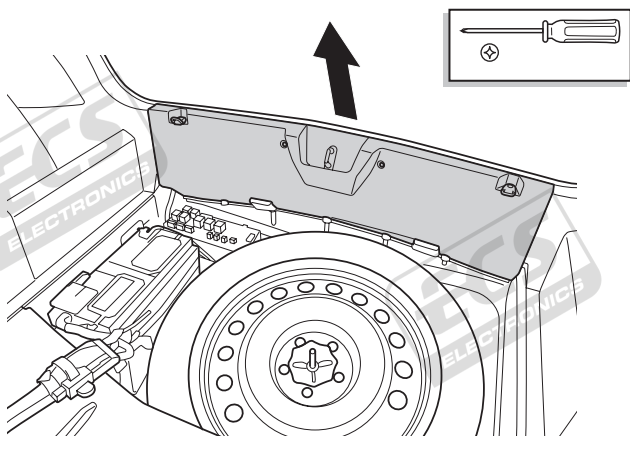
2



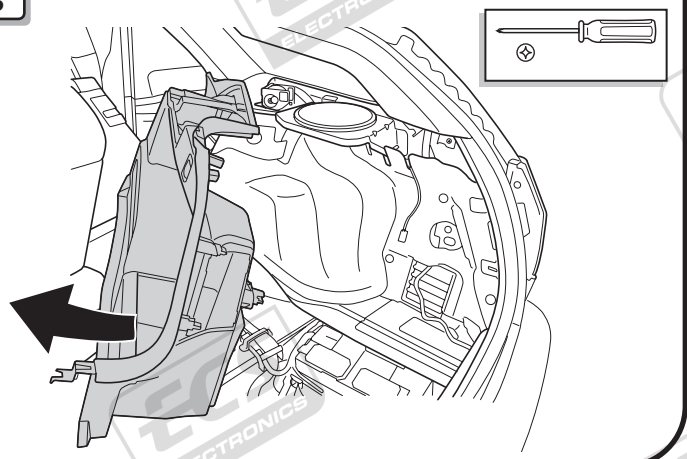
3

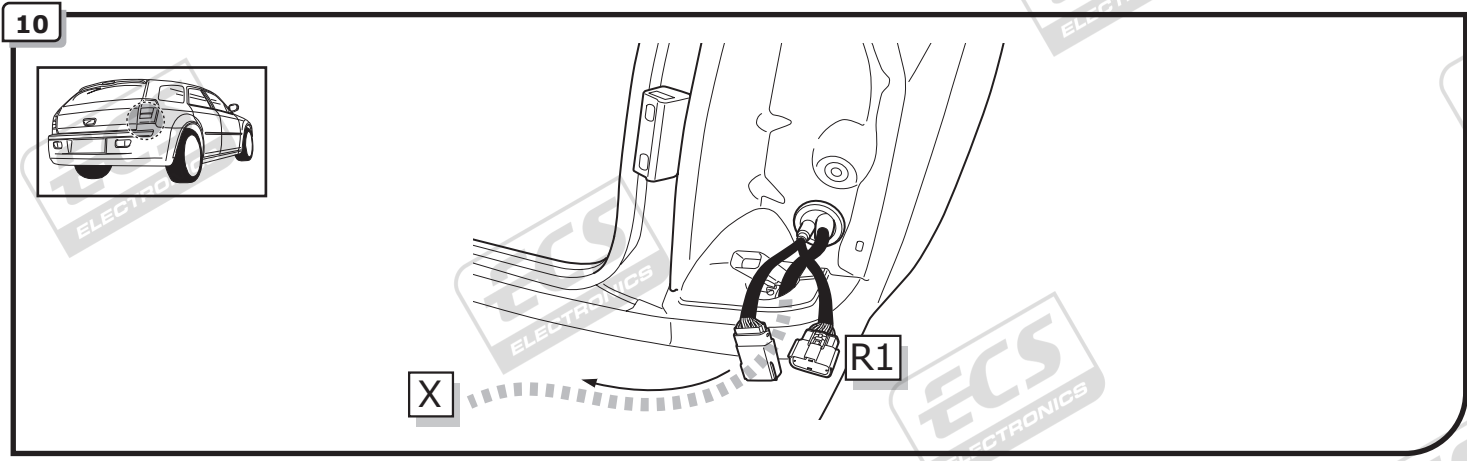
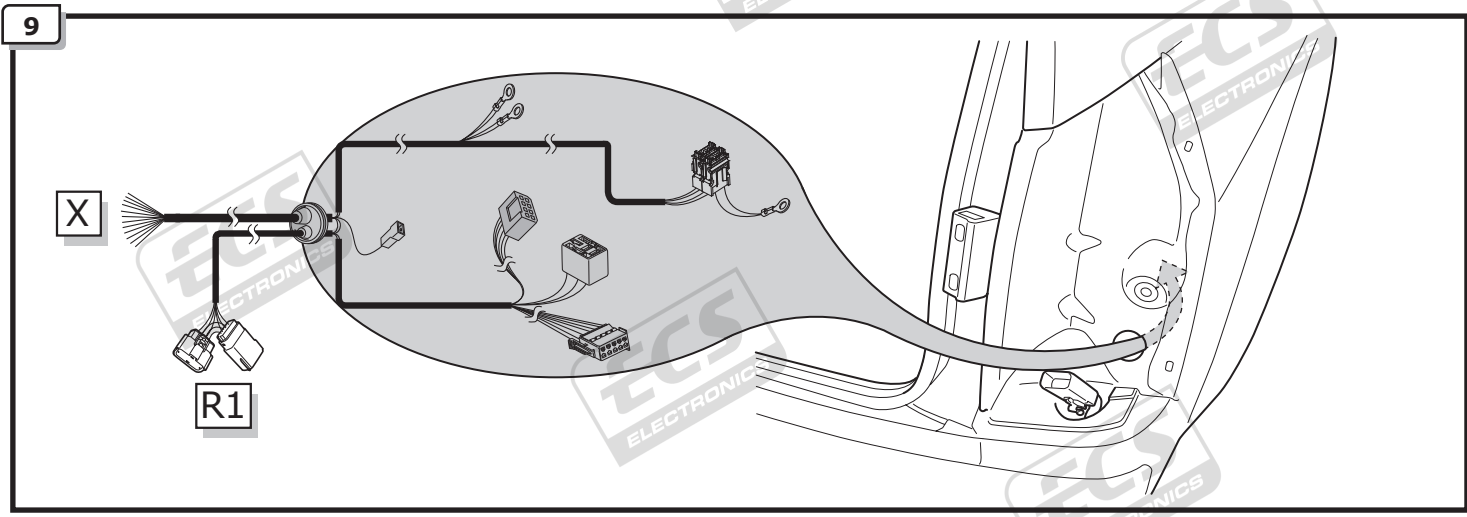
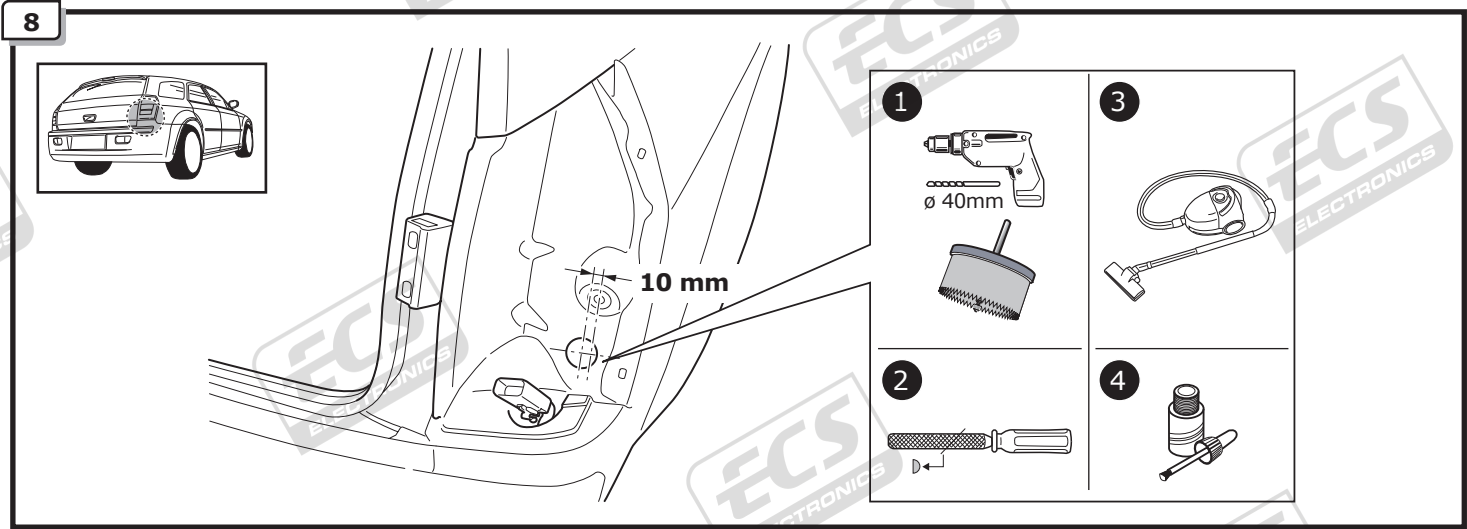
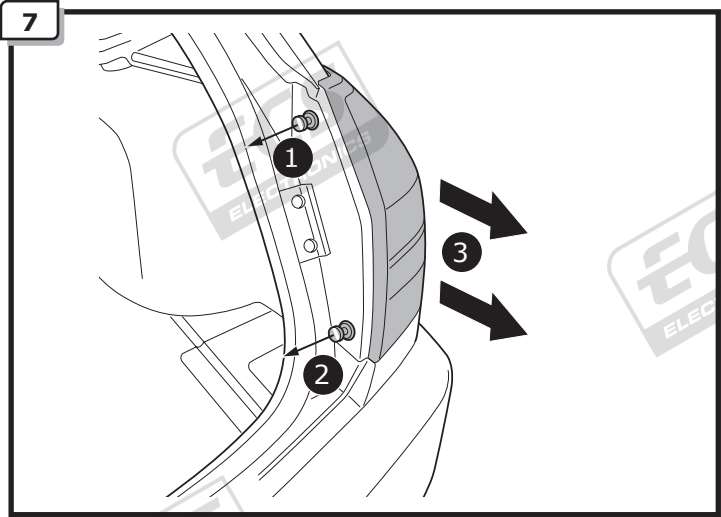
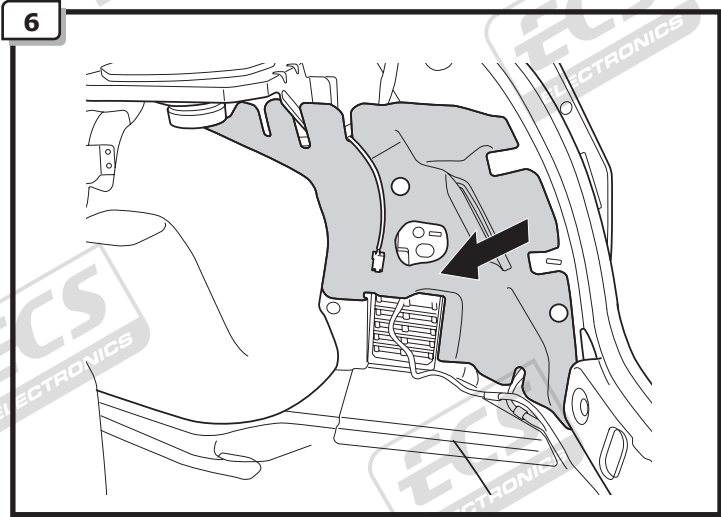


4

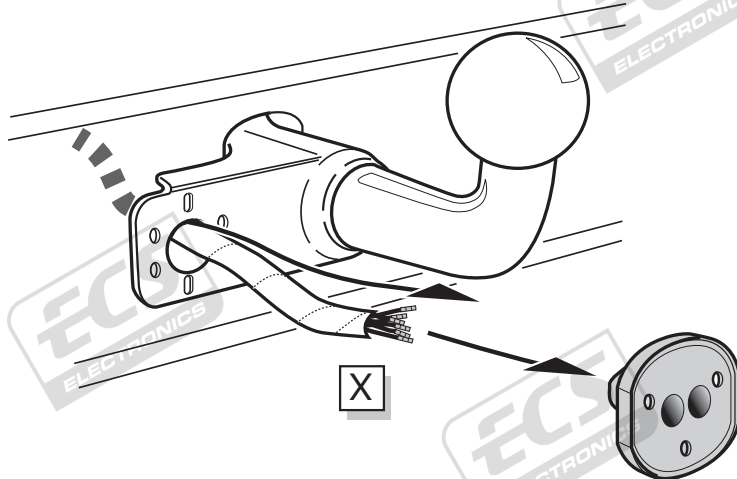


5





A



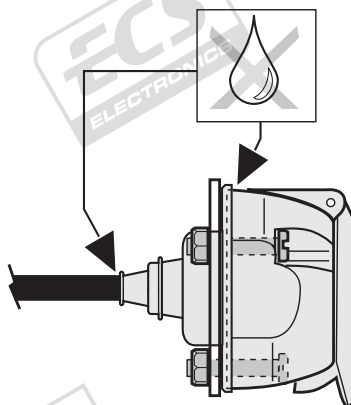
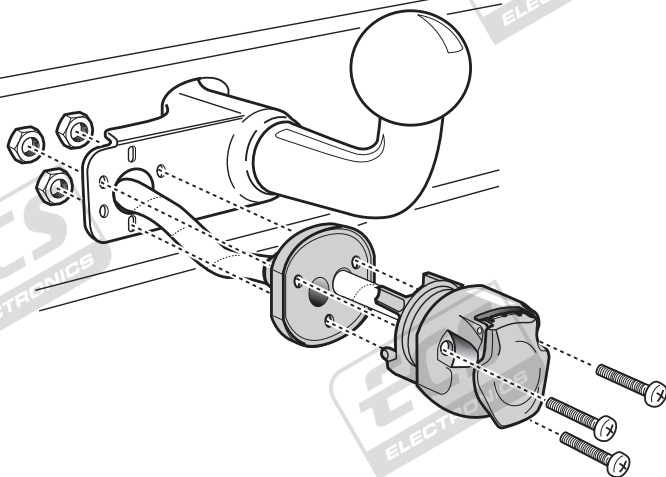
INFO

SOCKET CONNECTION

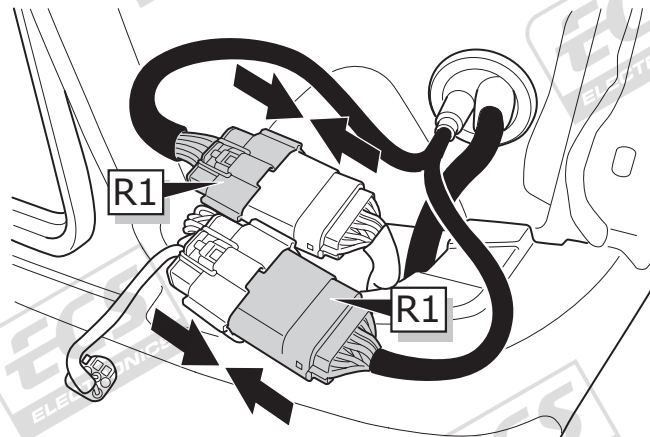
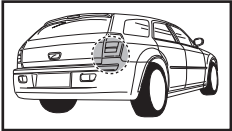


Pag. 8

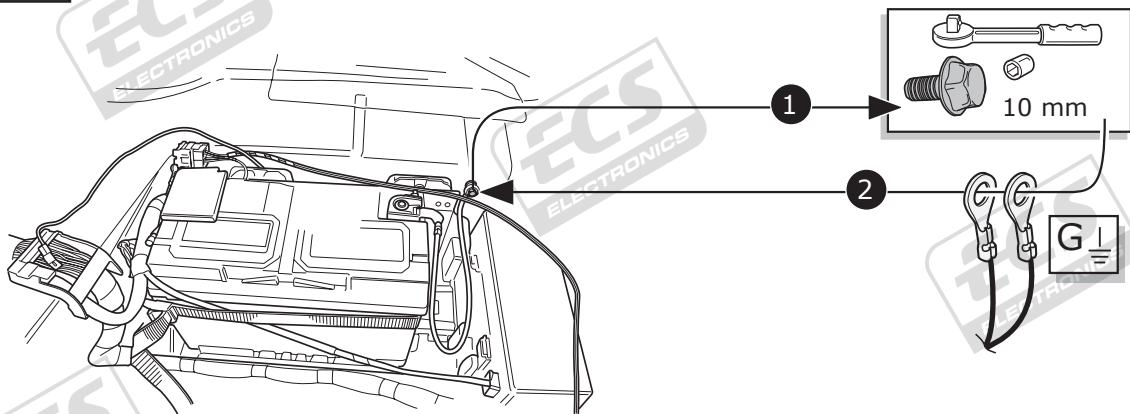
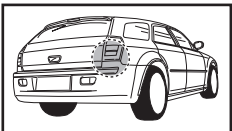
B



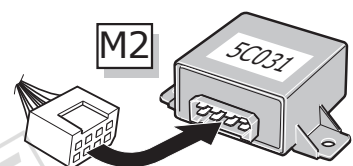
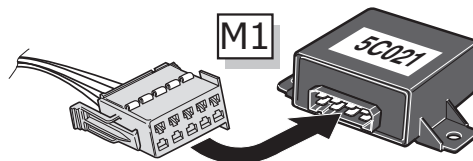
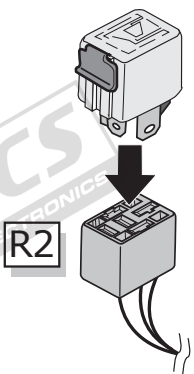
11



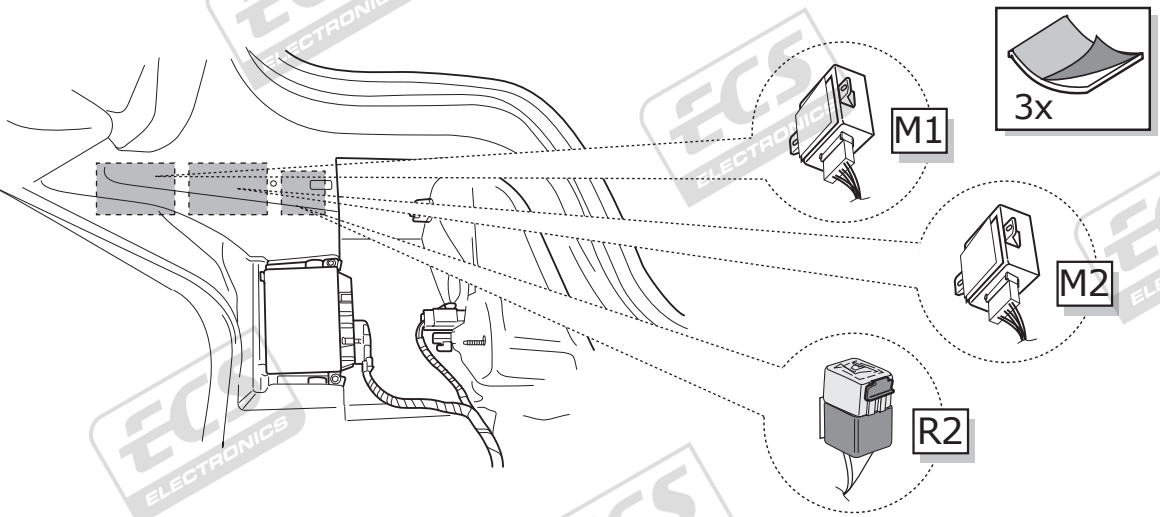
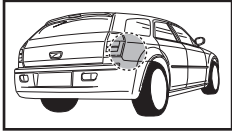
12



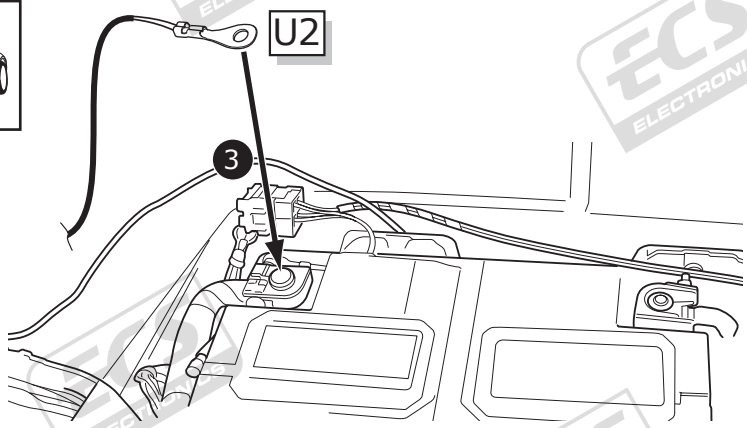
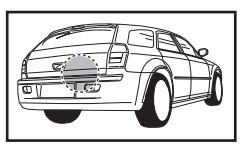
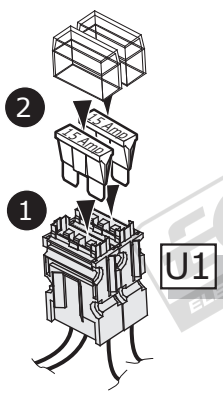
13



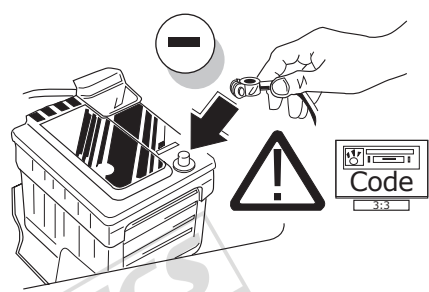
14



15



16



17

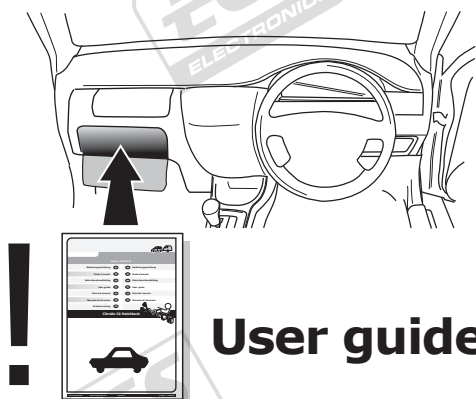


TEST ALL THE CIRCUITS WITH A TEST DEVICE WITH THE CORRECT POWER LOAD FOR EACH FUNCTION. A TEST DEVICE WITH LED'S CANNOT BE USED FOR THIS PURPOSE.

**INFO**

REINSTALL TRIM.

**18**



**User guide**



**INFO**

SOCKET CONNECTION

DIN/ISO 11446												—	
	1/L	2	3/31	4/R	5/58-R	6/54	7/58-L	8	9	10	11	12	13
Pmax	21W	2x21W		21W	52W	3x21W	52W	2x21W	180W/15Amp	180W/15Amp			
Colour	Yellow	Blue	White	Green	Brown	Red 1,00 mm <sup>2</sup>	Black	Black/ Red	Brown/ White	Red 2,50 mm <sup>2</sup>	White	Red/ Blue	White