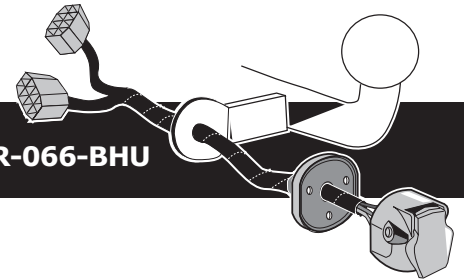


**Jeep Grand Cherokee 05/2013 >>**  
**Jeep Grand Cherokee 2016 >>**

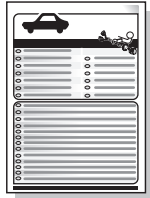
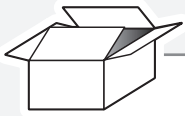
Partnr.: CR-066-BHU



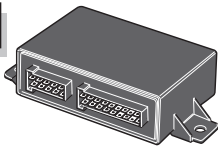
- Fitting instructions electric wiring kit tow bar with 12-N socket up to DIN/ISO Norm 1724.
- We would expressly point out that assembly not carried out properly by a competent installer will result in cancellation of any right to damage compensation, in particular those arising by virtue of the product liability act.
- Contents of these kits and their fitting manuals are subject to alteration without notice, please ensure that these instructions are read and fully understood before commencing installation.
- Do not overload circuits; the maximum loads per connection are detailed in this manual.
- Attention! Before Installation, please read this manual carefully and inform your customer to consult the vehicle owners manual to check for any vehicle modifications required before towing.
- In the event of functional problems, troubleshooting must be limited to about 0.5 hours, contact the technical support:  
[ukts@ecs-electronics.com](mailto:ukts@ecs-electronics.com) / 07440 202 052.



# Part list



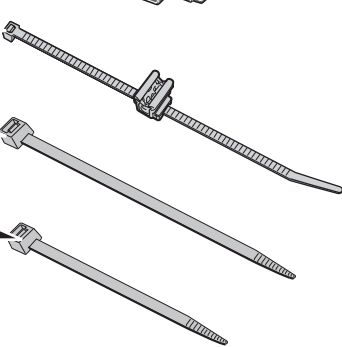
M



1x

5x

15x

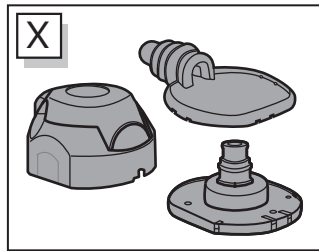


OPTION  
PDC \*

L



B



X

U1

U2

M

B

G

R

A1

A2

4x

2x

UN-243-YZ

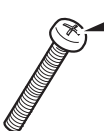
Optional reverse lamp  
pre-wire extension included



Page 16



3x



3x



8x



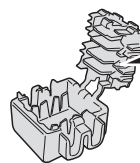
1x



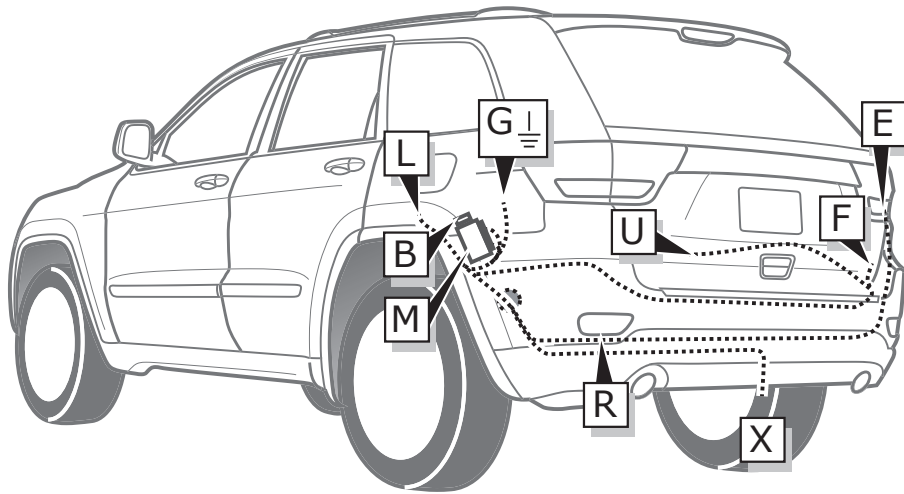
1x



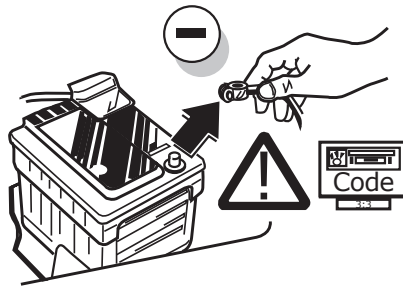
3x



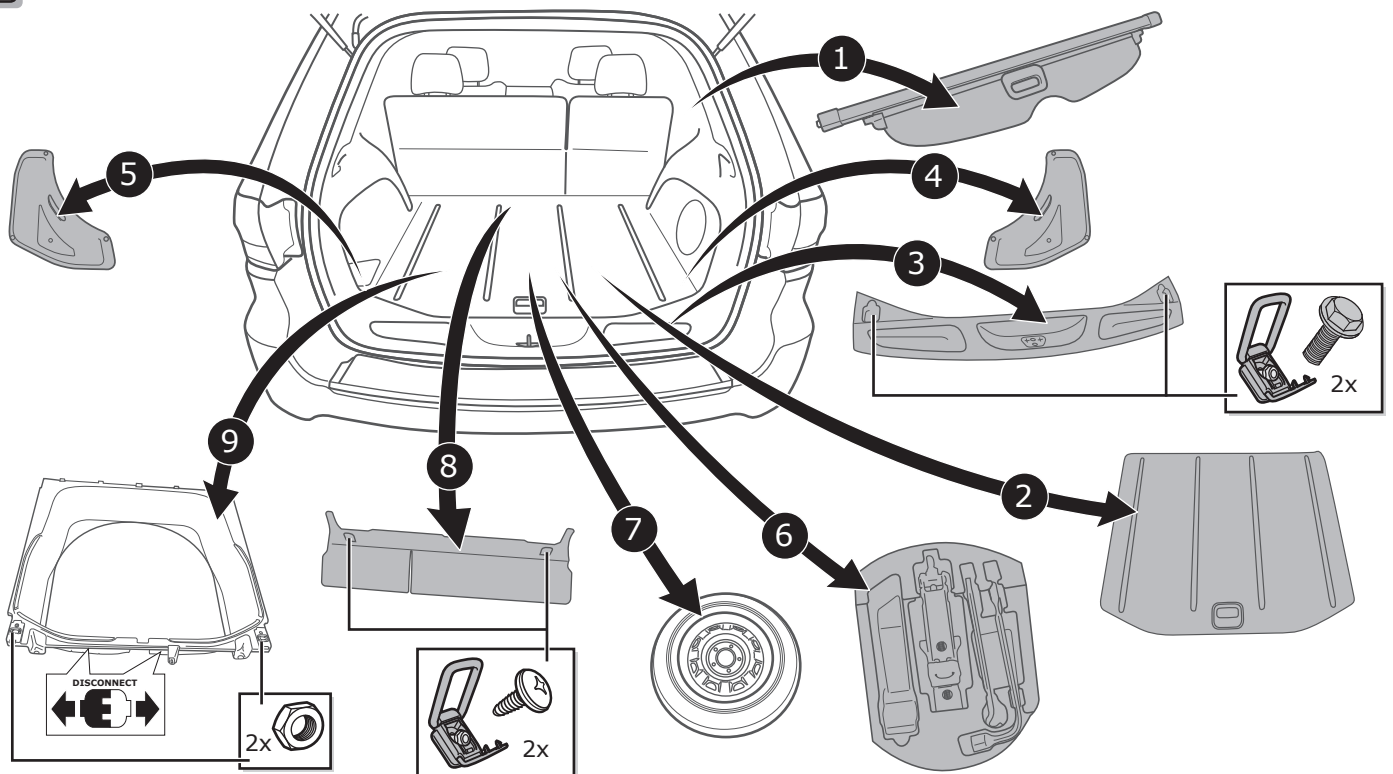
**ROUTING**



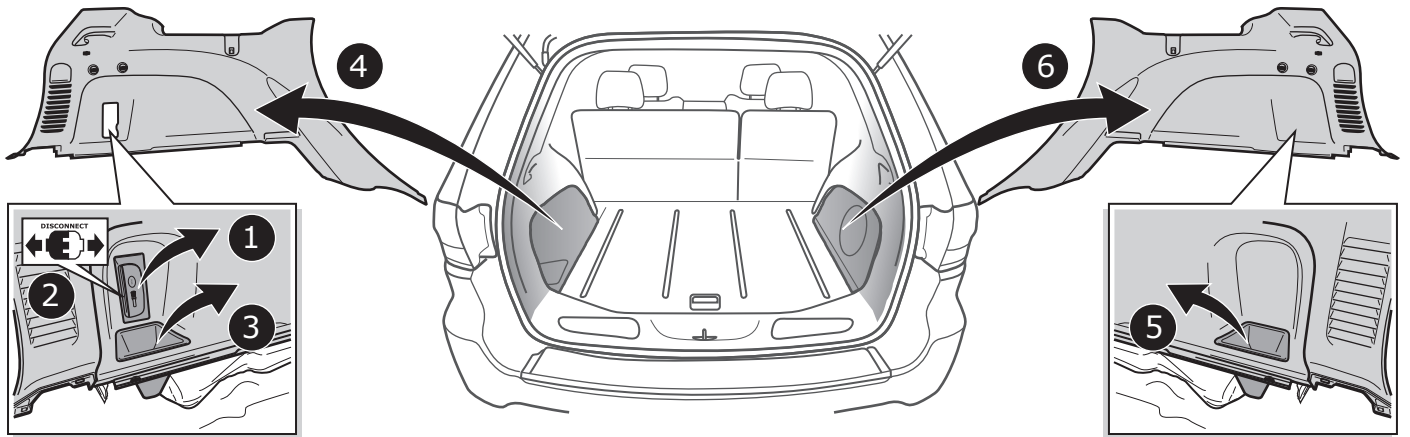
**1**



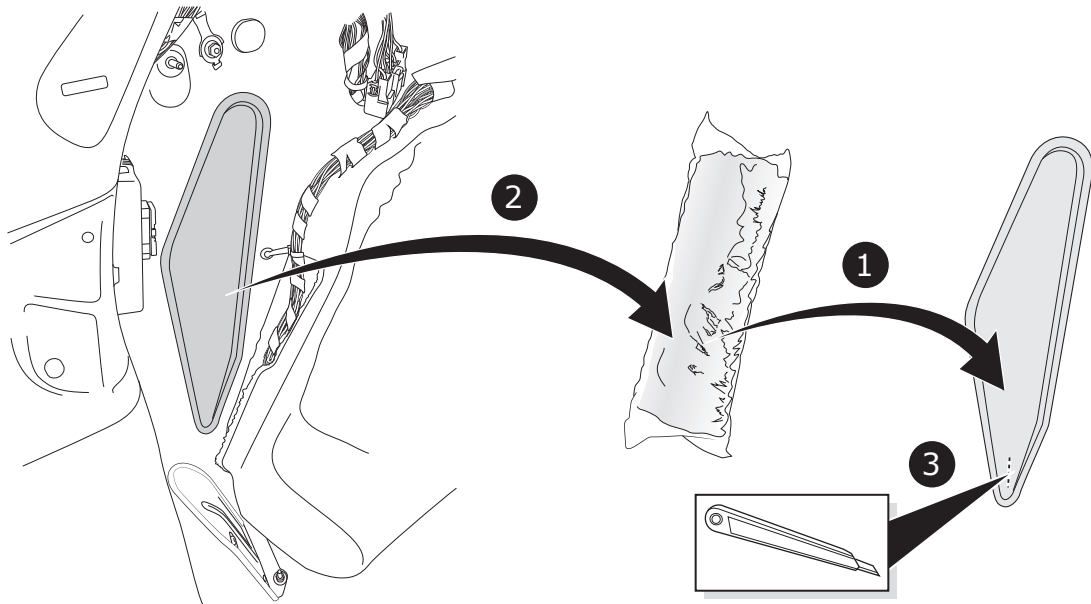
**2**



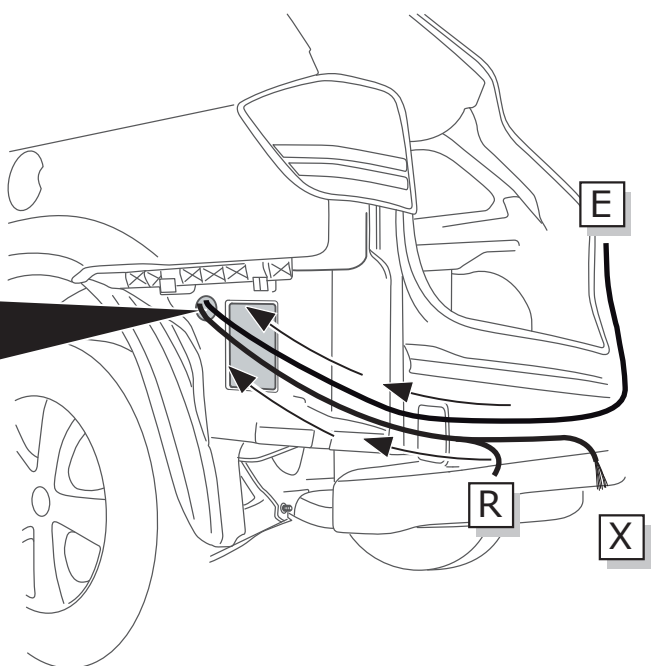
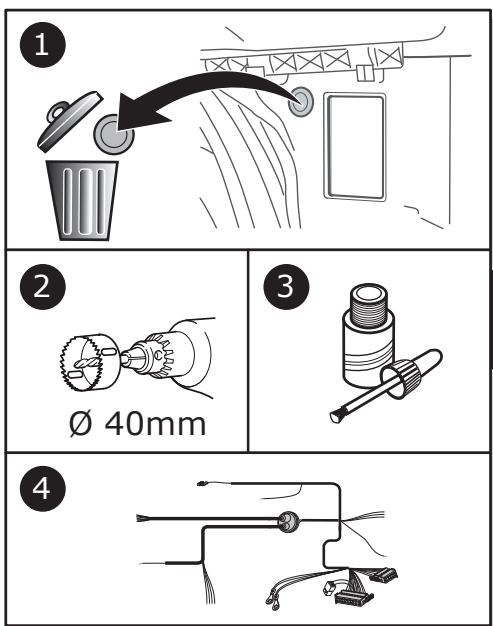
3



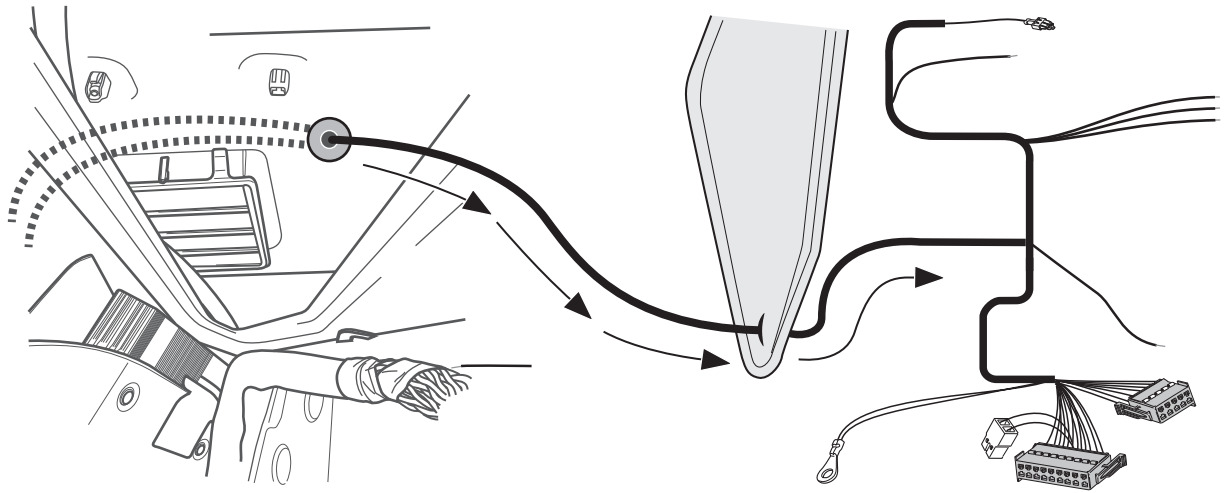
4



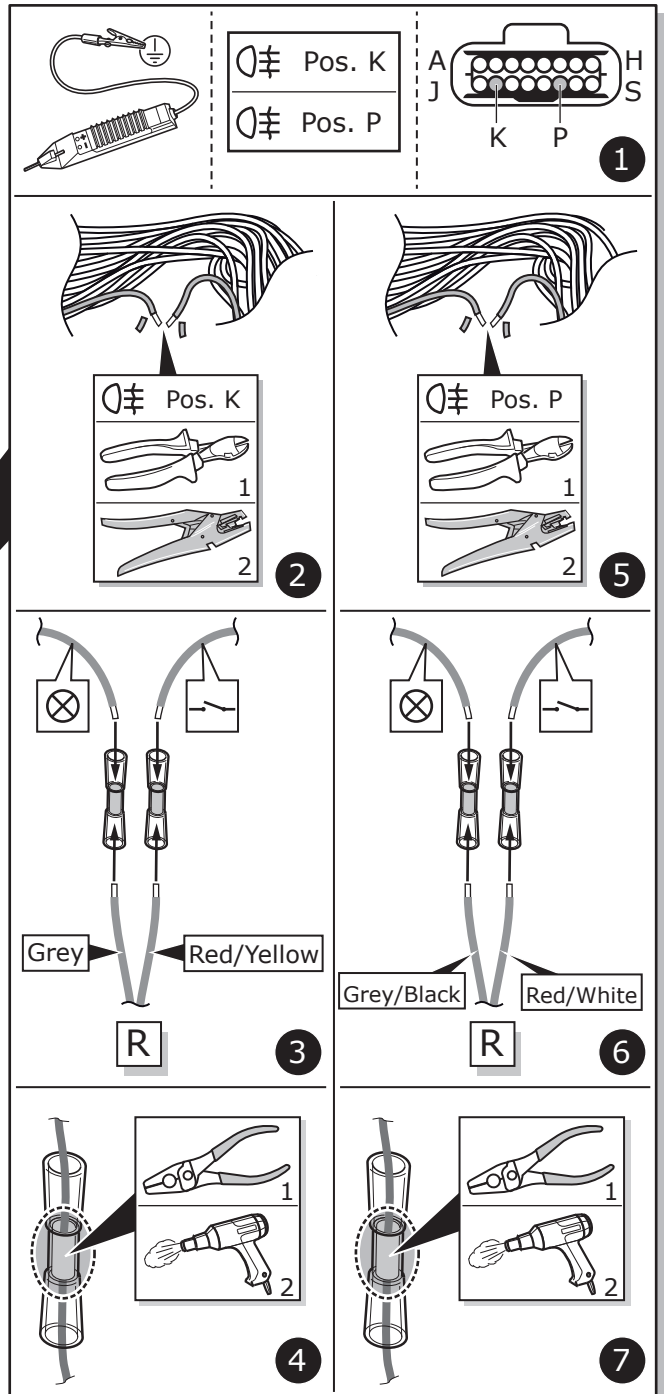
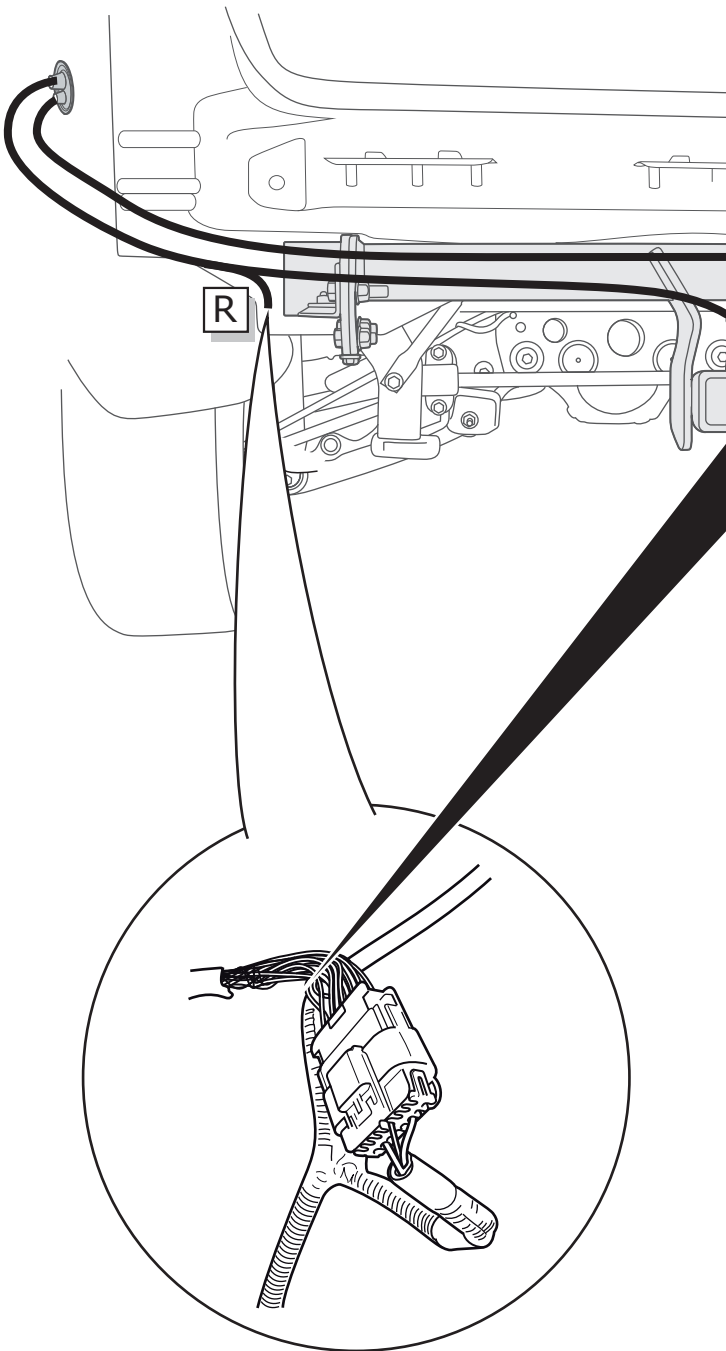
5



6



7



8

4x

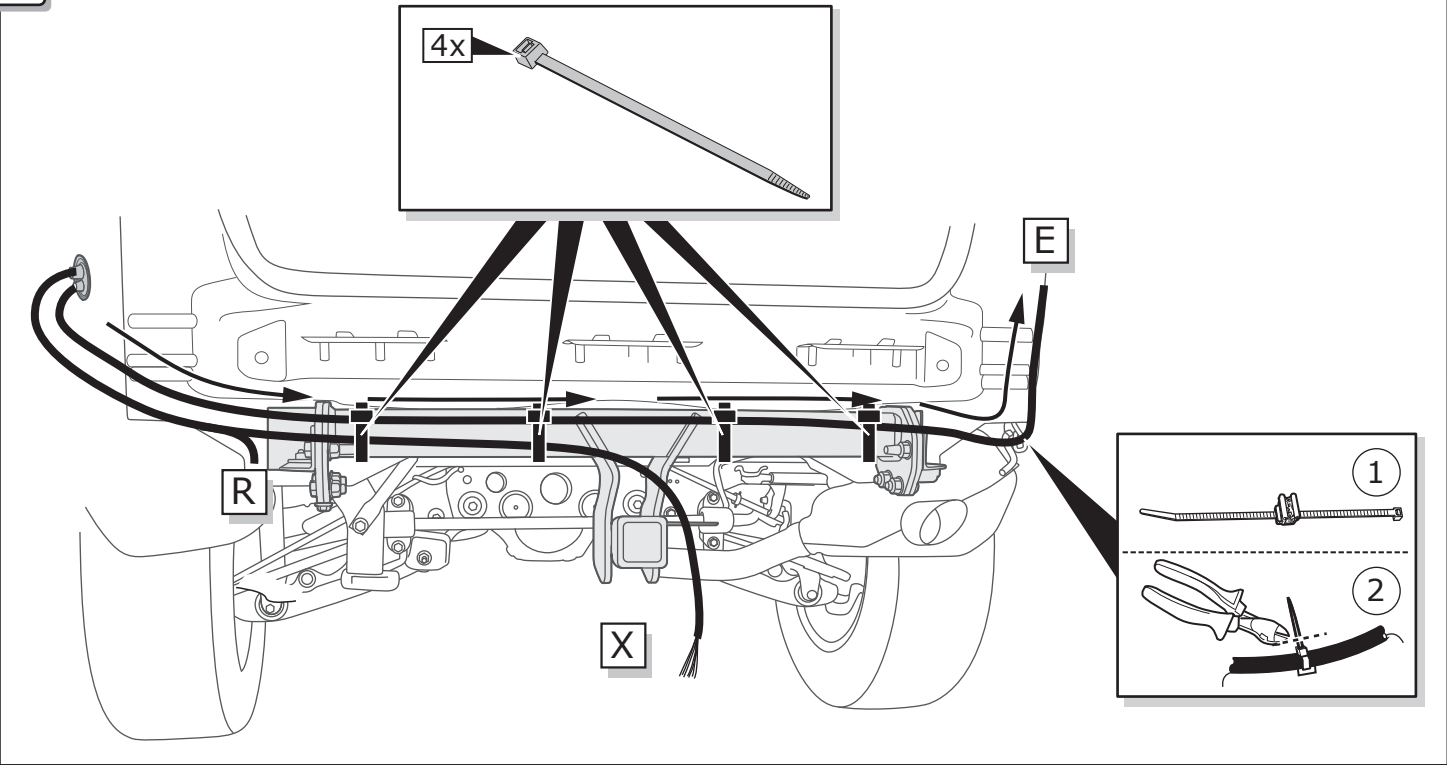
E

R

X

1

2



A

Option 1

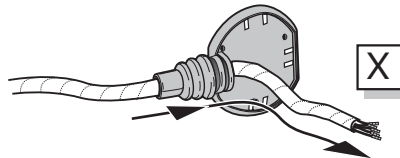
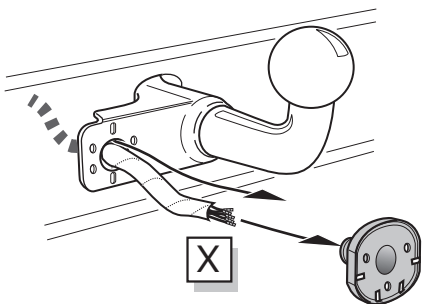
Option 2

INFO

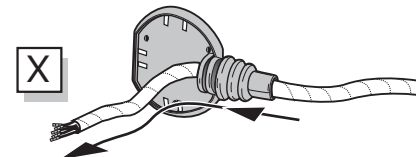
SOCKET CONNECTION



Page 15

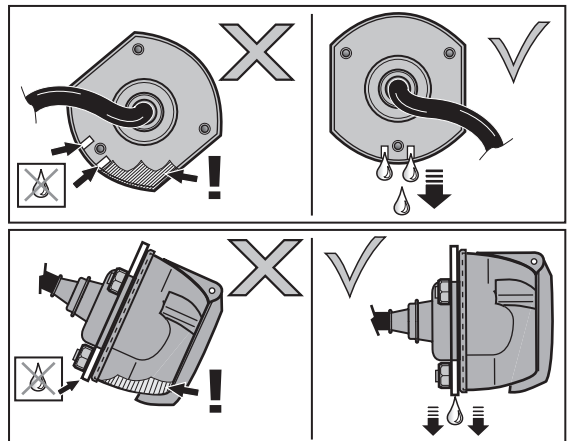
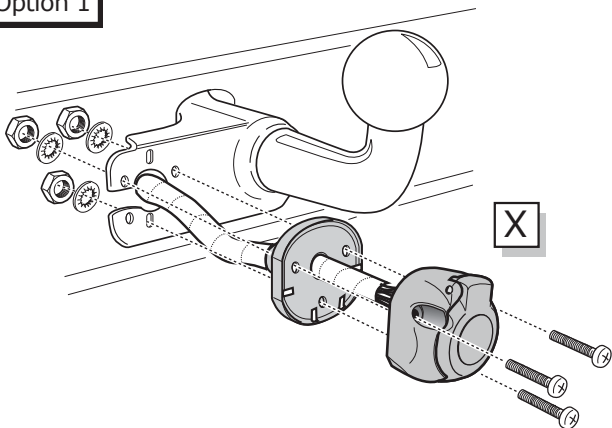


Option 3



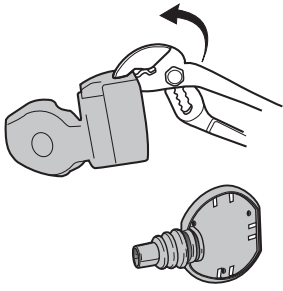
B

Option 1

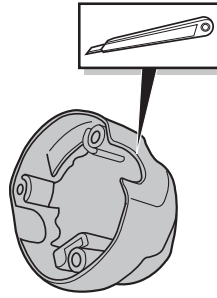


C

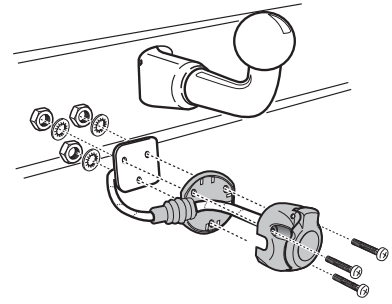
Option 2



1



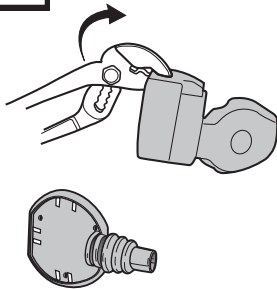
2



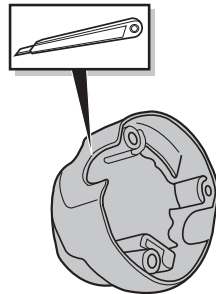
3

D

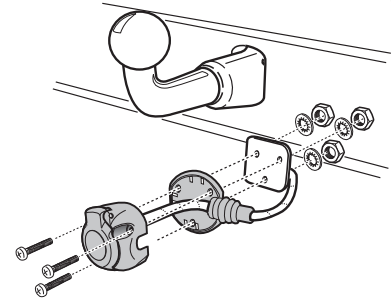
Option 3



1



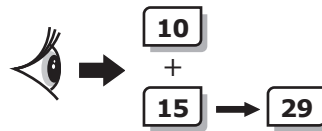
2



3

9

JEEP Grand Cherokee  
05/2013 >> MY 2015

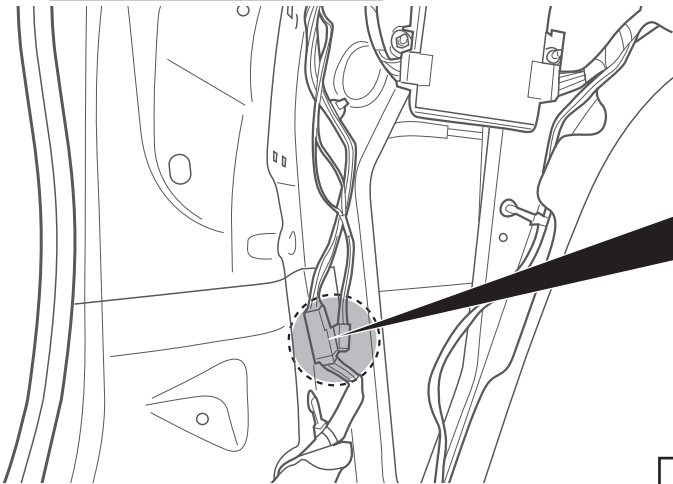


JEEP Grand Cherokee  
MY 2016 >>

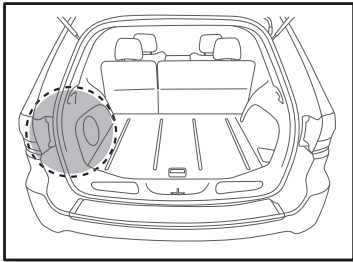


10

JEEP Grand Cherokee  
05/13 >> MY 2015



L ←	PIN 3		
L ☀	PIN 11		
L STOP	PIN 5		



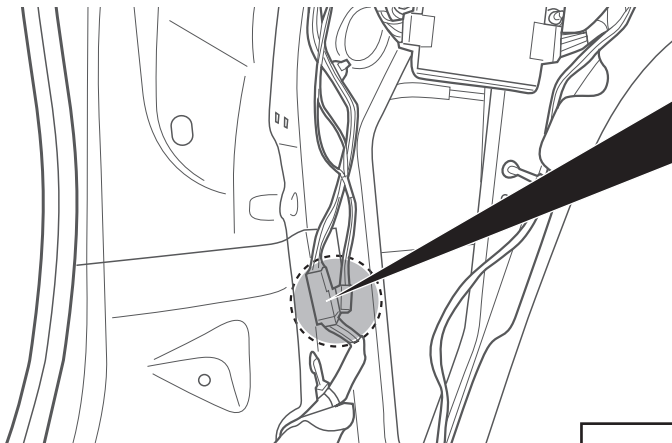
- 1
- 2
- 3
- 4

L

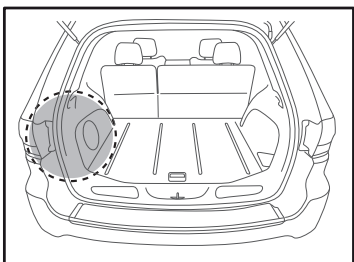
- Black/Yellow → ← L ←
- Purple/Black → ← L ☀
- Blue/Red → ← L STOP

11

JEEP Grand Cherokee  
MY 2016 >>



L ☀	PIN 11		
L STOP	PIN 5		



- 1
- 2
- 3
- 4

L

- Black/Yellow → ← L ←
- Purple/Black → ← L ☀
- Blue/Red → ← L STOP



**12** JEEP Grand Cherokee MY 2016 >>

**1**

**2**

**3**

**13** JEEP Grand Cherokee MY 2016 >>

**1**

**2**

**A2**

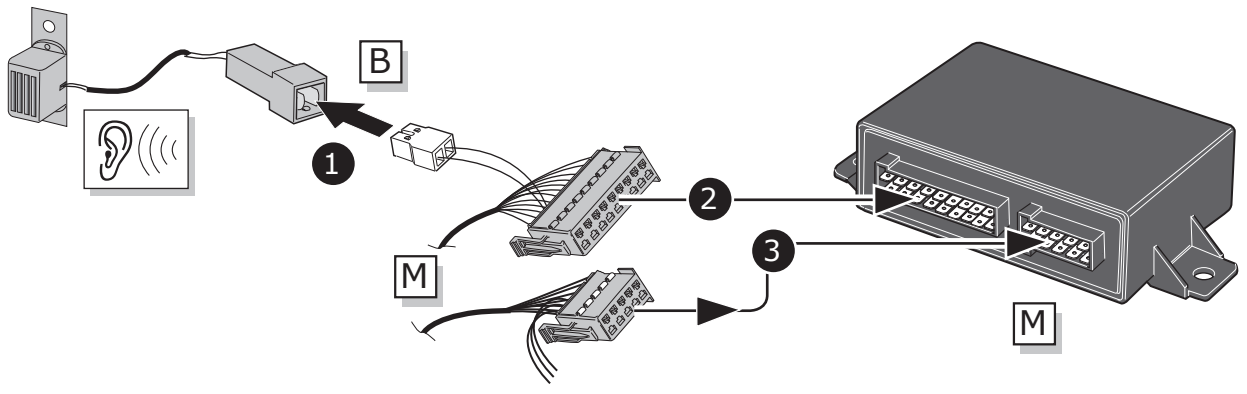
**14**

**1**

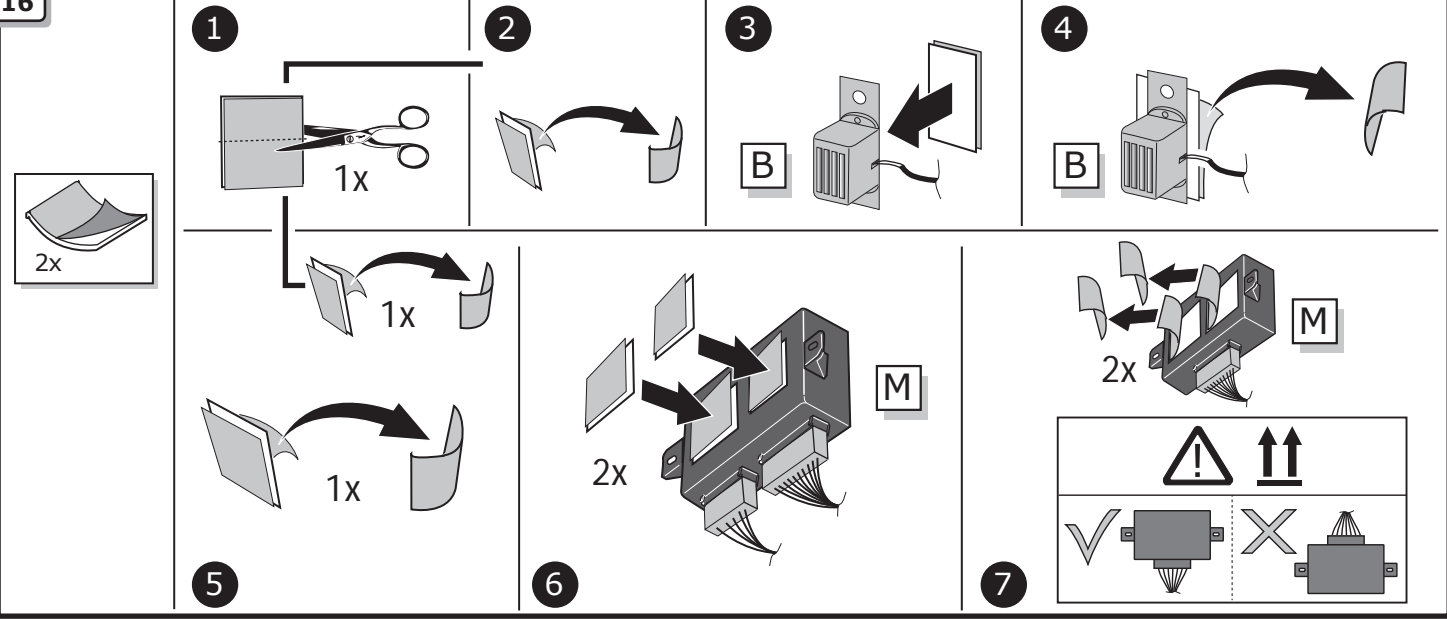
**2**

**3**

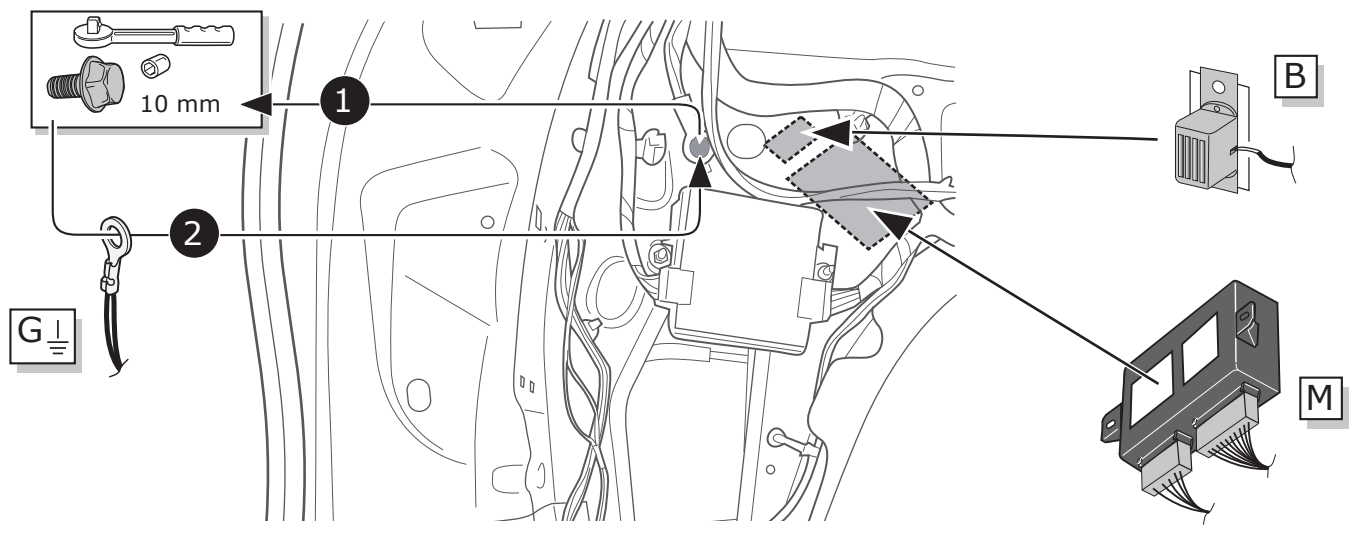
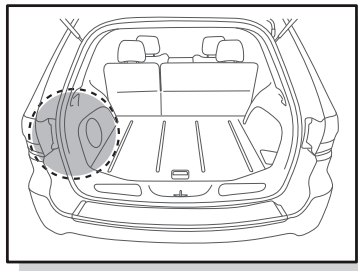
15

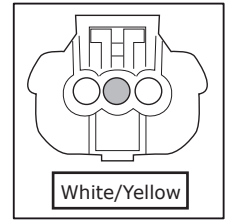
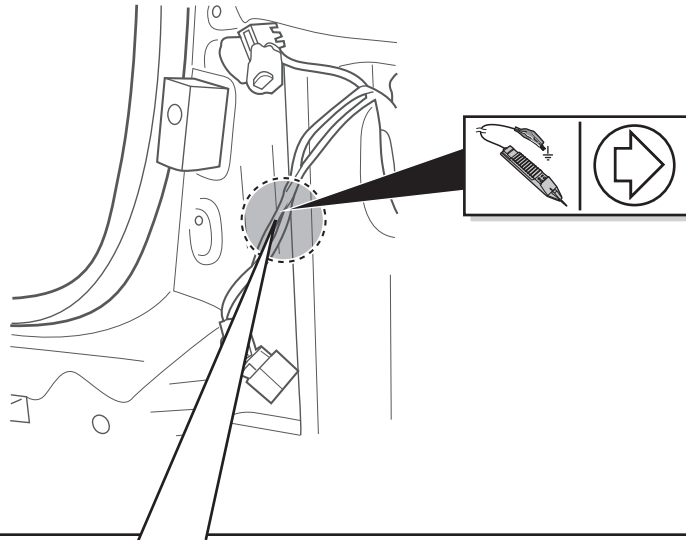
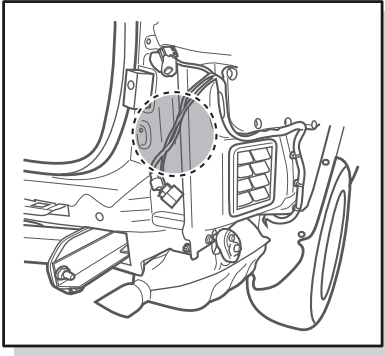


16

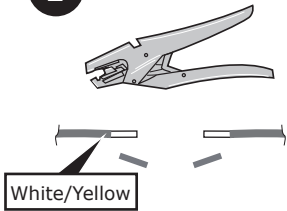


17

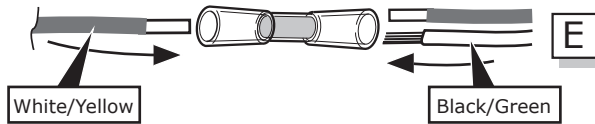




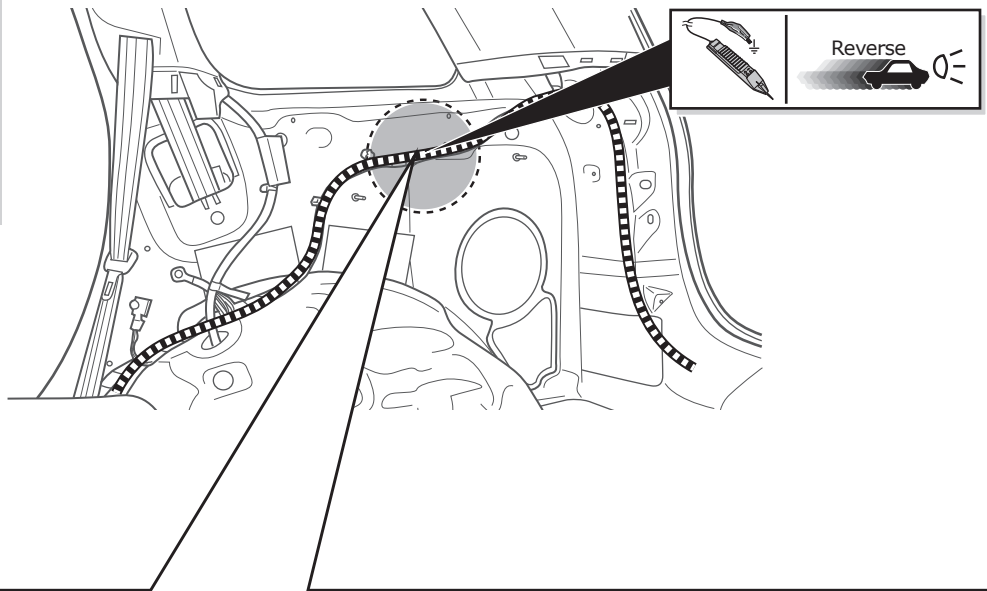
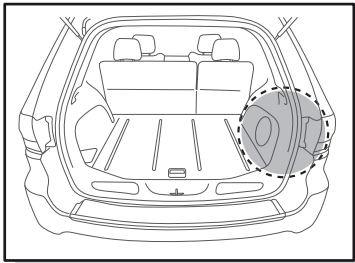
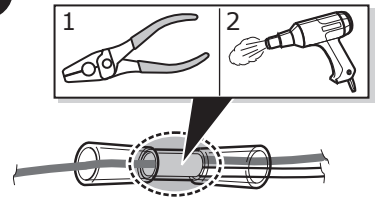
1



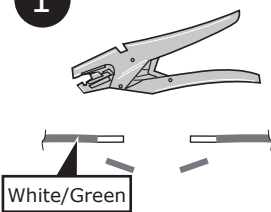
2



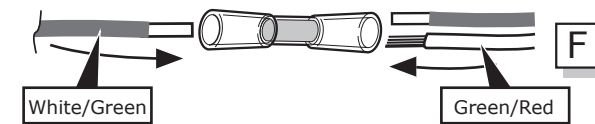
3



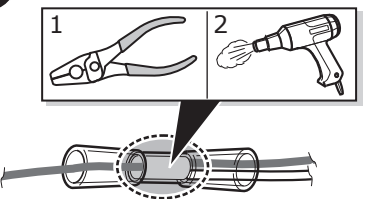
1



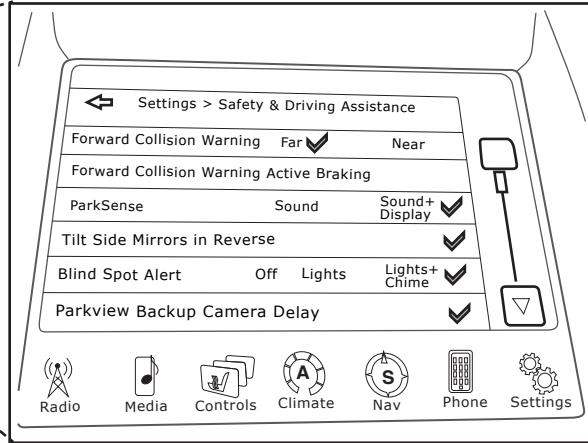
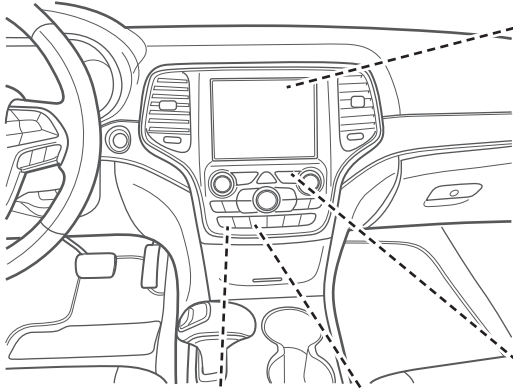
2



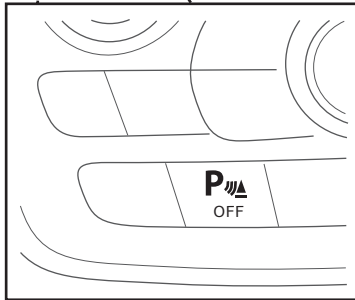
3



Option 1: Vehicles with Factory-Fitted PDC-System

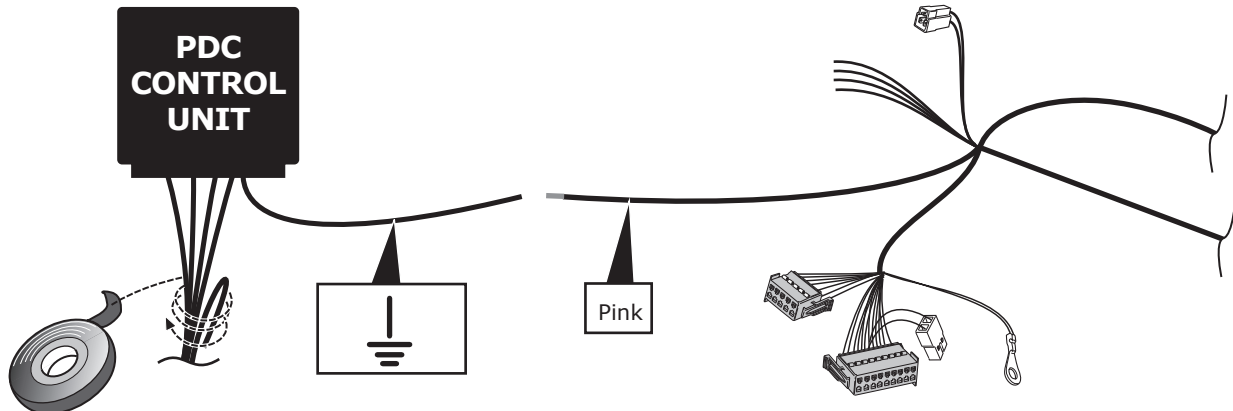
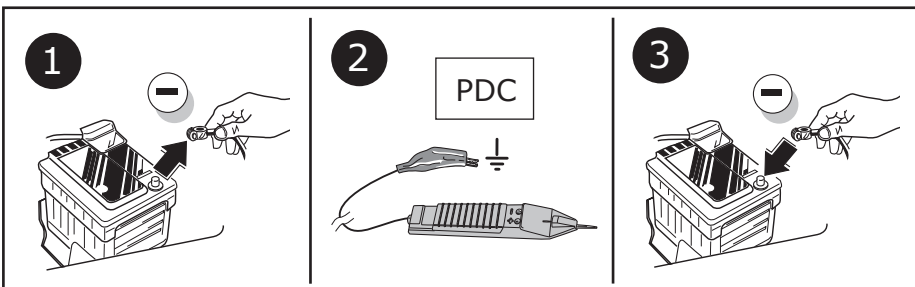


➔ Press "PDC OFF"



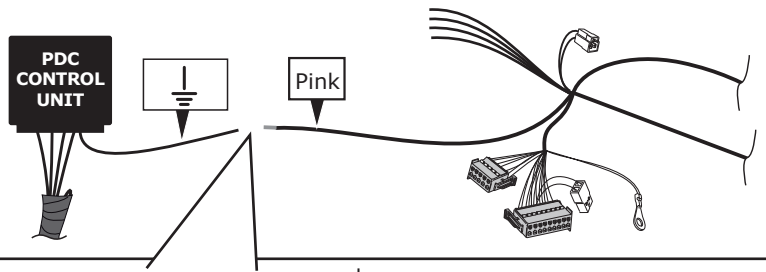
- ➔ Touchscreen Modus "Settings"
- ➔ Selection "Safety and Driving Assistance"
- ➔ Blind Spot Alert "Lights+Chime" ✓

Option 2: Vehicles with MOPAR PDC-System

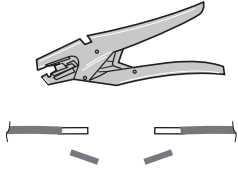


22

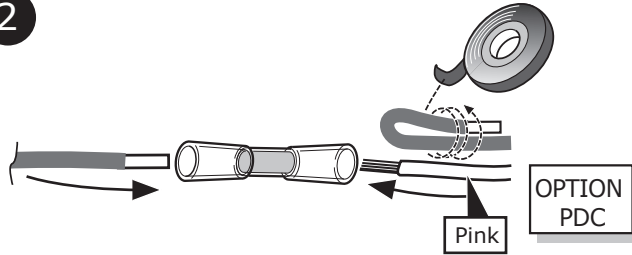
Option 3: Vehicles with MOPAR PDC-System



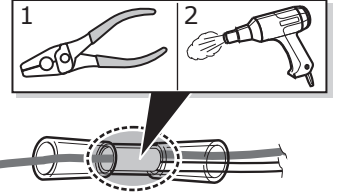
1



2

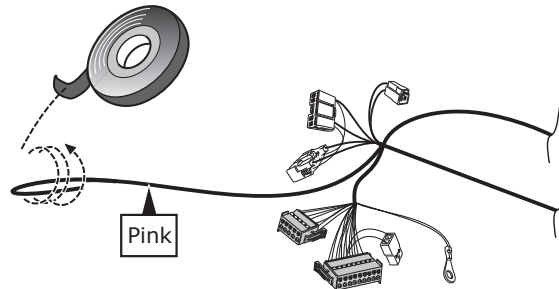
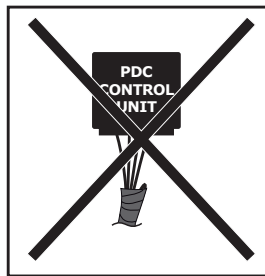


3

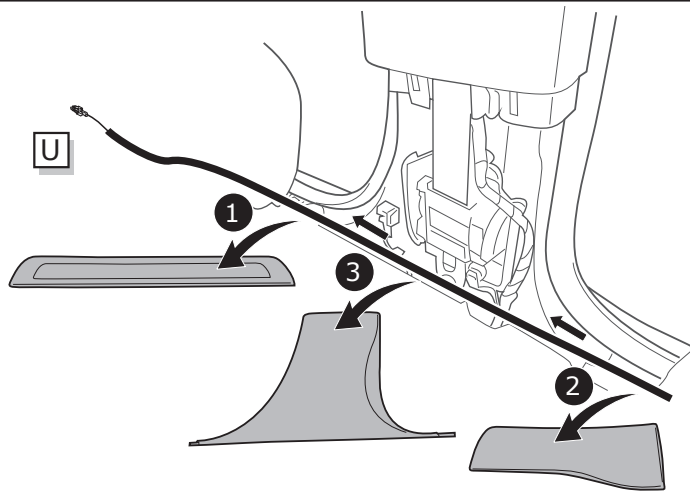
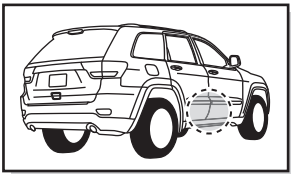


23

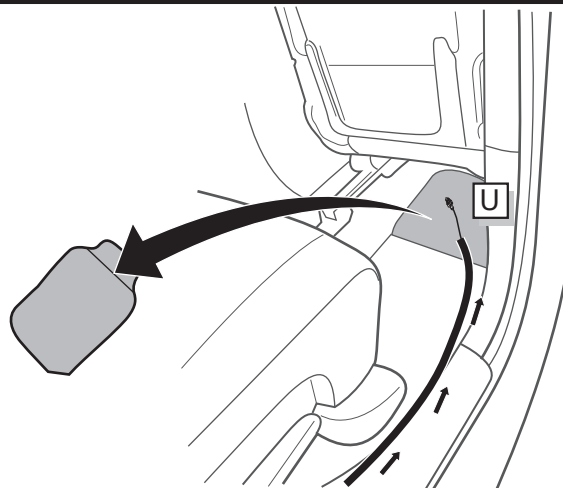
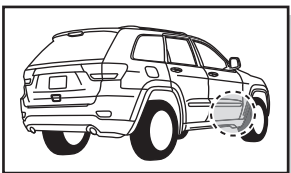
Option 4: Vehicles without PDC-System



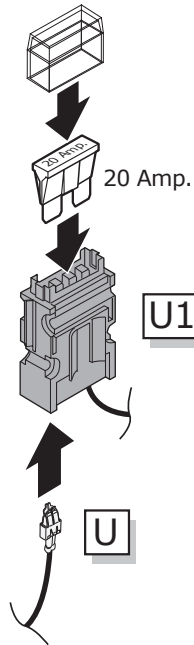
24



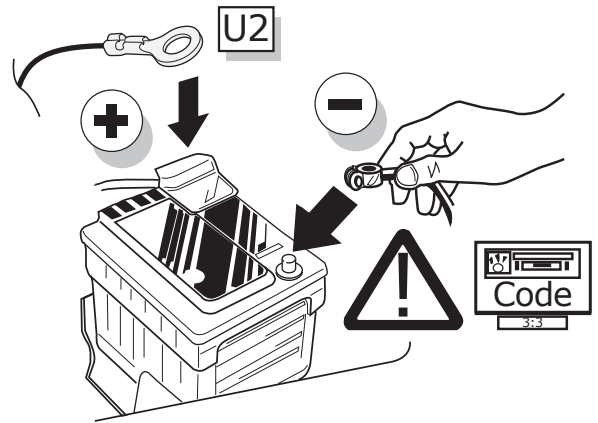
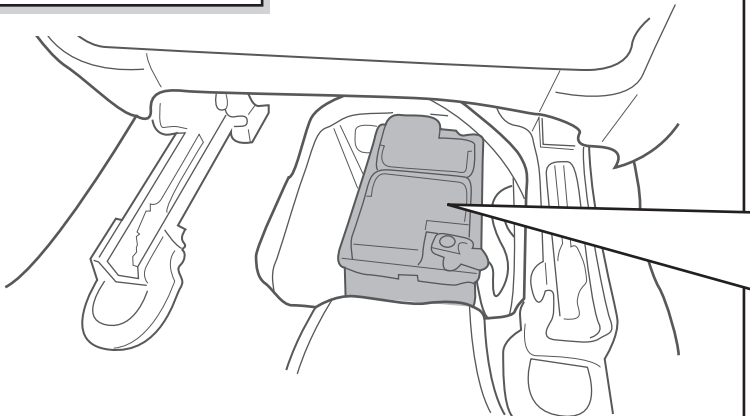
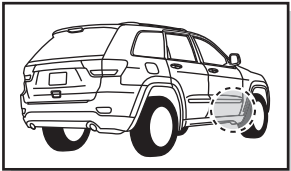
25



26



27



28

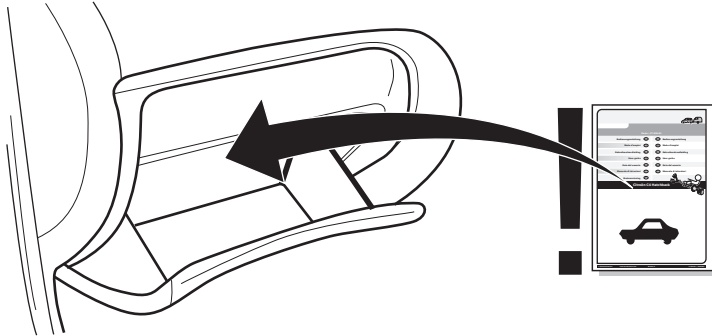


TEST ALL THE CIRCUITS WITH A TEST DEVICE WITH THE CORRECT POWER LOAD FOR EACH FUNCTION. A TEST DEVICE WITH LED'S CANNOT BE USED FOR THIS PURPOSE.

**INFO**

REINSTALL TRIM.

29

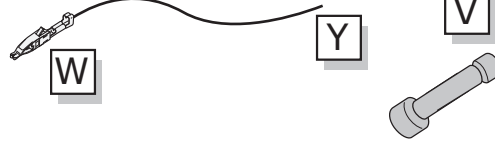


**INFO**

SOCKET CONNECTION

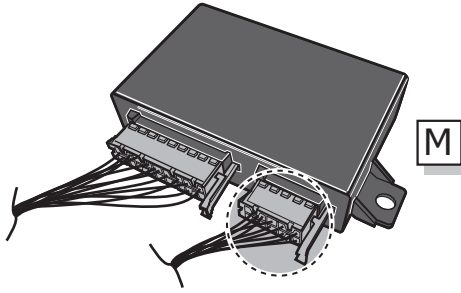
DIN/ISO 1724							
	1/L	2	3/31	4/R	5/58-R	6/54	7/58-L
Pmax	21W	2x21W		21W	52W	3x21W	52W
Colour	Yellow	Blue	White	Green	Brown	Red	Black

# UN-243-YZ Reverse lamp pre-wire extension

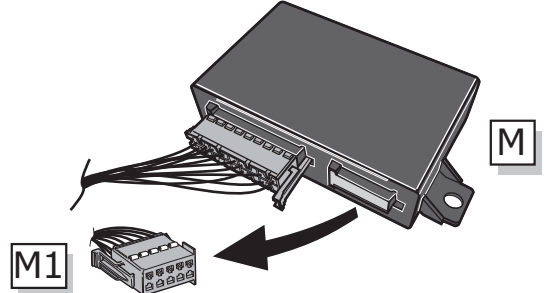


⚠ MAX = 2X21W

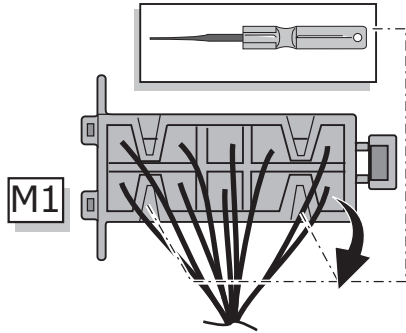
A



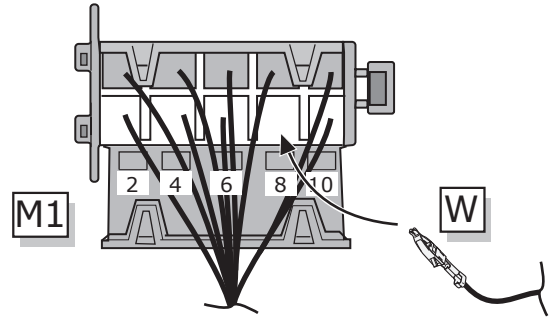
1



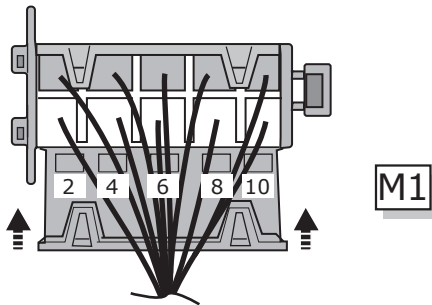
2



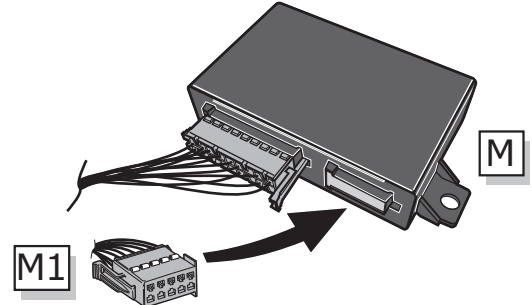
3



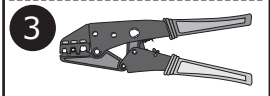
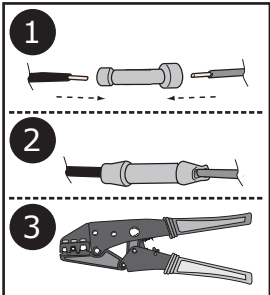
4



5



B



⚠ MAX = 2X21W

