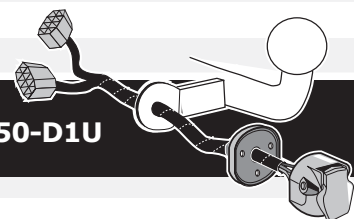




Citroën	C2		11/2005 >>
Citroën	C3		11/2005 >>
Citroën	C3	<i>Pluriel</i>	11/2005 >>
Citroën	C3	<i>Picasso</i>	2009 >>
Citroën	C3	<i>III (A51)</i>	2010 >>
Citroën	DS3		12/2009 >> 06/2018
Citroën	DS3	<i>Cabriolet</i>	03/2013 >> 06/2018
Citroën	C4	<i>Picasso</i>	03/2011 >> DAM 12531
Citroën	C4	<i>Grand Picasso</i>	03/2011 >> DAM 12531
Peugeot	207		2006 >>
Peugeot	207	<i>CC</i>	2007 >>
Peugeot	207	<i>SW</i>	2007 >>
Peugeot	308	<i>SW</i>	11/2008 >>
Peugeot	308		11/2008 >>
Peugeot	308	<i>CC</i>	2009 >>
Peugeot	3008		12/2009 >>
Peugeot	5008		10/2010 >>
Citroën	Berlingo		11/2011 >> 05/2015
Peugeot	Partner		11/2011 >> 05/2015

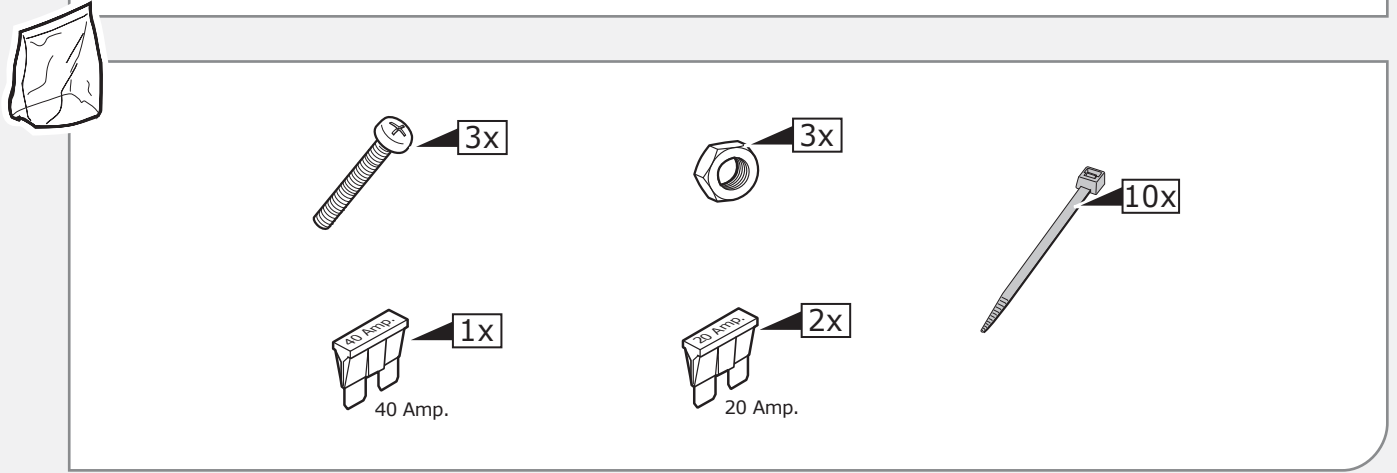
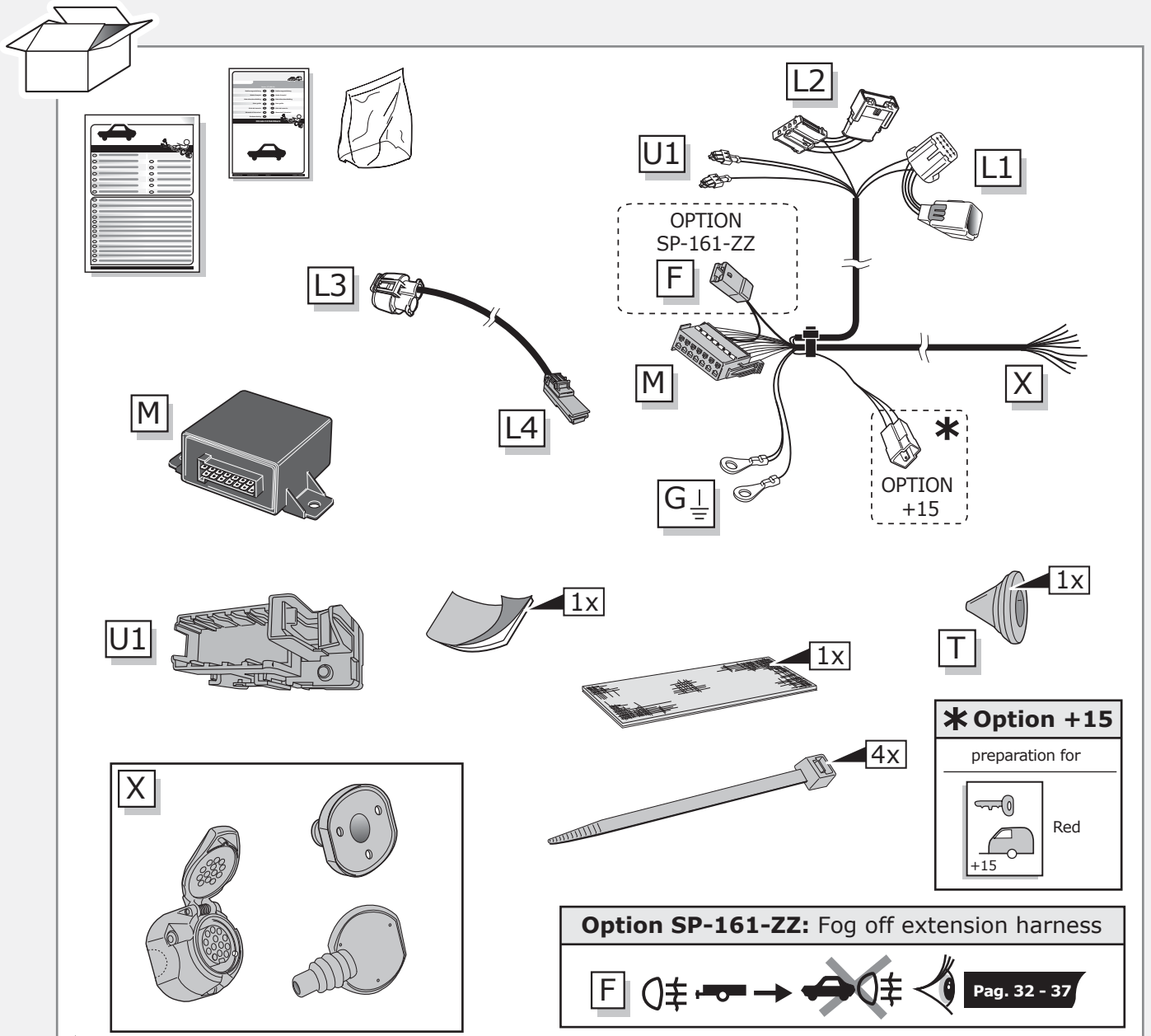
Partnr.: CT-050-D1U

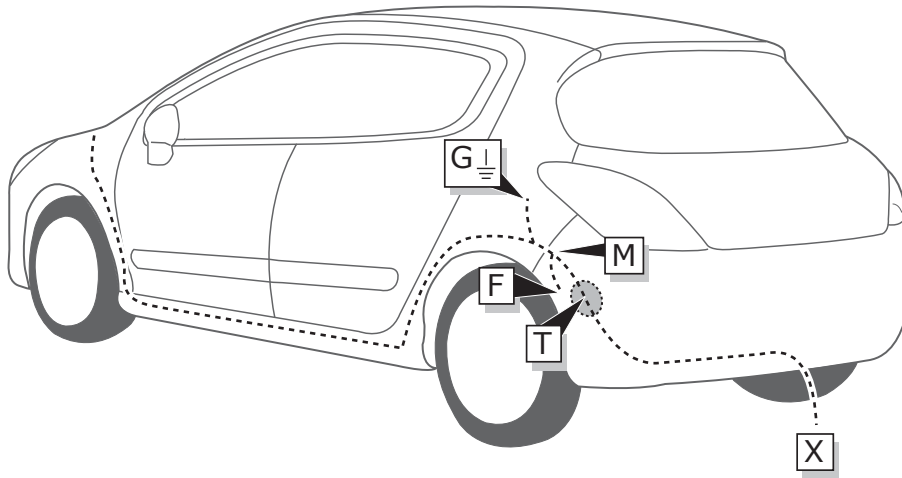
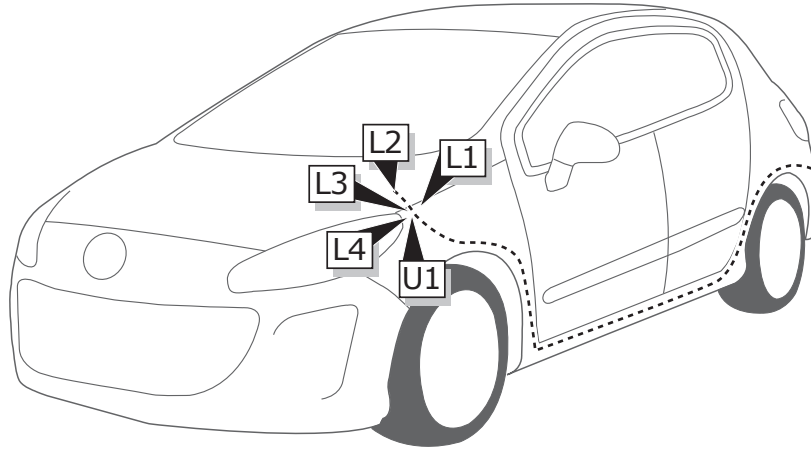


- Fitting instructions electric wiring kit tow bar with 13-P socket up to DIN/ISO Norm 11446.
- We would expressly point out that assembly not carried out properly by a competent installer will result in cancellation of any right to damage compensation, in particular those arising by virtue of the product liability act.
- Contents of these kits and their fitting manuals are subject to alteration without notice, please ensure that these instructions are read and fully understood before commencing installation.
- Do not overload circuits; the maximum loads per connection are detailed in this manual.
- Attention! Before Installation, please read this manual carefully and inform your customer to consult the vehicle owners manual to check for any vehicle modifications required before towing.
- In the event of functional problems, troubleshooting must be limited to about 0.5 hours, contact the technical support:
ukts@ecs-electronics.com / 07440 202 052.

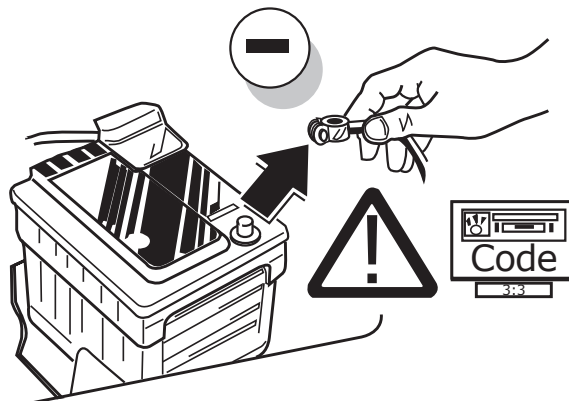


Part list



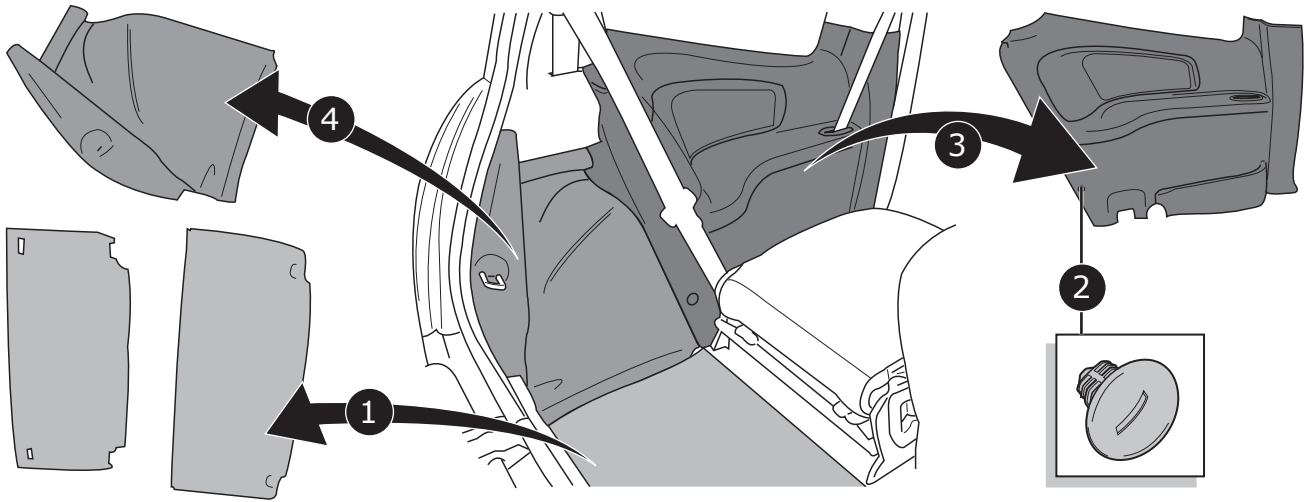


1

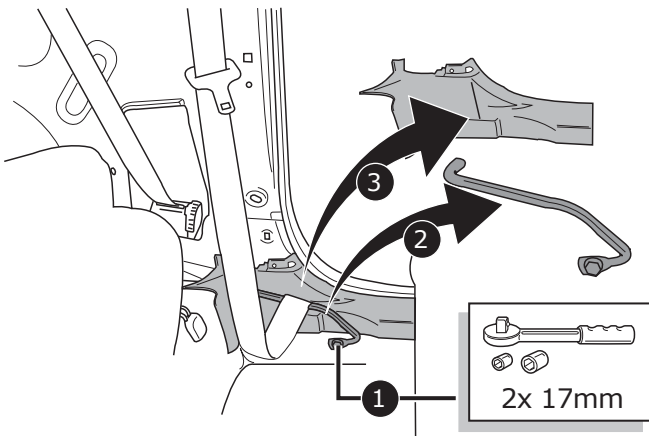


C2

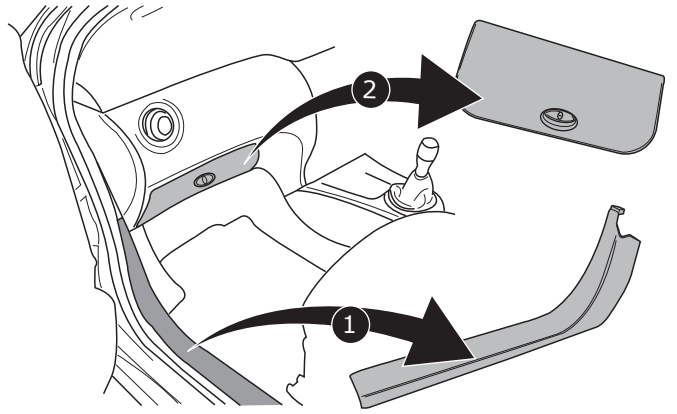
2



3

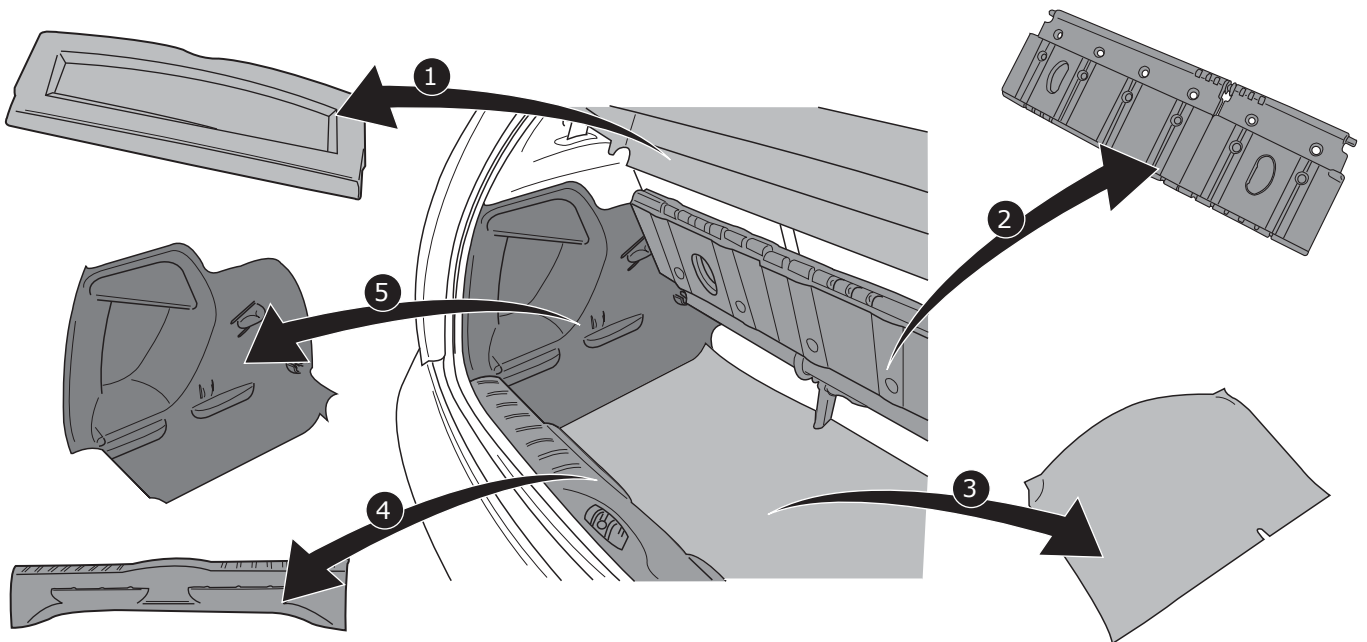


4

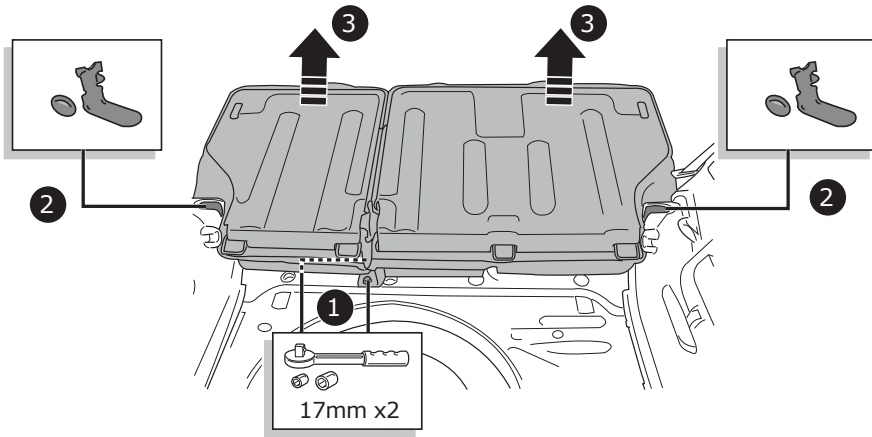


C3

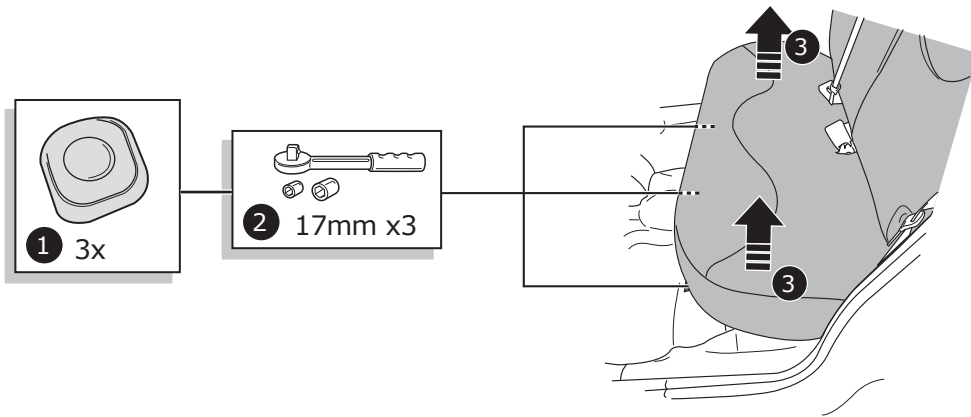
5



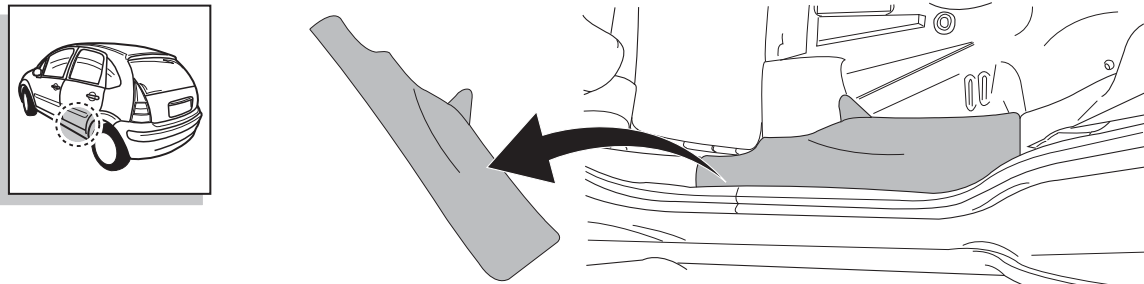
6



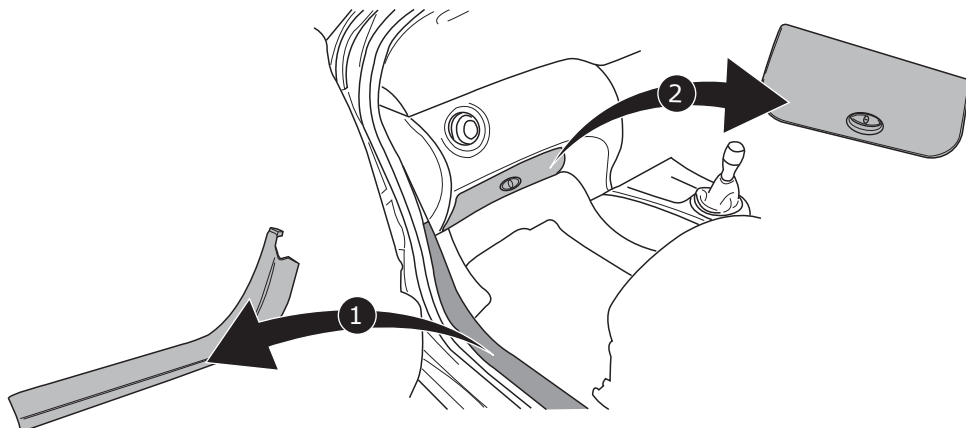
7



8

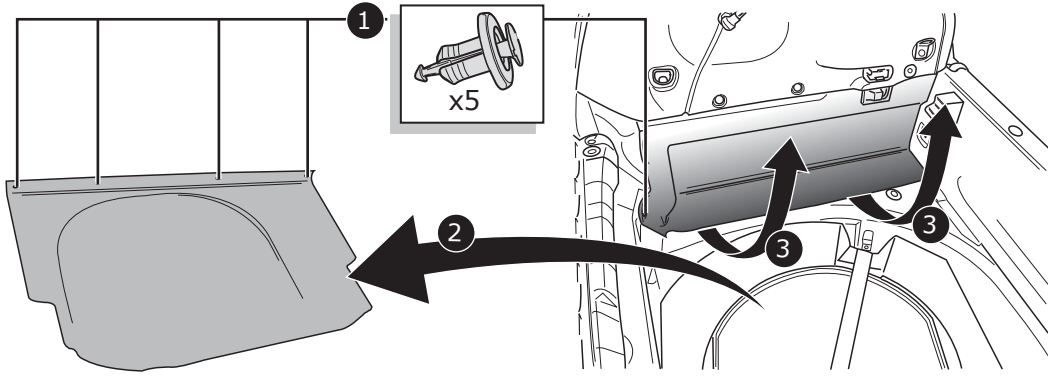


9

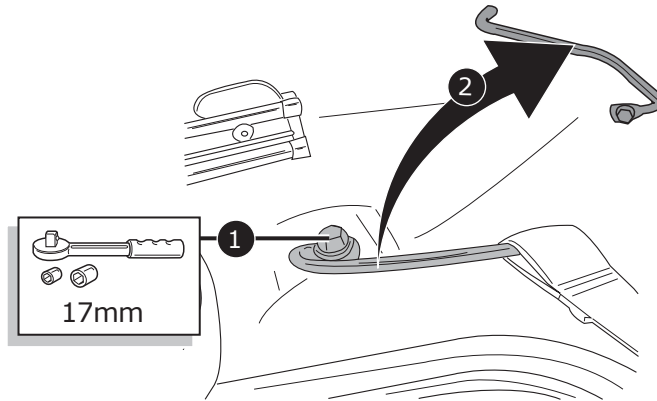
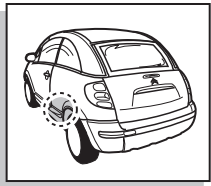


C3 Pluriel

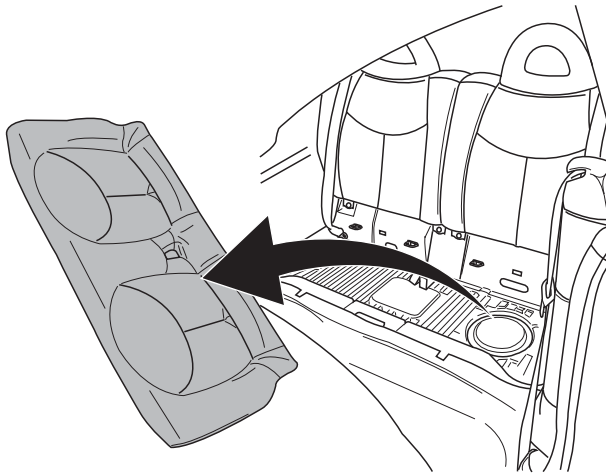
10



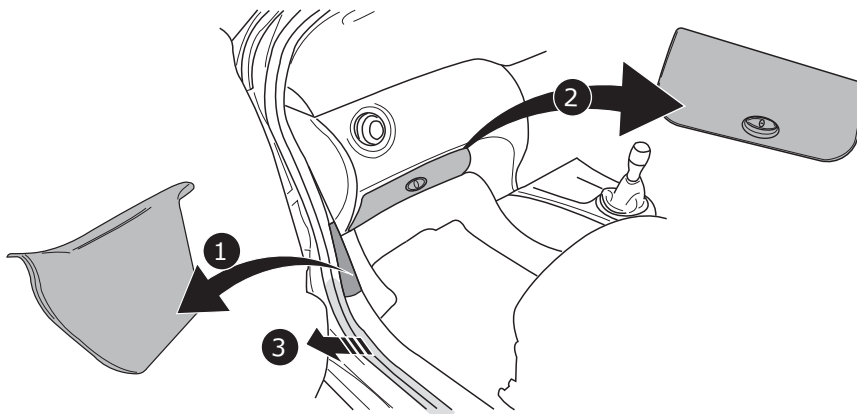
11



12

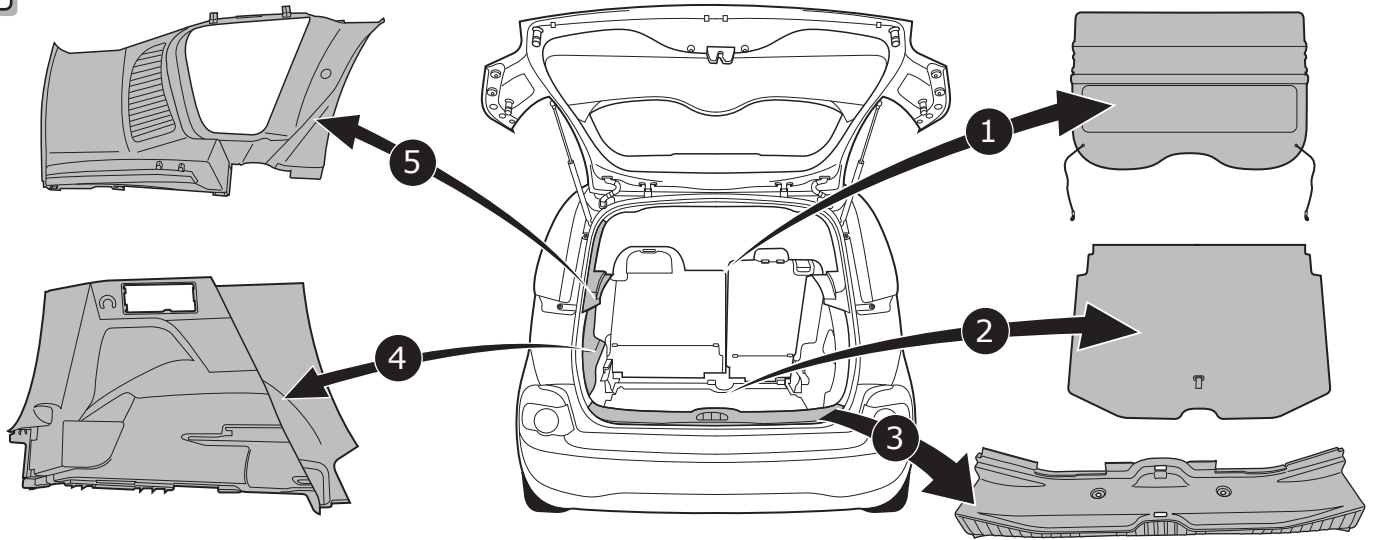


13



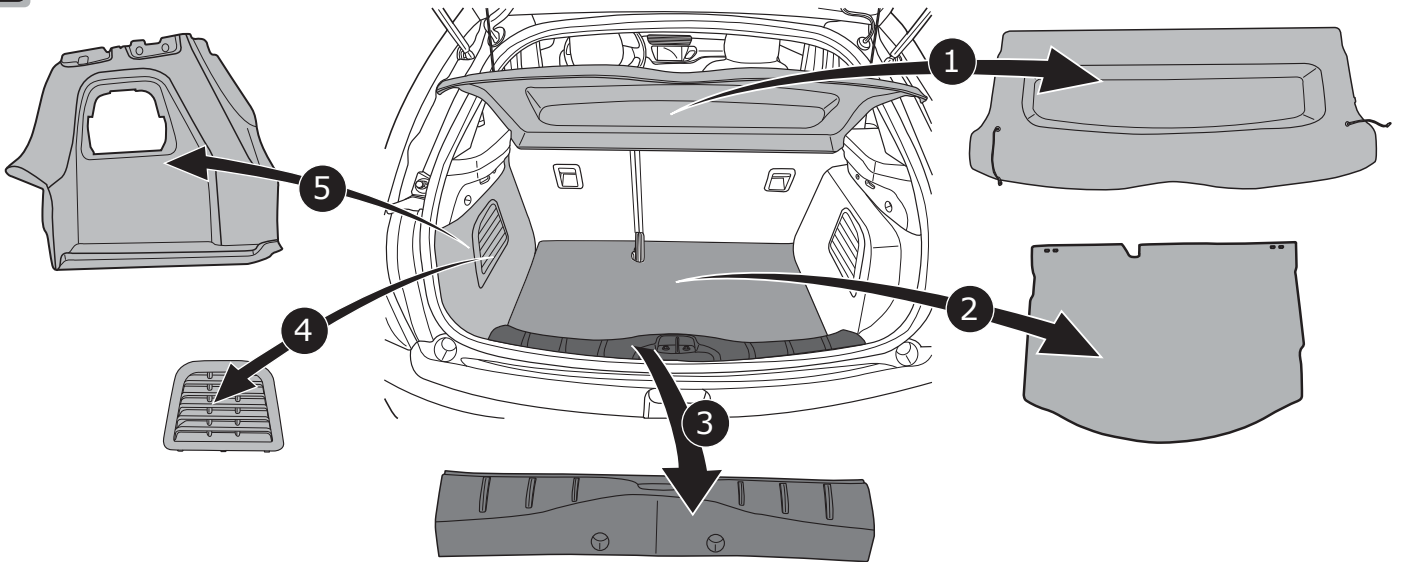
C3 Picasso

14



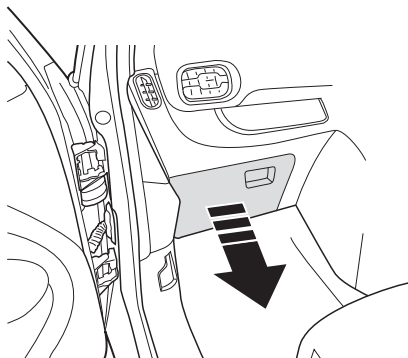
C3 III / DS3 / DS3 Cabriolet

15

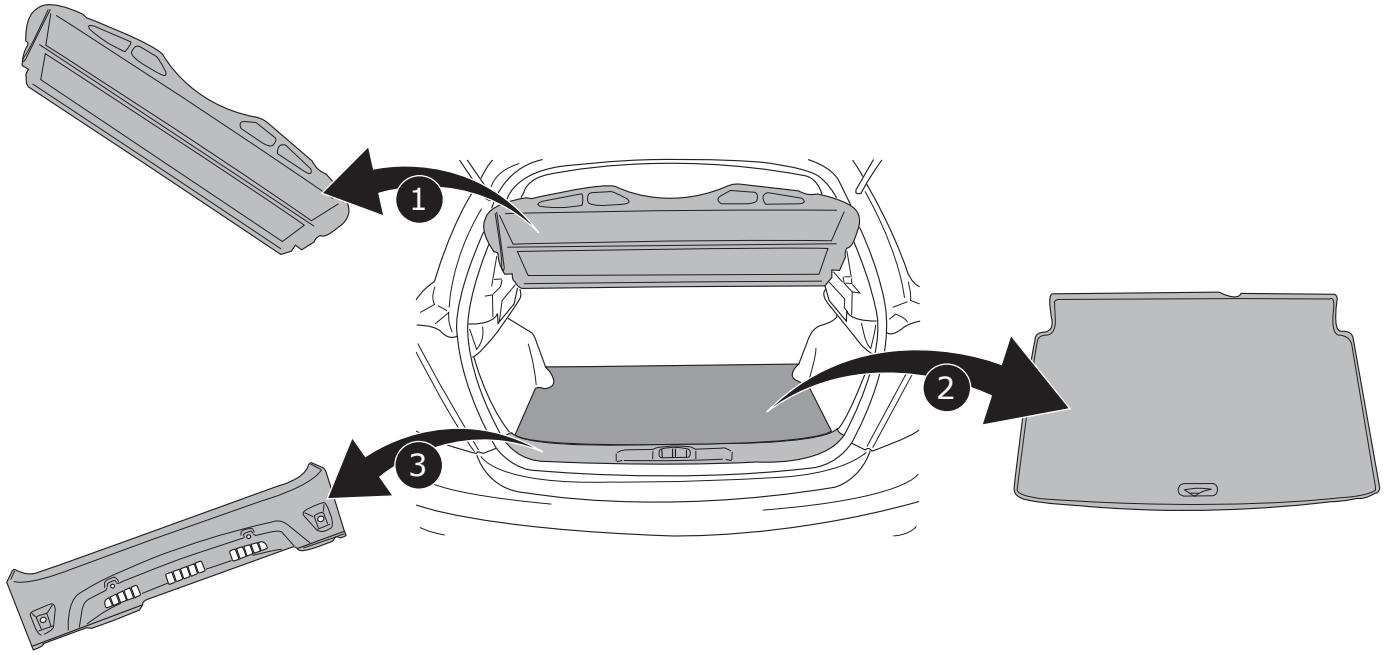


C3 Picasso / C3 III / DS3 / DS3 Cabriolet

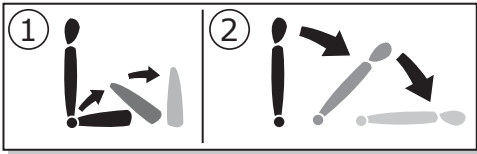
16



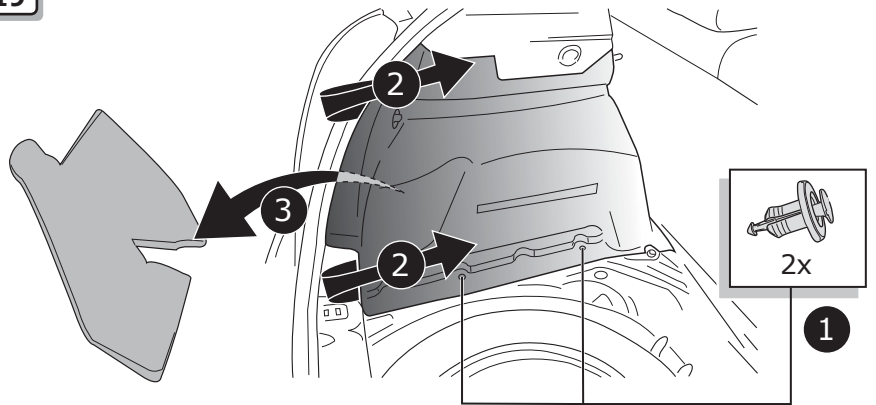
17



18

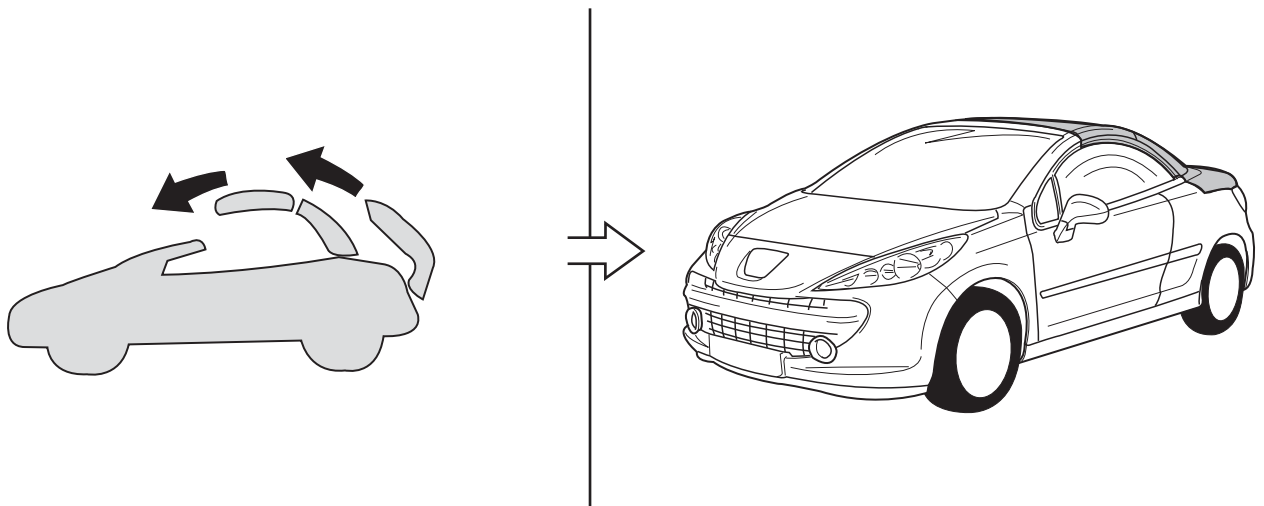


19

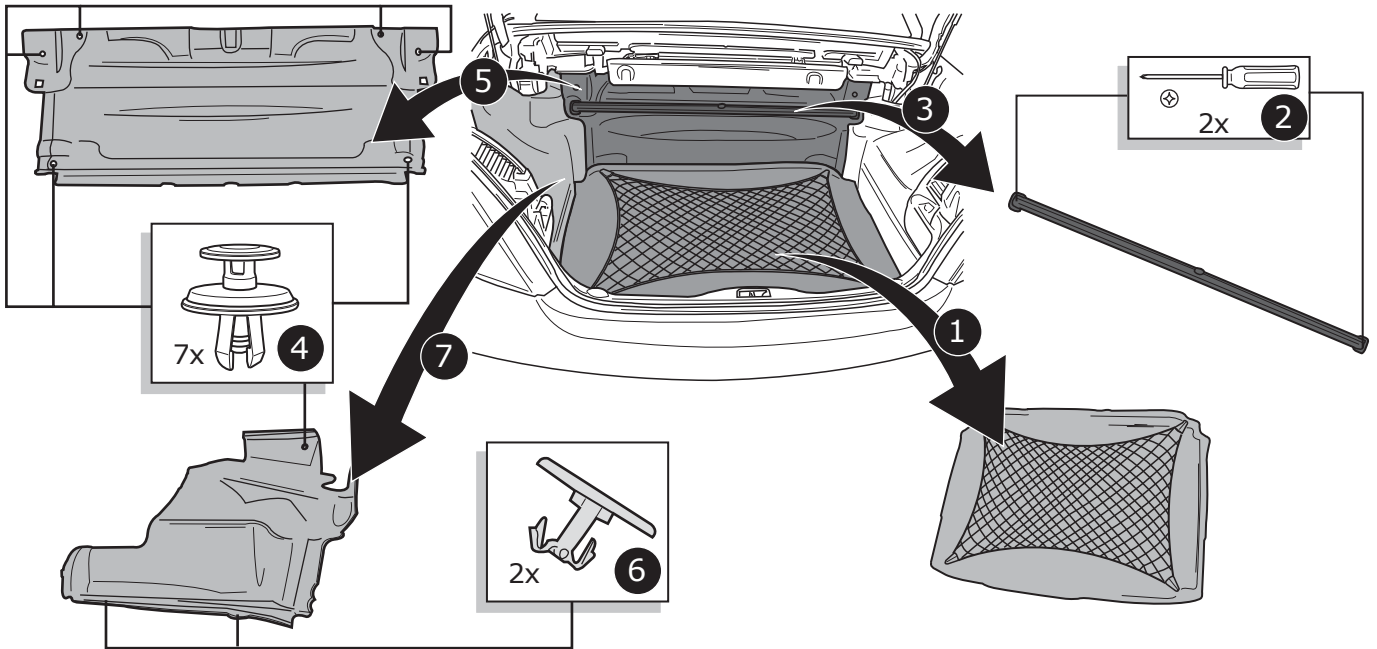


207 CC

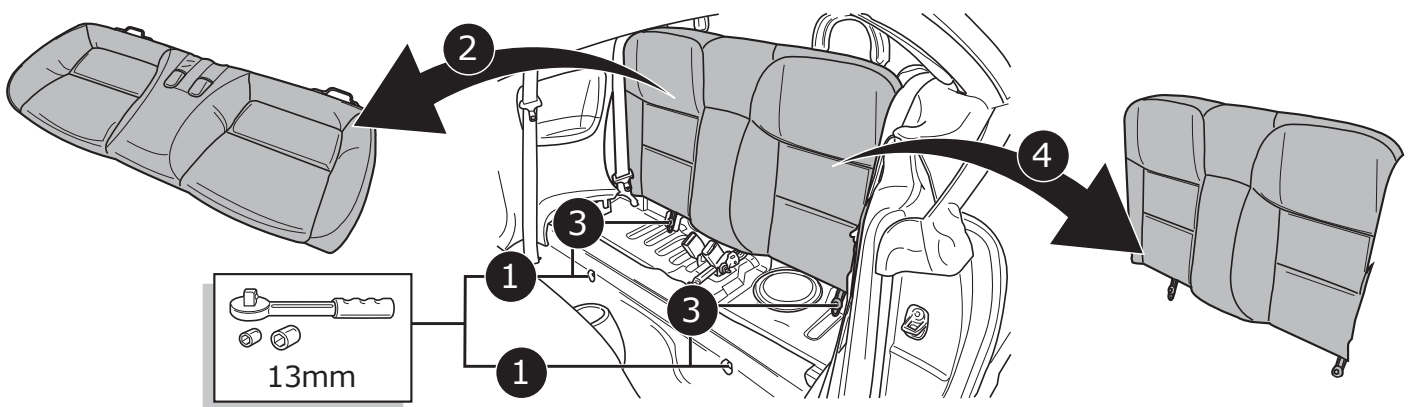
20



21

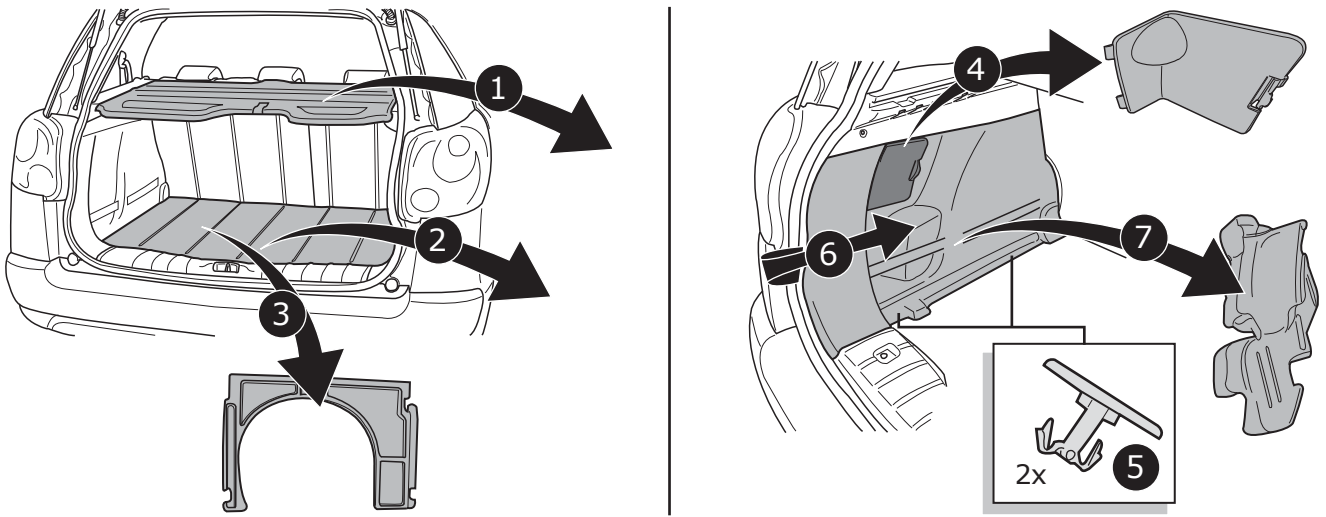


22



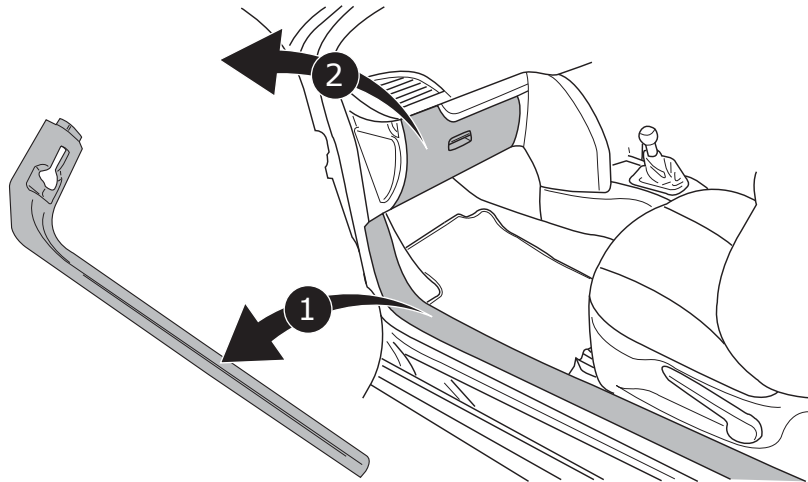
207 SW

23



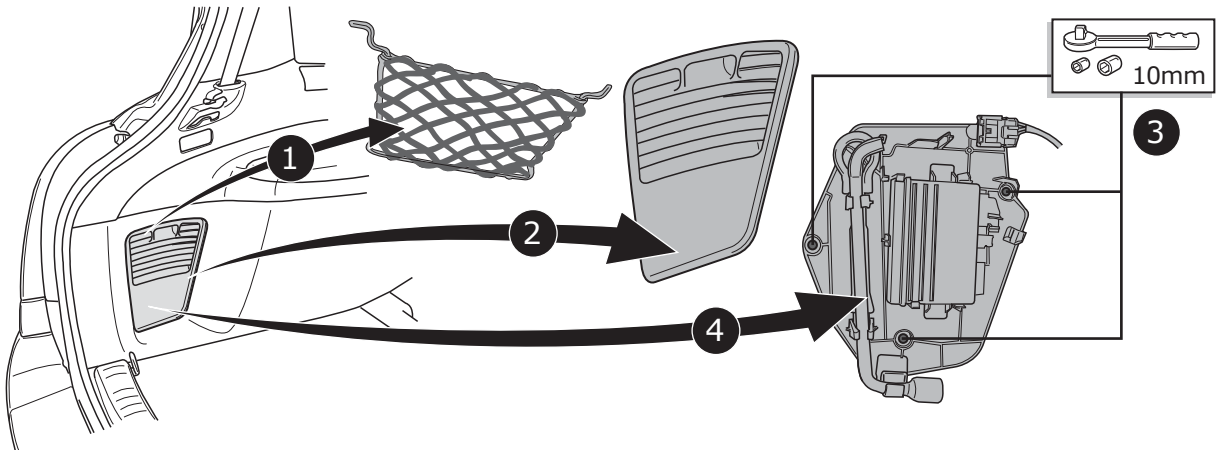
207 / 207 CC / 207 SW / 308 CC

24

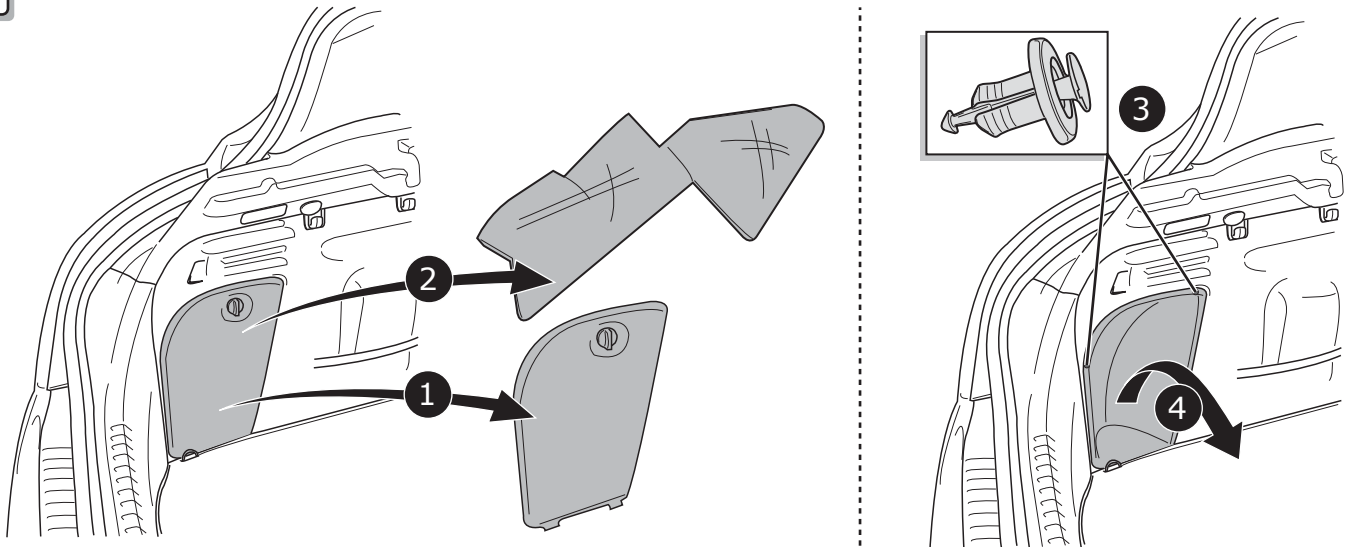


308 SW

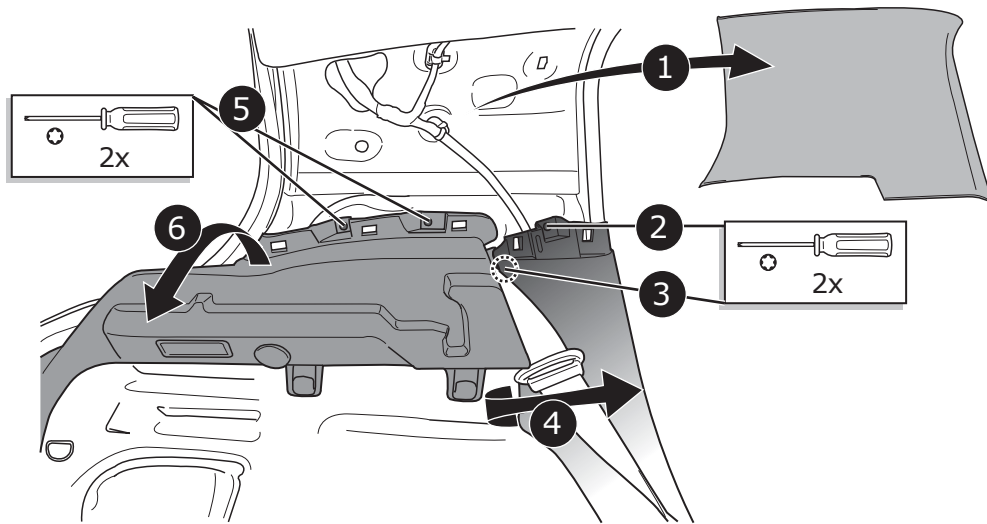
25



26

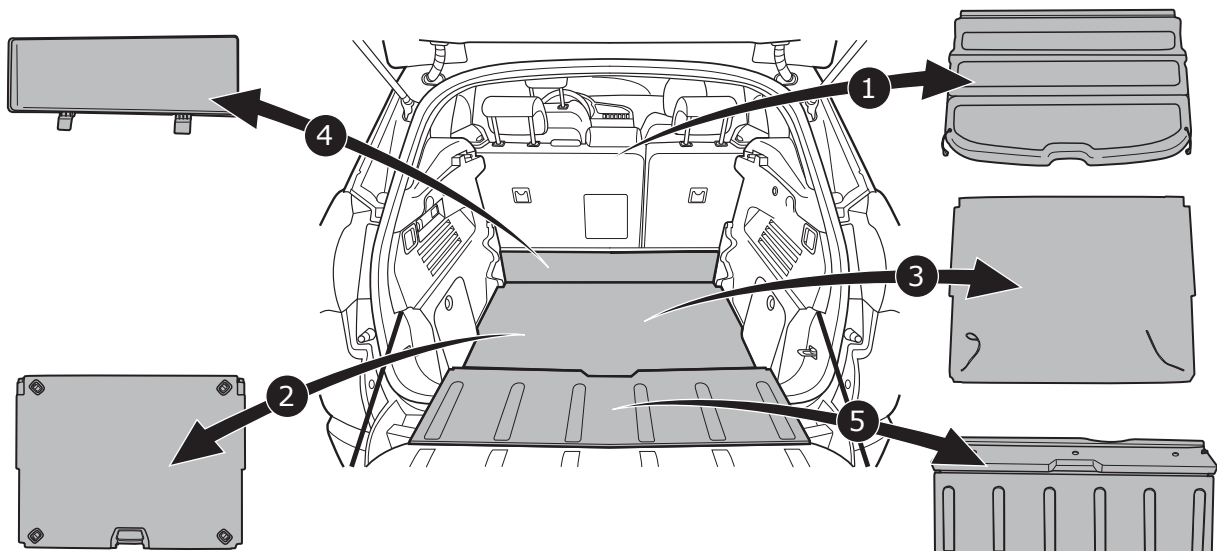


27

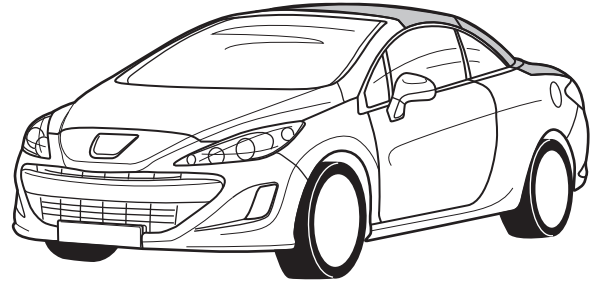
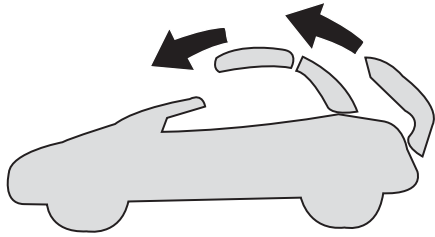


3008 / C4 Picasso

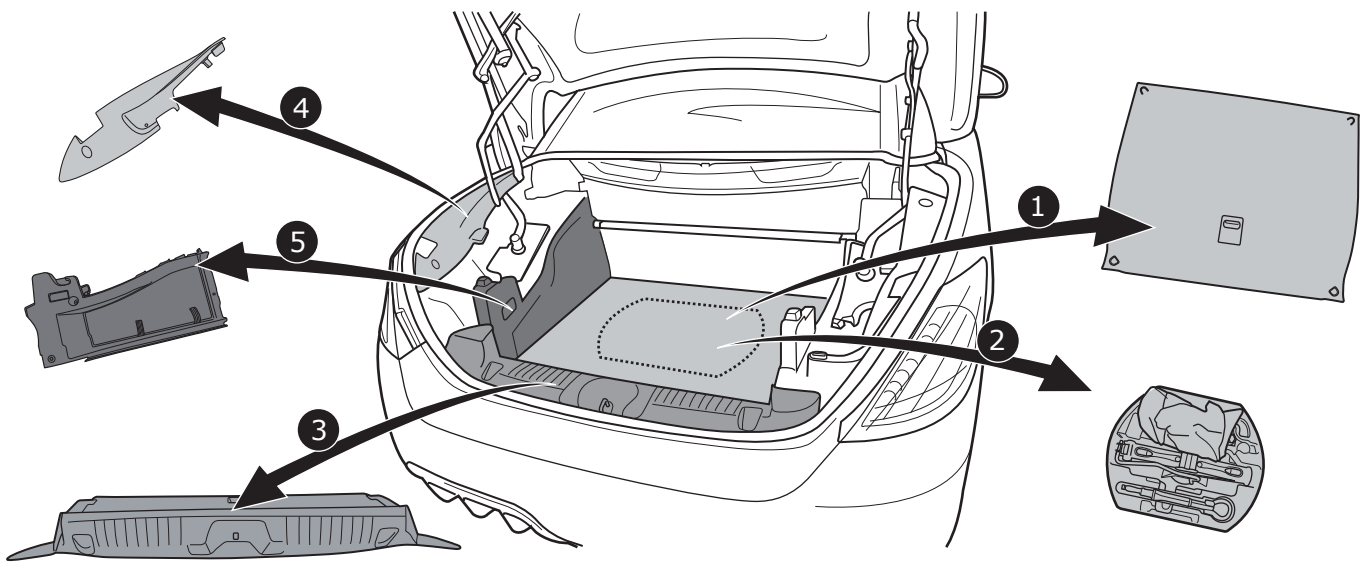
28



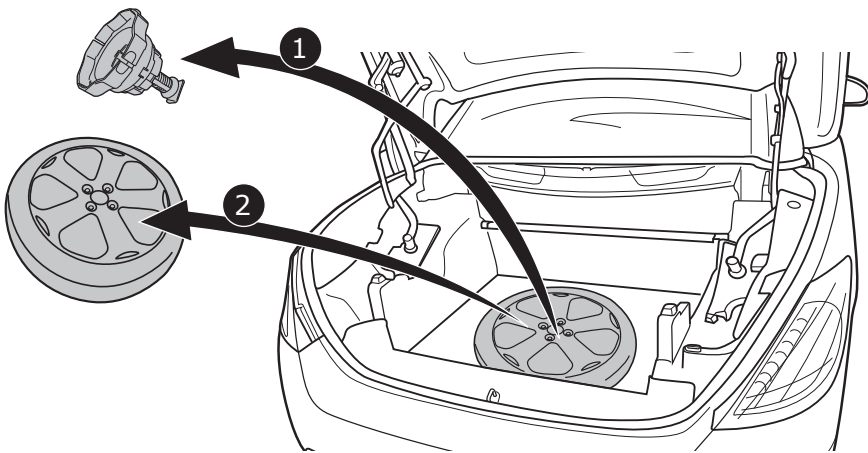
29



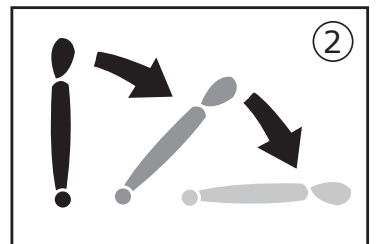
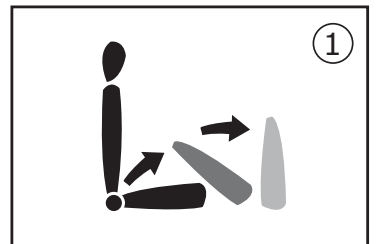
30



31

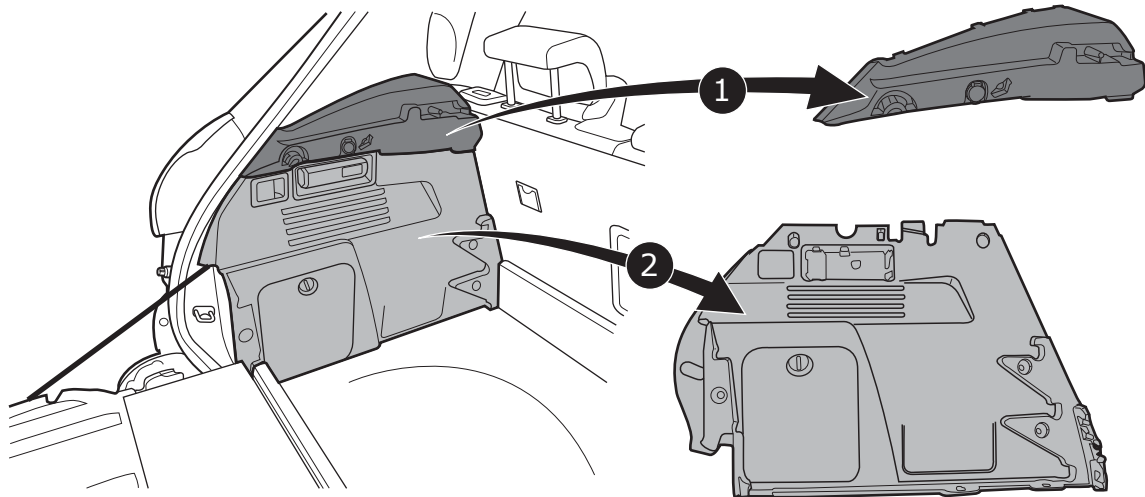


32



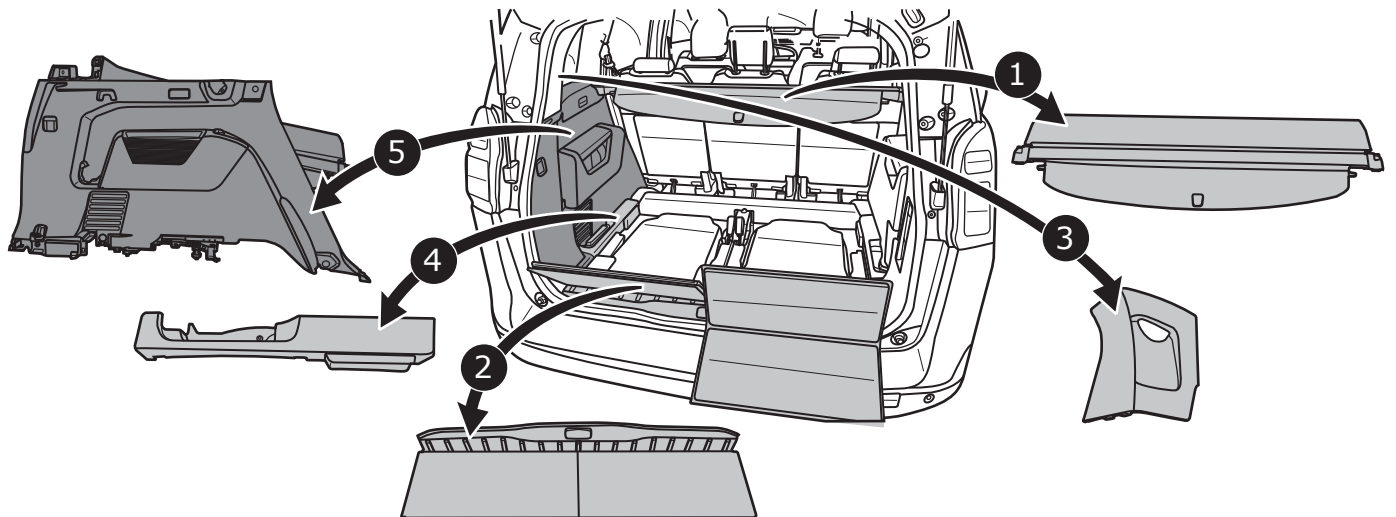
3008 / C4 Picasso

33



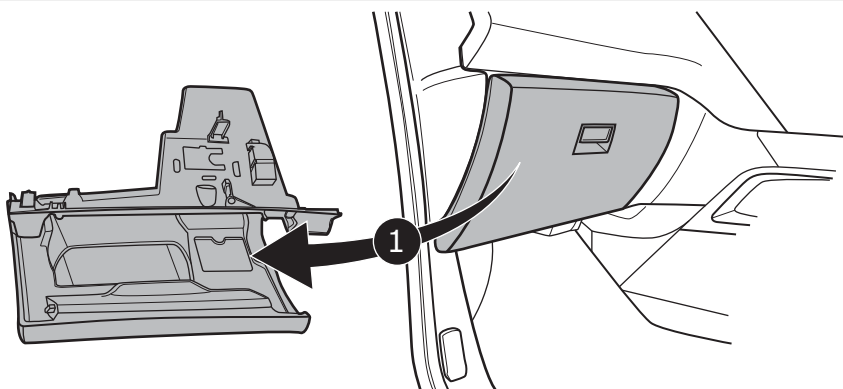
5008 / C4 Grand Picasso

34

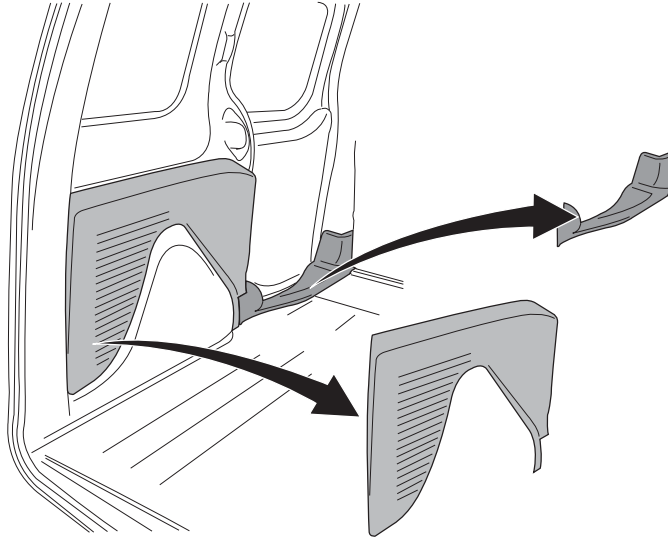


308 SW / 308 / 308 CC / 3008 / 5008 / C4 Picasso / C4 Grand Picasso

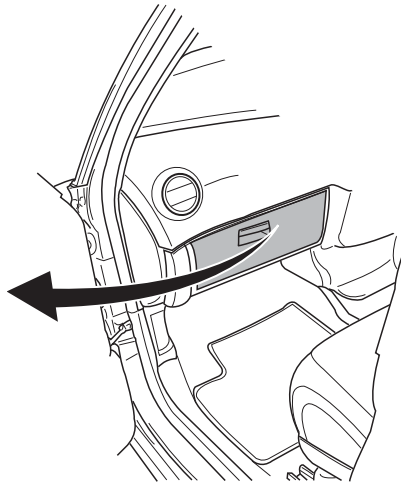
35



36

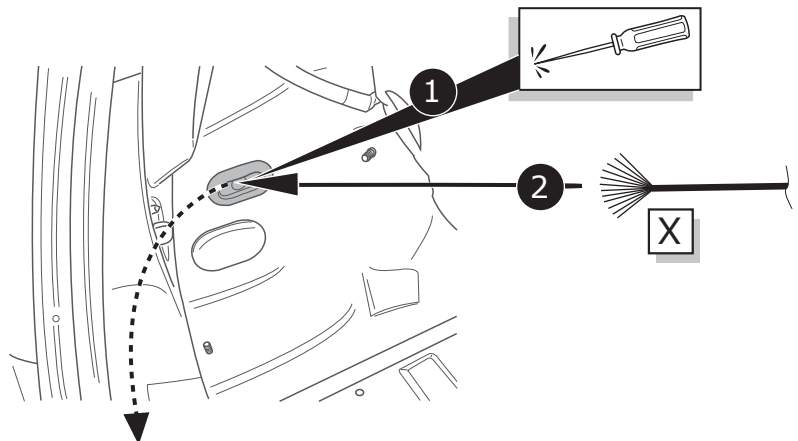
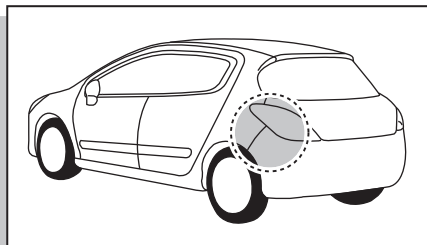


37



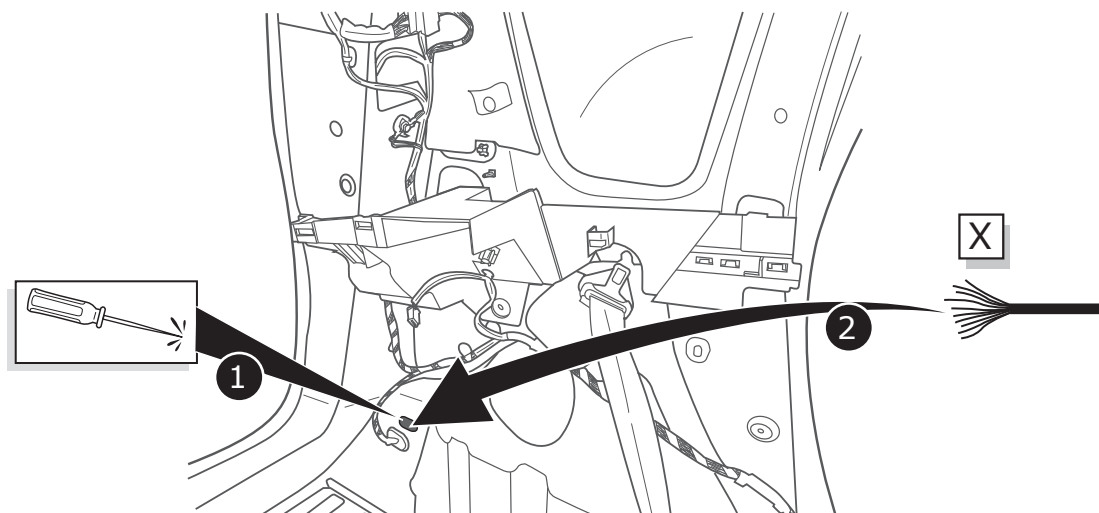
C2 / C3 / C3 Pluriël

38



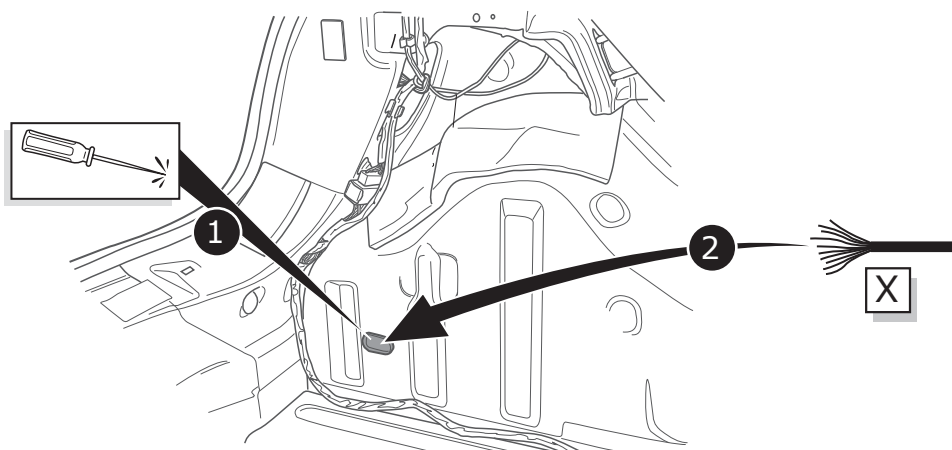
C3 Picasso

39



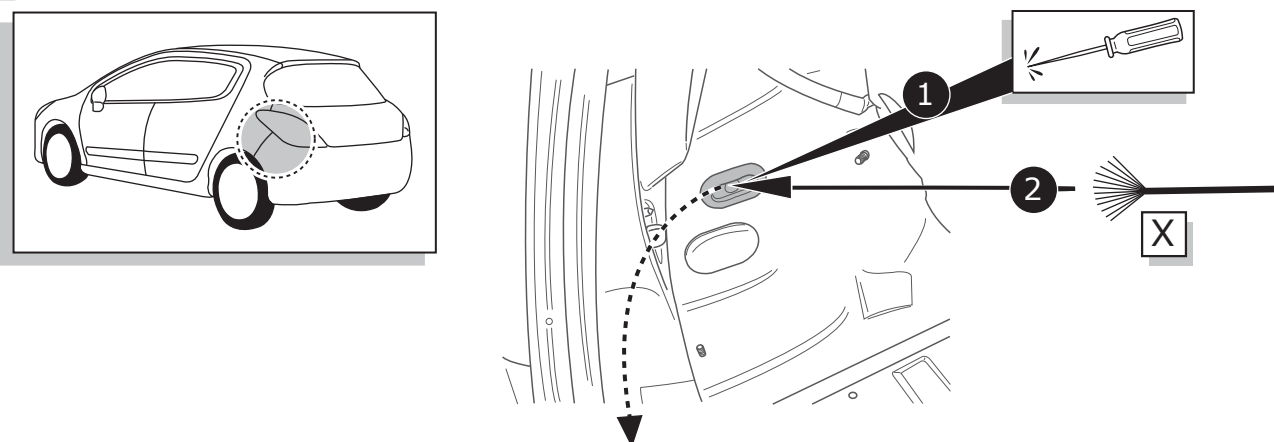
C3 III / DS3 / DS3 Cabriolet

40



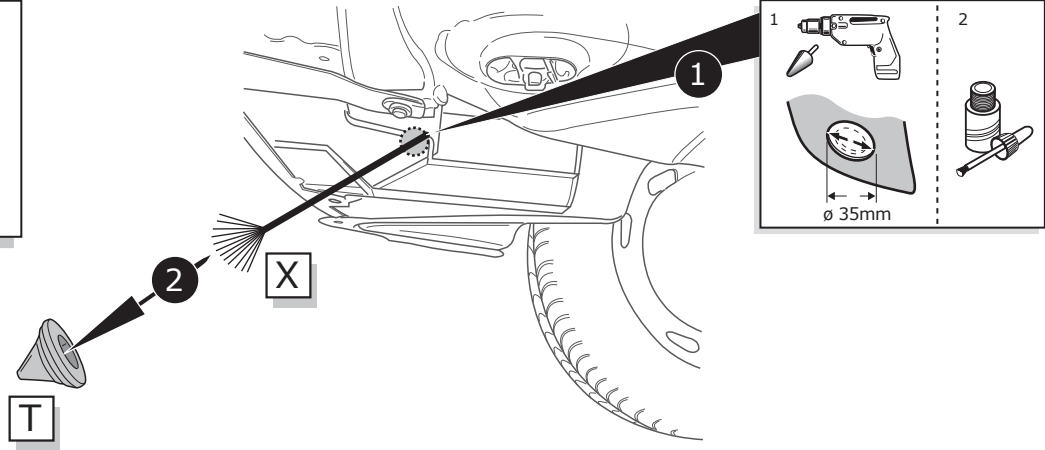
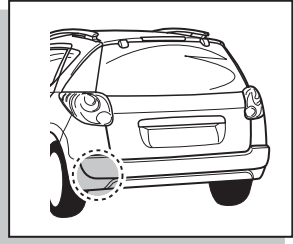
207 / 207 SW

41



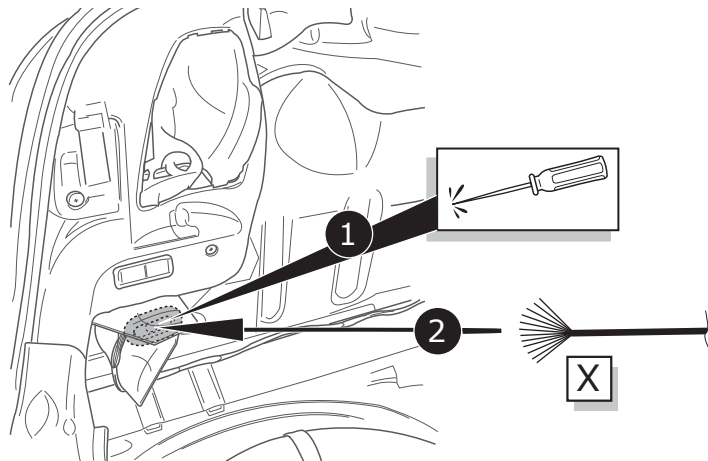
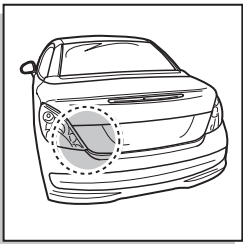
207 SW

42



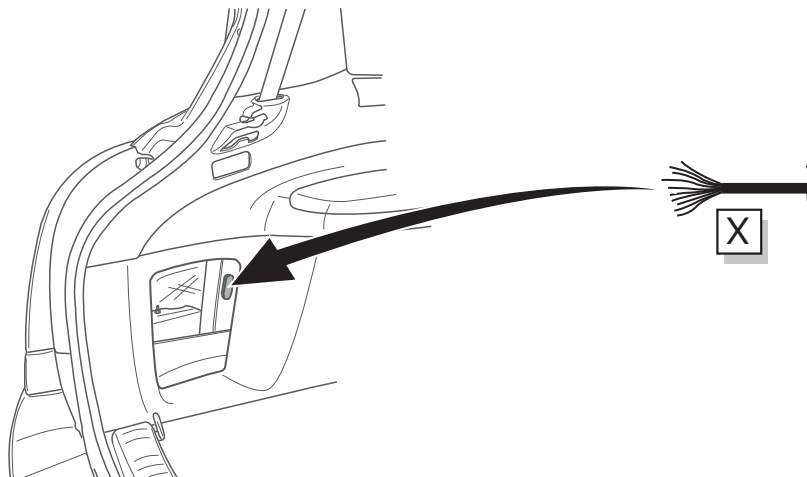
207 CC

43



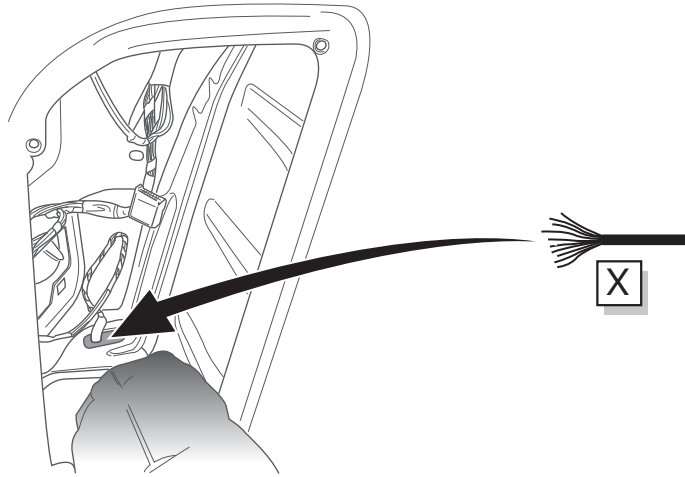
308 SW

44



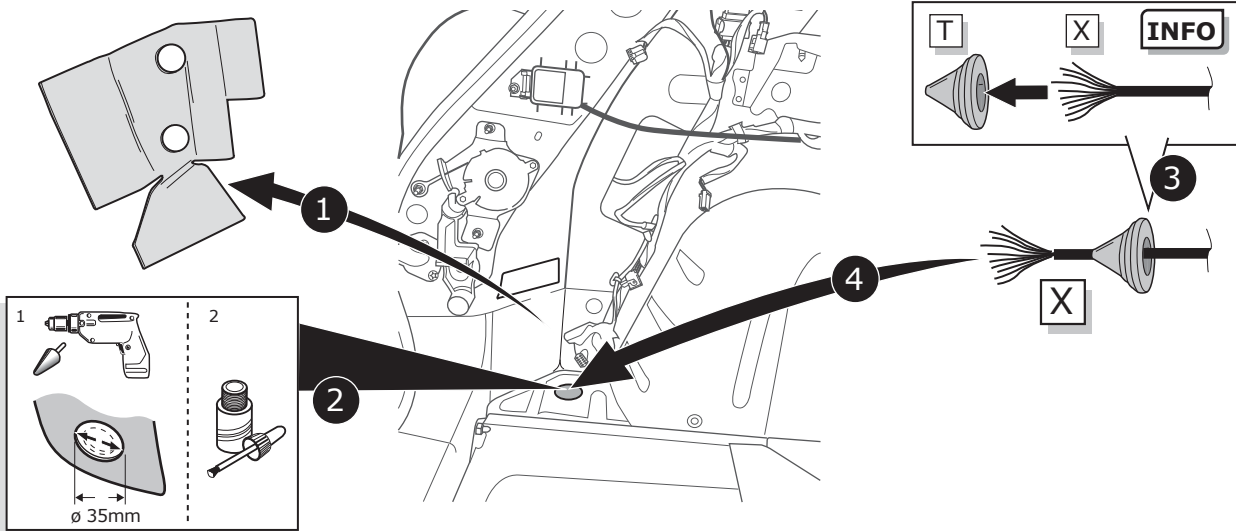
308 SW

45



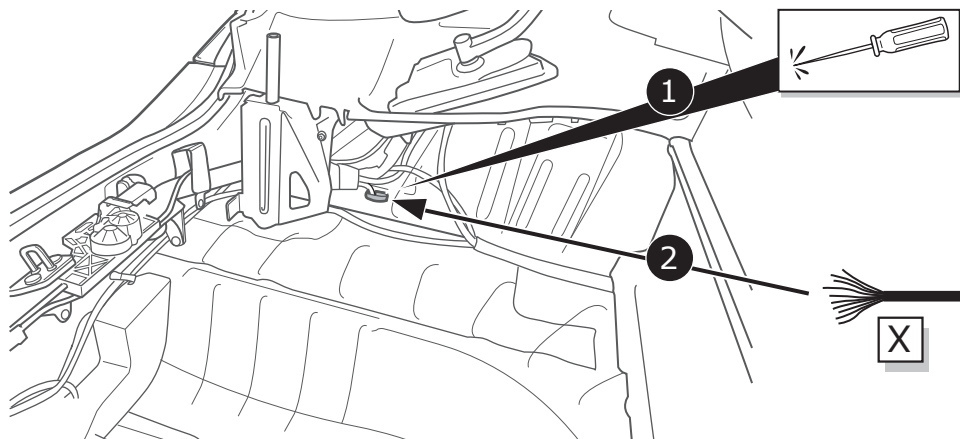
3008 / C4 Picasso

46

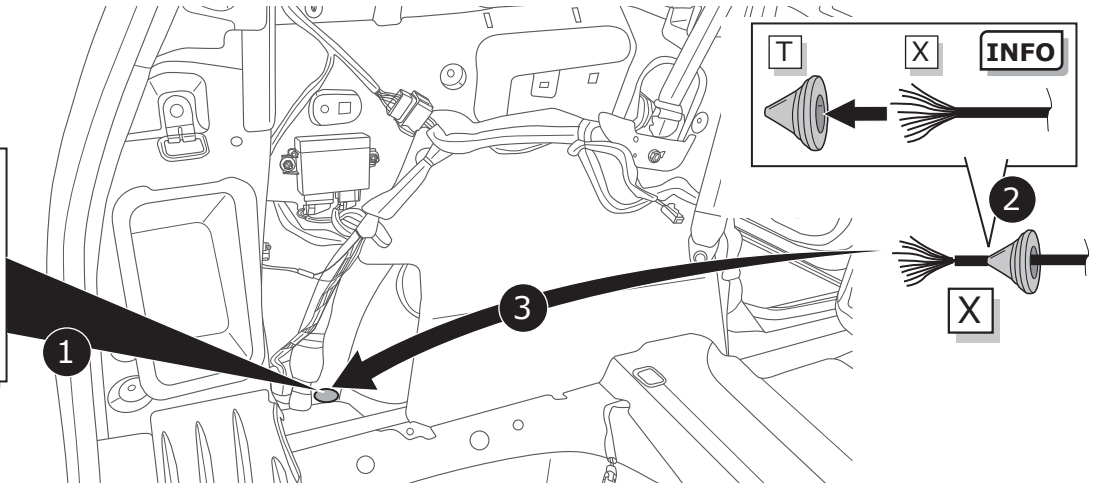
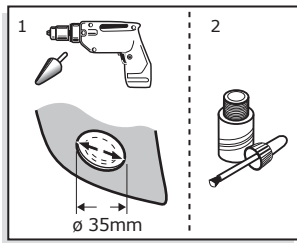


308 CC

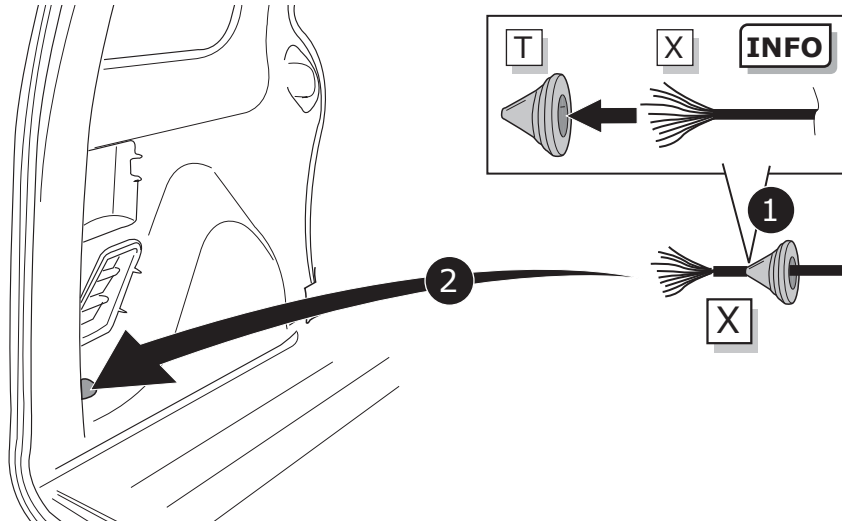
47



48



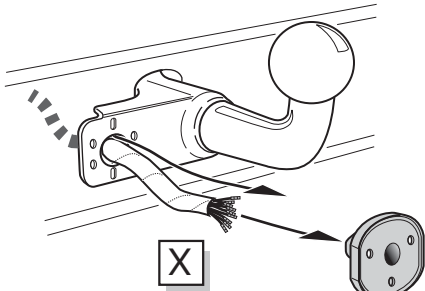
49



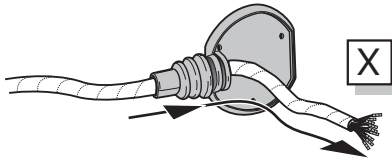
All Models

A

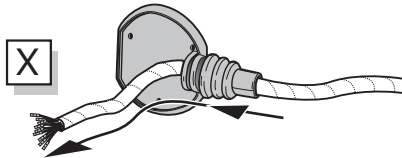
Option 1



Option 2



Option 3



INFO

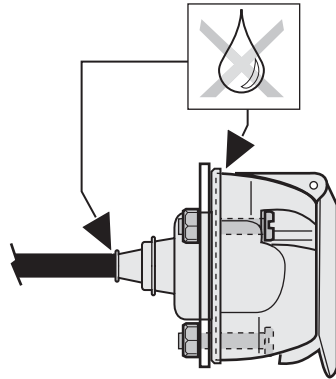
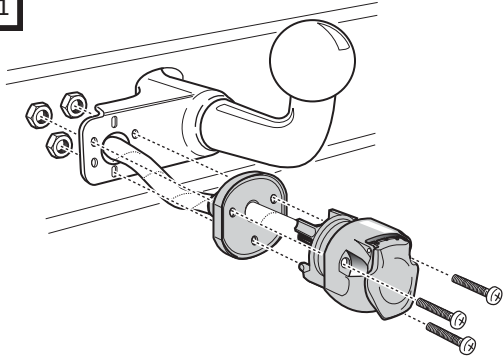
SOCKET CONNECTION



Pag. 38

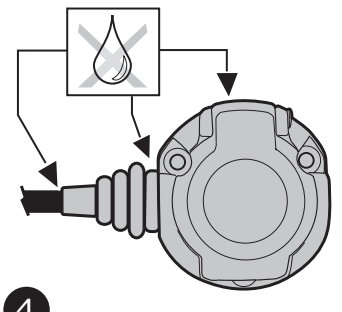
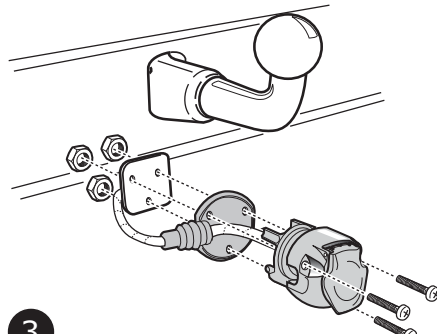
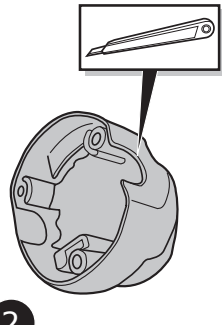
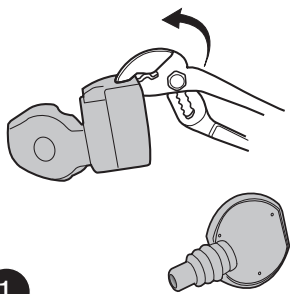
B

Option 1



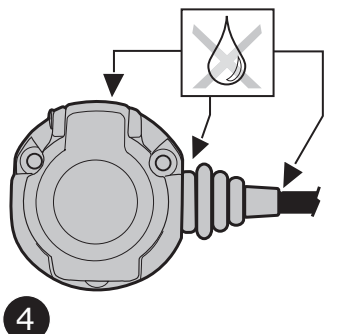
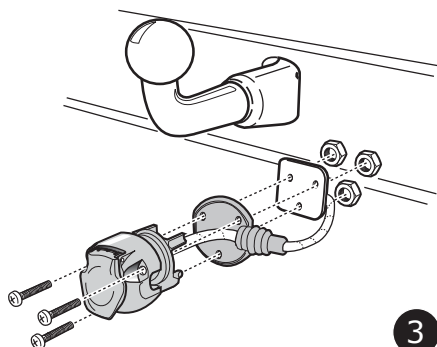
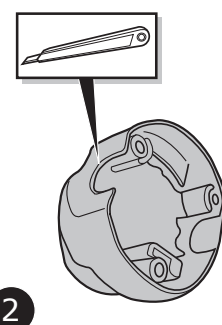
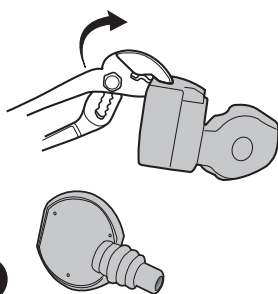
C

Option 2



D

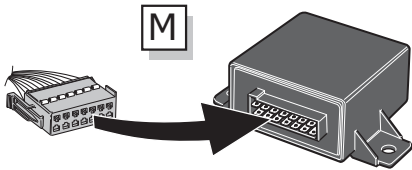
Option 3



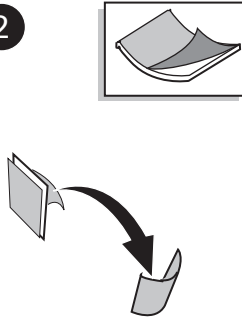
All Models

50

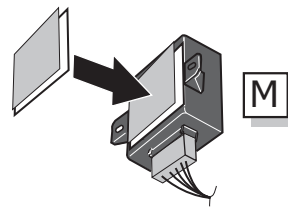
1



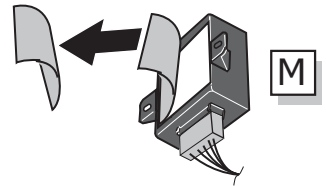
2



3

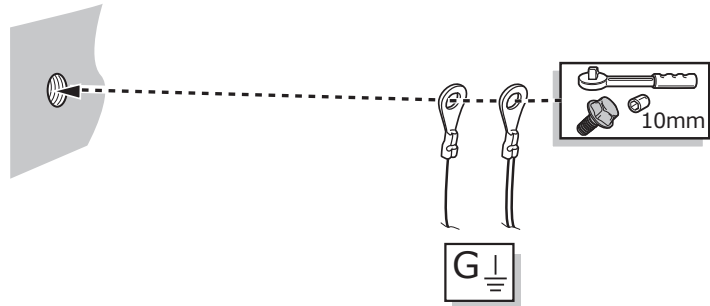
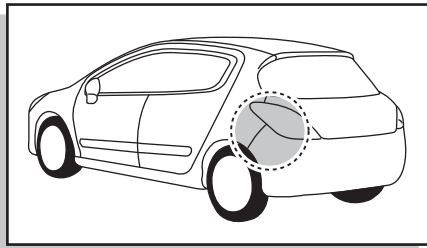


4



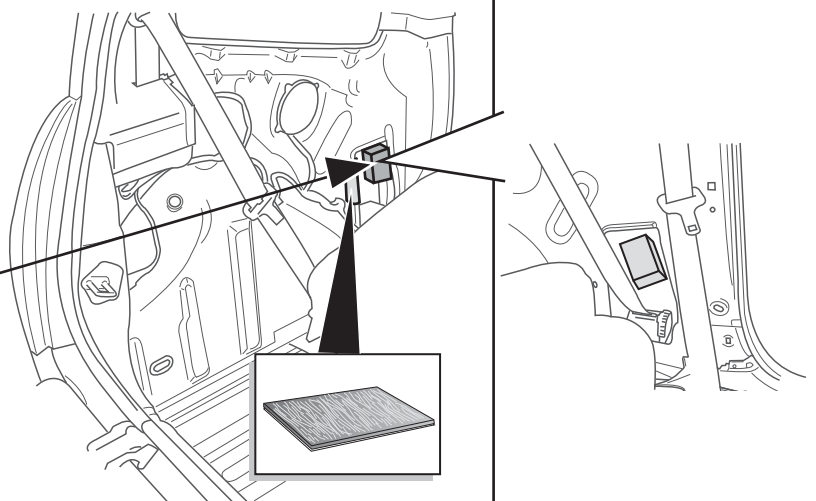
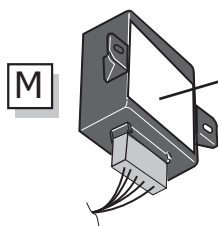
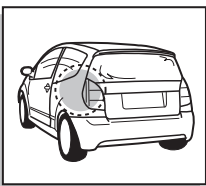
C2 / C3 / C3 Pluriël

51



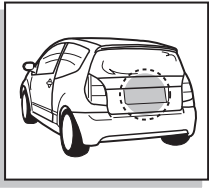
C2

52

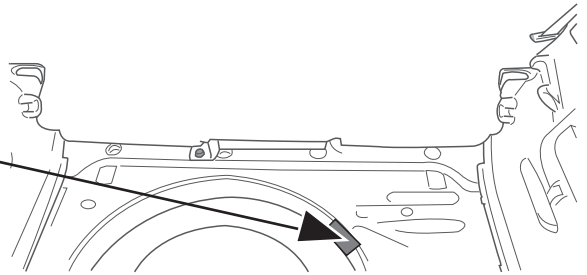
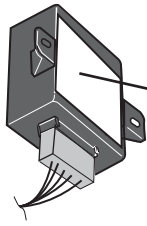


C3

53

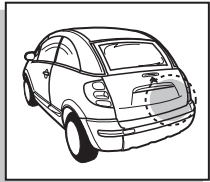


M

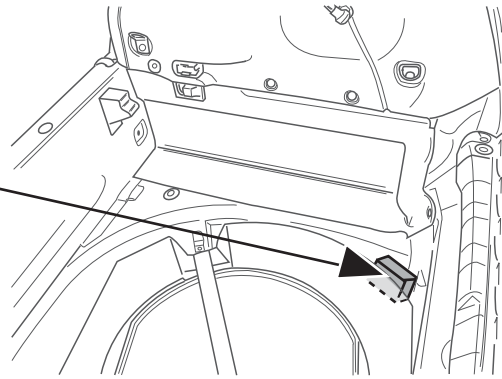
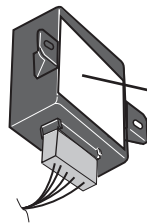


C3 Pluriël

54

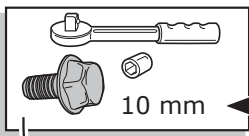


M



C3 Picasso

55

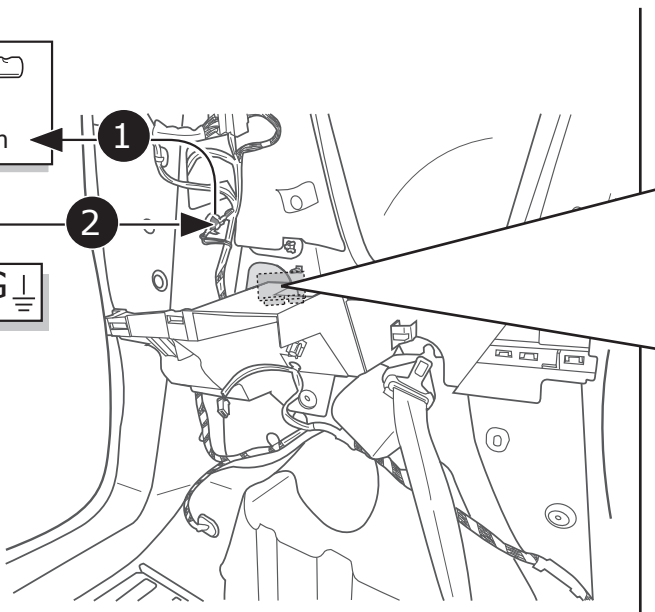


10 mm

1

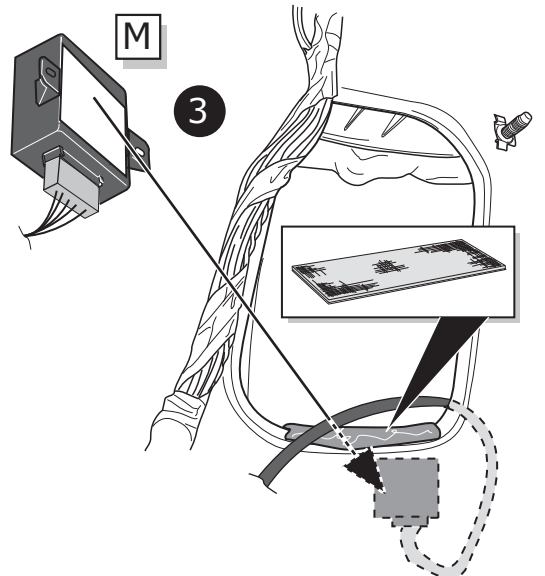
2

G



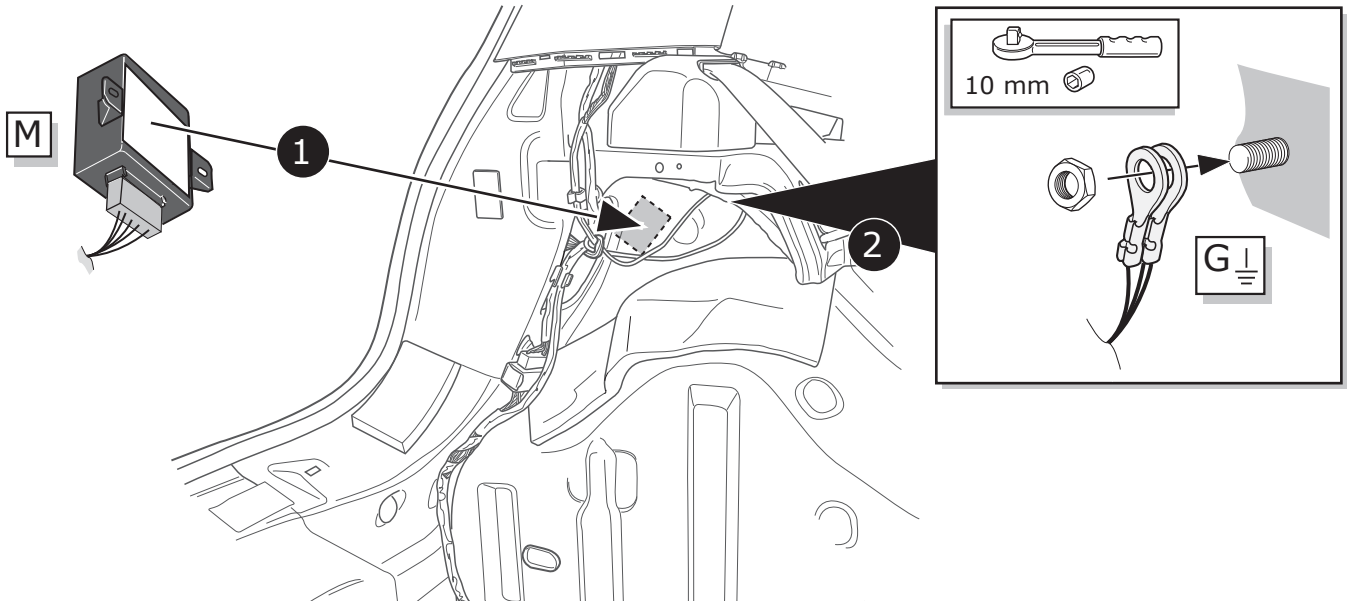
M

3



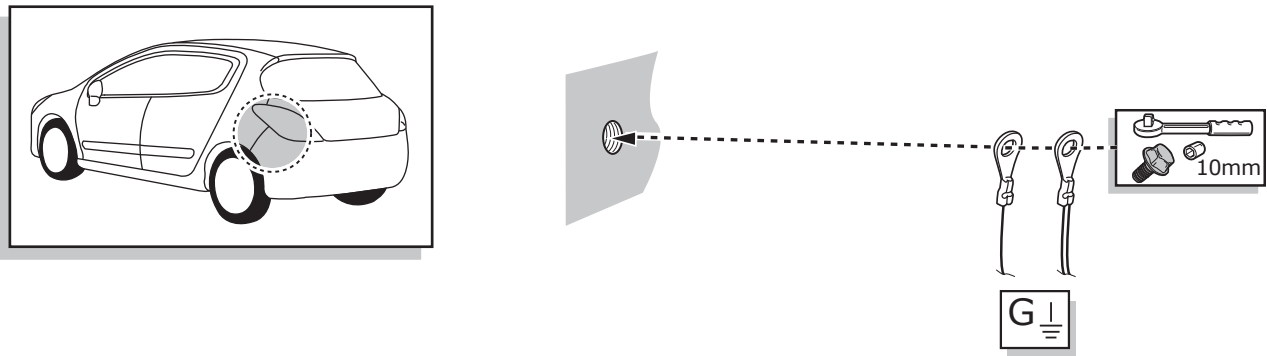
C3 III / DS3 / DS3 Cabriolet

56



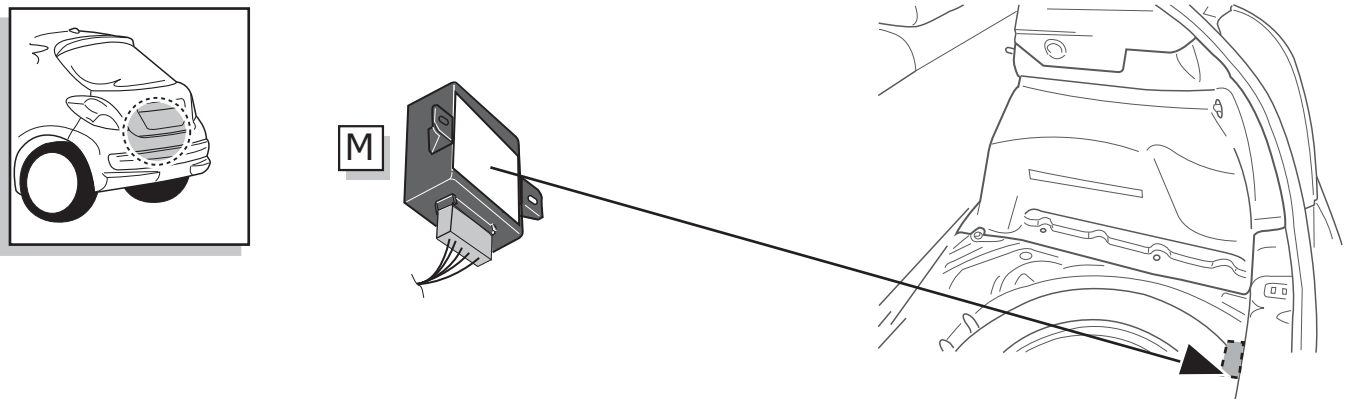
207 / 207 CC / 207 SW

57



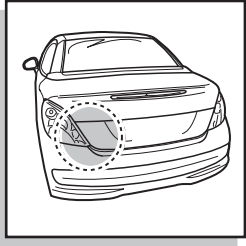
207 / 207 SW

58

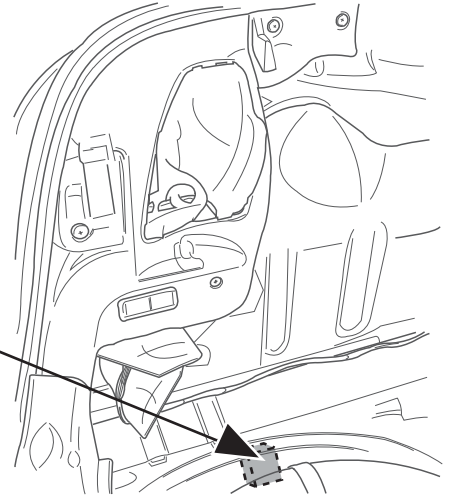
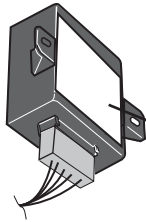


207 CC

59

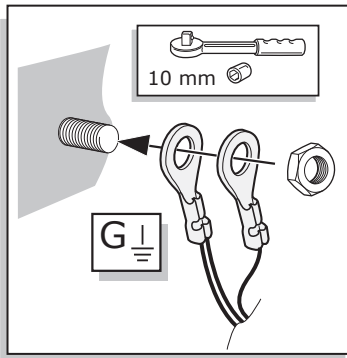


M

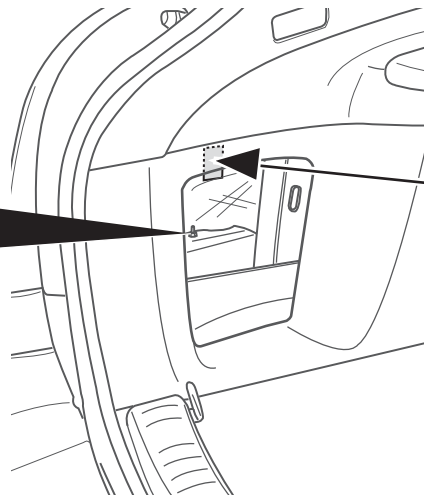


308 SW

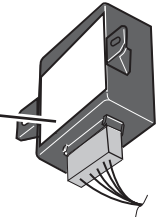
60



1



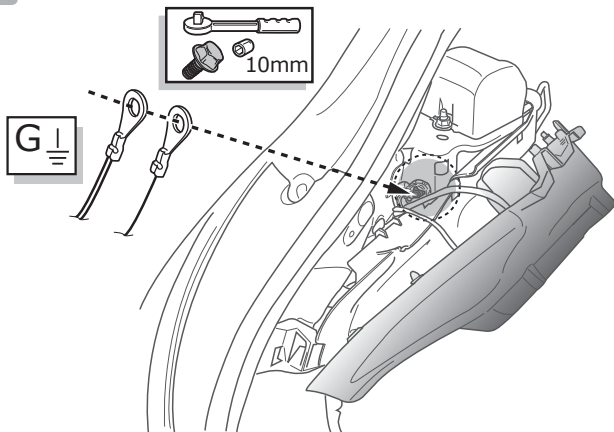
2



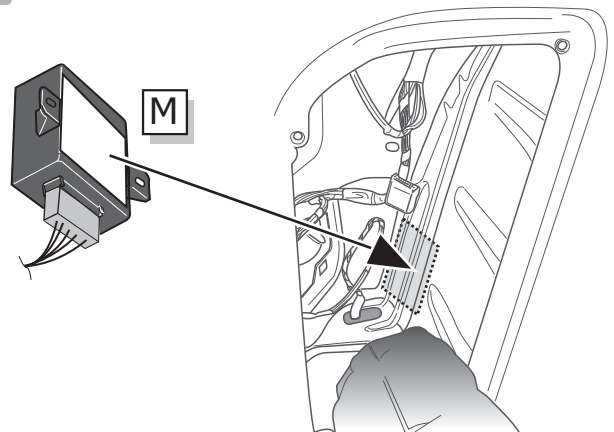
M

308

61



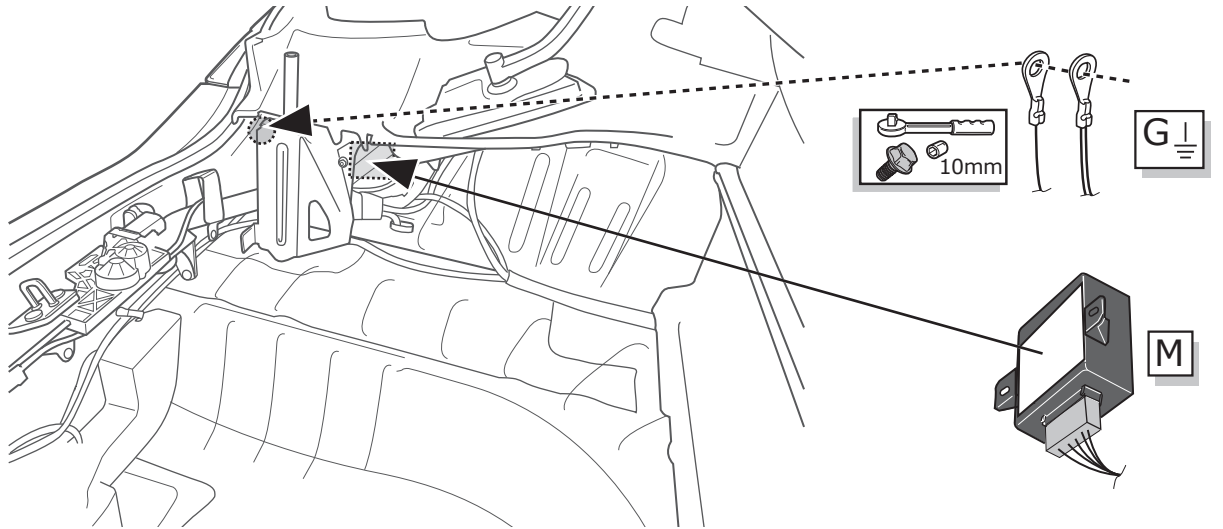
62



M

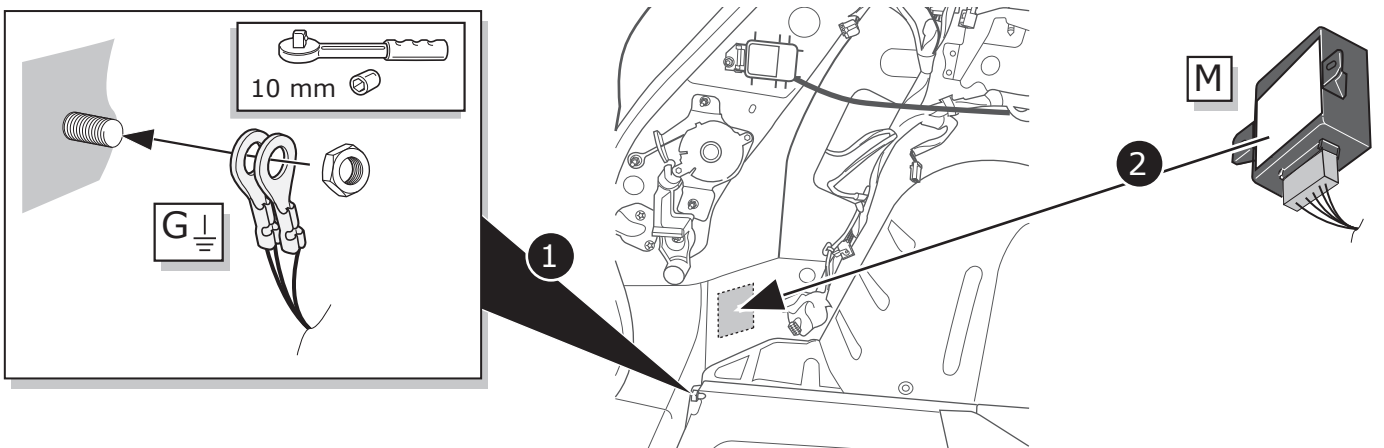
308 CC

63



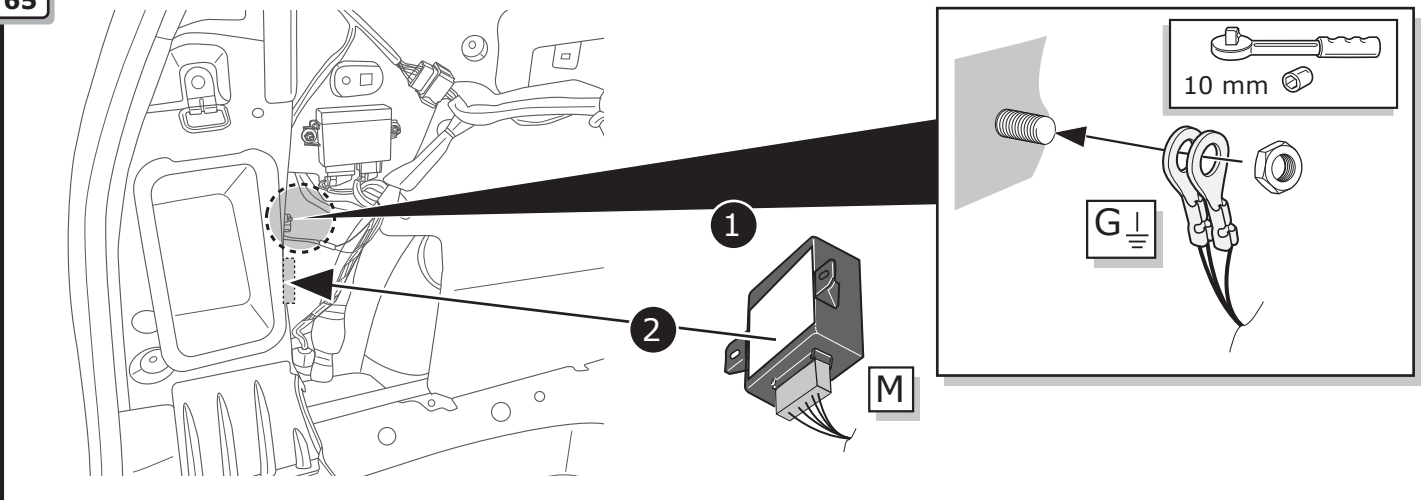
3008

64

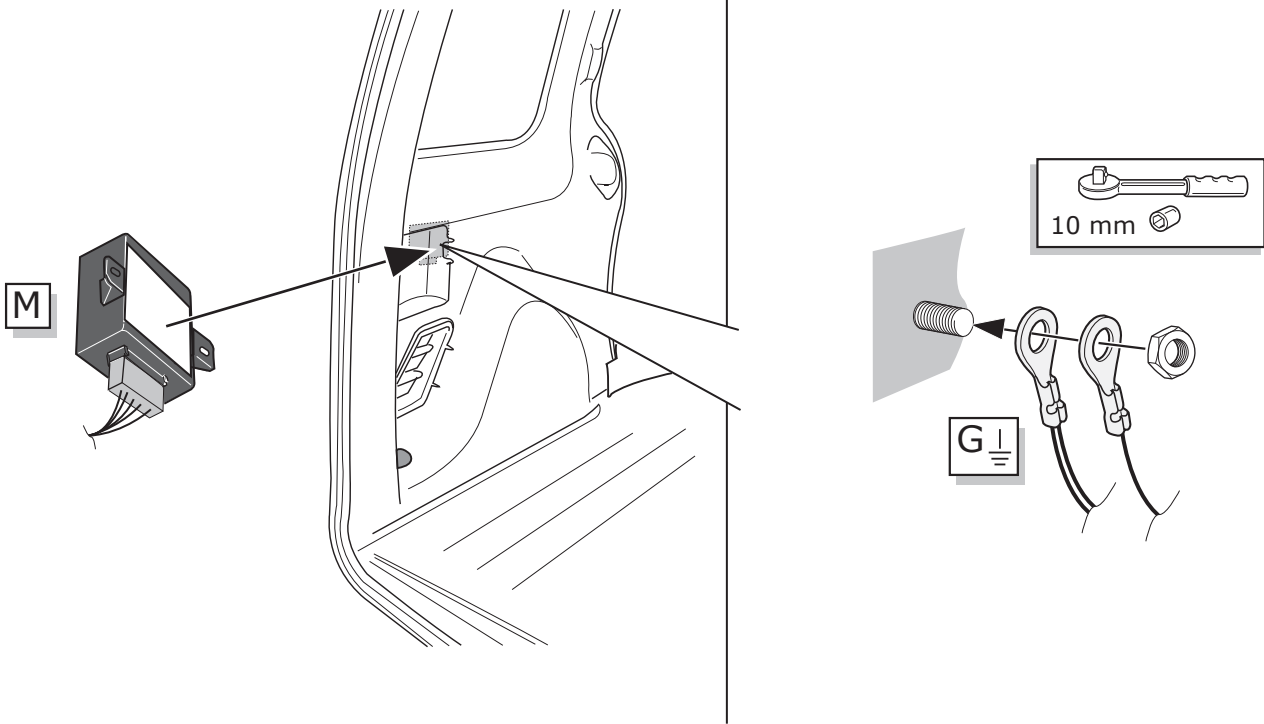


5008 / C4 Picasso / C4 Grand Picasso

65

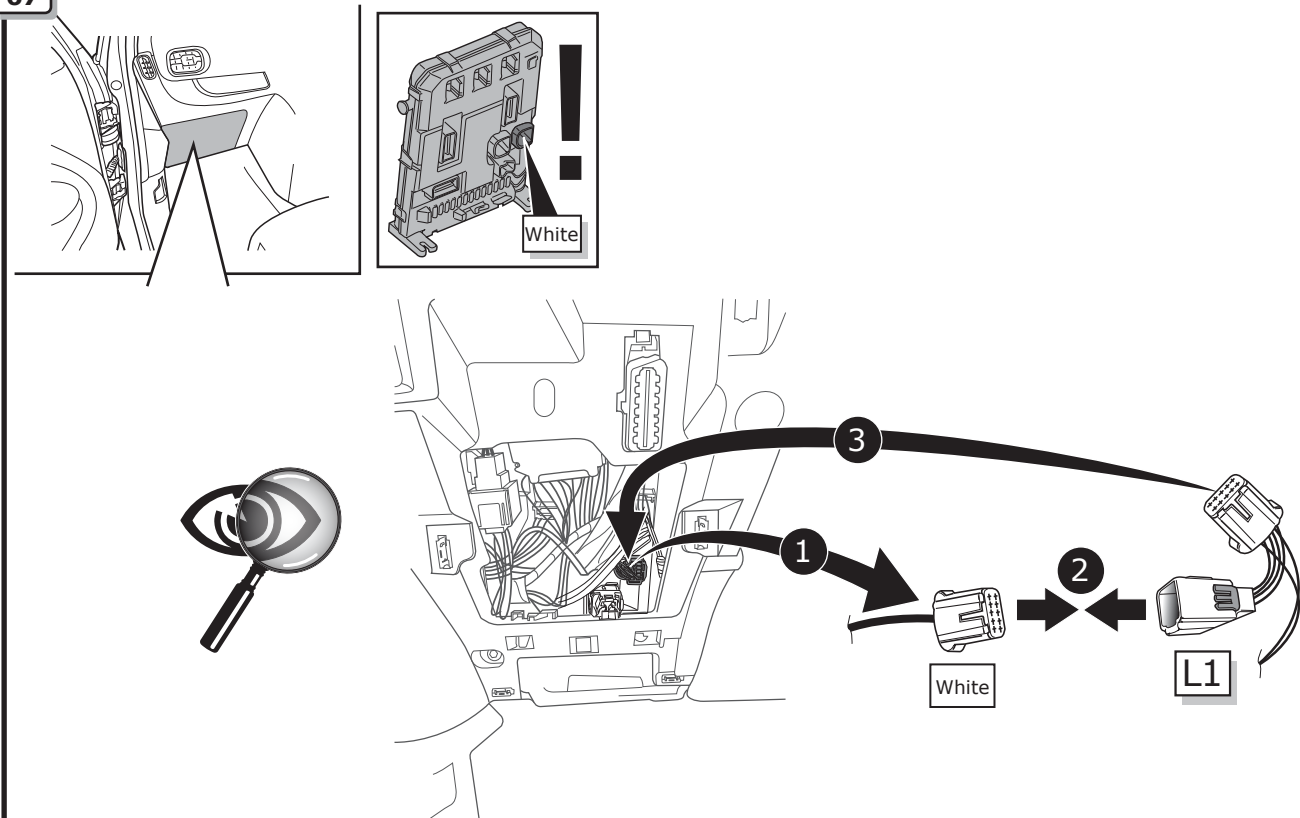


66

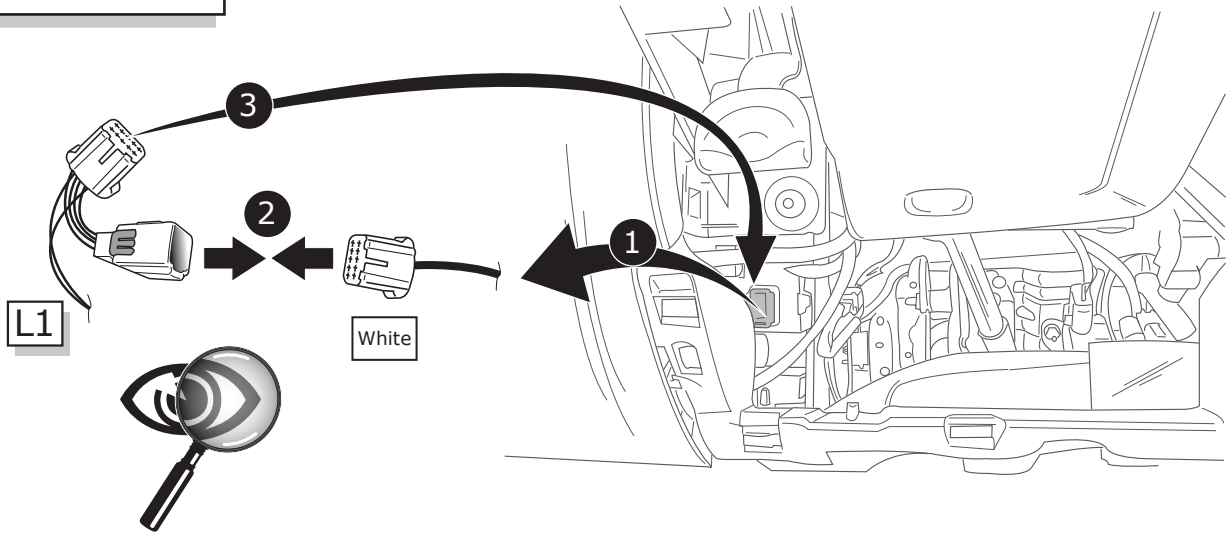
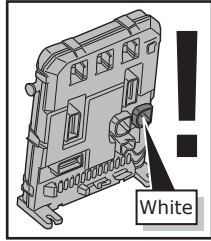
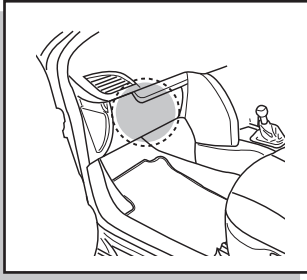


All Models (not 207 / 207 CC / 207 SW)

67

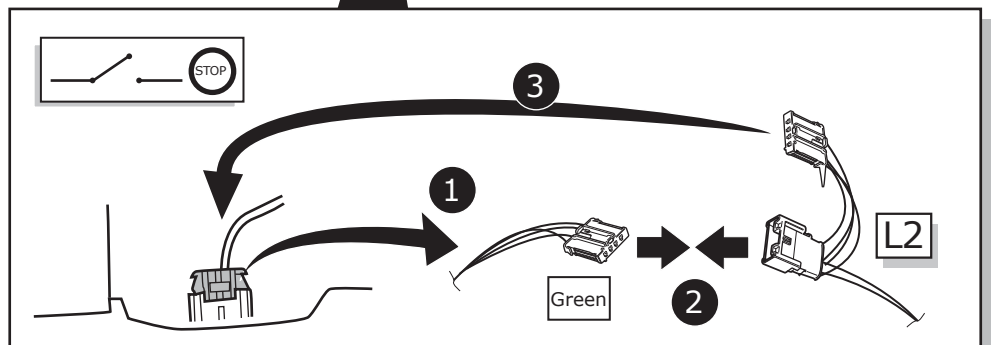
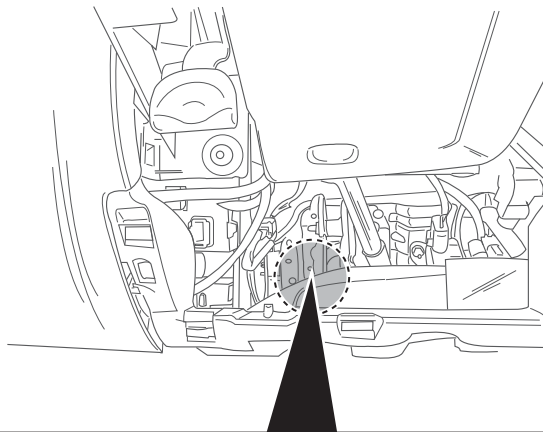
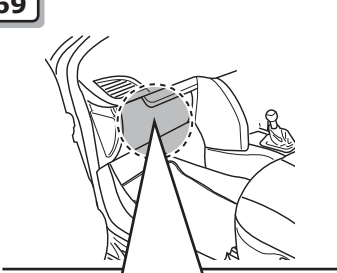


68

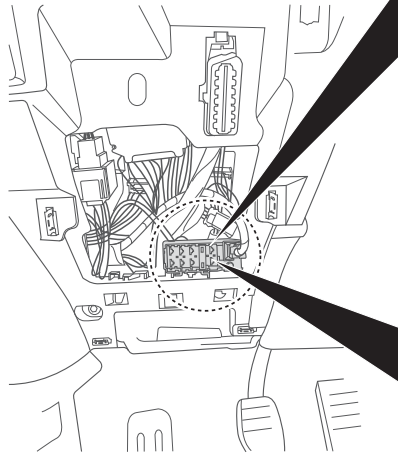
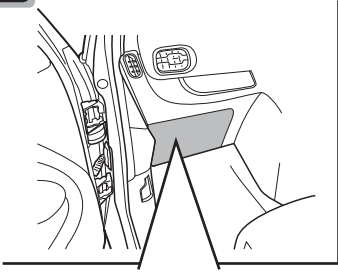


All Models

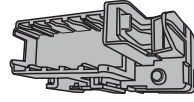
69



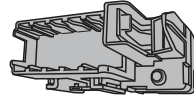
70



C3 Picasso
 C3 III
 DS3
 DS3 Cabriolet
 308 SW
 308
 308 CC
 3008
 C4 / 207
 207 CC
 Berlingo
 Partner

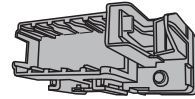


71

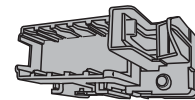


72

C2
 C3
 C3 Pluriel

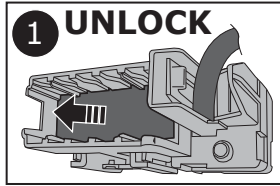
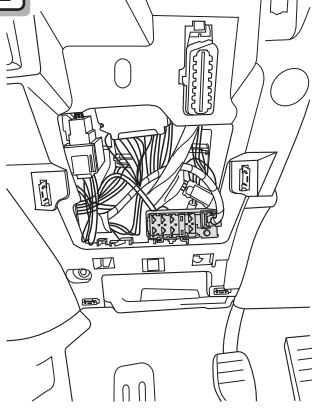


73

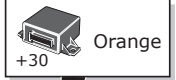
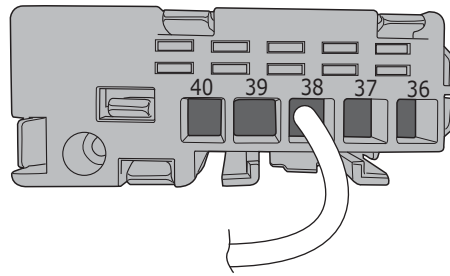


74

71



! Choose free position

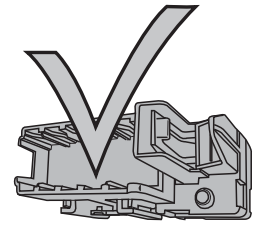
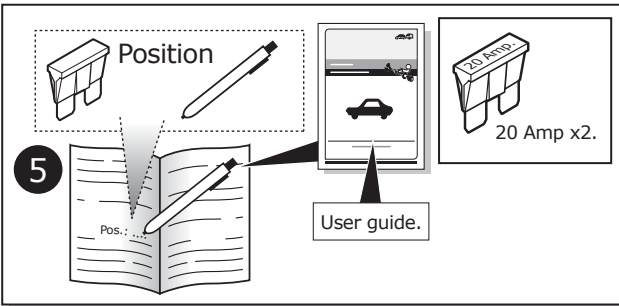
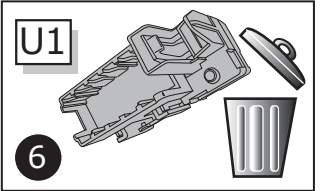
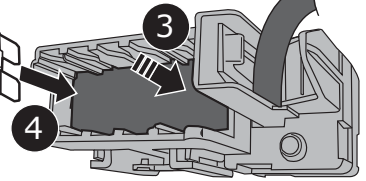


U1

2

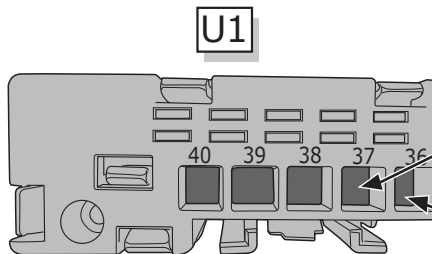
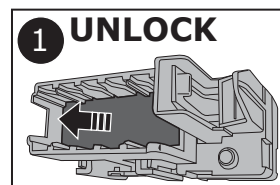
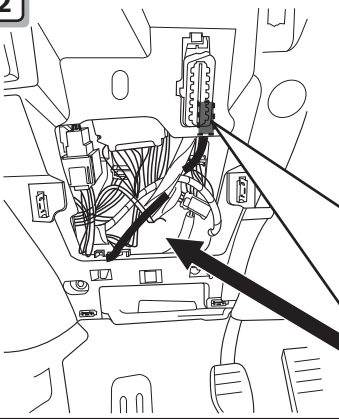


LOCK



C3 Picasso / C3 III
DS3 / DS3 Cabriolet
308 SW / 308
308 CC / 3008 / C4
207 / 207 CC
Berlingo / Partner

72

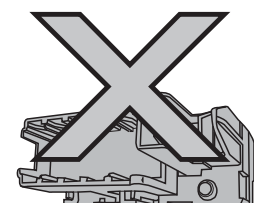
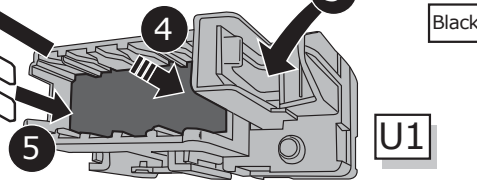


U1

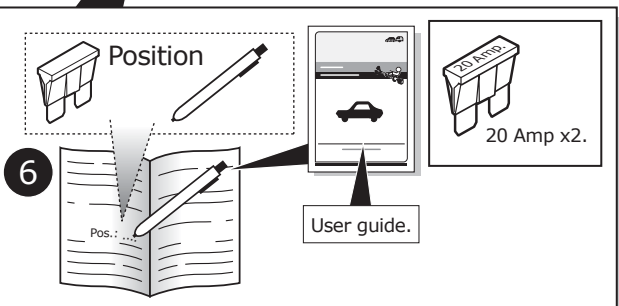
2



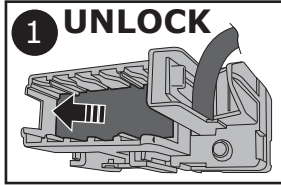
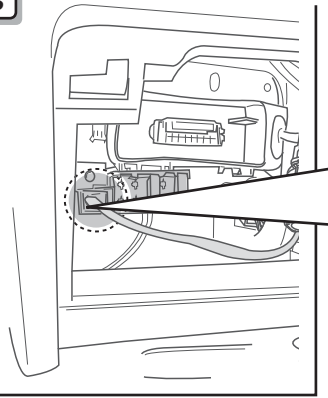
LOCK



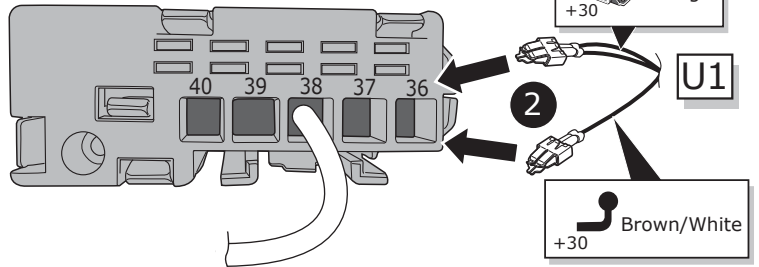
C3 Picasso / C3 III
DS3 / DS3 Cabriolet
308 SW / 308
308 CC / 3008
C4 / 207 / 207 CC
Berlingo / Partner



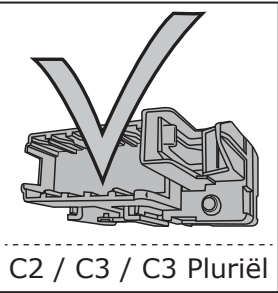
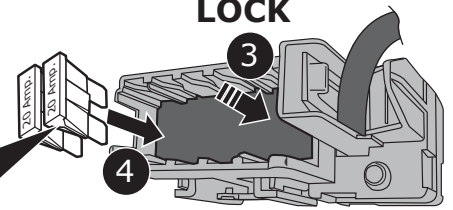
73



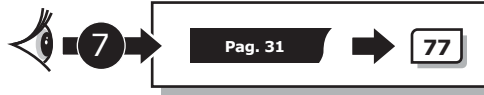
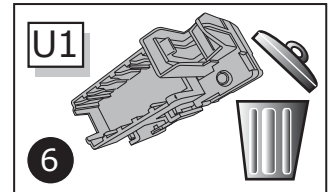
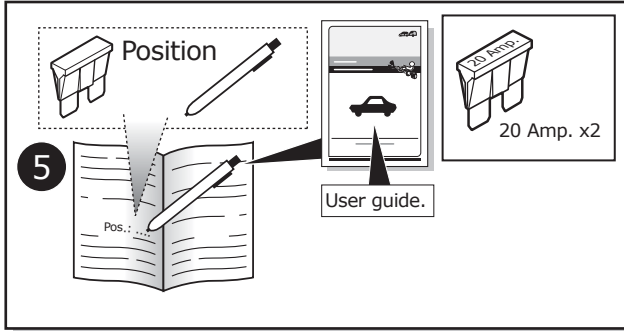
! Choose free position



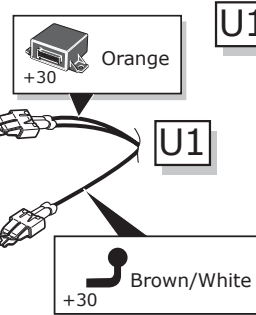
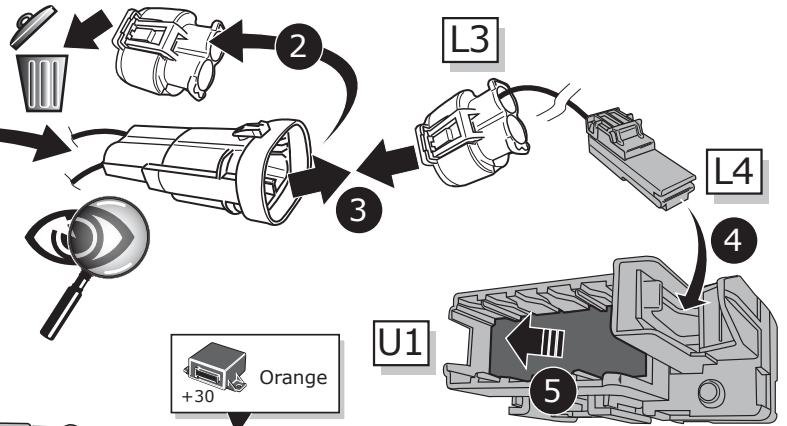
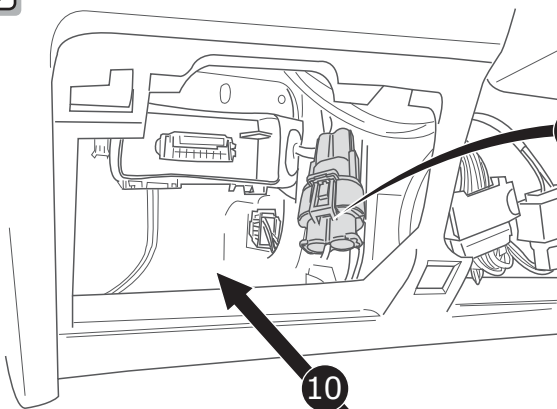
LOCK



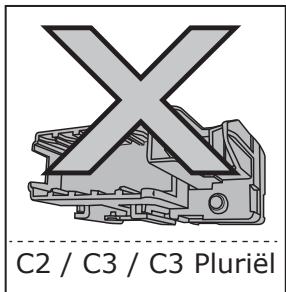
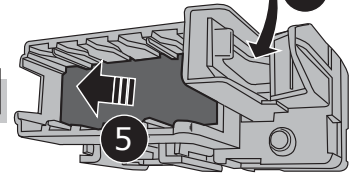
C2 / C3 / C3 Pluriël



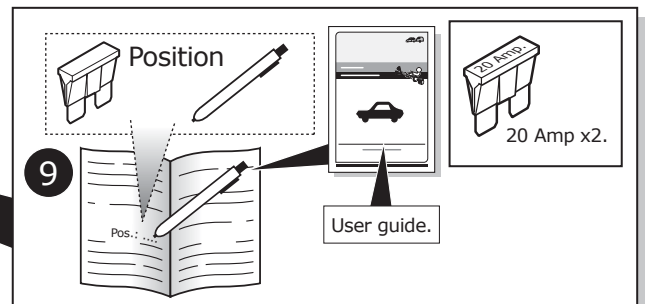
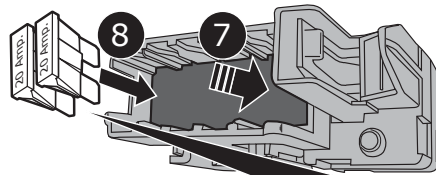
74



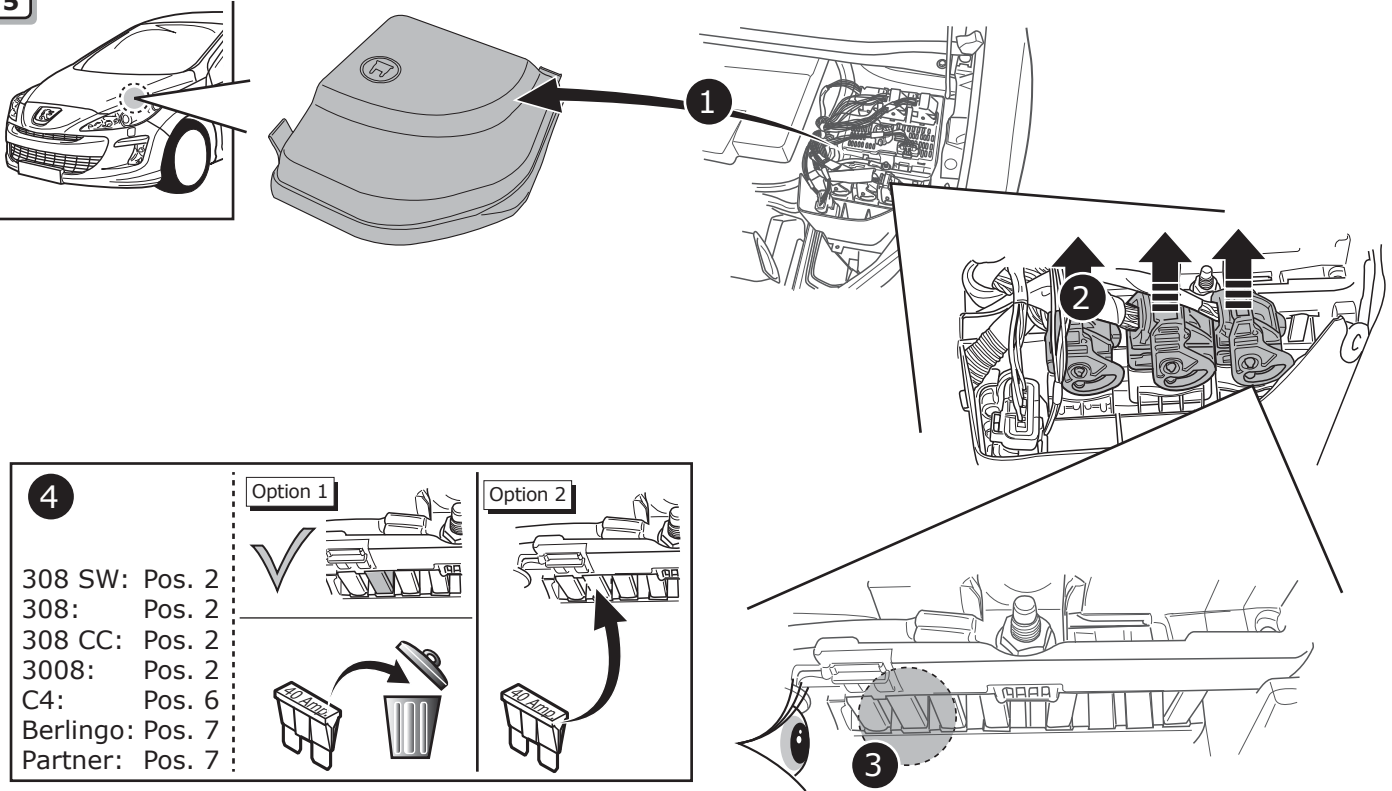
UNLOCK



C2 / C3 / C3 Pluriël



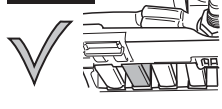
75



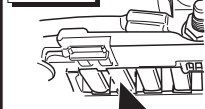
4

- 308 SW: Pos. 2
- 308: Pos. 2
- 308 CC: Pos. 2
- 3008: Pos. 2
- C4: Pos. 6
- Berlingo: Pos. 7
- Partner: Pos. 7

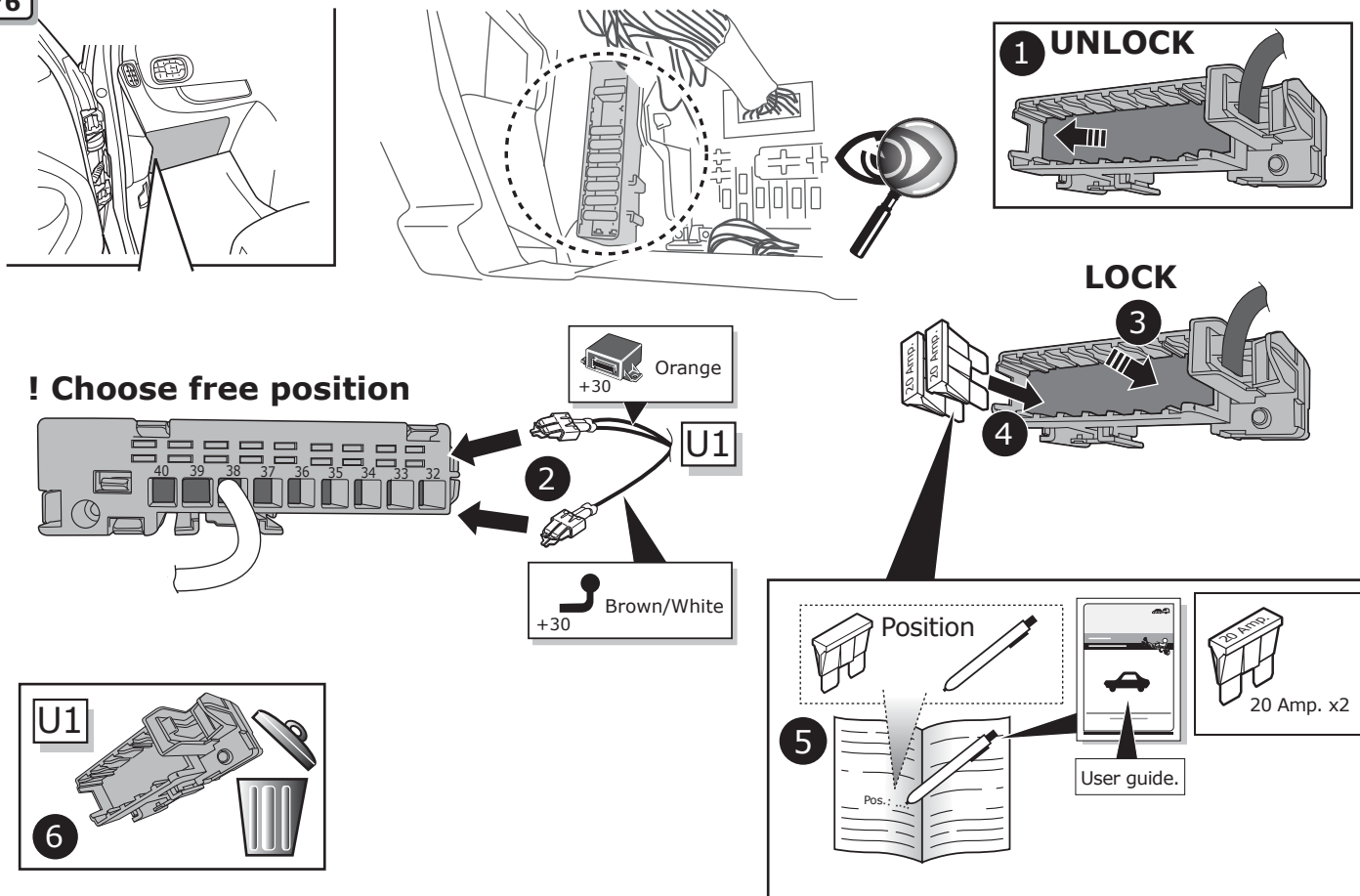
Option 1



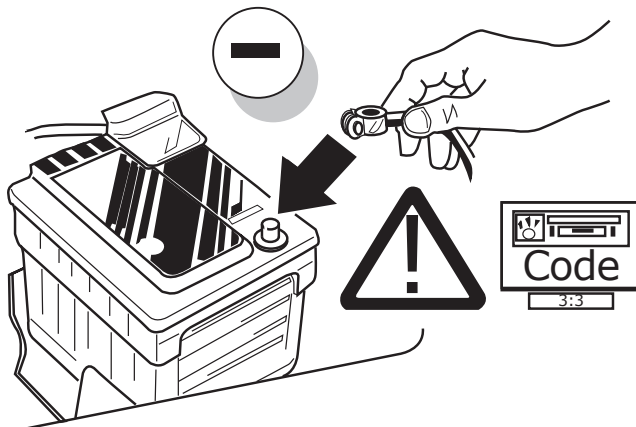
Option 2



76



77



78



TEST ALL THE CIRCUITS WITH A TEST DEVICE WITH THE CORRECT POWER LOAD FOR EACH FUNCTION. A TEST DEVICE WITH LED'S CANNOT BE USED FOR THIS PURPOSE.

INFO

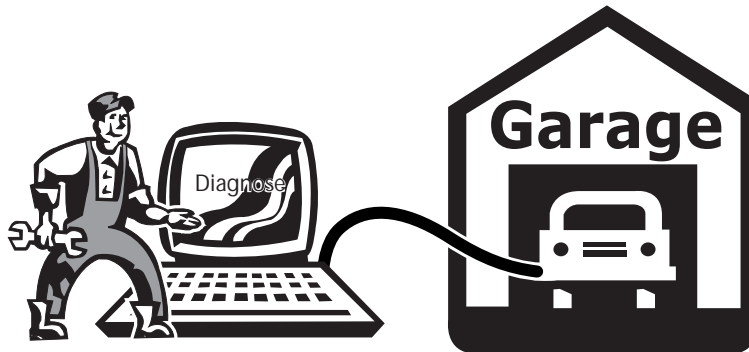
REINSTALL TRIM.

INFO

Only for O.E.M. PDC
PARK DISTANCE CONTROL

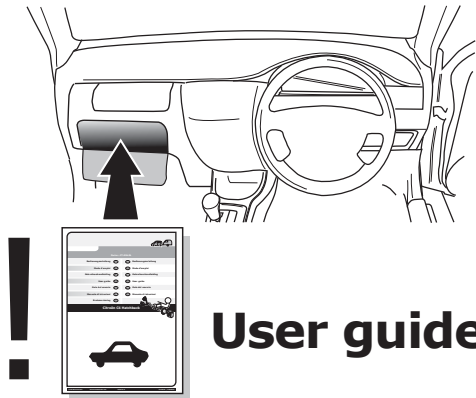
PARK DISTANCE CONTROL

C2

The block contains a diagram of the PDC system for a truck and a car. Below the diagram is a box with the text 'C2'.

All Models

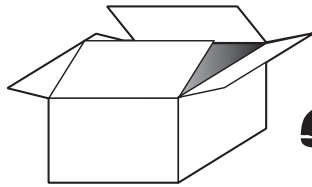
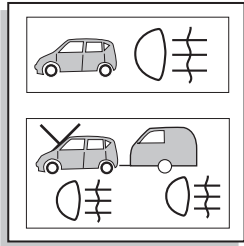
79



User guide



OPTION



Consult your supplier.

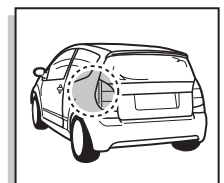
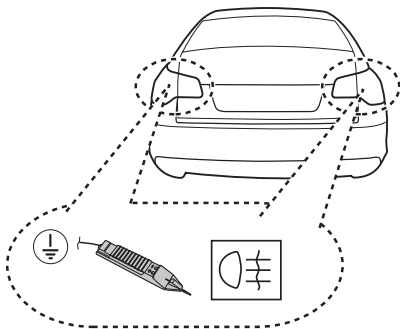
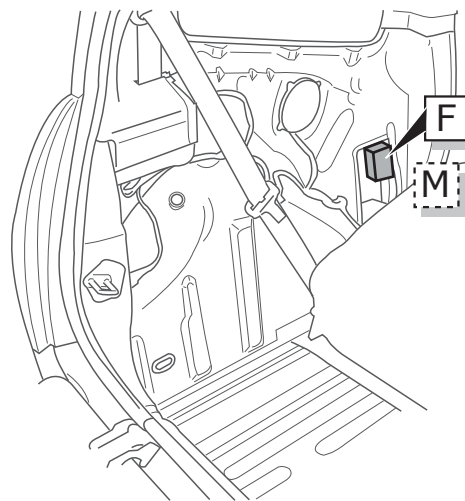
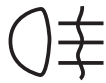
SP-161-ZZ

INFO SP-161-ZZ

INFO

C2

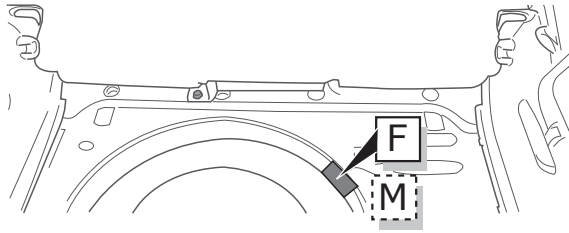
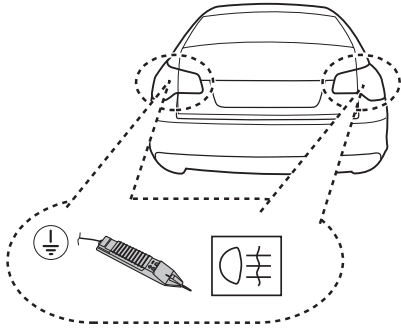
Optional SP-161-ZZ 2x!



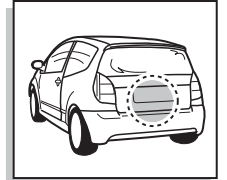
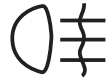
INFO SP-161-ZZ

INFO

C3



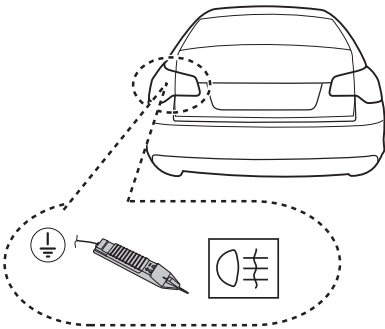
Optional SP-161-ZZ 2x!



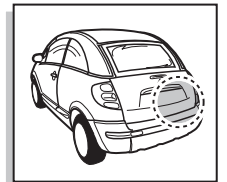
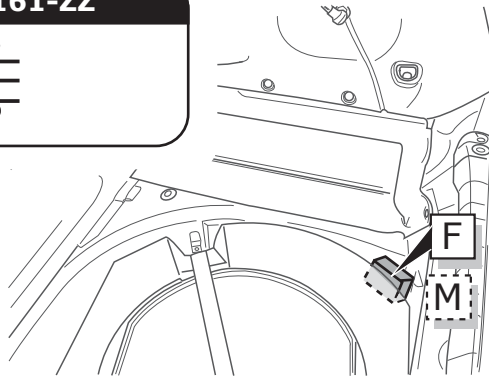
INFO SP-161-ZZ

INFO

C3 Pluriël



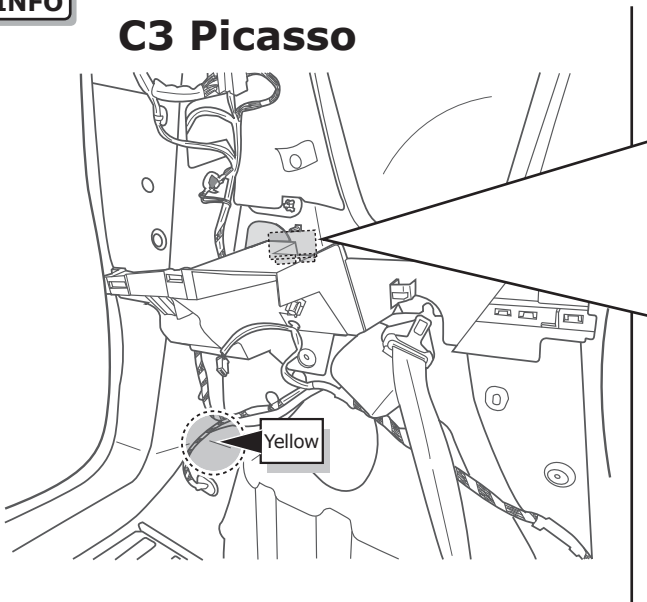
Optional SP-161-ZZ



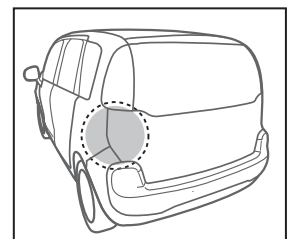
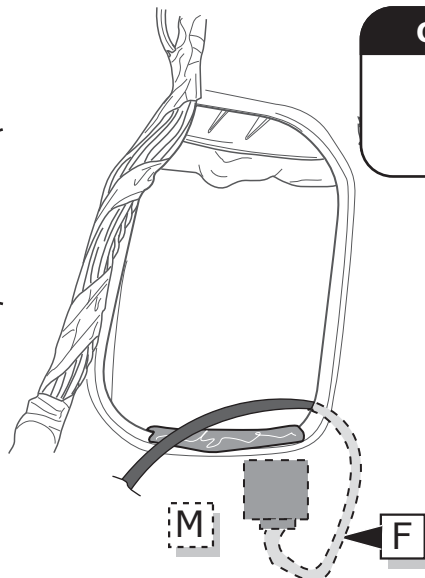
INFO SP-161-ZZ

INFO

C3 Picasso

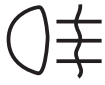


Optional SP-161-ZZ

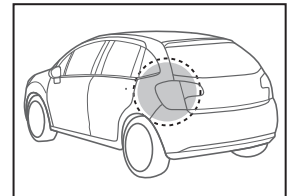
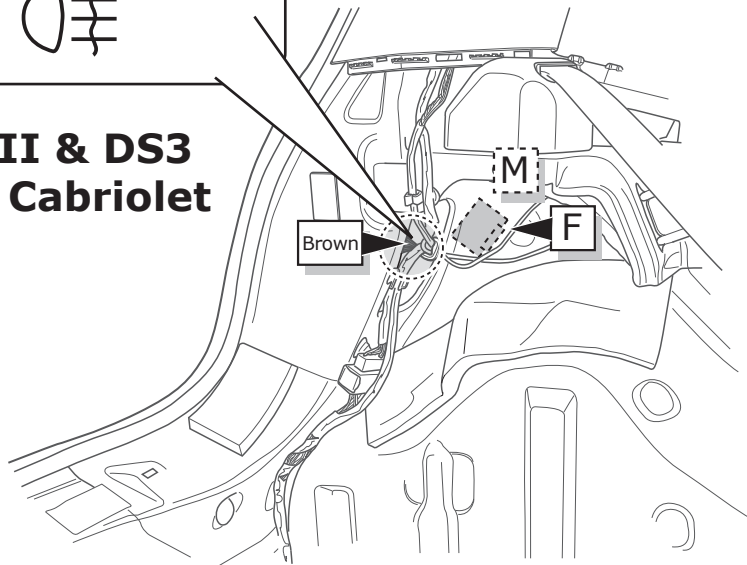


INFO

Optional SP-161-ZZ

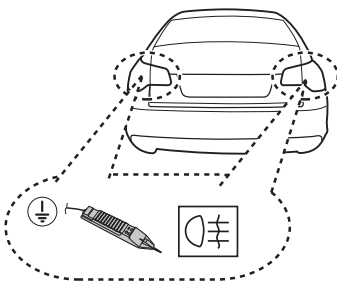


C3 III & DS3
DS3 Cabriolet

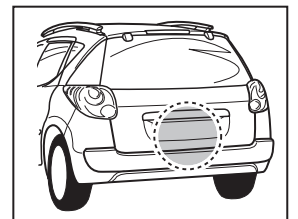
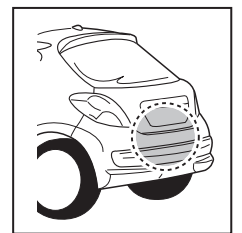
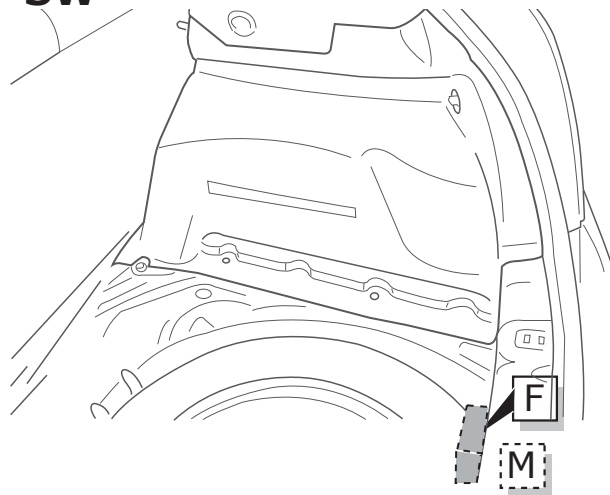


INFO

Peugeot 207 / 207 SW

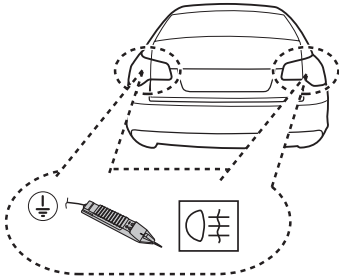


Optional SP-161-ZZ 2x!

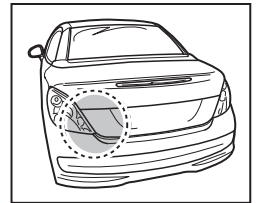
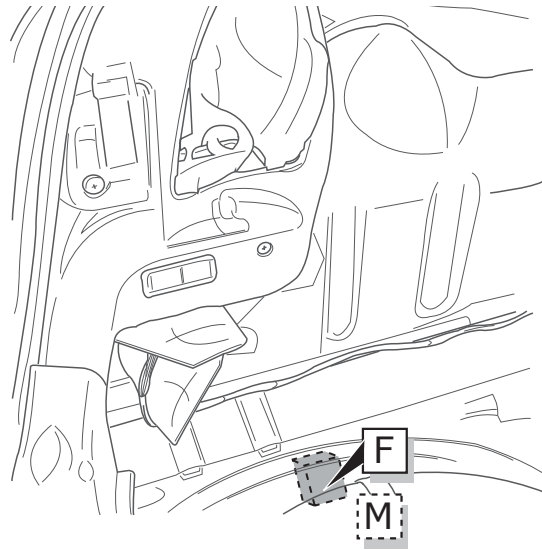
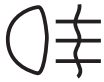


INFO

Peugeot 207 CC



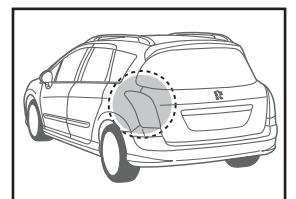
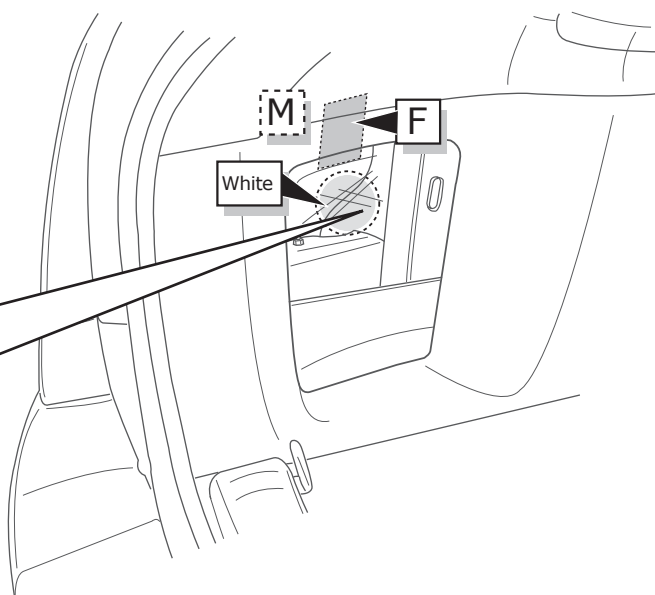
Optional SP-161-ZZ 2x!



INFO

Peugeot 308 SW

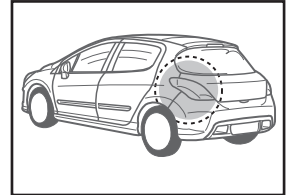
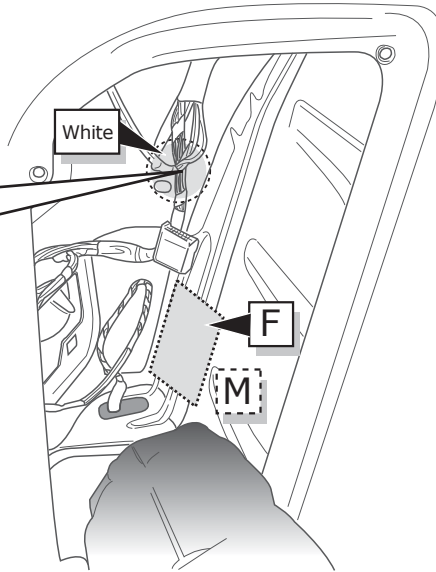
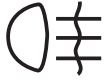
Optional SP-161-ZZ



INFO

Peugeot 308

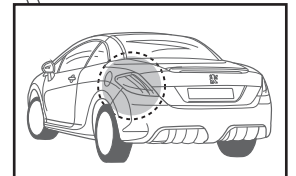
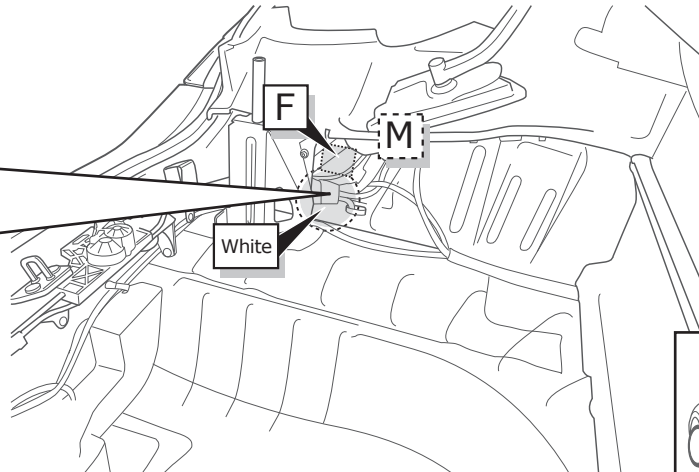
Optional SP-161-ZZ



INFO

Peugeot 308 CC

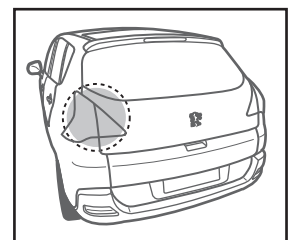
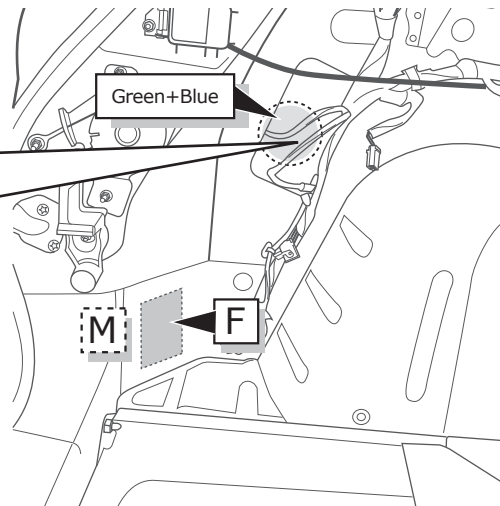
Optional SP-161-ZZ



INFO

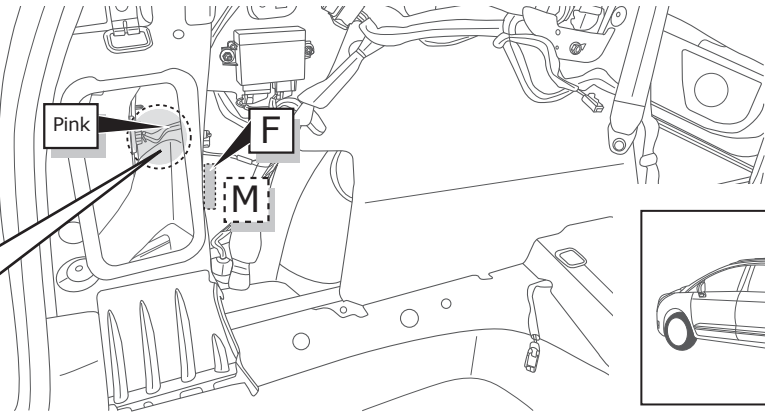
Peugeot 3008

Optional SP-161-ZZ 2x!

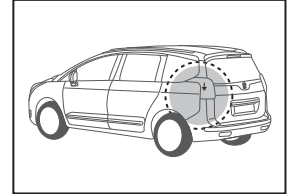
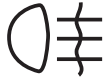


INFO

Peugeot 5008

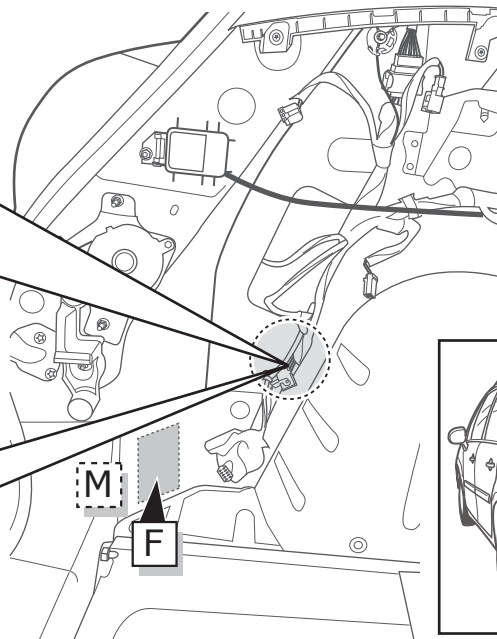
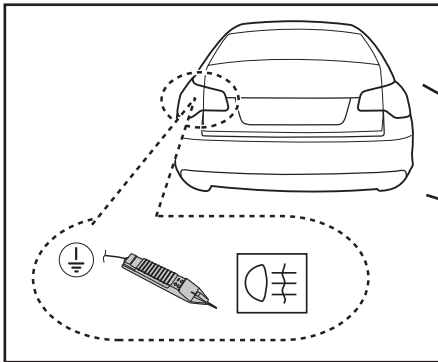


Optional SP-161-ZZ

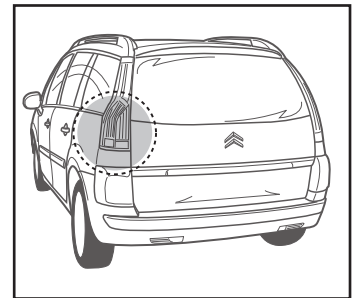


INFO

Citroën C4 Picasso / C4 Grand Picasso



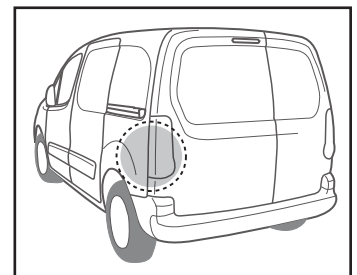
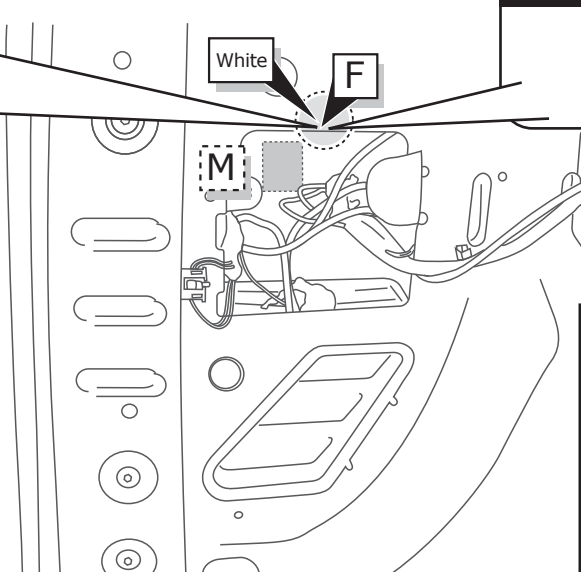
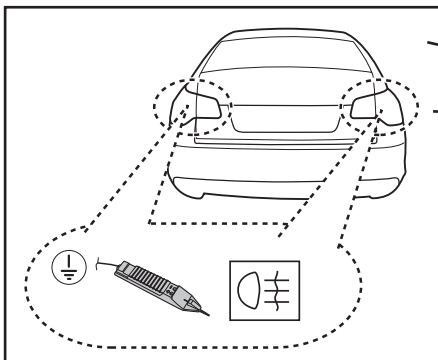
Optional SP-161-ZZ 2x!





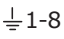







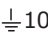

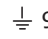
INFO

Citroën Berlingo / Peugeot Partner

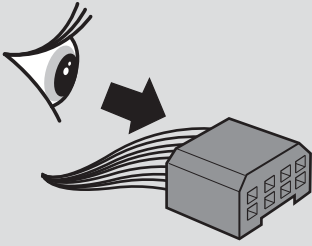
Optional SP-161-ZZ 2x!



SOCKET CONNECTION

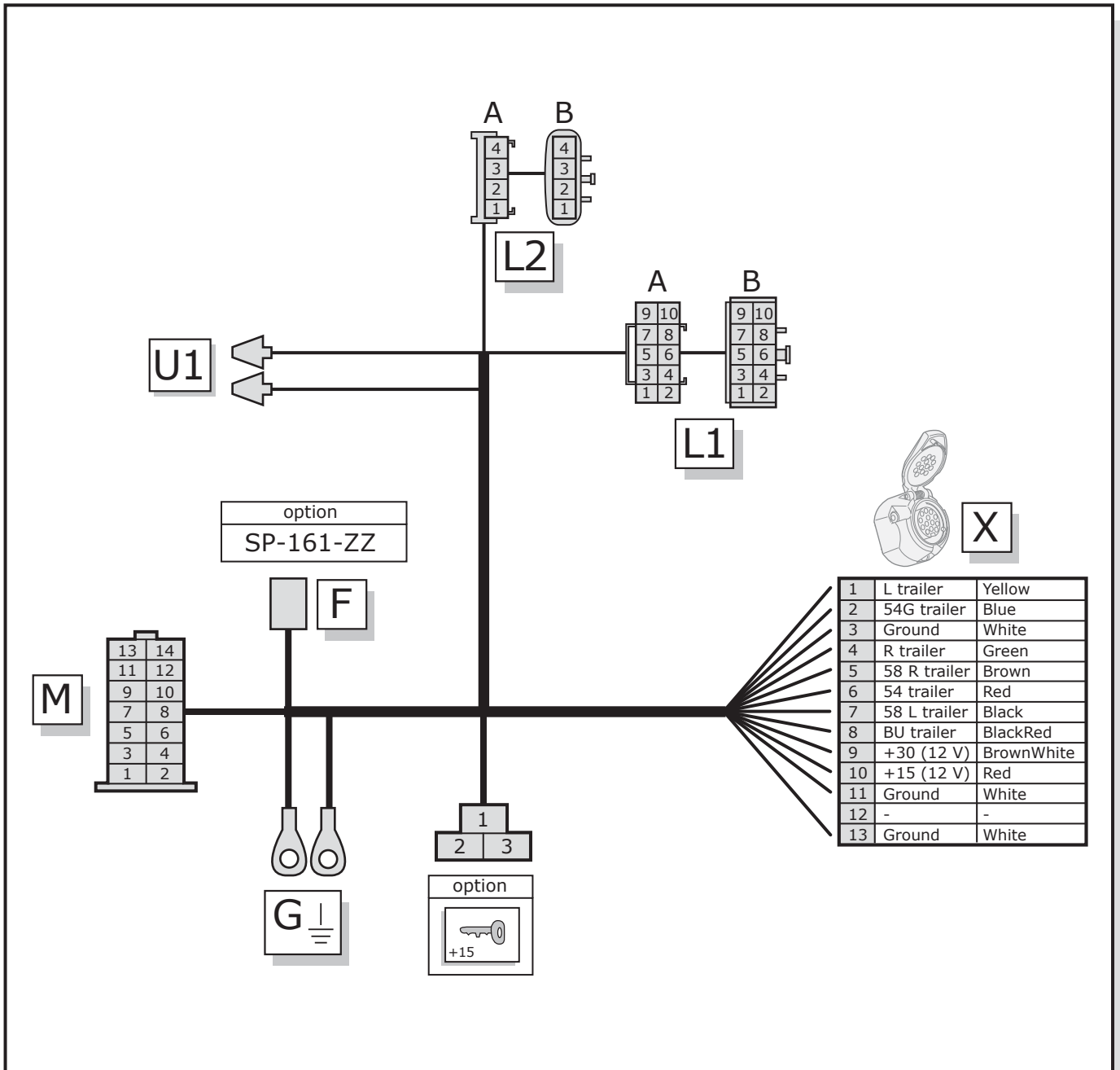
DIN/ISO 11446													
	1/L	2	3/31	4/R	5/58-R	6/54	7/58-L	8	9	10	11	12	13
Pmax	21W	21W		21W	42W	3x21W	42W	21W	180W/15Amp	180W/15Amp			
Colour	Yellow	Blue	White	Green	Brown	Red 1,00 mm ²	Black	Black/ Red	Brown/ White	Red 2,50 mm ²	White	-	White

INFO POWER SCHEDULE CT-050-D1U



L	←	54	STOP
R	→	54G	≡
58L	⊖	BU	⊖
58R	⊕	Ground/31	⊖

colortable → Pag. 3



INFO POWER SCHEDULE CT-050-D1U

M

1	Red	54 trailer	out
2	Orange	+30 (12 V)	in
3	Red/White	R	in
4	Yellow	L trailer	out
5	BlueRed	54	in
6	Black	58 L trailer	out
7	Orange	CAN L	in
8	White	Ground	-
9	Bronw	CAN H	in
10	Green	R trailer	out
11	Blue	54G trailer	out
12	Brown	58 R trailer	out
13	BlackRed	BUT	out
14	Orange	+30	in

**OPTION
+15**

1	-	-	-
2	-	-	-
3	Red	+15 (12 V)	in

G

1	White	Ground	-
---	-------	--------	---

F

1	Blue	54G trailer	out
---	------	-------------	-----

OPTION: SP-161-ZZ

L1

	A		
1	Green	-	-
2	Green	CAN L	-
3	Green	-	-
4	Green	-	-
5	Green	-	-
6	Green	CAN H	-
7	Green	-	-
8	Green	-	-
9	Green	-	-
10	Green	-	-

	B		
1	Green	-	-
2	Orange+Green	CAN L	in
3	Green	-	-
4	Green	-	-
5	Green	-	-
6	Brown+Green	CAN H	in
7	Green	-	-
8	Green	-	-
9	Green	-	-
10	Green	-	-

L2

	A		
1	Green	-	-
2	Green	-	-
3	Green	54	-
4	Green	-	-

	B		
1	Green	-	-
2	Green	-	-
3	Green+BlueRed	54	in
4	Green	-	-

U1

1	Orange	+30	in
---	--------	-----	----

1	BrownWhite	+30	in
---	------------	-----	----