

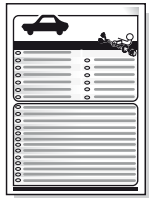
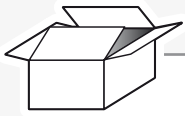
Dacia Duster 01/2014-

Partnr.: DA-014-DLU

- Fitting instructions electric wiring kit tow bar with 13-P socket up to DIN/ISO Norm 11446.
- We would expressly point out that assembly not carried out properly by a competent installer will result in cancellation of any right to damage compensation, in particular those arising by virtue of the product liability act.
- Contents of these kits and their fitting manuals are subject to alteration without notice, please ensure that these instructions are read and fully understood before commencing installation.
- Do not overload circuits; the maximum loads per connection are detailed in this manual.
- Attention! Before Installation, please read this manual carefully and inform your customer to consult the vehicle owners manual to check for any vehicle modifications required before towing.
- In the event of functional problems, troubleshooting must be limited to about 0.5 hours, contact the technical support:
ukts@ecs-electronics.com / 07440 202 052.



Part list



U

M

R

G I

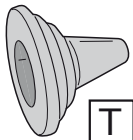
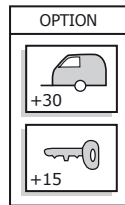
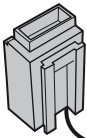
X

U1

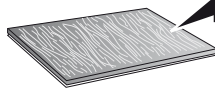


U2

U3

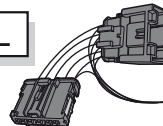


T

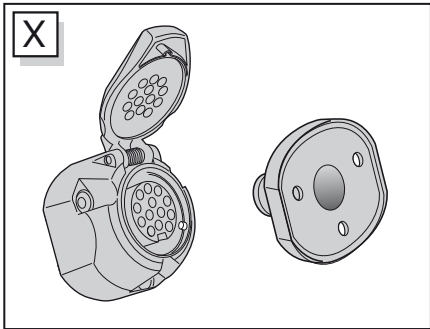
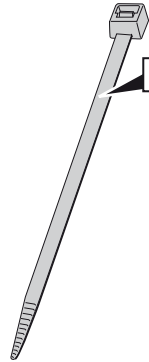


5x

L



4x

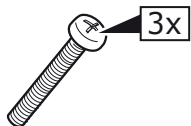
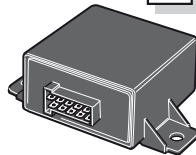


X

1x



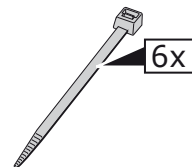
M



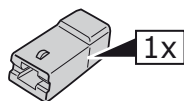
3x



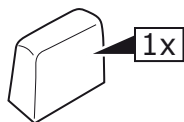
3x



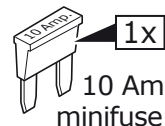
6x



1x



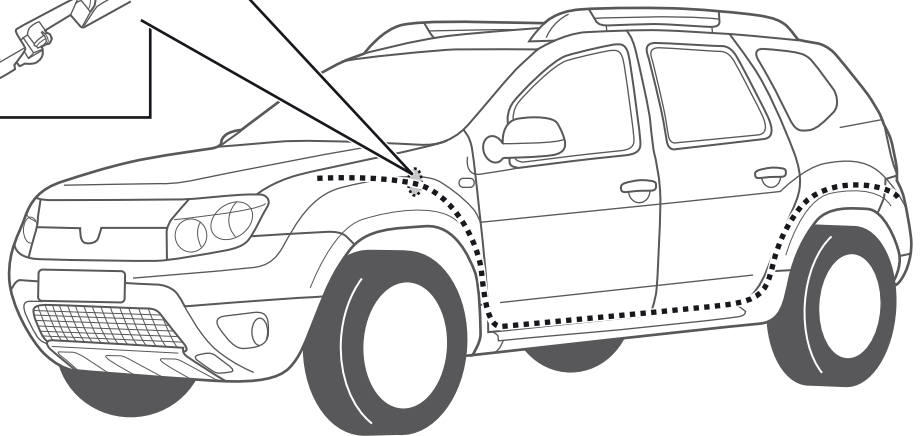
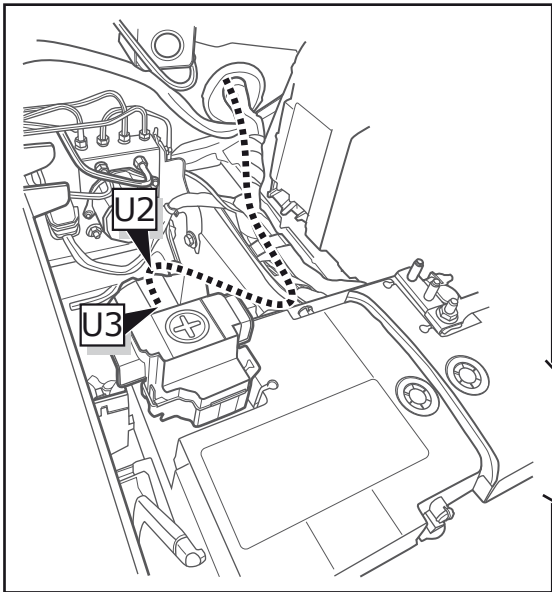
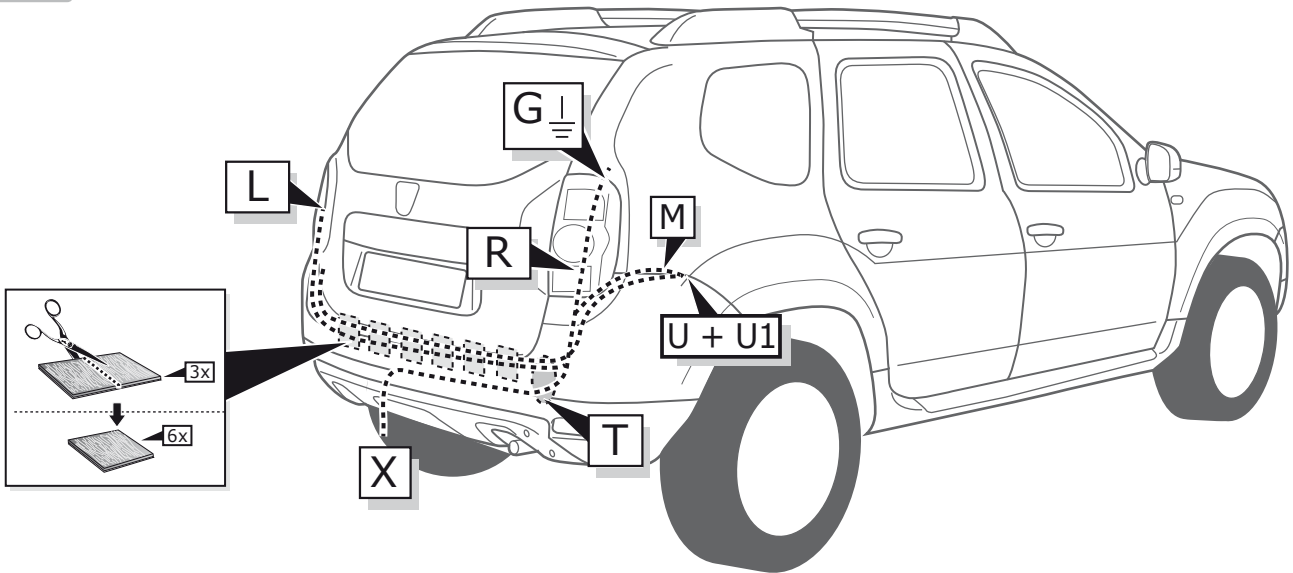
1x



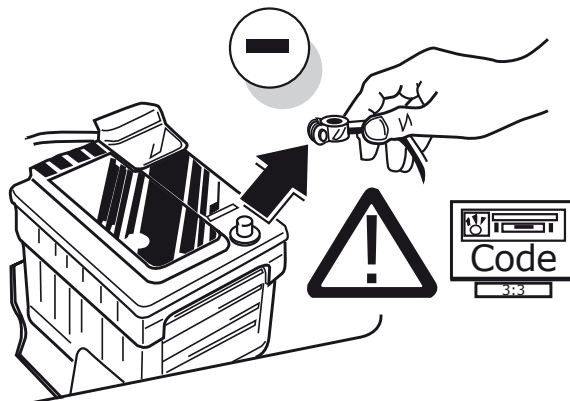
1x

10 Amp.
minifuse

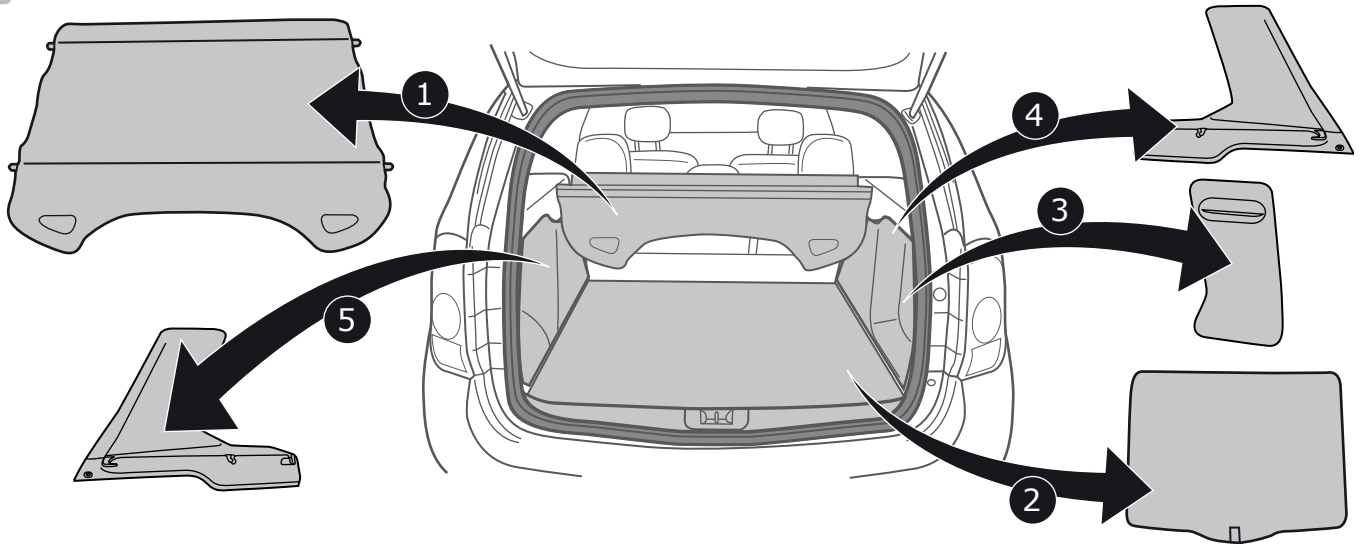
ROUTING



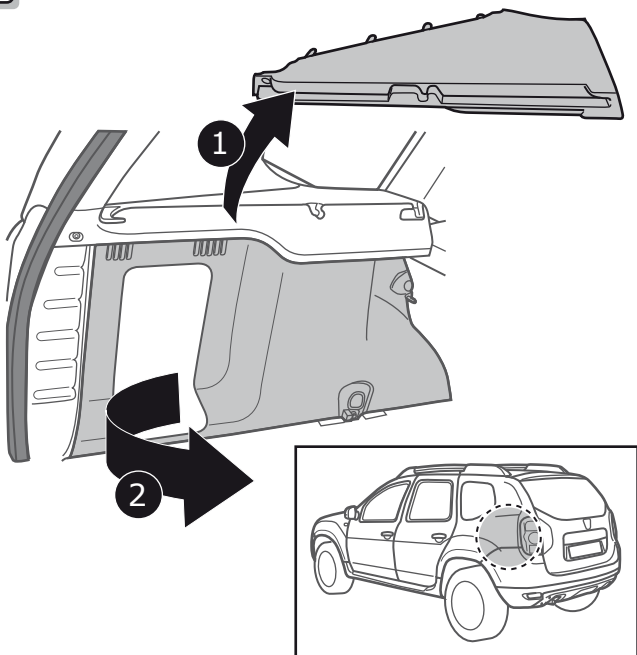
1



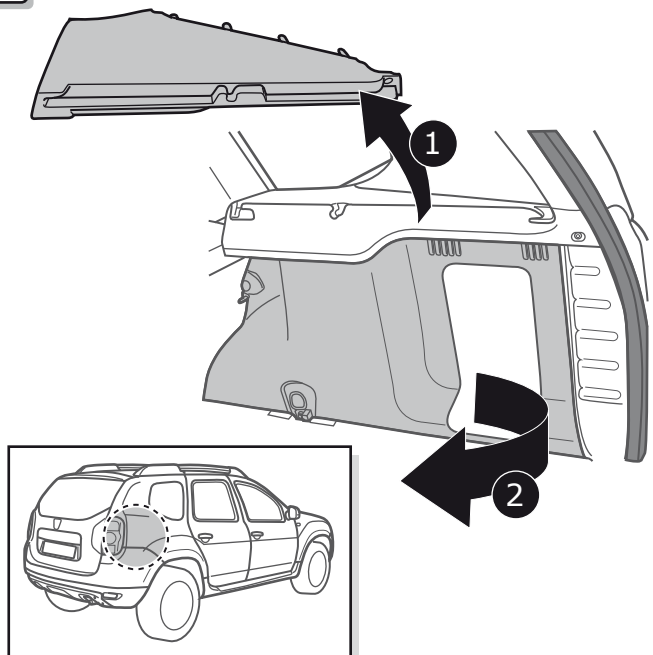
2



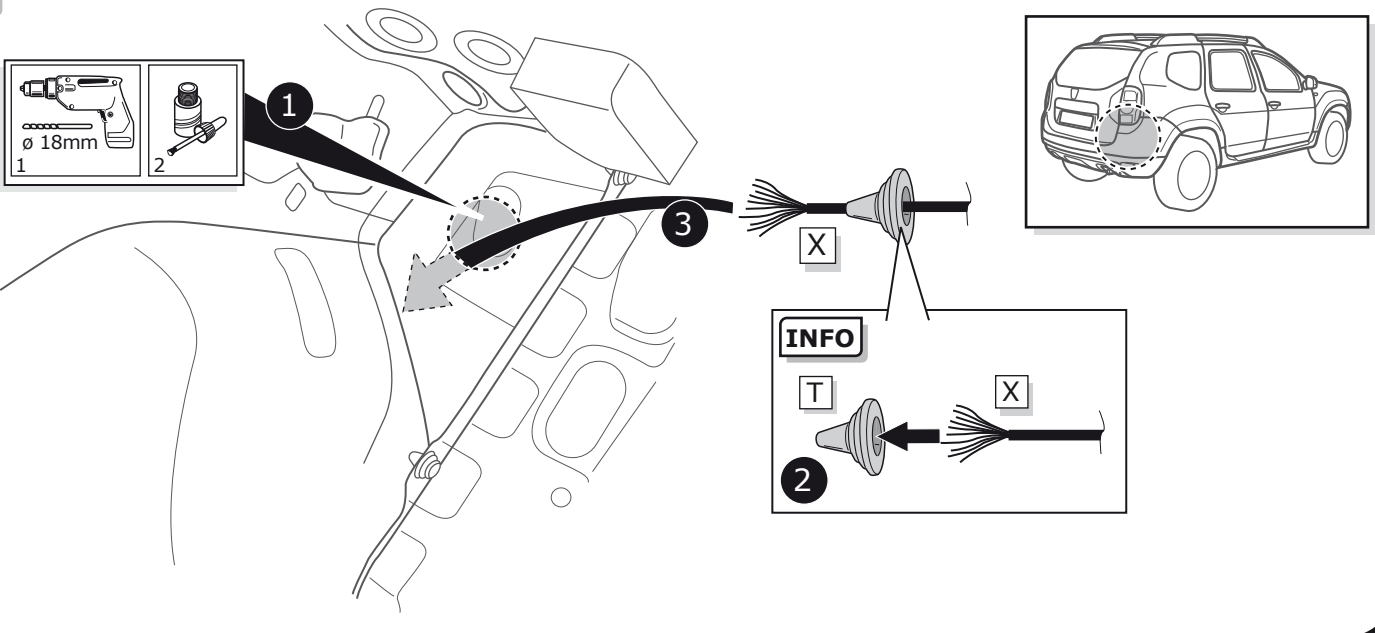
3



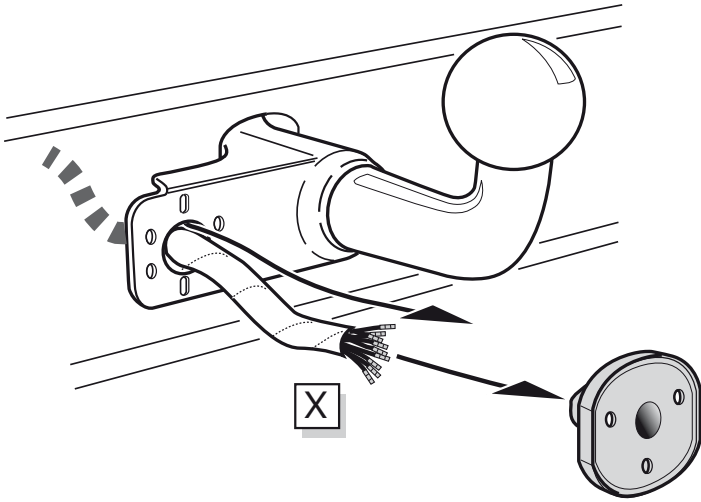
4



5



A



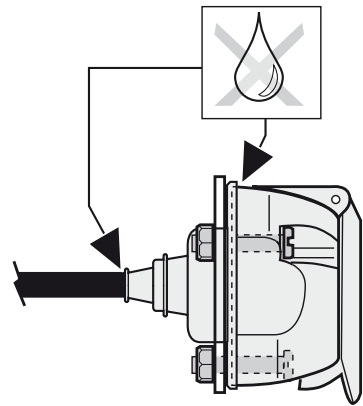
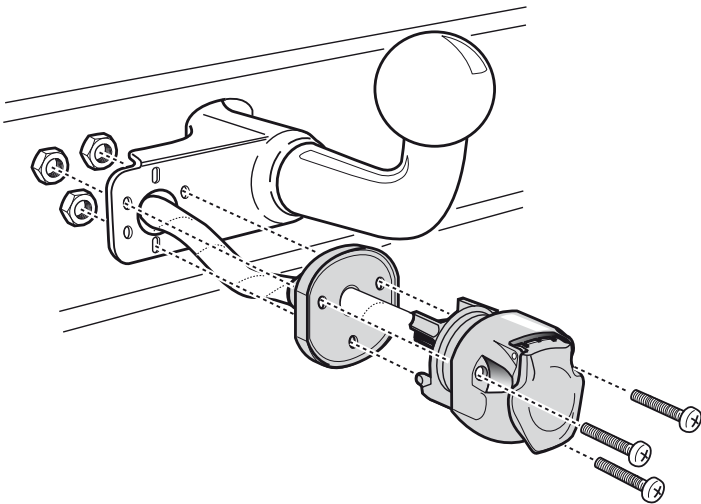
INFO

SOCKET CONNECTION

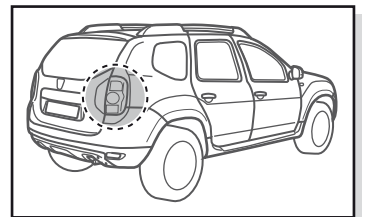
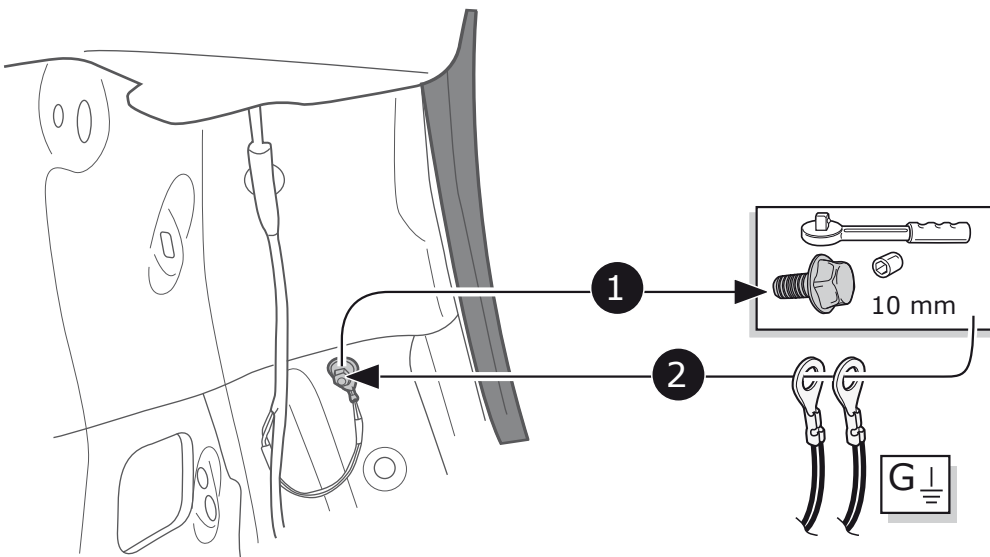


Pag. 9

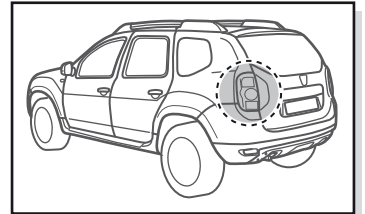
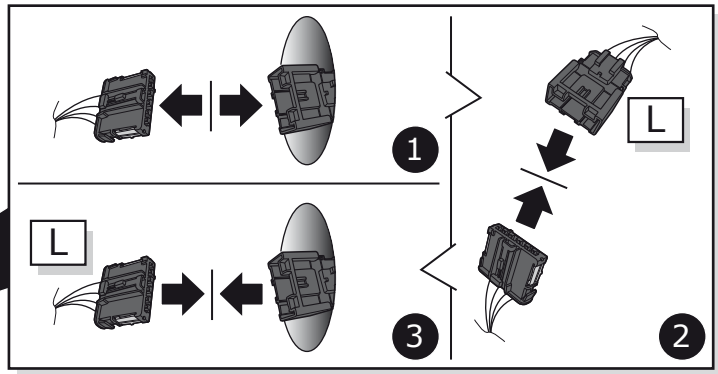
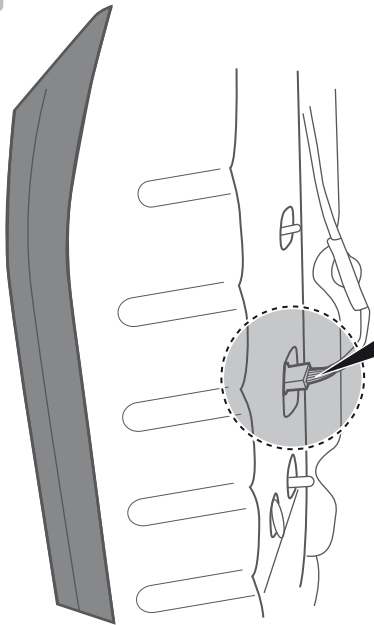
B



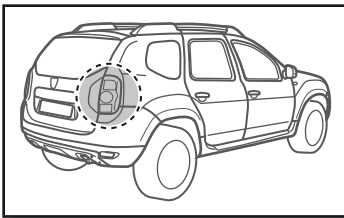
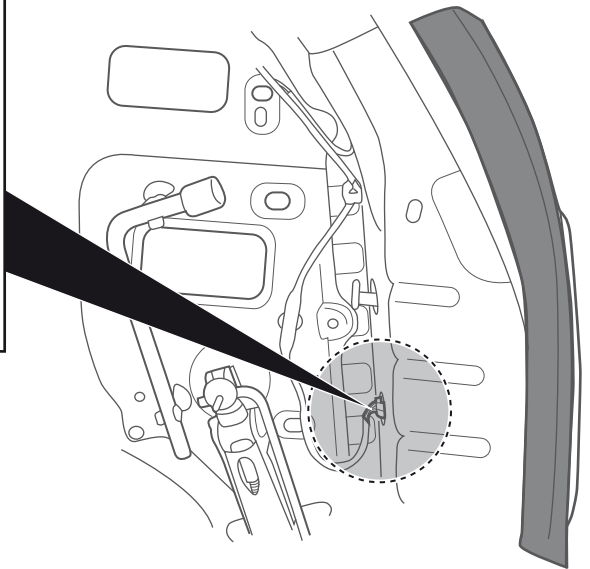
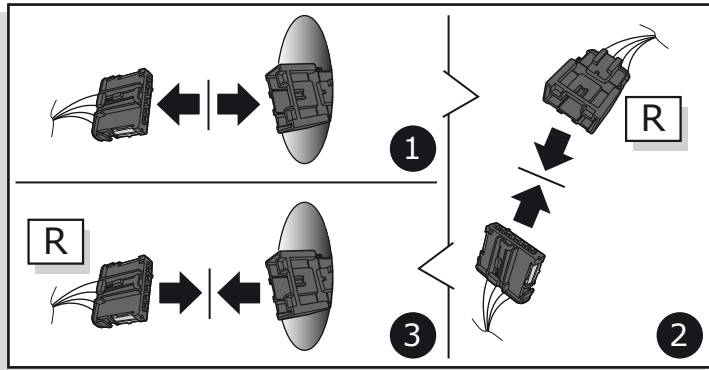
6



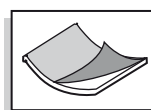
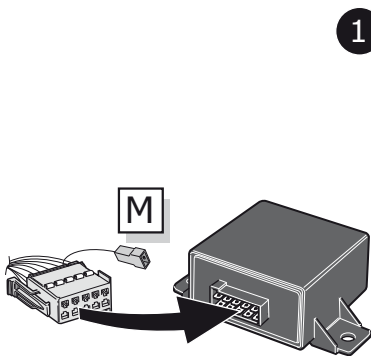
7



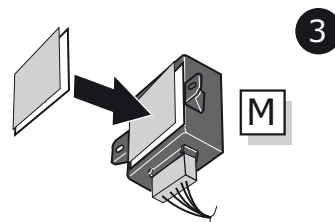
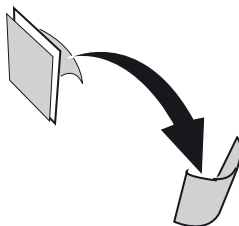
8



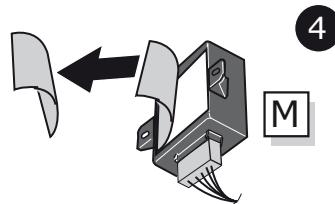
9



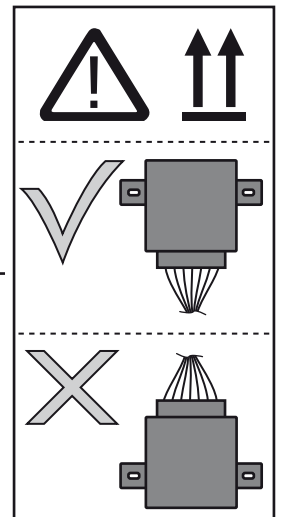
2



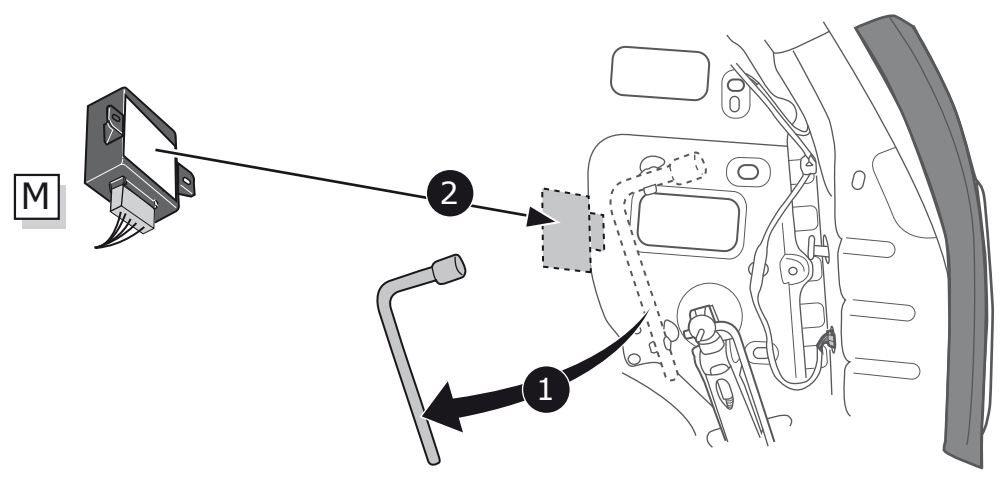
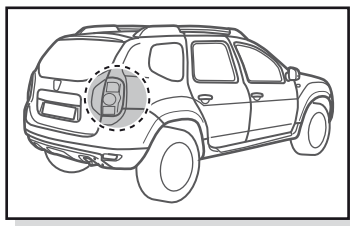
3



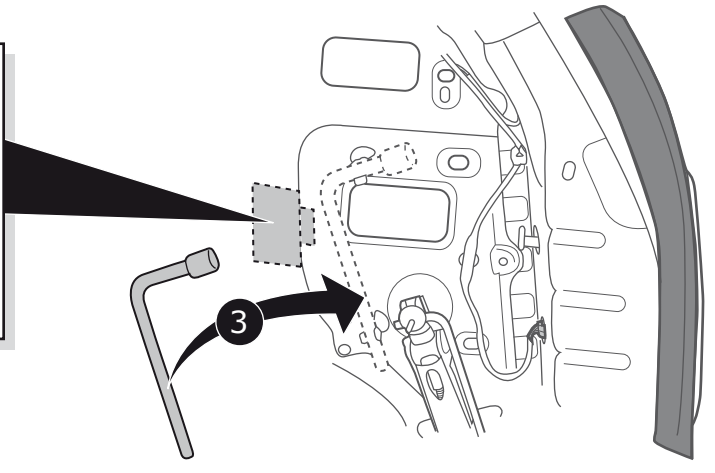
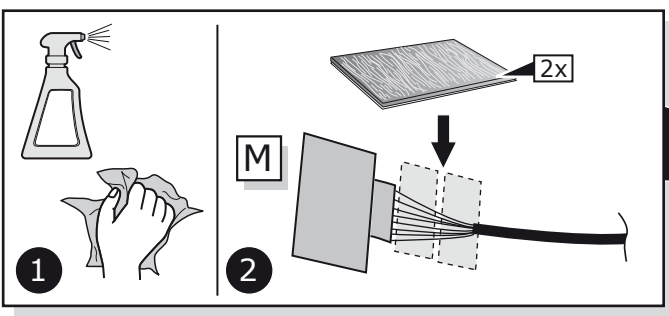
4



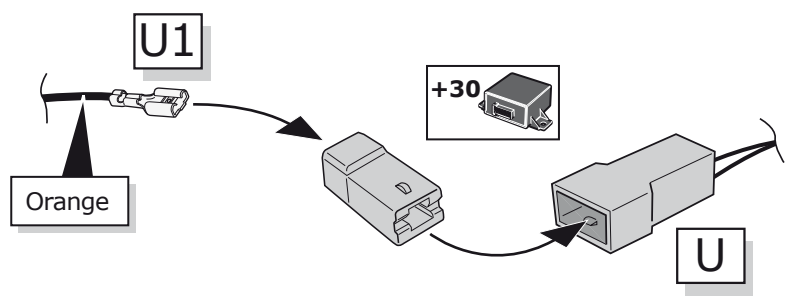
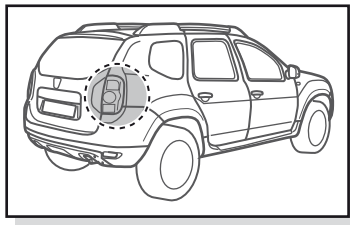
10



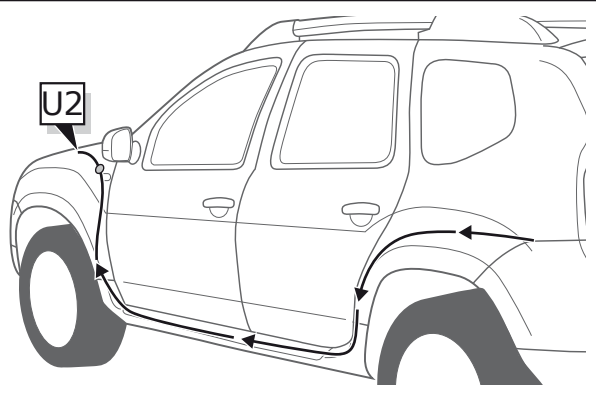
11



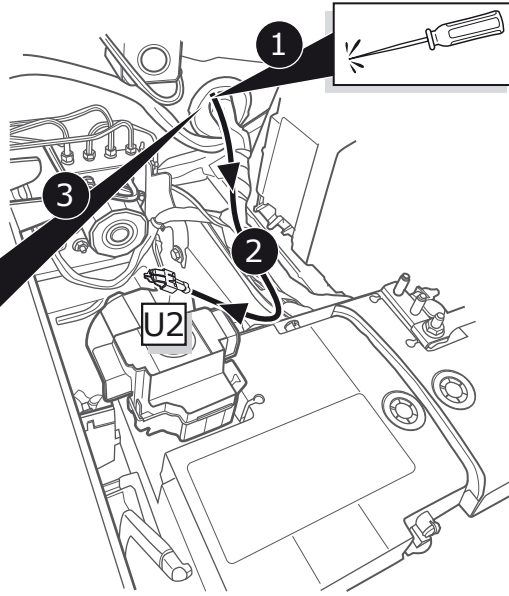
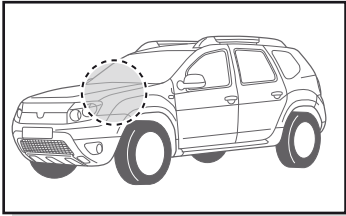
12



13

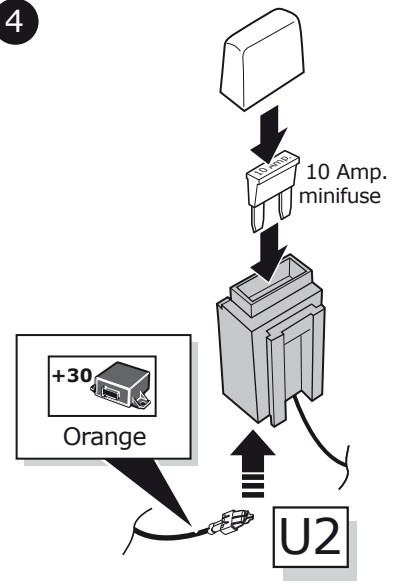


14

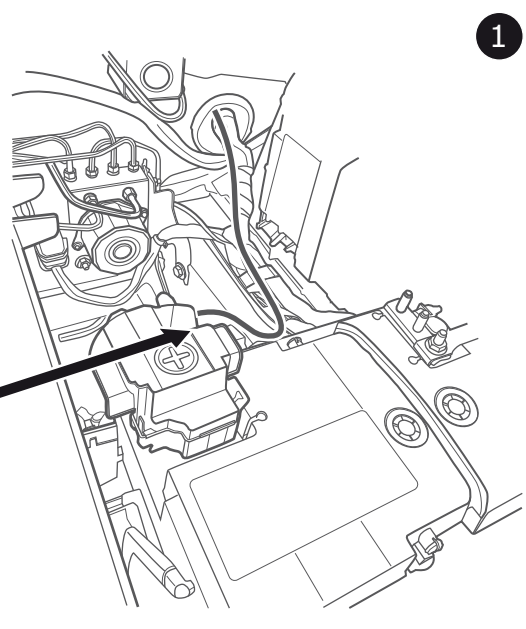
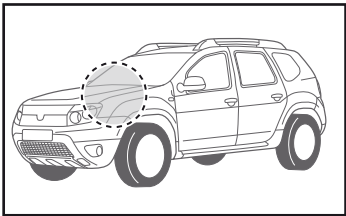


SEAL WITH SILICONE.

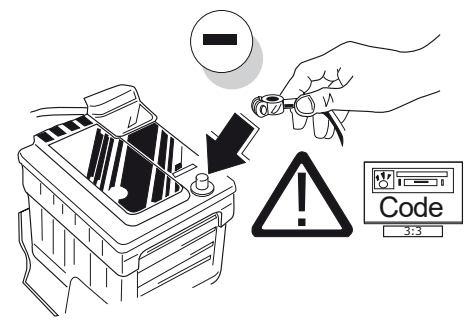
4



15



2



16

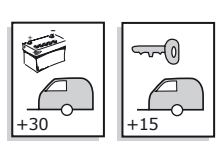


TEST ALL THE CIRCUITS WITH A TEST DEVICE WITH THE CORRECT POWER LOAD FOR EACH FUNCTION. A TEST DEVICE WITH LED'S CANNOT BE USED FOR THIS PURPOSE.

INFO

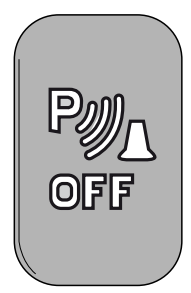
REINSTALL TRIM.

17

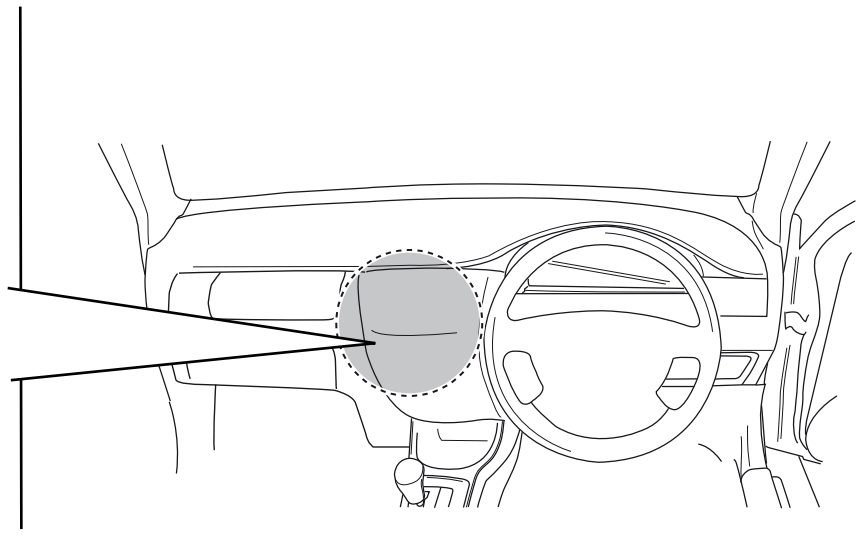


Consult your supplier.

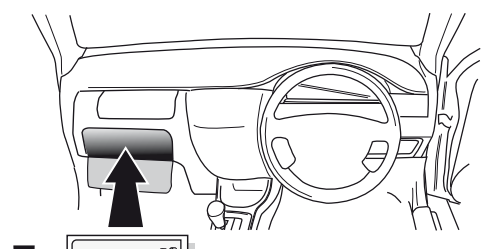
OPTION



PDC off



18



User guide



INFO

SOCKET CONNECTION

DIN/ISO 11446														
Pmax	21W	2x21W			21W	52W	3x21W	52W	2x21W	180W/15Amp	180W/15Amp			
Colour	Yellow	Blue	Grey	White	Green	Brown	Red 1,00 mm ²	Black	Black/ Red	Brown/ White	Red 2,50 mm ²	White	-	White