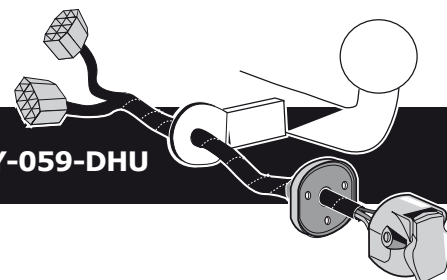


**Hyundai Santa Fe 2006 >> 09/2009**  
**Hyundai Santa Fe 2010 >>**

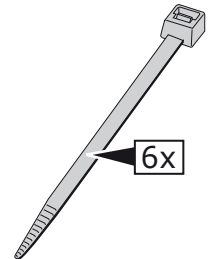
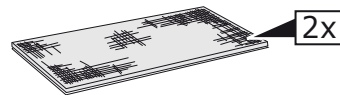
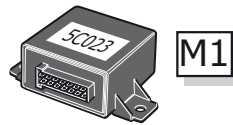
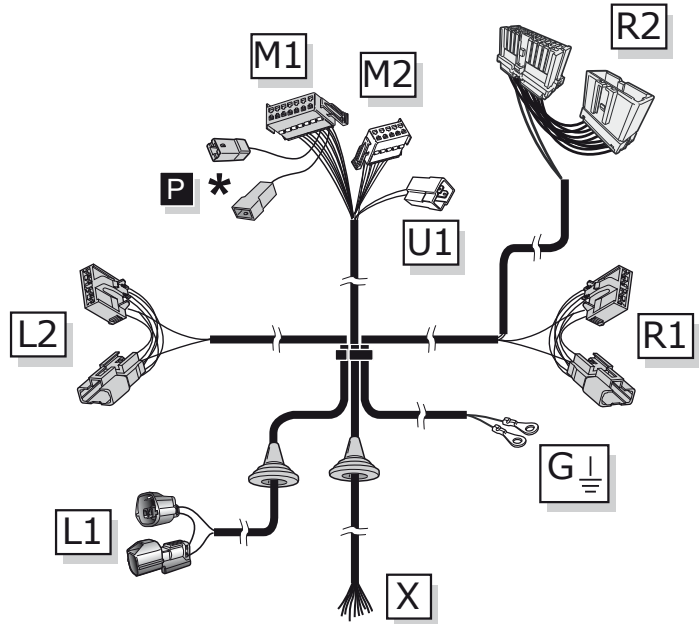
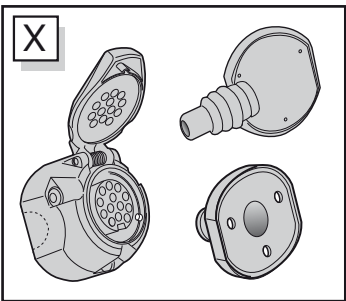
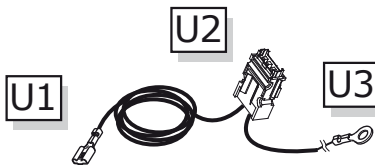
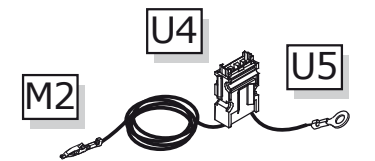
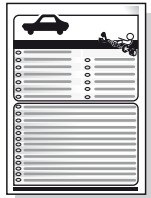
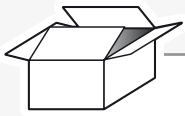
Partnr.: HY-059-DHU



- Fitting instructions electric wiring kit tow bar with 13-P socket up to DIN/ISO Norm 11446.
- We would expressly point out that assembly not carried out properly by a competent installer will result in cancellation of any right to damage compensation, in particular those arising by virtue of the product liability act.
- Contents of these kits and their fitting manuals are subject to alteration without notice, please ensure that these instructions are read and fully understood before commencing installation.
- Do not overload circuits; the maximum loads per connection are detailed in this manual.
- Attention! Before Installation, please read this manual carefully and inform your customer to consult the vehicle owners manual to check for any vehicle modifications required before towing.
- In the event of functional problems, troubleshooting must be limited to about 0.5 hours, contact the technical support:  
[ukts@ecs-electronics.com](mailto:ukts@ecs-electronics.com) / 07440 202 052.

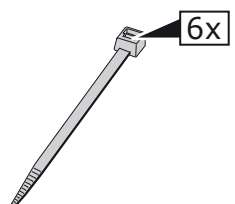
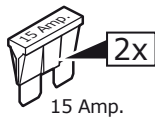
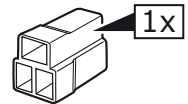
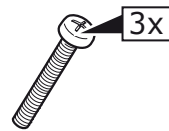
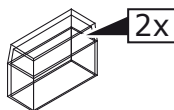


# Part list

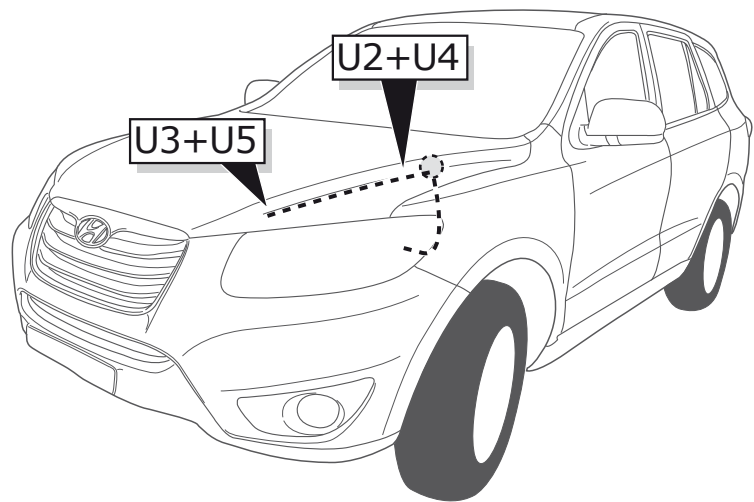
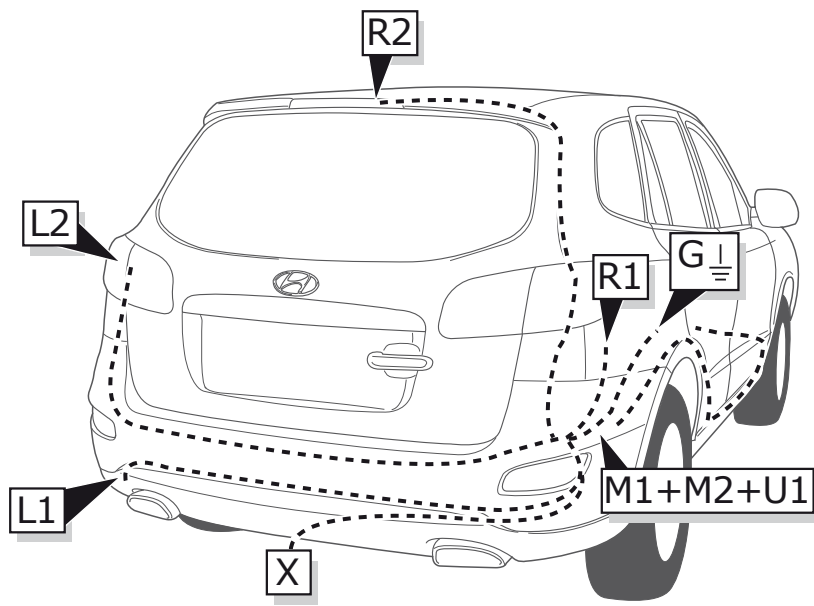


Option! P

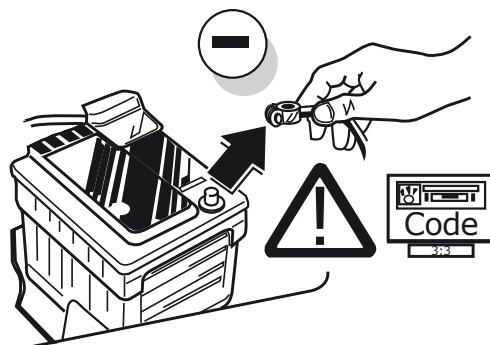
Pag. 12-13



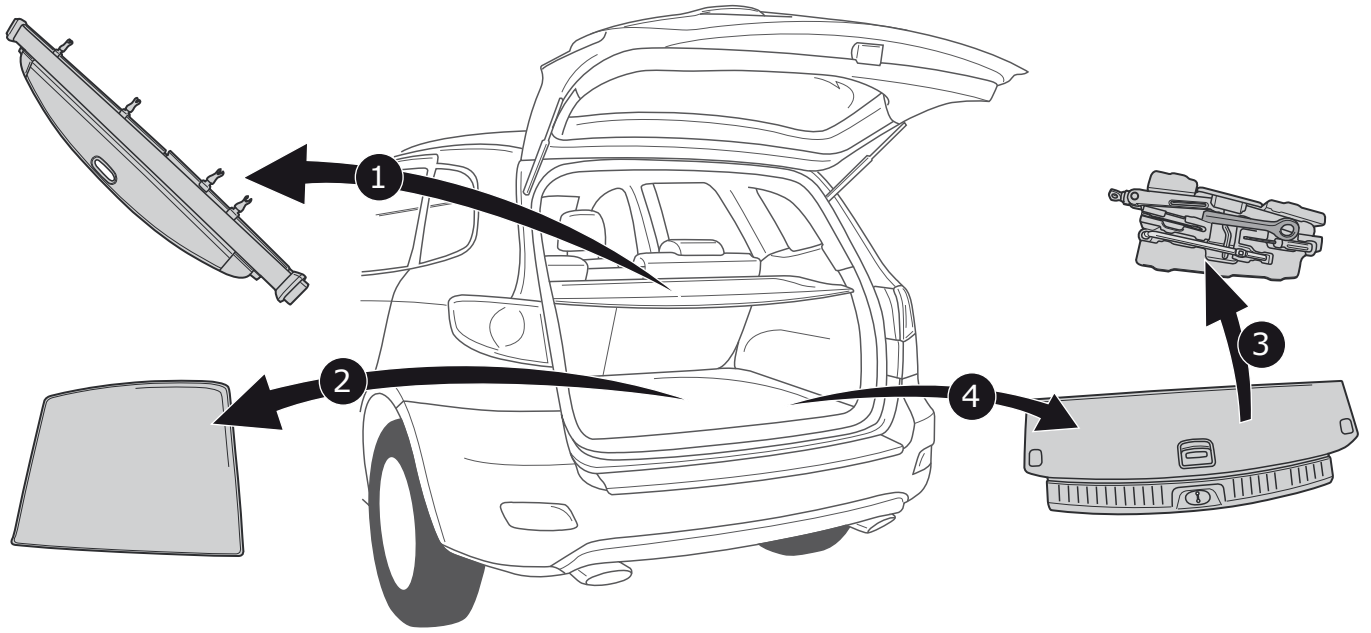
ROUTING



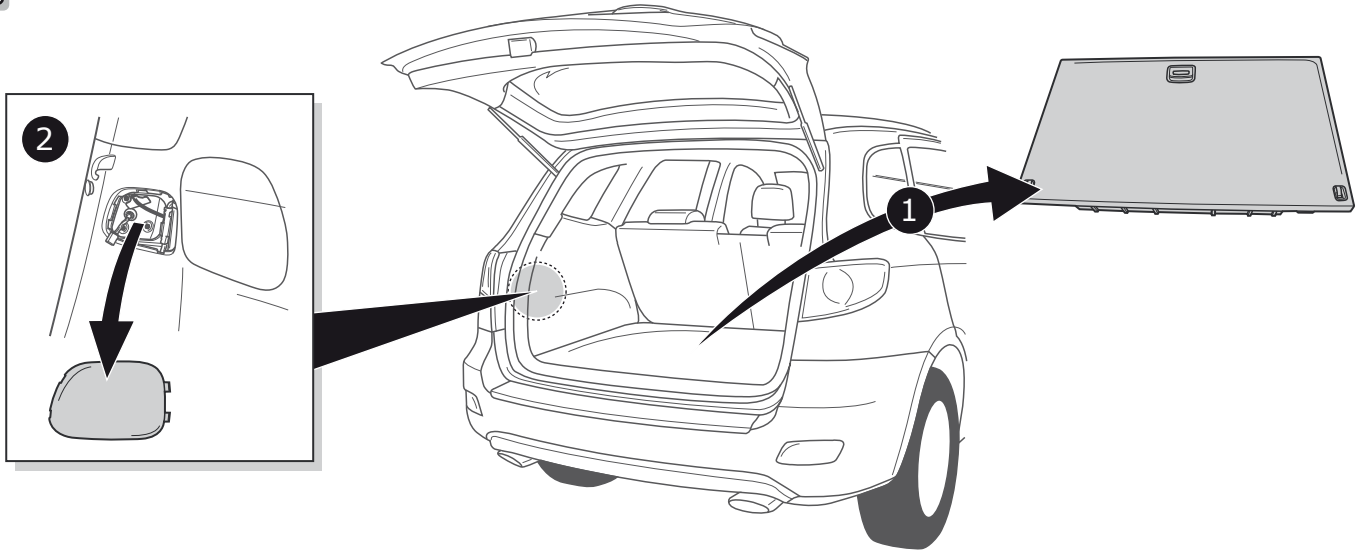
1



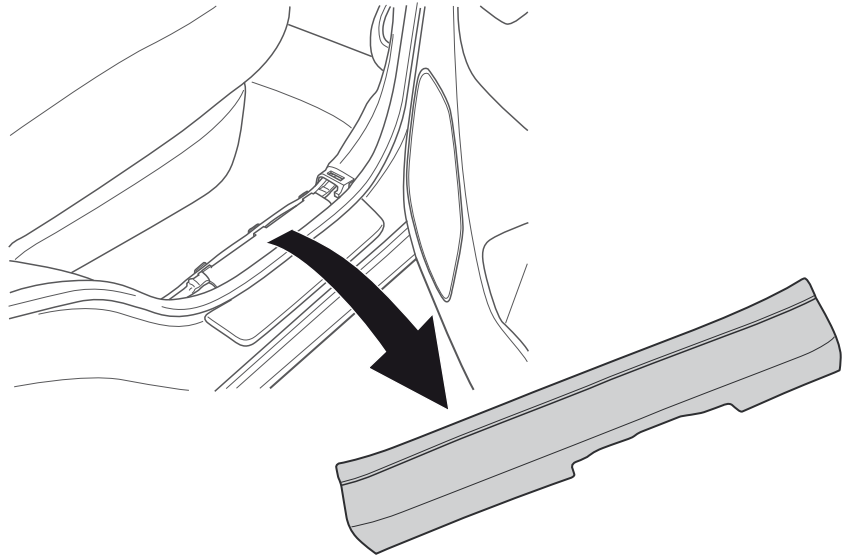
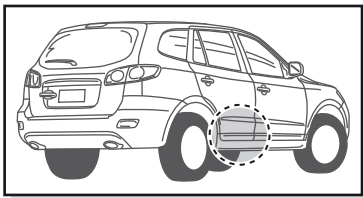
2



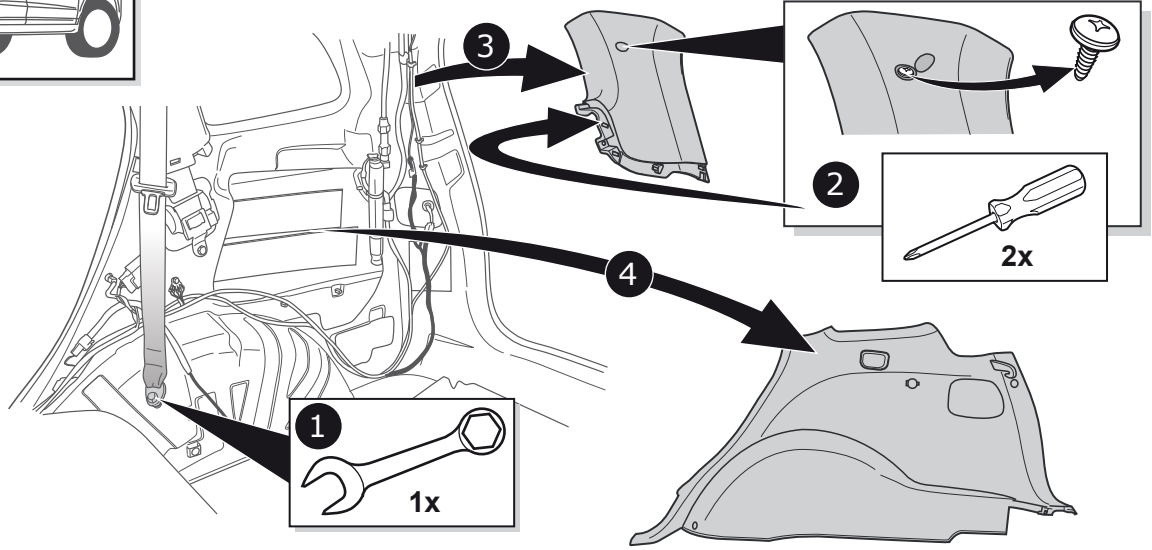
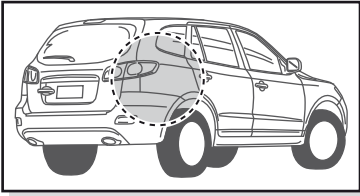
3



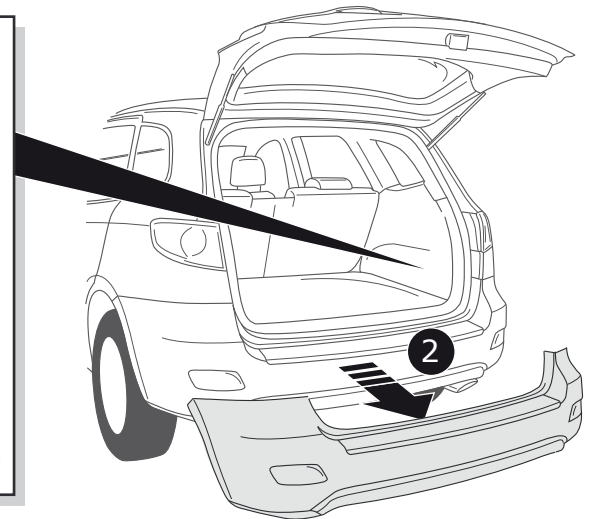
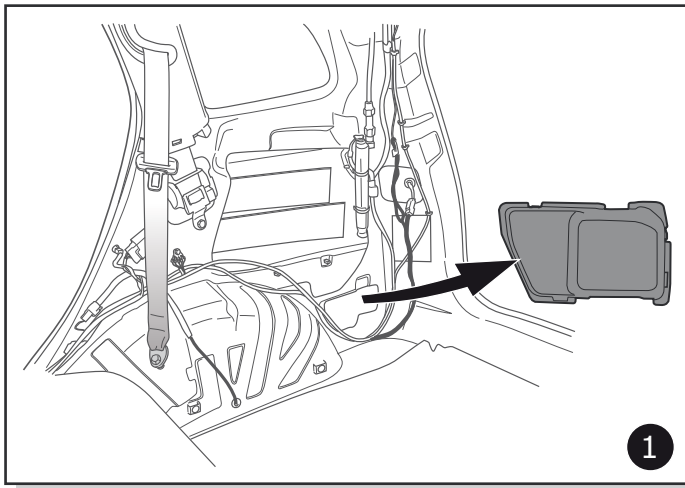
4



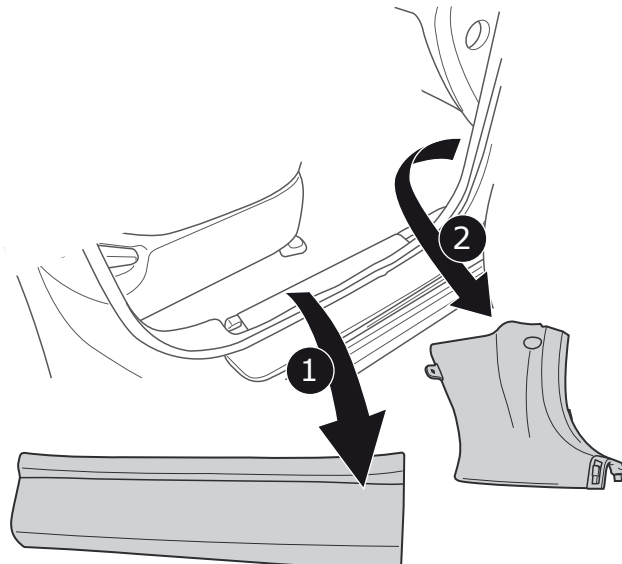
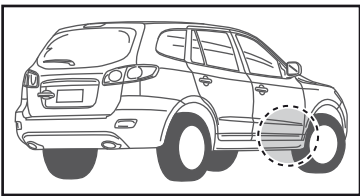
5



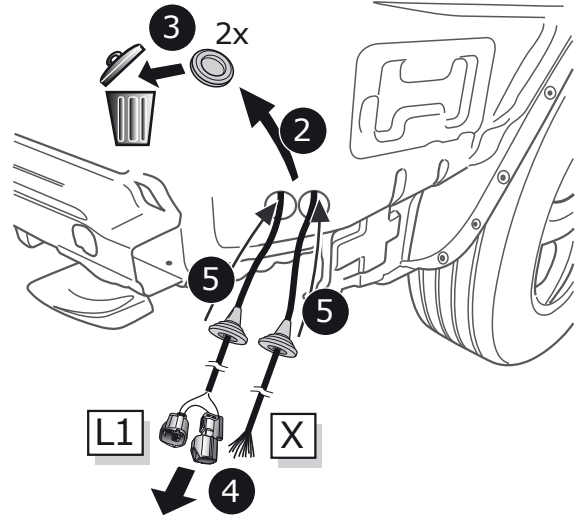
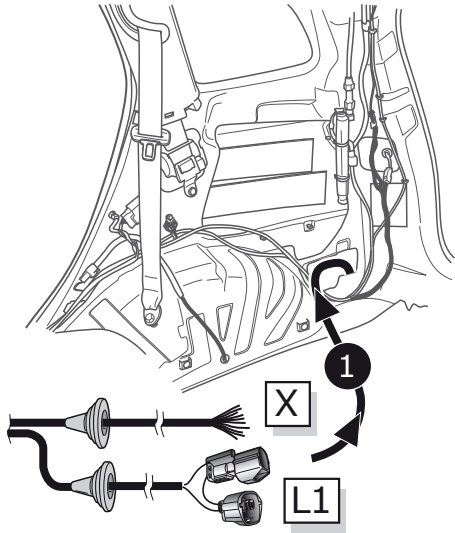
6



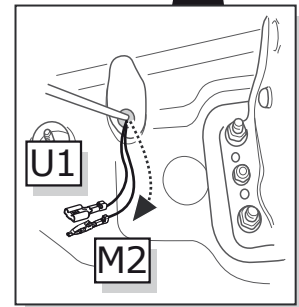
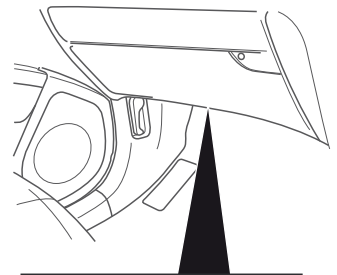
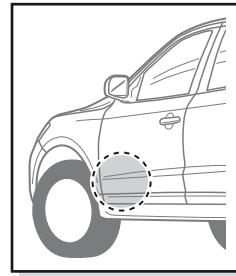
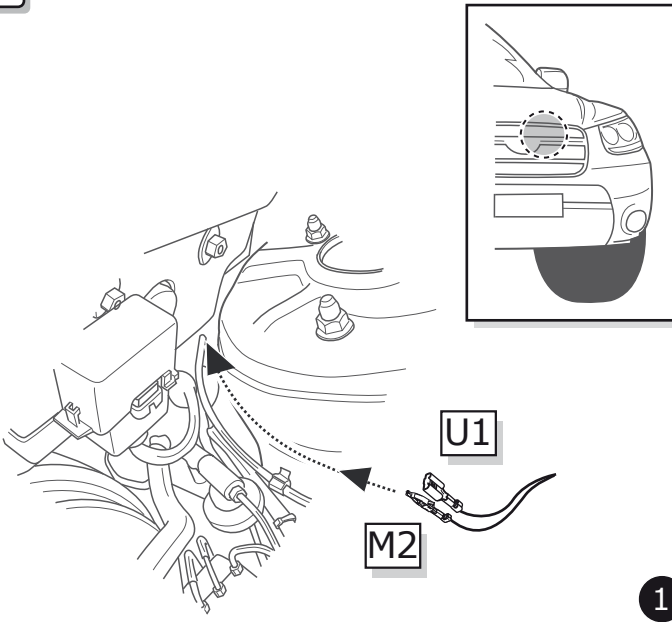
7



8

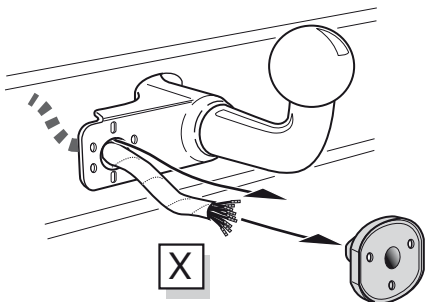


9

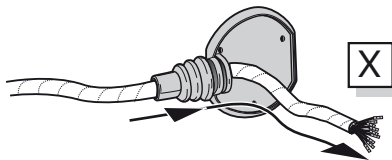


A

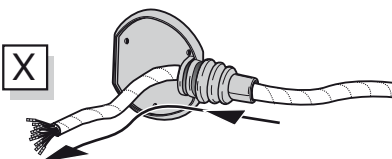
Option 1



Option 2



Option 3

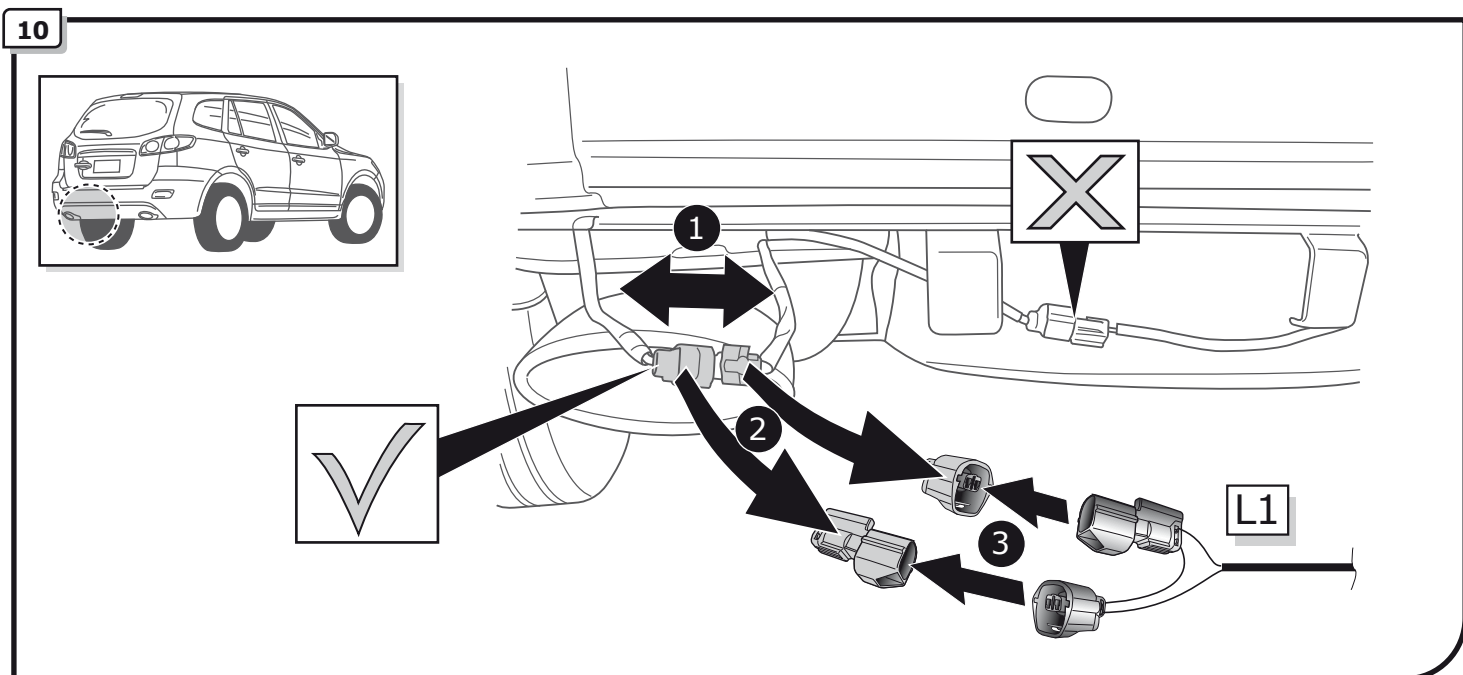
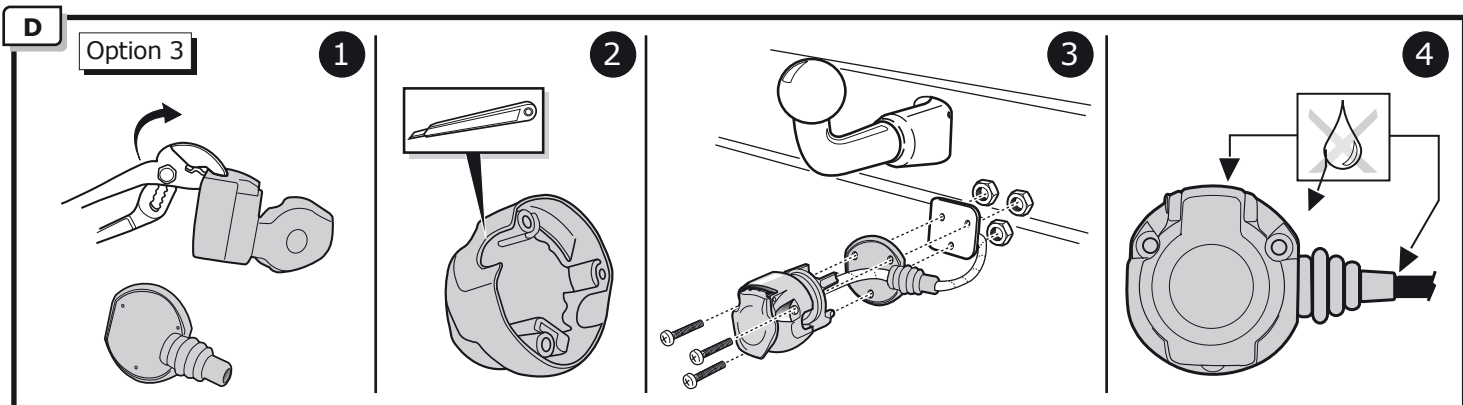
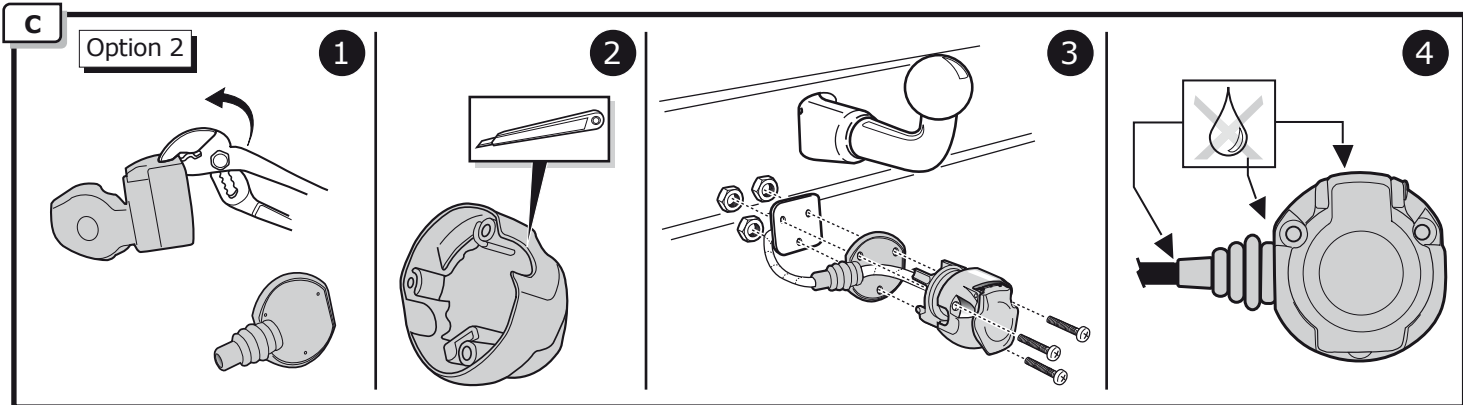
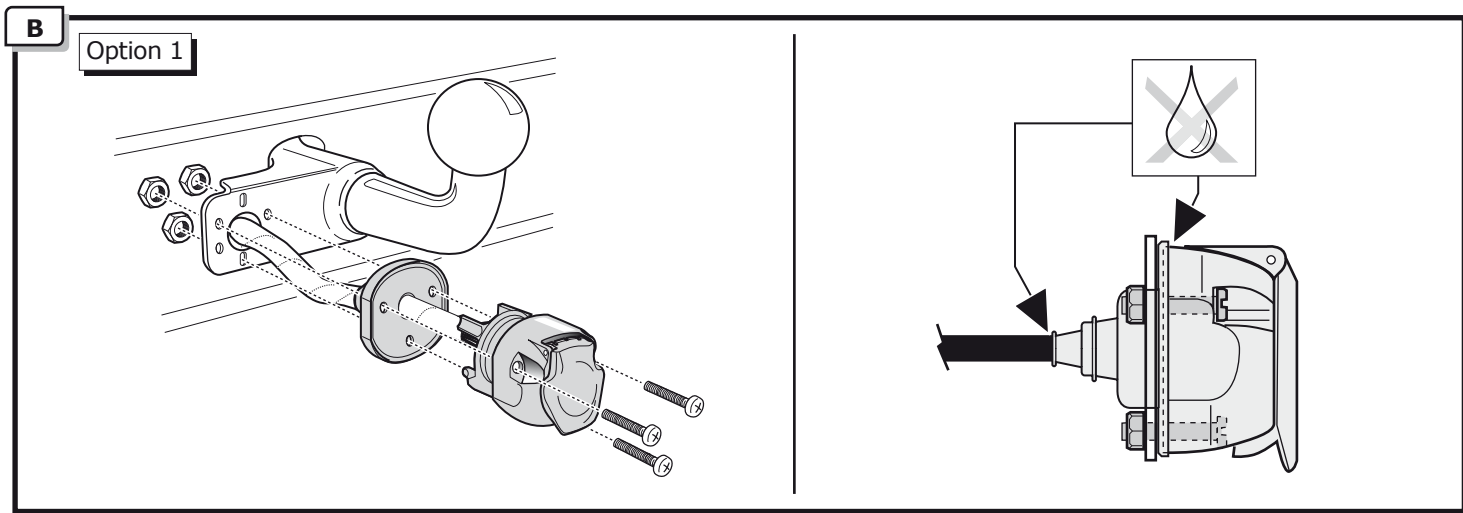


INFO

SOCKET CONNECTION

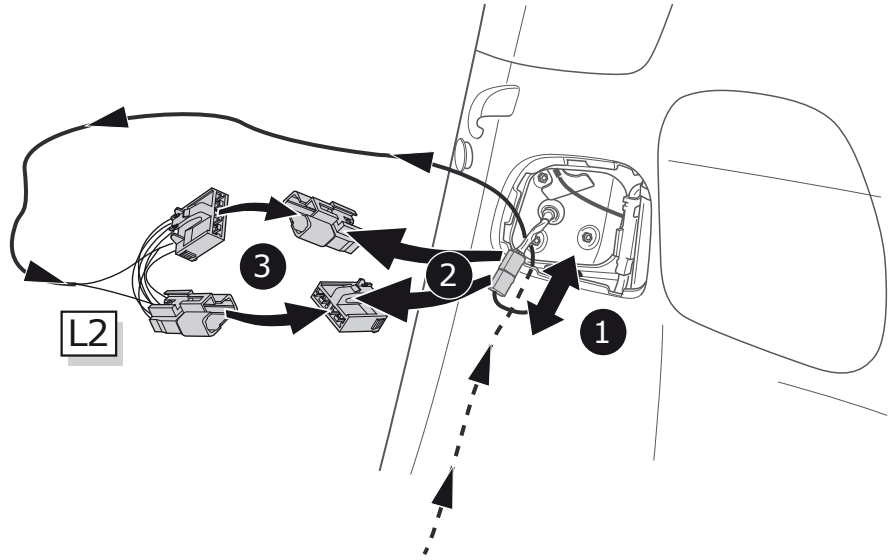
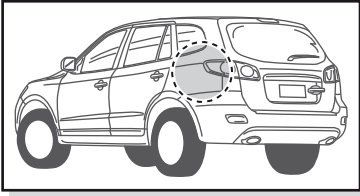


Pag. 11

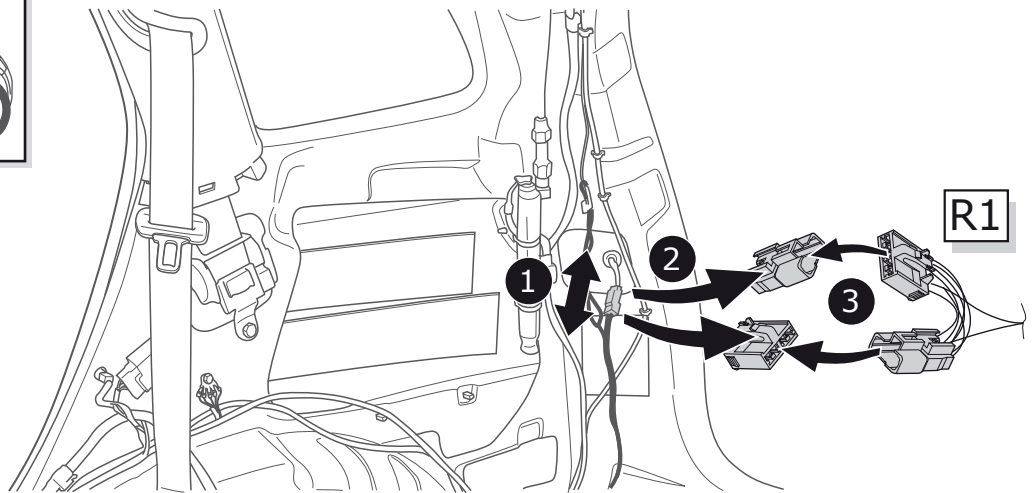
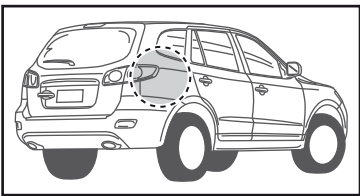




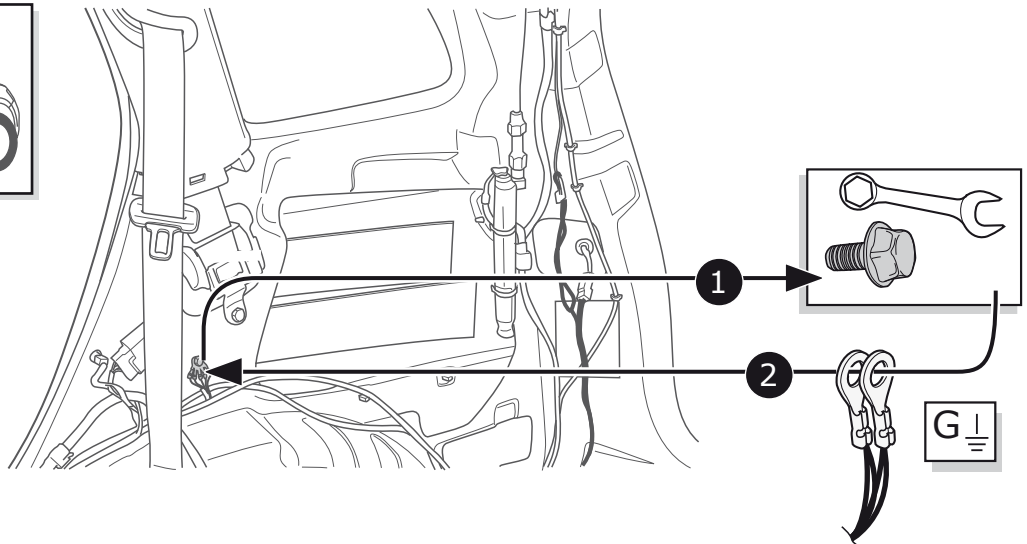
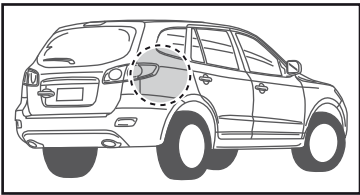
11



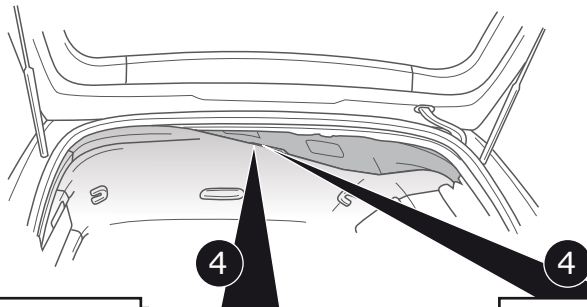
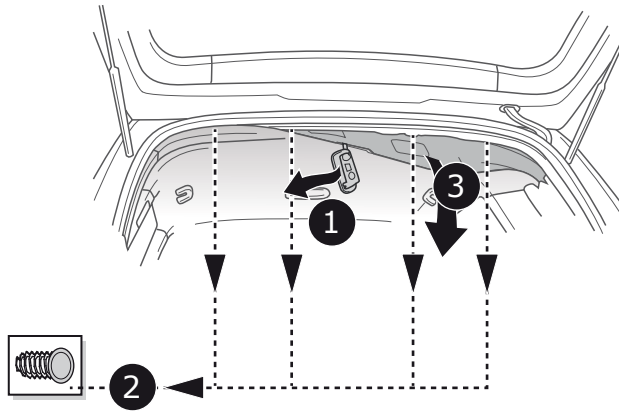
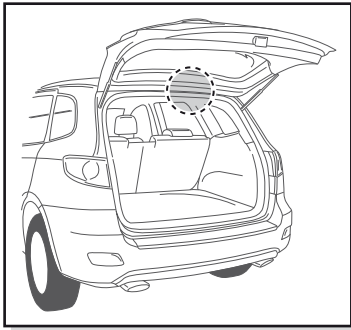
12



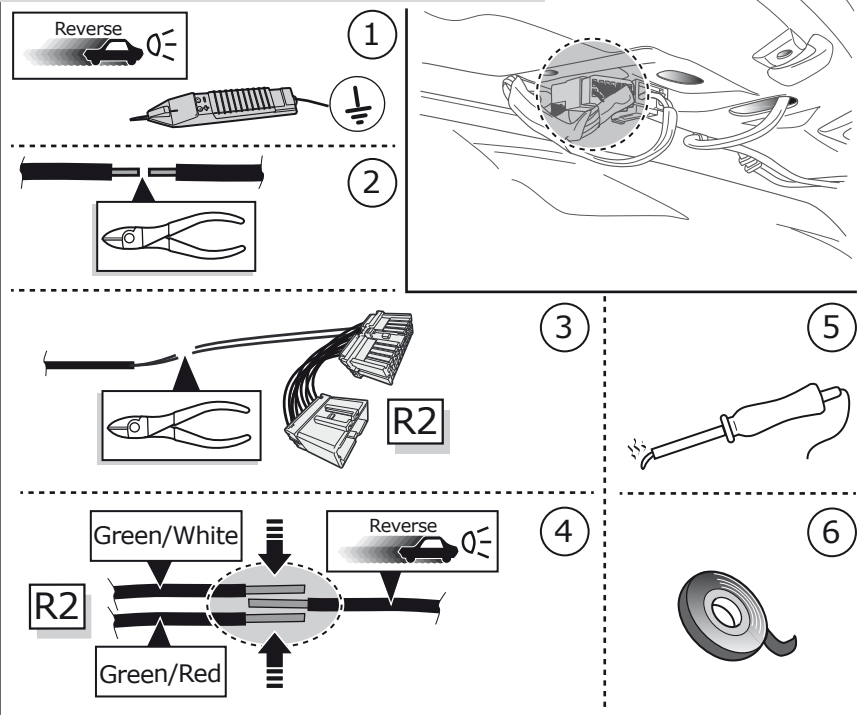
13



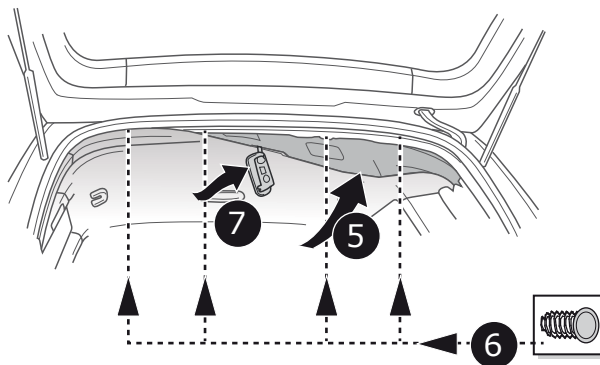
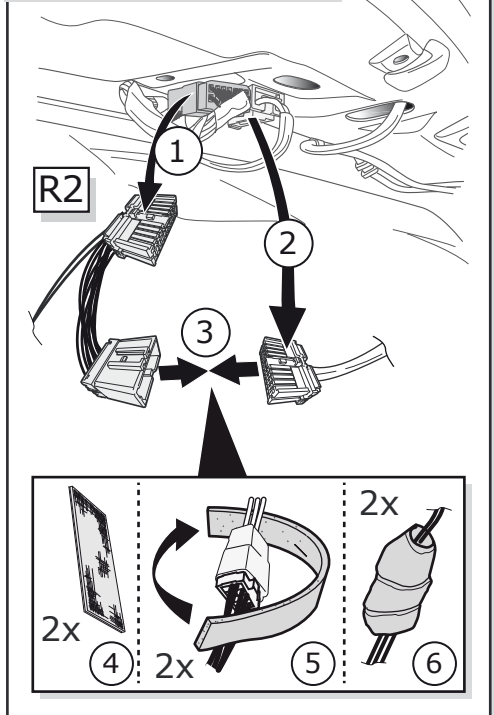


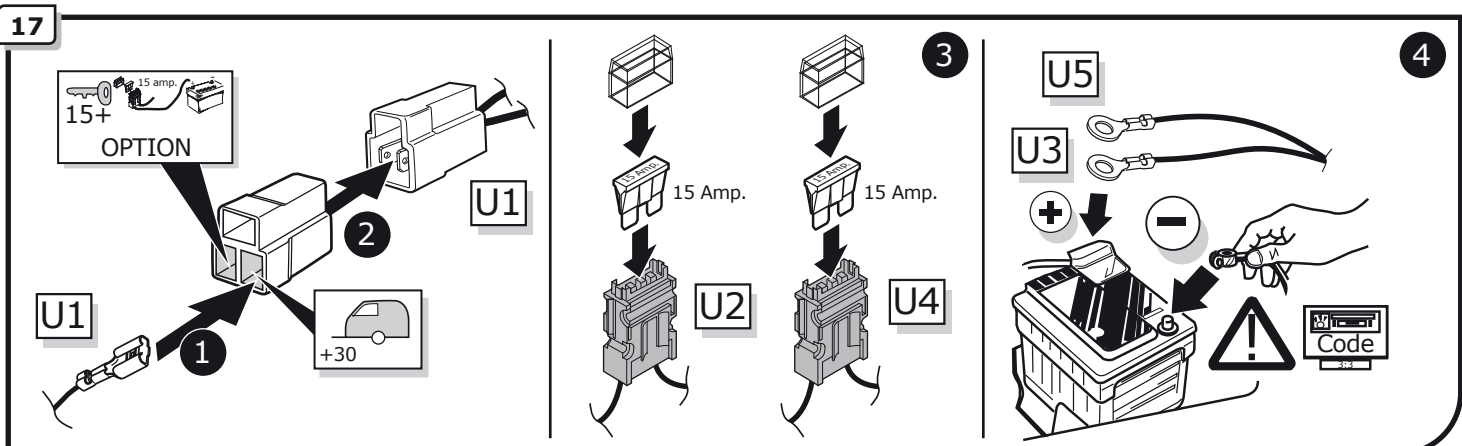
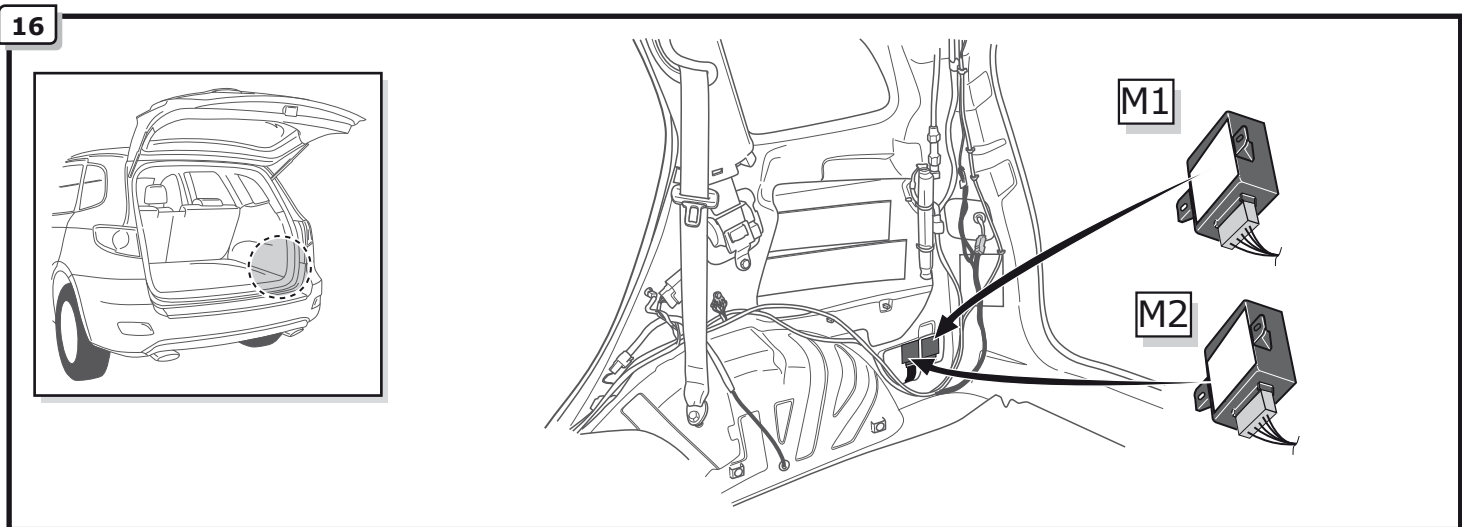
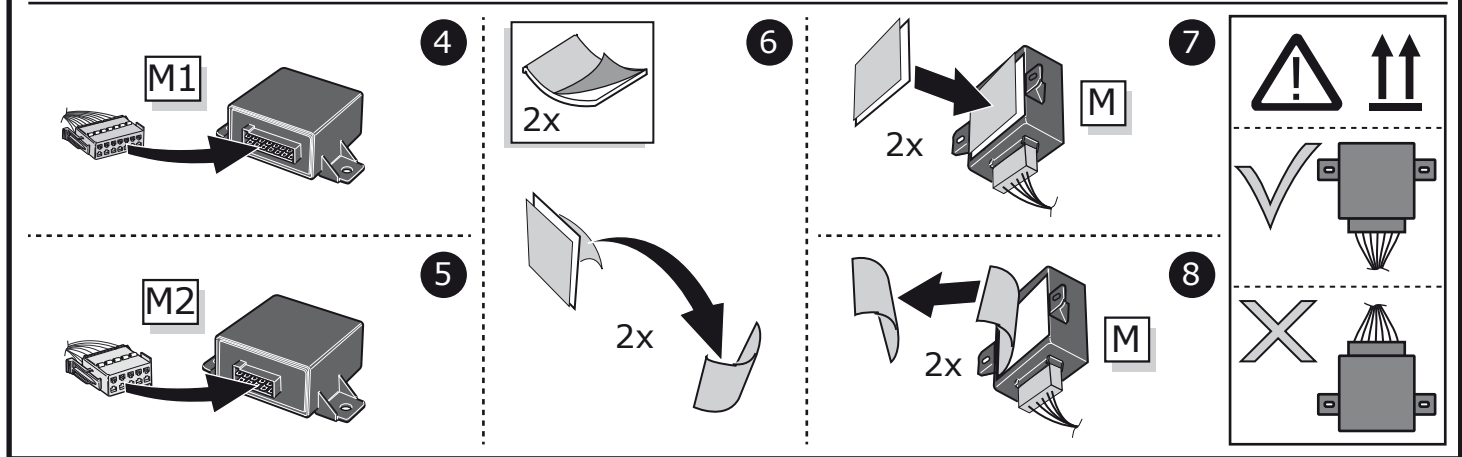
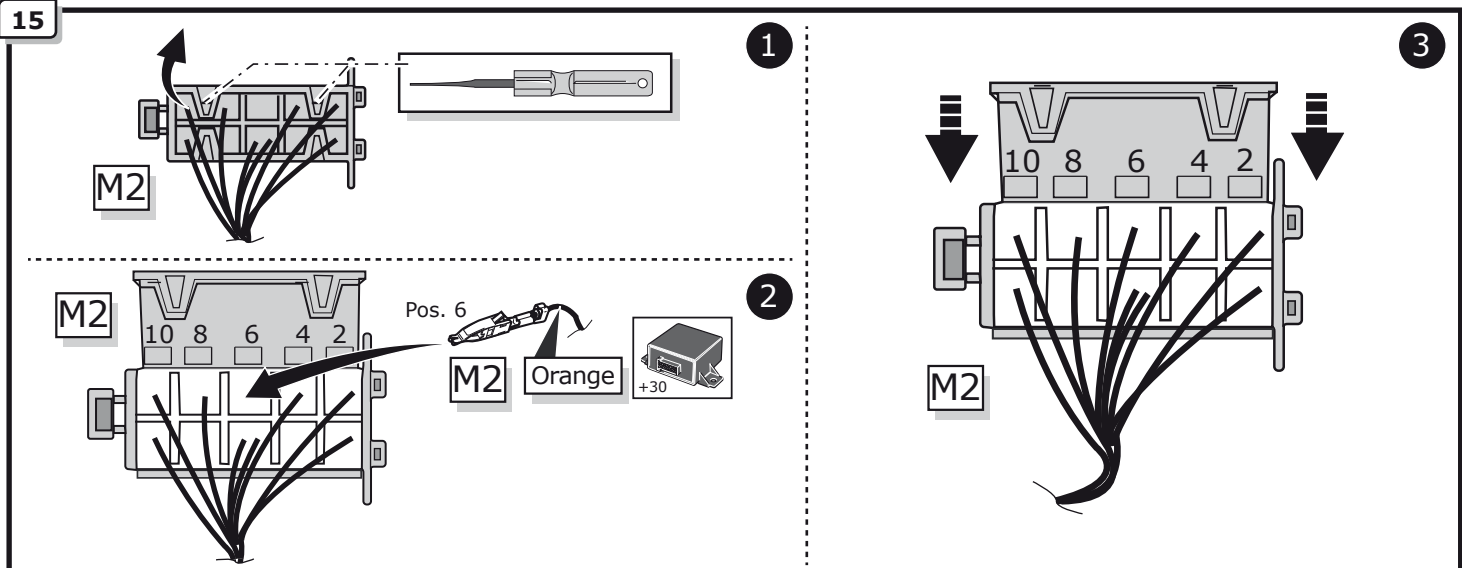


**Santa Fe 2006 - 09/2009**



**Santa Fe 2010-**

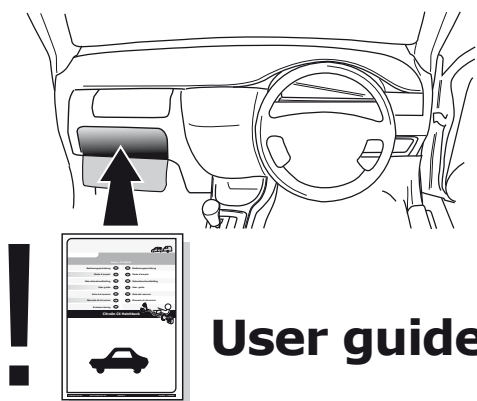




**!** TEST ALL THE CIRCUITS WITH A TEST DEVICE WITH THE CORRECT POWER LOAD FOR EACH FUNCTION. A TEST DEVICE WITH LED'S CANNOT BE USED FOR THIS PURPOSE.

**INFO**

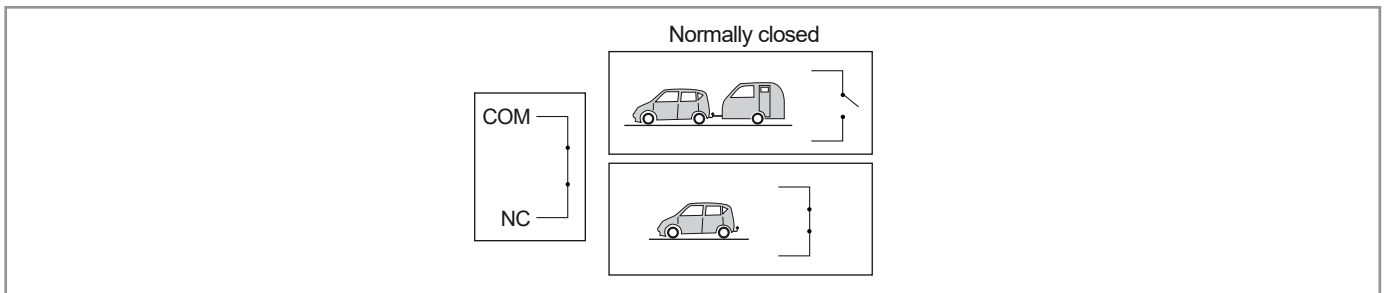
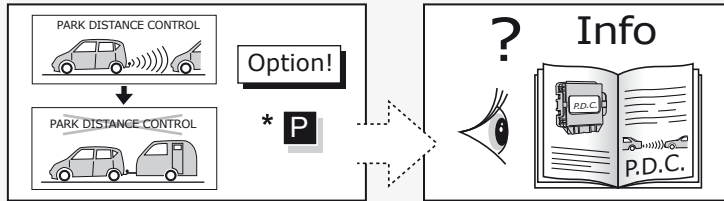
REINSTALL TRIM.



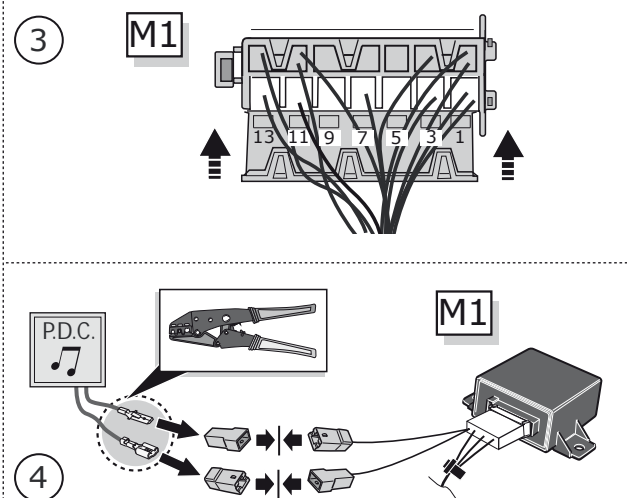
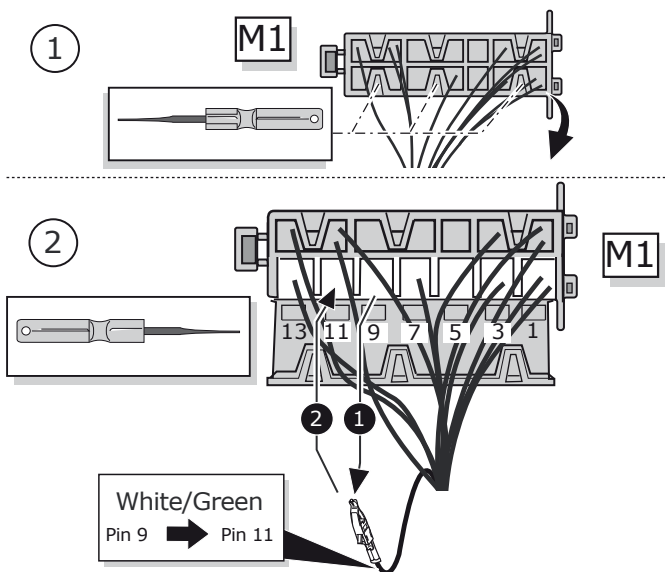
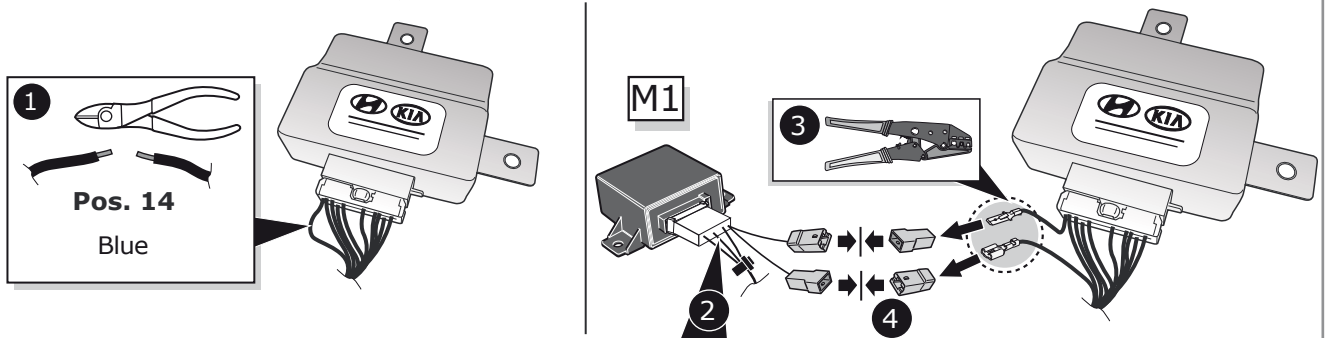
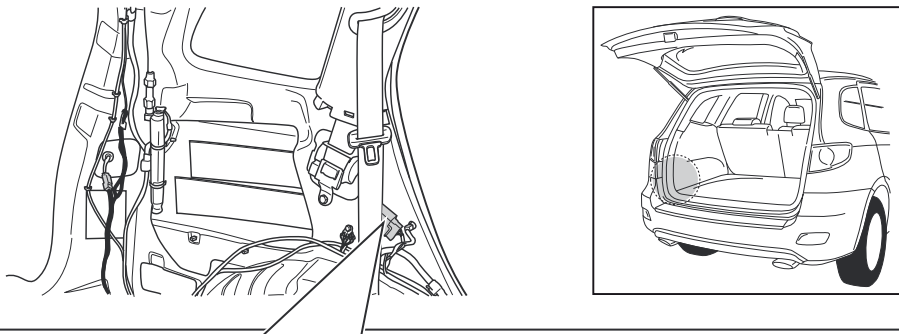
**INFO**

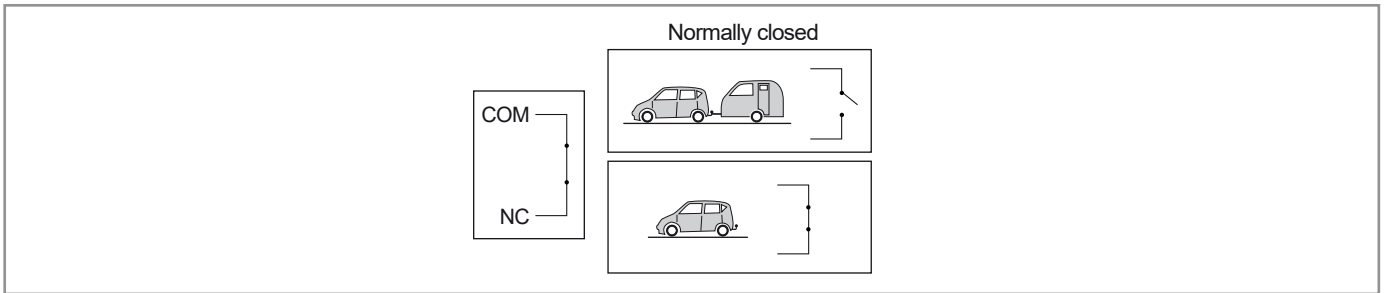
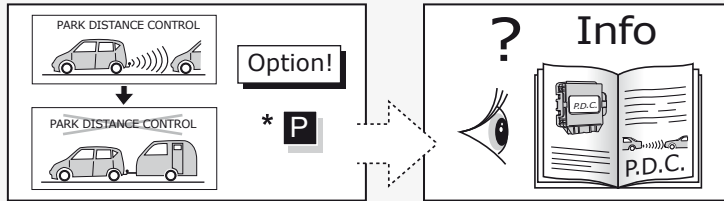
SOCKET CONNECTION

DIV/ISO 11446													
	1/L	2	3/31	4/R	5/58-R	6/54	7/58-L	8	9	10	11	12	13
Pmax	21W	2x21W		21W	52W	3x21W	52W	2x21W	180W/15Amp	180W/15Amp			
Colour	Yellow	Blue	White	Green	Brown	Red 1,00 mm <sup>2</sup>	Black	Black/ Red	Brown/ White	Red 2,50 mm <sup>2</sup>	White	Red/ Blue	White



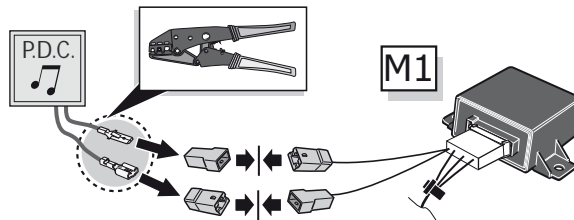
### For OEM installed PDC systems





**Option 1**

**For aftermarket installed PDC systems**



**Option 2**

