

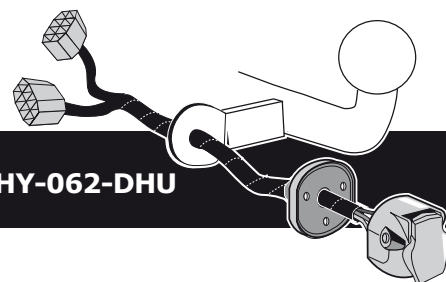
## Hyundai I40

Wagon

Sedan

Facelift 05/2015 >>

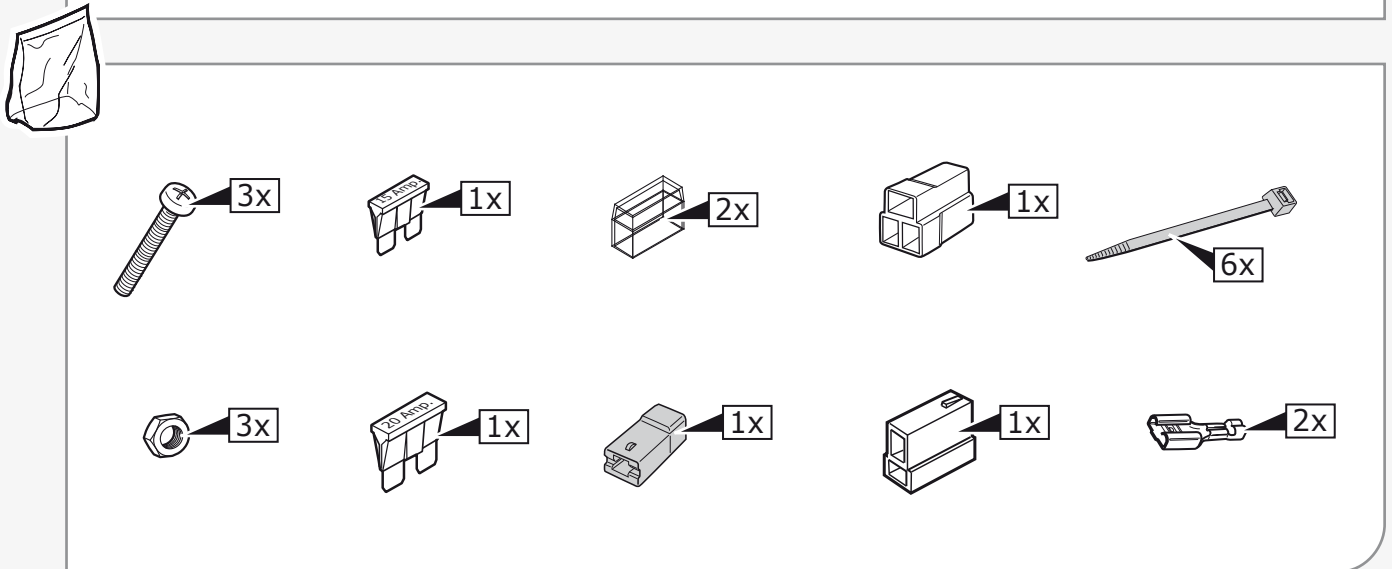
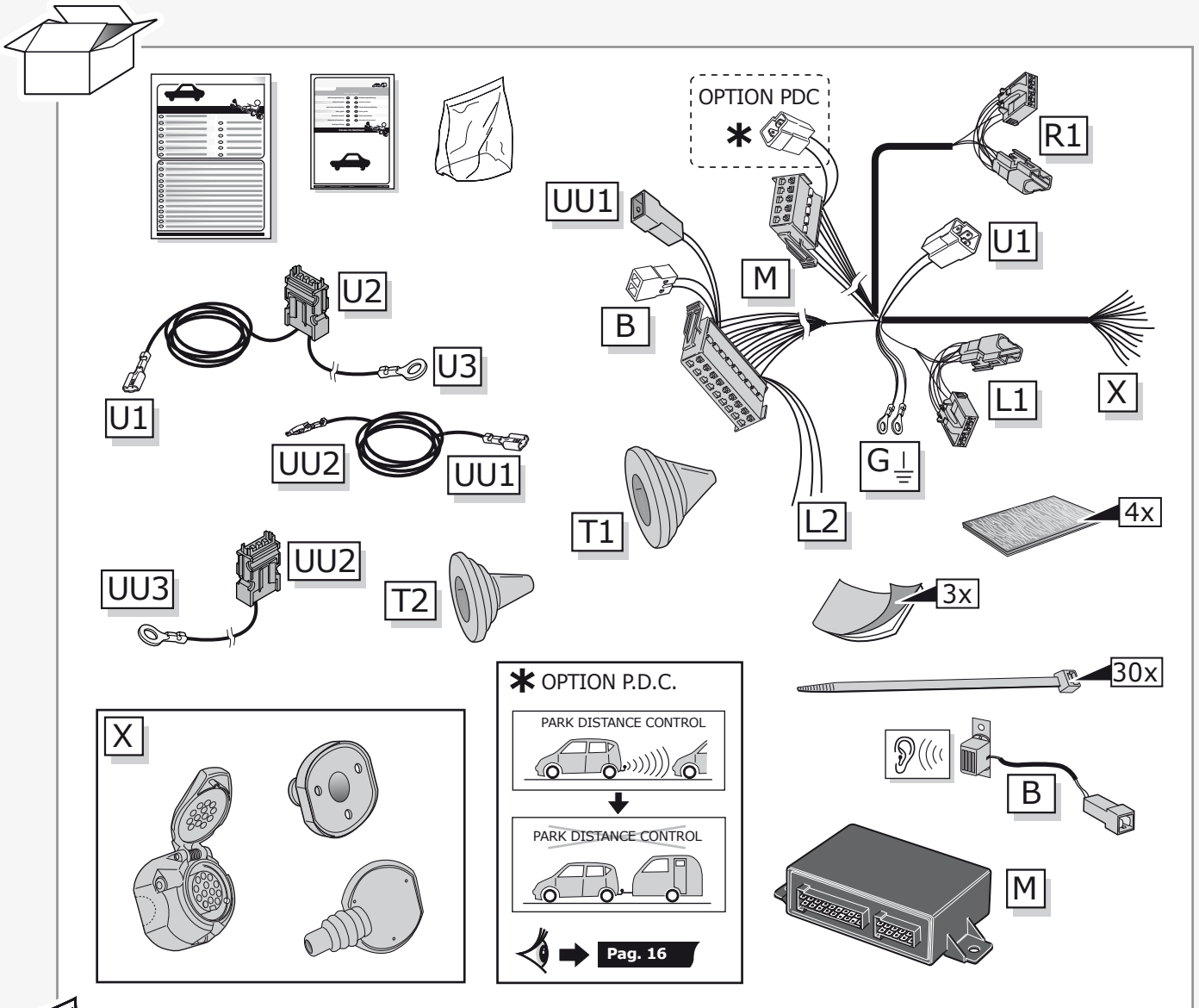
Partnr.: HY-062-DHU



- Fitting instructions electric wiring kit tow bar with 13-P socket up to DIN/ISO Norm 11446.
- We would expressly point out that assembly not carried out properly by a competent installer will result in cancellation of any right to damage compensation, in particular those arising by virtue of the product liability act.
- Contents of these kits and their fitting manuals are subject to alteration without notice, please ensure that these instructions are read and fully understood before commencing installation.
- Do not overload circuits; the maximum loads per connection are detailed in this manual.
- Attention! Before Installation, please read this manual carefully and inform your customer to consult the vehicle owners manual to check for any vehicle modifications required before towing.
- In the event of functional problems, troubleshooting must be limited to about 0.5 hours, contact the technical support:  
[ukts@ecs-electronics.com](mailto:ukts@ecs-electronics.com) / 07440 202 052.

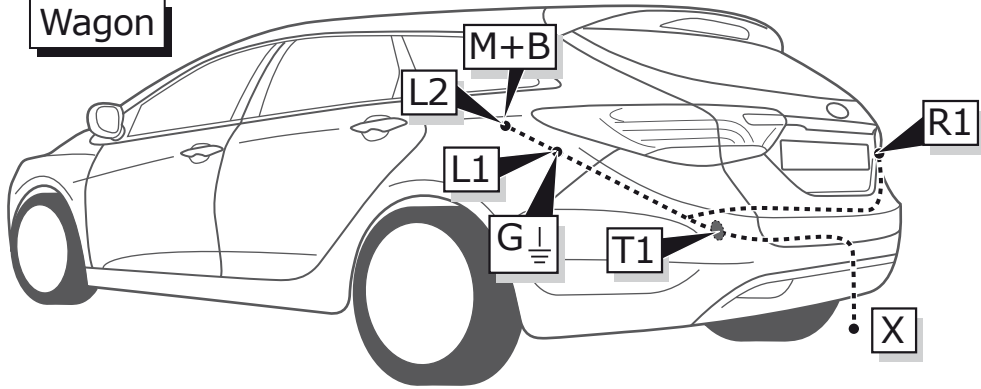


# Part list

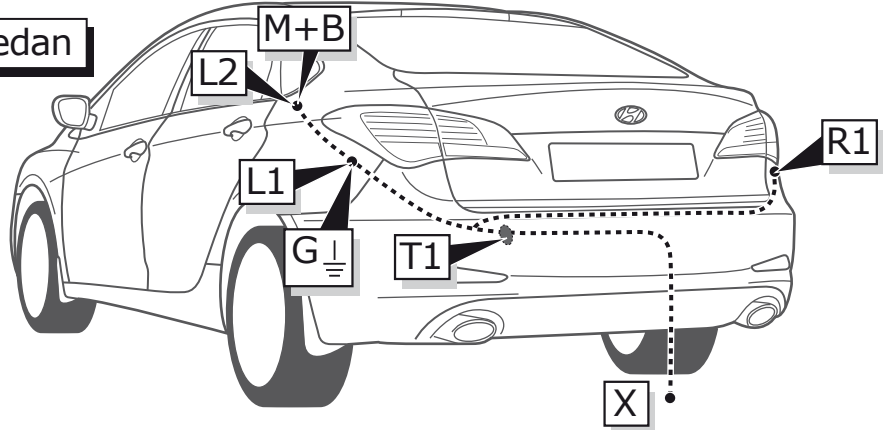


**ROUTING**

**Wagon**

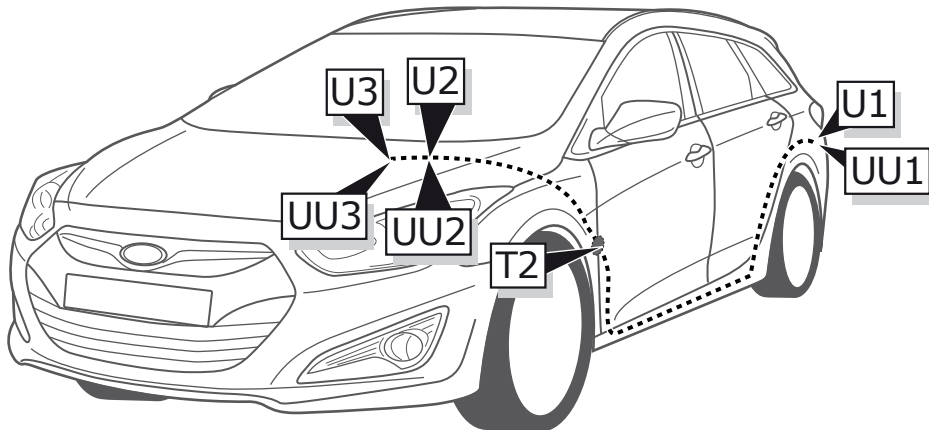


**Sedan**

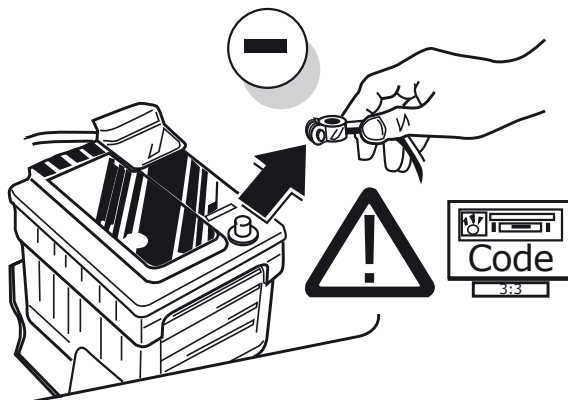


**Wagon**

**Sedan**

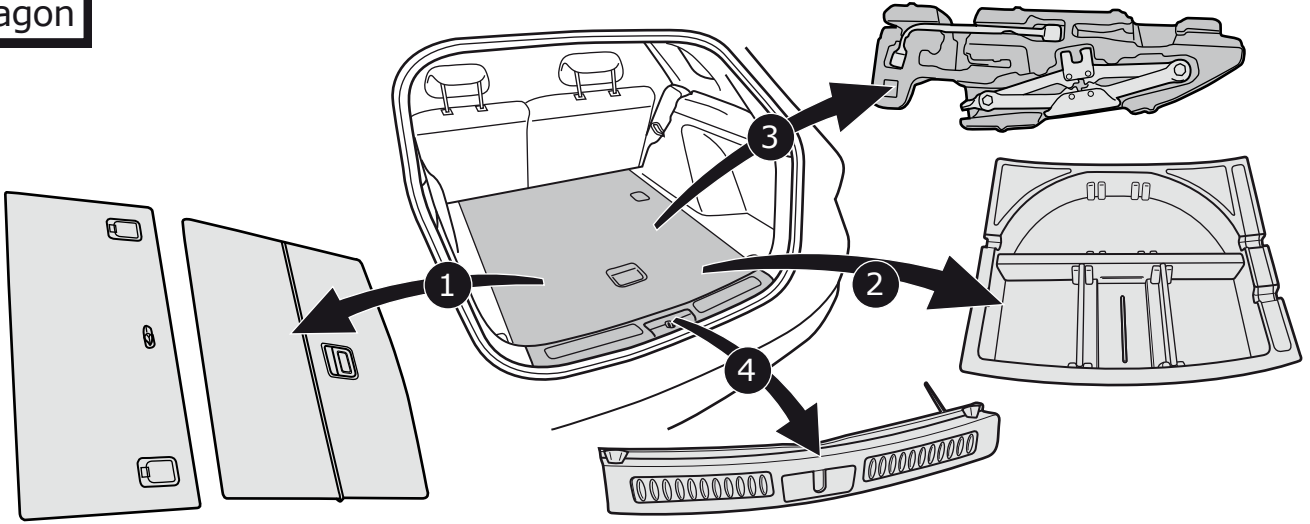


**1**



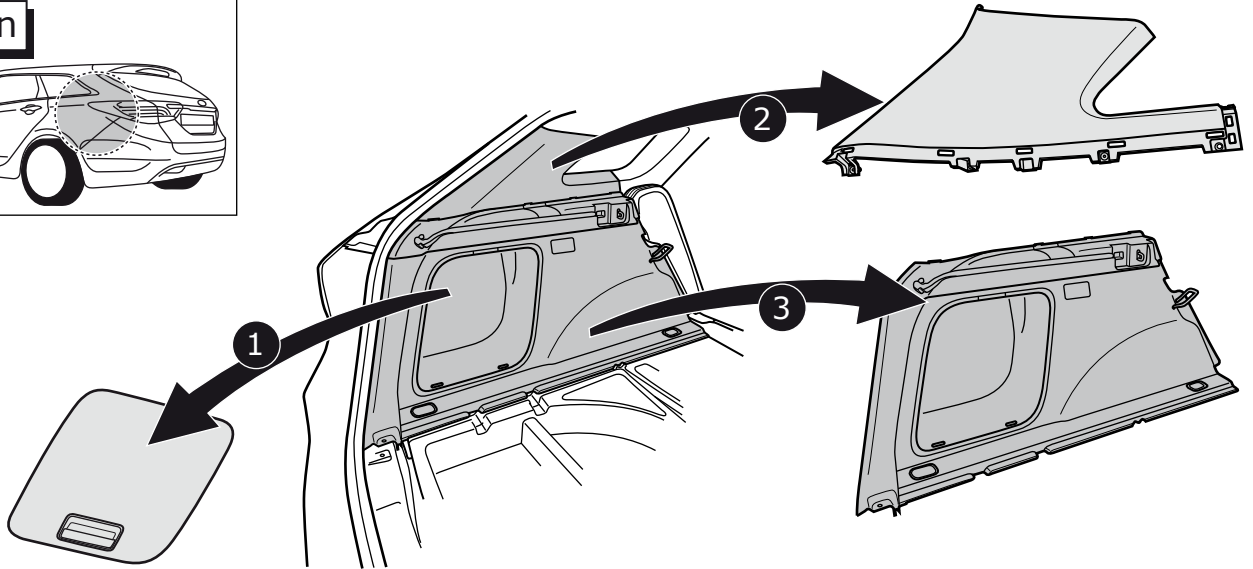
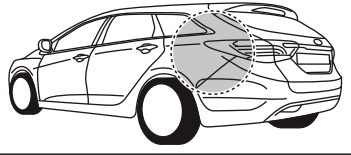
2

Wagon



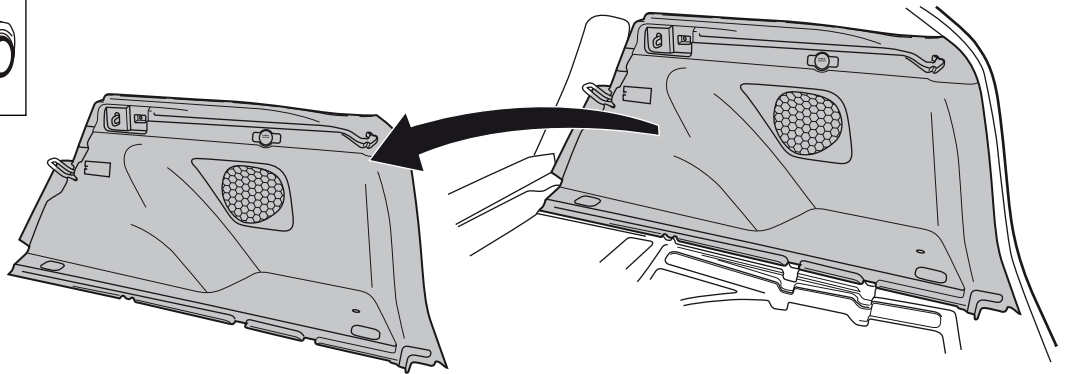
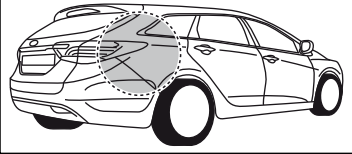
3

Wagon



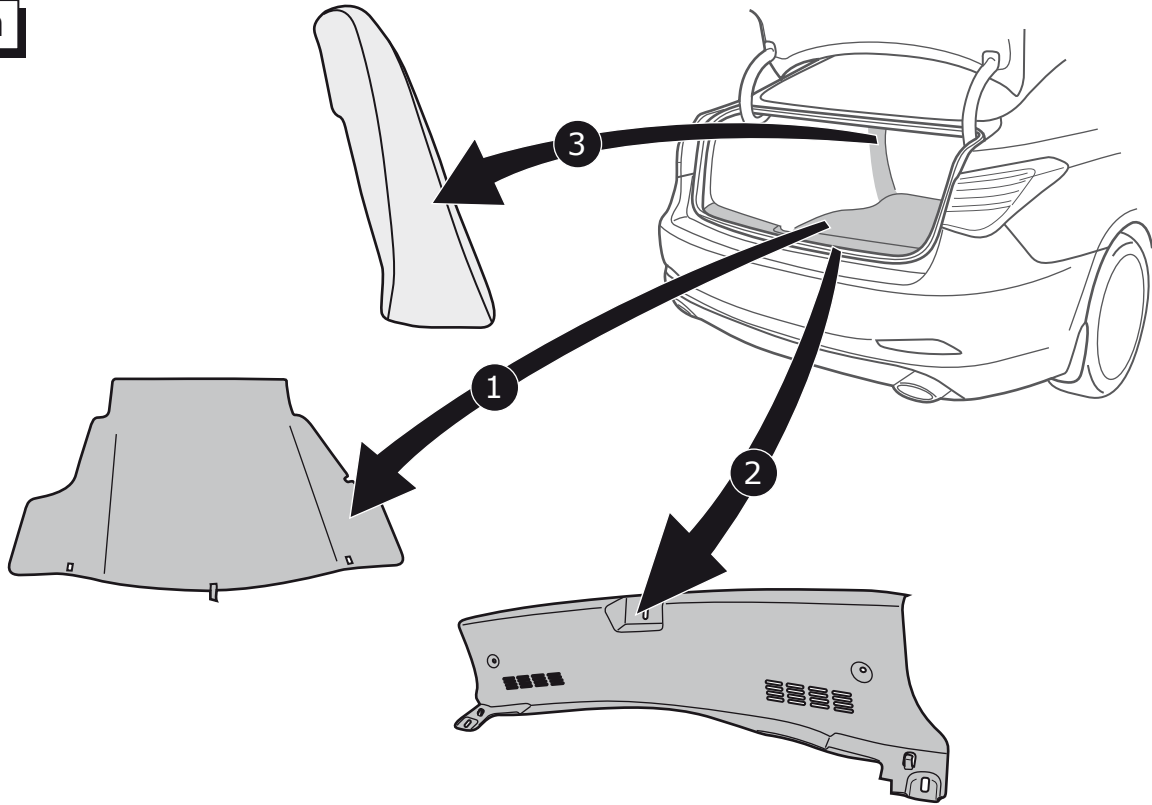
4

Wagon



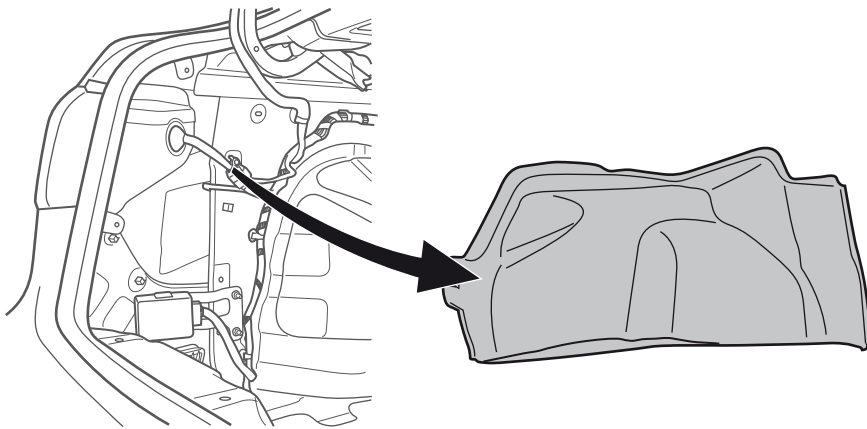
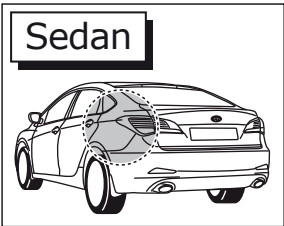
5

Sedan



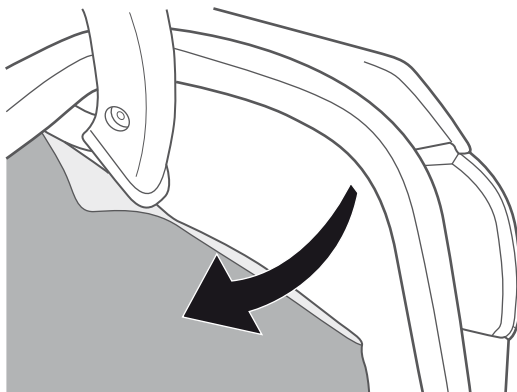
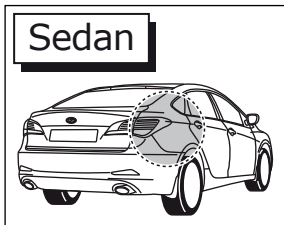
6

Sedan

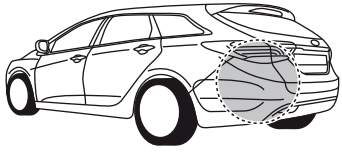


7

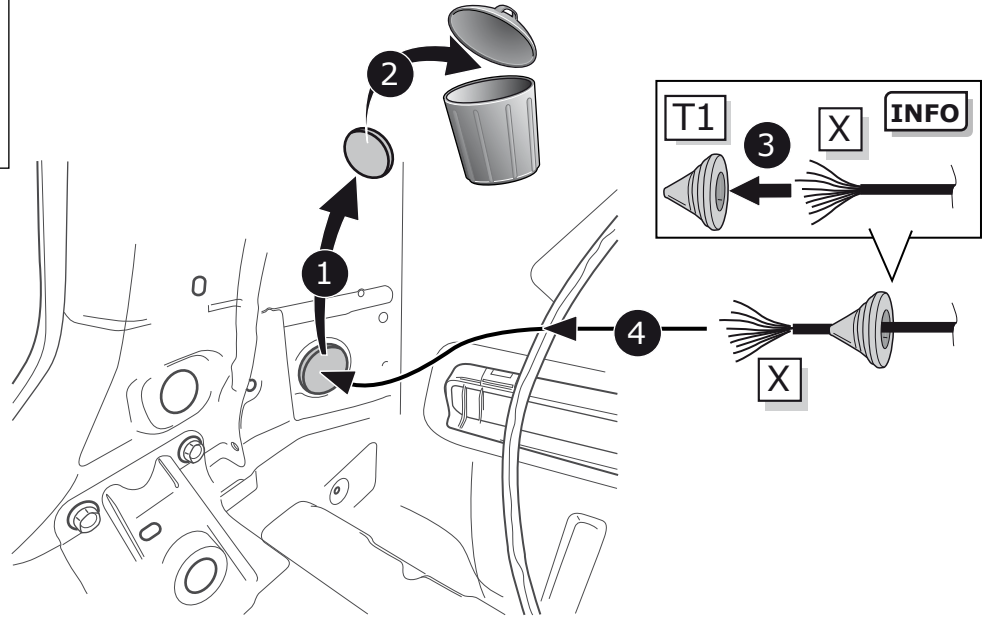
Sedan



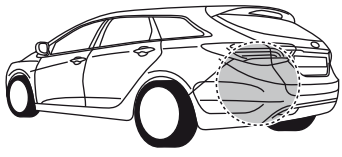
Wagon+Sedan



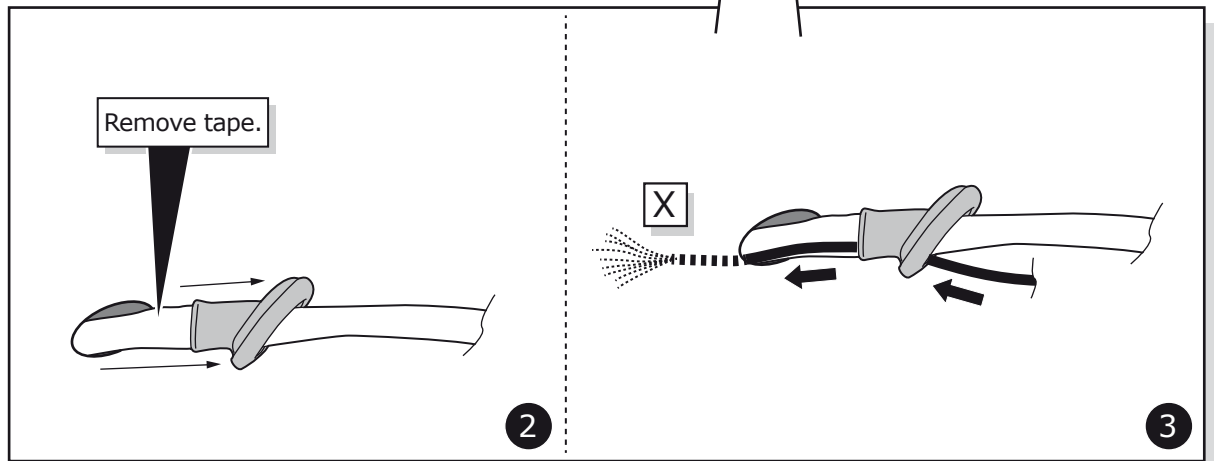
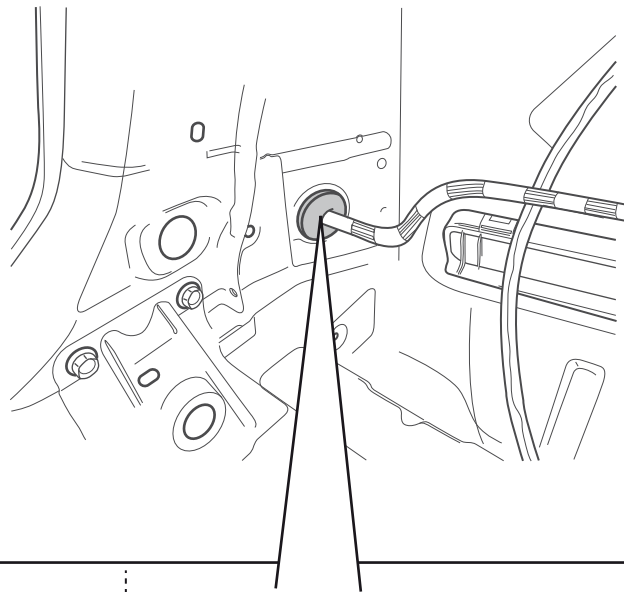
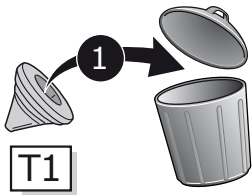
Option 1



Wagon+Sedan

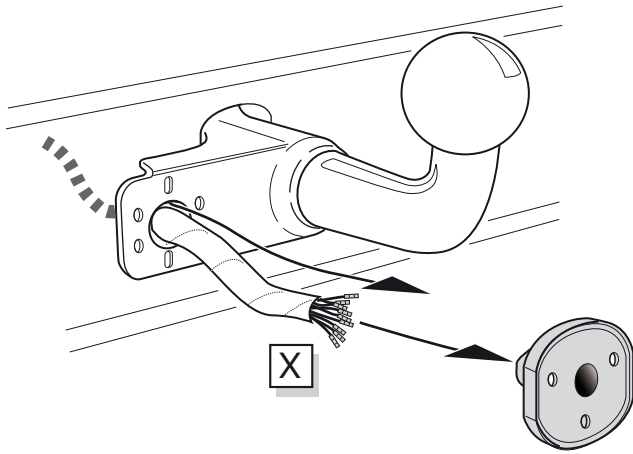


Option 2

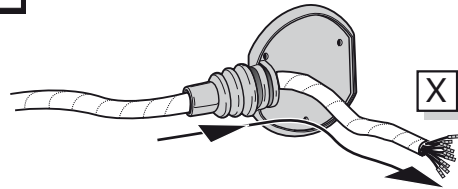


**A**

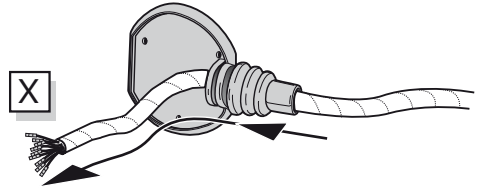
Option 1



Option 2



Option 3



**INFO**

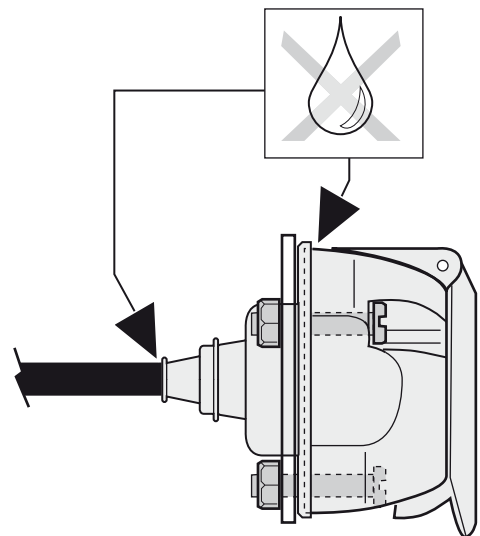
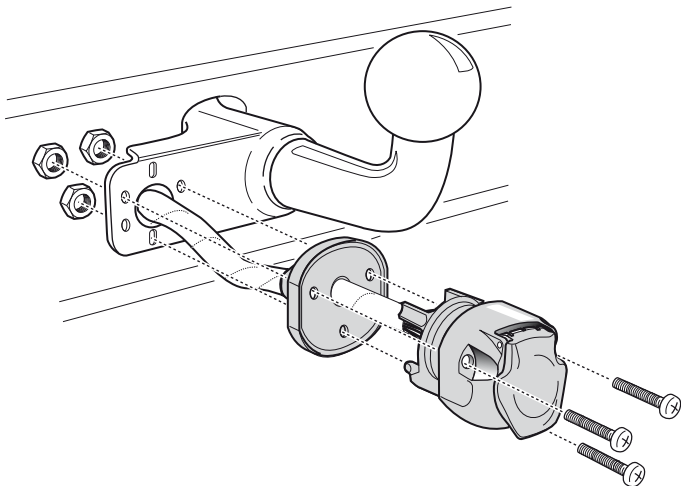
SOCKET CONNECTION

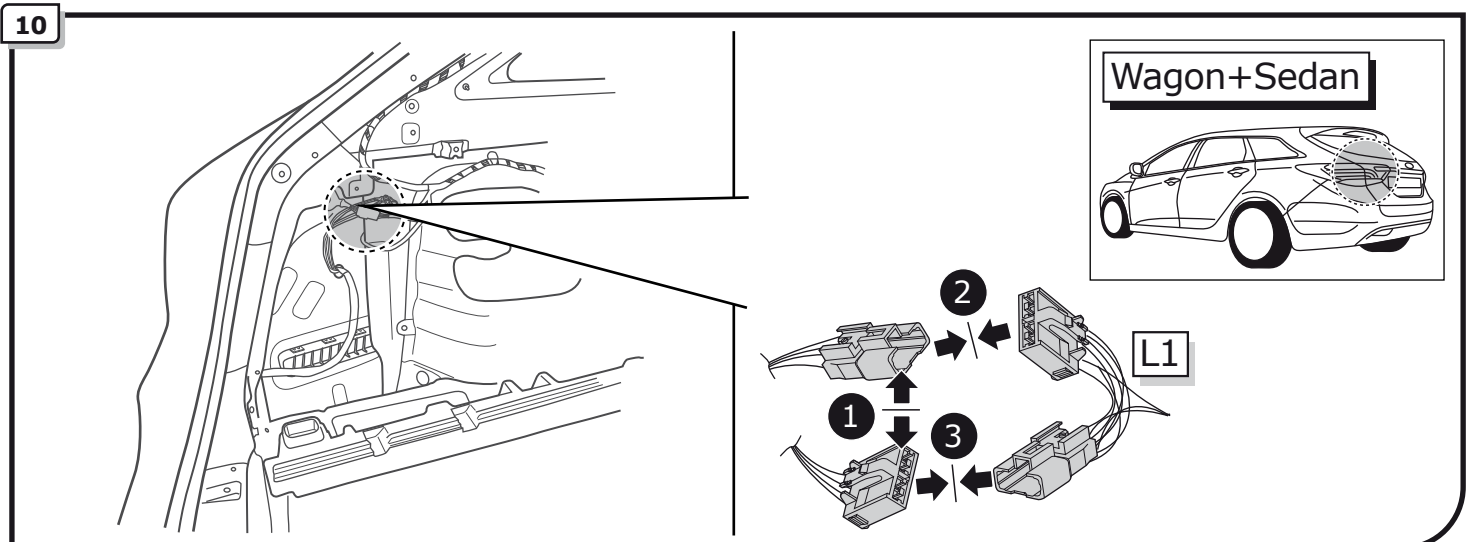
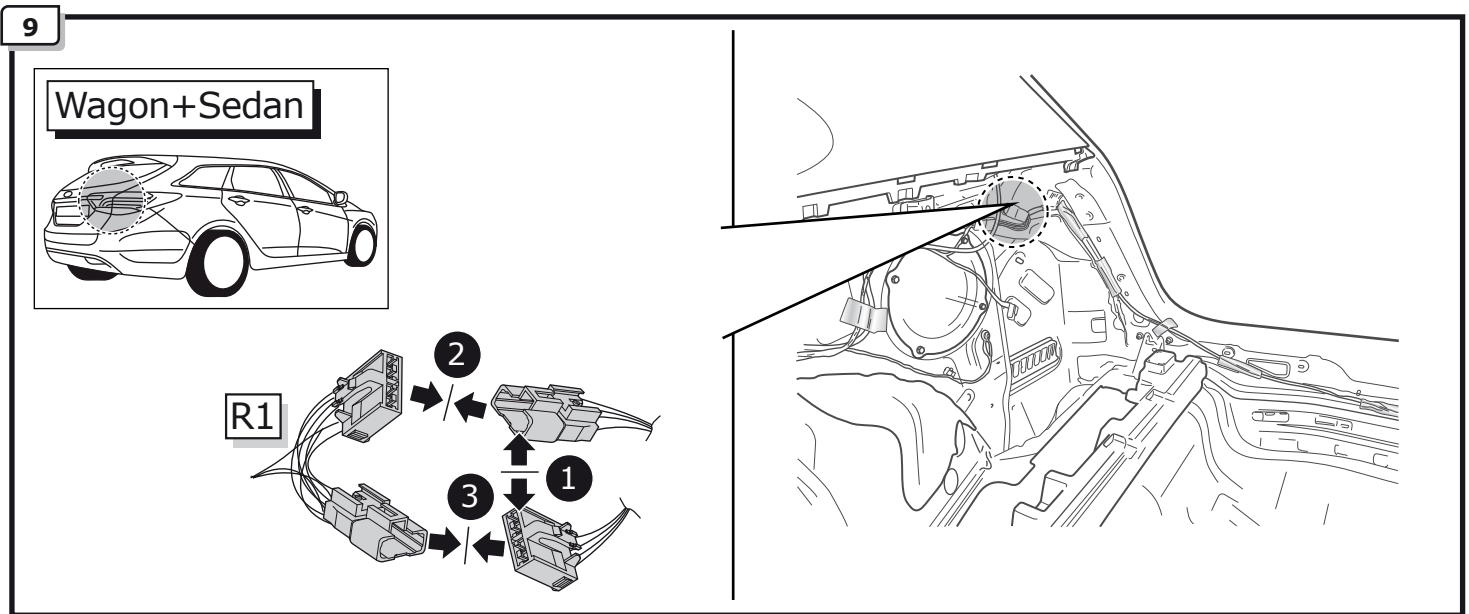
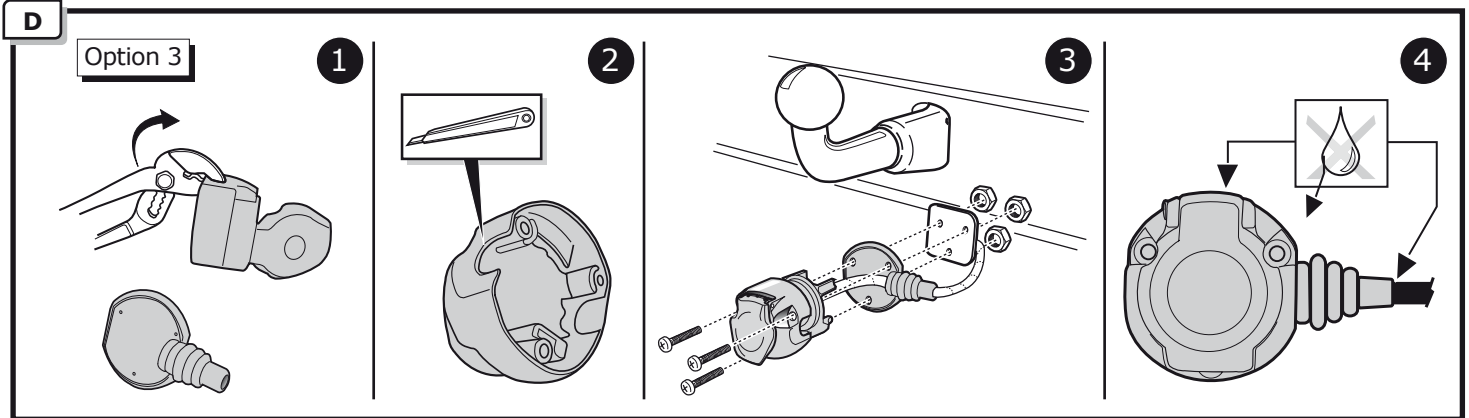
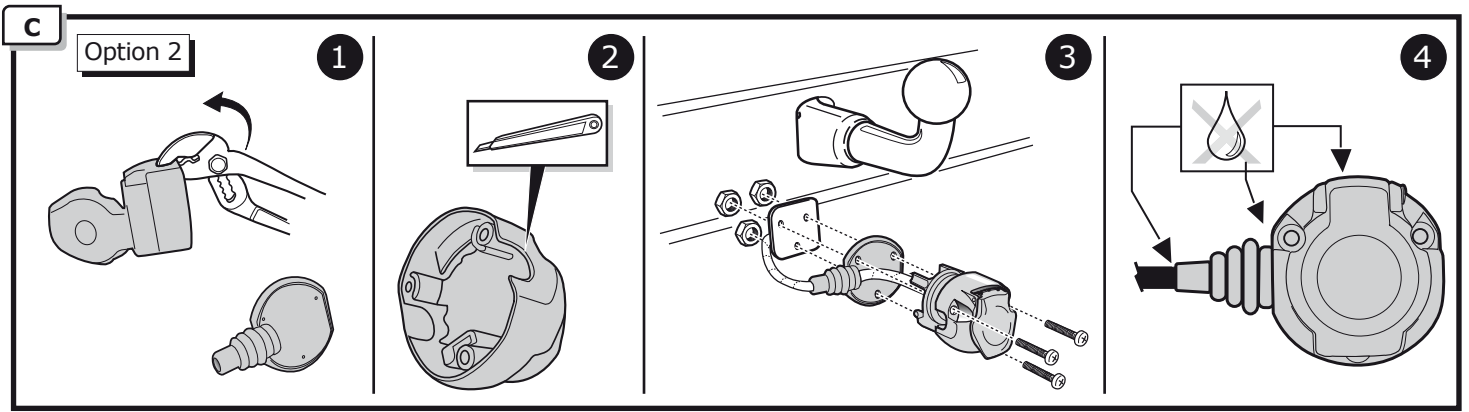


Pag. 15

**B**

Option 1

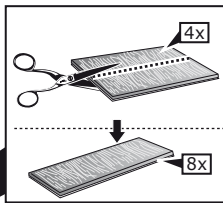
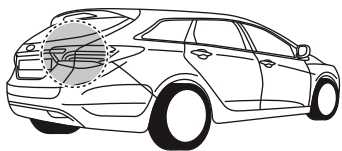




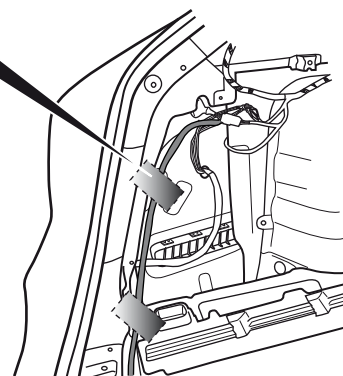
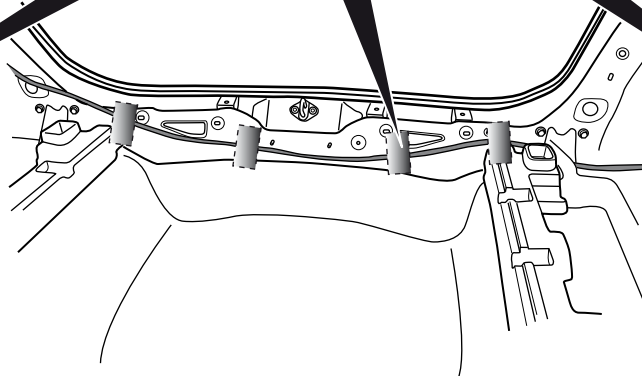
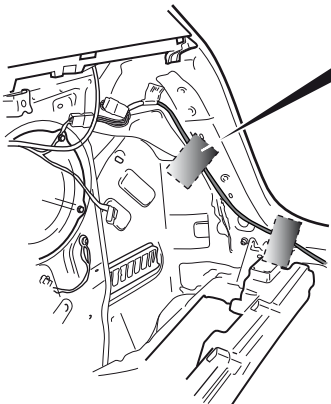
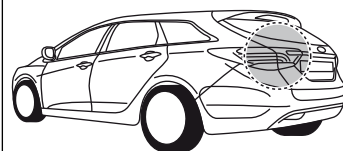


11

Wagon+Sedan

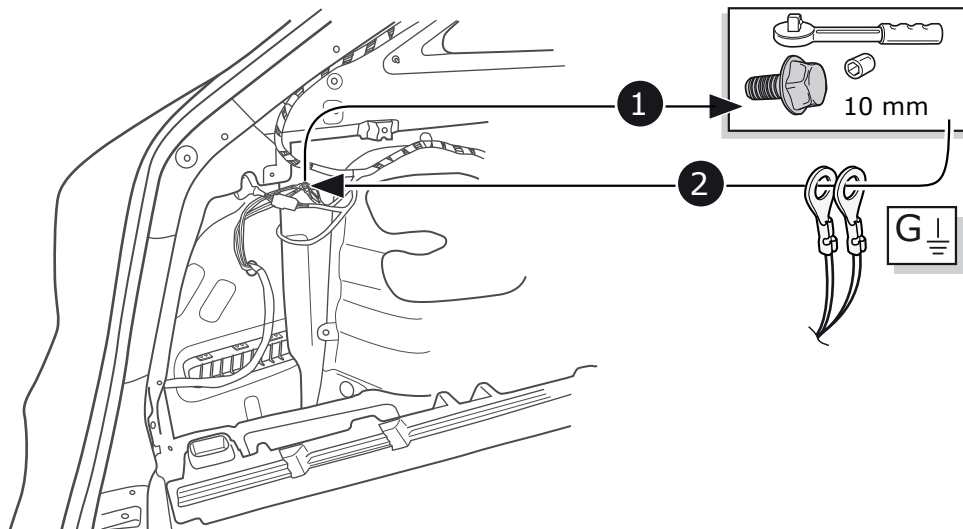
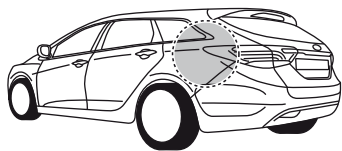


Wagon+Sedan



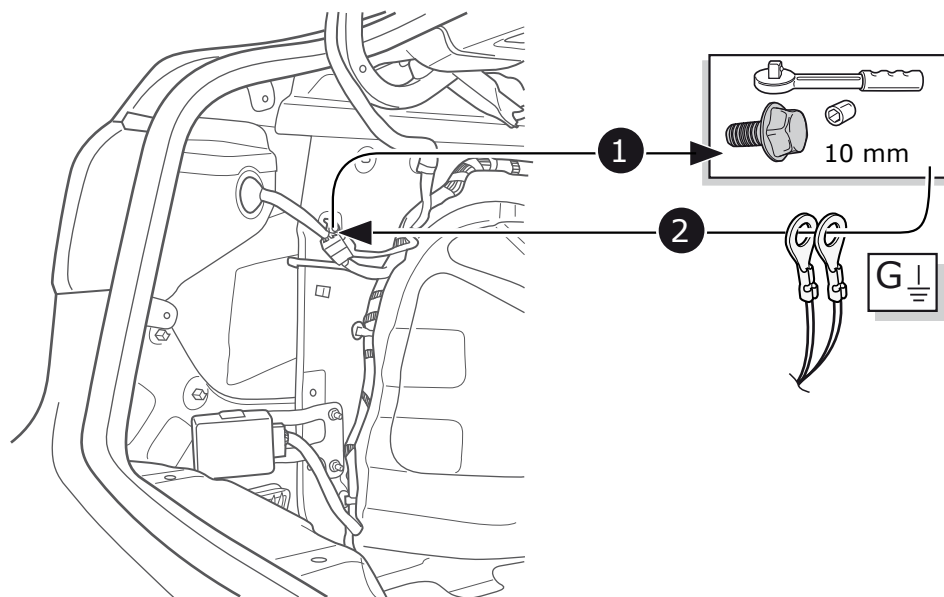
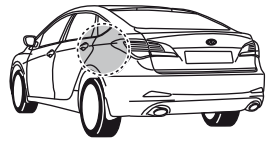
12

Wagon

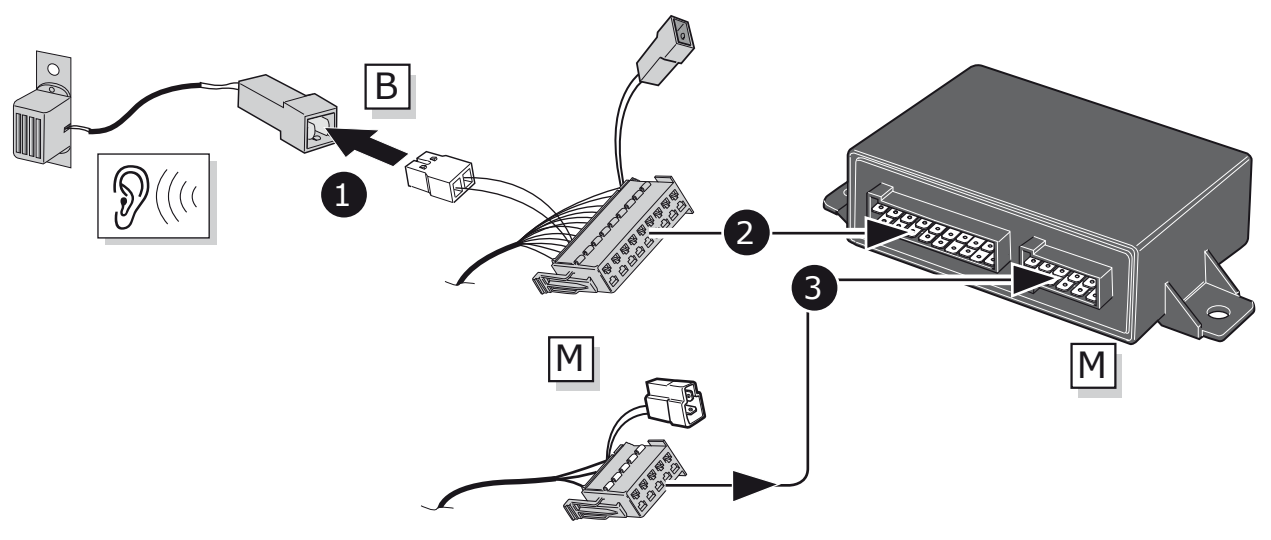


13

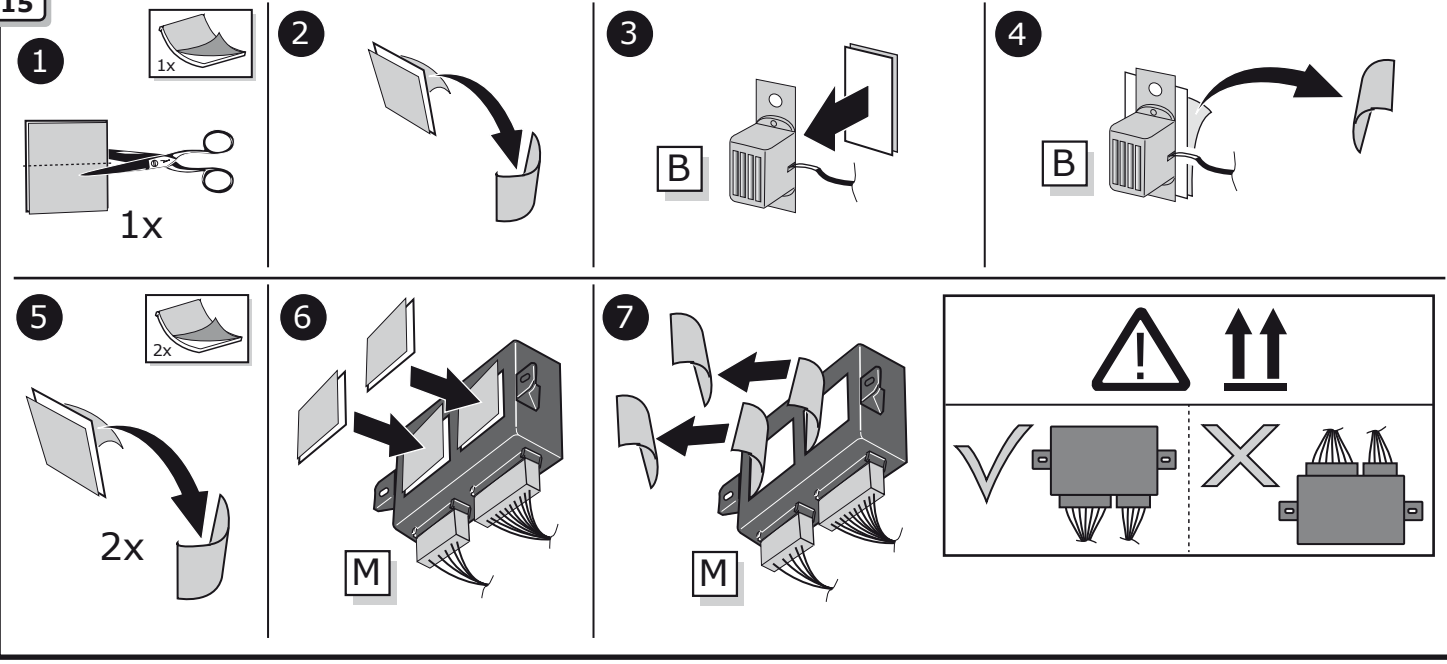
Sedan



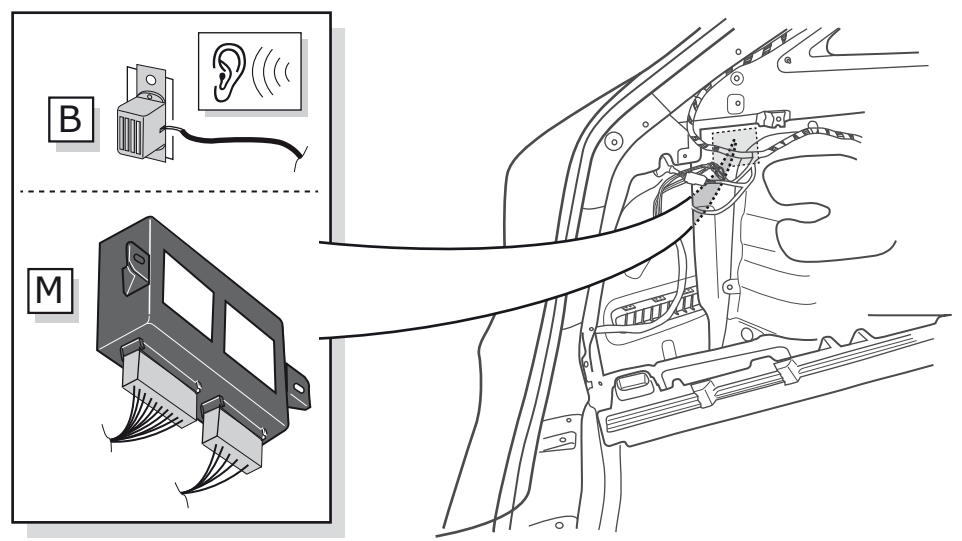
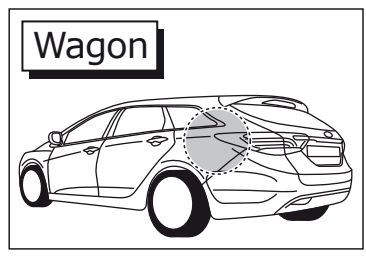
14



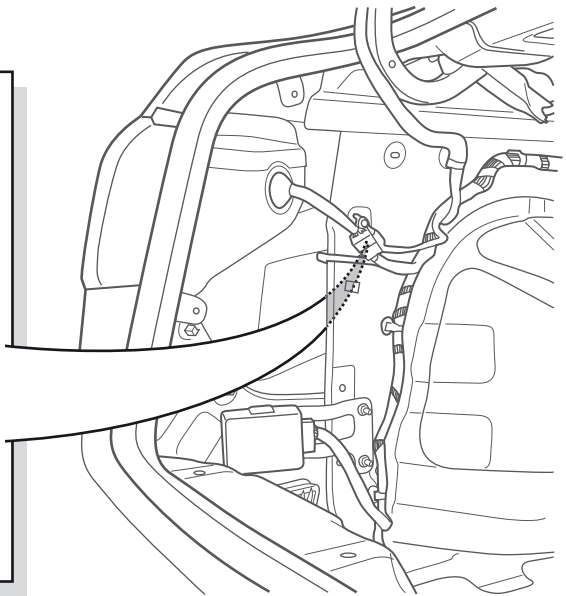
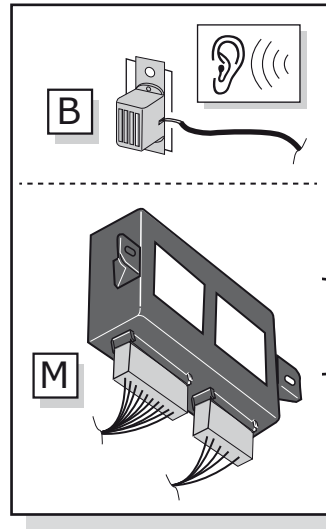
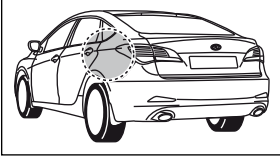
15



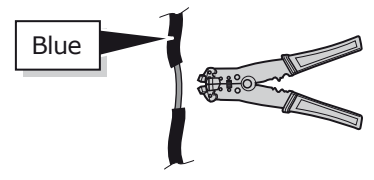
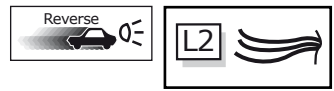
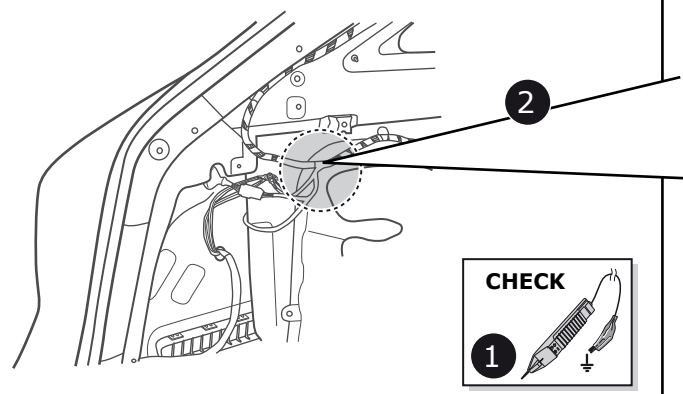
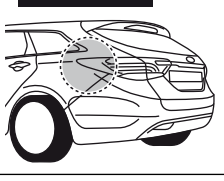
16



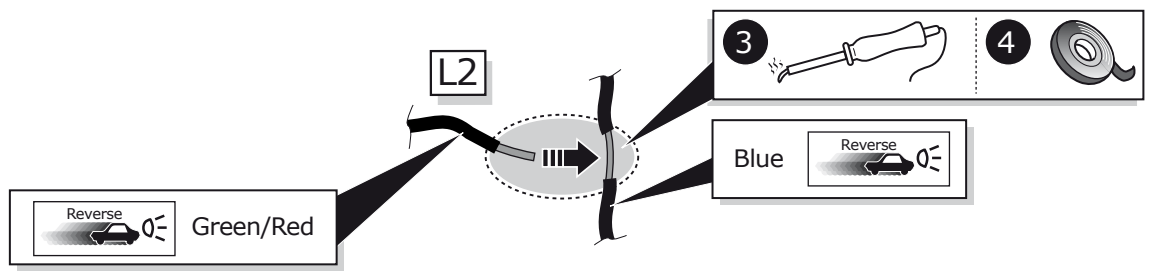
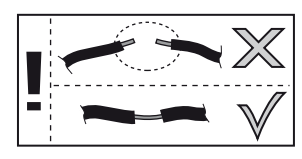
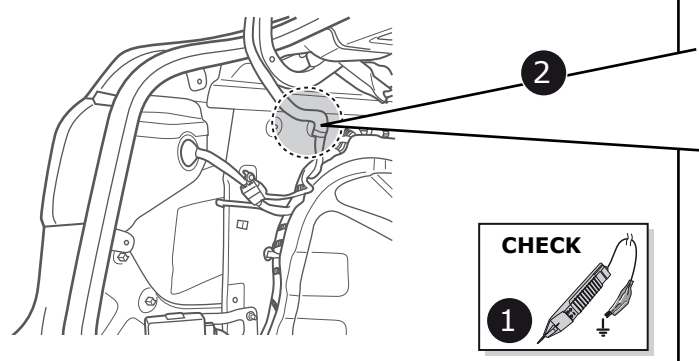
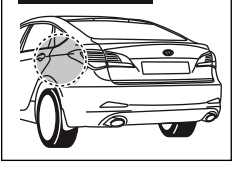
Sedan

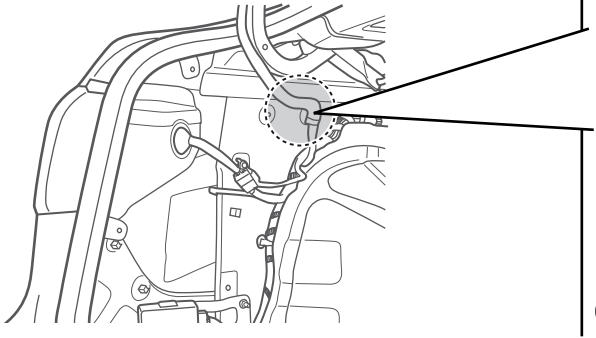
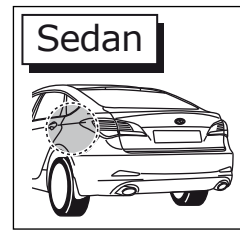
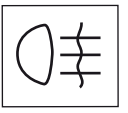
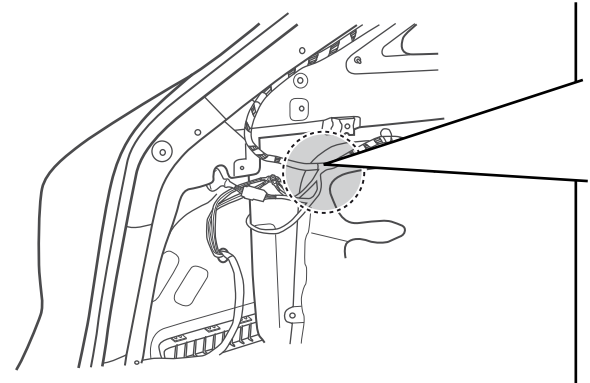
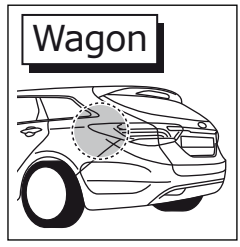


Wagon

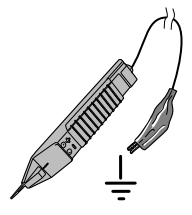


Sedan

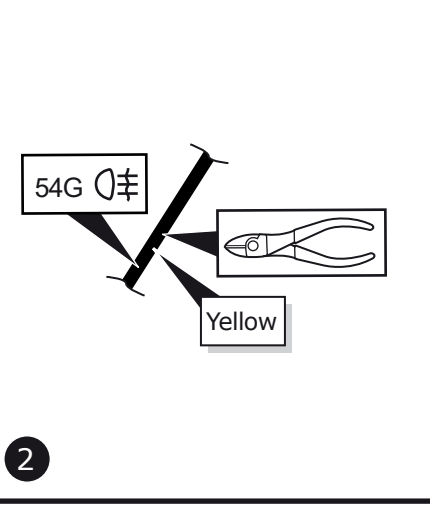




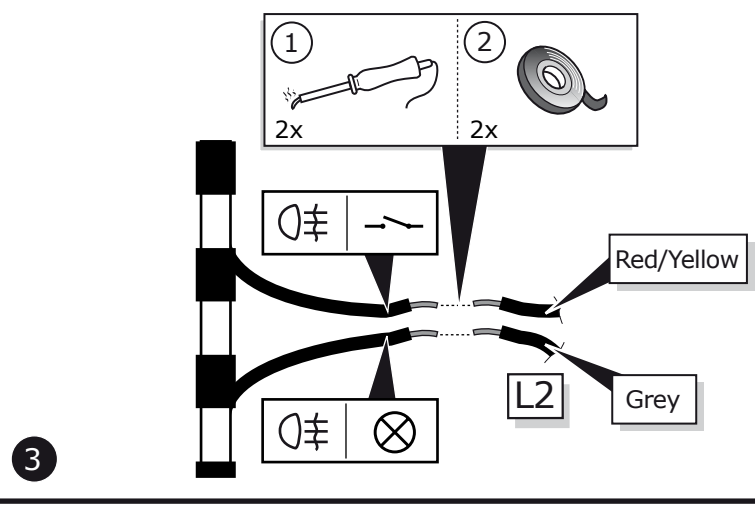
Yellow



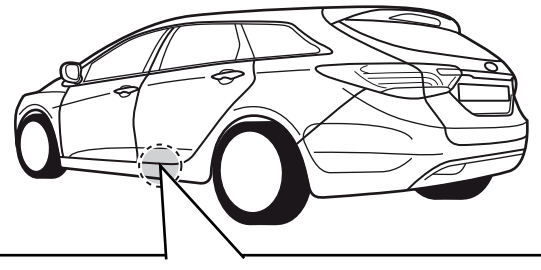
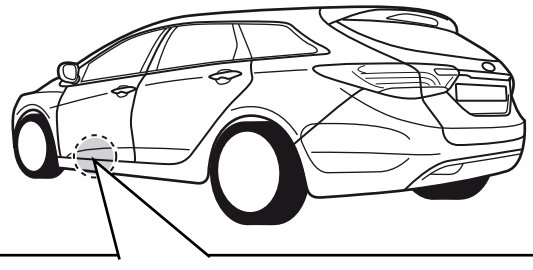
1



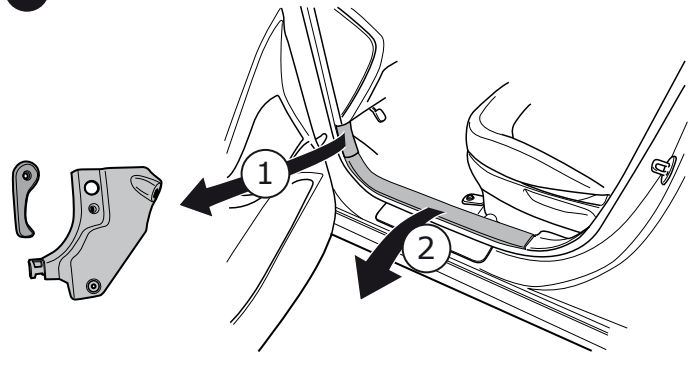
2



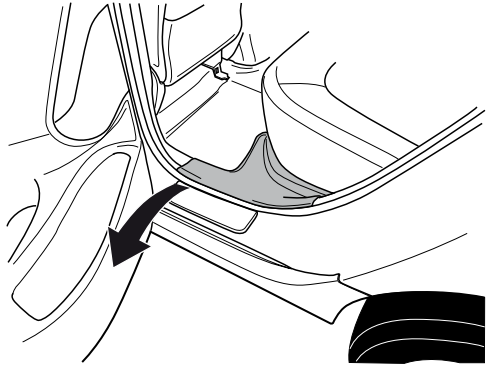
3



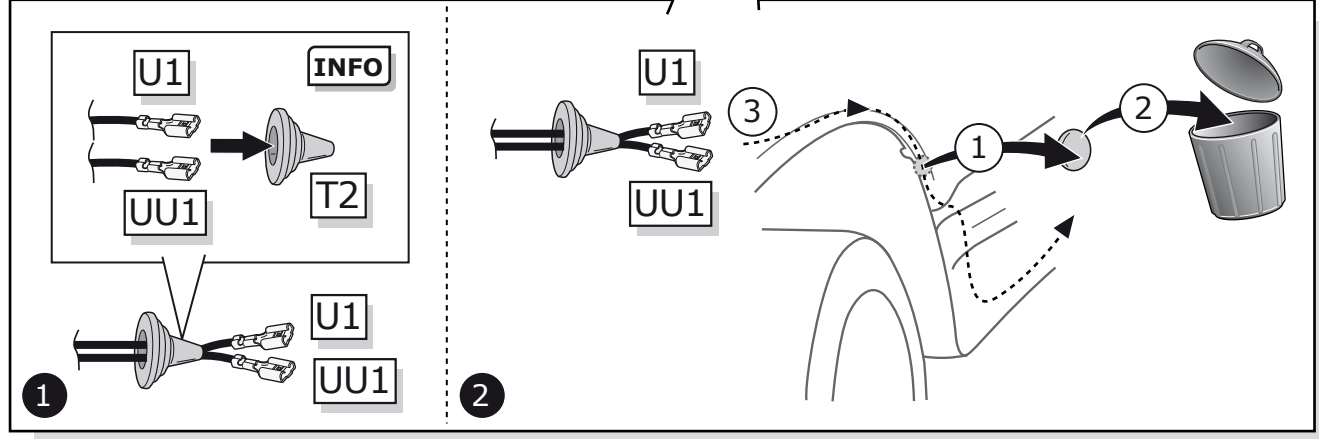
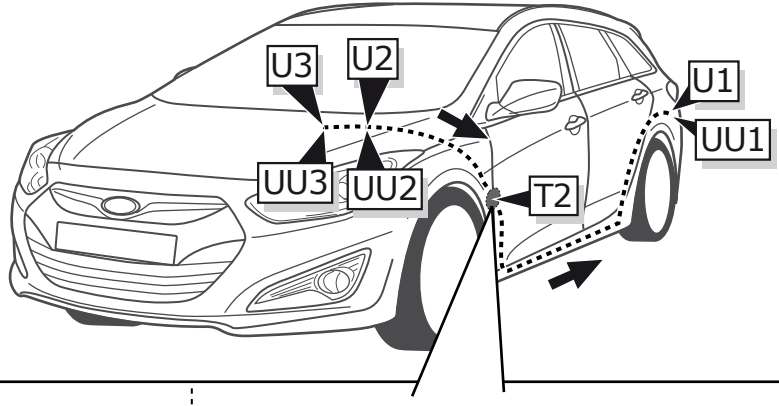
1



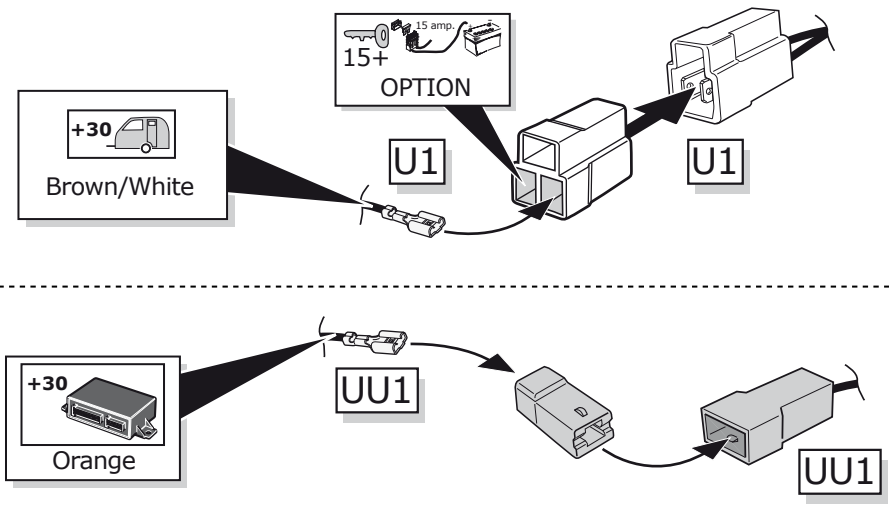
2



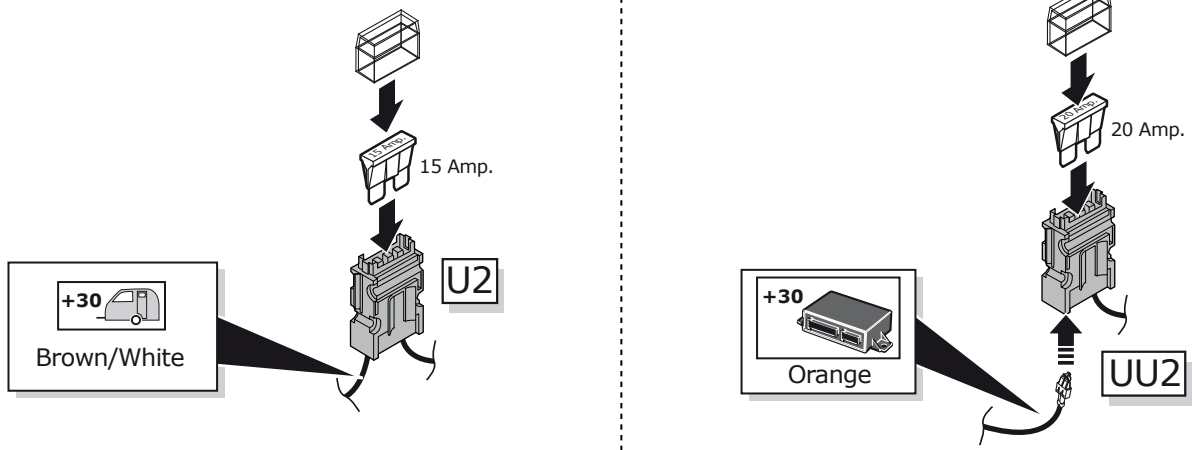
21



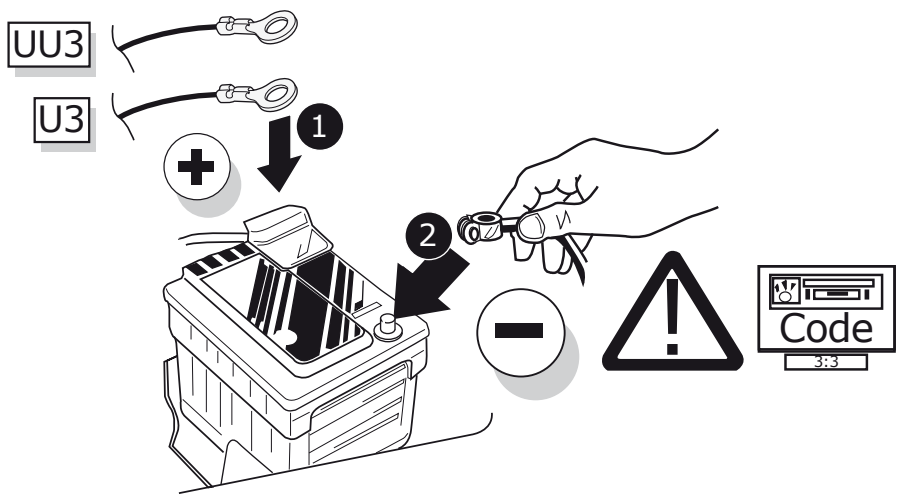
22



23



24



25

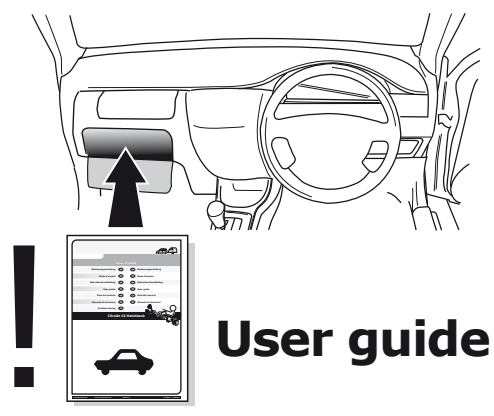


TEST ALL THE CIRCUITS WITH A TEST DEVICE WITH THE CORRECT POWER LOAD FOR EACH FUNCTION. A TEST DEVICE WITH LED'S CANNOT BE USED FOR THIS PURPOSE.

INFO

REINSTALL TRIM.

26





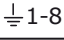







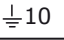

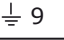
TECHNICAL SUPPORT

CALL  
07440  
202  
052

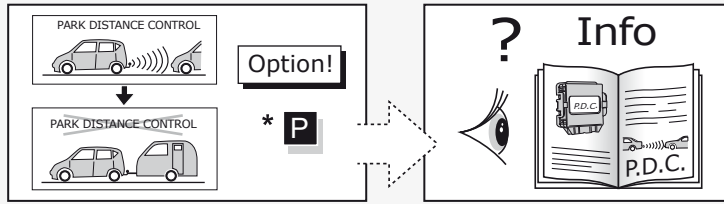
MONDAY TO FRIDAY  
08.00 - 11.00 am  
12.00 - 05.00 pm  
ukts@ecs-electronics.com  
www.ecs-electronicsuk.co.uk

**ECS**  
ELECTRONICS

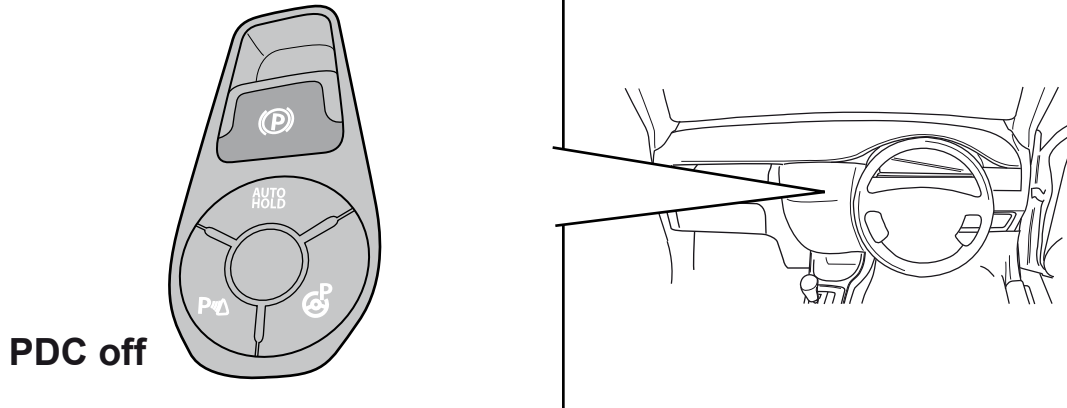
## SOCKET CONNECTION

DIN/ISO 11446													
	1/L	2	3/31	4/R	5/58-R	6/54	7/58-L	8	9	10	11	12	13
Pmax	21W	21W		21W	42W	3x21W	42W	21W	180W/15Amp	180W/15Amp			
Colour	Yellow	Blue	White	Green	Brown	Red 1,00 mm <sup>2</sup>	Black	Black/ Red	Brown/ White	Red 2,50 mm <sup>2</sup>	White	-	White

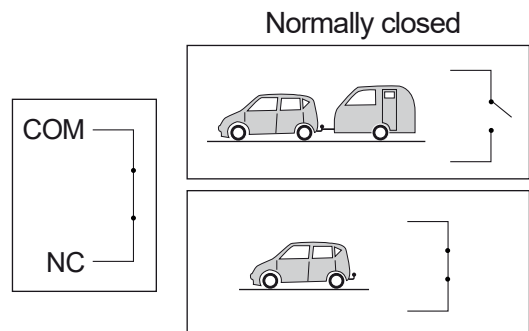
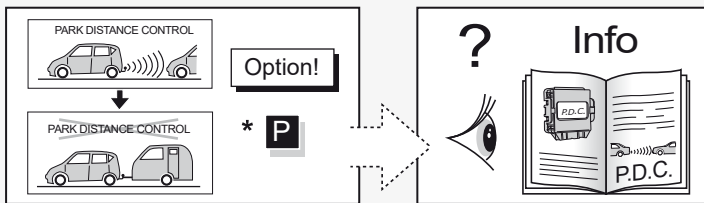
### Option 1



### For OEM installed PDC systems



### Option 2



### For aftermarket installed PDC systems

