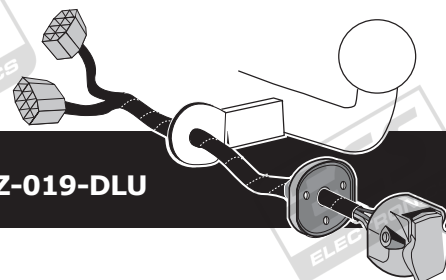


**Suzuki SX4 03/2006-
Fiat Sedici 12/2006-**

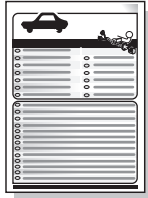
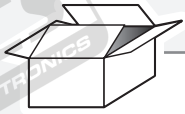
Partnr.: SZ-019-DLU



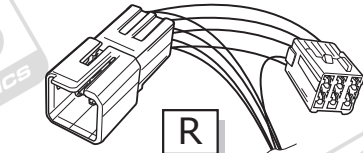
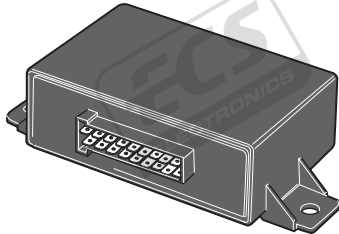
- Fitting instructions electric wiring kit tow bar with 13-P socket up to DIN/ISO Norm 11446.
- We would expressly point out that assembly not carried out properly by a competent installer will result in cancellation of any right to damage compensation, in particular those arising by virtue of the product liability act.
- Contents of these kits and their fitting manuals are subject to alteration without notice, please ensure that these instructions are read and fully understood before commencing installation.
- Do not overload circuits; the maximum loads per connection are detailed in this manual.
- Attention! Before Installation, please read this manual carefully and inform your customer to consult the vehicle owners manual to check for any vehicle modifications required before towing.
- In the event of functional problems, troubleshooting must be limited to about 0.5 hours, contact the technical support:
t.skinner@ecs-electronics.com / 07440 202 052.



Part list



M

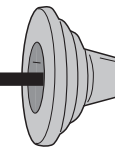
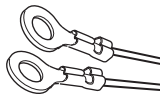


R

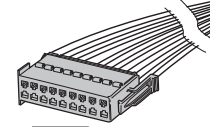


1x

*

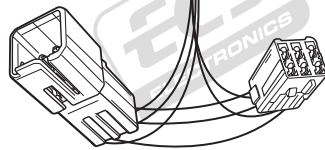


T

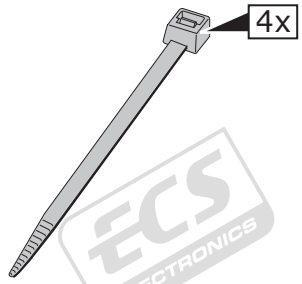


M

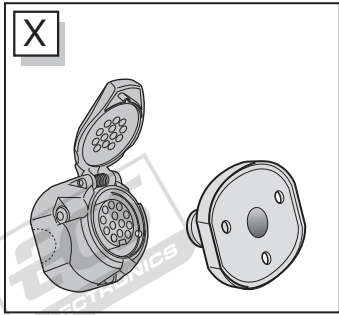
X



L

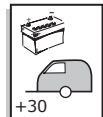


4x

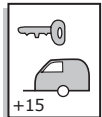


X

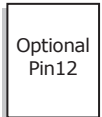
* OPTION
+30/+15
preparation for



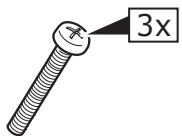
Brown/White



Red



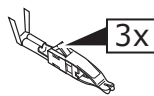
Red/Blue



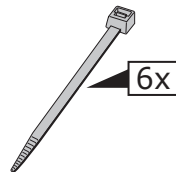
3x



3x

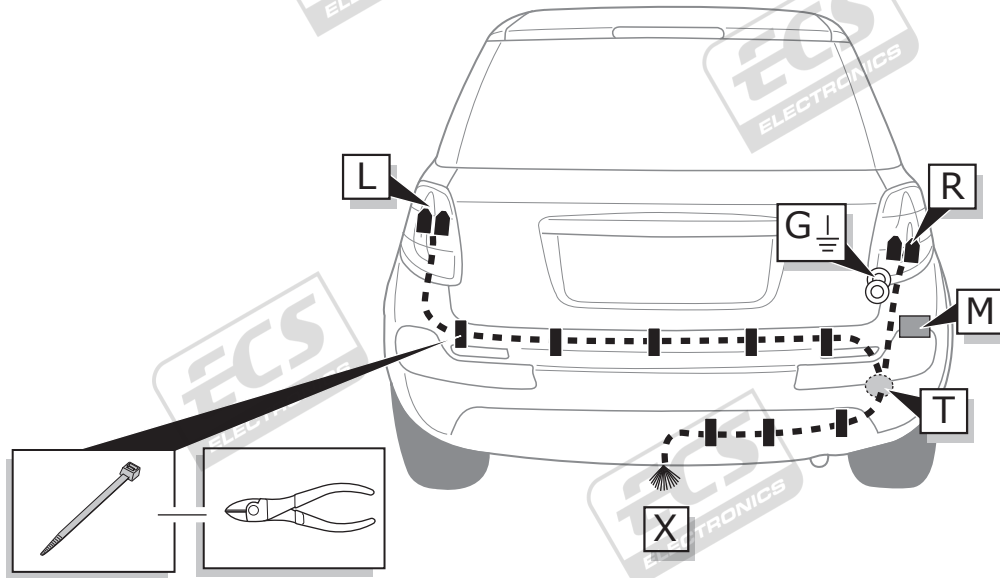


3x

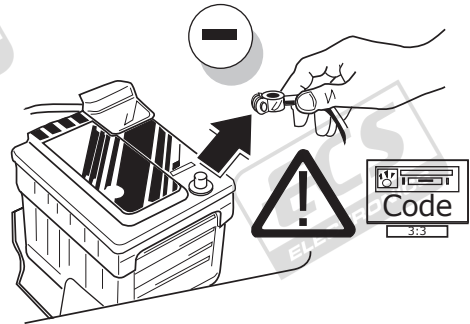
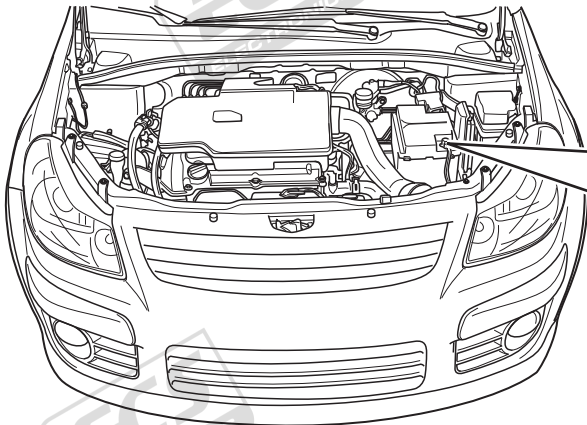


6x

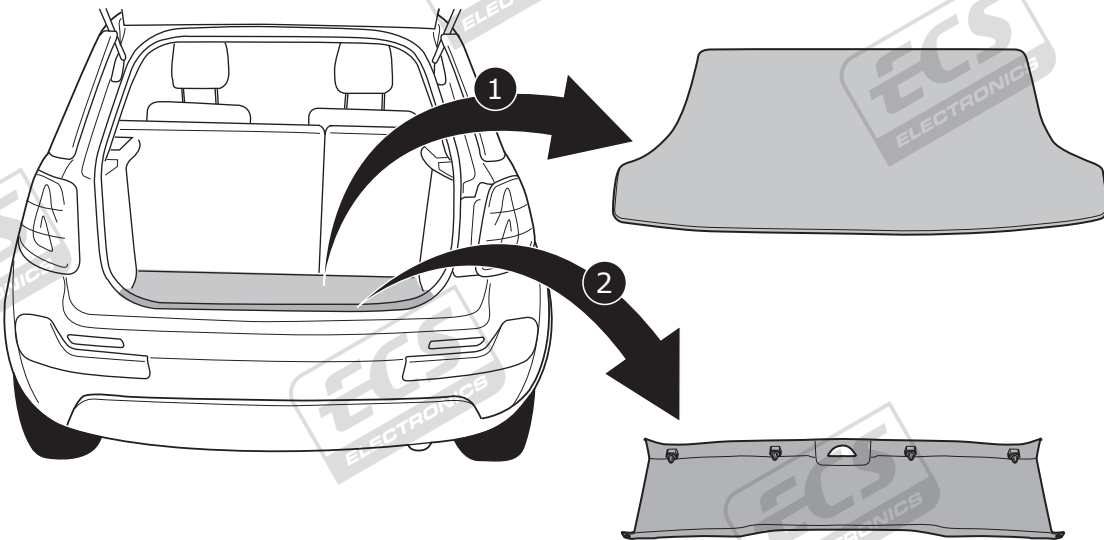
ROUTING



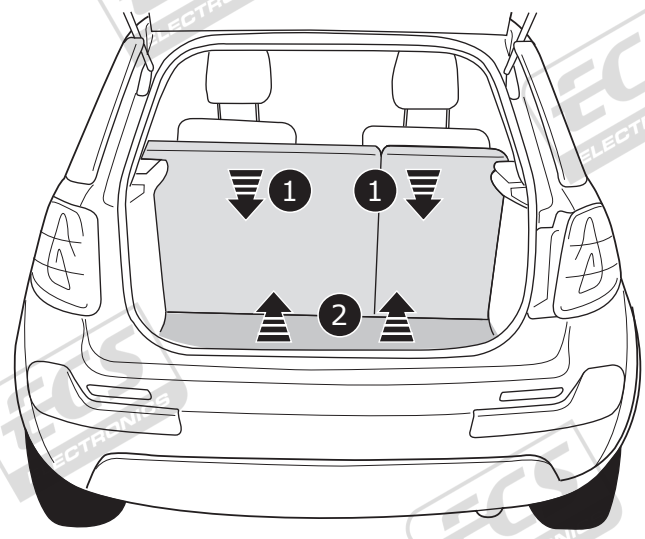
1



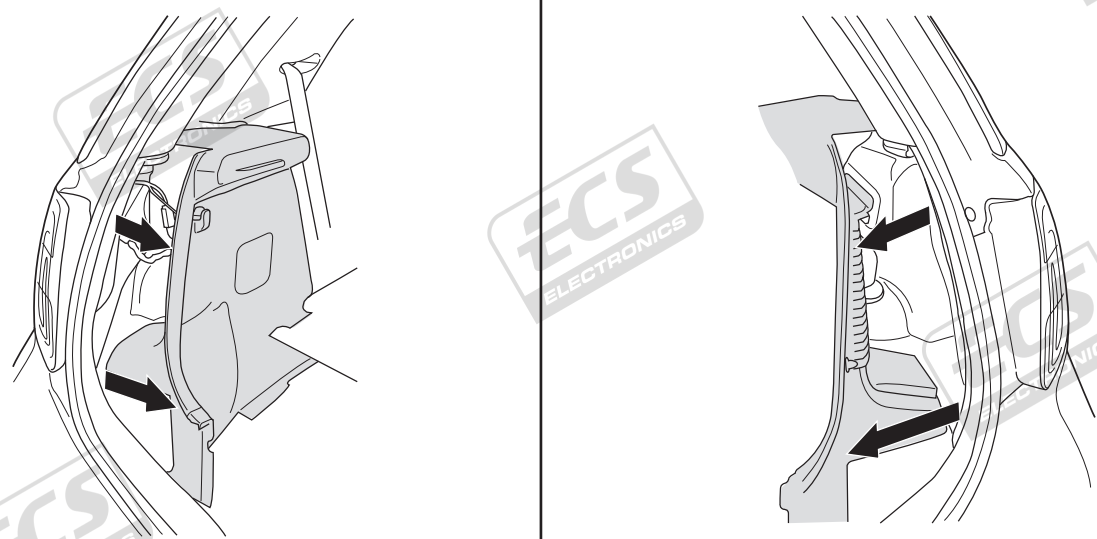
2



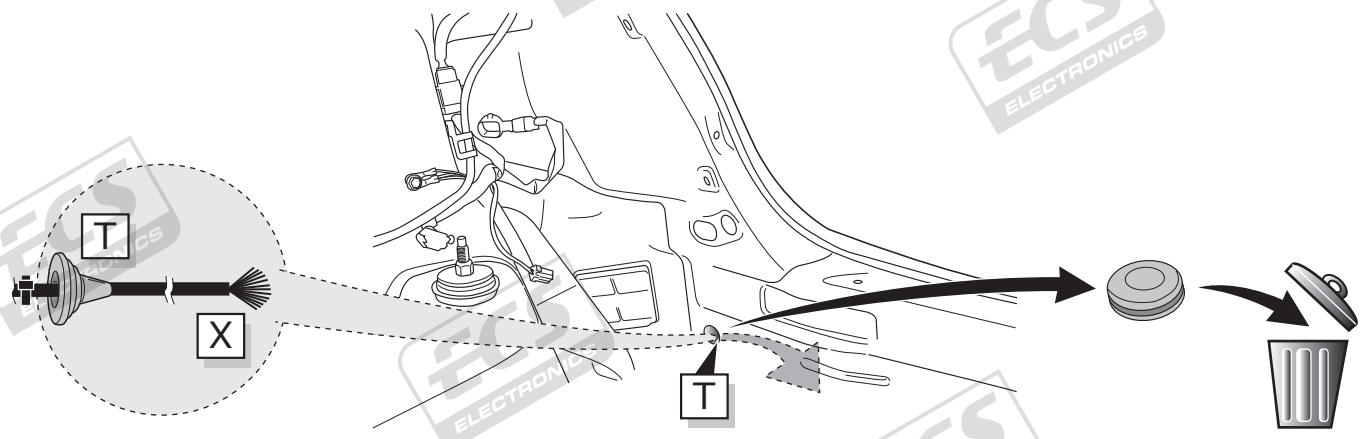
3



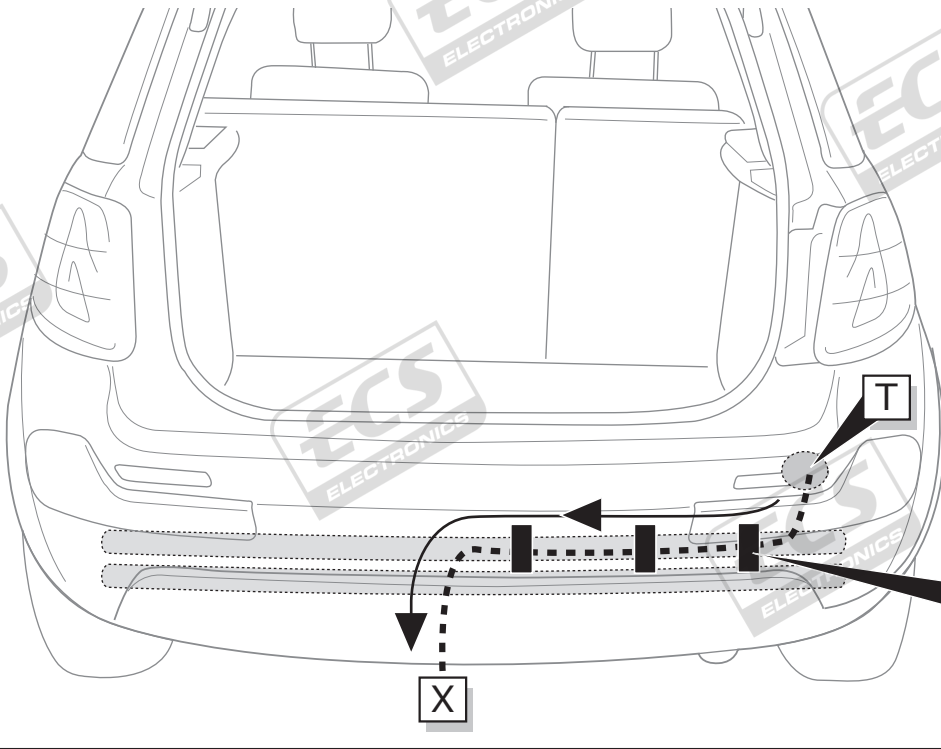
4



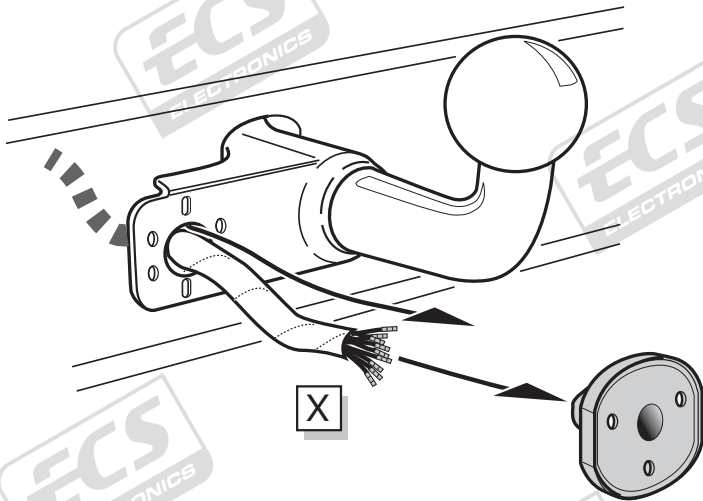
5



6



A



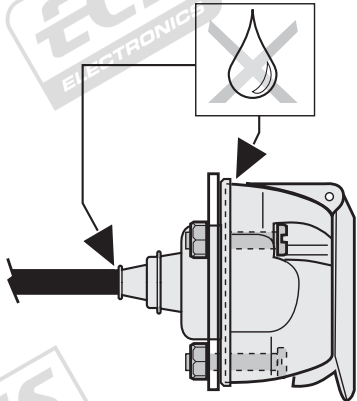
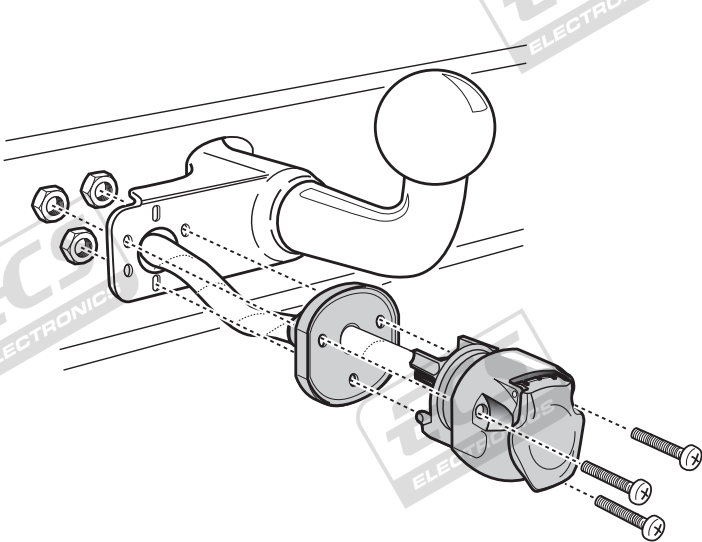
INFO

SOCKET CONNECTION

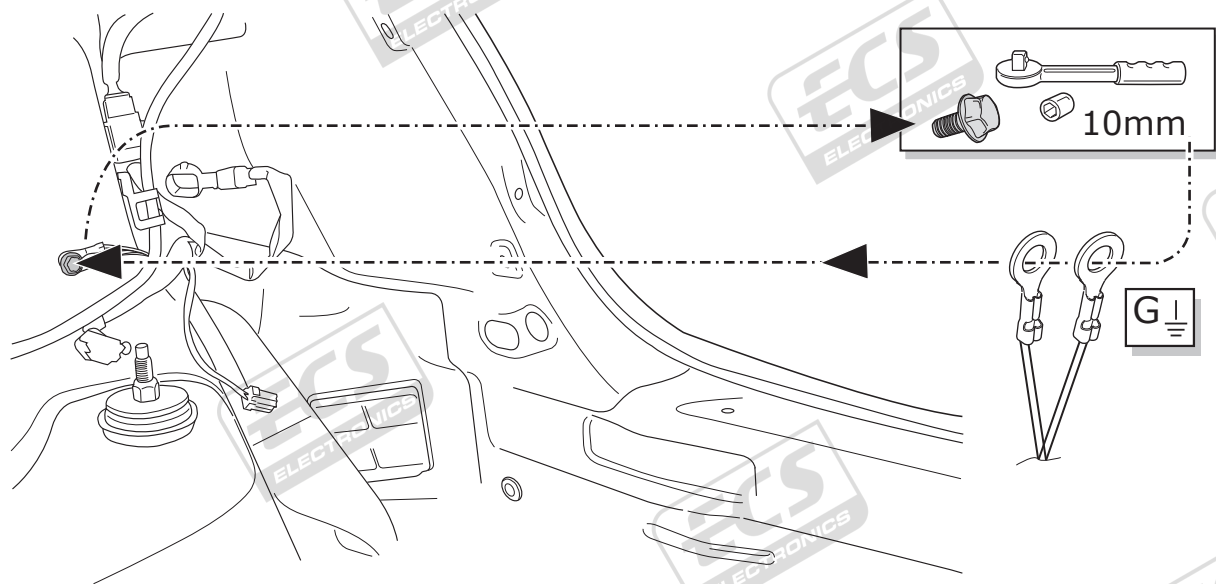


Pag. 8

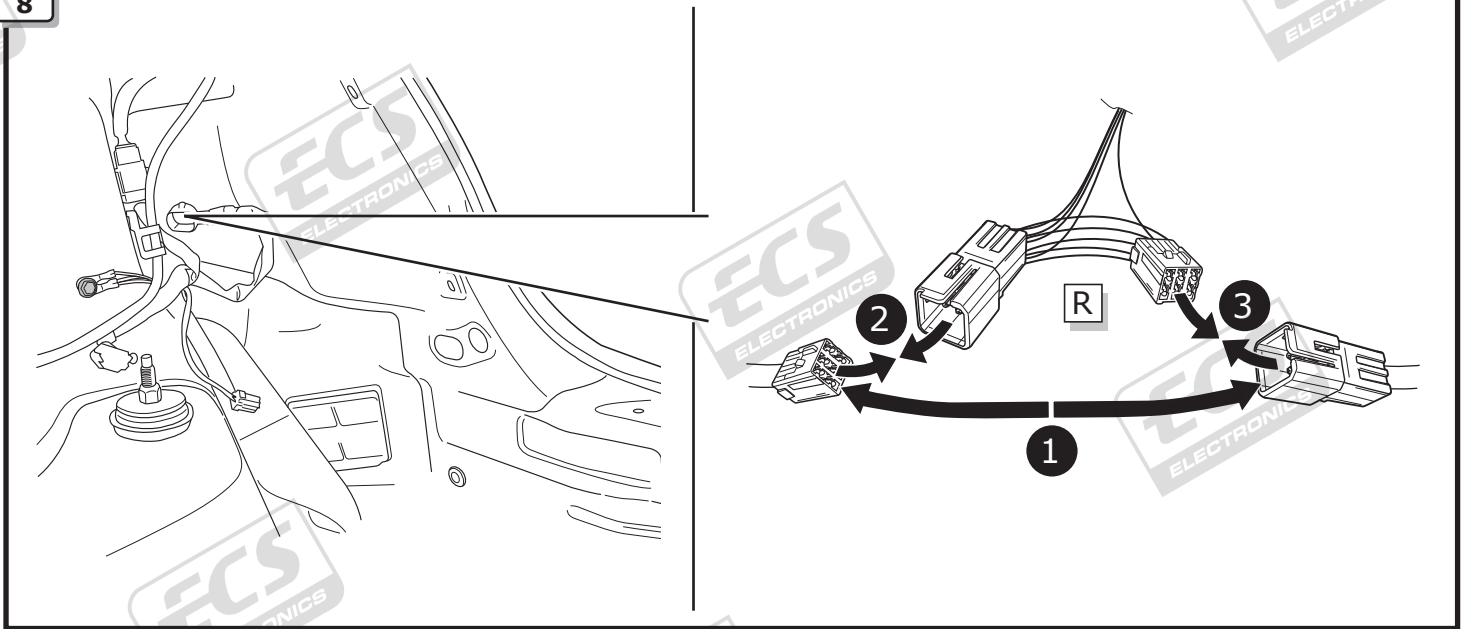
B



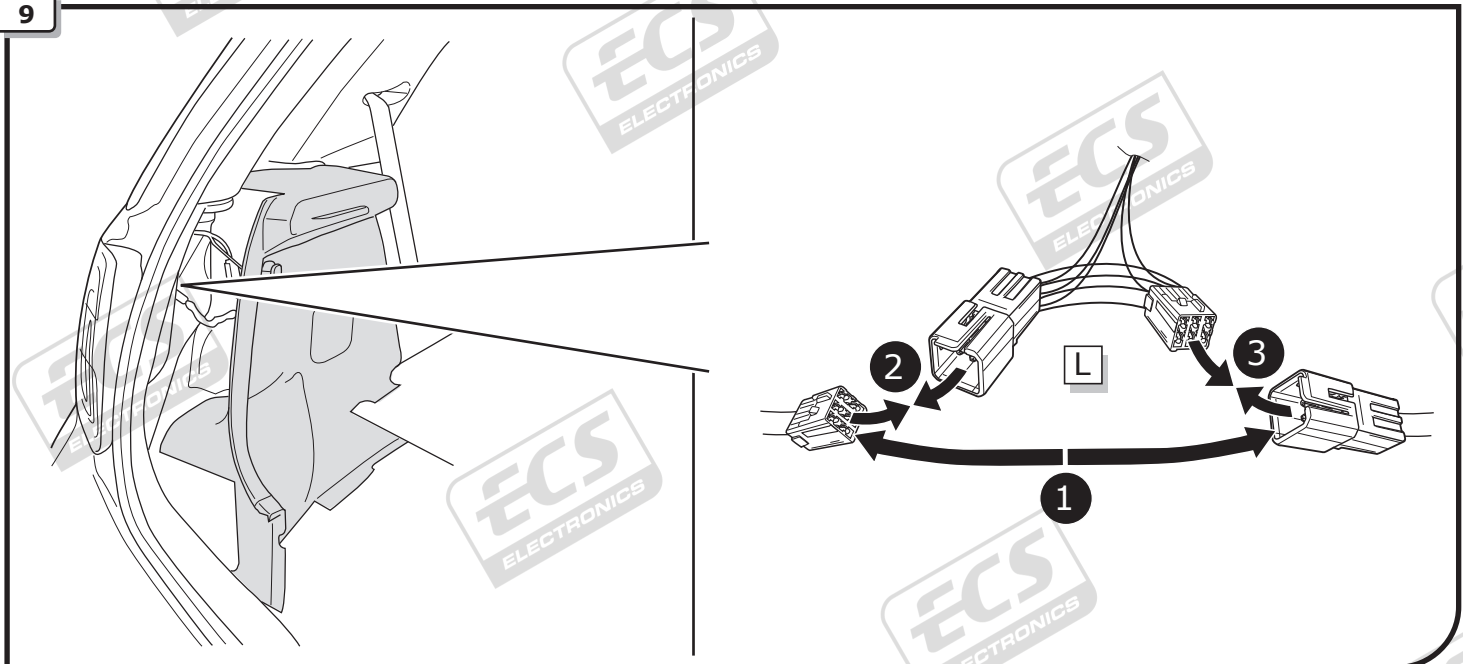
7



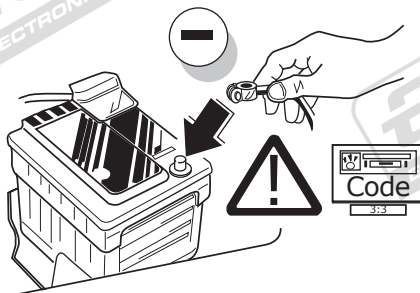
8



9



12



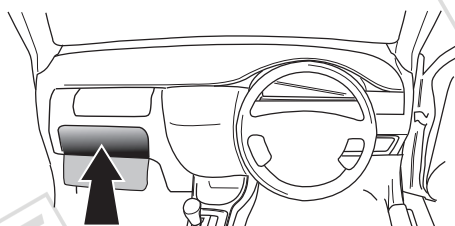
13

TEST ALL THE CIRCUITS WITH A TEST DEVICE WITH THE CORRECT POWER LOAD FOR EACH FUNCTION. A TEST DEVICE WITH LED'S CANNOT BE USED FOR THIS PURPOSE.

INFO

REINSTALL TRIM.

14



User guide

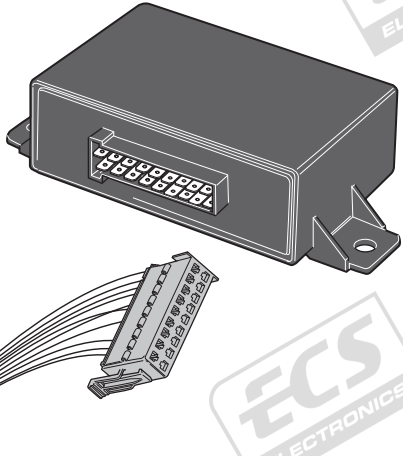


INFO

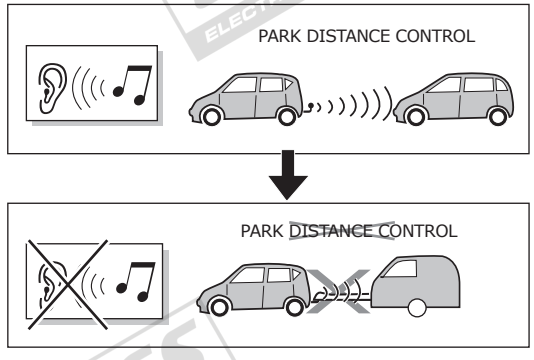
SOCKET CONNECTION

DIN/ISO 11446														
Pmax	21W	2x21W			21W	52W	3x21W	52W	2x21W	180W/15Amp	180W/15Amp			
Colour	Yellow	Blue	Grey	White	Green	Brown	Red 1,00 mm ²	Black	Black/ Red	Brown/ White	Red 2,50 mm ²	White	Red/ Blue	White

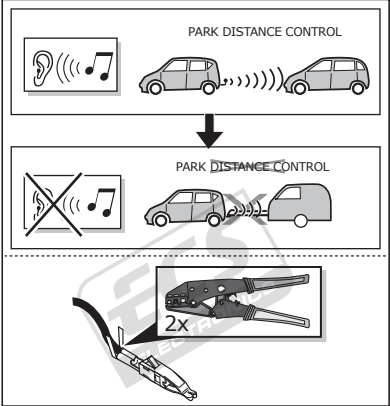
INFO



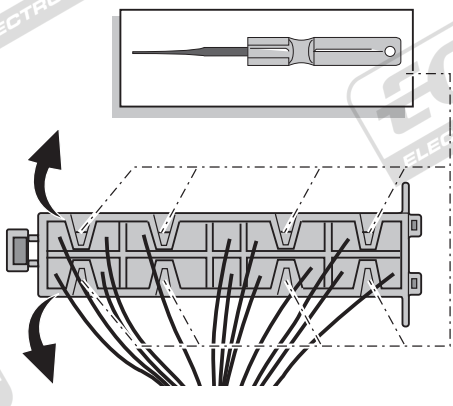
Option



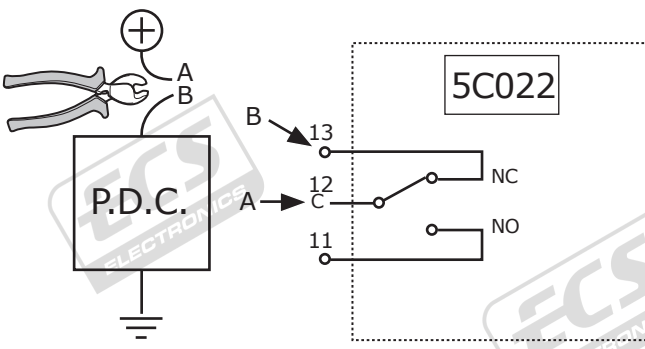
1



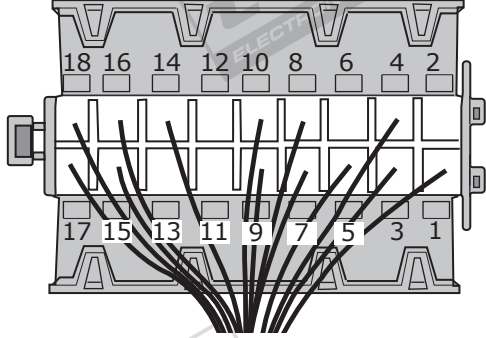
2



3



12 = C
 11 = NO
 13 = NC



4

